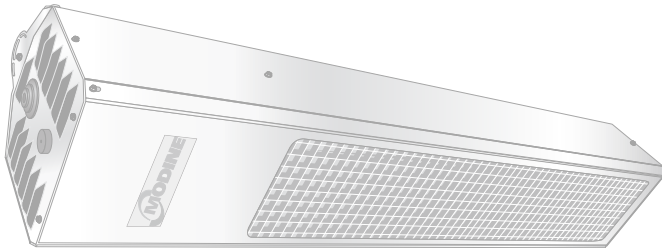




9-513

October 2016

**INSTALLATION AND SERVICE MANUAL
High Intensity Gas Fired Infrared Unit Heaters
Model OHP, Control Codes 48 and 98**



INSTRUCTIONS APPLY TO:

- Installation Operation Maintenance

▲ WARNING ▲

Improper installation, adjustment, alteration, service or maintenance can cause property damage, injury or death. Read the installation, operating, and service/maintenance instructions thoroughly before installing or servicing this equipment.

HAZARD INTENSITY LEVELS

- **DANGER:** Failure to comply will result in severe personal injury or death and property damage
- **WARNING:** Failure to comply could result in severe personal injury or death and/or property damage.
- **CAUTION:** Failure to comply could result in minor personal injury and/or property damage.

▲ WARNING ▲

Gas-Fired appliances are not designed for use in hazardous atmospheres containing flammable vapors or combustible dust, or atmospheres containing chlorinated or halogenated hydrocarbons.

CONTENTS

Section	Page
1. Safety	3
2. Installation	9
3. Operation	20
4. Maintenance	21
5. Parts	26
6. Limited Warranty.....	28

FOR YOUR SAFETY

The use and storage of gasoline or other flammable vapors and liquids in the vicinity of this appliance is hazardous.

These heaters must NOT be used in the following applications:

- Enclosed swimming pool areas
- Areas with contaminated atmospheres.
- Areas requiring explosion-proof equipment.
- Process heating applications.

FOR YOUR SAFETY

If you smell gas:

1. Open Windows.
2. Do not touch electrical Switches.
3. Extinguish any open flame.
4. Immediately call your gas supplier.
5. If gas supplier cannot be reached, call fire department.

ATTENTION

Mount a copy of these instructions adjacent to the heater and retain a copy for future reference.

Contents

1.0 Safety	3
Safety Symbols	3
Applications	3
Clearance to Combustibles	4
Standards, Certifications and Government Regulations	6
Safety Signs and Labels	8
2.0 Installation	9
Design	9
Heater Mounting	10
Recommended Mounting Heights	11
Gas Supply	13
Gas Connection	14
Leak Testing	16
Electrical Requirements	17
Wiring Diagrams	18
Ventilation	19
3.0 Operation	20
Sequence of Operation	20
4.0 Maintenance	21
Periodic Maintenance	21
Service Access Panel Removal	22
Troubleshooting Guide	23
Maintenance Log	24
5.0 Parts	26
6.0 Limited Warranty	28

1.0 Safety

⚠ WARNING



Improper installation, adjustment, alteration, service, or maintenance can cause property damage, serious injury, or death. Read and understand the installation, operating, and maintenance instructions thoroughly before installing or servicing this equipment. Only trained, qualified gas installation and service personnel may install or service this equipment.

Safety Symbols

Safety is the most important consideration during installation, operation and maintenance of the infrared heater. You will see the following symbols and signal words when there is a hazard related to safety or property damage.

⚠ DANGER

Danger indicates a hazardous situation which, if not avoided, will result in death or serious injury.

⚠ WARNING

Warning indicates a potentially hazardous situation which, if not avoided, could result in death or injury.

⚠ CAUTION

Caution indicates a potentially hazardous situation which, if not avoided, could result in minor or moderate injury.

NOTICE

Notice indicates a potentially hazardous situation which, if not avoided, could result in property damage.

Applications

This is not an explosion proof heater. Consult your local fire marshal, insurance carrier, and other authorities for approval of the proposed installation.

Commercial / Industrial

This patio heater is specifically designed to provide heated comfort in an outdoor environment. When properly integrated into a patio design, the heaters generally increase comfort levels.

Outdoor Residential

This heater may only be used in outdoor residential applications and is NOT approved for use in any indoor residential application. This includes, but is not limited to, attached garages, living quarters, solariums, etc. Consult the local fire marshal and/or insurance provider if unsure of your application.

⚠ WARNING



Not For Indoor Residential Use. Installation of an infrared heater system in residential indoor spaces may result in property damage, serious injury, or death. In residential applications this heater may only be used outdoors.

Clearance to Combustibles

⚠ WARNING



Placement of explosive objects, flammable objects, liquids, and/or vapors close to the heater may result in explosion, fire, property damage, serious injury, or death. Do not store, or use, explosive objects, liquids, and/or vapor in the vicinity of the heater.

Failure to comply with the published clearances to combustibles could result in personal injury, death, and/or property damage.

A critical safety factor to consider before installation is the clearances to combustibles. Clearance to combustibles is defined as the minimum distance you must have between the infrared surface, or reflector, and the combustible item. Considerations must also be made for moving objects around the infrared heater. The following is a partial list of items to maintain clearances from:

Combustible items:

- Wood
- Paper
- Fabric
- Chemicals
- Wall or roof insulation

Moving Objects:

- Overhead doors
- Vehicle lifts
- Cranes
- Hoists
- Car wash equipment

Hazards:

For maximum safety the building must be evaluated for hazards before installing the heater system. Examples include, but are not limited to:

- Gas and electrical lines
- Combustible and explosive materials
- Chemical storage areas
- Areas of high chemical fume concentrations
- Provisions for accessibility to the heater
- Adequate clearances around air openings
- Combustion and ventilating air supply
- Vehicle parking areas
- Vehicles with lifts or cranes
- Storage areas with stacked materials
- Lights
- Sprinkler heads
- Overhead doors and tracks
- Dirty, contaminated environment

⚠ CAUTION



In locations used for the storage of combustible materials, signs must be posted to specify the maximum permissible stacking height to maintain the required clearances from the heater to the combustibles. Signs must either be posted adjacent to the heater thermostats or, in the absence of such thermostats, in a conspicuous location.

Children and adults should be alerted to the hazards for high surface temperatures and should stay away to avoid burns or clothing ignition.

Young children should be carefully supervised when they are in the same space as the heater.

Clothing or other flammable materials should not be hung from the heater, or placed on or near the heater.

Any guard or other protective device removed for servicing the heater must be replaced prior to operating the heater.

Installation and repair should be done by a qualified service person. The heater should be inspected before use and at least annually by a qualified service person. More frequent cleaning may be required as necessary. It is imperative that the control compartment, air passageways, and burner of the heater are kept clean.

When installing the infrared heater system, the minimum clearances to combustibles must be maintained. These distances are shown in Chart 1.1 and on the heater. If you are unsure of the potential hazards, consult your local fire marshal, fire insurance carrier, or other qualified authorities on the installation of gas fired infrared heaters for approval of the proposed installation.

Chart 1.1 • Clearance to Combustibles in Inches (see Figure 1.1)

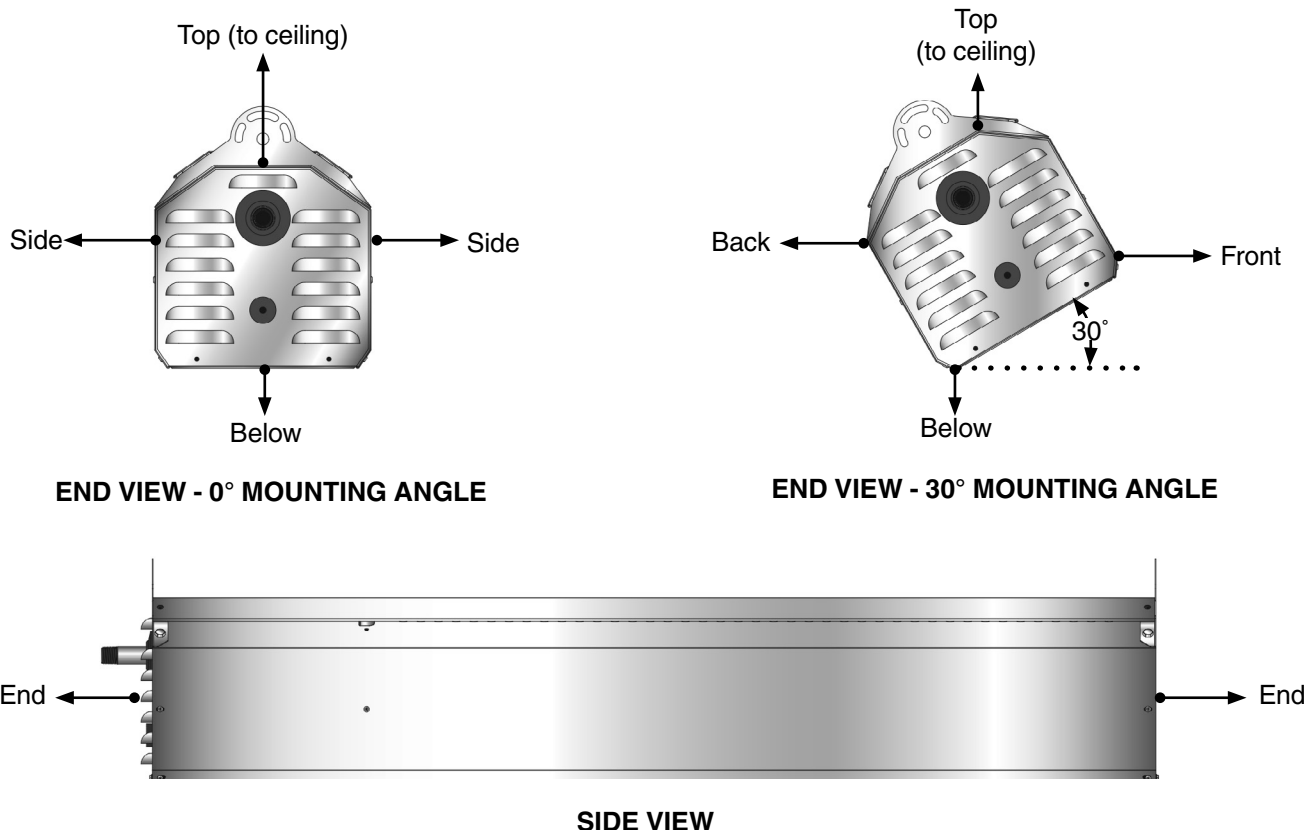
Model No.	BTU/h	Voltage	Mounting Angle*	Sides	Back	Top	Below	Ends	Front
OHP 31S	31,000	24 VAC	0°	18	N/A	13	48	12	N/A
			30°	N/A	18	18	40	12	36
OHP 34S	34,000	24 VAC	0°	18	N/A	13	48	12	N/A
			30°	N/A	18	18	40	12	36

* Heaters mounted on an angle between 1° to 30° must maintain clearances posted for 0° or 30°; whichever is greater.

Important! If the heater is mounted beneath a non-combustible surface, an 8 in. minimum top clearance must be maintained from the top of the heater to prevent overheating the controls.

Clearance to combustible distances represent a surface temperature of 90°F (50°C) above ambient temperature. Ensure that building materials with a low heat tolerance (i.e. awnings, fabrics, plastics, sprinklers, insulation) are protected against degradation. This may require the heater to be mounted at a distance in excess of the published clearances to combustibles. Contact the factory or the building material manufacturer for additional information.

Figure 1.1 • Clearance to Combustibles



Standards, Certifications and Governmental Regulations

The installation of this heater must comply with all applicable local, state, and national specifications, regulations and building codes (contact the local building inspector and/or fire marshal for guidance) before installing the heater system.

In the absence of local codes, the installation must conform to the latest edition of the National Fuel Code ANSI Z223.1 (NFPA 54).

Refer to the following standards and codes for application specific guidelines:

Public Garages:

The installation of this heater in public garages must conform with the Standard for Parking Structures, ANSI/NFPA 88A (latest edition), and must be at least 8 ft. above the floor.

Aircraft Hangars:

The installation of this heater in aircraft hangars must conform with the Standard for Aircraft Hangars, ANSI/NFPA 409 (latest edition). The heater must be installed at least 10 ft. above the upper wing surfaces and engine enclosures of the highest aircraft which might be stored in the hangar. In areas adjoining the aircraft storage area, the heaters must be installed at least 8 ft. above the floor. The heaters must be located in areas where they will not be subject to damage by aircraft, cranes, moveable scaffolding or other objects.

Gas Connection:

WARNING

An approved connector, suitable for the environment of equipment usage, is required. Visible or excessive swaying, flexing and vibration of the gas connections must be avoided to prevent failure. Neither the gas pipe nor the connector shall be placed in the flue discharge area or in direct contact with infrared rays. In no case shall the gas supply support or bear weight of the heater.

To ensure your safety, and to comply with the terms of the warranty, all units must be installed in accordance with these instructions. Under no circumstance should the gas supply line provide support to the heater.

The gas supply to the infrared patio heater must be connected and tested in accordance with national, state, provincial, and local codes along with the guidelines in the manual. In the United States refer to the latest edition of the ANSI Z223.1 (NFPA 54) Standard and in Canada, refer to the latest edition of the CAN/ CGA B149.1 Standard.

Supply gas piping to the unit should conform to the local and national requirements for type and volume of gas handled, and pressure drop allowed in the line. Avoid pipe sizes smaller than 1/2".

Electrical:

The heater, when installed, must be electrically grounded in accordance with the National Electrical Code ANSI/NFPA 70 (latest edition). Under no circumstances is the electrical supply line to provide any assistance in the suspension of the heater.

Ventilation:

This heater must be installed in accordance with the requirements set forth in this manual and with the NFPA 54/ANSI Z223.1 National Fuel Gas Code (latest edition). See ventilation requirements on page 19. OHP Series units comply or are certified by one or more of the following organizations or standards:

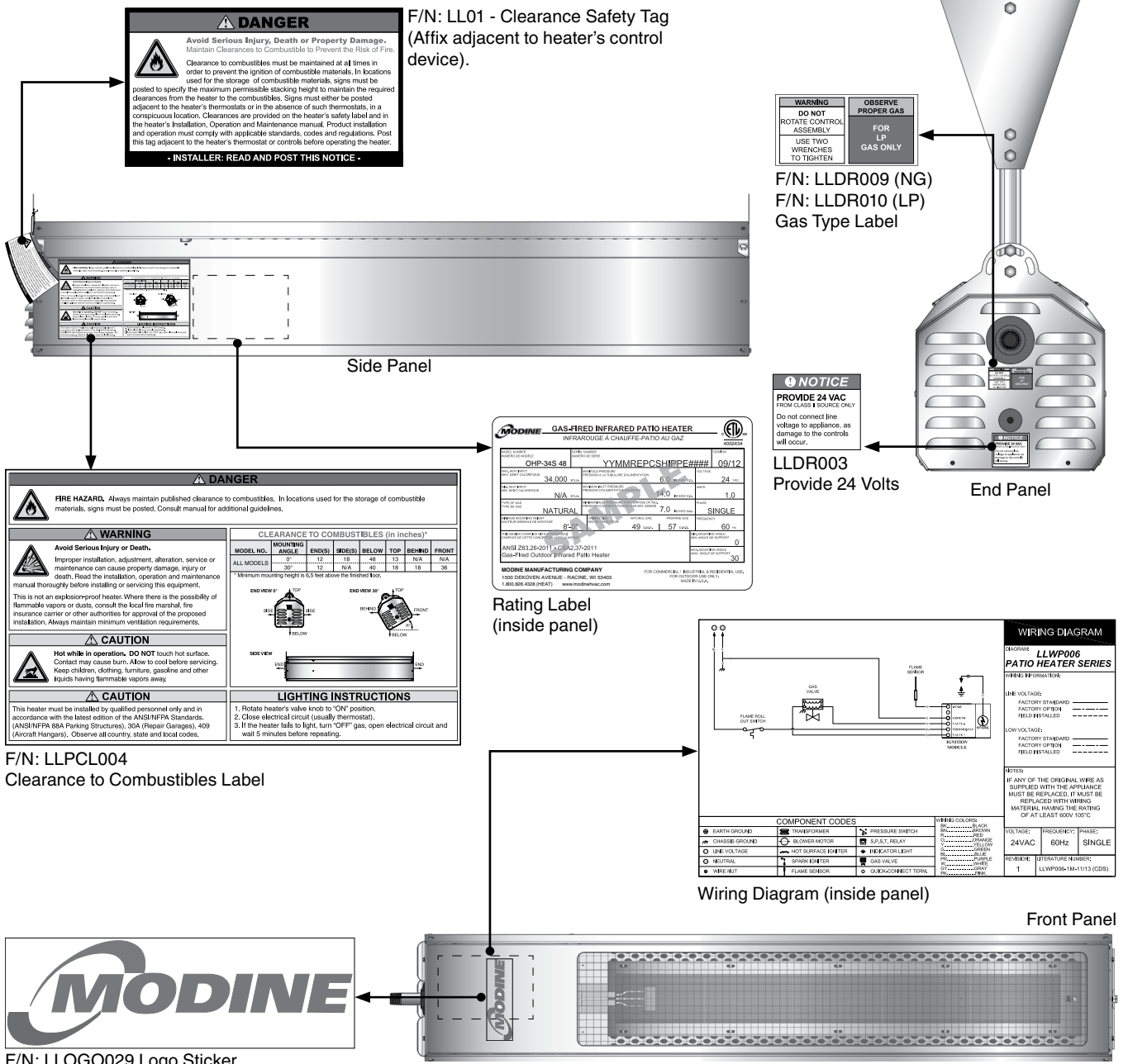
- CSA International Requirement (CSA 2.37).
- American National Standards Institute (ANSI Z83.26).
- Intertek (ETL)
- Occupational Safety and Health Act (OSHA).
- NFPA 54/ANSI Z223.1 - National Fuel Gas Code.
- NFPA 70/ANSI - National Electrical Code.
- IRSC - Infrared Heater Safety.

Safety Signs and Labels

It is important to provide warnings to alert individuals to potential hazards and safety actions. ANSI Z83.26/CSA 2.37 requires you to post a sign specifying the maximum permissible stacking height to maintain the required clearances from the heater to the combustibles near the heaters thermostat or in absence of such thermostats in a conspicuous location.

Safety warning labels must be maintained on the infrared heater. Illustrations of the safety labels and their locations are pictured below. In locations used for the storage of combustible materials, signs must be posted to specify the maximum permissible stacking height to maintain the required clearances from the heater to combustibles. Signs must either be posted adjacent to the heater device or in the absence of such control in a prominent location.

Figure 1.2 • Heater Safety Label Locations



2.0 Installation

⚠ WARNING



Read and understand, the installation, operating, and maintenance instructions thoroughly before installing or servicing this equipment.

Only trained, qualified gas installation and service personnel may install or service this equipment.

Design

OHP Series Patio Heaters are designed specifically for comfort heating in an outdoor environment. Examples of suitable applications include patios, porches, outdoor shopping areas, and outdoor pathways. When used properly, the heaters will increase the comfort levels of its application. However, the effectiveness of the heating will depend on many variables such as air temperature, wind velocity, wind barriers, mounting heights, and distance between heaters. To ensure a safe, properly designed heating system, all of these variables should be considered prior to developing a layout for the infrared heaters.

It is important to note that the effectiveness of the heater may be diminished in environments with wind velocities above 5 MPH. Wind barriers can be extremely effective in maintaining the effectiveness of the heater and reducing the operational costs. However, if wind barriers are used, they must be designed in such a way that allows for the necessary fresh air and ventilation for the proper heater operation. In addition, all clearance to combustibles must be maintained at all times (See Chart 1.1 on page 5).

NOTICE

Radiant heat is capable of damaging or destroying certain materials or items. Do not store materials or items underneath the heater. Always maintain clearance to combustibles.

The infrared patio heaters may be laid out in a number of configurations depending on the structures constraints of the application, heating requirements and, therefore, the basic recommendations of installation. The minimum mounting height for all OHP Series Patio Heaters is 6.5 feet above the finished floor.

The heater must always be operated in a location that allows uniform air pressure around the heater. If one part of the heater is located outside of a wind protected zone, the heater may not properly function or damage to the heater may occur. Consideration should be taken on how the wind will affect the heaters after installation. **IMPORTANT:** Fire sprinkler heads must be located at an appropriate distance from the heater to avoid accidental discharge of the fire suppression system. This distance may exceed the published clearance to combustibles (see Chart 1.1 on pg. 5). Certain applications will require the use of high temperature sprinkler heads or relocation of the heaters.

⚠ CAUTION

Fire sprinkler systems containing propylene glycol, antifreeze, or other potentially flammable substances shall not be used in conjunction with this heater without careful consideration for, and avoidance of, inadvertent discharge hazards. For further information, consult NFPA 13. Always observe applicable state and local codes.

Heater Mounting

⚠ WARNING



Improper suspension of the infrared heater may result in collapse and persons being crushed. Always suspend from a permanent part of the building structure that can support the total force and weight of the heater.

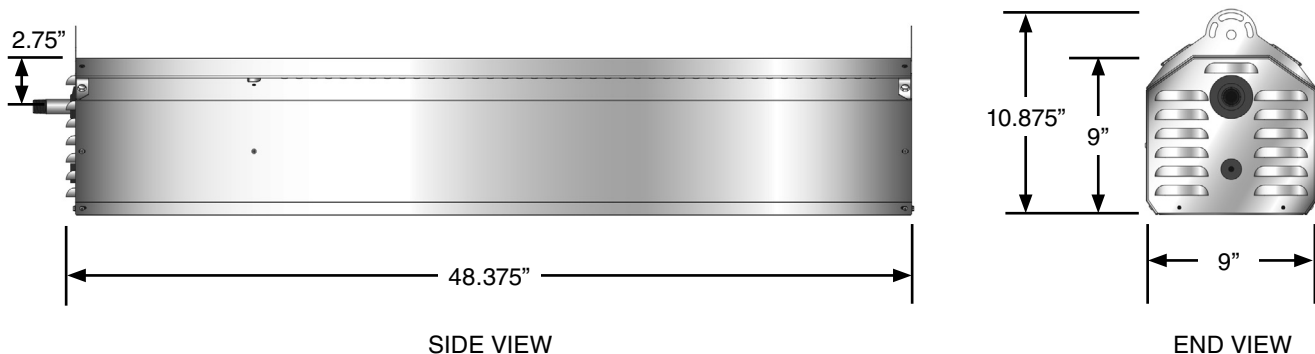


Failure to maintain minimum clearance to combustibles may result in fire and/or explosion, property damage, serious injury, or death. Always maintain minimum clearances and post signs or provided tags (F/N: LL01) where needed. Signs should state the hazards for the particular application and be legible for the building occupants. Consult the factory or a factory representative for additional information on signage compliance.

The heater shall be mounted in a fixed position attached from a structure that can evenly support the total force and weight of the heater. The mounting means shall be independent of the gas and electrical supply line. All hangars and bracket material shall be of noncombustible construction. Examples of suitable material include, but are not limited to, steel channel, steel tubing, threaded rod, or field fabricated hangers that are adequate to bear the load. In some cases, the heater may need to be isolated from vibration with the use of vibration isolating devices.

The heater must be level from side to side and can be set at an angle between 0° and 30° from horizontal.

Figure 2.1 • Heater Dimensions



Optional Mounting Kit

Optional adjustable mounting kits and brackets are available for the Patio Heater. Refer to the insert that was packaged with the mounting brackets for complete installation instructions.

Recommended Mounting Heights

⚠ WARNING

Heater must be installed at least 6.5 feet above the finished floor.

Chart 2.1 • Recommended Mounting Heights

BTU/h	Recommended Mounting Height	Approximate Coverage Area	Approx. Coverage (sq. ft.)
31,000	8'-0" to 12'-0"	8' x 8'	64 sq. ft.
34,000	8'-6" to 13'-0"	9' x 9'	81 sq. ft.

NOTE: This chart is provided as a guideline. Actual conditions dictate variances from this data.

Figure 2.2 • Heater Orientation

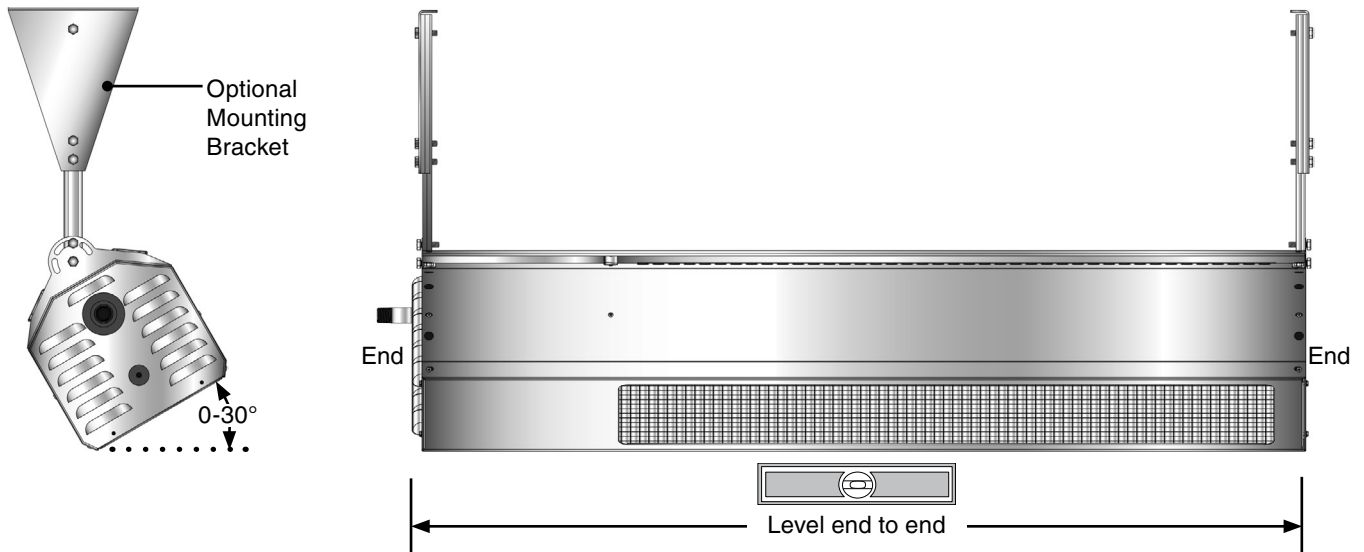
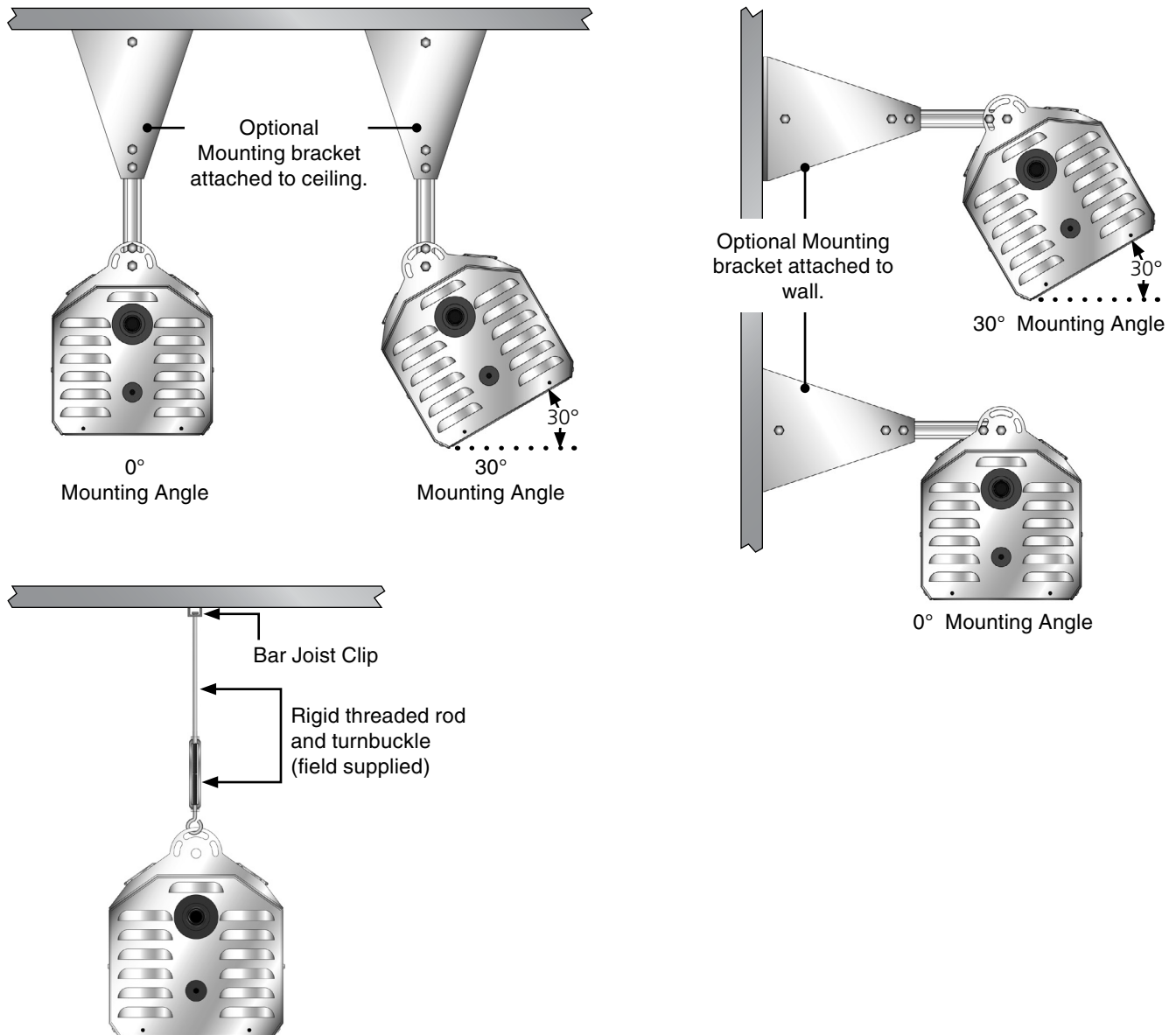


Figure 2.3 shows different types of mounting configurations. Depending on the type of mounting you use, be sure to:

- ❶ Prepare mounting surface. If necessary, weld blocks to mounting structure, drill holes, etc.
- ❷ Fasten beam clamp, screw hook, or other type of suspension anchor to hanging point.
- ❸ Attach threaded rod and turnbuckle to anchor. Check that it is securely attached.
- ❹ Attach heater to turnbuckle. Adjust turnbuckle until the heater is level and equal weight distribution is achieved. Threaded rod must be straight and down. Do not install threaded rod at an angle.

Figure 2.3 • Heater Mounting



Gas Supply

The gas supply to the infrared patio heater must be connected and tested in accordance with national, state, provincial, and local codes along with the guidelines in the manual. In the United States refer to the latest edition of the ANSI Z223.1 (NFPA 54) standard and in Canada, refer to the latest edition of the CAN/ CGA B149.1 Standard.

⚠ WARNING



Improperly connected gas lines may result in fire, explosion, poisonous fumes, toxic gases, asphyxiation, and/or death. Connect gas lines in accordance to national, state, provincial, and local codes.

Supply gas piping to the unit should conform to the local and national requirements for type and volume of gas handled and pressure drop allowed in the line. Avoid pipe sizes smaller than 1/2".

NOTICE

The total input to the appliance must fall within +/- 5% of the rated input as indicated on the rating plate. Otherwise the burner may prematurely fail.

IMPORTANT! Before connecting the gas supply to the heater:

- Verify that the heater's gas type (as listed on the rating plate) matches that of your application and the installation complies with national and local codes and requirements of the local gas company.
- Unless otherwise noted on the rating plate, the infrared heater is designed and orificed to operate on standard BTU gas. Contact the factory if utilizing non-standard BTU gas.
- Check that the gas piping and service has the capacity to handle the total gas consumption of all the heaters being installed, as well as any other gas appliances being connected to the supply line.
- Check that the main gas supply line is of proper diameter to supply the required fuel pressures.
- If utilizing used pipe, verify that its condition is clean and comparable to a new pipe. Test all gas supply lines in accordance with local codes.

The gas outlet must be in the same space as the appliance installation, and must be accessible. It may not be concealed within or run through any wall, floor, or partition. When installing the heater in a corrosive environment or near corrosive substances, use a gas connector suitable for the environment. Do not use the gas piping to electrically ground the heater.

This heater is equipped to connect to 1/2" NPT gas pipe. All piping must be installed in accordance with the requirements outlined in the National Fuel Gas Code ANSI/Z223.1 (latest edition) or CSA B149.1 and B149.2. Support all gas piping with pipe hangers, metal strapping, or other suitable material. Do not rely on the heater to support the gas pipe.

When connecting gas piping to the unit, the use of a thread joint compound is required. The thread compound (pipe dope) shall be resistant to the action of liquefied petroleum gas or any other chemical constituents of the gas to be conducted through the piping. Use of Teflon® tape is not permitted.

Install a ground joint union with a brass seat and a manual shut-off valve adjacent to the unit for emergency shut-off and easy servicing of the controls. A 1/8" NPT plugged tap that is accessible for a test gauge connection is also recommended as illustrated in Figures 2.4 and 2.5.

A sediment trap must be installed in the supply line in the lowest spot prior to connecting to the heater. The trap length shall be at least three inches long. Ideally, the trap will be installed as close as possible to the shut-off.

Chart 2.2 • Gas Consumption and Manifold Pressure (Inches W.C.)

Model No.	Input	Manifold Pressure	Minimum Inlet Pressure	Maximum Inlet Pressure	Gas Consumption (CFH)	Gallons per Hour	Orifice Size
OHP 31S 48	31,000	6.0" W.C.	7.0" W.C.	14.0" W.C.	29.5	0.43	2.35 mm
OHP 31S 98	31,000	10.0" W.C.	11.0" W.C.	14.0" W.C.	12.4	0.34	1.65 mm
OHP 34S 48	34,000	6.0" W.C.	7.0" W.C.	14.0" W.C.	32.4	0.47	41 DMS

Pressure Equivalents: 1 inch W.C. equals .058 oz./sq. in. equals 2.49 Mbar.

To connect the gas:

⚠ WARNING



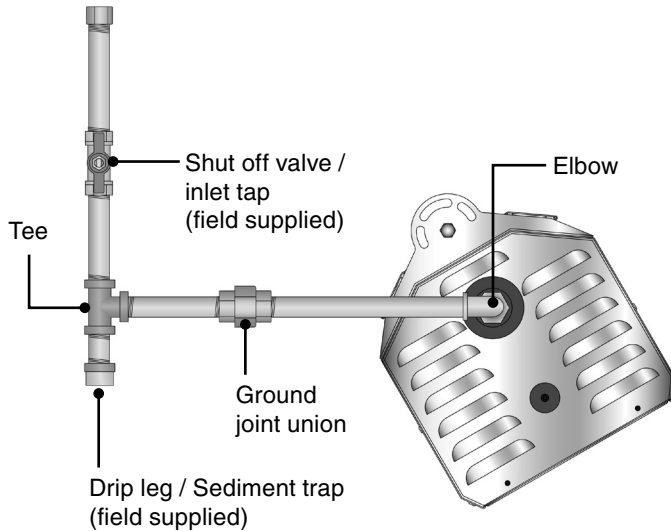
Improperly connected gas lines may result in serious injury or death, explosion, poisonous fumes, toxic gases, and asphyxiation. Connect gas lines in accordance to national, state, provincial, and local codes.

⚠ WARNING



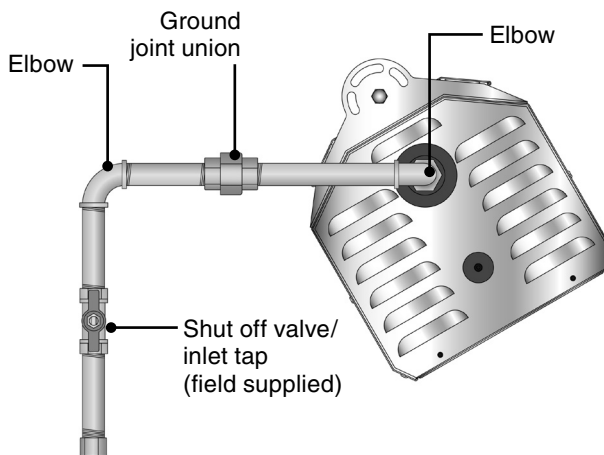
Conditions such as wind drafts or other variables can cause movement of the heater and may require it to be rigidly mounted. Avoid excessive movement and/or vibration of the gas connection by rigidly mounting the heater.

Figure 2.4 • Gas Connection - End View (shown installed from above)



NOTE: Do not exceed 14 inches W.C. to the appliance. Use a regulator when gas supply pressure exceeds 14 inches W.C.

Figure 2.5 • Gas Connection - End View (shown installed from below)



To disconnect the gas:

- ❶ Disconnect the power to the heater.
- ❷ Turn off the gas supply to the heater and "bleed" the gas line.
- ❸ Using two wrenches, slowly loosen the fittings. Excessive torque on the manifold may misalign the orifice.
- ❹ Inspect the gas pipe. Replace if necessary.
- ❺ Always cap off and leak check any open gas lines that are not in use.

⚠ WARNING



Failure to disconnect the electricity to the heater before disconnecting the gas supply may result in explosion, fire, property damage, injury, or death.

Leak Testing

Use a soap solution or equivalent for leak testing. Leak testing solution must be non-corrosive, and be rinsed off immediately after the leak test. Never test for leaks with an open flame. Failure to comply could result in personal injury, property damage, or death.

Always leak test the final gas assembly for gas leaks according to the procedures outlined in NFPA 54 and all local codes/or standards.

⚠ WARNING



Failure to install, operate, or service this appliance in the approved manner may result in property damage, injury, or death. This heater must be installed and serviced by trained gas installations and service personnel only.

The installation of this heater must conform with local building codes or, in the absence of such codes, the National Fuel Code (NFPA 54).

⚠ WARNING



Testing for gas leaks with an open flame or other sources of ignition may lead to a fire or explosion and cause serious injury or death. Test in accordance with NFPA or local codes.

For leak testing on pressures below ½ PSI

Before leak testing, close the field installed manual shut off valve shown in Figures 2.4 and 2.5 (pg. 15) on the supply line to isolate the gas valve from the pressure. **NOTE:** All factory installed gas connections have passed an approved leak test.

For leak testing on pressures above ½ PSI

When leak testing with pressures above ½ PSI (14 inches W.C.) the unit's gas controls must be isolated from the supply pipe. Close the field installed manual shut off valve, disconnect the supply line to the unit, and temporarily cap the supply line for testing purposes.

⚠ WARNING



Gas pressures to the appliance controls must never exceed 14 inches W.C. (1/2 PSI). Supply pressures greater than 14 inches W.C. can damage the controls, resulting in personal injury, property damage, or death.

Electrical Requirements

⚠ WARNING



Incorrect or improper wiring may result in shock, injury, or death. Field wiring to the heater must be connected and grounded in accordance with national, state, provincial and local codes, and to the guidelines in this manual. Refer to the most current revisions to the ANSI/NFPA 70 Standard.

All field wiring to the patio heater must be done in accordance with the national, state, provincial and local codes, and the guidelines in this manual. In the United States, refer to the most current revisions to the Electrical Code ANSI/NFPA 70 and in Canada refer to the most current revisions of the Canadian Electrical Code CSA C22.1 Part 1. The unit must be electrically grounded according to these codes.

NOTICE

The power supply to the heater must be within +/-5% of the voltage rating as indicated on the rating plate of the appliance. If input power does not meet these specifications, contact your utility company.

This patio heater system is designed to operate on an external 24VAC electrical system. Provide only 24VAC with a NEC Class 2 transformer to the control wires inside the controls compartment. Use at least 18 AWG solid core thermostat type wire that has an adequate capacity and temperature rating for the total load. Never locate the transformer inside the controls compartment.

Installing the control wire

Each heater includes a rubber grommet to allow for control wire to be brought into the unit with a water resistant seal. Feed the control wire through the grommet, piercing the rubber with the wire. Ensure enough wire length is available to make the proper connections. Tie the control wire into a loose knot, as shown in Figure 2.6. Ensure knot is loose enough to not cause any damage to the wire. This will allow for a strain relief for the connections to the heater.

Wiring: From the control wire, connect the 24VAC to the blue wire (labeled “24VAC”) inside the control compartment. Then connect the Common from the control wire to the green wire (labeled “Common”). See Fig 2.8 on page 18.

Controls Operation

This patio heater was designed for use in an outdoor environment. Therefore, controlling the heater by use of a thermostat may not be the best means of temperature control. In an outdoor application, the air temperature may not increase and never satisfy the thermostat. The preferred control device when operating this heater in an outdoor area is a switching or timer device.

In an application where there are several wind breaks or a partially enclosed area, a thermostat can be used.

Figure 2.6 • Control Wire Installation

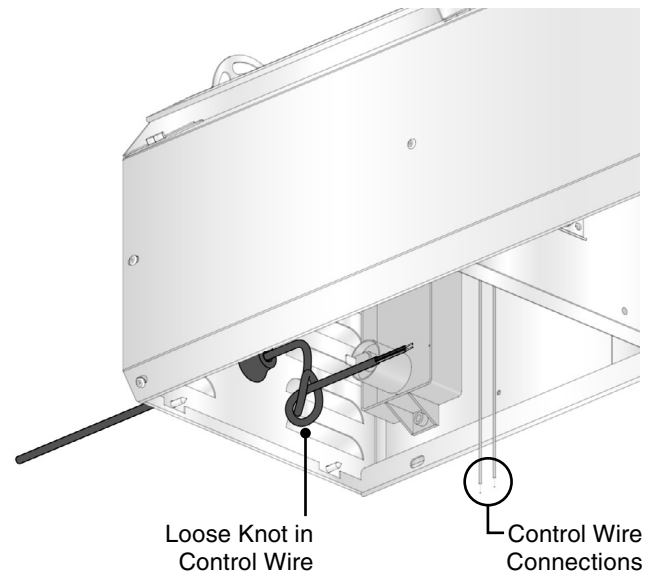
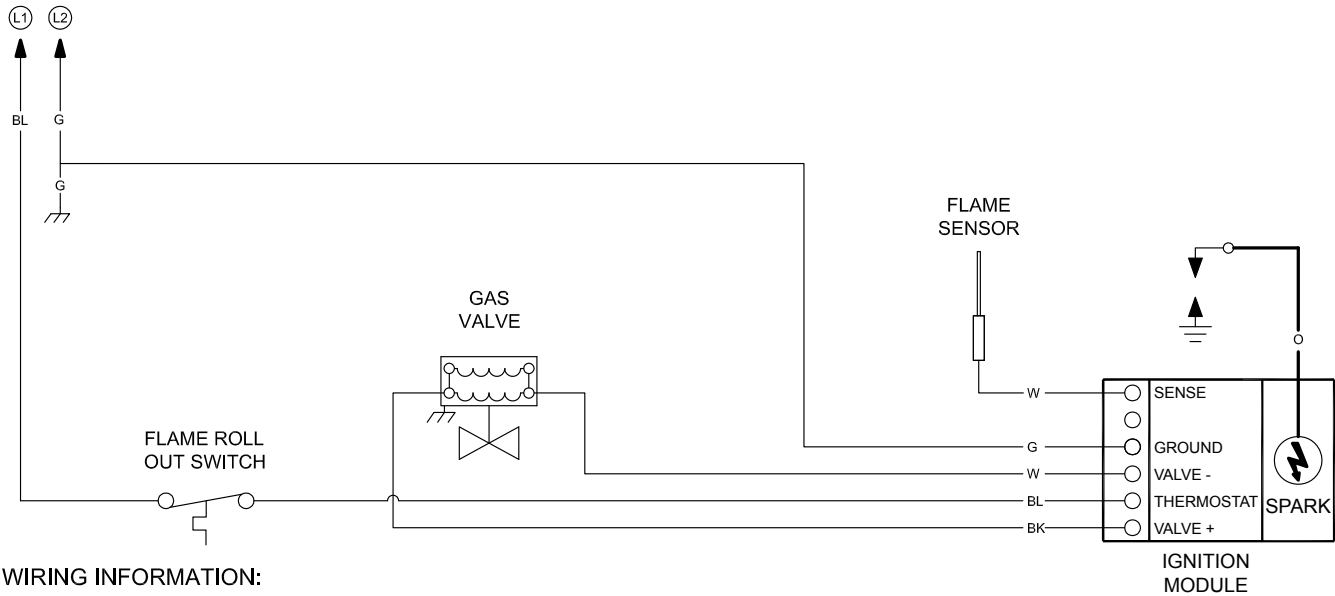


Figure 2.7 • Internal Wiring Diagram



WIRING INFORMATION:

LINE VOLTAGE:

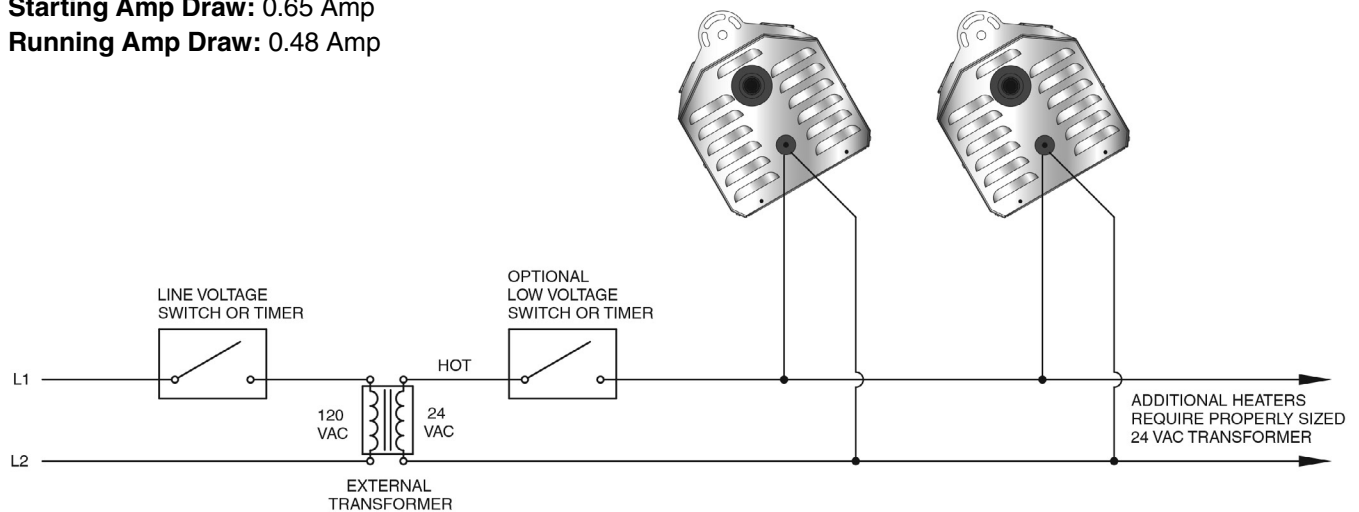
- FACTORY STANDARD —————
- FACTORY OPTION - - - - -
- FIELD INSTALLED - - - - -

LOW VOLTAGE:

- FACTORY STANDARD —————
- FACTORY OPTION - - - - -
- FIELD INSTALLED - - - - -

Figure 2.8 • Field Wiring Diagram

Starting Amp Draw: 0.65 Amp
 Running Amp Draw: 0.48 Amp



Field Wiring:

- ❶ 24 VAC/20VA transformer (.8 Amp) per heater is required (supplied by installer).
- ❷ Maintain electrical polarity when hooking up multiple heaters.
- ❸ Allow heaters to be switched by zones for heating flexibility.
- ❹ Do not attempt to install transformer inside of heater.

Ventilation

⚠ WARNING



Improper or insufficient ventilation may result in explosion, fire, health problems, carbon monoxide poisoning, or death. Vent enclosed spaces and buildings according to national, state, provincial, and local codes.

This infrared heater must be vented in accordance with national, state, provincial and local codes, and the guidelines in this manual. Refer to the latest edition of the ANSI Z223.1 (NFPA 54) Standard.

It is required that the upper levels of the space to be heated are properly ventilated to supply combustion air to the heaters and to sufficiently dilute the products of combustion. It is also important to keep the flue discharge area clear of gas piping and electrical wiring (see Figure 2.9).

Provisions must also be made to provide sufficient fresh air intake area and exhaust air outlet area. Natural or mechanical means shall be provided to supply and exhaust at least 4 CFM/1,000 BTU/h of total gas input of heaters installed. Exhaust openings for the removal of flue products must be above the level of the heater(s).

Where insufficient air movement exists, induced air displacement is required. A balanced system is essential to avoid negative building pressure which causes excessive infiltration, unfavorable drafts, and affects combustion efficiency.

Air displacement may be accomplished by either gravity or mechanical means. Mechanical exhausters are preferred and typically mounted at high points on the roof over where stagnant air accumulates inside. For a flat roof, considerations of prevailing winds, high and low pressure areas, and distribution of air movement must be taken into consideration when locating exhausters.

Best air distribution is accomplished by using a number of small exhausters versus one large exhauster. Provide a minimum of one square inch of inlet area per 1,000 BTU/h for combustion air supply. Inlet opening in the building should be well distributed, located high on the wall and should direct incoming air upward to dilute products of combustion while preventing drafts at lower levels. Inlets are typically 1 to 3 sq. ft.

In certain applications, local codes may require that mechanical exhaust systems be interlocked with the heaters to enable both to function simultaneously or allow control of exhausters with a ceiling mounted humidistat.

Figure 2.9 • Hot Flue Discharge



Discharge released from side air channels. Keep area clear of gas piping and electrical wiring.

3.0 Operation

⚠ WARNING



Improper operation of the heater may result in explosion, fire, shock, and carbon monoxide poisoning. Follow all guidelines and warnings in this manual and national, state, provincial, and local codes. Always conduct safety checks before operating the heater. Do not operate the heater in unsafe conditions.

Important! Before operating the heater, conduct the following safety procedures:

- Check for any possible gas leaks.
- Alert all persons about the hazards of high surface temperatures and to keep a safe distance away in order to avoid burns and possible clothing ignition.
- Provide supervision when young children are in the area of the heater.
- Check to make sure clothing isn't hung from the heater and that flammable materials are not placed on or near the heater.
- Check that all guards or protective devices are in place and secure.
- Check control compartment, burners, and circulating air passages for debris. If necessary, clean the debris.

Sequence of Operation

Starting Circuit:

When voltage is applied to the controls connection, the ignition module sends power to the gas valve while simultaneously sending spark to the igniter. The ignition time is 15 seconds. Once the flame on the burner is established, the ignition module will continuously monitor the flame. The heater will continue to run as long as there is 24 VAC present in the call for heat. If the heater does not light on the first trial, the heater will attempt two more ignitions prior to going into a lockout mode.

Running Circuit:

After ignition, the flame rod monitors the flame. As long as a flame is present, the valve is held open. If the flame is lost, the control acts to close the valve within one second, and a new trial sequence identical to that at start-up is initiated. If proof of flame is not established within the 15 second trial for ignition, the unit will retry two additional times before entering lockout mode. If lockout occurs, the control can be reset by briefly interrupting the power source.

4.0 Maintenance

⚠ WARNING



Always wear clothing that protects the body and use protective glasses when servicing the heater.

Electrical shock or explosion may occur when conducting maintenance while the heater is connected to the power source and gas supply. Disconnect power and gas supply to heater before servicing.

Burner malfunction may result in explosion or fire. Never operate the heater if there are any signs of malfunction, excessive wear, or damage. Call a professional for assistance.

Before each use:

- Check the gas supply line for any possible leaks or damage.
- Check heater elements for debris. Visually check burner flames.
- Keep the heated area clear and free of combustible materials, gasoline and flammable vapors and liquids. Ensure there is no obstruction of the flow of combustion and ventilation.

Periodic maintenance:

- Clean the heater with cleaning agents suitable for the unit's construction material (i.e., stainless steel cleaner).
- Inspect the gas supply piping system for signs of corrosion or failure. Replace if necessary.

Before conducting maintenance on the heater disconnect the power and gas supply. When pressure testing the gas supply piping system follow these guidelines:

- At a test pressure in excess of 1/2 psi (3.5 kPa) the heater and ball shutoff valve must be disconnected from the gas supply piping system during any pressure testing of the system.
- At a test pressure equal to or less than 1/2 psi (3.5 kPa) the heater must be isolated from the gas supply piping system by closing its individual manual shutoff valve during any pressure testing of the gas supply piping system.

Cleaning the main burner:

NOTICE

Cleaning the heater elements with high pressure air may cause damage to the elements and equipment failure. Do not blow out heating elements with high pressure air.

- ① Use an air hose to blow any accumulated dust and/or dirt off the heater. Air hose pressure should not exceed 30 psi.
- ② Pass the air hose over the entire exposed area of the ceramic. A distance of 2' to 4' from the unit is recommended.
- ③ Place the air hose outlet into the venturi tube and allow the air to flow for approximately one minute.

During long periods of non-usage, remove or cover heater with a polyethylene bag and shut off gas supply. If further service to the heater is desired, contact your representative or the factory.

Service Access Panel Removal

Before removing the service access panel on appliance, allow the unit to cool completely before servicing. To remove the service access panel a 1/4" nut driver will be needed.

- ❶ Remove the two 1/4" screws on the control end of the unit first while holding the panel in place (see Figure 4.1).
- ❷ Proceed to the opposite side of the unit while holding the panel in place and remove the last two 1/4" screws.
- ❸ Slowly allow the face to rotate open towards the component side of unit and remove service access panel.

Failure to support the service access panel during removal can result in damage to the piece and or uncontrolled dropping of the panel possibly causing injury.

⚠ WARNING



Modine Manufacturing Company makes every possible effort to remove sharp edges, however, caution should be taken to avoid contact with potentially sharp edges on the heater housing. Sharp edges may cut, resulting in personal injury.

Figure 4.1 • Service Access Panel Removal

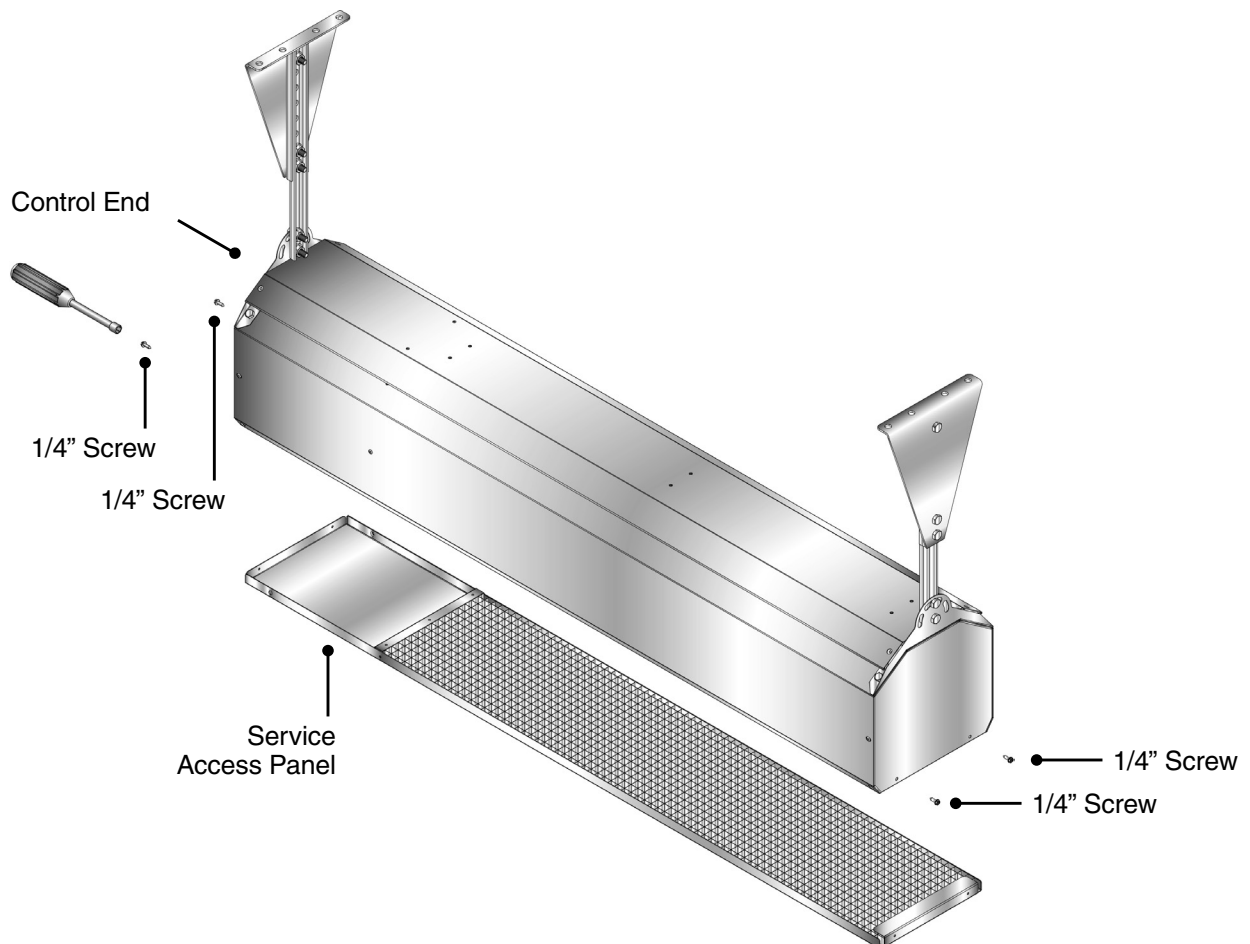


Chart 4.1 • Troubleshooting Guide

Symptom	Possible Cause	Corrective Action
Burning of gas-air mixture inside plenum (flashback). Rumbling noise present.	<ul style="list-style-type: none"> • Heater mounted at incorrect angle. • Excessive drafts. • Gas leaking at orifice. • Separation of ceramic grids. • Ceramic grids cracked. 	<ul style="list-style-type: none"> • Mount at a 0° - 30° angle from horizontal. • Relocate heater or shield from draft. • Check with leak detector solution. • Replace burner. • Replace burner.
Delayed ignition.	<ul style="list-style-type: none"> • Electrode out of specification. • Low gas pressure. • Partially blocked orifice. • Improper orifice size. • Incorrect gas. 	<ul style="list-style-type: none"> • Adjust or replace. • See Section 2.0, Gas Supply. • Clean or replace gas orifice. • Consult distributor. • See unit rating plate.
Low ceramic surface temperature or excessive rollout.	<ul style="list-style-type: none"> • Dirty or plugged burner ceramics. • Partially blocked orifice. • Low inlet gas pressure. • High or low manifold gas pressure. • Foreign matter in venturi tube. • Excessive dark spots on burner. • Gas supply piping too small. • Incorrect gas. 	<ul style="list-style-type: none"> • See periodic maintenance instructions. • Remove and clean. • See Section 2.0, Gas Supply. • Adjust main valve regulator as specified. • See periodic maintenance instructions. • See periodic maintenance instructions. • Increase inlet pressure or replace piping. • See unit nameplate.
Control system overheating.	<ul style="list-style-type: none"> • Heater not mounted correctly. • Heater mounted too close to ceiling. 	<ul style="list-style-type: none"> • Mounting angle 0° - 30°. Level left to right. • Observe clearance to combustibles.
Gas odor.	<ul style="list-style-type: none"> • Loose pipe connection. 	<ul style="list-style-type: none"> • Check connections. Tighten as necessary.
Heater cycles repeatedly.	<ul style="list-style-type: none"> • Heater located in drafty area. • Low gas pressure. • Thermostat located in drafty area. • Defective flame electrode or circuit board. 	<ul style="list-style-type: none"> • Relocate or shield from draft. • See Section 2.0, Gas Supply. • Relocate thermostat. • Replace electrode and/or circuit board.
No spark; no ignition.	<ul style="list-style-type: none"> • Lack of 24V incoming voltage. • Open high voltage wire. • Improper electrode gap. • Loose or open wire connection. • Poor or no equipment ground. • Unit in "safety lockout" mode. • Defective control module. 	<ul style="list-style-type: none"> • Check power supply. • Isolate and check resistance, replace if open. • See Ignition System specifications. • Check all wires, tighten or replace. • Check all connections, provide positive earth ground. • Interrupt power source, repeat trial for ignition. • Replace circuit board.
Heater lights, and "locks out" after approximately 10 seconds.	<ul style="list-style-type: none"> • Poor or no equipment ground. • Polarity is reversed. • Low gas pressure. • Electrode not sensing. • Heater mounted at incorrect angle. • Defective control module. 	<ul style="list-style-type: none"> • Check all connections, provide positive earth ground. • Correct wiring. • See Section 2.0, Gas Supply. • Relocate or replace if electrode is defective. • Mounting angle 0° - 30°. • Replace circuit board.
Spark is present. No main gas operation. Unit "locks out".	<ul style="list-style-type: none"> • Gas valve in "OFF" position. • Defective gas valve. • Defective control module. 	<ul style="list-style-type: none"> • Turn to "ON" position. • Isolate and check for resistance, replace if reading open. • Replace circuit board.
Heater will not shut off.	<ul style="list-style-type: none"> • Defective thermostat or wiring. • Gas valve stuck or open. • High gas pressure. 	<ul style="list-style-type: none"> • Replace thermostat or repair wiring. • Replace gas valve. • See Section 2.0, Gas Supply.

5.0 Parts

Figure 5.1 • Heater Components

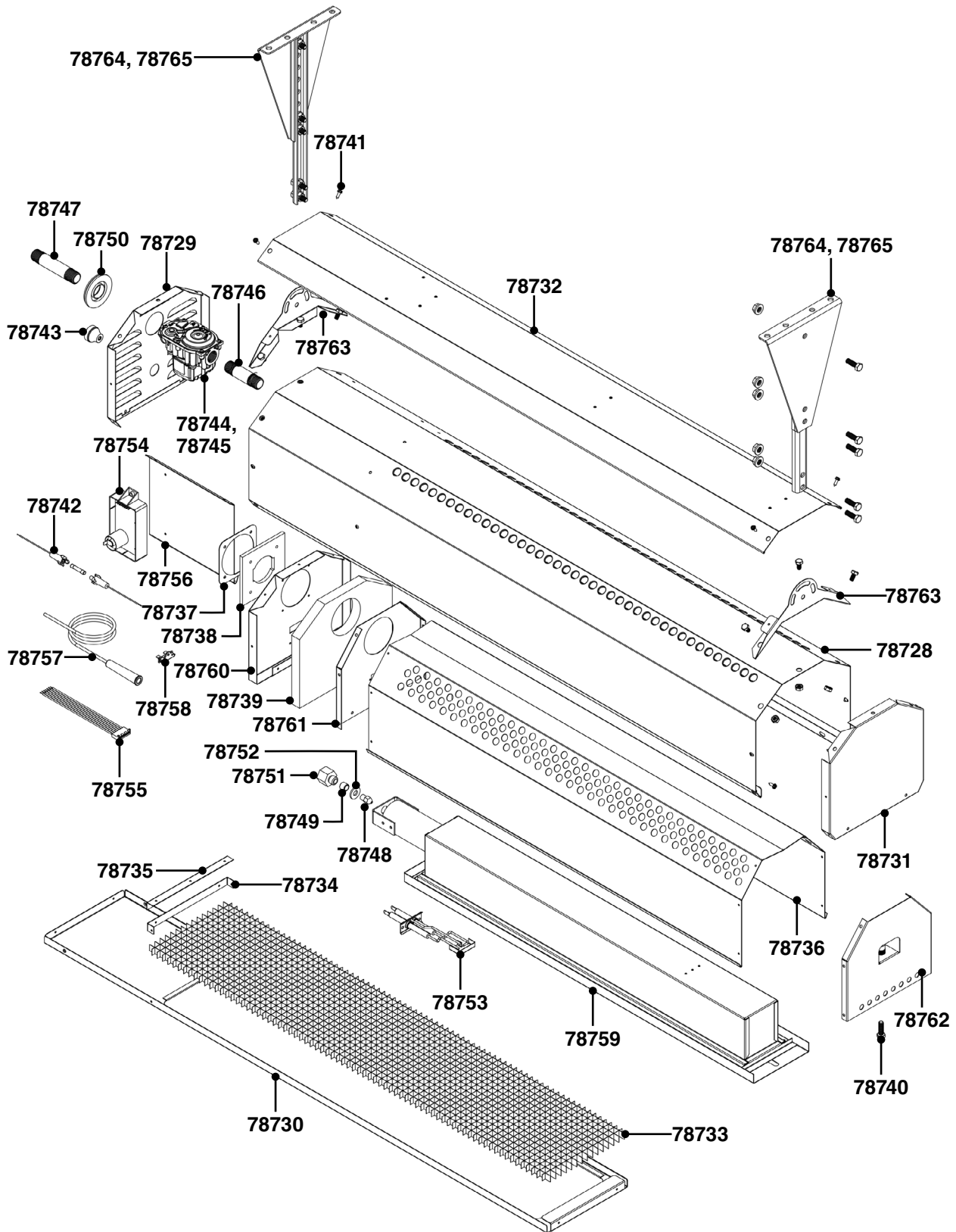


Chart 5.1 • Parts List

Part No.	Description
78728 ¹	Exterior Casing
78729 ¹	Control End Panel - A
78730 ¹	Service Access Panel
78731 ¹	End Panel
78732 ¹	Rain Guard
78733	Egg Crate
78734	Egg Crate Locator
78735	Egg Crate Access Bracket
78736	Reflector
78737	Venturi Gasket Holder
78738	Venturi Gasket
78739	Insulation
78740	5/16"-18 x 3/4" S.S. Hex Head Screw
78741	1/4" x 1/2" Shoulder Sheet Metal Screw
78742	In-Line Fuse
78743	Thermostat Wire Grommet
78744	Gas Valve (Natural Gas)
78745	Gas Valve (Propane)
78746	3" Gas Pipe
78747	4" Gas Pipe
78748	Gas Orifice (Specify Model)
78749	Coupler (Natural Gas Only)
78750	Rubber Inlet Grommet
78751	1/2" to 1/8" NPT Adapter
78752	Air Metering Washer (Natural Gas Only)
78753	Electrode
78754	Circuit Board
78755	Circuit Board Wiring Harness
78756	Component Panel
78757	High Voltage Wire w/ Boot
78758	Thermal Fuse
78759	Burner Assembly
78760	Divider Panel
78761	Reflector End - Ignition Side
78762	Reflector End - Burner Support w/ Nutsert
78763 ¹	Hanging Bracket Qty. 2
78764	Wall Mounting Bracket Assembly (Black) Qty. 2 (Optional)
78765	Wall Mounting Bracket (Stainless Steel) Qty. 2 (Optional)

¹ Specify [B] Black or [S] Stainless Steel finish.

5.0 Limited Warranty

Seller warrants its products to be free from defects in material and workmanship, EXCLUSIVE, HOWEVER, of failures attributable to the use of materials substituted under emergency conditions for materials normally employed. This warranty covers replacement of any parts furnished from the factory of Seller, but does not cover labor of any kind and materials not furnished by Seller, or any charges for any such labor or materials, whether such labor, materials, or charges thereon are due to replacement of parts, adjustments, repairs, or any other work done. This warranty does not apply to any equipment which shall have been repaired or altered outside the factory of Seller in any way so as, in the judgement of Seller, to affect its stability, nor which has been subjected to misuse, negligence, or operating conditions in excess of those for which such equipment was designed. This warranty does not cover the effects of physical or chemical properties of water or steam or other liquids or gases used in the equipment.

BUYER AGREES THAT SELLER'S WARRANTY OF ITS PRODUCTS TO BE FREE FROM DEFECT IN MATERIAL AND WORKMANSHIP, AS LIMITED HEREIN, SHALL BE IN LIEU OF AN EXCLUSIVE OF ALL OTHER WARRANTIES, EITHER EXPRESS OR IMPLIED, WHETHER ARISING FROM LAW, COURSE OF DEALING, USAGE OF TRADE, OR OTHERWISE, THERE ARE NO OTHER WARRANTIES, INCLUDING WARRANTY OF MERCHANTABILITY OR FITNESS FOR PURPOSE, WHICH EXTEND BEYOND THE PRODUCT DESCRIPTION CONFIRMED BY BUYER AND SELLER AS OF THE DATE OF FINAL AGREEMENT.

This warranty is void if the input to the product exceeds the rated input as indicated on the product serial plate by more than 5% on gas-fired and oil-fired units, or if the product, in the judgement of the SELLER, has been installed in a corrosive atmosphere, or subjected to corrosive fluids or gases, been subjected to misuse, negligence, accident, excessive thermal shock, excessive humidity, physical damage, impact, abrasion, unauthorized alterations, or operation contrary to SELLER'S printed instructions, or if the serial number has been altered, defaced, or removed.

BUYER AGREES THAT IN NO EVENT WILL SELLER BE LIABLE FOR COSTS OF PROCESSING, LOST PROFITS, INJURY TO GOODWILL, OR ANY OTHER CONSEQUENTIAL OR INCIDENTAL DAMAGES OF ANY KIND RESULTING FROM THE ORDER OR USE OF ITS PRODUCT, WHETHER ARISING FROM BREACH OF WARRANTY, NONCONFORMITY TO ORDERED SPECIFICATIONS, DELAY IN DELIVERY, OR ANY LOSS SUSTAINED BY THE BUYER.

BUYER'S REMEDY FOR BREACH OR WARRANTY, EXCLUSIVE OF ALL OTHER REMEDIES PROVIDED BY LAW, IS LIMITED TO REPAIR OR REPLACEMENT AT THE FACTORY OF SELLER, ANY COMPONENT WHICH SHALL, WITHIN THE APPLICABLE WARRANTY PERIOD DEFINED HEREIN AND UPON PRIOR WRITTEN APPROVAL, BE RETURNED TO SELLER WITH TRANSPORTATION CHARGES PREPAID AND WHICH THE EXAMINATION OF SELLER DISCLOSE TO HAVE BEEN DEFECTIVE; EXCEPT THAT WHEN THE PRODUCT IS TO BE USED BY BUYER AS A COMPONENT PART OF EQUIPMENT MANUFACTURED BY BUYER, BUYER'S REMEDY FOR BREACH, AS LIMITED HEREIN, SHALL BE LIMITED TO ONE YEAR FROM DATE OF SHIPMENT FROM SELLER, FOR GAS-FIRED PRODUCTS INSTALLED IN HIGH HUMIDITY APPLICATIONS AND UTILIZING STAINLESS STEEL HEAT EXCHANGERS, BUYER'S REMEDY FOR BREACH, AS LIMITED HEREIN, SHALL BE LIMITED TO TEN YEARS FROM DATE OF SHIPMENT FROM SELLER.

These warranties are issued only to the original owner-user and cannot be transferred or assigned. No provision is made in these warranties for any labor allowance or field labor participation. Seller will not honor any expenses incurred in its behalf with regard to repairs to any of Seller's products. No credit shall be issued for any defective part returned without proper written authorization (including, but not limited to, model number, serial number, date of failure, etc.) and freight prepaid.

OPTIONAL SUPPLEMENTAL WARRANTY

Provided a supplemental warranty has been purchased, Seller extends the warranty herein for an additional four (4) years on certain compressors. Provided a supplemental warranty has been purchased, Seller extends the warranty herein for an additional four (4) years or nine (9) years on certain heat exchangers.

EXCLUSION OF CONSUMABLES & CONDITIONS BEYOND SELLER'S CONTROL

This warranty shall not be applicable to any of the following items: refrigerant, gas, belts, filters, fuses, and other items consumed or worn out by normal wear and tear or conditions beyond Seller's control, including (without limitation as to generality) polluted or contaminated or foreign matter contained in the air or water utilized for heat exchanger (condenser) cooling or if the failure of the part is caused by improper air or water supply, or improper or incorrect sizing of power supply.

Component Applicable Models	"APPLICABLE WARRANTY PERIOD"
Heat Exchangers Gas-Fired Units	TEN YEARS FROM DATE OF FIRST BENEFICIAL USE BY BUYER OR ANY OTHER USER, WITHIN TEN YEARS FROM DATE OF RESALE BY BUYER OR ANY OTHER USER, WITHIN TEN YEARS FROM DATE OF RESALE BY BUYER IN ANY UNCHANGED CONDITION, OR WITHIN ONE HUNDRED TWENTY-SIX MONTHS FROM DATE OF SHIPMENT FROM SELLER, WHICHEVER OCCURS FIRST.
Heat Exchangers Low Intensity Infrared Units Compressors Condensing Units for Cassettes	FIVE YEARS FROM DATE OF FIRST BENEFICIAL USE BY BUYER OR ANY OTHER USER, WITHIN FIVE YEARS FROM DATE OF RESALE BY BUYER OR ANY OTHER USER, WITHIN FIVE YEARS FROM DATE OF RESALE BY BUYER IN ANY UNCHANGED CONDITION, OR WITHIN SIXTY-SIX MONTHS FROM DATE OF SHIPMENT FROM SELLER, WHICHEVER OCCURS FIRST.
Burners Low Intensity Infrared Units Other Components excluding Heat Exchangers, Coils, Condensers, Burners, Sheet Metal	TWO YEARS FROM DATE OF FIRST BENEFICIAL USE BY BUYER OR ANY OTHER USER, WITHIN TWO YEARS FROM DATE OF RESALE BY BUYER IN ANY UNCHANGED CONDITION, OR WITHIN THIRTY MONTHS FROM DATE OF SHIPMENT FROM SELLER, WHICHEVER OCCURS FIRST.
Heat Exchangers/Coils Indoor and Outdoor Duct Furnaces and System Units, Steam/Hot Water Units, Oil-Fired Units, Electric Units, Cassettes, Vertical Unit Ventilators, Geothermal Units Compressors Vertical Unit Ventilators, Geothermal Units Burners High Intensity Infrared Units Sheet Metal Parts All Products	ONE YEAR FROM DATE OF FIRST BENEFICIAL USE BY BUYER OR ANY OTHER USER, WITHIN ONE YEAR FROM DATE OF RESALE BY BUYER IN ANY UNCHANGED CONDITION, OR WITHIN EIGHTEEN MONTHS FROM DATE OF SHIPMENT FROM SELLER, WHICHEVER OCCURS FIRST.

As Modine Manufacturing Company has a continuous product improvement program, it reserves the right to change design and specifications without notice.

