



AIR CONDITIONERS

Features

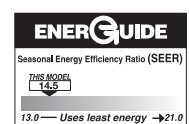
- Outdoor air conditioner designed for ground level or rooftop installations. These units offer comfort and dependability for single, multi-family and light commercial applications.
- Painted louvered steel cabinet
- Easily accessible control box
- Condenser coils constructed with copper tubing and enhanced aluminum fins
- Grille/Motor mount for quiet fan operation
- Filter Drier (shipped – not installed)



WA14 SERIES

14 SEER/11.5 EER

Nominal Sizes 1.5-5 Tons [5.28-17.6 kW]



“Proper sizing and installation of equipment is critical to achieve optimal performance. Split system air conditioners and heat pumps must be matched with appropriate coil components to meet ENERGY STAR criteria. Ask your Contractor for details or visit www.energystar.gov.”

TABLE OF CONTENTS

Model Number Identification	3-4
Electrical & Physical Data	5
Unit Dimensions	6
Refrigerant Line Size Information	7-8
Performance Data	9-15
Limited Warranty	16

Air Conditioners*

W	A	13	24	A	J	1	N	A	*
Brand	Product Category	SEER	Capacity BTU/HR	Major Series*	Voltage	Type	Controls	Minor Series**	Option Code
WeatherKing	A - Air Conditioners	13 - 13 SEER 14 - 14 SEER	18 - 18,000 [5.28 kW] 24 - 24,000 [7.03 kW] 30 - 30,000 [8.79 kW] 36 - 36,000 [10.55 kW] 42 - 42,000 [12.31 kW] 48 - 48,000 [14.07 kW] 60 - 60,000 [17.58 kW]	A - 1st Design B - 2nd Design C - 3rd Design	J - 1ph, 208-230/60 C - 3ph, 208-230/60 D - 3ph, 460/60	1 - Single-stage	N - Non-Communicating	A - 1st Design	N/A

Heat Pumps (For Reference)**

W	P	14	24	A	J	1	N	A	*
Brand	Product Category	SEER	Capacity BTU/HR	Major Series*	Voltage	Type	Controls	Minor Series**	Option Code
WeatherKing	P - Heat Pump	14 - 14 SEER	18 - 18,000 [5.28 kW] 24 - 24,000 [7.03 kW] 30 - 30,000 [8.79 kW] 36 - 36,000 [10.55 kW] 42 - 42,000 [12.31 kW] 48 - 48,000 [14.07 kW] 60 - 60,000 [17.58 kW]	A - 1st Design	J - 1ph, 208-230/60	1 - Single-stage	N - Non-Communicating	A - 1st Design	N/A

Furnace Coils (For Reference)**

I	C	F	24	17	S	T	A	M	C	A	*
Brand	Product Category	Type	Capacity BTU/HR	Width	Efficiency	Metering Device	Major Series*	Orientation	Casing	Minor Series**	Option Code
Generic	C - Evap Coil F - Furn Coil H - Air-Handler Coil	F - Furn Coil H - Air-Handler Coil	24 - 24,000 [7.03 kW] 36 - 36,000 [10.55 kW] 48 - 48,000 [14.07 kW] 60 - 60,000 [17.58 kW]	14 - 14" 17 - 17.5" 21 - 21" 24 - 24.5"	S - Standard Eff. M - Mid Eff. H - High Eff.	T-TXV E-EEV P-Piston	A - 1st Design	M - Multipoise V - Vertical only/ convertible H - Ded. Horizontal only	C - Cased U - Uncased	A - 1st Design	N/A

[] Designates Metric Conversions

90%+ AFUE Gas Furnaces (For Reference)**

<u>W</u>	<u>92</u>	<u>P</u>	<u>A</u>	<u>70</u>	<u>2</u>	<u>3</u>	<u>17</u>	<u>M</u>	<u>S</u>	<u>A</u>
Brand	Series	Motor	Major Rev	Input BTU/HR	Stages	Air Flow	Cabinet Width	Configuration	Nox	Minor Rev
WeatherKing	92 - 92 AFUE	P - PSC	A - 1st Design	040 - 42,000 [12.31 kW]	1 - Single-stage	3 - up to 3 ton	14 - 14"	M - Multi	X - Low Nox	A - 1st Design
	95 - 95 AFUE	T - Constant Torque	B - 2nd Design	060 - 56,000 [16.41 kW]		5 - 3 1/2 up to 5 ton	17 - 17.5"		S - Standard	
	96 - 96 AFUE		C - 3rd Design	070 - 70,000 [20.51 kW]			21 - 21"			
				085 - 84,000 [24.62 kW]			24 - 24.5"			
				100 - 98,000 [28.72 kW]						
				115 - 112,000 [32.82 kW]						

80% AFUE Gas Furnaces (For Reference)**

<u>W</u>	<u>80</u>	<u>2</u>	<u>V</u>	<u>A</u>	<u>075</u>	<u>3</u>	<u>17</u>	<u>M</u>	<u>S</u>	<u>A</u>
Brand	Series	Stages	Motor	Major Rev	Input BTU/HR	Air Flow	Cabinet Width	Configuration	Nox	Minor Rev
WeatherKing	80 - 80+ AFUE	1 - Single-stage	S - PSC standard T - Constant Torque	A - 1st Design	050 - 50,000 [15 kW] 075 - 75,000 [22 kW] 100 - 100,000 [29 kW] 125 - 125,000 [37 kW] 150 - 150,000 [44 kW]	3 - up to 3 ton 4 - 2 1/2 to 4 ton 5 - 3 1/2 up to 5 ton	14 - 14" 17 - 17.5" 21 - 21" 24 - 24.5"	M - Multi Z - Down & zero clearance down flow	X - Low Nox S - Standard	A - 1st Design

Air Handlers (For Reference)**

<u>W</u>	<u>H</u>	<u>1</u>	<u>I</u>	<u>36</u>	<u>17</u>	<u>S</u>	<u>I</u>	<u>A</u>	<u>N</u>	<u>A</u>	<u>000</u>	<u>*</u>
Brand	Product Category	Stages of Airflow	Motor Type	Capacity BTU/HR	Width	Coil Size	Metering Device	Major Series*	Controls	Voltage	Minor Series**	Factory Heat Option Code
R - Generic	H - Air Handler	1 - Single-Stage	P - PSC	24 - 24,000 [7.03 kW]	14 - 14"	S - Standard	T - TEV	A - 1st Design	N - Non-comm	A - 1ph, 115/60	A - 1st Design	00 - no factory heat with option code
W - WeatherKing	F - Front Return	T - Constant Torque	T - Constant Torque	36 - 36,000 [10.55 kW] 48 - 48,000 [14.07 kW] 60 - 60,000 [17.58 kW]	17 - 17.5" 21 - 21" 24 - 24.5"	Eff. M - Mid Eff. H - High Eff.				J - 1ph, 208-240/60 D - 3ph, 480/60		* TBD

[] Designates Metric Conversions

Electrical and Physical Data

Physical Data							
Model No.	WA1418A	WA1424C	WA1430B	WA1436B	WA1442C	WA1448B	WA1460A
Nominal Tonnage	1.5	2.0	2.5	3.0	3.5	4.0	5.0
Valve Connections							
Liquid Line O.D. – in.	3/8	3/8	3/8	3/8	3/8	3/8	3/8
Suction Line O.D. – in.	5/8	3/4	3/4	3/4	7/8	7/8	7/8
Refrigerant (R410A) furnished oz.¹	82	85	98	122	135	146	228
Compressor Type	Scroll						
Outdoor Coil							
Net face area – Outer Coil	11.1	13.7	13.7	18.3	18.3	21.9	21.9
Net face area – Inner Coil	—	—	—	—	—	—	—
Tube diameter – in.	0.375	3/8	3/8	3/8	3/8	3/8	3/8
Number of rows	1	1	1	1	1	1	2
Fins per inch	22	22	22	22	22	22	22
Outdoor Fan							
Diameter – in.	18	22	22	22	22	24	24
Number of blades	2	2	2	2	3	3	3
Motor hp	1/10	1/12	1/8	1/5	1/4	1/5	1/3
CFM	1697	2077	2121	2702	3174	3571	3360
RPM	1100	841	1075	819	1075	850	1085
watts	108	76	155	149	244	235	311
Shipping weight – lbs.	135	171	144.5	166	184	225	274
Operating weight – lbs.	128	164	137.5	159	176	205	254
Electrical Data							
Line Voltage Data (Volts-Phase-Hz)	208/230-1-60	208/230-1-60	208/230-1-60	208/230-1-60	208/230-1-60	208/230-1-60	208/230-1-60
Maximum overcurrent protection (amps)²	20	25	25	30	35	45	60
Minimum circuit ampacity³	13	15	17	19	23	26	35
Compressor							
Rated load amps	9.7	11.2	12.8	14.1	16.7	19.9	26.4
Locked rotor amps	46	60.8	64	77	109	109	134
Condenser Fan Motor							
Full load amps	0.5	.36	0.7	1.2	1.3	1	1.7
Locked rotor amps	1.3	1	1.2	2	2.5	2.3	3.2

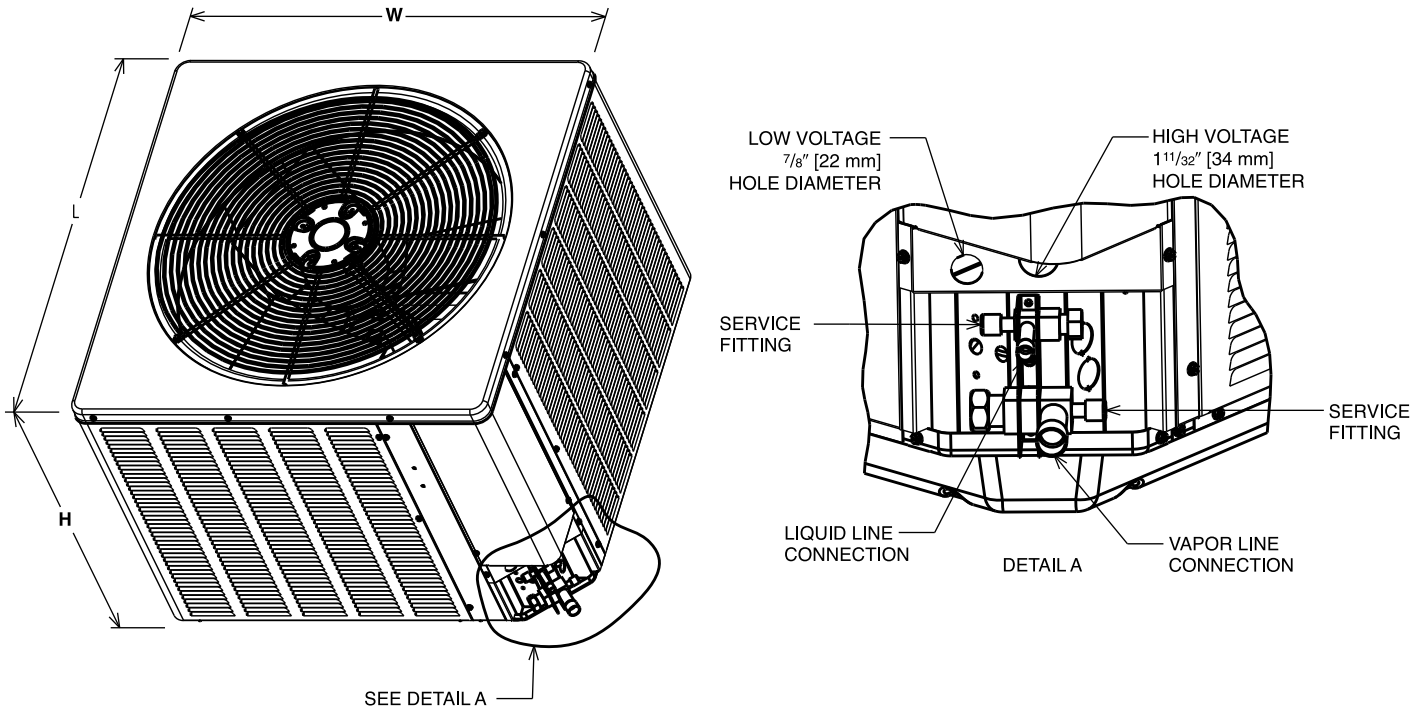
¹Refrigerant charge sufficient for 15 ft. length of refrigerant lines. For longer line set requirements see the installation instructions for information about set length and additional refrigerant charge required.

²HACR type circuit breaker or fuse.

³Refer to National Electrical Code manual to determine wire, fuse and disconnect size requirements.

Unit Dimensions

MODEL NUMBER	OPERATING						SHIPPING					
	H (Height)		L (Length)		W (Width)		H (Height)		L (Length)		W (Width)	
	INCHES	mm	INCHES	mm	INCHES	mm	INCHES	mm	INCHES	mm	INCHES	mm
WA1418A	24.25	615	23.63	600	23.63	600	24.25	615	24.75	628	24.75	628
WA1424C	24.25	615	27.63	701	27.63	701	24.25	615	28.75	730	28.75	730
WA1430B	24.25	615	27.63	701	27.63	701	24.25	615	28.75	730	28.75	730
WA1436B	32.25	819	27.63	701	27.63	701	32.50	825	28.75	730	28.75	730
WA1442C	32.25	819	27.63	701	27.63	701	32.50	825	28.75	730	28.75	730
WA1448B	35.38	899	31.63	803	31.63	803	35.56	903	33.94	862	33.94	862
WA1460A	35.38	899	31.63	803	31.63	803	35.56	903	33.94	862	33.94	862



NOTE: Illustrations show the deep drawn basepan.

Condensing Unit Refrigerant Line Size Information

Unit Size		Allowable Liquid Line Size		Allowable Suction Line Size		Apply Long Line Guidelines if Linear Line Length Exceeds Those Shown Below (Feet)		Equivalent Length (Feet)											
		WA14A/B		WA14W		WA13		Maximum Vertical Rise (Outdoor Unit Below Indoor Unit) * / Capacity Multiplier											
		< 25	26-50	51-75	76-100	101-125	126-150	151-175	176-200	201-225	226-250								
1.5 Ton **SEE NOTE 3	1/4"	N/R	N/R	N/R	N/R	25/1.00	50/0.99	62/0.98	43/0.98	24/0.97	5/0.97	N/R	N/R	N/R	N/R	N/R	N/R		
	5/16"	225	188	190	188	25/1.00	50/0.99	75/0.98	98/0.98	93/0.97	88/0.97	83/0.96	78/0.96	73/0.95	68/0.94	N/R	N/R		
	3/8"	150	125	127	125	25/1.00	50/0.99	75/0.98	100/0.98	100/0.97	100/0.97	100/0.96	100/0.96	100/0.95	100/0.94	N/R	N/R		
	1/4"	N/R	N/R	N/R	N/R	25/1.00	50/1.00	62/0.99	43/0.99	24/0.99	5/0.99	N/R	N/R	N/R	N/R	N/R	N/R	N/R	
	5/16"	225	188	190	188	25/1.00	50/1.00	75/0.99	98/0.99	93/0.99	88/0.99	83/0.99	78/0.98	73/0.98	68/0.98	N/R	N/R	N/R	
	3/8"	150	125	127	125	25/1.00	50/1.00	75/1.00	100/0.99	100/0.99	100/0.99	100/0.99	100/0.98	100/0.98	100/0.98	100/0.98	100/0.98	100/0.98	100/0.98
2 Ton	1/4"	N/R	N/R	N/R	N/R	25/0.99	50/0.98	21/0.97	N/R	N/R	N/R	N/R	N/R	N/R	N/R	N/R	N/R	N/R	
	5/16"	223	180	180	180	25/0.99	50/0.98	75/0.97	87/0.96	77/0.95	69/0.94	61/0.93	53/0.92	45/0.91	37/0.90	N/R	N/R		
	3/8"	148	120	120	120	25/0.99	50/0.98	75/0.97	100/0.96	100/0.95	100/0.94	98/0.93	95/0.92	92/0.91	89/0.90	N/R	N/R		
	1/4"	N/R	N/R	N/R	N/R	25/1.00	50/1.00	21/0.99	N/R	N/R	N/R	N/R	N/R	N/R	N/R	N/R	N/R	N/R	N/R
	5/16"	223	180	180	180	25/1.00	50/1.00	75/0.99	87/0.99	77/0.98	69/0.98	61/0.98	53/0.97	45/0.97	37/0.96	N/R	N/R	N/R	
	3/8"	148	120	120	120	25/1.00	50/1.00	75/0.99	100/0.99	100/0.98	100/0.98	98/0.98	95/0.97	93/0.97	90/0.96	N/R	N/R	N/R	
2.5 Ton	5/16"	148	148	113	113	25/0.99	50/0.98	75/0.96	70/0.94	59/0.93	48/0.91	36/0.90	N/R	N/R	N/R	N/R	N/R	N/R	
	3/8"	98	98	75	75	25/0.99	50/0.98	75/0.96	100/0.94	98/0.93	94/0.91	90/0.90	N/R	N/R	N/R	N/R	N/R	N/R	
	5/16"	148	148	113	113	25/1.00	50/0.99	75/0.99	70/0.98	59/0.98	48/0.97	36/0.96	25/0.96	13/0.95	N/R	N/R	N/R	N/R	
	3/8"	98	98	75	75	25/1.00	50/0.99	75/0.99	100/0.98	98/0.98	94/0.97	90/0.96	86/0.96	82/0.95	78/0.95	N/R	N/R	N/R	
	5/16"	N/R	N/R	73	73	25/0.99	50/0.97	66/0.94	49/0.92	32/0.90	N/R	N/R	N/R	N/R	N/R	N/R	N/R	N/R	N/R
	3/8"	110	58	48	48	25/0.99	50/0.97	75/0.94	95/0.92	89/0.90	N/R	N/R	N/R	N/R	N/R	N/R	N/R	N/R	N/R
3 Ton	5/16"	N/R	N/R	73	73	25/1.00	50/0.99	66/0.98	49/0.98	32/0.97	15/0.96	N/R	N/R	N/R	N/R	N/R	N/R	N/R	
	3/8"	110	58	48	48	25/1.00	50/0.99	75/0.98	95/0.98	89/0.97	84/0.96	78/0.95	72/0.94	67/0.93	61/0.93	N/R	N/R	N/R	
	1/2"	55	29	24	24	25/1.00	50/0.99	75/0.98	100/0.98	100/0.97	100/0.97	100/0.96	100/0.95	100/0.94	100/0.93	100/0.93	100/0.93	100/0.93	
	5/16"	N/R	N/R	73	73	25/1.00	50/1.00	66/1.00	49/0.99	32/0.99	15/0.99	N/R	N/R	N/R	N/R	N/R	N/R	N/R	N/R
	3/8"	110	58	48	48	25/1.00	50/1.00	75/1.00	95/0.99	89/0.99	84/0.99	78/0.98	72/0.98	67/0.98	61/0.97	55/0.97	49/0.96	42/0.96	
	1/2"	55	29	24	24	25/1.00	50/1.00	75/1.00	100/0.99	100/0.99	100/0.99	100/0.99	100/0.98	100/0.98	100/0.98	100/0.98	100/0.98	100/0.98	100/0.98
3.5 Ton	3/8"	148	100	100	100	25/0.99	50/0.98	75/0.97	88/0.96	80/0.95	72/0.94	65/0.92	57/0.91	49/0.90	N/R	N/R	N/R	N/R	
	1/2"	74	50	50	50	25/0.99	50/0.98	75/0.97	100/0.96	100/0.95	100/0.94	100/0.92	100/0.91	100/0.90	N/R	N/R	N/R	N/R	
	3/8"	148	100	100	100	25/1.00	50/1.00	75/0.99	88/0.99	80/0.99	72/0.98	65/0.97	57/0.97	49/0.96	42/0.96	N/R	N/R	N/R	
	1/2"	74	50	50	50	25/1.00	50/1.00	75/0.99	100/0.99	100/0.99	100/0.99	100/0.98	100/0.97	100/0.97	100/0.96	100/0.96	100/0.96	100/0.96	
	3/8"	82	82	0	0	25/0.99	50/0.98	75/0.96	77/0.95	67/0.93	57/0.92	46/0.91	N/R	N/R	N/R	N/R	N/R	N/R	N/R
	1/2"	41	41	0	0	25/0.99	50/0.98	75/0.96	100/0.95	100/0.93	100/0.92	100/0.91	N/R	N/R	N/R	N/R	N/R	N/R	N/R
4 Ton	3/8"	82	82	0	0	25/1.00	50/0.99	75/0.99	77/0.98	67/0.97	57/0.97	46/0.96	36/0.96	26/0.95	15/0.95	N/R	N/R	N/R	
	1/2"	41	41	0	0	25/1.00	50/0.99	75/0.99	100/0.98	100/0.97	100/0.97	100/0.96	100/0.96	99/0.95	97/0.95	N/R	N/R	N/R	
	3/8"	0	0	0	0	25/0.99	50/0.97	75/0.94	61/0.92	46/0.90	N/R	N/R	N/R	N/R	N/R	N/R	N/R	N/R	
	1/2"	0	0	0	0	25/0.99	50/0.97	75/0.94	100/0.92	100/0.90	N/R	N/R	N/R	N/R	N/R	N/R	N/R	N/R	
	3/8"	0	0	0	0	25/1.00	50/0.99	75/0.98	61/0.97	46/0.96	32/0.95	18/0.94	N/R	N/R	N/R	N/R	N/R	N/R	
	1/2"	0	0	0	0	25/1.00	50/0.99	75/0.98	100/0.97	100/0.96	100/0.96	100/0.95	97/0.94	95/0.94	92/0.93	89/0.92	N/R	N/R	
5 Ton	3/8"	0	0	0	0	25/1.01	50/1.01	75/1.00	61/1.00	46/0.99	32/0.99	18/0.99	N/R	N/R	N/R	N/R	N/R	N/R	
	1/2"	0	0	0	0	25/1.01	50/1.01	75/1.00	100/1.00	100/0.99	100/0.99	100/0.99	97/0.99	95/0.99	92/0.99	89/0.98	N/R	N/R	
	3/8"	0	0	0	0	25/1.01	50/1.01	75/1.00	100/1.00	100/0.99	100/0.99	100/0.99	97/0.99	95/0.99	92/0.99	89/0.98	N/R	N/R	
	1/2"	0	0	0	0	25/1.01	50/1.01	75/1.00	100/1.00	100/0.99	100/0.99	100/0.99	97/0.99	95/0.99	92/0.99	89/0.98	N/R	N/R	
	3/8"	0	0	0	0	25/1.01	50/1.01	75/1.00	100/1.00	100/0.99	100/0.99	100/0.99	97/0.99	95/0.99	92/0.99	89/0.98	N/R	N/R	
	1/2"	0	0	0	0	25/1.01	50/1.01	75/1.00	100/1.00	100/0.99	100/0.99	100/0.99	97/0.99	95/0.99	92/0.99	89/0.98	N/R	N/R	

- NOTES:**
- Do not exceed 200 ft linear line length.
 - * Do not exceed 100 ft vertical separation if outdoor unit is above indoor unit.
 - ** 3/4" suction line should only be used for 1.5 ton systems if outdoor unit is below or at same level as indoor to assure proper oil return.
 - Always use the smallest liquid line allowable to minimize refrigerant charge.
 - Applications shaded in light gray indicate capacity multipliers between 0.90 and 0.96 which are not recommended, but are allowed.
 - Applications shaded in dark gray are not recommended due to excessive liquid or suction pressure drop.

Condensing Unit Refrigerant Line Size Information

Unit Size	Allowable Liquid Line Size mm [in.]	Allowable Suction Line Size mm [in.]	Apply Long Line Guidelines if Linear Line Length Exceeds Those Shown Below (Meters)		13 - 14 SEER Single-Stage Air-Conditioners												
			WA13	WA14A/B	Equivalent Length (Meters)												
			WA14W	WA14W	< 8	8-15	16-23	24-30	31-38	39-46	47-53	54-61	62-69	70-76			
5.3 KW [1.5 Ton] **SEE NOTE 3	6.35 [1/4]	15.88 [5/8]	N/R	N/R	8 / 1.00	15 / 0.99	19 / 0.98	13 / 0.98	7 / 0.97	2 / 0.97	N/R	N/R	N/R	N/R	N/R	N/R	N/R
	7.94 [5/16]	15.88 [5/8]	69	57	8 / 1.00	15 / 0.99	23 / 0.98	30 / 0.98	28 / 0.97	27 / 0.97	25 / 0.96	24 / 0.96	22 / 0.95	21 / 0.94	21 / 0.94	21 / 0.94	21 / 0.94
	9.53 [3/8]	15.88 [5/8]	46	38	8 / 1.00	15 / 0.99	23 / 0.98	30 / 0.98	30 / 0.97	30 / 0.97	30 / 0.96	30 / 0.96	30 / 0.95	30 / 0.94	30 / 0.94	30 / 0.94	30 / 0.94
	6.35 [1/4]	19.05 [3/4]**	N/R	N/R	8 / 1.00	15 / 1.00	19 / 0.99	13 / 0.99	7 / 0.99	2 / 0.99	N/R	N/R	N/R	N/R	N/R	N/R	N/R
	7.94 [5/16]	19.05 [3/4]**	69	57	8 / 1.00	15 / 1.00	23 / 0.99	30 / 0.99	28 / 0.99	27 / 0.99	25 / 0.99	24 / 0.98	22 / 0.98	21 / 0.98	21 / 0.98	21 / 0.98	21 / 0.98
	9.53 [3/8]	19.05 [3/4]**	46	38	8 / 1.00	15 / 1.00	23 / 0.99	30 / 0.99	30 / 0.99	30 / 0.99	30 / 0.99	30 / 0.99	30 / 0.98	30 / 0.98	30 / 0.98	30 / 0.98	30 / 0.98
7.0 KW [2 Ton]	6.35 [1/4]	15.88 [5/8]	N/R	N/R	8 / 0.99	15 / 0.98	6 / 0.97	27 / 0.96	23 / 0.95	21 / 0.94	19 / 0.93	16 / 0.92	14 / 0.91	11 / 0.90	11 / 0.90	11 / 0.90	11 / 0.90
	7.94 [5/16]	15.88 [5/8]	68	55	8 / 0.99	15 / 0.98	23 / 0.97	30 / 0.96	30 / 0.95	30 / 0.94	30 / 0.93	29 / 0.92	28 / 0.91	27 / 0.90	27 / 0.90	27 / 0.90	27 / 0.90
	9.53 [3/8]	15.88 [5/8]	45	37	8 / 0.99	15 / 0.98	23 / 0.97	30 / 0.96	30 / 0.95	30 / 0.94	30 / 0.93	29 / 0.92	28 / 0.91	27 / 0.90	27 / 0.90	27 / 0.90	27 / 0.90
	6.35 [1/4]	19.05 [3/4]	N/R	N/R	8 / 1.00	15 / 1.00	6 / 0.99	N/R	N/R	N/R	N/R	N/R	N/R	N/R	N/R	N/R	N/R
	7.94 [5/16]	19.05 [3/4]	68	55	8 / 1.00	15 / 1.00	23 / 0.99	27 / 0.99	23 / 0.98	21 / 0.98	19 / 0.98	16 / 0.97	14 / 0.97	11 / 0.96	11 / 0.96	11 / 0.96	11 / 0.96
	9.53 [3/8]	19.05 [3/4]	45	37	8 / 1.00	15 / 1.00	23 / 0.99	30 / 0.99	30 / 0.98	30 / 0.98	30 / 0.98	29 / 0.97	28 / 0.97	27 / 0.96	27 / 0.96	27 / 0.96	27 / 0.96
8.8 KW [2.5 Ton]	7.94 [5/16]	15.88 [5/8]	45	45	8 / 0.99	15 / 0.98	23 / 0.96	21 / 0.94	18 / 0.93	15 / 0.91	11 / 0.90	N/R	N/R	N/R	N/R	N/R	N/R
	9.53 [3/8]	15.88 [5/8]	30	30	8 / 0.99	15 / 0.98	23 / 0.96	30 / 0.94	30 / 0.93	29 / 0.91	27 / 0.90	N/R	N/R	N/R	N/R	N/R	N/R
	7.94 [5/16]	19.05 [3/4]	45	45	8 / 1.00	15 / 0.99	23 / 0.99	21 / 0.98	18 / 0.98	15 / 0.97	11 / 0.96	8 / 0.96	4 / 0.95	N/R	N/R	N/R	N/R
	9.53 [3/8]	19.05 [3/4]	30	30	8 / 1.00	15 / 0.99	23 / 0.99	30 / 0.98	30 / 0.98	29 / 0.97	27 / 0.96	26 / 0.96	25 / 0.95	24 / 0.95	24 / 0.95	24 / 0.95	24 / 0.95
	7.94 [5/16]	22.23 [7/8]	N/R	27	8 / 0.99	15 / 0.97	20 / 0.94	15 / 0.92	10 / 0.90	N/R	N/R	N/R	N/R	N/R	N/R	N/R	N/R
	9.53 [3/8]	15.88 [5/8]	34	18	8 / 0.99	15 / 0.97	23 / 0.94	29 / 0.92	27 / 0.90	N/R	N/R	N/R	N/R	N/R	N/R	N/R	N/R
10.6 KW [3 Ton]	7.94 [5/16]	19.05 [3/4]	34	18	8 / 1.00	15 / 0.99	20 / 0.98	15 / 0.98	10 / 0.97	5 / 0.96	N/R	N/R	N/R	N/R	N/R	N/R	N/R
	9.53 [3/8]	19.05 [3/4]	17	9	8 / 1.00	15 / 0.99	23 / 0.98	29 / 0.98	27 / 0.97	26 / 0.96	24 / 0.95	22 / 0.94	20 / 0.93	19 / 0.93	19 / 0.93	19 / 0.93	19 / 0.93
	12.70 [1/2]	19.05 [3/4]	17	9	8 / 1.00	15 / 0.99	23 / 0.98	30 / 0.98	30 / 0.97	30 / 0.96	30 / 0.95	30 / 0.94	30 / 0.93	30 / 0.93	30 / 0.93	30 / 0.93	30 / 0.93
	7.94 [5/16]	22.23 [7/8]	N/R	27	8 / 1.00	15 / 1.00	20 / 1.00	15 / 0.99	10 / 0.99	5 / 0.99	N/R	N/R	N/R	N/R	N/R	N/R	N/R
	9.53 [3/8]	22.23 [7/8]	34	18	8 / 1.00	15 / 1.00	23 / 1.00	29 / 0.99	27 / 0.99	26 / 0.99	24 / 0.98	22 / 0.98	20 / 0.98	19 / 0.97	19 / 0.97	19 / 0.97	19 / 0.97
	12.70 [1/2]	22.23 [7/8]	17	9	8 / 1.00	15 / 1.00	23 / 1.00	30 / 0.99	30 / 0.99	30 / 0.99	30 / 0.99	30 / 0.98	30 / 0.98	30 / 0.98	30 / 0.98	30 / 0.98	30 / 0.98
12.3 KW [3.5 Ton]	9.53 [3/8]	19.05 [3/4]	45	30	8 / 0.99	15 / 0.98	23 / 0.97	27 / 0.96	24 / 0.95	22 / 0.94	20 / 0.92	17 / 0.91	15 / 0.90	N/R	N/R	N/R	N/R
	12.70 [1/2]	19.05 [3/4]	23	15	8 / 0.99	15 / 0.98	23 / 0.97	30 / 0.96	30 / 0.95	30 / 0.94	30 / 0.92	30 / 0.91	30 / 0.90	N/R	N/R	N/R	N/R
	9.53 [3/8]	22.23 [7/8]	45	30	8 / 1.00	15 / 1.00	23 / 0.99	27 / 0.99	24 / 0.99	22 / 0.98	20 / 0.97	17 / 0.97	15 / 0.96	13 / 0.96	13 / 0.96	13 / 0.96	13 / 0.96
	12.70 [1/2]	22.23 [7/8]	23	15	8 / 1.00	15 / 1.00	23 / 0.99	30 / 0.99	30 / 0.99	30 / 0.98	30 / 0.97	30 / 0.97	30 / 0.96	30 / 0.96	30 / 0.96	30 / 0.96	30 / 0.96
	9.53 [3/8]	19.05 [3/4]	25	25	8 / 0.99	15 / 0.98	23 / 0.96	24 / 0.95	20 / 0.93	17 / 0.92	14 / 0.91	N/R	N/R	N/R	N/R	N/R	N/R
	12.70 [1/2]	19.05 [3/4]	12	12	8 / 0.99	15 / 0.98	23 / 0.96	30 / 0.95	30 / 0.93	30 / 0.92	30 / 0.91	N/R	N/R	N/R	N/R	N/R	N/R
14.1 KW [4 Ton]	9.53 [3/8]	22.23 [7/8]	25	25	8 / 1.00	15 / 0.99	23 / 0.99	24 / 0.98	20 / 0.97	17 / 0.97	14 / 0.96	11 / 0.96	8 / 0.95	5 / 0.95	5 / 0.95	5 / 0.95	5 / 0.95
	12.70 [1/2]	22.23 [7/8]	12	12	8 / 1.00	15 / 0.99	23 / 0.99	30 / 0.98	30 / 0.97	30 / 0.97	30 / 0.96	30 / 0.96	30 / 0.95	30 / 0.95	30 / 0.95	30 / 0.95	30 / 0.95
	9.53 [3/8]	19.05 [3/4]	0	0	8 / 0.99	15 / 0.97	23 / 0.94	19 / 0.92	14 / 0.90	N/R	N/R	N/R	N/R	N/R	N/R	N/R	N/R
	12.70 [1/2]	19.05 [3/4]	0	0	8 / 0.99	15 / 0.97	23 / 0.94	30 / 0.92	30 / 0.90	N/R	N/R	N/R	N/R	N/R	N/R	N/R	N/R
	9.53 [3/8]	22.23 [7/8]	0	0	8 / 1.00	15 / 0.99	23 / 0.98	19 / 0.97	14 / 0.96	10 / 0.95	5 / 0.94	N/R	N/R	N/R	N/R	N/R	N/R
	12.70 [1/2]	22.23 [7/8]	0	0	8 / 1.00	15 / 0.99	23 / 0.98	30 / 0.97	30 / 0.96	30 / 0.95	30 / 0.94	29 / 0.94	28 / 0.93	27 / 0.92	27 / 0.92	27 / 0.92	27 / 0.92
17.6 KW [5 Ton]	9.53 [3/8]	28.58 [1-1/8]	0	0	8 / 1.01	15 / 1.01	23 / 1.00	19 / 1.00	14 / 0.99	10 / 0.99	5 / 0.99	N/R	N/R	N/R	N/R	N/R	N/R
	12.70 [1/2]	28.58 [1-1/8]	0	0	8 / 1.01	15 / 1.01	23 / 1.00	30 / 1.00	30 / 1.00	30 / 0.99	30 / 0.99	29 / 0.99	28 / 0.99	27 / 0.98	27 / 0.98	27 / 0.98	27 / 0.98
	9.53 [3/8]	19.05 [3/4]	0	0	8 / 0.99	15 / 0.97	23 / 0.94	19 / 0.92	14 / 0.90	N/R	N/R	N/R	N/R	N/R	N/R	N/R	N/R
	12.70 [1/2]	19.05 [3/4]	0	0	8 / 0.99	15 / 0.97	23 / 0.94	30 / 0.92	30 / 0.90	N/R	N/R	N/R	N/R	N/R	N/R	N/R	N/R
	9.53 [3/8]	22.23 [7/8]	0	0	8 / 1.00	15 / 0.99	23 / 0.98	19 / 0.97	14 / 0.96	10 / 0.95	5 / 0.94	N/R	N/R	N/R	N/R	N/R	N/R
	12.70 [1/2]	22.23 [7/8]	0	0	8 / 1.00	15 / 0.99	23 / 0.98	30 / 0.97	30 / 0.96	30 / 0.95	30 / 0.94	29 / 0.94	28 / 0.93	27 / 0.92	27 / 0.92	27 / 0.92	27 / 0.92

NOTES:

- Do not exceed 61 meters linear line length.
- Do not exceed 30 meters vertical separation if outdoor unit is above indoor unit.
- **19.05 mm [3/4 in.] suction line should only be used for 1.5 ton systems if outdoor unit is below or at same level as indoor to assure proper oil return.
- Always use the smallest liquid line allowable to minimize refrigerant charge.
- Applications shaded in light gray indicate capacity multipliers between 0.90 and 0.96 which are not recommended, but are allowed.
- Applications shaded in dark gray are not recommended due to excessive liquid or suction pressure drop.

[J] Designates Metric Conversions

Performance Data @ AHRI Standard Conditions—Cooling

Note: Ratings contained in this document are subject to change. For up-to-date and expanded ratings, please visit the AHRI web site (www.ahrirectory.org).

High Sales Volume Tested Combination (HSVTC)							
Outdoor Unit	Indoor Coil or Air Handler	Total Capacity BTU/H [kW]	Net Sensible BTU/H [kW]	Net Latent BTU/H [kW]	SEER	EER	Indoor CFM [L/s]
WA1418AJ1	TCF2417STA+RXMD-C04	17100 [5.0]	13300 [3.9]	4700 [1.4]	14.00	11.50	600 [283.2]
WA1424C	RCFL-H*2617	23400 [6.9]	16900 [5.0]	6500 [1.9]	14.00	11.50	800 [377.6]
WA1430BJ1	TCF3617STA	28600 [8.4]	21700 [6.4]	6900 [2.0]	14.00	11.50	1000 [471.9]
WA1436BJ1	TCF3621MTA	34200 [10.0]	24500 [7.2]	9700 [2.8]	14.00	11.50	1100 [519.1]
WA1442C	TCF4821MTA	40500 [11.9]	31000 [9.1]	9500 [2.8]	14.00	11.50	1350 [637.1]
WA1448BJ1	TCF4821STA+RXMD-C04	46000 [13.5]	34800 [10.2]	11200 [3.3]	14.00	11.50	1500 [707.9]
WA1460AJ1	TCFL-H*6024+RXMD-C04	57500 [16.9]	41000 [12.0]	18500 [5.4]	14.00	11.50	1600 [755.1]

Coil Only Ratings							
Outdoor Unit	Indoor Coil or Air Handler	Total Capacity BTU/H [kW]	Net Sensible BTU/H [kW]	Net Latent BTU/H [kW]	SEER	EER	Indoor CFM [L/s]
WA1424C	TCF2414STA	23400 [6.9]	17300 [5.1]	6100 [1.8]	14.00	11.50	800 [377.6]
	TCF2417HTA	22800 [6.7]	16200 [4.7]	6600 [1.9]	14.00	11.50	800 [377.6]
	TCF2417MTA	22800 [6.7]	16200 [4.7]	6600 [1.9]	14.00	11.50	800 [377.6]
	TCF2417STA	23200 [6.8]	16900 [5.0]	6300 [1.8]	14.00	11.50	800 [377.6]
	TCF2421MTA	22800 [6.7]	16200 [4.7]	6600 [1.9]	14.00	11.50	800 [377.6]
WA1430BJ1	TCF3621MTA	28600 [8.4]	22800 [6.7]	7200 [2.1]	14.00	11.50	1000 [471.9]
	TCF3621STA	28600 [8.4]	20500 [6.0]	8100 [2.4]	14.00	11.50	1000 [471.9]
	TCF3624MTA	28600 [8.4]	22800 [6.7]	7200 [2.1]	14.00	11.50	1000 [471.9]
WA1436BJ1	TCF3621HTA	34200 [10.0]	23900 [7.0]	11500 [3.4]	14.00	11.50	1200 [566.3]
	TCF3624HTA	34200 [10.0]	24000 [7.0]	11600 [3.4]	14.00	11.50	1200 [566.3]
	TCF3624MTA	34200 [10.0]	24600 [7.2]	10800 [3.2]	14.00	11.50	1200 [566.3]
WA1448BJ1	TCF4821MTA+RXMD-C04	46000 [13.5]	33900 [9.9]	13100 [3.8]	14.00	11.50	1550 [731.5]
	TCF4824HTA+RXMD-C04	46000 [13.5]	34800 [10.2]	13200 [3.9]	14.00	11.50	1600 [755.1]
	TCF4824STA+RXMD-C04	44500 [13.0]	30800 [9.0]	13700 [4.0]	14.00	11.50	1375 [648.9]

[] Designates Metric Conversions

Performance Data @ AHRI Standard Conditions—Cooling (con't.)

Note: Ratings contained in this document are subject to change. For up-to-date and expanded ratings, please visit the AHRI web site (www.ahridirectory.org).

W801T: Single-Stage X-13 80% Furnace Ratings									
Outdoor Unit	Furnace	Indoor Coil	Total Capacity BTU/H [kW]	Net Sensible BTU/H [kW]	Net Latent BTU/H [kW]	SEER	EER	Indoor CFM [L/s]	
WA1418AJ1	W801TA050314M	TCF2417STA	17100 [5.0]	13300 [3.9]	4700 [1.4]	16.00	13.00	625 [295.0]	
	W801TA075317Z	TCF2417STA	17100 [5.0]	13300 [3.9]	4700 [1.4]	16.00	13.00	625 [295.0]	
WA1424C	W801TA050314M	TCF2417MTA	22800 [6.7]	16500 [4.8]	6300 [1.8]	15.10	12.50	850 [401.2]	
	W801TA075317Z	TCF2417MTA	22800 [6.7]	16600 [4.9]	6200 [1.8]	15.10	12.50	875 [413.0]	
WA1430BJ1	W801TA075317Z	TCF3621MTA	28600 [8.4]	22800 [6.7]	7200 [2.1]	16.00	13.00	1050 [495.5]	
		TCF3621STA	28600 [8.4]	21300 [6.2]	7300 [2.1]	15.10	12.50	875 [413.0]	
	W801TA075417M	TCF3621MTA	28600 [8.4]	22800 [6.7]	7200 [2.1]	16.00	13.00	1025 [483.7]	
		TCF3621STA	28600 [8.4]	22300 [6.5]	6900 [2.0]	15.10	12.50	1025 [483.7]	
	W801TA075421M	TCF3621MTA	28600 [8.4]	22800 [6.7]	7200 [2.1]	16.00	13.00	1025 [483.7]	
		TCF3621STA	28600 [8.4]	22300 [6.5]	6900 [2.0]	15.10	12.50	1000 [471.9]	
		TCF3624MTA	28600 [8.4]	22800 [6.7]	7200 [2.1]	16.00	13.00	1025 [483.7]	
	W801TA075521Z	TCF3621MTA	28600 [8.4]	22800 [6.7]	7200 [2.1]	16.00	13.00	975 [460.1]	
		TCF3621STA	28600 [8.4]	22000 [6.4]	7000 [2.1]	15.10	12.50	975 [460.1]	
		TCF3624MTA	28600 [8.4]	22800 [6.7]	7200 [2.1]	16.00	13.00	975 [460.1]	
	W801TA100521M	TCF3621MTA	28600 [8.4]	22800 [6.7]	7200 [2.1]	16.00	13.00	1050 [495.5]	
		TCF3621STA	28600 [8.4]	22000 [6.4]	7000 [2.1]	15.10	12.50	975 [460.1]	
		TCF3624MTA	28600 [8.4]	22800 [6.7]	7200 [2.1]	16.00	13.00	1050 [495.5]	
	W801TA100521Z	TCF3621MTA	28600 [8.4]	22800 [6.7]	7200 [2.1]	16.00	13.00	975 [460.1]	
		TCF3621STA	28600 [8.4]	22000 [6.4]	7000 [2.1]	15.10	12.50	975 [460.1]	
		TCF3624MTA	28600 [8.4]	22800 [6.7]	7200 [2.1]	16.00	13.00	975 [460.1]	
	W801TA125524Z	TCF3624MTA	28600 [8.4]	22800 [6.7]	7200 [2.1]	16.00	13.00	925 [436.6]	
	WA1436BJ1	W801TA075317Z	TCF3621MTA	34200 [10.0]	25000 [7.3]	9800 [2.9]	15.10	12.50	1075 [507.3]
			TCF3621STA	34200 [10.0]	20300 [5.9]	11500 [3.4]	14.00	11.50	850 [401.2]
		W801TA075417M	TCF3621HTA	34200 [10.0]	25100 [7.4]	10900 [3.2]	15.10	12.50	1200 [566.3]
TCF3621MTA			34200 [10.0]	25800 [7.6]	9400 [2.8]	15.10	12.50	1175 [554.5]	
TCF3621STA			34200 [10.0]	21600 [6.3]	11000 [3.2]	14.00	11.50	1000 [471.9]	
W801TA075421M		TCF3621HTA	34200 [10.0]	25700 [7.5]	10300 [3.0]	15.10	12.50	1250 [589.9]	
		TCF3621MTA	34200 [10.0]	24600 [7.2]	10000 [2.9]	15.10	12.50	1025 [483.7]	
		TCF3621STA	34200 [10.0]	21600 [6.3]	11000 [3.2]	14.00	11.50	1000 [471.9]	
		TCF3624HTA	34200 [10.0]	24000 [7.0]	11600 [3.4]	16.00	13.00	1050 [495.5]	
W801TA075521Z		TCF3624MTA	34200 [10.0]	24600 [7.2]	10000 [2.9]	15.10	12.50	1025 [483.7]	
		TCF3621MTA	34200 [10.0]	26200 [7.7]	9200 [2.7]	15.10	12.50	1225 [578.1]	
		TCF3621STA	34200 [10.0]	21000 [6.2]	11200 [3.3]	14.00	11.50	950 [448.4]	
		TCF3624HTA	34200 [10.0]	23600 [6.9]	11800 [3.5]	16.00	13.00	1025 [483.7]	
W801TA100521M		TCF3624MTA	34200 [10.0]	26200 [7.7]	9200 [2.7]	15.10	12.50	1225 [578.1]	
		TCF3621HTA	34200 [10.0]	24100 [7.1]	11500 [3.4]	16.00	13.00	1075 [507.3]	
		TCF3621MTA	34200 [10.0]	24600 [7.2]	10000 [2.9]	15.10	12.50	1050 [495.5]	
		TCF3621STA	34200 [10.0]	21300 [6.2]	11100 [3.3]	14.00	11.50	975 [460.1]	
W801TA100521M		TCF3624HTA	34200 [10.0]	24500 [7.2]	11500 [3.4]	16.00	13.00	1100 [519.1]	
		TCF3624MTA	34200 [10.0]	24600 [7.2]	10000 [2.9]	15.10	12.50	1050 [495.5]	

[] Designates Metric Conversions

Performance Data @ AHRI Standard Conditions—Cooling (con't.)

Note: Ratings contained in this document are subject to change. For up-to-date and expanded ratings, please visit the AHRI web site (www.ahrirectory.org).

W801T: Single-Stage X-13 80% Furnace Ratings								
Outdoor Unit	Furnace	Indoor Coil	Total Capacity BTU/H [kW]	Net Sensible BTU/H [kW]	Net Latent BTU/H [kW]	SEER	EER	Indoor CFM [L/s]
WA1436BJ1	W801TA100521Z	TCF3621MTA	34200 [10.0]	24200 [7.1]	10200 [3.0]	15.10	12.50	975 [460.1]
		TCF3621STA	34200 [10.0]	21000 [6.2]	11200 [3.3]	14.00	11.50	950 [448.4]
		TCF3624HTA	34200 [10.0]	23600 [6.9]	11800 [3.5]	16.00	13.00	1025 [483.7]
		TCF3624MTA	34200 [10.0]	24200 [7.1]	10200 [3.0]	15.10	12.50	975 [460.1]
	W801TA125524M	TCF3624HTA	34200 [10.0]	25700 [7.5]	10300 [3.0]	16.00	13.00	1200 [566.3]
		TCF3624MTA	34200 [10.0]	25700 [7.5]	9500 [2.8]	15.10	12.50	1150 [542.7]
	W801TA125524Z	TCF3624HTA	34200 [10.0]	24700 [7.2]	11300 [3.3]	16.00	13.00	1125 [530.9]
TCF3624MTA		34200 [10.0]	25100 [7.4]	9700 [2.8]	15.10	12.50	1100 [519.1]	
WA1442C	W801TA075317Z	TCF4821MTA	39000 [11.4]	28400 [8.3]	10600 [3.1]	14.00	11.50	1100 [519.1]
	W801TA075417M	TCF4821MTA	40000 [11.7]	30400 [8.9]	9600 [2.8]	14.00	11.50	1300 [613.5]
	W801TA075421M	TCF4821MTA	40000 [11.7]	30000 [8.8]	10000 [2.9]	14.50	12.00	1250 [589.9]
		TCF4824HTA	40000 [11.7]	28400 [8.3]	11600 [3.4]	15.00	12.50	1225 [578.1]
	W801TA075521Z	TCF4821MTA	40000 [11.7]	30000 [8.8]	10000 [2.9]	14.00	11.50	1250 [589.9]
		TCF4824HTA	40000 [11.7]	29800 [8.7]	10200 [3.0]	14.50	12.00	1450 [684.3]
	W801TA100521M	TCF4821MTA	39500 [11.6]	29000 [8.5]	11000 [3.2]	15.00	12.50	1075 [507.3]
		TCF4824HTA	40000 [11.7]	29200 [8.6]	10800 [3.2]	15.10	12.50	1350 [637.1]
	W801TA100521MUA	TCF4821MTA	40000 [11.7]	30000 [8.8]	10000 [2.9]	14.50	12.00	1250 [589.9]
		TCF4824HTA	40000 [11.7]	28600 [8.4]	11400 [3.3]	14.50	12.00	1250 [589.9]
	W801TA100521Z	TCF4821MTA	40000 [11.7]	30000 [8.8]	10000 [2.9]	14.00	11.50	1250 [589.9]
		TCF4824HTA	40000 [11.7]	29700 [8.7]	10300 [3.0]	14.50	12.00	1450 [684.3]
	W801TA125524M	TCF4824HTA	40000 [11.7]	29400 [8.6]	10600 [3.1]	15.10	12.50	1400 [660.7]
	W801TA125524Z	TCF4824HTA	39500 [11.6]	27400 [8.0]	12100 [3.5]	15.10	12.50	1125 [530.9]
WA1448BJ1	W801TA075421M	TCF4824STA	46000 [13.5]	34100 [10.0]	11900 [3.5]	14.00	11.50	1400 [660.7]
	W801TA075521Z	TCF4824STA	45000 [13.2]	32000 [9.4]	13000 [3.8]	14.00	11.50	1225 [578.1]
	W801TA100521M	TCF4824STA	46000 [13.5]	36400 [10.7]	10600 [3.1]	14.00	11.50	1600 [755.1]
	W801TA100521Z	TCF4824STA	46000 [13.5]	34100 [10.0]	11900 [3.5]	14.00	11.50	1400 [660.7]
	W801TA125524M	TCF4824STA	46000 [13.5]	36400 [10.7]	10600 [3.1]	14.00	11.50	1600 [755.1]
	W801TA125524Z	TCF4824STA	45500 [13.3]	33100 [9.7]	12400 [3.6]	14.00	11.50	1325 [625.3]
WA1460AJ1	W801TA075421M	TCFL-H*6024	57000 [16.7]	42000 [12.3]	18000 [5.3]	14.00	11.50	1675 [790.5]
	W801TA075521Z	TCFL-H*6024	57000 [16.7]	42200 [12.4]	17800 [5.2]	14.00	11.50	1700 [802.3]
	W801TA100521M	TCFL-H*6024	57000 [16.7]	41300 [12.1]	18700 [5.5]	14.00	11.50	1850 [873.1]
	W801TA100521Z	TCFL-H*6024	57000 [16.7]	42200 [12.4]	17800 [5.2]	14.00	11.50	1700 [802.3]
	W801TA125524M	TCFL-H*6024	57000 [16.7]	41300 [12.1]	18700 [5.5]	14.00	11.50	1775 [837.7]
	W801TA125524Z	TCFL-H*6024	57000 [16.7]	42000 [12.3]	18000 [5.3]	14.00	11.50	1675 [790.5]

[] Designates Metric Conversions

Performance Data @ AHRI Standard Conditions—Cooling (con't.)

Note: Ratings contained in this document are subject to change. For up-to-date and expanded ratings, please visit the AHRI web site (www.ahridirectory.org).

W95T: 95% AFUE single-stage Constant Torque Multipoise Gas Furnace Ratings								
Outdoor Unit	Furnace	Indoor Coil	Total Capacity BTU/H [kW]	Net Sensible BTU/H [kW]	Net Latent BTU/H [kW]	SEER	EER	Indoor CFM [L/s]
WA1418AJ1	W95TC0401317M	TCF2417STA	17100 [5.0]	13300 [3.9]	4700 [1.4]	15.10	12.50	625 [295.0]
	W95TC0601317M	TCF2417STA	17100 [5.0]	13300 [3.9]	4700 [1.4]	15.10	12.50	600 [283.2]
WA1424C	W95TC0401317M	TCF2417MTA	22800 [6.7]	16600 [4.9]	6200 [1.8]	15.10	12.50	875 [413.0]
	W95TC0601317M	TCF2417MTA	22800 [6.7]	16400 [4.8]	6400 [1.9]	15.10	12.50	850 [401.2]
	W95TC0701317M	TCF2417MTA	22800 [6.7]	16400 [4.8]	6400 [1.9]	15.10	12.50	850 [401.2]
WA1430BJ1	W95TC0401317M	TCF3621MTA	28600 [8.4]	22800 [6.7]	7200 [2.1]	16.00	13.00	975 [460.1]
		TCF3621STA	28600 [8.4]	21800 [6.4]	7000 [2.1]	15.10	12.50	975 [460.1]
	W95TC0601317M	TCF3621MTA	28600 [8.4]	22800 [6.7]	7200 [2.1]	16.00	13.00	925 [436.6]
		TCF3621STA	28600 [8.4]	21400 [6.3]	7200 [2.1]	15.10	12.50	925 [436.6]
	W95TC0701317M	TCF3621MTA	28600 [8.4]	22800 [6.7]	7200 [2.1]	16.00	13.00	950 [448.4]
		TCF3621STA	28600 [8.4]	21800 [6.4]	7000 [2.1]	15.10	12.50	950 [448.4]
WA1436BJ1	W95TC0401317M	TCF3621HTA	34200 [10.0]	24000 [7.0]	11400 [3.3]	15.10	12.50	1100 [519.1]
		TCF3621MTA	34200 [10.0]	24000 [7.0]	10200 [3.0]	15.00	12.00	975 [460.1]
		TCF3621STA	34200 [10.0]	21800 [6.4]	10800 [3.2]	14.00	11.50	1050 [495.5]
	W95TC0601317M	TCF3621HTA	34200 [10.0]	22600 [6.6]	12000 [3.5]	15.10	12.50	950 [448.4]
		TCF3621MTA	34200 [10.0]	23400 [6.9]	10400 [3.0]	15.00	12.00	925 [436.6]
		TCF3621STA	34200 [10.0]	20400 [6.0]	11400 [3.3]	14.00	11.50	900 [424.8]
	W95TC0701317M	TCF3621HTA	34200 [10.0]	23800 [7.0]	11400 [3.3]	15.10	12.50	1075 [507.3]
		TCF3621MTA	34200 [10.0]	23700 [6.9]	10300 [3.0]	15.00	12.00	950 [448.4]
		TCF3621STA	34200 [10.0]	20700 [6.1]	11300 [3.3]	14.00	11.50	925 [436.6]
	W95TC0851521M	TCF3621HTA	34200 [10.0]	25300 [7.4]	10700 [3.1]	15.10	12.50	1250 [589.9]
		TCF3621MTA	34200 [10.0]	26000 [7.6]	9200 [2.7]	14.00	11.50	1225 [578.1]
		TCF3624HTA	34200 [10.0]	25700 [7.5]	10300 [3.0]	15.10	12.50	1275 [601.7]
TCF3624MTA		34200 [10.0]	26000 [7.6]	9200 [2.7]	14.00	11.50	1225 [578.1]	
WA1442C	W95TC0401317M	TCF4821MTA	39000 [11.4]	29100 [8.5]	9900 [2.9]	14.00	11.50	1225 [578.1]
	W95TC0601317M	TCF4821MTA	39500 [11.6]	28500 [8.4]	11000 [3.2]	14.00	11.50	1075 [507.3]
	W95TC0701317M	TCF4821MTA	39500 [11.6]	29200 [8.6]	10300 [3.0]	14.00	11.50	1200 [566.3]
	W95TC0851521M	TCF4821MTA	40000 [11.7]	30000 [8.8]	10000 [2.9]	14.00	11.50	1250 [589.9]
		TCF4824HTA	40000 [11.7]	28600 [8.4]	11400 [3.3]	14.00	11.50	1275 [601.7]
	W95TC1001521M	TCF4821MTA	40000 [11.7]	31400 [9.2]	8600 [2.5]	14.00	11.50	1450 [684.3]
		TCF4824HTA	40000 [11.7]	29800 [8.7]	10200 [3.0]	14.00	11.50	1475 [696.1]
	W95TC1151524M	TCF4824HTA	40000 [11.7]	29000 [8.5]	11000 [3.2]	14.00	11.50	1350 [637.1]
WA1448BJ1	W95TC0851521M	TCF4824HTA	46000 [13.5]	31800 [9.3]	14700 [4.3]	15.10	12.50	1250 [589.9]
		TCF4824STA	45000 [13.2]	31900 [9.3]	13100 [3.8]	14.00	11.50	1225 [578.1]
	W95TC1001521M	TCF4824HTA	46000 [13.5]	35400 [10.4]	12600 [3.7]	14.00	11.50	1575 [743.3]
		TCF4824STA	45500 [13.3]	33600 [9.8]	11900 [3.5]	14.00	11.50	1400 [660.7]
	W95TC1151524M	TCF4824HTA	46000 [13.5]	34300 [10.1]	13200 [3.9]	15.10	12.50	1475 [696.1]
		TCF4824STA	45500 [13.3]	33000 [9.7]	12500 [3.7]	14.00	11.50	1300 [613.5]
WA1460AJ1	W95TC0851521M	TCFL-H*6024	57000 [16.7]	40600 [11.9]	18900 [5.5]	14.00	11.50	1550 [731.5]
	W95TC1001521M	TCFL-H*6024	57000 [16.7]	40800 [12.0]	18700 [5.5]	14.00	11.50	1600 [755.1]
	W95TC1151524M	TCFL-H*6024	57000 [16.7]	40700 [11.9]	18800 [5.5]	14.00	11.50	1575 [743.3]

[] Designates Metric Conversions

Performance Data @ AHRI Standard Conditions—Cooling (con't.)

Note: Ratings contained in this document are subject to change. For up-to-date and expanded ratings, please visit the AHRI web site (www.ahrirectory.org).

W96TA Ratings								
Outdoor Unit	Furnace	Indoor Coil	Total Capacity BTU/H [kW]	Net Sensible BTU/H [kW]	Net Latent BTU/H [kW]	SEER	EER	Indoor CFM [L/s]
WA1418AJ1	W96TA0402317M	TCF2417STA	17100 [5.0]	13300 [3.9]	4700 [1.4]	15.10	12.50	625 [295.0]
WA1424C	W96TA0402317M	TCF2417MTA	22800 [6.7]	16200 [4.7]	6600 [1.9]	15.10	12.50	775 [365.8]
	W96TA0602317M	TCF2417MTA	22800 [6.7]	16300 [4.8]	6500 [1.9]	15.10	12.50	800 [377.6]
	W96TA0702317M	TCF2417MTA	22800 [6.7]	16400 [4.8]	6400 [1.9]	15.10	12.50	850 [401.2]
WA1430BJ1	W96TA0402317M	TCF3617STA	28600 [8.4]	21400 [6.3]	7200 [2.1]	15.10	12.50	900 [424.8]
		TCF3621HTA	28600 [8.4]	22800 [6.7]	7200 [2.1]	16.00	13.00	1050 [495.5]
		TCF3621MTA	28600 [8.4]	22800 [6.7]	7200 [2.1]	16.00	13.00	900 [424.8]
		TCF3621STA	28600 [8.4]	21400 [6.3]	7200 [2.1]	15.10	12.50	900 [424.8]
	W96TA0702317M	TCF3621MTA	28600 [8.4]	22800 [6.7]	7200 [2.1]	16.00	13.00	975 [460.1]
		TCF3621STA	28600 [8.4]	21000 [6.2]	7400 [2.2]	15.10	13.00	850 [401.2]
	W96TA0852521M	TCF3621MTA	28600 [8.4]	22800 [6.7]	7200 [2.1]	16.00	13.00	1050 [495.5]
		TCF3621STA	28600 [8.4]	22600 [6.6]	6600 [1.9]	15.00	12.00	1050 [495.5]
		TCF3624MTA	28600 [8.4]	22800 [6.7]	7200 [2.1]	16.00	13.00	1050 [495.5]
	W96TA1002521M	TCF3621MTA	28600 [8.4]	22800 [6.7]	7200 [2.1]	16.00	13.00	1050 [495.5]
		TCF3621STA	28600 [8.4]	22600 [6.6]	6600 [1.9]	15.00	12.00	1050 [495.5]
		TCF3624MTA	28600 [8.4]	22800 [6.7]	7200 [2.1]	16.00	13.00	1050 [495.5]
W96TA1152524M	TCF3624MTA	28600 [8.4]	22800 [6.7]	7200 [2.1]	16.00	13.00	1050 [495.5]	
WA1436BJ1	W96TA0402317M	TCF3621HTA	34200 [10.0]	23500 [6.9]	11500 [3.4]	15.10	12.50	1050 [495.5]
		TCF3621MTA	34200 [10.0]	24400 [7.2]	10000 [2.9]	14.00	11.50	1050 [495.5]
		TCF3621STA	34200 [10.0]	21400 [6.3]	11000 [3.2]	14.00	11.50	1000 [471.9]
	W96TA0702317M	TCF3621HTA	34200 [10.0]	24100 [7.1]	11300 [3.3]	15.10	12.50	1125 [530.9]
		TCF3621MTA	34200 [10.0]	23700 [6.9]	10300 [3.0]	15.10	12.50	975 [460.1]
		TCF3621STA	34200 [10.0]	21800 [6.4]	10800 [3.2]	14.00	11.50	1050 [495.5]
	W96TA0852521M	TCF3621HTA	34200 [10.0]	25400 [7.4]	10600 [3.1]	15.10	12.50	1250 [589.9]
		TCF3621MTA	34200 [10.0]	24900 [7.3]	9900 [2.9]	15.00	12.00	1075 [507.3]
		TCF3621STA	34200 [10.0]	21700 [6.4]	10900 [3.2]	14.00	11.50	1025 [483.7]
		TCF3624HTA	34200 [10.0]	24400 [7.2]	11400 [3.3]	15.10	12.50	1100 [519.1]
	W96TA1002521M	TCF3624MTA	34200 [10.0]	24900 [7.3]	9900 [2.9]	15.00	12.00	1075 [507.3]
		TCF3621HTA	34200 [10.0]	25300 [7.4]	10700 [3.1]	15.10	12.50	1250 [589.9]
		TCF3621MTA	34200 [10.0]	25000 [7.3]	9800 [2.9]	15.10	12.50	1100 [519.1]
		TCF3621STA	34200 [10.0]	21800 [6.4]	10800 [3.2]	14.00	11.50	1050 [495.5]
	W96TA1152524M	TCF3624HTA	34200 [10.0]	24500 [7.2]	11300 [3.3]	15.10	12.50	1125 [530.9]
		TCF3624MTA	34200 [10.0]	25000 [7.3]	9800 [2.9]	15.10	12.50	1100 [519.1]
		TCF3624HTA	34200 [10.0]	25700 [7.5]	10300 [3.0]	15.10	12.50	1275 [601.7]
		TCF3624MTA	34200 [10.0]	25100 [7.4]	9700 [2.8]	15.10	12.50	1125 [530.9]

[] Designates Metric Conversions

Performance Data @ AHRI Standard Conditions—Cooling (con't.)

Note: Ratings contained in this document are subject to change. For up-to-date and expanded ratings, please visit the AHRI web site (www.ahrirectory.org).

W96TA Ratings								
Outdoor Unit	Furnace	Indoor Coil	Total Capacity BTU/H [kW]	Net Sensible BTU/H [kW]	Net Latent BTU/H [kW]	SEER	EER	Indoor CFM [L/s]
WA1442C	W96TA0402317M	TCF4821MTA	40000 [11.7]	29700 [8.7]	10300 [3.0]	14.00	11.50	1200 [566.3]
	W96TA0602317M	TCF4821MTA	39500 [11.6]	28500 [8.4]	11000 [3.2]	14.00	11.50	1100 [519.1]
	W96TA0702317M	TCF4821MTA	40000 [11.7]	30000 [8.8]	10000 [2.9]	14.00	11.50	1250 [589.9]
	W96TA0852521M	TCF4821MTA	40000 [11.7]	29100 [8.5]	10900 [3.2]	14.00	11.50	1100 [519.1]
		TCF4824HTA	40000 [11.7]	28600 [8.4]	11400 [3.3]	14.50	12.00	1275 [601.7]
	W96TA1002521M	TCF4821MTA	40000 [11.7]	29200 [8.6]	10800 [3.2]	14.50	12.00	1125 [530.9]
		TCF4824HTA	40000 [11.7]	28400 [8.3]	11600 [3.4]	14.50	12.00	1275 [601.7]
W96TA1152524M	TCF4824HTA	40000 [11.7]	28700 [8.4]	11300 [3.3]	14.50	12.00	1300 [613.5]	
WA1448BJ1	W96TA0852521M	TCF4824HTA	46000 [13.5]	31800 [9.3]	14700 [4.3]	15.10	12.50	1250 [589.9]
		TCF4824STA	45000 [13.2]	32000 [9.4]	13000 [3.8]	14.00	11.50	1225 [578.1]
	W96TA1002521M	TCF4824HTA	46000 [13.5]	31800 [9.3]	14700 [4.3]	15.10	12.50	1250 [589.9]
		TCF4824STA	45000 [13.2]	31900 [9.3]	13100 [3.8]	14.00	11.50	1200 [566.3]
	W96TA1152524M	TCF4824HTA	46000 [13.5]	33800 [9.9]	13700 [4.0]	15.10	12.50	1400 [660.7]
		TCF4824STA	45000 [13.2]	32100 [9.4]	12900 [3.8]	14.00	11.50	1250 [589.9]
WA1460AJ1	W96TA0852521M	TCFL-H*6024	57000 [16.7]	40700 [11.9]	18800 [5.5]	14.00	11.50	1575 [743.3]
	W96TA1002521M	TCFL-H*6024	57000 [16.7]	40700 [11.9]	18800 [5.5]	14.00	11.50	1600 [755.1]
	W96TA1152524M	TCFL-H*6024	57000 [16.7]	41000 [12.0]	18500 [5.4]	14.00	11.50	1625 [766.9]

[] Designates Metric Conversions

Performance Data @ AHRI Standard Conditions—Cooling (con't.)

Note: Ratings contained in this document are subject to change. For up-to-date and expanded ratings, please visit the AHRI web site (www.ahrirectory.org).

Air Handler Ratings							
Outdoor Unit	Indoor Coil or Air Handler	Total Capacity BTU/H [kW]	Net Sensible BTU/H [kW]	Net Latent BTU/H [kW]	SEER	EER	Indoor CFM [L/s]
WA1418AJ1	WBHP-17	17100 [5.0]	13300 [3.9]	4700 [1.4]	16.00	13.00	600 [283.2]
	WH1P1817STAN	17100 [5.0]	13300 [3.9]	4700 [1.4]	14.00	11.50	600 [283.2]
	WH1T2417STAN	17100 [5.0]	13300 [3.9]	4700 [1.4]	16.00	13.00	600 [283.2]
WA1424C	RF1T2421MTAN	23800 [7.0]	17800 [5.2]	6000 [1.8]	14.00	11.50	800 [377.6]
	WBHP-17	23400 [6.9]	15800 [4.6]	7600 [2.2]	15.00	12.50	800 [377.6]
	WH1P2417STAN	23400 [6.9]	17100 [5.0]	6300 [1.8]	14.00	11.50	800 [377.6]
WA1430BJ1	WH1T2417STAN	23800 [7.0]	17500 [5.1]	6300 [1.8]	14.00	11.50	800 [377.6]
	RF1P3024STAN	28600 [8.4]	21700 [6.4]	7900 [2.3]	14.00	11.50	900 [424.8]
	RF1P3624STAN	28600 [8.4]	22800 [6.7]	7200 [2.1]	14.00	11.50	1050 [495.5]
	RF1T3624MTAN	28600 [8.4]	22800 [6.7]	7200 [2.1]	16.00	13.00	1025 [483.7]
	WBHP-21	28600 [8.4]	20300 [5.9]	9500 [2.8]	16.00	13.00	1000 [471.9]
	WH1P3017STAN	28600 [8.4]	21600 [6.3]	7000 [2.1]	14.00	11.50	950 [448.4]
	WH1T3617STAN	28600 [8.4]	22300 [6.5]	6900 [2.0]	15.10	12.50	1000 [471.9]
WA1436BJ1	WH1T3621MTAN	28600 [8.4]	22800 [6.7]	7200 [2.1]	16.00	13.00	975 [460.1]
	RF1T3624MTAN	34200 [10.0]	23400 [6.9]	10800 [3.2]	15.00	12.50	1025 [483.7]
	WBHP-21	34200 [10.0]	22000 [6.4]	12000 [3.5]	15.00	12.50	1200 [566.3]
	WH1T3617STAN	34200 [10.0]	23200 [6.8]	10200 [3.0]	14.00	11.50	1200 [566.3]
	WH1T3621HTAN	34200 [10.0]	25100 [7.4]	10900 [3.2]	15.10	12.50	1200 [566.3]
WA1442C	WH1T3621MTAN	34200 [10.0]	25500 [7.5]	9500 [2.8]	15.00	12.50	1150 [542.7]
	WBHP-24	40000 [11.7]	27500 [8.1]	12500 [3.7]	14.00	11.50	1400 [660.7]
WA1448BJ1	WH1T4821MTAN	41500 [12.2]	32300 [9.5]	9200 [2.7]	14.00	11.50	1400 [660.7]
	WBHP-24	45500 [13.3]	30100 [8.8]	15400 [4.5]	14.00	11.50	1400 [660.7]
	WH1T4821MTAN	46000 [13.5]	35600 [10.4]	12400 [3.6]	14.00	11.50	1600 [755.1]
	WH1T4821STAN	46000 [13.5]	36300 [10.6]	10700 [3.1]	14.00	11.50	1575 [743.3]
WA1460AJ1	WH1T4824STAN	46000 [13.5]	36100 [10.6]	10900 [3.2]	14.00	11.50	1550 [731.5]
WA1460AJ1	RHLL-HM6024	57500 [16.9]	41300 [12.1]	18700 [5.5]	14.00	11.50	1800 [849.5]

[] Designates Metric Conversions

GENERAL TERMS OF LIMITED WARRANTY*

WeatherKing will furnish a replacement for any part of this product which fails in normal use and service within the applicable period stated, in accordance with the terms of the limited warranty.

Parts.....Five (5) Years

***For complete details of the Limited and Conditional Warranties, including applicable terms and conditions, contact your local contractor or the Manufacturer for a copy of the product warranty certificate.**

Before proceeding with installation, refer to installation instructions packaged with each model, as well as complying with all Federal, State, Provincial, and Local codes, regulations, and practices.



"In keeping with its policy of continuous progress and product improvement, WeatherKing reserves the right to make changes without notice."