

To install the engine block/battery heater:

1. Work on a unit that has cooled completely. Open the roof on the unit. Put the engine start switch in the "OFF" position and remove the 7.5A main fuse from the fuse holder. Disconnect (by using the transfer switch) any AC inputs to the unit.
2. Remove the door; then remove the screws securing the control panel cover over the control panel. Using a clean towel, wipe the bottom of the battery and engine block to remove any dirt, oil or contaminants (Figure 1).
3. Place the battery heater under the battery (Figure 2).
4. Sand the bottom of engine block where the engine block heater will be located with the included 180 grit sandpaper until the surface is smooth.
5. Using a clean towel, wipe the bottom of the engine block to remove any debris from sanding.
6. Wipe the bottom of the engine block with the included alcohol pad. Allow surface to dry for 2 minutes.
7. Orient the engine block heater so the wires are aligned to run along the generator air intake. Make sure application temperature is at least 50° F. If air temperature is less than 50° F, run the generator in the MANUAL mode for 5 to 10 minutes. CAUTION must be used as surfaces now may be HOT.
8. Position the engine block heater directly under the engine block. With the adhesive not exposed line it up under the engine block to determine the placement. Once the adhesive touches the engine block surface peeling it back will ruin the adhesive. Being careful not to touch the adhesive peel the backing off to expose the adhesive and press it firmly to the clean area of the engine block (Figure 3).
9. Plug the battery heater connector and the engine block heater connector into the mating accessory connectors on the generator harness if present (Figure 4). Then skip to step 12. If accessory connectors are not present on the generator harness, plug each heater connector into an extension wire provided with the kit and proceed to step 10.
10. Pull one wire extension under the alternator to the far side of the unit. Tie wrap the engine block heater wires to the large wire harness located near the back wall of the generator so they don't pull down on the engine block heater after installation. Pass the wires through the rubber grommet at the top of the dividing panel and bring them to the 240 VAC terminal block. Route the other connector extension down to the battery heater (Figure 5).
11. Attach the wires to the 240 VAC Input Sense terminal block. **THE ENGINE BLOCK HEATER REQUIRES 240 VAC TO OPERATE!**
12. Replace the control panel cover and secure it with the screws removed in step 2. Replace the door. Replace the 7.5A DC fuse and reconnect the AC power supply to the unit. Set the engine start switch to the desired position and close the roof.

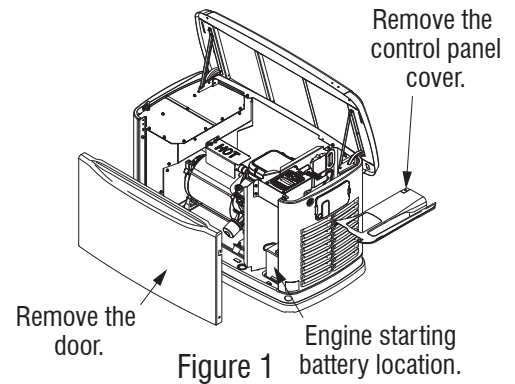


Figure 1

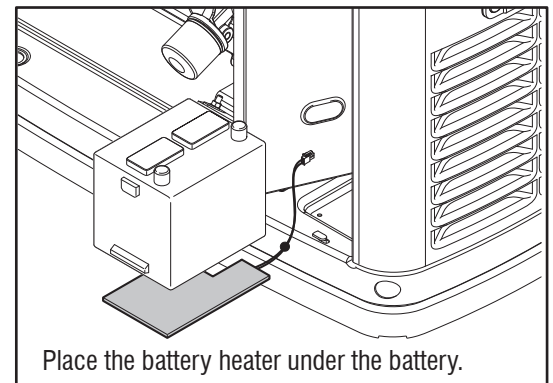


Figure 2

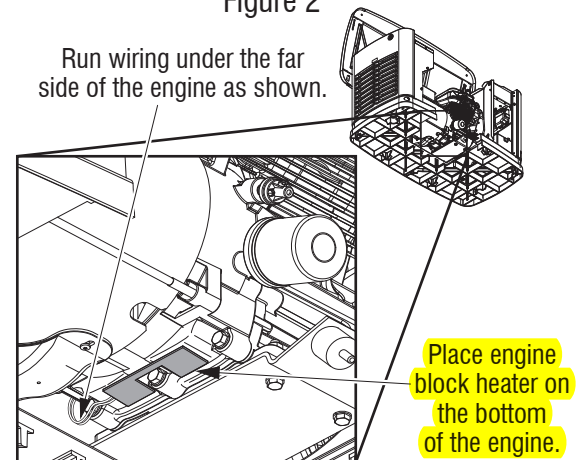
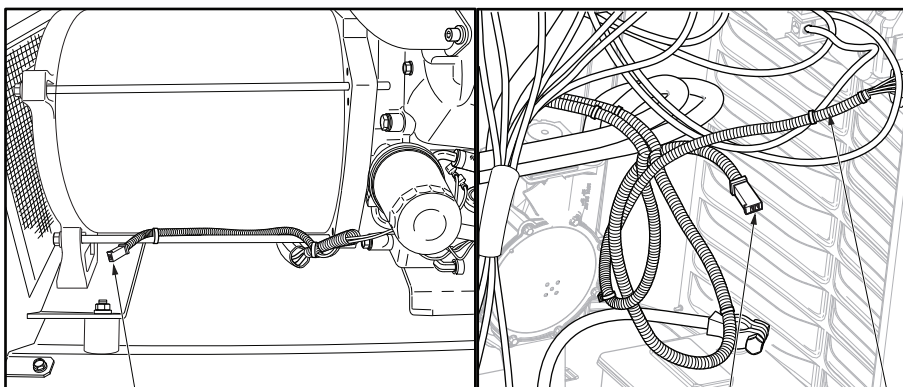


Figure 3



The accessory wire with connector for the engine block heater would be tie wrapped to the lower stator bolt if present.

The accessory wire with connector for the battery heater would be tie wrapped to the LED wire in the battery compartment if present.

Figure 4

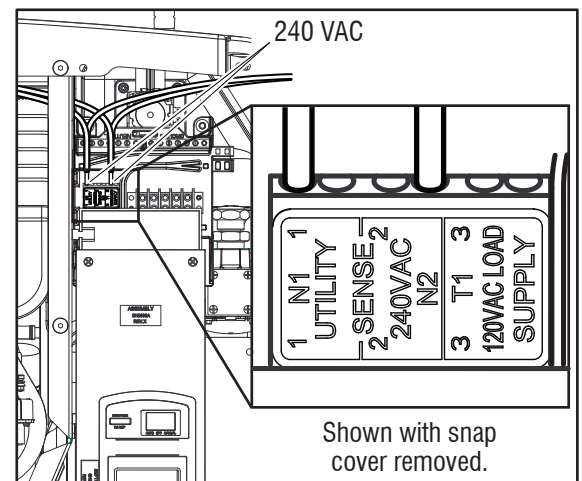


Figure 5