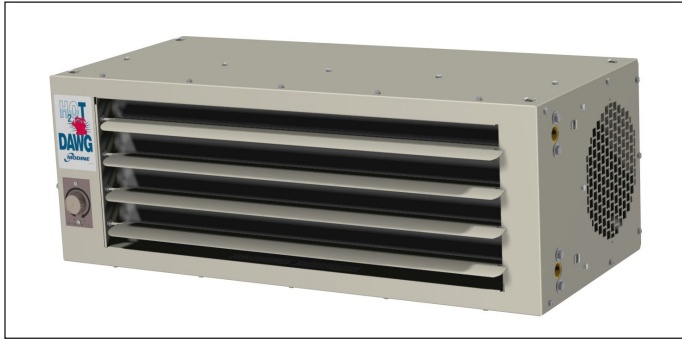




1-500.5
5H0815010000

December, 2023

INSTALLATION AND SERVICE MANUAL HOT DAWG H2O® - Low Profile Hot Water Unit Heater Model HDD



! WARNING

Improper installation, adjustment, alteration, service or maintenance can cause property damage, injury or death. Read the installation, operating and maintenance instructions thoroughly before installing or servicing this equipment.

Inspection On Arrival

1. Inspect unit upon arrival. In case of damage, report it immediately to transportation company and your local factory sales representative.
2. Check rating plate on unit to verify that power supply meets available electric power at point of installation.
3. Inspect unit received for conformance with description of product ordered (including specifications where applicable).

IMPORTANT

The use of this manual is specifically intended for a qualified installation and service agency. A qualified installation and service agency must perform all installation and service of these appliances.

Table of Contents

| | |
|-------------------------------------|-----------|
| General Information..... | 1 |
| Inspection on Arrival | 1 |
| Special Precautions..... | 2 |
| SI (Metric) Conversion Factors..... | 2 |
| Installation | 3-6 |
| Unit Location | 3 |
| Unit Mounting..... | 4-5 |
| Hot Water Piping..... | 6 |
| Electrical Connections | 6 |
| Start-Up Procedure..... | 7-10 |
| Prior to Operation..... | 7 |
| Initial Start-up..... | 7 |
| Typical Sequence of Operation..... | 7 |
| Troubleshooting | 7 |
| Blower Removal Instructions | 8-10 |
| Unit Data..... | 11-13 |
| Dimensions | 11 |
| Electrical Data..... | 11 |
| Mechanical Data | 11 |
| Performance Data..... | 12 |
| Maintenance/Replacement Parts | 13 |
| Warranty | Back Page |

General Information

Installation and service instructions in this manual are applicable to model HDD, low profile hot water unit heaters, which should be installed in their proper applications for their most effective function as heating units.

The water coils are warranted for operation at water pressures up to 150 psi and temperatures up to 200°F.

Motors are designed for continuous duty. They can operate in a maximum ambient temperature of 104°F (40°C).

The unit heaters are listed by ETL as certified. Units not approved for use in potable water systems.

SPECIAL PRECAUTIONS

SPECIAL PRECAUTIONS

THE INSTALLATION AND MAINTENANCE INSTRUCTIONS IN THIS MANUAL MUST BE FOLLOWED TO PROVIDE SAFE, EFFICIENT AND TROUBLE-FREE OPERATION. IN ADDITION, PARTICULAR CARE MUST BE EXERCISED REGARDING THE SPECIAL PRECAUTIONS LISTED BELOW. FAILURE TO PROPERLY ADDRESS THESE CRITICAL AREAS COULD RESULT IN PROPERTY DAMAGE OR LOSS, PERSONAL INJURY, OR DEATH. THESE INSTRUCTIONS ARE SUBJECT TO ANY MORE RESTRICTIVE LOCAL OR NATIONAL CODES.

HAZARD INTENSITY LEVELS

1. **DANGER:** Indicates an imminently hazardous situation which, if not avoided, WILL result in death or serious injury.
2. **WARNING:** Indicates a potentially hazardous situation which, if not avoided, COULD result in death or serious injury.
3. **CAUTION:** Indicates a potentially hazardous situation which, if not avoided, MAY result in minor or moderate injury.
4. **IMPORTANT:** Indicates a situation which, if not avoided, MAY result in a potential safety concern.



DANGER

Units must not be installed where they may be exposed to potentially explosive or flammable atmosphere.



WARNING

1. Disconnect power supply before making wiring connections to prevent electrical shock and equipment damage.
2. All appliances must be wired strictly in accordance with wiring diagram furnished with the appliance. Any wiring different from the wiring diagram could result in a hazard to persons and property.
3. Any original factory wiring that requires replacement must be replaced with wiring material having a temperature rating of at least 105°C.
4. Ensure that the supply voltage to the appliance as indicated on the serial plate, is not 5% greater than the rated voltage.
5. When servicing or repairing this equipment, use only factory-approved service replacement parts. A complete replacement parts list may be obtained by contacting Modine Manufacturing Company. Refer to the rating plate on the appliance for complete appliance model number, serial number, and company address. Any substitution of parts or controls not approved by the factory will be at the owner's risk.



CAUTION

1. All literature shipped with this unit should be kept for future use for servicing or service diagnostics. Leave manual with the owner. Do not discard any literature shipped with this unit.
2. Consult piping and electrical instructions in this manual before final installation.
3. Units are designed for use in heating applications with ambient temperatures between 40°F and 100°F. Heaters should not be used in applications where the heated space temperature is below 40°F unless a glycol anti-freeze solution has been added.



CAUTION

4. Units not approved for use in potable water systems.
5. Do not install units below 7' measured from the bottom of the unit to the floor in commercial applications (unless unit is properly guarded to provide user protection from moving parts) and 5' measured from the bottom of the unit to the floor in residential applications.
6. Do not reuse any mechanical or electrical components which have been wet. Replace defective components.
7. Do not operate the unit with steam. The coil is not designed for steam condensate removal which can damage the unit.
8. Ensure the supply voltage to the appliance, as indicated on the serial plate, is not 5% less than the rated voltage.

IMPORTANT

1. This appliance is not intended for use by persons (including children) with reduced physical, sensory or mental capabilities, or lack of experience and knowledge, unless they have been given supervision or instruction concerning use of the appliance by a person responsible for their safety. Children should be supervised to ensure that they do not play with the appliance.
2. Start-up and adjustment procedures should be performed by a qualified service agency.
3. Be sure no obstructions block air intake and discharge of unit heaters. Do not attach ductwork or air filters to this unit heater. Maintain a minimum of 6" clearance to inlet openings.
4. When mounting the unit to the joists, do not compress the vibration isolators by over tightening the lag bolt screws into the joist. Doing so will greatly reduce the ability of the isolator to dampen vibration.
5. No water-flow can cause a freeze condition resulting in damage to the coil.
6. Never leave the unit filled with water in a building without heat unless antifreeze has been added.
7. To check most of the Possible Remedies in the troubleshooting guide listed in Table 7.1, refer to the applicable sections of the manual.

SI (METRIC) CONVERSION FACTORS

Table 2.1

| To Convert | Multiply By | To Obtain |
|----------------------------|---------------|---------------------|
| "W.C. | 0.249 | kPa |
| °F | (°F-32) x 5/9 | °C |
| Btu | 1.06 | kJ |
| Btu/ft ² | 37.3 | kJ/m ² |
| Btu/hr | 0.000293 | kW |
| CFH (ft ³ /hr) | 0.000472 | m ³ /min |
| CFH (ft ³ /hr) | 0.0000787 | m ³ /s |
| CFM (ft ³ /min) | 0.0283 | m ³ /min |
| CFM (ft ³ /min) | 0.000472 | m ³ /s |

| To Convert | Multiply By | To Obtain |
|------------|-------------|--------------------|
| feet | 0.305 | m |
| Gal/Hr. | 0.00379 | m ³ /hr |
| Gal/Hr. | 3.79 | l/hr |
| gallons | 3.79 | l |
| Horsepower | 746 | W |
| inches | 25.4 | mm |
| pound | 0.454 | kg |
| psig | 6.89 | kPa |
| psig | 27.7 | "W.C. |

INSTALLATION / UNIT LOCATION

UNIT LOCATION

DANGER

Units must not be installed where they may be exposed to potentially explosive or flammable atmosphere.

CAUTION

1. All literature shipped with this unit should be kept for future use for servicing or service diagnostics. Leave manual with the owner. Do not discard any literature shipped with this unit.
2. Consult piping and electrical instructions in this manual before final installation.
3. Units are designed for use in heating applications with ambient temperatures between 40°F and 100°F. Heaters should not be used in applications where the heated space temperature is below 40°F unless a glycol anti-freeze solution has been added.
4. Units not approved for use in potable water systems.

IMPORTANT

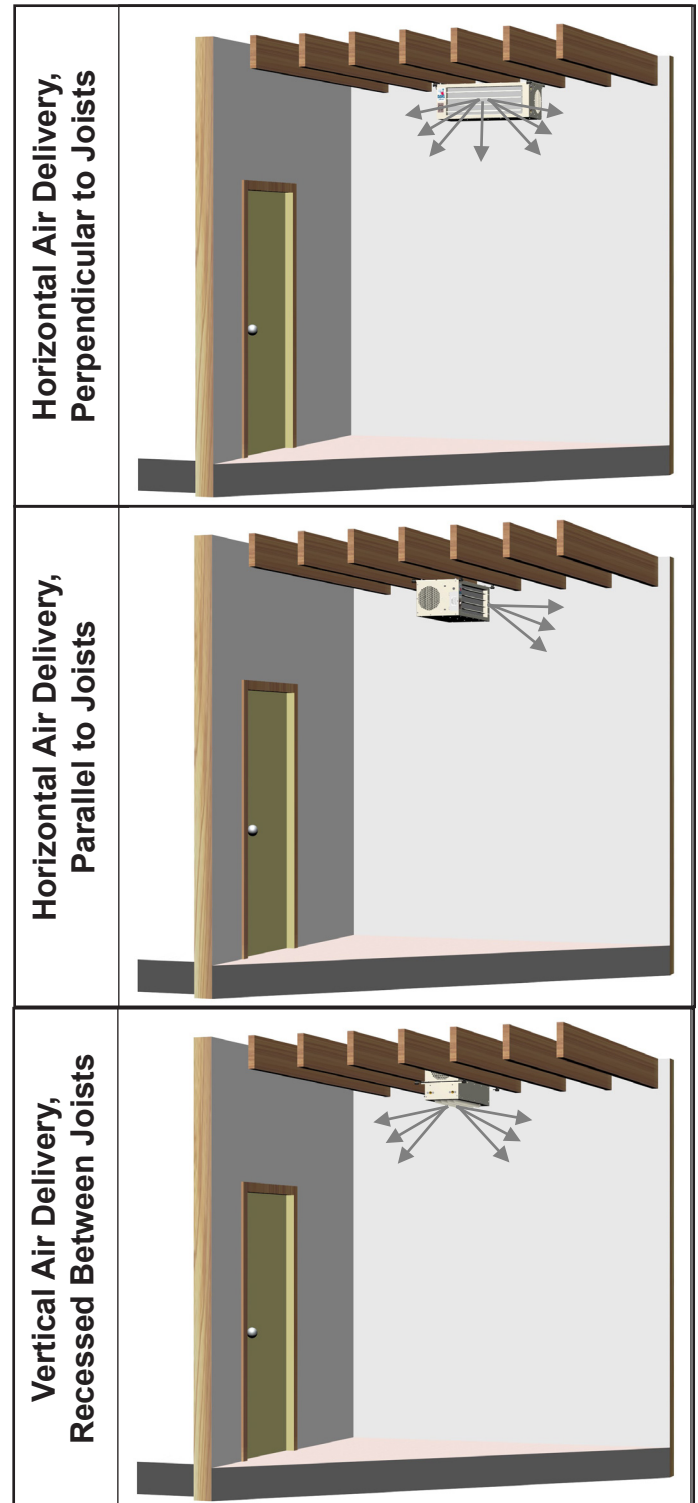
1. Start-up and adjustment procedures should be performed by a qualified service agency.
2. Be sure no obstructions block air intake and discharge of unit heaters. Do not attach ductwork or air filters to this unit heater. Maintain a minimum of 6" clearance to inlet openings.
1. Units should not be installed in atmospheres where corrosive fumes or sprays are present.
2. When locating the heater, consider general space and heating requirements and availability of hot water and electrical supply.
3. Be sure the structural support at the unit location site is adequate to support the unit's weight.
4. Determine mounting orientation of the unit heater. Figure 3.1 shows three typical orientations. Additional details can be seen in Figure 5.2.
5. Be sure no obstructions block air intake and discharge of unit heaters. Do not attach ductwork or air filters to this unit heater. Maintain the minimum clearance to inlet openings shown in figure 11.1. Failure to do so will result in poor unit performance.
6. Unit heaters installed in a building exposed to a prevailing wind should be located to direct a major volume of heated air along the windward wall.
7. Vertical delivery unit heaters should generally be located in the central area of the space to be heated. Place horizontal delivery units along the walls of the same building where heat loss is usually greatest.
8. Locate units so they do not blow directly at occupants.
9. Locate units so their air streams blanket exposed walls.
10. There are no restrictions on use of units up to 10,000 ft. elevation (3048 meters).

Reversing Electrical/Piping Connection Access

Units feature electrical access on the left and piping connections on the right as standard (when looking at the unit). If the installation requires the access to be reversed, the unit can be flipped 180° from the way it was received from the factory. By

doing so, the sides become opposite but the front and back remain in the same relative position. The bottom panel now becomes the top panel and vice-versa. Be sure to remove the spring loaded deflector blades, turn them over, replace, and adjust so they are open and in a position to direct the heated air down to the floor. Note that the labels on the front of the unit will be upside down. New stickers can be purchased from Modine.

Figure 3.1 - Model HHD Mounting Orientations



INSTALLATION - UNIT MOUNTING

CAUTION

Do not install units below 7' measured from the bottom of the unit to the floor in commercial applications (unless unit is properly guarded to provide user protection from moving parts) and 5' measured from the bottom of the unit to the floor in residential applications.

IMPORTANT

When mounting the unit to the joists, do not compress the vibration isolators by over tightening the lag bolt screws into the joist. Doing so will greatly reduce the ability of the isolator to dampen vibration.

1. Be sure the means of suspension is adequate to support the weight of the unit (see Table 11.1 for unit weights).
2. Before lifting the heater for suspension, based on the mounting orientation selected (refer to Figure 3.1), the mounting brackets must be installed on the unit as follows:

For Horizontal Air Delivery Orientations:

- a.) Position the brackets on the top of the unit as shown in Figure 4.1.

For Vertical Air Delivery Orientations:

- a.) Position the brackets on the side of the unit as shown in Figure 5.1. Note the following:
 - For 10" or 12" deep joists, the bracket can be oriented as shown in the top picture.
 - For 12" deep joists, the bracket can be oriented as shown in the bottom picture for additional headroom. Refer also to Figure 5.2.
 - If required, louver blades can be flipped to change the direction of airflow control. To do so, remove the spring loaded deflector blades, turn them over, replace, and adjust so they are open and in a position to direct the heated air.

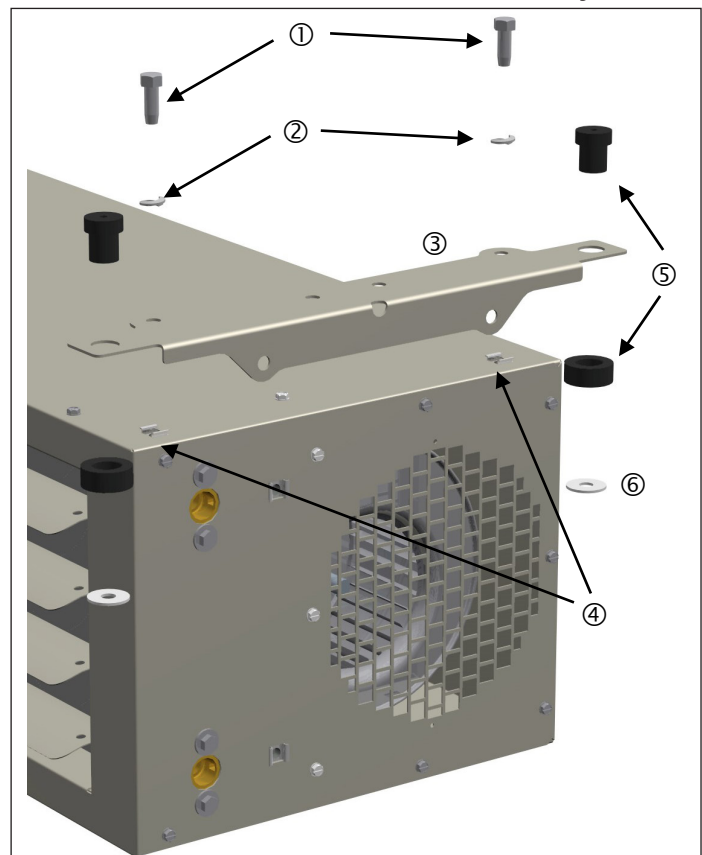
For All Units:

- b) Secure the brackets to the unit with the 3/8"-16 x 1" Hex Bolts and 3/8" Lock Washers included with the bracket kit. The bolts thread into the retaining nuts that are located in the top of the unit casing.
- c) Repeat for the bracket on the left side of the unit (not pictured).
- d) Install the vibration isolators that were supplied with the unit (see Figure 4.1 or 5.1) by inserting the smaller diameter pieces through the 3/4" diameter holes from the top side of the bracket. The larger diameter pieces are fitted from the bottom side. The outer diameter of the top mounted pieces will friction fit into the inside diameter of the bottom pieces.

3. With the brackets installed on the unit, the unit can be installed to the ceiling joists or trusses as follows (refer to Figure 5.2):

- The bracket mounting hole locations accommodate joists on 16" centerlines.
- Use (4) 1/4" lag bolt screws (supplied by others) that are at least 3" long. The (4) 1-1/2" x 1/4" Fender Washers (supplied by Modine) must be placed between the lag bolt screw and bottom vibration isolation piece
- Install the lag bolt screws until the top of the isolator just touches the bottom of the joist. Do not compress the isolator by over tightening the lag bolt screw. Doing so will greatly reduce the ability of the isolator to dampen vibration.

Figure 4.1
Bracket Installation for Horizontal Air Delivery



| Item | Qty (total for unit) - Description |
|------|--|
| ① | Qty (4) – Hex Bolts, 3/8"-16 x 1" |
| ② | Qty (4) – 3/8" Lock Washers |
| ③ | Qty (2) – Mounting Brackets |
| ④ | Qty (4) – Retainer Nuts , 3/8"-16 |
| ⑤ | Qty (4) – Two-Piece Vibration Isolators |
| ⑥ | Qty (4) – 1-1/2" x 1/4" Fender Washers (used when the unit is installed to the joists) |

Note: Figure 4.1 shows the unit with standard right hand piping connections. See page 3 for instructions on reversing the piping access side.

INSTALLATION - UNIT MOUNTING

**Figure 5.1 - Unit Suspension
Bracket Installation for Vertical Air Delivery**

Bracket Orientation for 10" or 12" Deep Joists

Bracket Orientation for 12" Deep Joists

| Item | Qty (total for unit) - Description |
|------|--|
| ① | Qty (4) – Hex Bolts, 3/8"-16 x1" |
| ② | Qty (4) – 3/8" Lock Washers |
| ③ | Qty (2) – Mounting Brackets |
| ④ | Qty (4) – Retainer Nuts , 3/8"-16 |
| ⑤ | Qty (4) – Two-Piece Vibration Isolators |
| ⑥ | Qty (4) – 1-1/2" x 1/4" Fender Washers (used when the unit is installed to the joists) |

**Figure 5.2
Model HHD Mounting Orientations**

Horizontal Air Delivery, Perpendicular to Joists

16" O.C. 16" O.C. 11.96

Speed Control

Horizontal Air Delivery, Parallel to Joists

16" O.C. 11.96

Vertical Air Delivery, Recessed Between 10" Joists

16" O.C. 10" JOIST 6.10

Vertical Air Delivery, Recessed Between 12" Joists

16" O.C. 12" JOIST 4.17

INSTALLATION - HOT WATER PIPING / ELECTRICAL CONNECTIONS

HOT WATER PIPING

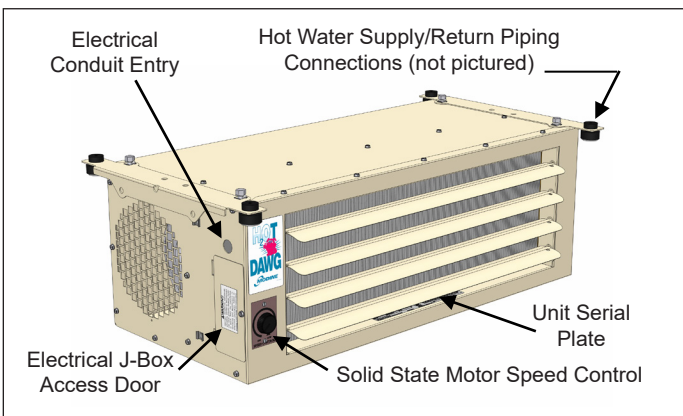
⚠ CAUTION

1. Units are designed for use in heating applications with ambient temperatures between 40°F and 100°F. Heaters should not be used in applications where the heated space temperature is below 40°F unless a glycol anti-freeze solution has been added.
2. Units not approved for use in potable water systems.
3. Do not reuse any mechanical or electrical components which have been wet. Replace defective components.
4. Do not operate the unit with steam. The coil is not designed for steam condensate removal which can damage the unit.

IMPORTANT

1. No water-flow can cause a freeze condition resulting in damage to the coil.
2. Never leave the unit filled with water in a building without heat unless antifreeze has been added.
1. Do not operate the units with steam. The coil is not designed for steam condensate removal which can damage the unit.
2. Supply and return lines should be adequately sized to handle heating requirements under maximum load.
3. Piping connections are ½" NPT (see Figure 6.1).
4. Install unions and shut-off valves in lines to and from the unit to allow maintenance or replacement of unit without shutting down and draining entire system.
5. Install a return line circuit setter to regulate water flow.
6. Include an air vent at the high point of the piping to allow removal of entrained air if required.
7. Include a drain valve (hose bib) at the low end of the piping to allow removal of water from the coil if required.
8. It is advisable to use a pipe line strainer before the coil.
9. Provide adequate pipe hangers, supports, or anchors to secure the piping system independently of the coil.
10. Install piping to provide for expansion and contraction normally encountered with temperature changes.
11. Hot water pipes should be insulated to reduce heat loss.

Figure 6.1 – Unit Electrical and Piping Access Locations



Note: Standard piping/electrical access side orientation shown.

ELECTRICAL CONNECTIONS

⚠ WARNING

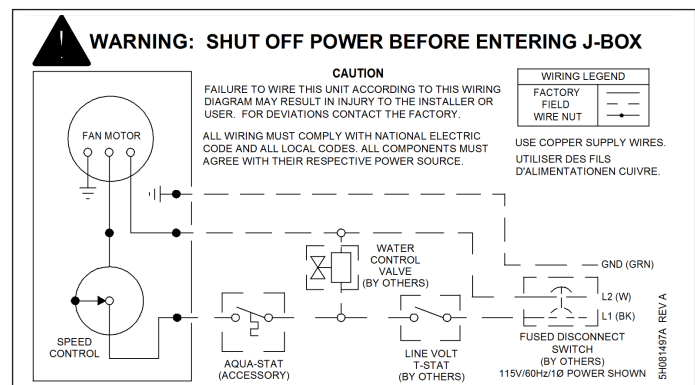
1. Disconnect power supply before making wiring connections to prevent electrical shock and equipment damage.
2. All appliances must be wired strictly in accordance with wiring diagram furnished with the appliance. Any wiring different from the wiring diagram could result in a hazard to persons and property.
3. Any original factory wiring that requires replacement must be replaced with wiring material having a temperature rating of at least 105°C.
4. Ensure that the supply voltage to the appliance as indicated on the serial plate, is not 5% greater than the rated voltage.

⚠ CAUTION

Ensure the supply voltage to the appliance, as indicated on the serial plate, is not 5% less than the rated voltage.

1. Installation of wiring must conform with local building codes, or in the absence of local codes, with the National Electric Code ANSI/NFPA 70 - Latest Edition. Unit must be electrically grounded in conformance to this code. In Canada, wiring must comply with CSA C22.1, Part 1, Electrical Code.
2. Electric wiring must be sized to carry the full load amp draw of the motor and any controls that are used with the unit heater.
3. The power supply to the unit must be protected with a fused or circuit breaker switch, sized based on motor current rating shown on the unit serial plate, and applicable National Electric Code procedures.
4. All units are provided with an electrical junction box (Figure 6.1). Make wiring connections from 115V/60Hz/1ph building service to control box as shown on wiring diagram furnished with the unit (Figure 6.2).
5. Any damage to or failure of Modine units caused by incorrect wiring of the units is not covered by warranty.
6. The power supply must be within +/- 5 percent of the voltage rating. If not, advise the utility company.

Figure 6.2 – Unit Electrical Wiring Diagram



START UP PROCEDURE / TROUBLESHOOTING

START-UP PROCEDURE

IMPORTANT

1. Start-up and adjustment procedures should be performed by a qualified service agency.
2. No water-flow can cause a freeze condition resulting in damage to the coil.
3. Never leave the unit filled with water in a building without heat unless antifreeze has been added.

PRIOR TO OPERATION

1. Check that all the electrical connections are tight.
2. Check that the unit has the correct main power supply wired to the unit and is within +/- 5% of the voltage shown on the unit serial plate.
3. Check that the power supply to the unit is protected with a properly sized fused or circuit breaker switch.
4. Check that the unit has no visible damage and that all the components are secure.
5. Check that all field electrical and mechanical work has been performed according to all applicable Federal, State, and Local codes.
6. Check that the system has been correctly flushed.
7. Check for any water leaks.
8. Check rigidity of unit mounting. Tighten all fasteners if necessary.
9. Inspect piping, strainers, fittings, etc.

INITIAL START-UP

1. Set thermostat to lowest position.
2. Turn on power supply to unit.
3. Open field installed supply and return shut-off valves.
4. Raise thermostat setting to desired position.
5. Check for correct fan operation, no excessive noise or vibrations.
6. Confirm that air is blowing out of the discharge opening.
7. Adjust louvers for desired heat distribution.
8. Check water flow rates and compare to design.
9. To insure proper sequence of operation, cycle unit on and off a few times by raising and lowering thermostat setting.

TYPICAL SEQUENCE OF OPERATION

Fan Operation

Fan operation can be either intermittent on a call for heat from a room stat or continuous. An aquastat accessory can be strapped to the return piping to prevent fan operation when heat is not being supplied to the unit heater.

Models feature a solid state speed control that allows infinite speed control between high speed and low speed and also provides an "OFF" setting for the unit.

Intermittent Hot Coil

A room thermostat controls a valve which opens to allow hot water to supply the unit and closes to shut off the supply when the thermostat is satisfied.

Continuous Hot Coil

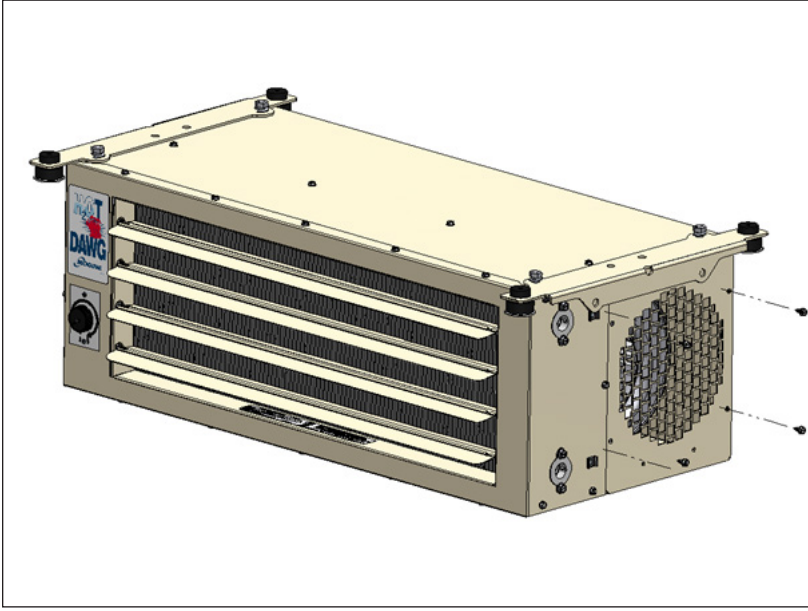
A valve opens to allow continuous hot water flow to the coil whenever the system is energized. Continuous hot coil operation may help prevent coil freeze-ups in cold weather, however, a proper glycol mix is also recommended.

Table 7.1 – Troubleshooting

| TROUBLE | POSSIBLE CAUSE | POSSIBLE REMEDY |
|-------------------------------|--|--|
| Unit Not Operating – Power On | <ol style="list-style-type: none"> 1. Speed control in "OFF" position. 2. Tripped circuit breaker(s). 3. Loose supply power wiring. | <ol style="list-style-type: none"> 1. Turn speed control to any position but "OFF". 2. Reset the tripped circuit breaker(s). 3. With power OFF, inspect wiring connections. |
| Unit Operating – No Heat | <ol style="list-style-type: none"> 1. Thermostat not calling for heat. 2. Loose wiring. 3. Faulty control valve. | <ol style="list-style-type: none"> 1. Adjust setting on room thermostat. 2. Inspect wiring at thermostat and valve. 3. Test and replace valve if faulty. |
| Unit Fan Not Operating | <ol style="list-style-type: none"> 1. Motor internal overload protection tripped. 2. Motor failure. 3. Speed control failure 4. Fan not required. 5. No power to the fan. | <ol style="list-style-type: none"> 1. Let motor cool to allow overload protection to automatically reset. 2. Replace motor. 3. Replace speed control. 4. Check that thermostat is set to call for heat. 5. Check wiring connections and panel fuse. |

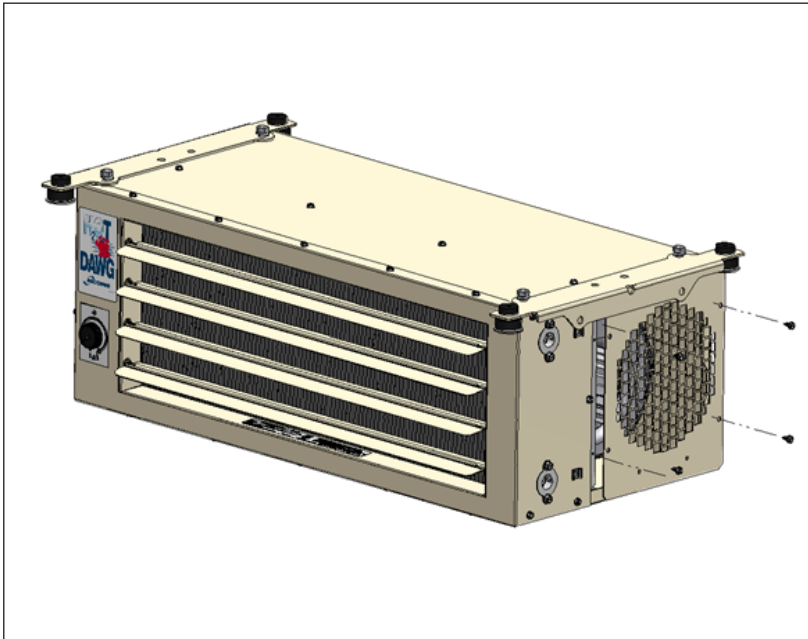
BLOWER REMOVAL INSTRUCTIONS

Figure 8.1



1. Remove sheet metal screws, Size #10 X 1/2", Qty-4 From the Access Panel as shown in Fig 8.1.

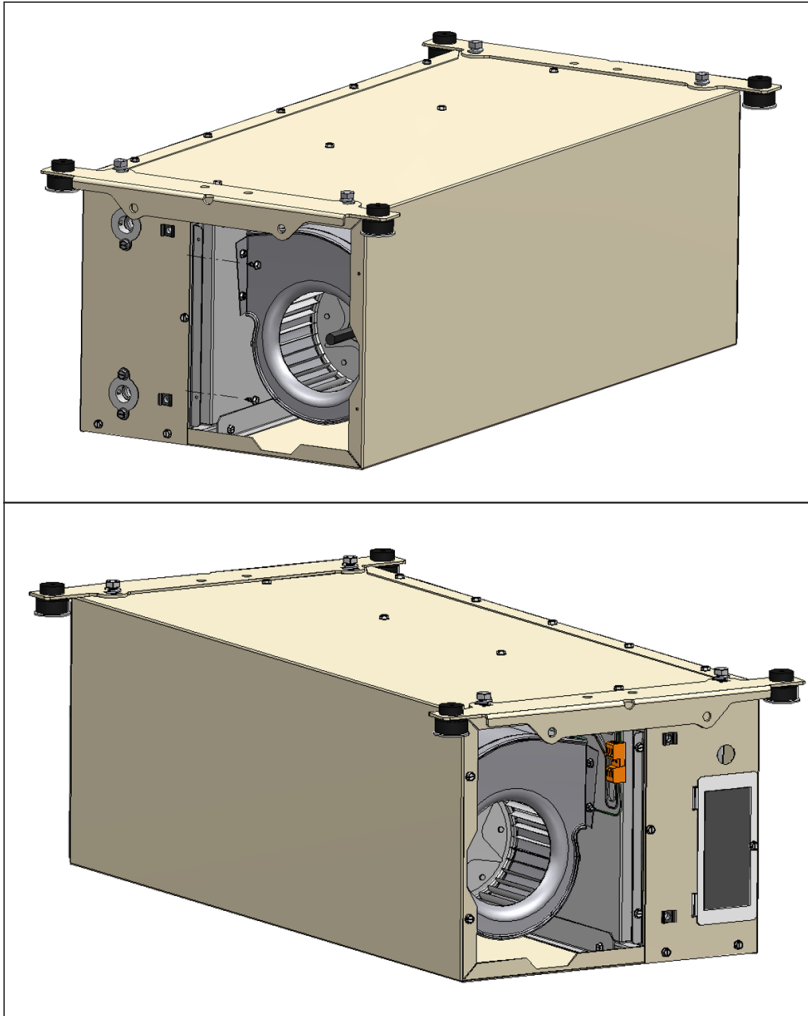
Figure 8.2



2. Remove the tilted Access Panel by moving it towards back by 1" as shown in Fig 8.2.

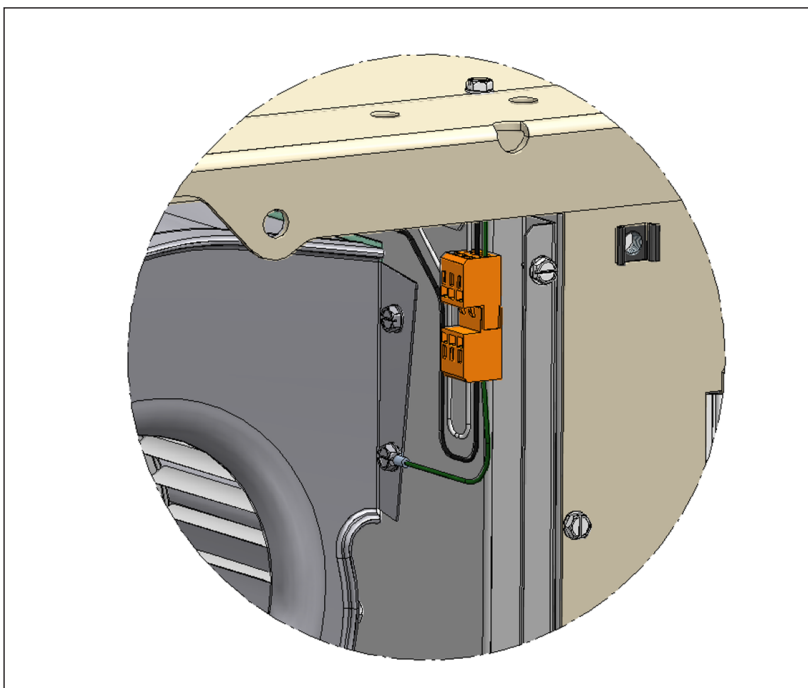
BLOWER REMOVAL INSTRUCTIONS

Figure 9.1



3. Remove the 2 inside screws, Size #10 X 1/2", Qty-2 from Fan Board Assembly as shown in Fig 9.1.
4. Steps 1 to 3 needs to be repeated on the Control Panel Side.

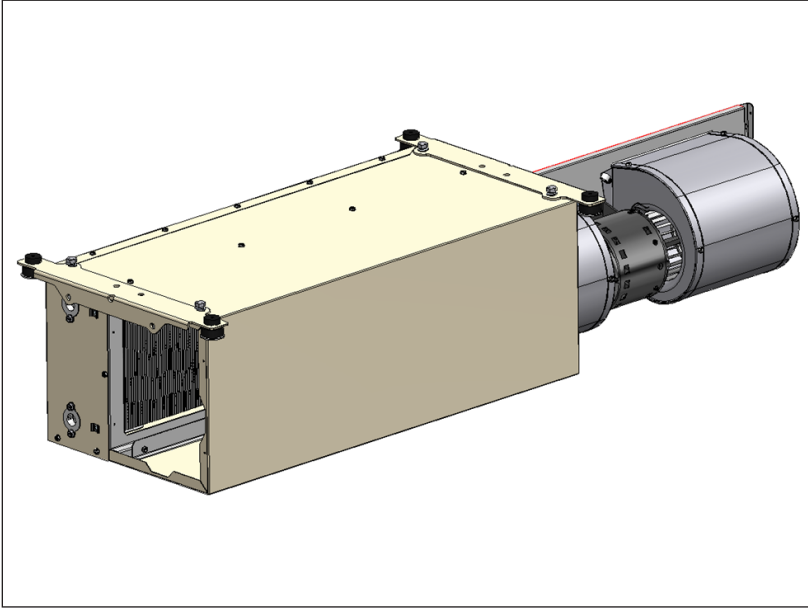
Figure 9.2



5. Remove Plug to separate Motor & Ground wire from the Control Panel as shown in Fig 9.2

BLOWER REMOVAL INSTRUCTIONS

Figure 10.1



6. Now the Fan Board Assembly will slide out from either side of the casing as shown in fig 10.1.
Caution: - Weight of Fan Board Assembly is approximately 27 lbs.

UNIT DATA

Figure 11.1 Dimensions (inches)

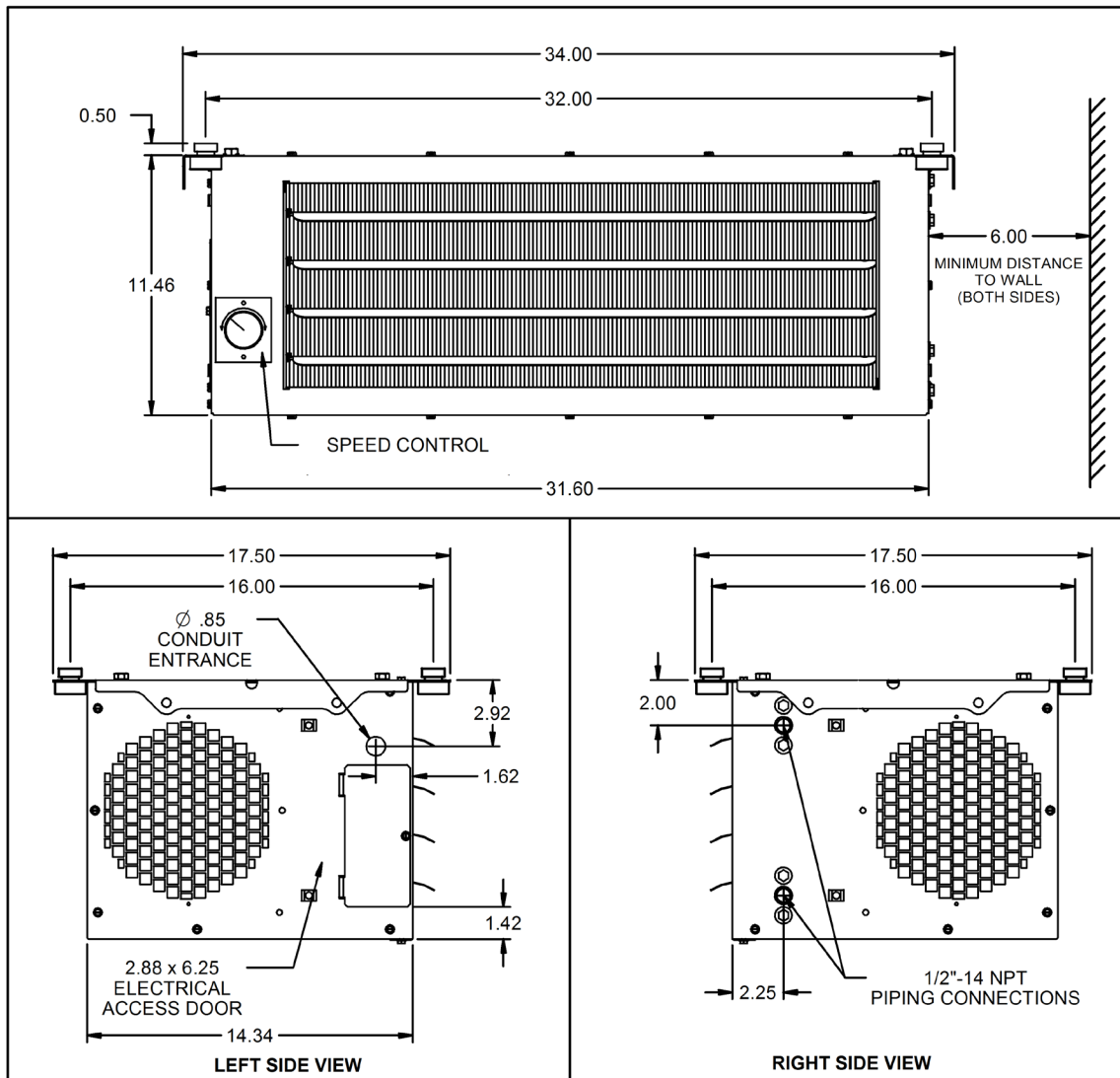


Table 11.1 – Unit Mechanical/Electrical Data

| | |
|--|---------------------|
| Unit Size | 45 |
| Coil | |
| High Capacity – 2 Row Face Area, ft ² | 1.625 |
| Standard Coil Connections | 1/2" NPT |
| Approximate Coil Volume (Gallons) | 0.40 |
| Blowers (Direct Drive) | |
| (Qty) - Diameter x Width (Inches) | (2) – 5.75 x 7 |
| Motor Blower Connection | Direct Drive |
| High / Medium / Low Speed (RPM) | 1625 / 1090 / 725 |
| High / Medium / Low Speed (CFM) | 710 / 425 / 280 |
| Motor | |
| Motor Type | Permanent Split Cap |
| Shaft Arrangement | Double Shaft |
| (Qty) - HP | (1) - 0.40 |
| Voltage | 115V/1ph/60Hz |
| Shipping Weight – lbs. (approximate) | 70 |

PERFORMANCE DATA

Horizontal Air Delivery Models — Two Styles

Table 12.1 – Performance Data ① ②

| Model Size | Airflow (CFM) | GPM | WPD (ft. Water) | Entering Water Temperature (60°F Entering Air Temperature) | | | | | | | | | |
|------------|--------------------|-----|-----------------|--|-----|--------|-----|--------|-----|--------|-----|--------|-----|
| | | | | 120°F | | 140°F | | 160°F | | 180°F | | 200°F | |
| | | | | Btu/Hr | WTD | Btu/Hr | WTD | Btu/Hr | WTD | Btu/Hr | WTD | Btu/Hr | WTD |
| 45 | 710 (High Speed) | 1 | 0.6 | 17,200 | 36 | 22,900 | 48 | 28,600 | 60 | 34,400 | 72 | 40,100 | 84 |
| | | 2 | 2.2 | 22,400 | 23 | 29,900 | 31 | 37,300 | 39 | 44,800 | 47 | 52,300 | 55 |
| | | 3 | 4.7 | 24,900 | 17 | 33,200 | 23 | 41,500 | 29 | 49,800 | 35 | 58,100 | 40 |
| | | 4 | 7.9 | 26,400 | 14 | 35,100 | 18 | 43,900 | 23 | 52,700 | 27 | 61,500 | 32 |
| | | 5 | 12 | 28,400 | 12 | 37,800 | 16 | 47,300 | 20 | 56,800 | 24 | 66,300 | 28 |
| | 425 (Medium Speed) | 1 | 0.6 | 11,900 | 25 | 15,900 | 33 | 19,900 | 41 | 23,900 | 50 | 27,900 | 58 |
| | | 2 | 2.2 | 15,600 | 16 | 20,700 | 22 | 25,900 | 27 | 31,100 | 33 | 36,300 | 38 |
| | | 3 | 4.7 | 17,300 | 12 | 23,000 | 16 | 28,800 | 20 | 34,600 | 24 | 40,300 | 28 |
| | | 4 | 7.9 | 18,300 | 10 | 24,400 | 13 | 30,500 | 16 | 36,600 | 19 | 42,700 | 22 |
| | | 5 | 12 | 19,700 | 8 | 26,300 | 11 | 32,800 | 14 | 39,400 | 16 | 46,000 | 19 |
| | 280 (Low Speed) | 1 | 0.6 | 9,100 | 19 | 12,200 | 25 | 15,500 | 32 | 18,300 | 38 | 21,300 | 44 |
| | | 2 | 2.2 | 12,000 | 13 | 15,900 | 17 | 19,800 | 21 | 23,800 | 25 | 27,800 | 29 |
| | | 3 | 4.7 | 13,200 | 9 | 17,600 | 12 | 22,000 | 15 | 26,400 | 18 | 30,800 | 21 |
| | | 4 | 7.9 | 14,000 | 7 | 18,600 | 10 | 23,300 | 12 | 27,900 | 15 | 32,600 | 17 |
| | | 5 | 12 | 15,100 | 6 | 20,100 | 8 | 25,100 | 10 | 30,200 | 13 | 35,200 | 15 |

① For conditions other than shown above, please refer to the Modine Breeze AccuSpec program for detailed performance data.

② Allowable water temperature range is 100°F to 200°F. Allowable indoor air temperature range is 40°F to 100°F. If temperatures below freezing are expected, provisions should be made to either drain the unit heater coil or utilize a continually circulating glycol solution.

Useful Formulas:

Air Temperature Rise

The air temperature rise can be calculated by the following formula:

$$\text{Air Temp Rise} = \frac{\text{Btu/Hr}}{1.08 \times \text{CFM}}$$

Example:

What is the Air Temp Rise for a unit operating at high speed, 140°F entering water, 3 GPM flow rate?

From Table 12.1, the output is 33,200 Btu/Hr. The air temperature rise, per the formula above, is:

$$\text{Air Temp Rise} = \frac{33,200 \text{ Btu/Hr}}{1.08 \times 710 \text{ CFM}} = 43^\circ\text{F}$$

Final Air Temperature

The final discharge air temperature can be calculated by the following formula:

$$\text{Final Air Temperature} = \text{Air Temperature Rise} + \text{Entering Air Temperature}$$

Example:

What is the Final Air Temperature for the previous example?

The air temperature rise was previously calculated to be 43°F. The final air temperature, per the formula above, is:

$$\text{Final Air Temperature} = 43^\circ\text{F} + 60^\circ\text{F} = 103^\circ\text{F}$$

MAINTENANCE / REPLACEMENT PARTS

MAINTENANCE

! WARNING

When servicing or repairing of this equipment, use only factory-approved service replacement parts. A complete replacement parts list may be obtained by contacting Modine Manufacturing Company. Refer to the rating plate on the unit for complete model and serial number and Company address. Any substitution of parts or controls not approved by the factory will be at the owner's risk.

! CAUTION

Do not reuse any mechanical or electrical controllers which have been wet. Replace defective controller.

IMPORTANT

To check most of the Possible Remedies in the troubleshooting guide listed in Table 7.1, refer to the applicable sections of the manual.

All installation and service of these units must be performed by a qualified installation and service agency.

Before any service, **BE SURE TO TURN OFF ALL ELECTRICAL POWER TO THE HEATER.** Turn off supply and return shut off valves as required.

At a minimum, before the start of each heating season:

1. With the Disconnect Switch in the "OFF" position, inspect all electrical circuits for loose connections and signs of physical damage.
2. Wipe clean or vacuum the electrical junction box section of all dirt that may affect the unit operation.
3. Check for correct fan operation, no excessive noise or vibrations.
4. Wash down the cabinet using mild detergent and treat any paint damage or rust as necessary.
5. Clean coil of dirt, lint, and dust, which can reduce the unit heating capacity. Use a high pressure air hose to loosen dirt by blowing from side where air leaves coil. Coils subjected to corrosive fumes should be checked and cleaned frequently. Do not use any commercial solvent that could deteriorate the coil and do not use any liquid or steam sprays that could damage electrical components.
6. Provide controlled water treatment; don't use excessive amounts of boiler compounds. Contact your boiler compound supplier for proper usage.
7. Periodic internal flushing of the coils is recommended in areas where water supply is suspected of causing scale. Use an alkaline-chelant solution and introduce it at the main pump of the hydronic system. Flush thoroughly.
8. De-aerate boiler feed-water (particularly if large amount of new water is used).
9. Clean strainers ahead of unit.
10. Adequately vent each unit to remove air from system.

REPLACEMENT PARTS

For ease of identification when ordering replacement parts or contacting the factory about your unit, please quote the Unit Type and unit Serial Number. This information can be found on the serial plate attached to your unit (see Figure 6.1).

When a component part fails, a replacement part should be obtained through our Parts Department. If the part is considered to be under warranty, the following details are required to process this requirement:

1. Full description of part required, including unit part number, if known.
2. The original equipment serial number.
3. An appropriate purchase order number

Figure 13.1 – Model Nomenclature

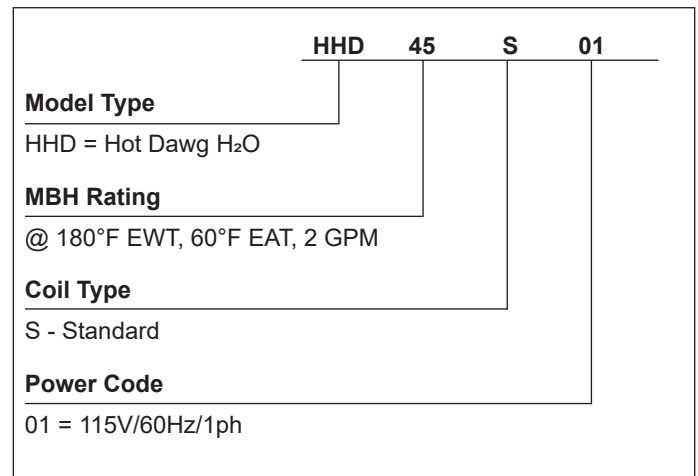
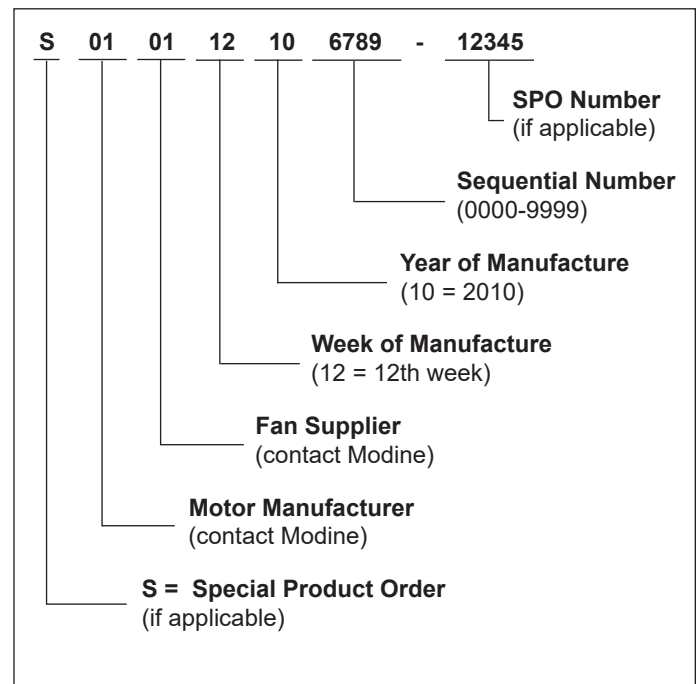


Figure 13.2 – Serial Number Format



THIS PAGE INTENTIONALLY LEFT BLANK

WARRANTY

This Warranty (the "Warranty") shall apply to Products (as defined below) sold by Modine Manufacturing Company, a Wisconsin corporation ("Seller") to you ("Buyer").

Seller hereby warrants that during the Applicable Warranty Period (as defined below) its Products shall be free from defects in material and factory workmanship under normal use and service, subject to the EXCLUSIONS described below and according to the terms outlined in this Warranty.

If Seller receives written notice of a breach of this Warranty prior to the end of the Applicable Warranty Period (which such notice shall include the model and serial numbers of the Product, as well as the date and a reasonably detailed description of the Product's alleged failure), Buyer shall with Seller's prior written approval, return the applicable Product or component thereof to Seller with shipping charges prepaid; if upon examination by Seller such Product or component thereof is disclosed to have been defective, then Seller will, without charge to Buyer, at Seller's option, either repair the Product, replace defective parts in the Product, or offer an entire replacement unit of the Product; provided that the warranty period for a Product that has been repaired or provided with replacement parts shall not extend beyond the original Applicable Warranty Period, nor shall any replacement parts provided for a Product be under any warranty beyond the original Applicable Warranty Period for the Product; similarly, if Seller provides an entire replacement unit of the Product, the warranty period for the replacement unit is limited to the remainder of the original Applicable Warranty Period. Seller shall have no responsibility for installation, service, field labor, shipping, handling, or other costs or charges, except as expressly provided in this Warranty. Buyer shall have no remedy hereunder for any defective part returned without proper written authorization from Seller, as described above.

For purposes of this Warranty and subject to the exclusions described below, the term "Products" shall mean parts or equipment manufactured by Seller, sold to Buyer pursuant to a purchase contract between Buyer and Seller (most often initiated by a purchase order issued by Buyer and accepted by Seller), and expressly described in such contract. The term "Products" shall not include third-party parts or equipment furnished by Seller, except that, to the extent assignable, Seller will assign to Buyer the benefits (together with all limitations and exclusions) of the third-party manufacturer's warranty for such parts or equipment. This Warranty extends only to the original purchase contract between Buyer and Seller and is nontransferable, except that this Warranty may be assigned to an Authorized End User (as defined below). All replaced parts or equipment shall become Seller's property. For purposes of this Warranty, the term "Applicable Warranty Period" shall mean the warranty period set forth in the table below for each type or class of Product described on the table; provided that, when the Product is to be used as a component part of equipment manufactured by Buyer, the Applicable Warranty Period shall be limited to one (1) year after the date of shipment from Seller, notwithstanding anything in the table below to the contrary. For purposes of this Warranty, the term "Authorized End User" shall mean any third-party that purchases the Product directly or indirectly from Buyer for the Authorized End User's own use upon the first installation of the Product and not for resale.

BUYER HEREBY ACKNOWLEDGES THAT ITS REMEDIES FOR BREACH OF THIS WARRANTY, EXCLUSIVE OF ALL OTHER REMEDIES PROVIDED BY LAW, ARE LIMITED AS DESCRIBED ABOVE.

EXCLUSIONS AND LIMITATIONS: This Warranty is subject to the following exclusions and limitations:

The term "Products" shall not include and this Warranty shall not apply to any of the following items: refrigerant gas, belts, filters, fuses and other items consumed or worn out by normal wear and tear.

In addition, this Warranty shall not apply to:

- (1) Products or components thereof that are damaged or adversely affected by conditions beyond Seller's control, including but not limited to polluted or contaminated or foreign matter contained in the air or water utilized for heat exchanger (condenser) cooling or if the failure of the part is caused by improper air or water supply, or improper or incorrect sizing of power supply;
- (2) Any Products or components thereof which have been repaired or altered outside the factory of Seller in any way, or otherwise subject to unauthorized repairs or alterations, so as, in the judgment of Seller, to affect the Product's durability or performance;
- (3) Materials or labor of any kind not furnished by Seller, or any charges for any such labor or materials, whether such labor, materials or charges thereon are due to replacement of parts, adjustments, repairs, or any other work done by any party other than Seller;
- (4) Labor or other costs incurred for diagnosing, repairing, removing, installing, shipping, servicing, or handling of either defective or replacement parts;
- (5) Any Products removed from their original location for reinstallation in another location;
- (6) Any Products or components thereof which have been operated, maintained, or serviced contrary to Seller's written installation, operation, and/or servicing instructions or owner's manual;
- (7) Damages resulting from operation with an inadequate or interrupted supply of air or water;
- (8) Any Products or components thereof which have been subjected to misuse, negligence, faulty installation, improper servicing, accident, excessive thermal shock, excessive humidity, physical damage, impact, abrasion, improper operation, or other operating conditions in excess of or contrary to those for which such equipment was designed;
- (9) With respect to gas-fired or oil-fired units, any Products or components thereof if the input to the Product exceeds the rated input (as indicated on the Product's serial plate) by more than five percent (5%);
- (10) Any Products or components thereof which, in the judgment of Seller, have been installed in a corrosive atmosphere, marine, or coastal application, subjected to corrosive fluids or gases, or damaged or adversely affected by the effects of the physical or chemical properties of water or steam or other liquids or gases used in the Products or any component thereof;
- (11) Damage or failure to start resulting from improper voltage conditions, blown fuses, open circuit breakers, or other

inadequacy or interruption of electrical service or fuel supply; or
 (12) Any Products or components thereof from which the serial number has been altered, defaced or removed.

BUYER AGREES THAT THE WARRANTIES AND REMEDIES DESCRIBED HEREIN ARE THE ONLY WARRANTIES AND REMEDIES PROVIDED BY SELLER WITH RESPECT TO THE PRODUCTS AND TO THE MAXIMUM EXTENT PERMITTED UNDER APPLICABLE LAW SHALL BE IN LIEU OF AND EXCLUSIVE OF ALL OTHER WARRANTIES AND REMEDIES WHATSOEVER, EITHER EXPRESS OR IMPLIED, WHETHER ARISING FROM LAW, COURSE OF DEALING, USAGE OF TRADE, OR OTHERWISE, **INCLUDING BUT NOT LIMITED TO WARRANTIES OF MERCHANTABILITY, FITNESS FOR A PARTICULAR PURPOSE, AND NON-INFRINGEMENT, EACH OF WHICH SELLER HEREBY EXPRESSLY DISCLAIMS.** SELLER NEITHER ASSUMES (NOR HAS AUTHORIZED ANY PERSON TO ASSUME) ANY OTHER WARRANTY OR LIABILITY IN CONNECTION WITH ANY PRODUCTS. REPRESENTATIONS AND CONDITIONS, EXPRESS OR IMPLIED BY STATUTE, TRADE USAGE, OR OTHERWISE, ARE EXCLUDED AND WILL NOT APPLY TO THE PRODUCTS UNDER THIS WARRANTY, EXCEPT FOR WARRANTIES WHICH BY LAW CANNOT BE EXCLUDED

OR LIMITED. Without limiting the foregoing, Seller makes no and specifically disclaims all representations and/or warranties that the Products will detect the presence of, or eliminate, prevent, treat, or mitigate the spread, transmission, or outbreak of any pathogen, disease, virus, or other contagion, including but not limited to COVID 19.

BUYER AGREES THAT IN NO EVENT WILL SELLER BE LIABLE FOR COSTS OF PROCESSING, LOST REVENUES OR PROFITS, INJURY TO GOODWILL, OR ANY OTHER SPECIAL, CONSEQUENTIAL, OR INCIDENTAL DAMAGES OF ANY KIND RESULTING FROM THE PURCHASE OF THE PRODUCTS, OR FROM BUYER'S USE OF ANY PRODUCT, WHETHER ARISING FROM BREACH OF WARRANTY, NONCONFORMITY TO ORDERED SPECIFICATIONS, DELAY IN DELIVERY, OR ANY OTHER LOSS SUSTAINED BY THE BUYER.

OPTIONAL SUPPLEMENTAL WARRANTY

Buyer may purchase from Seller a supplemental warranty with respect to Products which shall extend the Applicable Warranty Period as set forth in the express terms and conditions described in the supplemental warranty agreement. Such supplemental warranty terms may include an additional four (4) years on certain compressors, an additional five (5) years "all parts" warranty, an additional four (4) or nine (9) years on certain heat exchangers, and/or such additional supplemental warranty terms as Seller chooses to make available to its customers from time to time.

| COMPONENT | APPLICABLE MODELS | | APPLICABLE WARRANTY PERIOD (WHICHEVER OCCURS FIRST) | |
|--|---|--|--|--|
| | | | Time from Date of First Beneficial Use by Buyer or Authorized End User | Time from Date of Shipment from Seller |
| Heat Exchangers and/or Coils | Gas Fired Unit Heaters with Tubular Style Heat Exchangers (e.g. HD, HDS, PTX, BTX, etc) | Aluminized or Stainless Steel | 10 YEARS | 126 MONTHS |
| | Gas Fired Unit Heaters with Clam-Shell Style Heat Exchangers (e.g. PDP, BDP, etc.) | Aluminized Steel (not in high-humidity applications) | 10 YEARS (must be Stainless Steel in high-humidity applications) | 126 MONTHS |
| | | Aluminized Steel (in high-humidity applications) | 1 YEAR | 18 MONTHS |
| | | Stainless Steel | 10 YEARS | 126 MONTHS |
| | Low Intensity Infrared Units | | 5 YEARS | 66 MONTHS |
| | Indoor and Outdoor Duct Furnaces and System Units, Steam/Hot Water Units, Oil-Fired Units, Electric Units, Cassettes, Vertical Unit Ventilators, Geothermal Units | | 1 YEAR | 18 MONTHS |
| Burners and Elements | Low Intensity Infrared Units | | 2 YEARS | 30 MONTHS |
| | High Intensity Infrared and Electric Infrared Units | | 1 YEAR | 18 MONTHS |
| Compressors | Condensing Units for Cassettes | | 5 YEARS | 66 MONTHS |
| | Vertical Unit Ventilators, Geothermal Units | | 1 YEAR | 18 MONTHS |
| Sheet Metal Parts | All Products | | 1 YEAR | 18 MONTHS |
| Components, excluding Heat Exchangers, Coils, Condensers, Burners, Sheet Metal | All Products | | 2 YEARS | 30 MONTHS |

As Modine Manufacturing Company has a continuous product improvement program, it reserves the right to change design and specifications without notice.



© Modine Manufacturing Company 2023

Modine Manufacturing Company
 1500 DeKoven Avenue
 Racine, WI 53403
 Phone: 1.800.828.4328 (HEAT)
 www.modinehvac.com