

# Submittal Package

**viega**



## Viega® PEX Press Polymer Fittings for Use with Viega PEX Tubing

**Project:** \_\_\_\_\_

**Engineer:** \_\_\_\_\_

**Contractor:** \_\_\_\_\_

**Submitted By:** \_\_\_\_\_

- Potable Water
- Residential Fire Sprinkler
- Other \_\_\_\_\_

# Submittal Package

**viega**

## Viega® PEX Press Polymer Fittings for Use with Viega PEX Tubing

### Technical Data

Materials:

Fittings . . . . .	Radel R® polymer
Press Sleeves . . . . .	304 Stainless Steel
PEX Press Polymer Manifolds . . . . .	Radel R® polymer
ViegaPEX Ultra Tubing . . . . .	PEX (crosslinked polyethylene)
FostaPEX Tubing . . . . .	PEX base tubing with aluminum and PE outer layers

### Applications

Viega PEX Press Polymer fittings are intended for use in potable water systems, hydronic heating or snow melting applications, and residential fire sprinkler systems meeting the NFPA 13D\*. These fittings incorporate the Smart Connect® feature and attached stainless steel press sleeves with tool locator ring to be used as connections for ViegaPEX Ultra, ViegaPEX Barrier, and FostaPEX® tubing in 3/8", 1/2", 3/4", 1", 1 1/4", 1 1/2" and 2" sizes as available. The connections are to be completed with the aid of a Viega PEX Press Hand Tool or Viega PEX Press Power Tool.

### Installation

- Use only Viega PEX tubing and approved tools to make connections
- Keep flame and excessive heat away from tubing and connections.
- Refer to the Viega PEX Water Systems Installation Manual for additional information.

\* ViegaPEX Ultra Black in 3/4" through 2" sizes only.

### Certifications

#### cNSF®us pw

- NSF International Performance and Health Effects (Standards 14 & 61)
- NSF certified to CSA B137.5 (Canadian Standards Association)

#### NSF Certified to NSF-U.P. Code

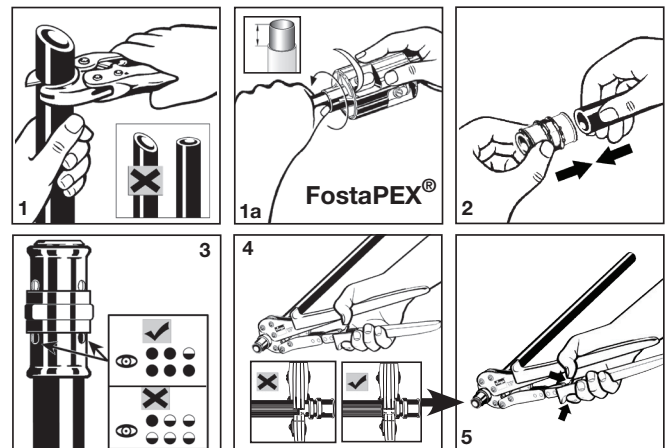
- Approved for Uniform Plumbing Code, listed to ASTM F876 / F877



- ICC ES-PMG™ 1038 / 1015 plumbing and heating systems



- UL certified to UL 1821 listing (130 psi @ 120°F) for use in multipurpose residential fire sprinkler systems per NFPA 13D\*.



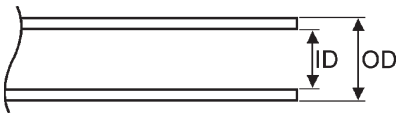
# Submittal Package



## Viega® PEX Press Polymer Fittings for Use with Viega PEX Tubing

### ViegaPEX Ultra Tubing

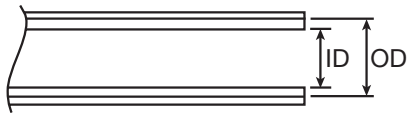
Material.....PEX crosslinked polyethylene  
 Temperature/Pressure Ratings...200°F at 80 psi  
   180°F at 100 psi  
   73.4°F at 160 psi  
 Linear Expansion Rate.....1.1 in./100 ft./10°F



Nominal Size	Inner Diameter	Outer Diameter	Wall Thickness
3/8"	0.350	0.500±.003	0.070±.010
1/2"	0.475	0.625±.004	0.070±.010
3/4"	0.671	0.875±.004	0.097±.010
1"	0.863	1.125±.005	0.125±.013
1 1/4"	1.053	1.375±.005	0.153±.015
1 1/2"	1.243	1.625±.006	0.181±.019
2"	1.629	2.125±.006	0.236±.024

### FostaPEX Tubing

Material.....PEX crosslinked polyethylene with aluminum and PE outer layers  
 Temperature/Pressure Ratings...200°F at 80 psi  
   180°F at 100 psi  
   73.4°F at 160 psi  
 Linear Expansion Rate.....0.16 in./100 ft./10°F



Nominal Size	Inner Diameter	Outer Diameter	Wall Thickness
1/2"	0.475	0.625±.004	0.070±.010
3/4"	0.671	0.875±.004	0.097±.010
1"	0.863	1.125±.005	0.125±.013

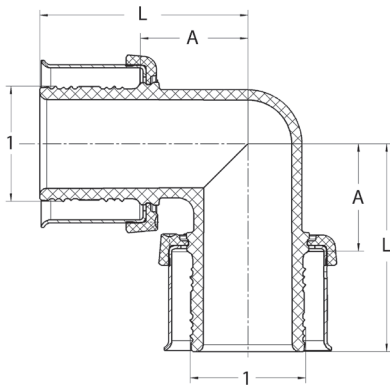
NOTE: Dimensions are in English units. Tolerances shown are ASTM requirements. FostaPEX is manufactured within these specifications. (These dimensions do not reflect the outer aluminum and PE layers.)

# Submittal Package

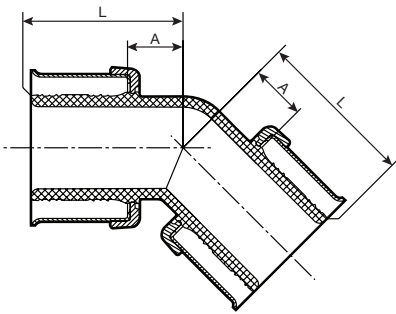
**viega**

## Viega® PEX Press Polymer Fittings for Use with Viega PEX Tubing

PEX Press 90° Elbow Zero Lead Polymer - Model V5616



Part No	Size	A (in)	L (in)
	1		
49210	3/8"	0.51	1.11
49220	1/2"	0.51	1.11
49240	3/4"	0.68	1.271
49260	1"	0.77	1.52
49270	1 1/4"	0.98	2.08
49280	1 1/2"	1.09	2.19
49290	2"	1.65	2.72



PEX Press 45° Elbow Zero Lead Polymer - Model V5626

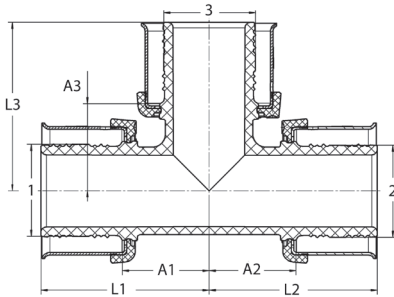
Part No	Size	A (in)	L (in)
	1		
49285	1 1/2"	0.66	1.75
49286	2"	0.96	2.03

# Submittal Package

**viega**



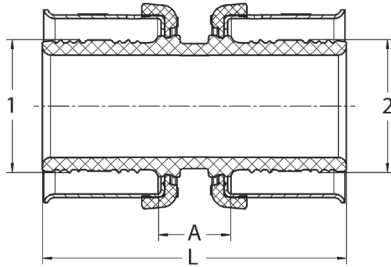
## PEX Press Tee Zero Lead Polymer - Model V5618



Part No	Size			A1 (in)	A2 (in)	A3 (in)	L1 (in)	L2 (in)	L3 (in)
	1	2	3						
49200	3/8"			0.51	0.51	0.51	1.11	1.11	1.11
49322	1/2" x 3/8" x 3/8"			0.49	0.44	0.54	1.09	1.04	1.13
49332	1/2" x 1/2" x 3/8"			0.49	0.49	0.54	1.09	1.09	1.13
49520	1/2"			0.51	0.51	0.51	1.11	1.11	1.11
49334	1/2" x 1/2" x 3/4"			0.67	0.67	0.60	1.26	1.26	1.19
49433	3/4" x 1/2" x 1/2"			0.59	0.49	0.69	1.18	1.09	1.28
49443	3/4" x 3/4" x 1/2"			0.59	0.59	0.69	1.18	1.18	1.28
49434	3/4" x 1/2" x 3/4"			0.71	0.71	0.71	1.30	1.30	1.30
49540	3/4"			0.71	0.71	0.71	1.30	1.30	1.30
49533	1" x 1/2" x 1/2"			0.59	0.49	0.74	1.34	1.09	1.34
49543	1" x 3/4" x 1/2"			0.60	0.59	0.74	1.35	1.18	1.34
49544	1" x 3/4" x 3/4"			0.71	0.65	0.85	1.47	1.25	1.44
49535	1" x 1/2" x 1"			0.81	0.79	0.81	1.56	1.36	1.56
49545	1" x 3/4" x 1"			0.84	0.77	0.84	1.59	1.37	1.59
49553	1" x 1" x 1/2"			0.58	0.58	0.74	1.34	1.34	1.34
49554	1" x 1" x 3/4"			0.71	0.71	0.84	1.47	1.47	1.44
49560	1"			0.71	0.71	0.71	1.47	1.47	1.47
49754	1 1/4" x 1" x 3/4"			0.73	0.67	0.93	1.82	1.42	1.53
49755	1 1/4" x 1" x 1"			0.84	0.78	0.91	1.94	1.53	1.66
49774	1 1/4" x 1 1/4" x 3/4"			0.73	0.73	0.93	1.82	1.82	1.53
49775	1 1/4" x 1 1/4" x 1"			0.84	0.84	0.91	1.94	1.94	1.66
49570	1 1/4"			0.98	0.98	0.98	2.07	2.07	2.07
49854	1 1/2" x 1" x 3/4"			0.72	0.79	1.03	1.82	1.54	1.63
49855	1 1/2" x 1" x 1"			0.85	0.91	1.03	1.94	1.67	1.78
49874	1 1/2" x 1 1/4" x 3/4"			0.77	0.77	1.04	1.82	1.82	1.63
49875	1 1/2" x 1 1/4" x 1"			0.90	0.90	1.06	1.94	1.94	1.79
49877	1 1/2" x 1 1/4" x 1 1/4"			1.02	1.02	1.11	2.06	2.06	2.16
49884	1 1/2" x 1 1/2" x 3/4"			0.72	0.72	1.03	1.82	1.82	1.60
49885	1 1/2" x 1 1/2" x 1"			0.85	0.85	1.04	1.94	1.94	1.78
49887	1 1/2" x 1 1/2" x 1 1/4"			0.97	0.97	1.07	2.06	2.06	2.15
49580	1 1/2"			1.09	1.09	1.09	2.18	2.18	2.18
49984	2" x 1 1/2" x 3/4"			1.07	1.10	1.42	2.14	2.15	1.99
49985	2" x 1 1/2" x 1"			1.07	1.10	1.41	2.14	2.15	2.15
49987	2" x 1 1/2" x 1 1/4"			1.25	1.10	1.50	2.33	2.15	2.50
49988	2" x 1 1/2" x 1 1/2"			1.25	1.21	1.46	2.33	2.26	2.50
49994	2" x 2" x 3/4"			0.98	0.98	1.50	2.06	2.06	2.05
49995	2" x 2" x 1"			1.10	1.10	1.53	2.17	2.17	2.26
49997	2" x 2" x 1 1/4"			1.25	1.25	1.50	2.33	2.33	2.54
49998	2" x 2" x 1 1/2"			1.37	1.37	1.46	2.45	2.45	2.50
49590	2"			1.65	1.65	1.65	2.72	2.72	2.72

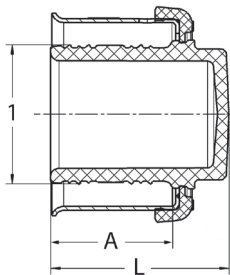
# Submittal Package

**viega**



## PEX Press Coupling Zero Lead Polymer - Model V5615

Part No	Size		A (in)	L (in)
	1	2		
49402	3/8"		0.47	1.66
49342	1/2" x 3/8"		0.42	1.61
49403	1/2"		0.47	1.66
49404	3/4"		0.47	1.66
49343	3/4" x 1/2"		0.43	1.62
49354	1" x 3/4"		0.47	1.82
49405	1"		0.47	1.98
49347	1 1/4" x 3/4"		0.65	2.34
49357	1 1/4" x 1"		0.48	2.33
49407	1 1/4"		0.51	2.69
49348	1 1/2" x 3/4"		0.69	2.37
49358	1 1/2" x 1"		0.62	2.47
49378	1 1/2" x 1 1/4"		0.50	2.69
49408	1 1/2"		0.51	2.69
49398	2" x 1 1/2"		1.05	3.16
49409	2"		1.02	3.16

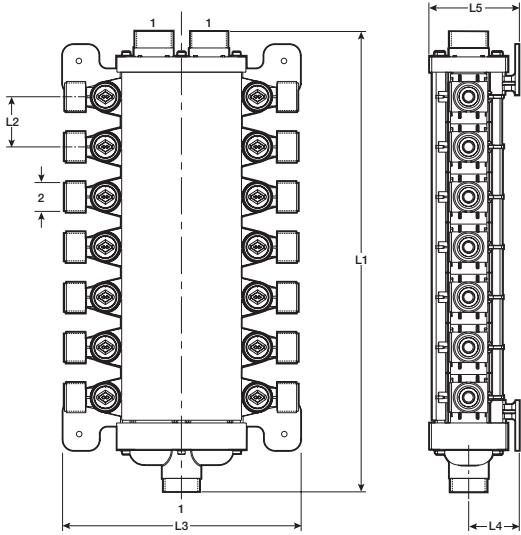


## PEX Press Test Plug Zero Lead Polymer - Model V5656

Part No	Size		A (in)	L (in)
	1			
49722	3/8"		0.60	0.95
49723	1/2"		0.60	0.95
49744	3/4"		0.60	0.95
49765	1"		0.75	1.10
49770	1 1/4"		1.10	1.46
49780	1 1/2"		1.10	1.46
49790	2"		1.07	1.93

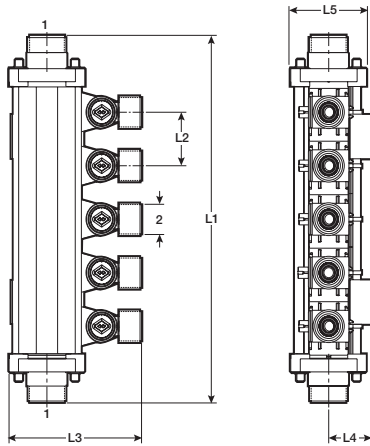
# Submittal Package

**viega**



**ManaBloc Distribution Manifold Zero Lead Press - Model V5630**

Part Number	Size		Ports	L1	L2	L3	L4	L5
	1	2						
49143	1" x 5/8"	NPSM	14	15.44"	1.68"	8.00"	1.70"	3.00"
49183	1" x 5/8"	NPSM	18	18.80"	1.68"	8.00"	1.70"	3.00"
49243	1" x 5/8"	NPSM	24	23.78"	1.68"	8.00"	1.70"	3.00"
49303	1" x 5/8"	NPSM	30	28.88"	1.68"	8.00"	1.70"	3.00"
49363	1" x 5/8"	NPSM	36	33.92"	1.68"	8.00"	1.70"	3.00"



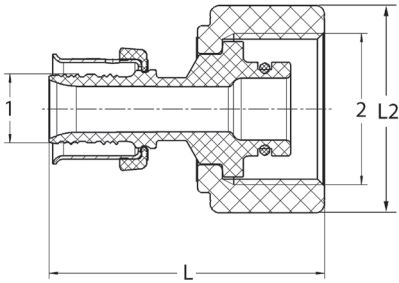
**MiniBloc Zoning Manifold Zero Lead Press - Models V5650, V5660**

Part Number	Size		Ports	L1	L2	L3	L4	L5
	1	2						
49033	1" x 5/8"	NPSM	3	8.19"	1.68"	4.37"	1.42"	4.75"
49043	1" x 5/8"	NPSM	4	9.87"	1.68"	4.37"	1.42"	4.75"
49453*	1" x 5/8"	NPSM	5	11.55"	1.68"	4.37"	1.42"	4.75"
49063	1" x 5/8"	NPSM	6	13.23"	1.68"	4.37"	1.42"	4.75"
49473*	1" x 5/8"	NPSM	7	14.91"	1.68"	4.37"	1.42"	4.75"
49083	1" x 5/8"	NPSM	8	16.59"	1.68"	4.37"	1.42"	4.75"
49410*	1" x 5/8"	NPSM	10	19.95"	1.68"	4.37"	1.42"	4.75"

\*Manifold incorporates hot and cold ports.

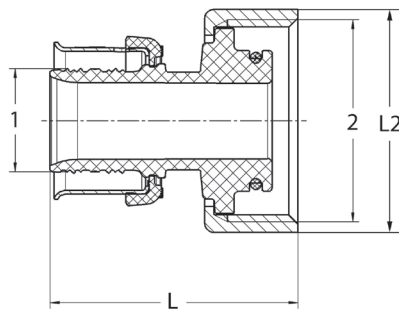
# Submittal Package

**viega**



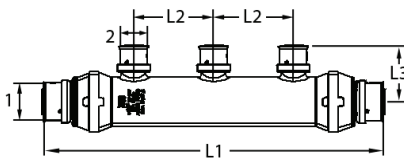
**PEX Press Port Adapter Zero Lead Polymer P x Port - Model V5613.1**

Part No	Size		L (in)	L2 (in)
	1	2		
49234	1/2"	1/2" Port	1.89	1.40
49224	3/8"	1/2" Port	1.89	1.40



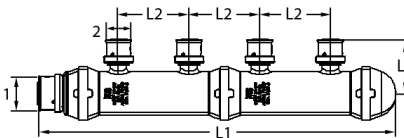
**PEX Press Supply Adapter Zero Lead Polymer for ManaBloc P x Supply - Model V5613.2**

Part No	Size		L (in)	L2 (in)
	1	2		
49414	3/4"	1" MANABLOC	1.59	1.45
49416	1"	1" MANABLOC	1.75	1.45



**PEX Press Manifold Zero Lead Polymer Flow Through - Model V5636**

Part No	Size		L1 (in)	L2 (in)	L3 (in)
	1	2			
49152	3/4"	1/2" (2 outlets)	6.58	2.00	1.42
49153	3/4"	1/2" (3 outlets)	8.58	2.00	1.42
49054	3/4"	1/2" (4 outlets)	10.58	2.00	1.42
49254	1"	3/4" x 1/2" (4 outlets)	10.72	2.00	1.42
49256	1"	1/2" (6 outlets)	14.85	2.00	1.42
49258	1"	1/2" (8 outlets)	18.85	2.00	1.42

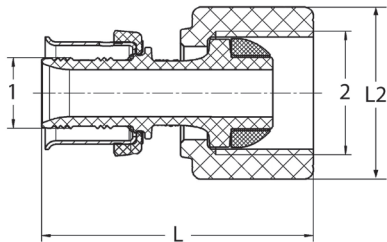


**PEX Press Manifold Zero Lead Polymer Closed - Model V5636.1**

Part No	Size		L1 (in)	L2 (in)	L3 (in)
	1	2			
49004	3/4"	1/2" (4 outlets)	10.14	2.00	1.42
49206	1"	1/2" (6 outlets)	14.27	2.00	1.42

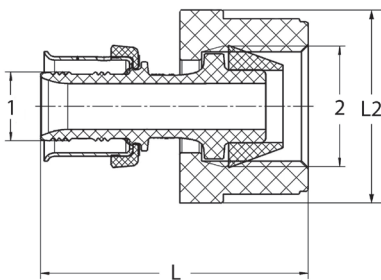


# Submittal Package



**PEX Press Lav Adapter Zero Lead Polymer P x Lav - Model V5613.3**

Part No	Size		L (in)	L2 (in)
	1	2		
49324	3/8"	1/2" Lav	1.82	1.15
49333	1/2"	1/2" Lav	1.82	1.15
49344	3/4"	3/4" Lav	1.78	1.15

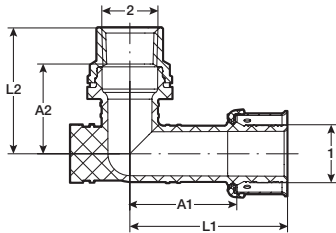


**PEX Press Closet Adapter Zero Lead Polymer P x Closet - Model V5613.4**

Part No	Size		L (in)	L2 (in)
	1	2		
49223	3/8"	1/2" Closet	1.84	1.3
49233	1/2"	1/2" Closet	1.84	1.3

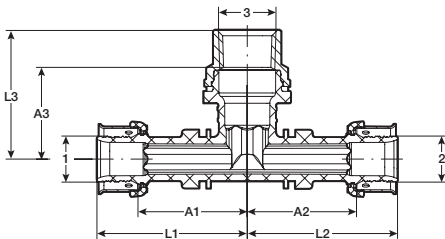
# Submittal Package

**viega**



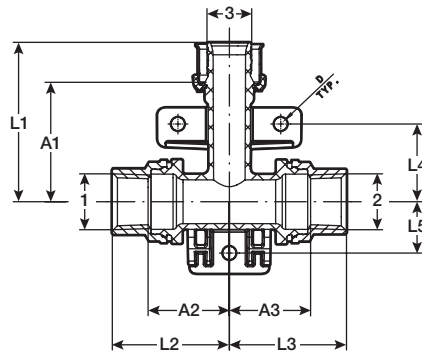
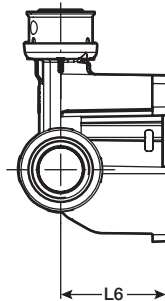
PEX Press 90° Elbow Zero Lead Polymer for Fire Sprinkler Systems P x FPT - Model V5645ZL

Part No	Size		A1 (in)	A2 (in)	L1 (in)	L2 (in)
	1	2				
49135	¾" x ½" FPT		1.59	1.33	2.19	1.87
49145	1" x ½" FPT		1.59	1.33	2.34	1.87



PEX Press Tee Zero Lead Polymer for Fire Sprinkler Systems P x P x FPT - Model V5642ZL

Part No	Size			A1 (in)	A2 (in)	A3 (in)	L1 (in)	L2 (in)	L3 (in)
	1	2	3						
49120	¾" x ¾" x ½" FPT			1.59	1.59	1.33	2.19	2.19	1.87
49130	1" x ¾" x ½" FPT			1.59	1.59	1.33	2.34	2.19	1.87
49140	1" x 1" x ½" FPT			1.59	1.59	1.33	2.34	2.34	1.87

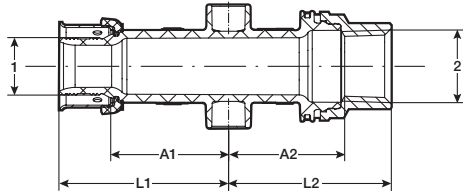


PEX Press Wall Tee Zero Lead Polymer for Fire Sprinkler Systems FPT x FPT x P - Model V5641ZL

Part No	Size			A1 (in)	A2 (in)	A3 (in)	L1 (in)	L2 (in)	L3 (in)	L4 (in)	L5 (in)	L6 (in)	D (in)
	1	2	3										
49100	½" FPT x ½" FPT x ¾"			1.79	1.21	1.21	2.38	1.75	1.75	1.16	0.77	1.57	0.20
49110	½" FPT x ½" FPT x 1"			1.79	1.21	1.21	2.54	1.75	1.75	1.16	0.77	1.57	0.20

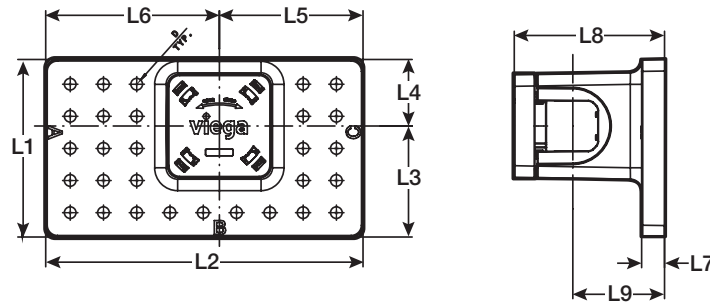
# Submittal Package

**viega**



PEX Press Adapter Zero Lead Polymer for Fire Sprinkler Systems P x FPT - Model V5644ZL

Part No	Size	A1 (in)	A2 (in)	L1 (in)	L2 (in)
	1 2				
49132	3/4" x 1/2" FPT	1.35	1.33	1.95	1.87



PEX Press Replacement Bracket, Plastic, for Fire Sprinkler Systems - Model V5643ZL

Part No	L1 (in)	L2 (in)	L3 (in)	L4 (in)	L5 (in)	L6 (in)	L7 (in)	L8 (in)	L9 (in)	D (in)
49150	3.05	5.44	1.91	1.14	2.46	2.98	0.39	2.58	1.57	0.20

Viega products are designed to be installed by licensed and trained plumbing and mechanical professionals who are familiar with our products' proper use and installation. **Installation by non-professionals may void Viega LLC's warranty.**

This document subject to updates. For the most current Viega technical literature please visit [www.viega.us](http://www.viega.us).  
Click Services -> Click Electronic Literature Downloads -> Select Product Line -> Select Desired Document

**Viega LLC, 12303 Airport Way, Ste. 395 • Broomfield, CO 80021 • Ph: 800-976-9819 • Fax: 800-976-9817**