



2190 Dagenais West  
LAVAL (QUEBEC)  
CANADA  
H7L 5X9

TEL: 514.337.4415  
FAX: 514.337.4029  
[info@burcam.com](mailto:info@burcam.com)

Your system has been carefully packaged at the factory to prevent damage during shipping. However, occasional damage may occur due to rough handling. **Carefully inspect your pump** for damages that could cause failures. Report any damage to your carrier or your point of purchase.

## INSTALLATION INSTRUCTIONS

# MODEL 300319B UNDER SINK PUMP SYSTEM

Please read these instructions carefully. **Failure** to comply to instructions and **designed** operation of this system, may **void** the warranty.



# SAFETY INSTRUCTIONS:

This fine pump that you have just purchased is designed from the latest in material and workmanship.

Before installation and operation, we recommend the following procedures:

**A** CHECK WITH YOUR LOCAL ELECTRICAL AND PLUMBING CODES TO ENSURE YOU COMPLY WITH THE REGULATIONS. THESE CODES HAVE BEEN DESIGNED WITH YOUR SAFETY IN MIND. BE SURE YOU COMPLY WITH THEM.

**B** WE RECOMMEND THAT A SEPARATE CIRCUIT BE LEAD FROM THE HOME ELECTRICAL DISTRIBUTION PANEL PROPERLY PROTECTED WITH A FUSE OR A CIRCUIT BREAKER. WE ALSO RECOMMEND THAT A GROUND FAULT CIRCUIT BE USED. CONSULT A LICENSED ELECTRICIAN FOR ALL WIRING.

**C** THE GROUND TERMINAL ON THE THREE PRONG PLUGS SHOULD NEVER BE REMOVED. THEY ARE SUPPLIED AND DESIGNED FOR YOUR PROTECTION.

**D** NEVER MAKE ADJUSTMENTS TO ANY ELECTRICAL APPLIANCE OR PRODUCT WITH THE POWER CONNECTED. DO NOT ONLY UNSCREW THE FUSE OR TRIP THE BREAKER, REMOVE THE POWER PLUG FROM THE RECEPTACLE.

## Material required for application under sink (indoor use only)

- Desired length of ABS/DWV 1 1/2" pipe, to link up from pump discharge to waste or drain existing pipe.
- Required quantities of 1 1/2" ABS/DWV elbow(s) and/or other fitting(s) to run the discharge line.
- 1 ABS/DWV Y fitting to connect the discharge line to the waste or drain existing pipe.
- Teflon tape and ABS cement.

### NOTICE

This unit is not designed for applications involving salt water or brine .  
Use with salt water or brine will void warranty.

### Tools

Screwdrivers, hacksaw to cut pipe, knife to assist in pipe cutting, round file to smooth pipe ends, pipe wrench, allen wrench.

A check valve is supplied to prevent the backflow of water when the pump shuts off, and also to prevent rapid cycling of the pump and switch.

## APPLICATIONS

- This system is designed with an automatic pump for a permanent installation to evacuate domestic waste water from a sink to an existing drain pipe.
- Can be used in light commercial application.

## CAPACITY:

5'	2500	US	GPH
10'	2100	US	GPH
15'	1550	US	GPH
18'	550	US	GPH

FRICITION LOSS IN  
PIPE NOT INCLUDED

## FEATURES

- High performance noryl impeller.
- Vertical automatic switch.
- Full time connected run capacitor, to eliminate starting wear vs regular motor.
- Thermal and overload protection.
- 1/4HP, 115VAC, 60Hz, 3.0A (7.5A when start.)

# INSTALLATION STEPS

see typical installation diagram in page 4

## STEP 1

We recommend that you install your pump in a clean and dry location where there is adequate room for servicing at a later date. Protection from freezing temperatures and good ventilation should be considered as well, to provide the pump an environment for long life. **Do not use to pump gas or toxic fuels. This submersible sump pump is designed to pump water only.** Locate the pump directly under the sink (see page 4).

Friction losses in the discharge pipe must be taken into consideration when the horizontal offset is greater than 50 feet. The discharge pipe should be increased from 1 1/2" to 2". This will reduce friction losses and allow the pump to give maximum performance.

More friction losses must also be taken into consideration when many elbows and fittings are installed in the discharge line. Each elbows and fittings must be considered as 1 feet of head.

The float switch of your pump has been pre-set at the factory and does not need any adjustment. Teflon tape is required for all treaded connection.

**Never run the pump dry.** Damage to the seal may occur.

THE RUN OF THE PIPE FROM THE CHECK VALVE TO THE EXISTING WASTE OR DRAIN LINE MUST NEVER BE SLOPING DOWNWARD EXCEPT WHEN CONNECTING TO SAME.

## STEP 2

Using 1 1/2" pipes and fittings, connect the sink strainer to the basin intake (a P-trap is required between the strainer and the basin).

## STEP 3

Using 1 1/2" pipes and fittings, connect the pump discharge to the closest existing drain line. Install a check valve in vertical position (350362) on the discharge pipe of the pump.

## STEP 4

Using 1 1/2" pipes and fittings, connect the vent line from the basin lid to the house plumbing vent line.

## STEP 5

Connect the power cables to the electric outlet previously installed.

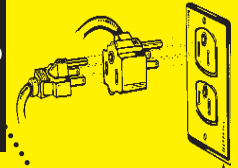
# UNDER SINK APPLICATION

## STEP 4

Connect the vent line to the lid

## STEP 3

Connect the pump discharge to the existing drain line



We strongly suggest to install a check valve to the pump discharge

## STEP 2

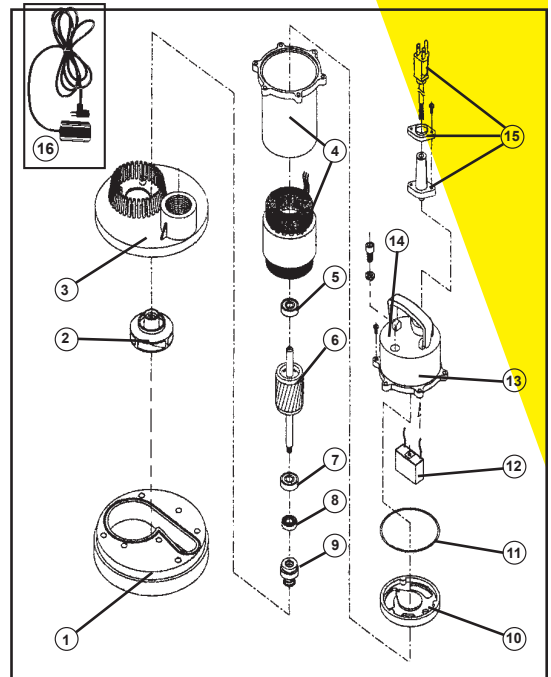
Connect the sink strainer to the basin intake (a P-Trap is required between the sink and the basin)

## STEP 5

Connect the power cables to the electric outlet

# REPAIR PARTS

REF. PART	DESCRIPTION	REF. PART	DESCRIPTION
1 310430	Pump volute	9 350126	Mechanical seal
2 310433	Impeller	10 310448	Bearing housing
3 310434	Pump base	11 310443	Pump gasket
4 310441	Stator	12 310446	Capacitor
5 350340	Upper bearing	13 310449	Upper casing
6 310438	Rotor	14 350114	Screws (2)
7 350340	Lower bearing	15 350329	Power cable
8 310435	Oil seal	16 450447	Vertical switch



Repair parts may be ordered from your authorized point of sale or from  
BUR-CAM PUMPS

# TROUBLE SHOOTING GUIDE CHECKLIST

NEVER MAKE ADJUSTMENTS TO ANY ELECTRICAL APPLIANCE OR PRODUCT WITH THE POWER CONNECTED. DON'T JUST UNSCREW THE FUSE OR TRIP THE BREAKER, REMOVE THE POWER FROM THE RECEPTACLE.

TROUBLE	PROBABLE CAUSE	ACTION
Motor does not run.	Switch is off position Blown fuse Tripped breaker Switch port clogged Defective switch Defective motor	Turn switch to on position Replace Reset Remove and clean switch, port, adaptor Replace Replace
Motor runs but no water is delivered.	Improper voltage	Check voltage
Pump does not deliver to full capacity.	Improper voltage	Check voltage
Pump does not shut off.	Defective switch Missing check valve Clogged check valve in open position	Replace Install valve Clean debris
Pump starts and stop too often.	Defective switch Pump discharge too fast on low head Water pumped faster than tub is filled	Replace Install ball valve in discharge line to reduce flow rate It is normal

## TO THE END CONSUMER

*If you have any problems with the product, before advising the store, where you've purchased the pump, please contact us at 514 337-4415 , and ask for our sales department, and they will be pleased to help you with any questions you might have, concerning your installation.*