



3048H

12 cu ft WELDED STEEL DUMP CART



**READ AND FOLLOW ALL SAFETY RULES AND OPERATING
INSTRUCTIONS BEFORE USING THIS EQUIPMENT**

Safety Rules



This is the safety alert symbol. It is used to alert you to potential personal injury hazards. Obey all safety messages that follow this symbol to avoid possible injury or death.

Read and understand all safety rules and operating instructions before using this tractor attachment.

Follow all safety rules and operating instructions provided by your vehicle's manufacturer when using attachment.

Never allow children or untrained persons to operate vehicle or attachment.

Do not exceed the vehicle manufacturer's towed weight limit.

Reduce vehicle speed and allow extra stopping distance when towing heavy loads.

Reduce vehicle speed and towed weight when operating on slopes.

Operate up and down slopes, never across the face of slopes.

Do not carry passengers on vehicle or attachment.

Avoid sudden turns or maneuvers.

Do not tow attachment on public roadways.

Do not remove warning decals from product.

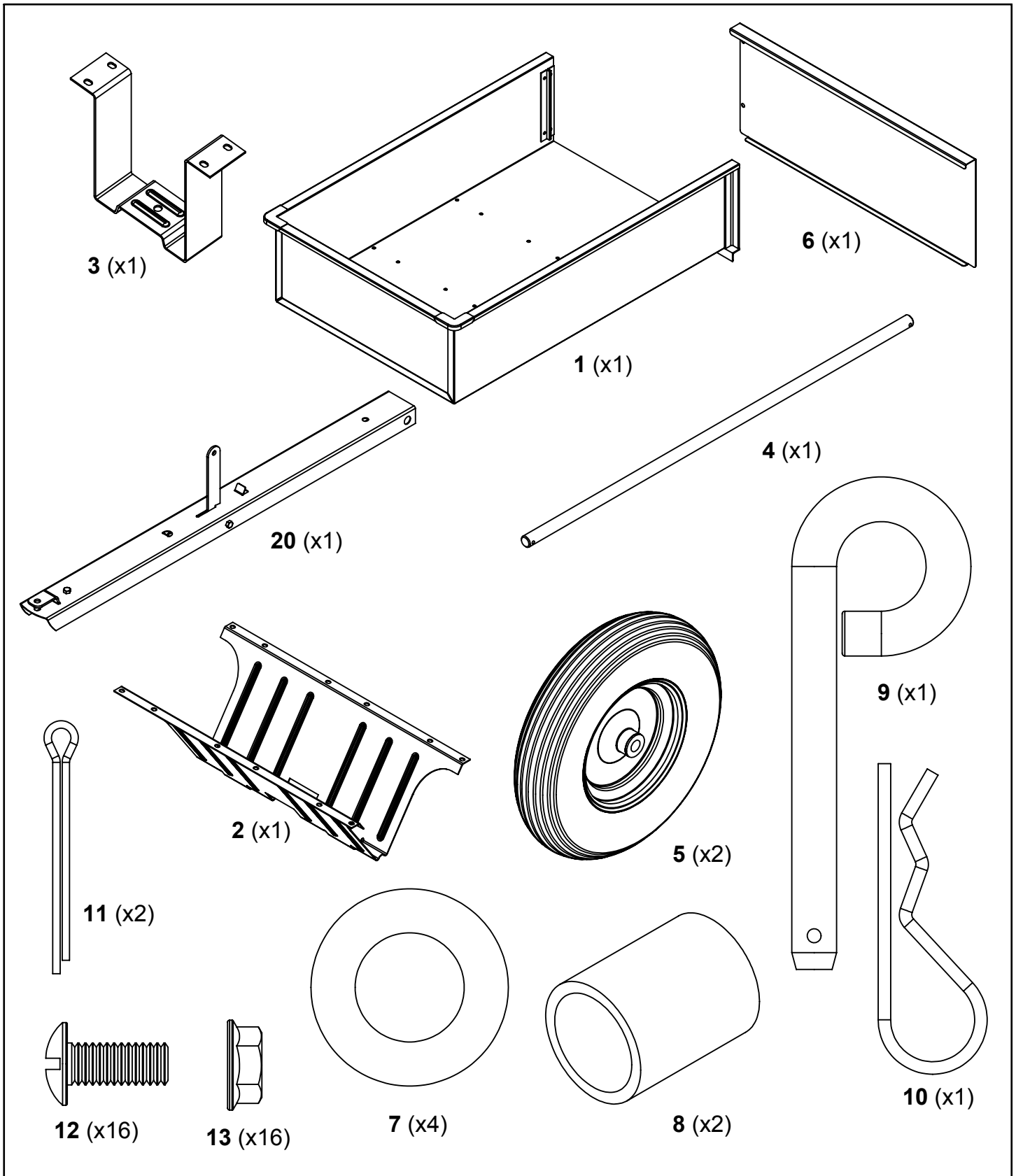
Check product for worn, loose, or damaged parts before each use. If any damage is present, repair the product before using.

Check product for loose or missing fasteners before each use. Tighten or replace fasteners as needed before using.

Do not exceed vehicle speed of 6 miles per hour when towing Dump Cart.

Do not exceed Dump Cart rated weight capacity of 1000 pounds.

Carton Contents



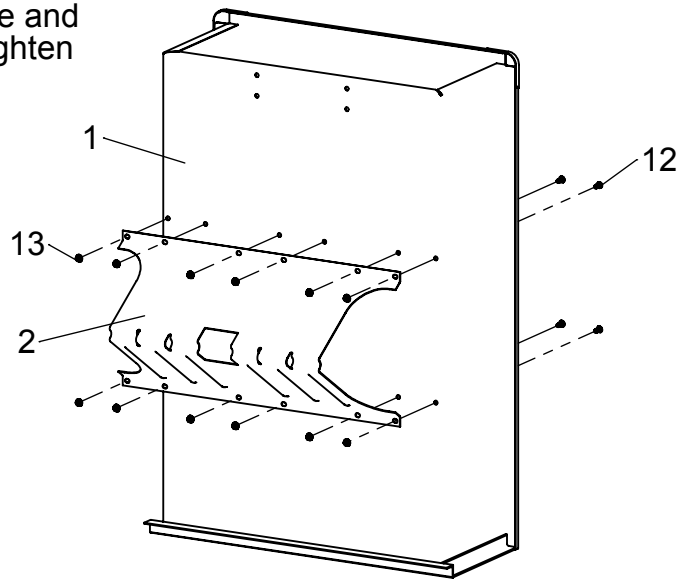
TOOLS REQUIRED FOR ASSEMBLY:

- Large Flat Screwdriver
- 1/2" Wrench or Socket
- Grease Gun

Assembly Instructions

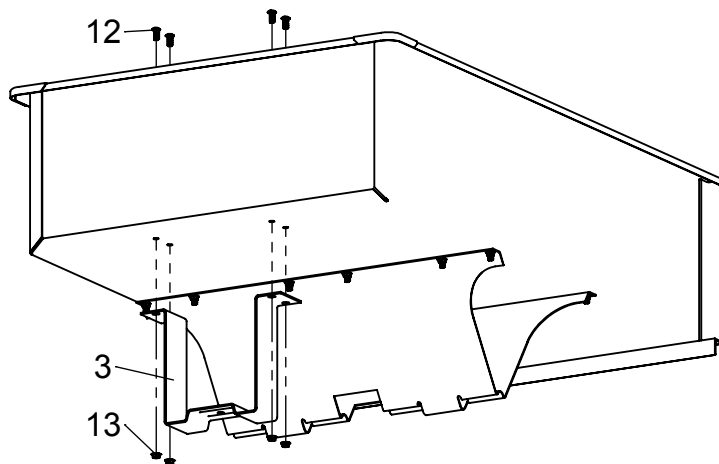
1

Place body on a smooth, flat surface and attach undercarriage to body and tighten with hardware as shown.



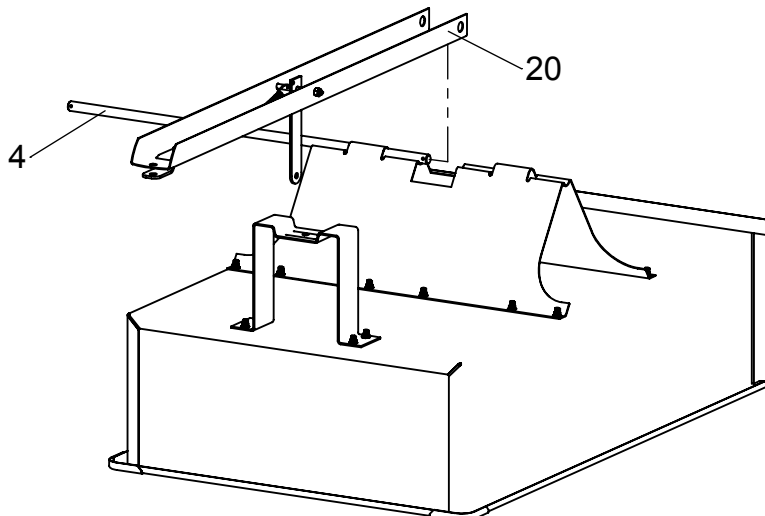
2

Attach front support to body and tighten with hardware as shown.



3

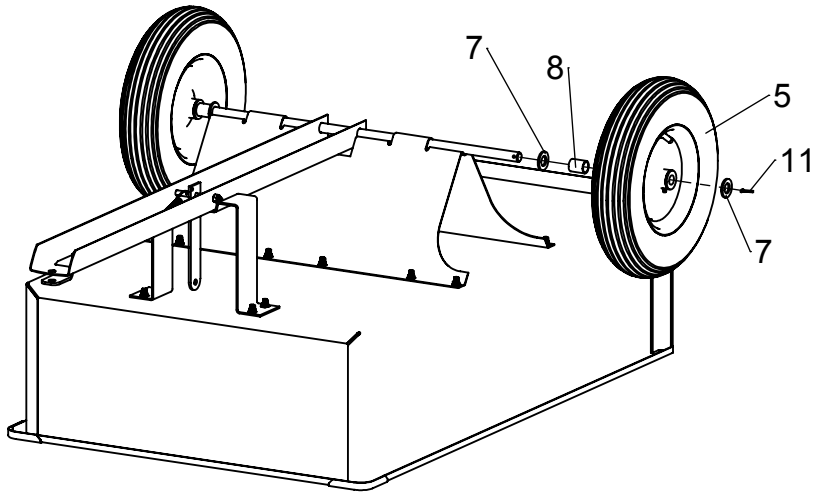
Slide axle completely through undercarriage; be sure to catch the drawbar when sliding the axle. Align drawbar with the front support and press down to latch.



Assembly Instructions

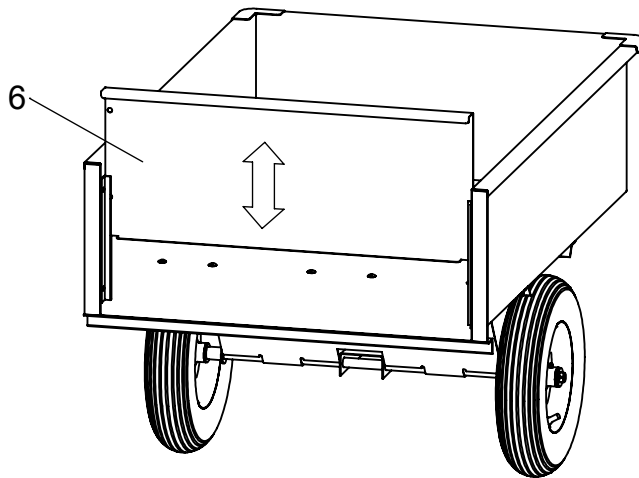
7

Slide washers, spacers, and wheels onto axle and secure with hairpins as shown.



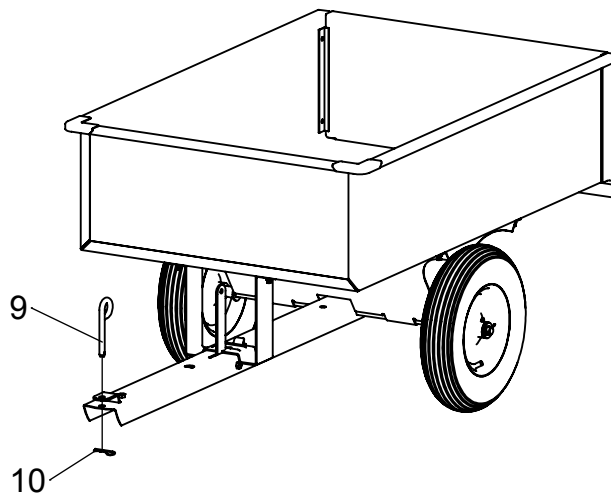
8

Attach tailgate to body as shown. No hardware is required, tailgate should move freely up or down.



9

Install hitch pin and hairpin to secure to attachment vehicle.



Operating Instructions

Before Using Dump Cart:

1. Apply grease to wheels using grease gun until grease can be seen squeezing out from both sides of the wheel.
2. Check tire pressure and inflate to 30 psi if needed.
3. Read all Safety Rules found on page 1.

How to Use Dump Cart:

1. Attach Dump Cart to your tractor using the supplied hitch pin.
2. Do not exceed 1,000 pounds when loading material into the cart body.
3. Distribute the weight of the load as evenly as possible in the cart body for best handling.
4. When hauling heavy loads, verify that your vehicle has adequate towing and braking capacity.
5. Do not exceed 6 miles per hour when towing Dump Cart.

How to Empty Dump Cart:

6. Pull hand lever forward to release the latch mechanism.
7. Angle cart body as desired to guide the material to preferred location.
8. Lower the body and guide the latch into the drawbar and relatch.

Periodic Maintenance:

- Tighten fasteners as needed before each use
- Check tire pressure before each use
- Grease wheels annually

Warranty

If this product fails due to a defect in material or workmanship within TWO YEARS from the date of purchase, we will at our option repair or replace it free of charge. This warranty excludes tires and wheels, which are expendable and become worn during normal use.

This warranty does not cover:

- Repairs necessary because of operator abuse or negligence.
- Equipment used for commercial or rental purposes.
- Paint that is worn or faded due to normal use or exposure.

To arrange for product repair call 1-800-652-2321, or return this product to place of purchase for replacement.

This warranty gives you specific legal rights, and you may also have other rights which may vary from state to state. This warranty applies only while this product is in use in the United States.

In the space below record the purchase date of your Dump Cart.

Model Number **3048H** _____

Purchase Date _____

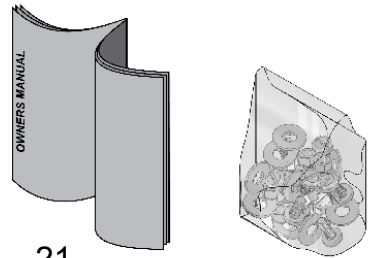
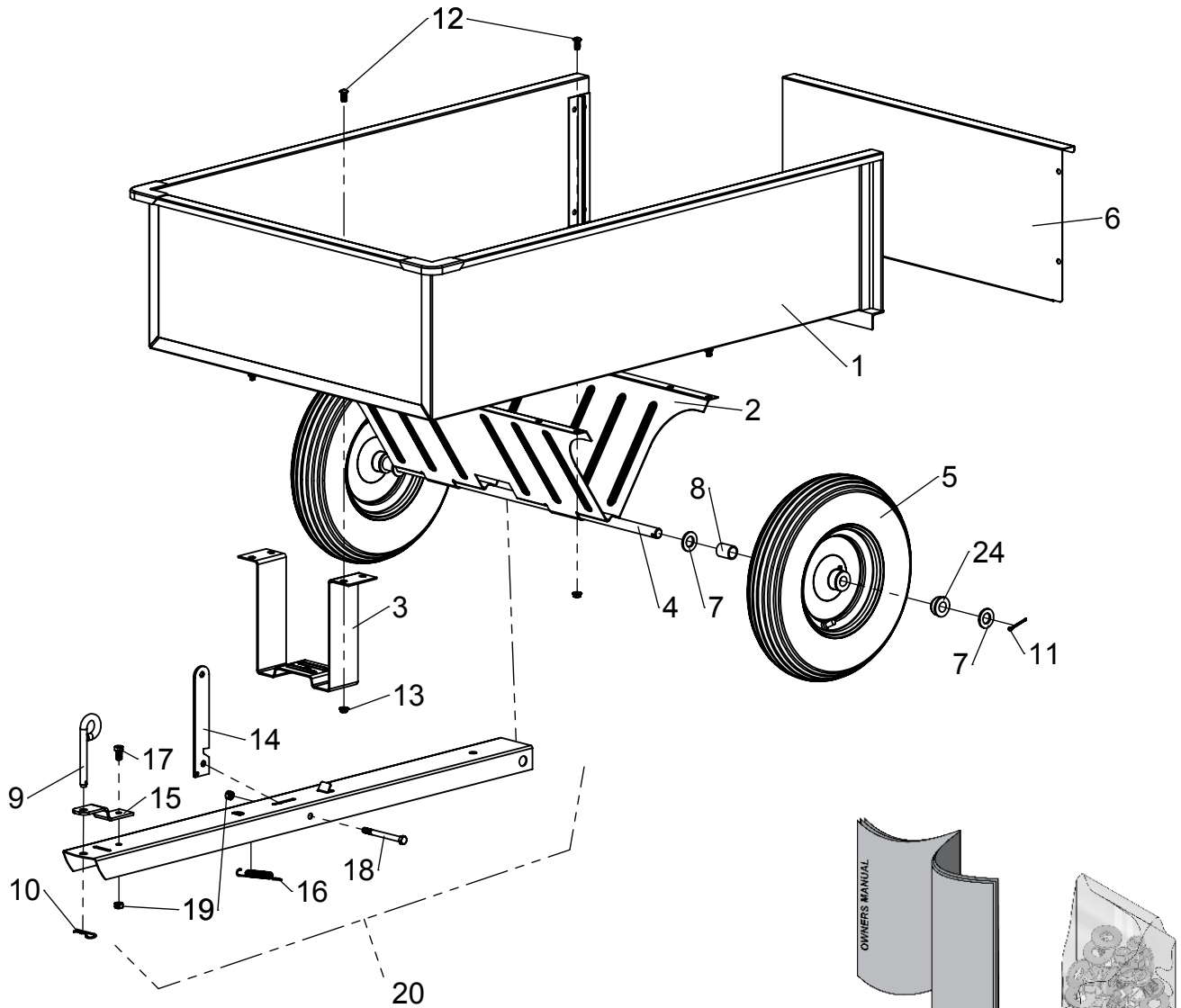
Keep this Owner's Manual and your receipt in a safe place for future reference.

After the two year warranty period all replacement parts may be ordered by calling **1-800-652-2321**.

When ordering replacement parts, always give the following information:

- Product **12 cu ft WELDED STEEL DUMP CART** _____
- Model Number **3048H** _____
- Part Number _____
- Part Description _____

Repair Parts



23

ITEM	PART NO	DESCRIPTION	QTY	ITEM	PART NO	DESCRIPTION	QTY
1	502002	WELDED BODY, 3048H	1	13	6000418	5/16 - 18 SPINNER GRIP NUT	16
2	419061	UNDERCARRIAGE	1	14	401111	LATCH POST	1
3	401091	FRONT SUPPORT	1	15	401121	BRACKET, HITCH	1
4	300001	AXLE	1	16	300131	SPRING, LATCH	1
5	300011	WHEEL (bushings included)	2	17	300052	HEX BOLT, 3/8-16 X 3/4"	1
6	401041	TAILGATE	1	18	300053	HEX BOLT, 3/8-16 X 4"	1
7	3000721	WASHER, 3/4" SAE	4	19	300061	HEX NUT, 3/8-16 C-LOCK	2
8	6000105	SPACER, 3/4 x 1.25"	2	20	501012	DRAWBAR ASSEMBLY (incl. 14-19)	1
9	6000533	PIN, HITCH	1	21	3020448	OWNERS MANUAL	1
10	300084	HAIRPIN COTTER, 0.093" X 2-5/16"	1	22	3020348	HARDWARE BOLT BAG	1
11	300081	COTTER PIN, 1/8" X 1-1/2"	2	23	300111	DECAL, OSI	1
12	300054	TRUSS HD SCREW, 5/16-18 X 3/4"	16	24	6000809	KIT, 3/4" WHEEL BUSHINGS (set of 4)	1

Notes

OHIOSTEEL
INDUSTRIES

DESIGNED AND TESTED IN COLUMBUS, OHIO
MANUFACTURED IN THE U.S.A. FROM DOMESTIC
AND IMPORTED COMPONENTS



MODEL # 3048H

2575 Ferris Road Columbus, OH 43224
(800) 652-2321

www.OHIOSTEEL.com

(800) 652-2321