

Job Name/Location:

Tag #:

Date:

For:	File	Resubmit
	Approval	Other_____

PO No.:

Architect: _____ GC: _____

Engr: _____ Mech: _____

Rep: _____
(Company) (Project Manager)

LV420HV1

Single Zone Vertical Air Handling Unit

Outdoor Unit (ODU) - LUU420HV Indoor Unit (IDU) - LVN420HV



Performance:

Cooling:

Cooling Capacity (Min~Rated~Max, Btu/h)	17,000 ~ 42,000 ~ 48,000
SEER2 / EER2	17.20/10.75

SEER - Seasonal Energy Efficiency Ratio

EER - Energy Efficiency Ratio

Heating:

Heating Capacity (Min~Rated~Max, Btu/h)	18,000 ~ 47,000 ~ 55,000
HSPF2	9.35
Max heating @ Indoor 70° DB (Btu/h)	
Outdoor 17°F WB	39,000
Outdoor 5°F WB	38,500
Outdoor -4°F WB	32,890

HSPF - Heating Seasonal Performance Factor

Cooling Nominal Test Conditions:

Indoor: 80°F DB / 67°F WB

Outdoor: 95°F DB / 75°F WB

Heating Nominal Test Conditions:

Indoor: 70°F DB / 60°F WB

Outdoor: 47°F DB / 43°F WB

Electrical:

Power Supply ¹ (V/Hz/Ø)	208-230 / 60 / 1
MOP / MCA (A)	40 / 32
Cooling / Heating Rated Amps (A)	24.2 / 24.2
Compressor(A)	22.0
Fan Motor (IDU + ODU) (A)	2.2 + (1.6 x 2)
Cooling Power Input (Min~Rated~Max, kW)	1.35 ~ 3.91 ~ 5.30
Heating Power Input (Min~Rated~Max, kW)	1.45 ~ 3.95 ~ 5.65

MOP - Maximum Overcurrent Protection

MCA - Minimum Circuit Ampacity

Piping:

Installed Liquid Pipe (in., O.D.)	3/8 Flare
Installed Vapor Pipe (in., O.D.)	5/8 Flare
IDU Liquid Connection (in., O.D.)	3/8 Flare
IDU Vapor Connection (in., O.D.)	5/8 Flare
Additional Refrigerant (oz./ft.)	0.43
Min/Max. Pipe Length (ft.)	6.6 / 246
Piping Length (no add'l refig., ft.)	24.6
Max. Elevation (ft.)	98.4

Features:

- Hot start
- Inverter (variable speed)
- Auto restart
- Control lock
- Group control
- Timer (on/off)
- Sleep Mode
- Optional Wi-Fi Control

- Built in dry contact
- ESP (External Static Pressure) Control

Required Accessories (sold separately):

Controller (Any LG wired remote controller)

Optional Accessories:

- | | |
|--|---|
| <input type="checkbox"/> MultiSITE™ CRC2 - PREMTBVC2 | <input type="checkbox"/> Drain Pan Heater - PQSH1200 |
| <input type="checkbox"/> MultiSITE™ CRC2+ - PREMTBVC3 | <input type="checkbox"/> Dry Contact - PDRYCB320 |
| <input type="checkbox"/> MultiSITE™ CRC2+Z - PREMTBVC4 | <input type="checkbox"/> Low Ambient Wind Baffle (cooling operation to -4°F) - ZLABGP04A ⁹ |
| <input type="checkbox"/> MultiSITE™ Comm. Mgr. - PBACNBTR0A | <input type="checkbox"/> Electric Heater 3kW - ANEH033B1 ¹¹ |
| <input type="checkbox"/> AC Smart 5 - PACS5A000 | <input type="checkbox"/> PI-485 Control Board - PMNFP14A1 |
| <input type="checkbox"/> ACP 5 - PACP5A000 | <input type="checkbox"/> Downflow Conversion Kit - PNDFK0 |
| <input type="checkbox"/> Simple Controller - PREMTCO00 | |
| <input type="checkbox"/> Wi-Fi module - PWFMD200 | |
| <input type="checkbox"/> Remote Temperature Sensor - ZRTBS01 | |
| <input type="checkbox"/> Aux Heater Relay Kit - PRARH1 | |

Operating Range:

Outdoor Unit:

Cooling (°F DB)	5 to 118
Heating (°F WB)	-4 to 64

Indoor Unit:

Cooling (°F WB)	57 to 77
Heating (°F DB)	59 to 81

System Data:

Refrigerant Type/Control	R410A / EEV
Refrigerant Charge (lbs.)	7.5
ODU Sound Pressure Max (Cool / Heat) ±1 dB(A) ³	52 / 54
IDU Sound Pressure (H/M/L) ±1 dB(A) ³	48 / 45 / 44
ODU Net / Shipping Weight (lbs.)	203 / 232
IDU Net / Shipping Weight (lbs.)	158.7 / 176.4

Fan:

ODU / IDU Fan Type	Propeller/Sirocco
Fan Speeds (Fan/Cool/Heat)	3/3/3
Fan Quantity (ODU + IDU)	2 + 1
Motor/Drive	Brushless Digitally Controlled / Direct
Maximum ODU Air Volume (CFM)	1,942 x 2
IDU Air Volume (H/M/L) (CFM)	1,260 / 1,100 / 1,000
Dehumidification Rate (pts/hr) ¹⁰	4.3
IDU External Static Pressure Operating Range (Min~Default~Max) (in-wg) ¹¹	0.1~ 0.3 ~ 1.0

Notes:

1. Acceptable operating voltage: 187V-253V.
2. Piping lengths are equivalent.
3. Sound Pressure levels are tested in an anechoic chamber under ISO Standard 3745.
4. All power/communication cable to be minimum 14 American wire gage (AWG), 4-conductor, stranded, shielded or unshielded wire and must comply with applicable local and national code. If shielded, the wire must be grounded to the chassis at the outdoor unit only.
5. Power wiring cable size must comply with the applicable local and national code.
6. The indoor unit comes with a dry helium charge.
7. This data is rated 0 ft. above sea level, with 25 ft. of refrigerant line and a 0 ft. level difference between outdoor and indoor units.
8. Must follow installation instructions in the applicable LG installation manual.
9. If the optional low ambient wind baffle (ZLABGP04A) is used, one wind baffle is required for each ODU fan.
10. Dehumidification rate is based on high speed airflow.
11. Electric heater accessory available in 3kW, 5kW, 8kW, 10kW, 15kW, and 20kW capacities. Refer to the engineering manual for details.
12. Controller not included.



Proper sizing and installation of equipment is critical to achieve optimal performance. Split system air conditioners and heat pumps (excluding ductless systems) must be matched with appropriate coil components to meet ENERGY STAR® criteria. Ask your contractor for details or visit www.energystar.gov. (ENERGY STAR and the ENERGY STAR mark are registered trademarks owned by the U.S. Environmental Protection Agency.)



For a complete list of available accessories, contact your LG representative.

For continual product development, LG reserves the right to change specifications without notice.

© LG Electronics U.S.A., Inc., Englewood Cliffs, NJ. All rights reserved. "LG Life's Good" is a registered trademark of LG Corp. / www.lghvac.com

SB_SZ_VAHU_NK_LV420HV1_2023_06_21_133933

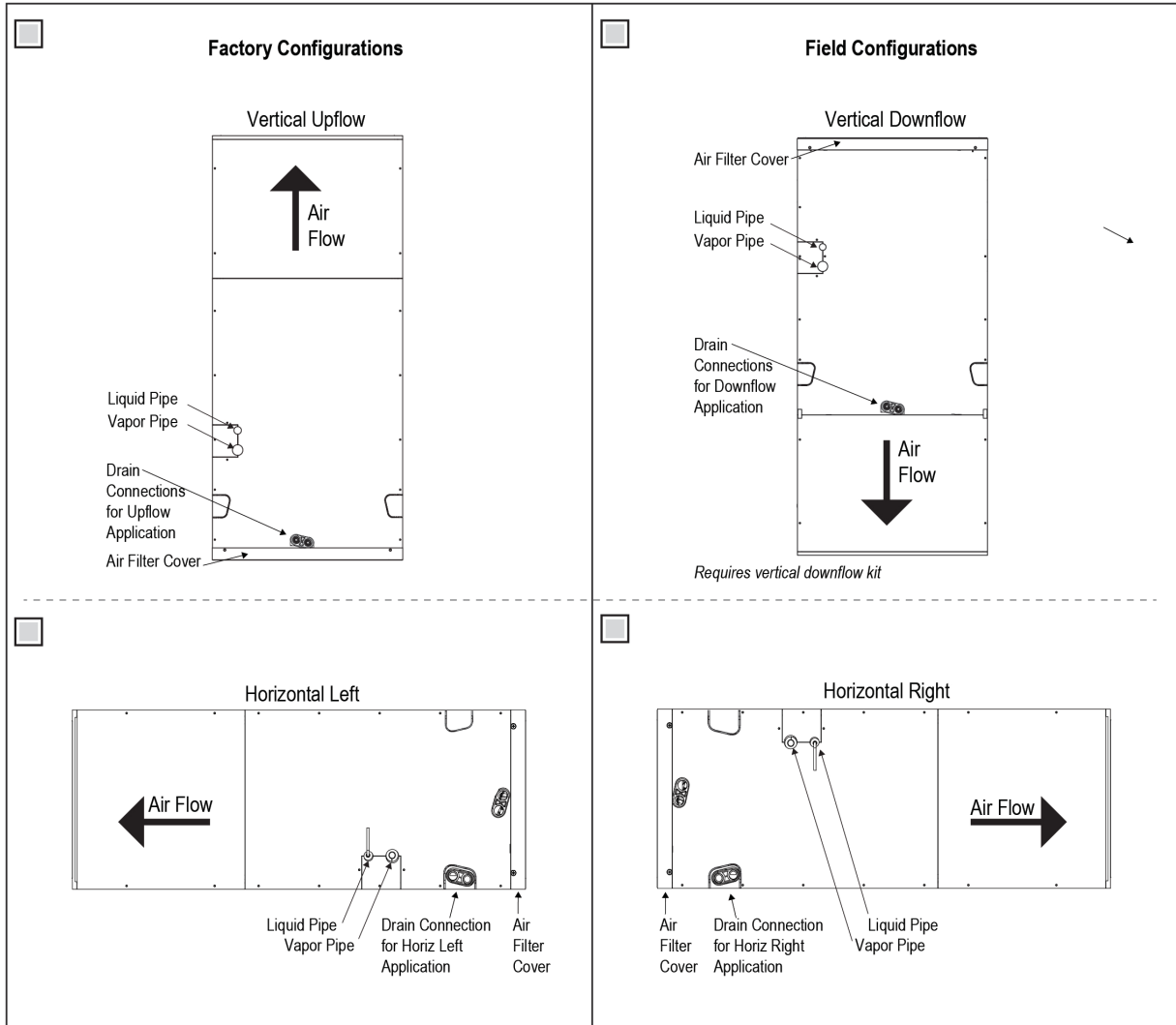
LVN420HV
Single Zone Vertical Air Handling Unit



Tag No.: _____

Date: _____

PO No.: _____



LUU420HV

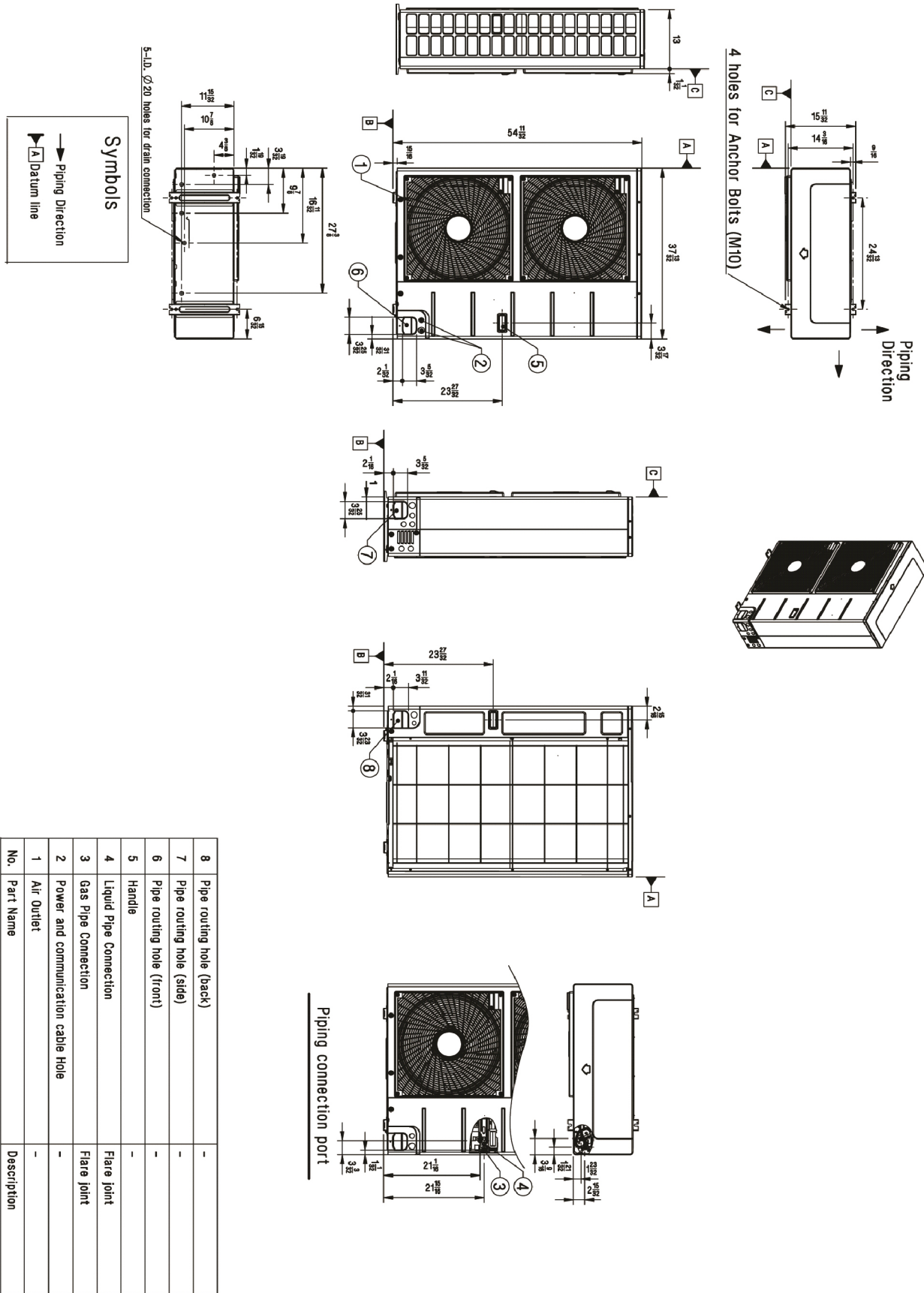
Single Zone Vertical Air Handling Unit



Tag No.: _____

Date: _____

PO No.: _____



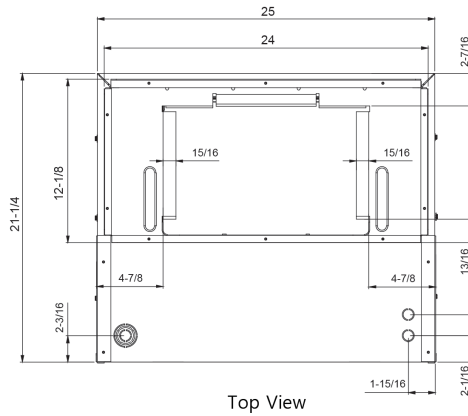
LVN420HV
Single Zone Vertical Air Handling Unit



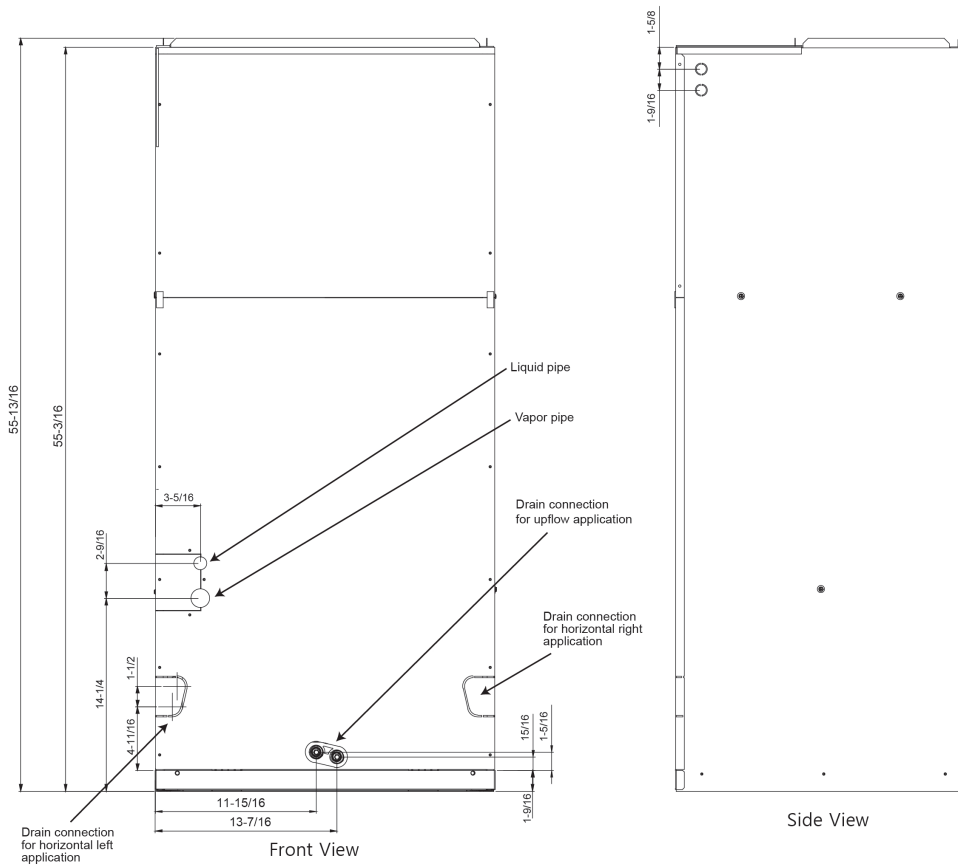
Tag No.: _____

Date: _____

PO No.: _____

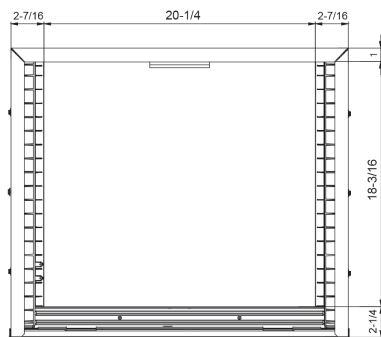


Top View



Front View

Side View



Bottom View

Unit: inch