

Air-Conditioners

PVA-A30, 36, 42 AA4

INSTALLATION MANUAL

FOR INSTALLER

For safe and correct use, please read this installation manual thoroughly before installing the air-conditioner unit.

MANUEL D'INSTALLATION

POUR L'INSTALLATEUR

Veuillez lire le manuel d'installation en entier avant d'installer ce climatiseur pour éviter tout accident et vous assurer d'une utilisation correcte.

English

Français

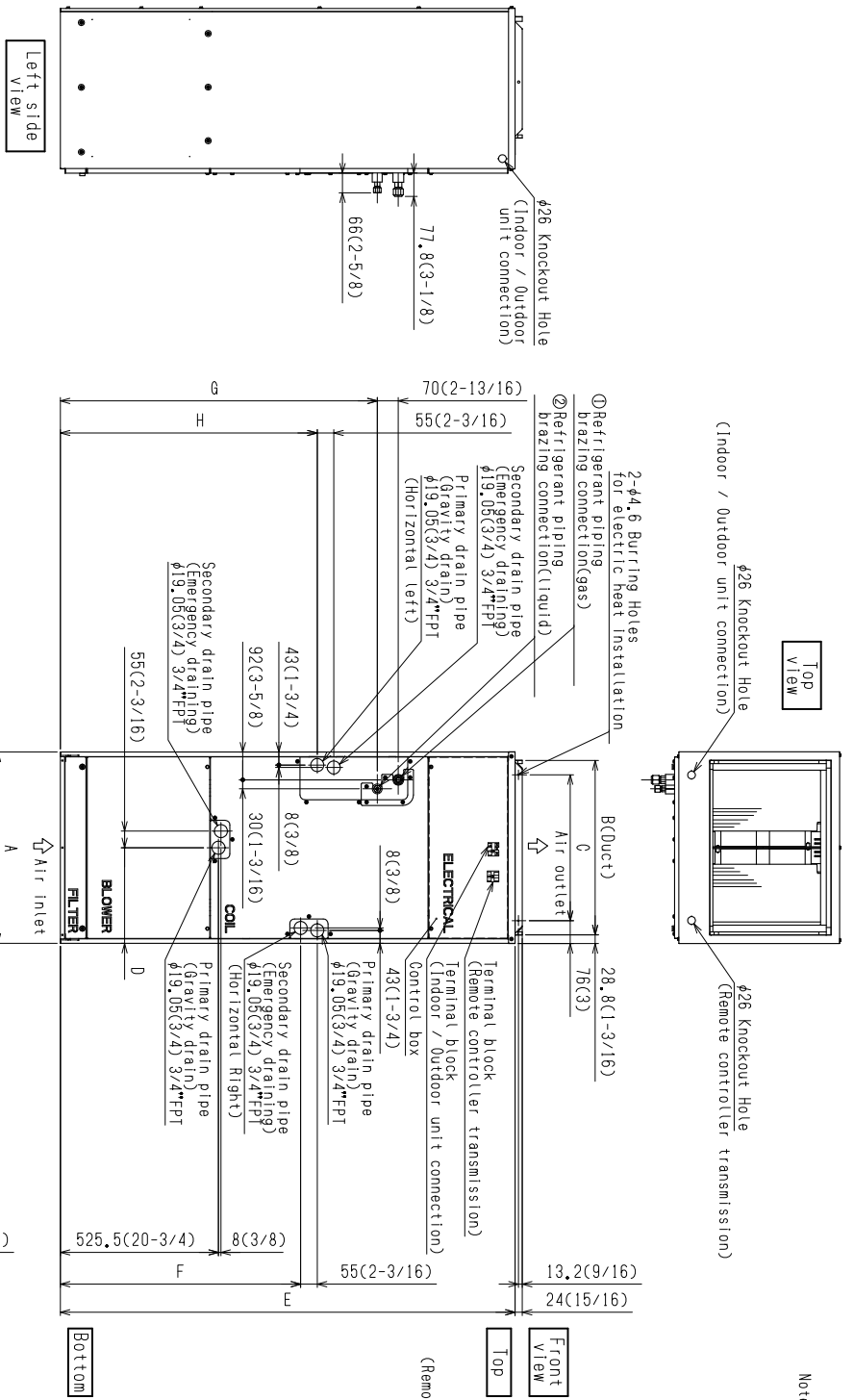
Contents

Contents	2	10. Air filter.....	15
1. Dimensions.....	3	11. Refrigerant piping work.....	16
2. Inspect shipment	4	11.1. Insulation.....	17
3. Safety precautions.....	4	11.2. Piping size.....	17
3.1. Before installation and electric work.....	4	12. Drain connections.....	18
3.2. Precautions for devices that use R410A refrigerant	5	13. Electrical wiring.....	19
3.3. Before getting started	5	13.1. Remote controllers.....	20
3.4. Before getting installed (moved)-electrical work	5	13.2. Connecting line voltage	21
3.5. Before starting the test run	6	13.3. Condensate overflow safety switch connection	22
4. Indoor unit accessories.....	6	13.4. Changing blower external static pressure.....	22
5. Selecting an installation site	6	13.5. ERV (energy recovery ventilation)	23
6. Combining indoor units with outdoor units.....	6	13.6. Humidifier.....	24
7. Installing the unit.....	6	14. Test run.....	25
8. Duct connection.....	7	14.1. Before test run	25
9. Mount positions	7	14.2. Test run	25
9.1. Vertical installations	7	14.3. Self-check	25
9.2. Horizontal right installations.....	8	14.4. AUTO RESTART FUNCTION	27
9.3. Horizontal left installations	9		
9.4. Downflow installations	13		

1. Dimensions

Model	A	B	C	D	E	F	G	H	J	① Gas pipe	② Liquid pipe
PVA-A30AA4	534	477	382.6	266.5	1378	737	953.5	792	461	φ15.88 (5/8)	φ9.52 (3/8)
(21)	(18-13/16)	(15-1/8)	(10-1/2)	(54-1/4)	(29-1/16)	(37-9/16)	(31-3/16)	(18-3/16)			
PVA-A36AA4	635	579	484.6	317.5	1511	798.5	1053	853.5	563		
(25)	(22-13/16)	(19-1/8)	(12-1/2)	(59-1/2)	(31-7/16)	(41-1/2)	(33-5/8)	(22-3/16)			

Unit:mm(in.)



Note 1. Keep the service space for maintenance at the front.

Model	③ Nominal Filter size	Duct Connection
PVA-A30AA4	508X508X25.4 (20X20X1)	477X402 (18-13/16X15-7/8)
PVA-A36AA4	508X609.6X25.4 (20X24X1)	579X402 (22-13/16X15-7/8)

2. Inspect shipment

These air handlers are completely factory assembled, and all components are performance tested. Each unit consists of a blower assembly, refrigerant coil and controls in an insulated, galvanized steel factory enclosure. Knockouts are provided for electrical wiring entrance. Check the unit rating plate to confirm specifications are as ordered. Upon receipt of equipment,

carefully inspect it for possible damage. Take special care to examine the unit if the carton is damaged. If damage is found, it should be noted on the carrier's freight bill. Damage claims should be filed with the carrier immediately. Claims of shortages should be filed with the seller within 5 days.

3. Safety precautions

3.1. Before installation and electric work

Before installing the unit, make sure you read all the "Safety precautions".

The "Safety precautions" provide very important points regarding safety. Make sure you follow them.

Symbols used in the text

⚠ Warning:

Describes precautions that should be observed to prevent danger of injury or death to the user

⚠ Caution:

Describes precautions that should be observed to prevent damage to the unit

⚠ Warning:

Carefully read the labels affixed to the main unit.

⚠ Warning:

- **The unit must be installed by an authorized Dealer or properly trained technician.**
 - Improper installation by the user may result in water leakage, electric shock, or fire.
- **Install the air unit in a place that can withstand its weight.**
 - Inadequate strength may cause the unit to fall down, resulting in injuries.
- **Use the specified cables for wiring. Make the connections securely so that the outside force of the cable is not applied to the terminals.**
 - Inadequate connection and fastening may generate heat and cause a fire. Provide strain relief to wiring.
- **Prepare for typhoons, hurricanes, earthquakes etc. and install the unit at the specified place.**
 - Improper installation may cause the unit to topple and result in injury.
- **Never repair the unit. If the air conditioner must be repaired, consult the dealer.**
 - If the unit is repaired improperly, water leakage, electric shock, or fire may result.
- **Do no touch the heat exchanger fins.**
 - Improper handling may result in injury.
- **When handling the product, always wear protective equipment.**
 - EG: Gloves, full arm protection, and safety glasses.
 - Improper handling may result in injury.
- **Install the air conditioner according to this Installation Manual.**
 - If the unit is installed improperly, water leakage, electric shock, or fire may result.
- **Have all electric work done by a licensed electrician according the "National Electrical code and local Electrical codes" and "Interior Wire Regulations" and the instructions given in this manual and always use a special circuit.**
 - If the power source capacity is inadequate or electric work is performed improperly, electric shock and fire may result.

- **Keep the electric parts away from water (washing water etc.).**
 - It might result in electric shock, catching fire or smoke.
- **When cleaning the Heat Exchanger and Drain Pan, ensure the Control Box, Motor and LEV remain dry, water proof covering.**
- **When installing and moving the air conditioner to another site, do not charge it with a refrigerant different from the refrigerant specified on the unit.**
 - If a different refrigerant or air is mixed with the original refrigerant, the refrigerant cycle may malfunction and the unit may be damaged.
- **When moving and reinstalling the air conditioner, consult the dealer or an authorized technician.**
 - If the air conditioner is installed improperly, water leakage, electric shock, or fire may result.
- **Do not reconstruct or change the settings of the protection devices.**
 - If the pressure switch, thermal switch, or other protection devices are shorted and operated forcibly, or parts other than those specified by Mitsubishi Electric are used, fire or explosion may result.
- **To dispose of this product, consult your dealer.**
- **Do not use a leak detection additive.**
- **Always use an air cleaner, humidifier, electric heater, and other accessories specified by Mitsubishi Electric.**
 - Ask an authorized technician to install the accessories. Improper installation by the user may result in water leakage, electric shock, or fire.
- **If refrigerant gas leaks during installation work, ventilate the room.**
 - If the refrigerant gas comes into contact with a flame, poisonous gases will be released.
- **Securely install the outdoor unit terminal cover (panel).**
 - If the terminal cover (panel) is not installed properly, dust or water may enter the outdoor unit and fire or electric shock may result.
- **If the air conditioner is installed in a small room, measures must be taken to prevent the refrigerant concentration from exceeding the safety limit even if the refrigerant should leak.**
 - Consult the dealer regarding the appropriate measures to prevent the safety limit from being exceeded. Should the refrigerant leak and cause the safety limit to be exceeded, hazards due to lack of oxygen in the room could result.
- **After completing installation work, make sure that refrigerant gas is notleaking.**
 - If the refrigerant gas leaks and is exposed to a fan heater, stove, oven, or other heat source, it may generate noxious gases.
- **Children should not be allowed around the air conditioning equipment**
- **The installer and system specialist shall ensure there is no refrigerant leakage according to local regulations and standards.**

- Pay special attention to the location the unit is installed in. Refrigerant is heavier than air so locations such as basements or crawlspaces where refrigerant can accumulate can become dangerous.
- The appliance is intended for use by persons (including children) with reduced physical, sensory or mental capabilities, or lack of experience and knowledge, unless they have been given supervision or instruction concerning use of the appliance by a person responsible for their safety.
- If the supply cord is damaged, it must be replaced by the manufacturer, its service agent or similarly qualified persons in order to avoid a hazard.
- Do not use refrigerant other than the type indicated in the manuals provided with the unit and on the nameplate.
 - Doing so may cause the unit or pipes to burst, or result in explosion of fire during use, during repair, or at the time of disposal of the unit.
 - It may also be in violation of applicable laws.
 - MITSUBISHI ELECTRIC CORPORATION cannot be held responsible for malfunctions or accidents resulting from the use of the wrong type of refrigerant.

3.2. Precautions for devices that use R410A refrigerant

⚠ Caution:

- Do not use the existing refrigerant piping.
 - The old refrigerant and refrigeration oil in the existing piping contains a large amount of chlorine which may cause the refrigerator oil of the new unit to deteriorate.
- Use refrigerant piping made of C1220 (Cu-DHP) phosphorus deoxidized copper as specified in the JIS H3300 “Copper and copper alloy seamless pipes and tubes”. In addition, be sure that the inner and outer surfaces of the pipes are clean and free of hazardous sulphur, oxides, dust/dirt, shaving particles, oils, moisture, or any other contaminants.
 - Contaminants on the inside of the refrigerant piping may cause the refrigerant residual oil to deteriorate
- Store the piping to be used during installation indoors and keep both ends of the piping sealed until just before brazing. (Store elbows and other joints in a plastic bag.)
 - If dust, dirt, or water enters the refrigerant cycle, deterioration of the oil and compressor trouble may result.
- Use liquid refrigerant to fill the system.
 - If gas refrigerant is used to seal the system, the composition of the refrigerant in the cylinder will change and performance may drop.
- Do not use a refrigerant other than R410A.
 - If another refrigerant is used, the chlorine in the refrigerant may cause the refrigerator oil to deteriorate.
- Use a vacuum pump with a reverse flow check valve.
 - The vacuum pump oil may flow back into the refrigerant cycle and cause the refrigerator oil to deteriorate.
- Do not use the following tools that are used with conventional refrigerants.
 - (Gauge manifold, charge hose, gas leak detector, reverse flow check valve, refrigerant charge base, vacuum gauge, refrigerant recovery equipment).
 - If the conventional refrigerant and refrigeration oil are mixed in the R410A, the refrigerant may deteriorate.
 - If water is mixed in the R410A, the refrigeration oil may deteriorate.
 - Since R410A does not contain any chlorine, gas leak detectors for conventional refrigerant will not react to it.
 - Do not use a charging cylinder. May cause the refrigerant to deteriorate.
- Be especially careful when managing the tools.
 - If dust, dirt, or water gets in the refrigeration system, the refrigerant may deteriorate.

3.3. Before getting started

⚠ Caution:

- Do not install the unit where combustible gas may leak.
 - If the gas leaks and accumulates around the unit, an explosion may result.
- Do not use the air conditioner in special environments.
 - Oil, steam, sulfuric smoke, etc. can significantly reduce the performance of the air conditioner or damage its parts.
- When installing the unit in a hospital, communication station, or similar place, provide sufficient protection against noise.
 - The inverter equipment, private power generator, high-frequency medical equipment, or radio communication equipment may cause the air conditioner to operate erroneously, or fail to operate. On the other hand, the air conditioner may affect such equipment by creating noise that disturbs medical treatment of image broadcasting.
- Do not install the unit on a structure that may cause leakage.
 - When the room humidity exceeds 80% or when the drain pipe is clogged, condensation may drip from the indoor unit. Perform collective drainage work together with the outdoor unit, as required.
- When the ambient dew point temperature exceeds 75 °F (24 °C), dew condensation may occur on the unit surface. Perform appropriate treatment to avoid dew condensation.

3.4. Before getting installed (moved)-electrical work

⚠ Caution:

- Ground the unit.
 - Do not connect the ground wire to gas or water pipes, lightning rods, or telephone ground lines. Improper grounding may result in electric shock.
- Install the power cable so that tension is not applied to the cable.
 - Tension may cause the cable to break and generate heat and cause a fire.
- Install a leak circuit breaker as required.
 - If a leak circuit breaker is not installed, electric shock may result.
- Use power line cables of sufficient current carrying capacity and rating.
 - Cables that are too small may leak, generate heat, and cause a fire.
- Use only a circuit breaker and fuse of the specified capacity.
 - A fuse or circuit breaker of a larger capacity or a steel or copper wire may result in a general unit failure or fire.
- Do not wash the air conditioner units.
 - Washing them may cause an electric shock.
- Be careful that the installation base is not damaged by long use.
 - If the damage is left uncorrected, the unit may fall and cause personal injury or property damage.
- Install the drain piping according to this Installation Manual to ensure proper drainage. Wrap thermal insulation around the pipes to prevent condensation.
 - Improper drain piping may cause water leakage and damage to furniture and other possessions.
- Be very careful about product transportation.
 - If the product weighs more than 20 kg [44 lb], then more than one person should carry the product.
 - Some products use PP bands for packaging. Do not use any PP bands for a means of transportation; it is dangerous.
 - Do not touch the heat exchanger fins. Doing so may cut your fingers.

- **Safely dispose of the packing materials.**
 - Packing materials, such as nails and other metal or wooden parts, may cause stabs or other injuries.
 - Tear apart and throw away plastic packaging bags so that children will not play with them. If children play with a plastic bag which was not torn apart, they face the risk of suffocation.

3.5. Before starting the test run

⚠ Caution:

- **Turn on the power at least 12 hours before starting operation.**
 - Starting operation immediately after turning on the main power switch can result in severe damage to internal parts. Keep the power switch turned on during the operational season.
- **Do not touch the switches with wet fingers.**
 - Touching a switch with wet fingers can cause electric shock.
- **Do not touch the refrigerant pipes during and immediately after operation.**
 - During and immediately after operation, the refrigerant pipes may be hot or may be cold, depending on the condition of the refrigerant flowing through the refrigerant piping, compressor, and other refrigerant cycle parts. Your hands may suffer burns or frostbite if you touch the refrigerant pipes.
- **Do not operate the air conditioner with the panels and guards removed.**
 - Rotating, hot, or high-voltage parts can cause injuries.
- **Do not turn off the power immediately after stopping operation.**
 - Always wait at least five minutes before turning off the power. Otherwise, water leakage and trouble may occur.

4. Indoor unit accessories

Part No.		Qty
1	Plastic tie	4
2	Plastic tube	2
3	Installation Manual	1
4	Operation Manual	1
5	Drain pan seal	2

5. Selecting an installation site

- Avoid locations exposed to outside air.
- Select a location free of obstructions to the airflow in and out of the unit.
- Avoid locations exposed to steam or vapor
- Avoid locations where combustible gas may leak, settle or be generated.
- Avoid installation near machines emitting high-frequency waves (high frequency welders, etc.).
- Avoid locations where the airflow is directed at a fire alarm sensor. (Hot air could trigger the alarm during operation)
- Avoid places where acidic solutions are frequently used.
- Avoid places where sulphur-based or other sprays are commonly used.
- When the air handler is installed in the horizontal position please install a drain pan under entire cabinet.
- Install sufficient thermal insulation to prevent condensation from forming on the outlet and inlet ducts.

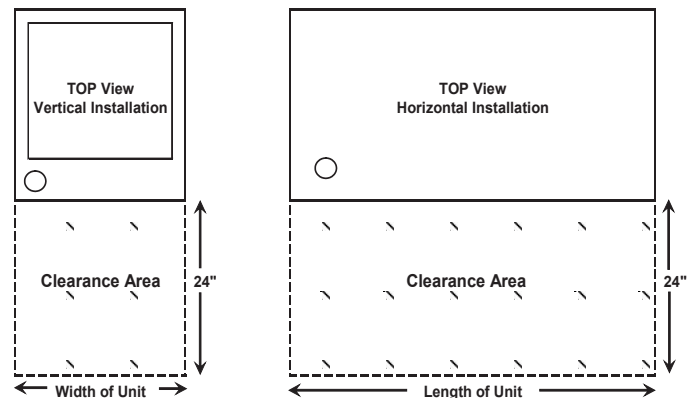
6. Combining indoor units with outdoor units

For combining indoor units with outdoor units, refer to the outdoor unit's installation manual.

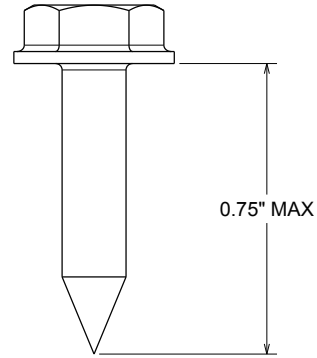
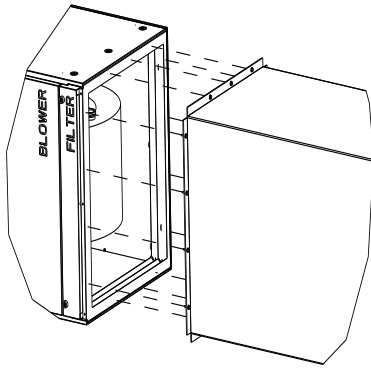
7. Installing the unit

The air handler can be installed in a vertical, horizontal (**Right and Left**) and Downflow configuration as shown in step 9.1. through 9.4. The units are designed for "0" zero clearance to combustibles. 24" is required for service access to the front of the unit. (See Installation Clearance) Regardless of mounting configuration, the air handler must be mounted level to facilitate proper condensate drainage.

Installation Clearance



8. Duct connection



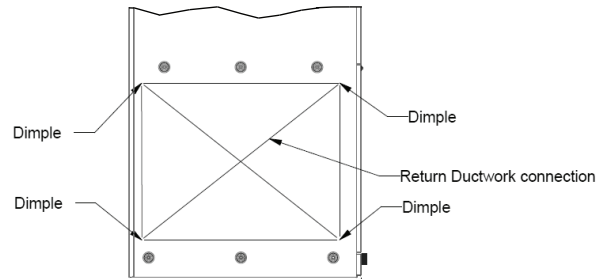
- See the outline drawing for the size of the duct connection.
- Use flanged ducts for connections to return
- Do not use sheetmetal screws longer than 0.75" to secure any ductwork to the air handler

9. Mount positions

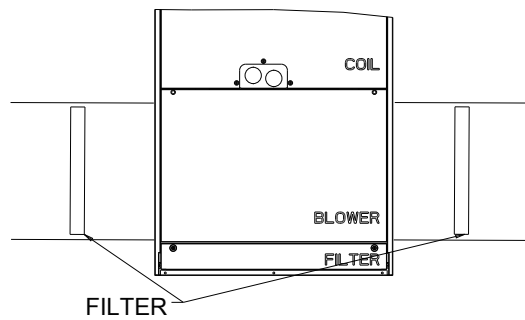
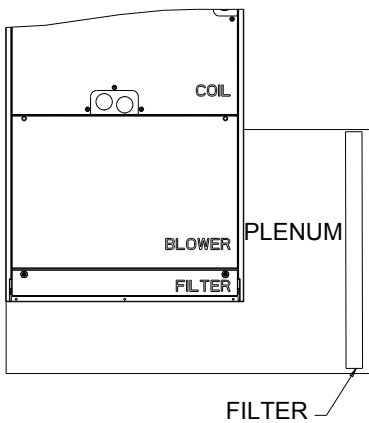
9.1. Vertical installations

The air handler must be supported on the bottom only and set on a solid floor with a return plenum below or field supplied supporting frame or plenum. Securely attach the air handler to the floor or supporting frame or plenum.

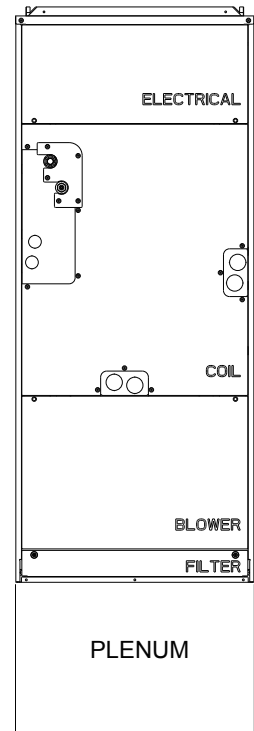
Dual side returns must be used on all models to ensure proper air flow. If the side return is used **it is the responsibility of the installer to ensure the ducts are properly sized and sealed to the cabinet.** When cutting in to the side of the cabinet, use the provided dimples to avoid damaging any internal structure or wiring.



SIDE RETURN



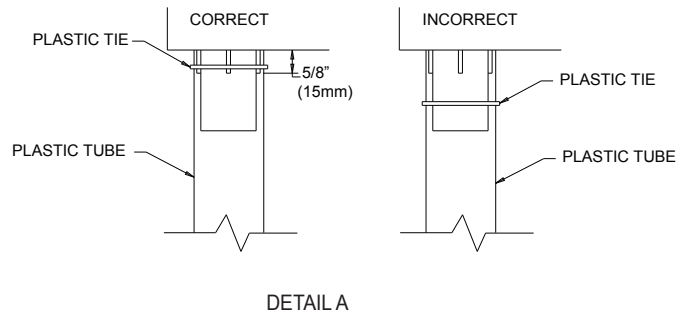
DUAL SIDE RETURN
SEAL BOTTOM OF AIR HANDLER
ADD TWO FILTERS



9.2. Horizontal right installations

Refer to section 9.3. Step 1 to 4 & 12 for removing the entire coil assembly from the air handler cabinet. This will require removing the Filter, Blower, Electrical and Coil Panels along with the brackets that secure the coil assembly. Be sure to also route the thermistor wires out of the electrical portion of the air handler so the coil can be removed.

Once the coil is removed, the two clear plastic tubes included in the accessory bag will need to be attached to the top drain pan. First, remove the lower rubber plugs in the top drain pan. Next, install the clear plastic tubes which are included in the accessory bag. Ensure the plastic tubes drain into the pan. Also, be sure the clear plastic tubes do not have any restriction. Cutting of the plastic tube is required, please refer to the table for length. Finally, secure the clear plastic tubes to the top drain pan per Detail A. Then to the metal brackets supporting the coil to the top drain pan with the provided plastic ties as shown.

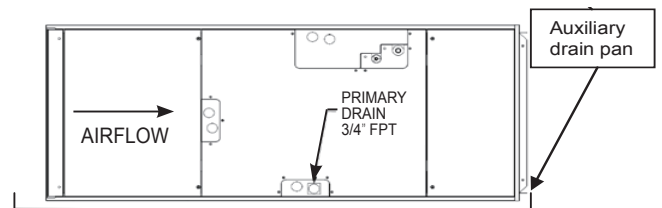
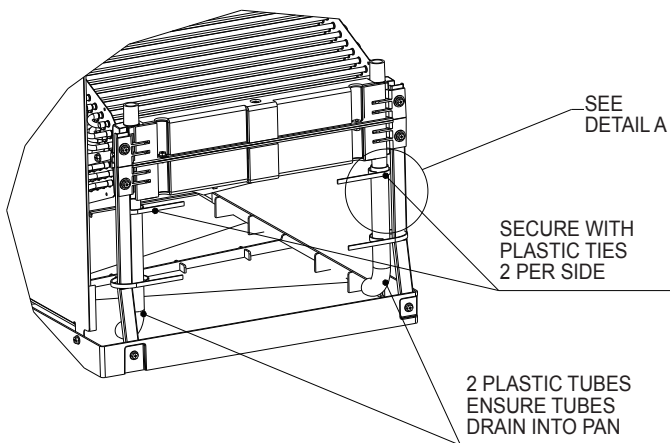
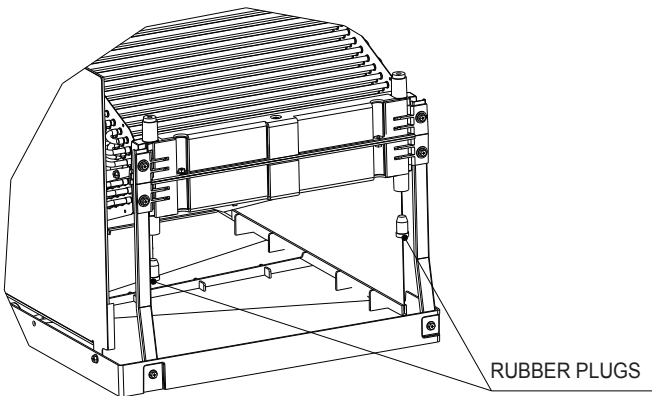


Model	Tube Length
PVA-A30	6.9 in. (175 mm)
PVA-A36, 42	*8.9 in. (225 mm)

*Tube length provided.

Reinstall the coil assembly along with bracket(s) that secure(s) it. Failure to reinstall the brackets will result in capacity loss and condensation formation inside the cabinet. The wiring harness for the thermistor connector will also reroute into the electrical section and plug into **CN44**. Refer to 9.3. Step 1 to 4 in reverse order to reassemble the panels. Ensure the proper knockouts are removed for drainage and electrical connections.

NOTE: For Horizontal installation an auxiliary drain pan must be installed.



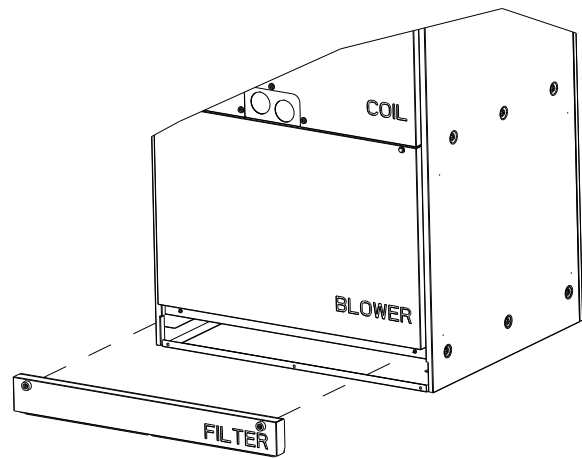
Horizontal Right
Fan assembly rotation not required

9.3. Horizontal left installations

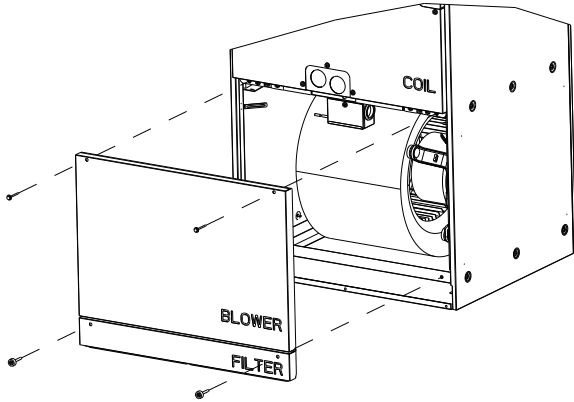
For horizontal left installation the drain pan will need to be moved to the opposite side of the coil. This can be done by moving the two brackets and drain pan to the left of the coil. This way, the condensate that formed on the coil will fall in the drain pan. Also, the appropriate knockouts for the drains will need to be removed once the drain pan is in its correct position.

In addition to relocating the side drain pan, the fan assembly will also need to be removed rotated 180° and reinstalled. The motor has to be closest to the ground. The two clear plastic tubes included in the accessory bag will also need to be attached to the top drain pan. See instructions below.

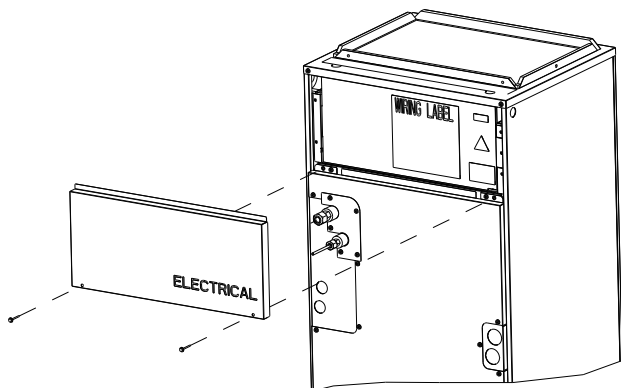
Directions for rotating fan for Horizontal Left Installation:



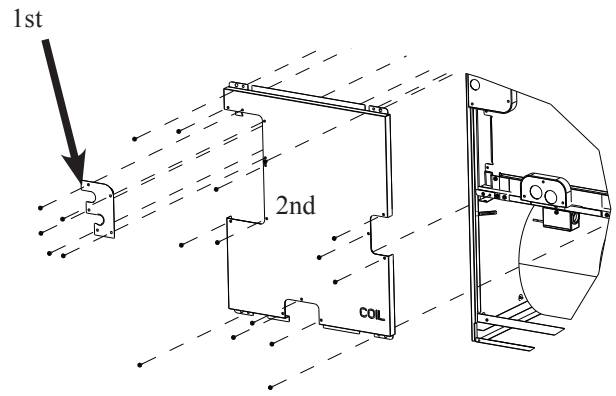
Step. 1 Remove the panel marked "FILTER".



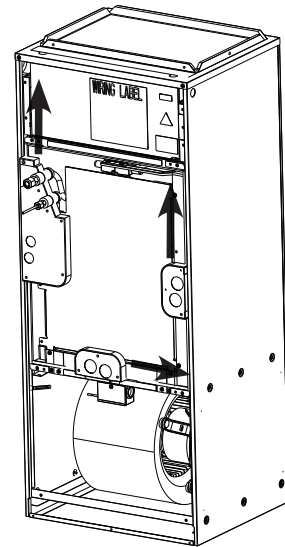
Step. 2 Remove the panel marked "BLOWER".



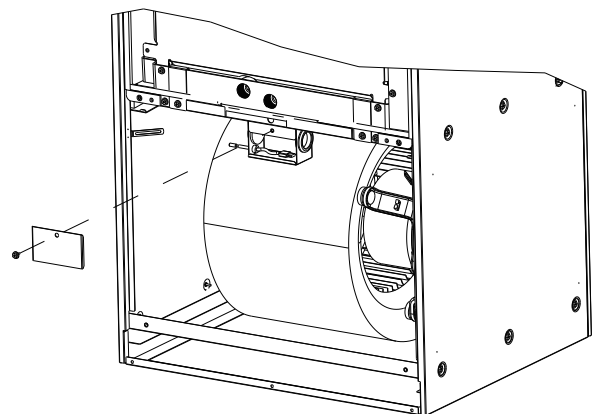
Step. 3 Remove the panel marked "ELECTRICAL"



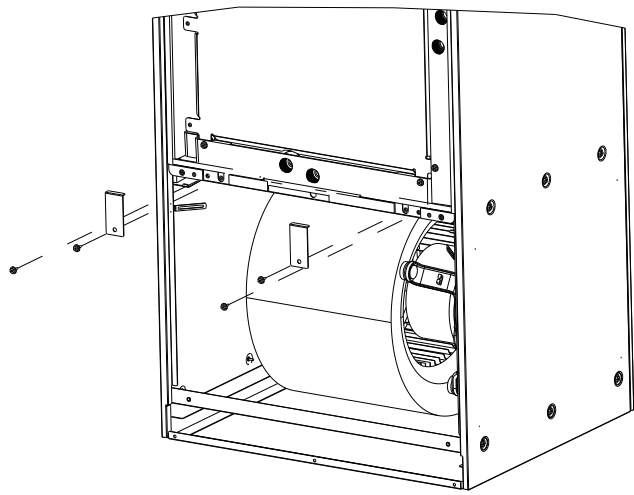
Step. 4a Remove the screws securing the (3) panels to the COIL panel shown in the image above. Remove the "1st" panel and "2nd" panel marked "COIL".



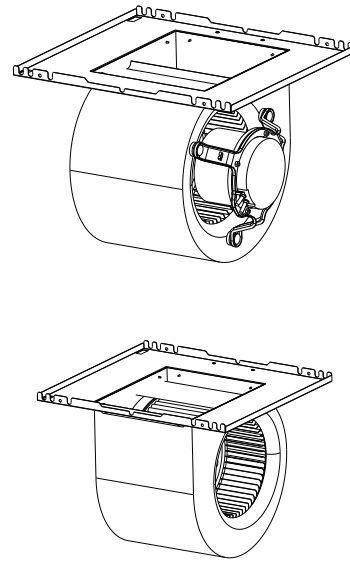
Step. 4b Next, remove the smaller panels covering the drain holes and refrigerant lines by first sliding in the direction indicated above.



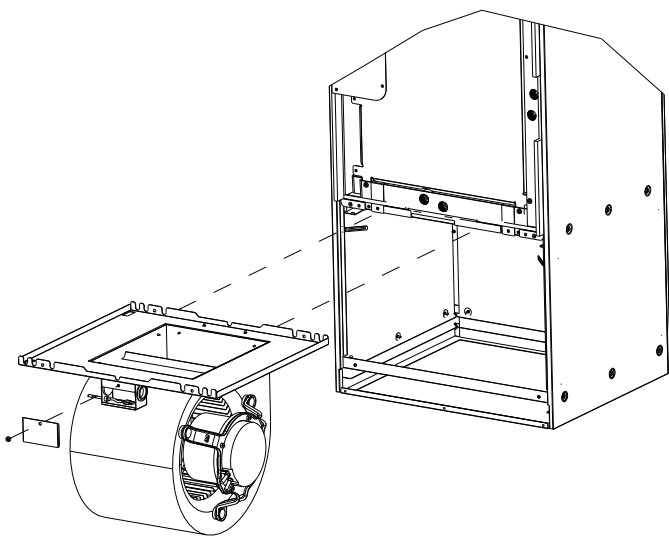
Step. 5 Remove the electrical enclosure cover mounted on the fan assembly. Disconnect the motor connector along with the connector for the return air thermistor. Remove all of the harnesses from the electrical enclosure leaving only the return air thermistor attached to the electrical enclosure.



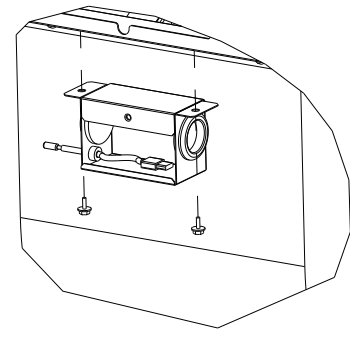
Step. 6 Remove the (4) screws indicated in the image along with the brackets that secure the coil.



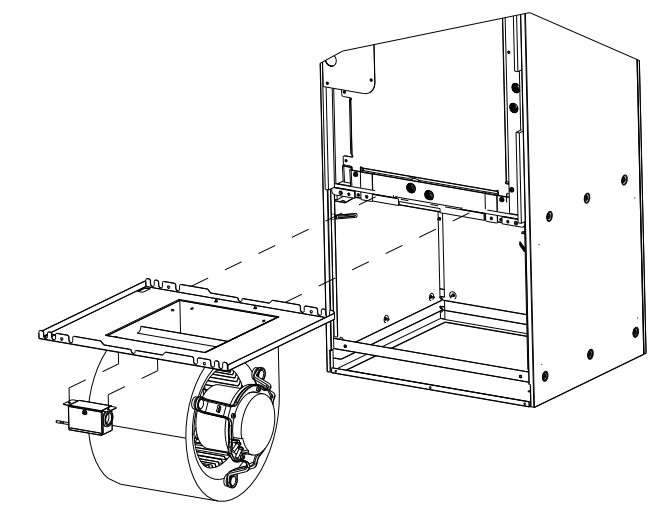
Step. 9 Rotate the blower assembly 180°. The motor should now be on the opposite side.



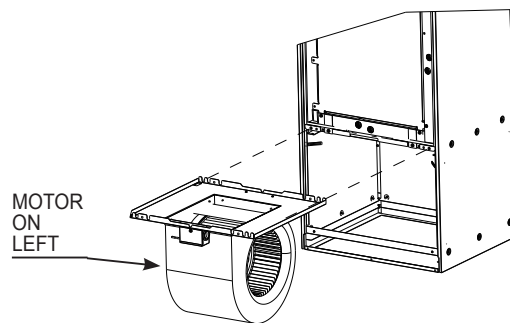
Step. 7 Slide the entire fan assembly out from the cabinet.



Step. 10 Reinstall the enclosure for the return air temperature sensor on the blower assembly on the opposite side from its original location.

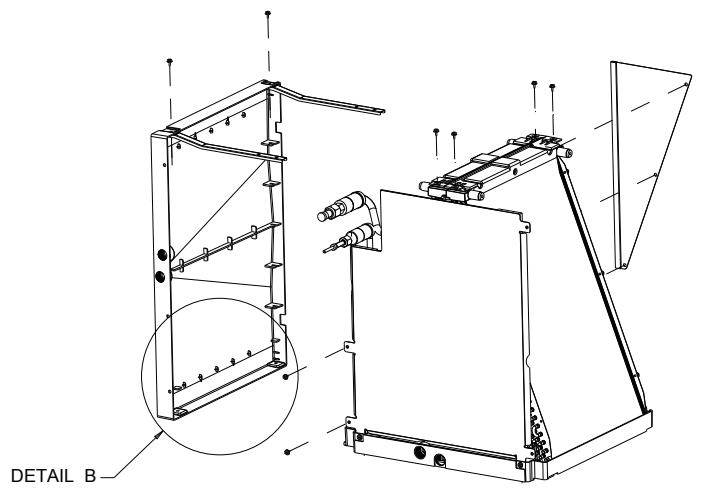
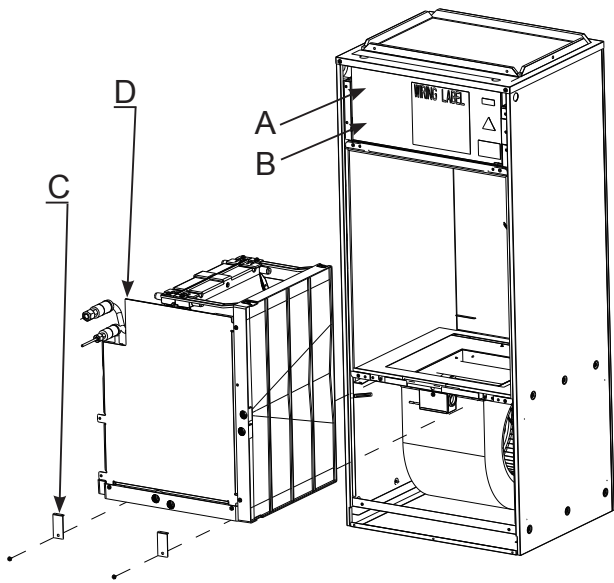


Step. 8 Remove the electrical enclosure from the fan assembly.



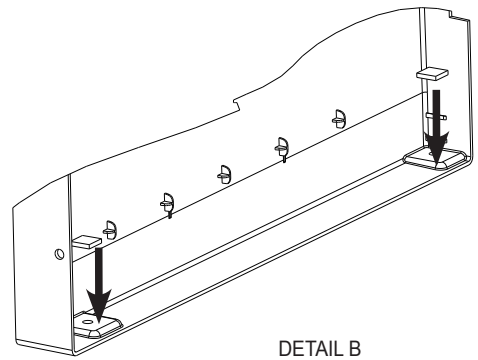
Step. 11 Reinsert the blower assembly with the motor now on the left into the air handler cabinet and reuse the (2) screws that secured the fan assembly in position. Reroute the (2) connectors for the motor back into the enclosure and reconnect.

NOTE: The wiring harness might have to be removed from the plastic retainers mounted to the motor bracket in order to have sufficient length to reach the electrical enclosure mounted to the fan assembly. Ensure wiring harness is secure so it cannot be pulled into the fan. Reroute the return air thermistor connector back into the electrical enclosure and reconnect.

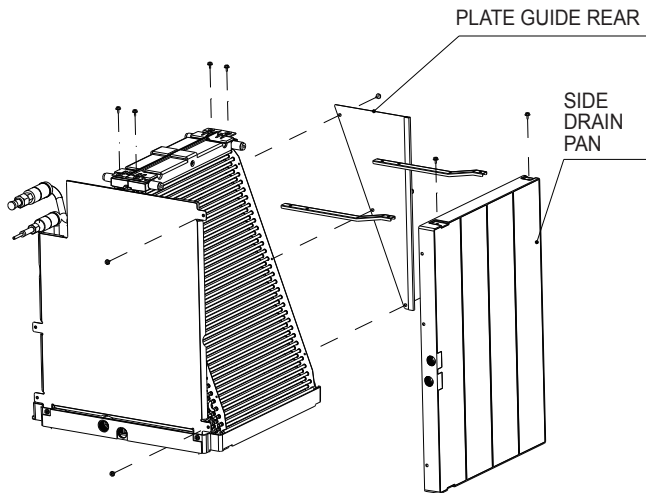


Step.12

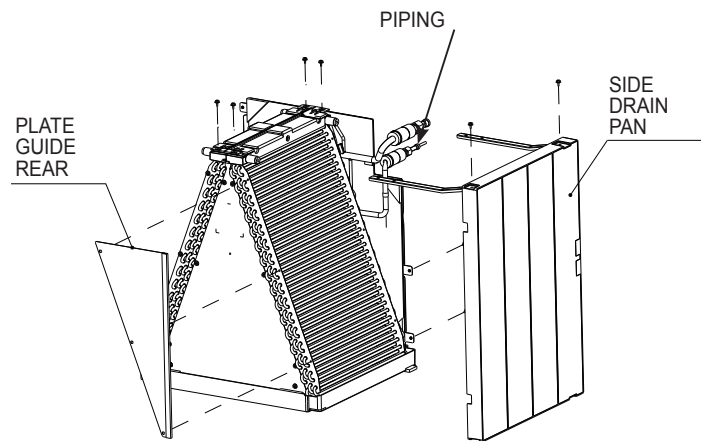
- A. Remove the Control box cover.
- B. Unplug the Thermistor (CN44) from the control board and route the harness from control box area out through the rubber grommet.
- C. Remove the brackets which secure the coil assembly if not already done.
- D. Slide the coil assembly out of the air handler cabinet.



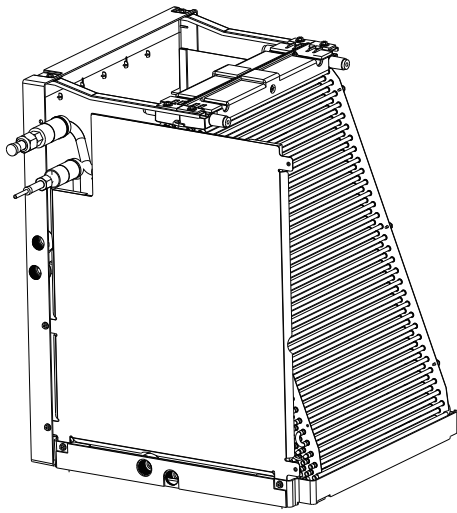
Step.14a Install the (2) drain pan seals included in the accessory bag as shown above. These seals will cover the unused holes in the side drain pan to prevent leaks.



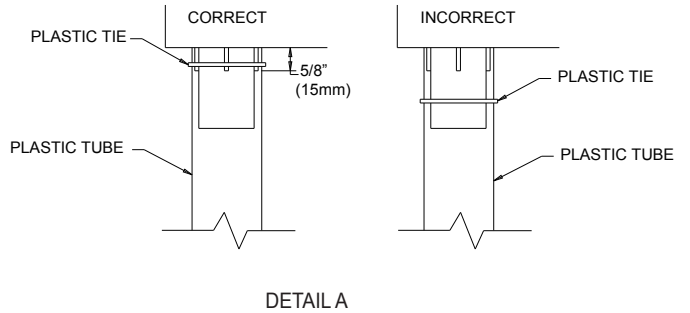
Step.13 Remove the Plate Guide Rear (3 screws) and Side Drain Pan (4 screws) along with supporting brackets (4 screws) from the coil assembly.



Step.14b Reinstall the brackets to the opposite side of the Side Drain Pan. The Side Drain Pan will be reinstalled on the opposite side of the Coil Assembly. Reattach the Plate Guide Rear on the opposite side of the coil assembly.

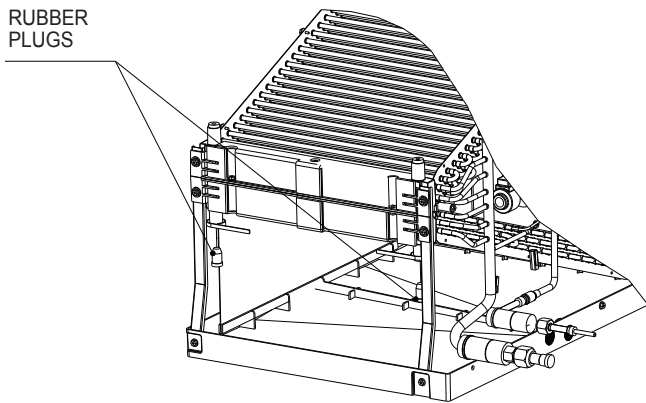


Completed Step 14b View
Horizontal Left Coil Assembly

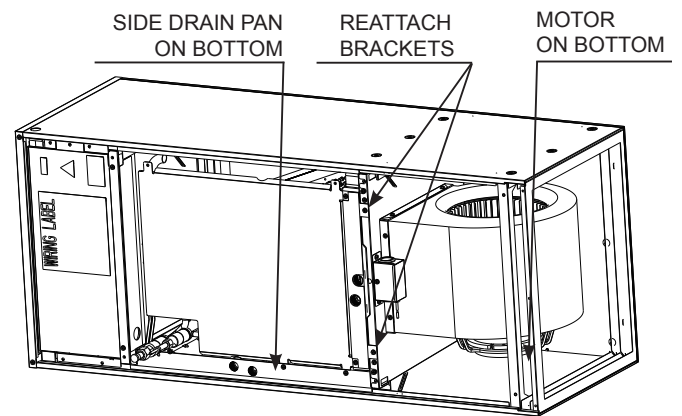


Model	Tube Length
PVA-A30	6.9 in. (175 mm)
PVA-A36, 42	*8.9 in. (225 mm)

*Tube length provided.

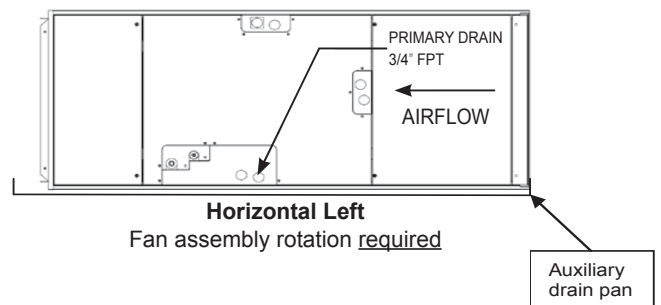
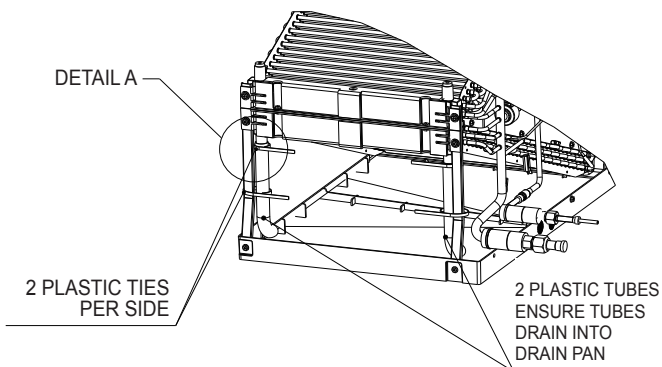


Step.14c Remove the rubber plugs indicated in the image above.



Step.15 Reinstall the coil assembly along with bracket(s) that secure(s) it. Failure to reinstall the brackets will result in capacity loss and condensation formation inside the cabinet. The wiring harness for the thermistor connector will also reroute into the electrical section and plug into **CN44**. Refer to 9.3. Step 1 to 4 in reverse order to reassemble the panels. Ensure the proper knockouts are removed for drainage and electrical connections.

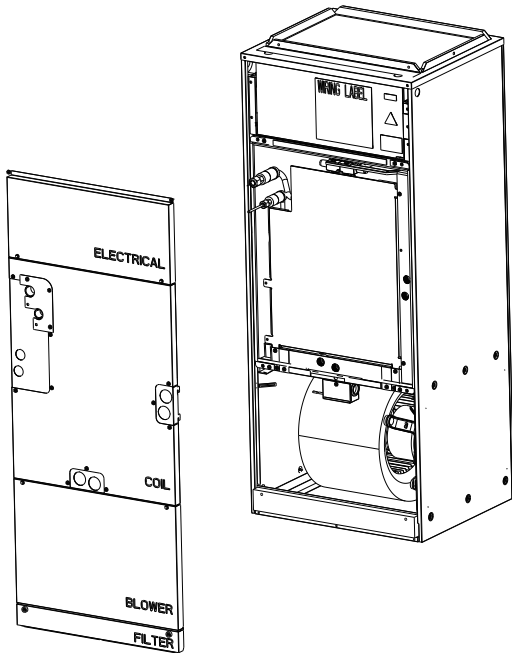
NOTE: For Horizontal installation an auxiliary drain pan must be installed.



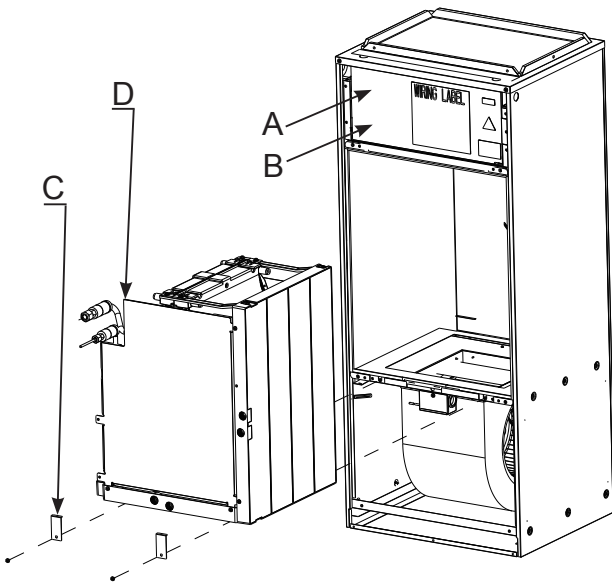
Step.14d Next, install the clear plastic tubes which are included in the accessory bag. Ensure the plastic tubes drain into the pan. Also, be sure the clear plastic tubes do not have any restriction. Cutting of the plastic tube is required, please refer to the table for length. Finally, secure the clear plastic tubes to the top drain pan per Detail A. Then to the metal brackets supporting the coil to the top drain pan with the provided plastic ties as shown.

9.4. Downflow installations

Downflow installation requires various changes to the air handler from its original configuration. There are **NO** additional kits or parts required in order to convert the Air Handler to the downflow configuration.

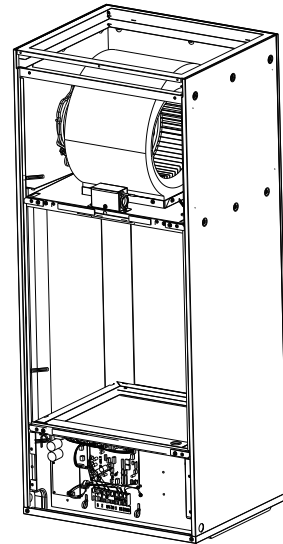


Step. 1 Please refer to 9.3. Steps 1 to 4 for removing the panels which cover the Electrical, Coil Assembly, Blower and Filter.

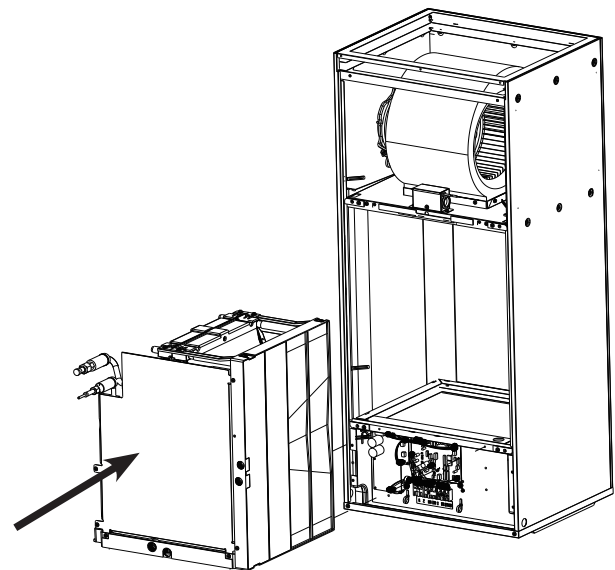


Step.2

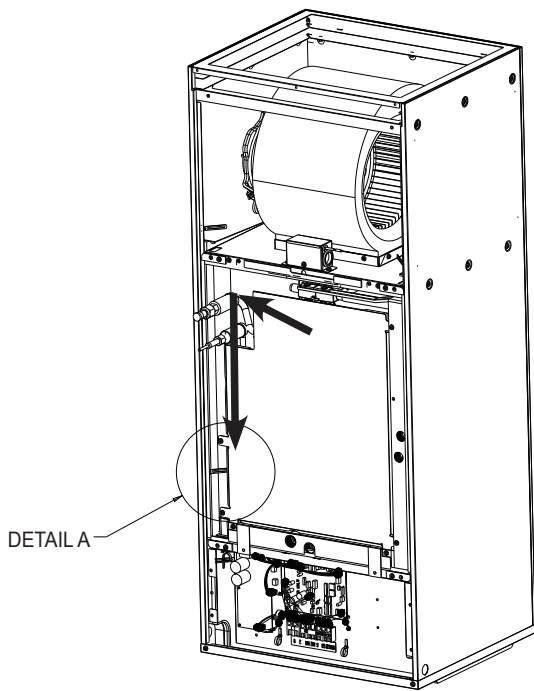
- A. Remove the Control box cover.
- B. Unplug the Thermistor (CN44) from the control board and route the harness from control box area out through the rubber grommet.
- C. Remove the brackets which secure the coil assembly if not already done.
- D. Slide the coil assembly out of the air handler cabinet.



Step. 3 Rotate the cabinet so the Fan assembly is on top.

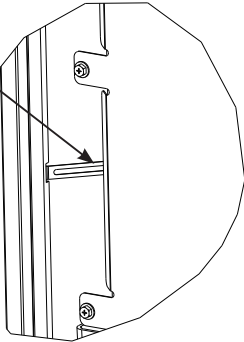


Step. 4a Reinsert the coil assembly back into the cabinet. The bracket(s) are not required to be reattached.

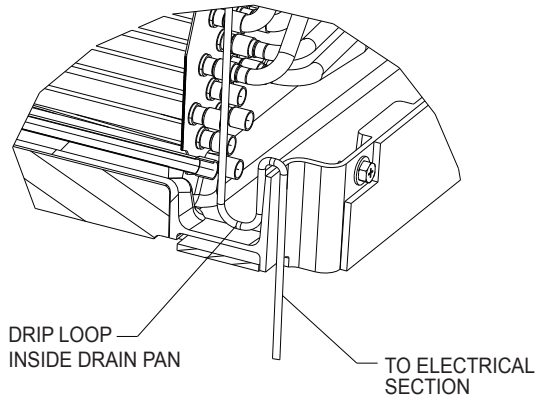
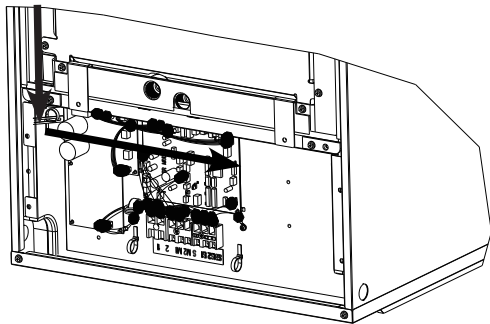


DETAIL A

METAL TAB
BEND AROUND
THE WIRE
HARNESS



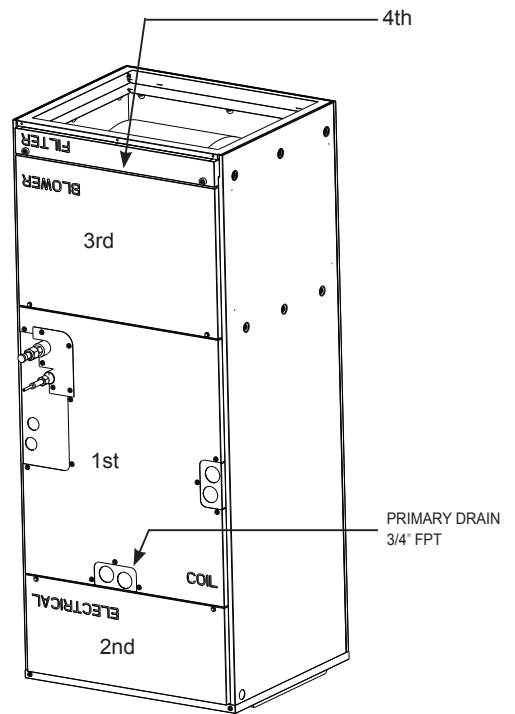
DETAIL A



DRIP LOOP
INSIDE DRAIN PAN

TO ELECTRICAL
SECTION

Step. 4c In order to prevent water from running down the Thermistor wires into the electrical area, a Drip Loop MUST be installed to direct water into the drain pan.



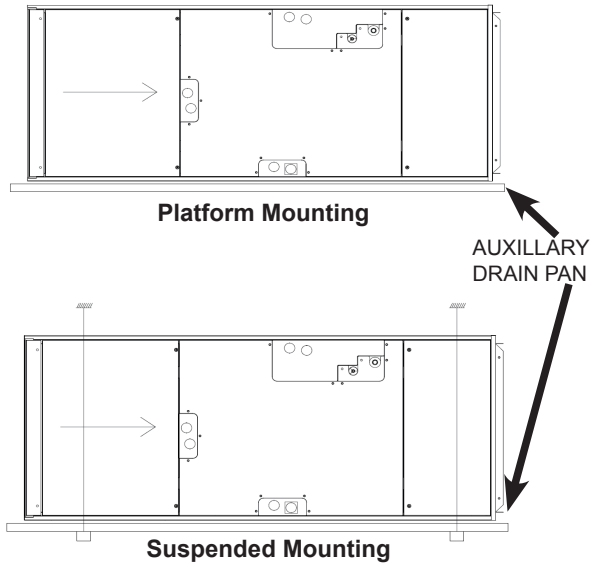
PRIMARY DRAIN
3/4\"/>

Step. 5 Reinstall the panels over the drains and refrigerant lines. Next, install the panels which cover the Coil (1st), Electrical (2nd), Blower (3rd) and Filter (4th). **NOTE:** The panel which covers the Coil Assembly will be installed upright as the original vertical orientation from the factory, while the other panels' text will read upside down.

Step. 4b Cut the plastic ties that are securing the extra wiring for the Thermistor (CN44). Route the thermistor wires into the Electrical section of the air handler on the left side of the coil.
-Use the metal tab in Detail A to secure the wires
-The notch in the drain pan allows the wires to pass the drain pan, go through the sheetmetal shelf which now supports the Coil Assembly and enter the Electrical section of the Air Handler. Reconnect the Thermistor (CN44) to the control board.

Horizontal Mounting

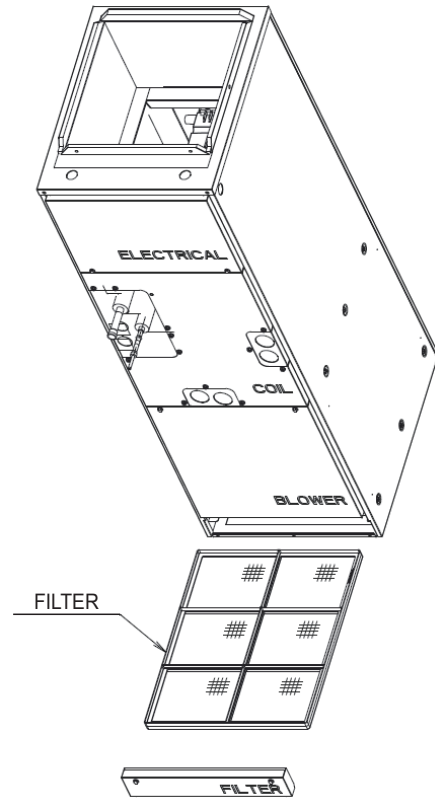
The unit can be installed on a platform or suspended from rails as shown below. The rails must run the length of the unit and be of sufficient strength to support the weight of the unit and connected ductwork. Vibration isolation is recommended for horizontal installations. Some jurisdictions may require an auxiliary drain pan be mounted under the unit. Always follow local or national code requirements.



10. Air filter

A washable (reusable) air filter is provided with the air handler unit. The filter can be installed once the unit has been removed from its packaging. It is recommended the air filter be cleaned once per month.

The pressure drop is to be determined by the installing contractor based on the overall static pressure performance of the system including supply and return ductwork sizing. The factory static pressure performance is 0.50" esp. A field selectable 0.30 and 0.80 esp. is available. See instructions for changing to 0.30 or 0.80 esp in the electrical section (13.4.).



11. Refrigerant piping work

For constraints on piping length and allowable difference of elevation, refer to the design section of the engineering manual.

The method of pipe connection on the air handler is flare connection.

Provide proper bracing for refrigerant piping so no load is imparted upon the connections at the air handler.

Warning:

When installing and moving the unit, do not charge it with refrigerant other than the refrigerant specified on the unit. Mixing of a different refrigerant, air, etc. may cause the refrigerant cycle to malfunction and result in severe damage.

Caution:

Use refrigerant piping made of C1220 (Cu-DHP) phosphorous deoxidized copper as specified in ASTM B280 Standard for copper and copper alloy seamless pipes and tubes. In addition, be sure that the inner and outer surfaces of the pipes are clean and free of hazardous sulphur, oxides, dust/dirt, shaving particles, oils, moisture, or any other contaminant. Never use existing refrigerant piping.

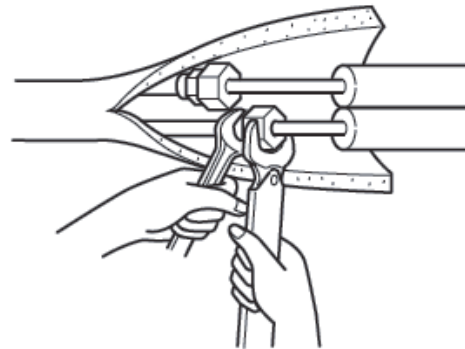
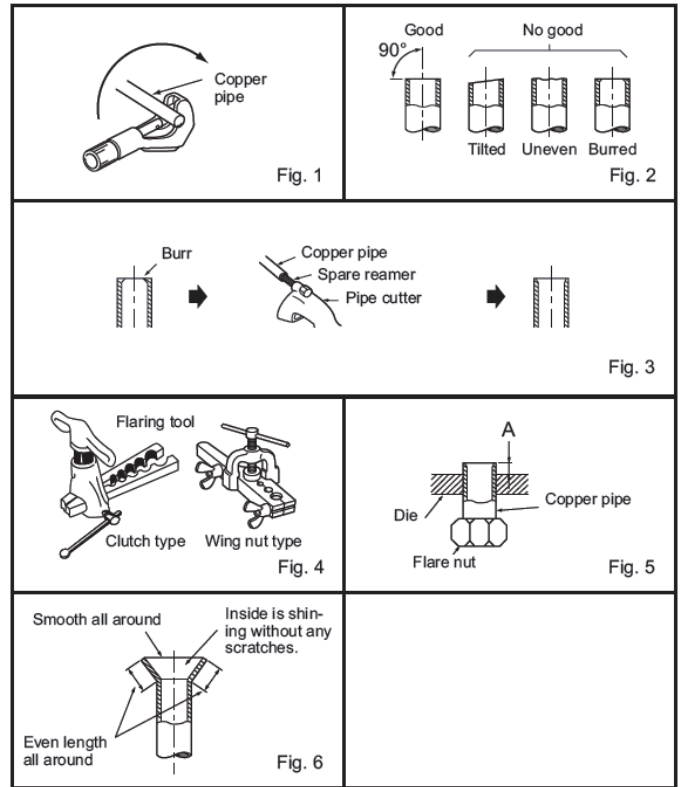
Caution: COIL UNDER PRESSURE

Always wear safety glasses when working around pressurized devices.
The air handlers are shipped with a nitrogen holding charge in the coil. Carefully follow these instructions when releasing the charge.

Carefully remove the flare nut off the end of the pipe to release any gas.

Both refrigerant lines need to be insulated all the way up to the cabinet. Make sure the openings in the cabinet around the refrigerant lines are sealed. 3/8 in thick insulation is the minimum recommended thickness. Based on ambient conditions, local codes and line length, thicker insulation may be desired.

Do not put any oil on the threaded portion of the flare nuts. This may cause the flare nut to loosen and leak refrigerant.



Pipe diameter inch (mm)	Nut (mm)	A inch (mm)	Tightening torque	
			N•m	lb•ft (kgf•cm)
1/4 (6.35)	(17)	0 to 0.02 (0 to 0.5)	13.7 to 17.7	10 to 13 (140 to 180)
3/8 (9.52)	(22)		34.3 to 41.2	25 to 30 (350 to 420)
1/2 (12.7)	(26)		49.0 to 56.4	36 to 42 (500 to 575)
5/8 (15.88)	(29)		73.5 to 78.4	54 to 58 (750 to 800)

- Never use existing refrigerant piping.
- The large amount of chlorine in conventional refrigerant and refrigerant oil in the existing piping will cause the new refrigerator to deteriorate.
- Store the piping to be used during the installation indoors and keep both ends of the piping sealed until just before brazing.
- If dust, dirt or water gets into the refrigerant cycle, the oil will deteriorate and the compressor may fail.
- Use ester oil, ether oil or alkylbenzene (small amount) as the refrigerant oil to coat flares and flange connections before connecting.
- The refrigerant used in the unit is highly hydroscopic and mixes with water which will degrade the refrigerant oil.

11.1. Insulation

To avoid dew drops, provide sufficient anti-sweating insulation to the refrigerant and drain pipes. When using commercially available refrigerant pipes, be sure to cover with available insulating material with heat-resistant temperature of more than 100 °C [212 °F] and thickness given below, on both liquid and gas pipes. Insulate all indoor pipes with polyethylene insulation with a minimum density of 0.03 and a thickness as specified in the table below.

Pipe size	Insulation thickness
6.4 mm to 25.4 mm [1/4 to 1 in.]	>10 mm [7/16 in.]
28.6 mm to 38.1 mm [1-1/8 to 1-1/2 in.]	>15 mm [5/8 in.]

-If the unit is used on the highest story of a building and under high temperature and high humidity, it is necessary to use thicker insulation than specified in the table above
 -If there are customer's specifications, please follow them.

11.2. Piping size

Model		PVA-AA4
		30-36-42
Refrigerant pipe	Liquid pipe	9.52 mm [3/8]
	Gas pipe	15.88 mm [5/8]
Drain Pipe		O.D. 32 mm [1-1/4]

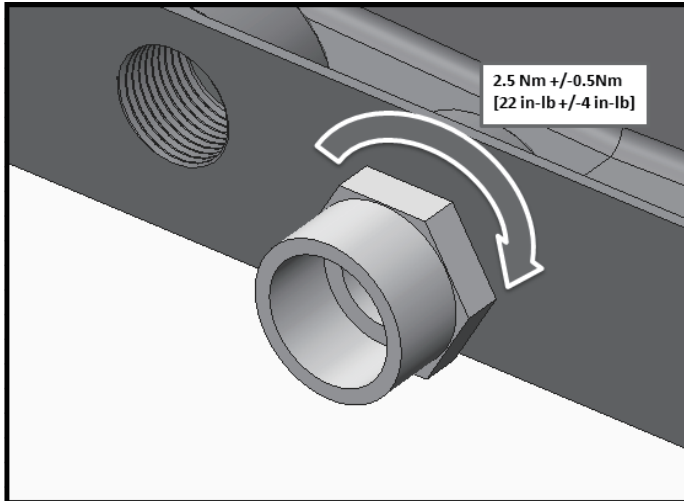
12. Drain connections

IMPORTANT!

Over-tightening the drain connections could result in drain pan breakage and failure.

Please follow the following technique for attaching the drain pan adapter:

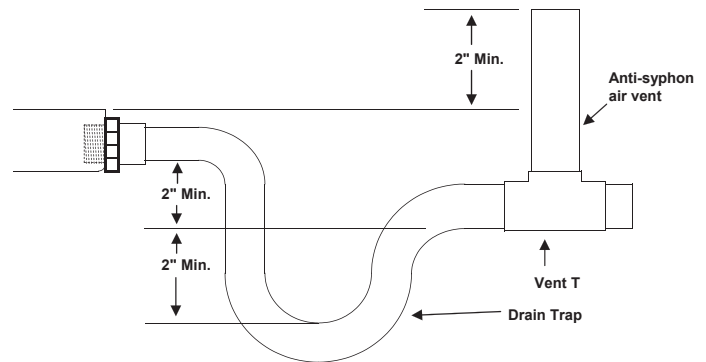
1. Apply (2) wraps overlapping of sealing tape
2. Torque the drain pan adapter to 2.5 Nm +/-0.5 [22 in-lb +/-4 in-lb]



The air handler contains 3/4" FPT drain connections. When the unit is used in the vertical position, there is one set. When the unit is mounted horizontally there is one set. Each set contains a primary drain and a secondary or auxiliary drain. The primary drain is the one that is lowest (even with the bottom of the pan). The secondary drain is at the higher level. They are labeled on the dimensional drawings above.

-These units operate with a positive pressure at the drain connections and **although a P-trap is not required, it is recommended to prevent capacity loss. Always follow local codes and standards**

- The trap needs to be installed as close to the unit as possible. Make sure the top of the trap is below the connection to the drain pan to allow complete drainage of the pan.
- Slope the drain line a minimum of 1/4" per foot.
- Do not reduce the pipe size from 3/4", this could cause premature blockage in the lines
- Do not braze near the plastic drain piping



Note: Horizontal runs must also have an anti-siphon air vent (standpipe) install ahead of the horizontal run to eliminate air trapping. Horizontal drain lines must be pitched a minimum 1/4" per foot.

Route the drain lines outside or to an appropriate drain. Drain lines must be installed so they do not block service access to the front of the unit. 24" clearance in the front is for routine maintenance or service.

Note: Check local codes before connecting the drain line to an existing drainage system.

Insulate the drain lines where sweating could cause water damage. Upon completion of installation, it is the responsibility of the installer to ensure the drain pan(s) captures all condensate, and all condensate is draining properly and not getting into the ductwork/ system.

Vertical Mounting:

When mounted vertically, the air handler's primary drain connection is located in the center of the unit. The slightly higher drain to the left is the secondary drain.

Attach the drain connector and tighten **TO THE PROPER TORQUE SHOWN PREVIOUSLY** with sealant and install the drain line.

IMPORTANT!

Over-tightening the drain connection could result in drain pan breakage and failure.

The secondary connection should be connected to a separate drainage system. Run the secondary drain so the occupants will be able to notice water flowing through the secondary drain indicating a blockage in the primary drain. Optional use for the secondary is a primary drain line overflow switch (provided by others). This device will shut the cooling operation unit down in the event of a primary drain line blockage. See wiring section for connecting this device.

Horizontal (Left or Right):

If the unit is installed horizontally, remove the knockout in the front panel to gain access to the side drain pan connections. Attach the connector **as described above** and route drain line. Any vertical drain pan openings must be covered to eliminate air loss which will decrease the capacity of the unit.

IMPORTANT!

Over-tightening the drain connection could result in drain pan breakage and failure.

The secondary connection should be connected to a separate drainage system. Run the secondary drain so the occupants will be able to notice water flowing through the secondary drain indicating a blockage in the primary drain. Optional use for the secondary is a primary drain line overflow switch (provided by others). This device will shut the cooling operation unit down in the event of a primary drain line blockage. See wiring section for connecting this device.

13. Electrical wiring

⚠ Warning:

Electrical work should be done by a qualified electrical contractor in accordance with “Engineering Standards for Electrical Installation” and supplied installation manuals. If the power circuit lacks capacity or has an installation failure, it may cause a risk of electrical shock or fire.

- Be sure to follow local and national code requirements when wiring these units
- Install the unit in a manner to prevent that any of the control circuit cables (remote controller, transmission cables) are brought in direct contact with the power cable outside the unit.
- Ensure that there is no tension on any wire connections
- Some cables (power, remote controller or transmission) above the ceiling may become damage by accident or by animals. Use conduit as much as possible to prevent this.
- Never connect the power cable to leads for the transmission cables. The cables will be broken.
- Be sure to connect control cables to the indoor unit, remote controller and the outdoor unit.
- Perform wiring in compliance with the safety regulations detailed in UL 1995.
- Be sure to install an earth leakage breaker to the power.
- Install the unit to prevent that any of the control circuit cables (remote controller, transmission cables) is brought in direct contact with the power cable outside the unit.
- Ensure that there is no slack on all wire connections.
- Some cables (power, remote controller, transmission cables) above the ceiling may be bitten by mouses. Use as many metal pipes as possible to insert the cables into them for protection.

⚠ Caution:

Be sure to ground the unit. Do not connect the grounding cable to any gas pipe, water pipe, lightning rod, or telephone earth cable. Incomplete grounding may cause a risk of electrical shock.

If the supply cord is damaged, it must be replaced by the manufacturer, its service agent or similarly qualified persons in order to avoid a hazard.

External I/O specifications

⚠ Caution:

Wiring should be covered by insulation tube with supplementary insulation.

Use relays or switches with IEC or equivalent standard. The electric strength between accessible parts and control circuit should have 2750 V or more.

Wiring

Electrical wiring to the air handler will come from the outdoor unit. Please refer to the installation instructions for the outdoor unit.

⚠ Caution:

DO NOT POWER THE ELECTRIC HEAT FROM THE OUTDOOR UNIT. FOLLOW THE APPROPRIATE WIRING SCHEMATIC FOUND IN THE ELECTRIC HEATER INSTRUCTIONS.

13.1. Remote controllers

Connecting remote controller, indoor and outdoor transmission cables

Connect the "1" and "2" on the indoor unit TB15 to a remote controller. (Non-polarized 2-wire)

Note:

Ensure that the wiring is not pinched when fitting the terminal box cover. Pinching the wiring may cut it.

⚠ Caution:

Install wiring so that it is not tight and under tension. Wiring under tension may break or overheat and burn.

Fix power source wiring to control box by using buffer bushing or tensile force. (PG connection or the like.) Connect transmission wiring to transmission terminal block through the knockout hole of control box using ordinary bushing.

⚠ Caution:

Do not use anything other than the correct capacity breaker and fuse. Using fuse, wire or copper wire with too large capacity may cause a risk of malfunction or fire.

After wiring is complete, make sure again that there is no tension on the connections, and attach the cover onto the control box in the reverse order removal. Also, seal any openings created from wiring into the air handler. This will prevent air leakage.

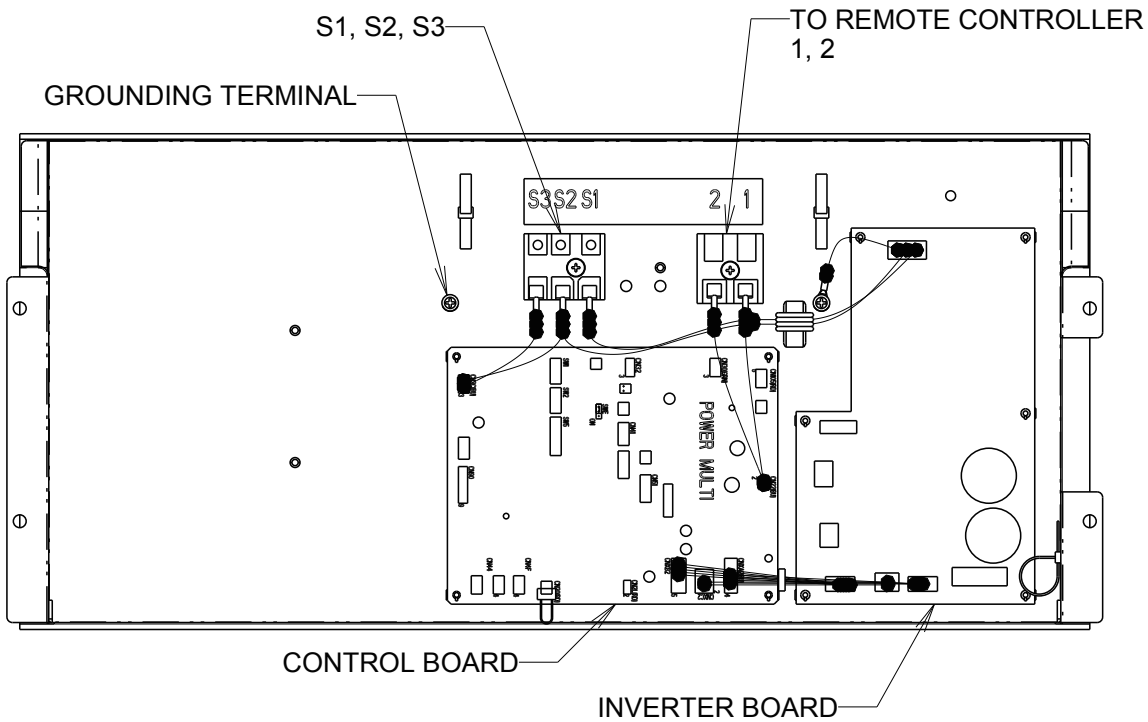
⚠ Caution:

Wire the power supply so that no tension is imparted. Otherwise disconnection, heating or fire may result.

Important:

Attach shielding ground on the outdoor unit's ground terminal.

If the remote controller cable exceeds 10 m [32 ft.], use a 1.25 mm² [AWG16] diameter cable over the exceeded portion, and add that exceeded position to within 200 m [656 ft.].



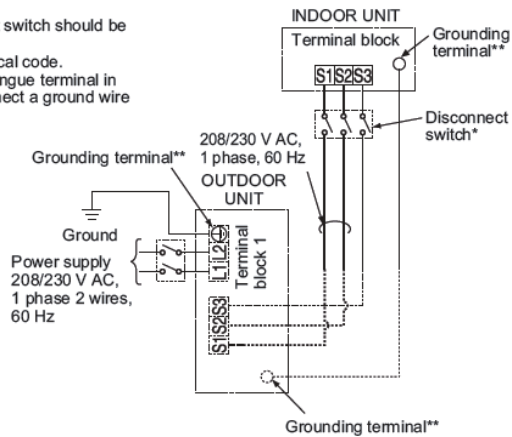
13.2. Connecting line voltage

Make sure power supply is off.

Remark:

* A disconnect switch should be required. Check the local code.

** Use a ring tongue terminal in order to connect a ground wire to terminal.



NOTE: If the air handler will be installed with electric heat package do not power the electric heat from the outdoor unit.

All wiring must conform to National and Local codes

1. Remove the desire knockout on the air handler.
2. Attach a conduit pipe connector to the air handler and route the wiring as shown in the above diagram. Ensure conduit connection hole is air tight and add a sealant if necessary.
3. Firmly tighten all of the terminal screws. After tightening, verify that the wires are tightly fastened.

Electrical Characteristics

Symbols : MCA : Max. Circuit Amps (= 1.25 × FLA) FLA : Full Load Amps
IFM : Indoor Fan Motor Output : Fan motor rated output

Model	Indoor Unit					
	Hz	Volts	Voltage Range	MCA (A)	Output (kW)	FLA (A)
A30	60	208/230V	188 to 253V	4.13/4.13	0.244	3.3
A36				5.5/5.5	0.430	4.4
A42				5.63/5.63	0.430	4.5

Function Table

Mode	Settings	Mode (function) No.	Setting no.	Initial setting	Check
		Wired remote controller (RF thermostat)			
Power failure auto restart	Not available	01 (101)	1	1	
	Available		2		
Indoor temperature detecting	Indoor unit operating average	02 (-)	1	1	
	Set by indoor unit's remote controller		2		
	Remote controller's internal sensor		3		
LOSSNAY connectivity	Not Supported	03 (103)	1	1	
	Supported (indoor unit is not equipped with outdoor air intake)		2		
	Supported (indoor unit is equipped with outdoor air intake)		3		
Power voltage	240V (230V)	04 (104)	1	1	
	220V (208V)		2		
Auto mode	Cycle auto enable	05 (105)	1	1	
	Cycle auto disable		2		
Filter sign	100 Hr	07 (107)	1	3	
	2500 Hr		2		
	"No filter sign indicator"		3		
Humidifier control	Heat operation & Thermo ON	16 (116)	1	1	
	Heat operation		2		
Heater control	Enable heater basic control	23 (123)	1	2	
	Enable heater comfort and economy modes*1		2		

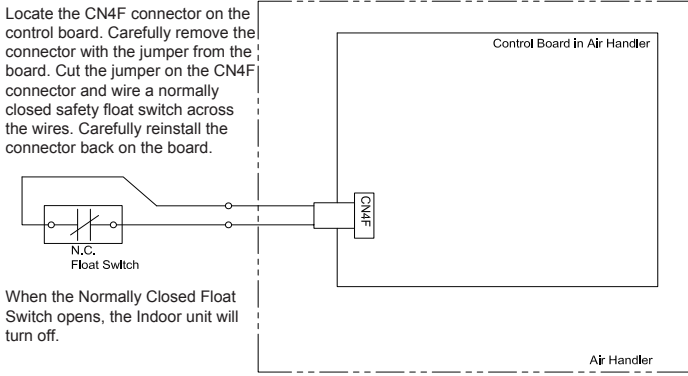
*1 While the heater is on, the fan will operate at high speed regardless of the fan setting on the remote controller.

When the heater is not used, set the setting number of the mode(function) number 23(123) to 1.

- Please see section 13.4. for external static pressure settings.

13.3. Condensate overflow safety switch connection (CN4F)

The circuit board is equipped with a connection to attach a condensate safety float switch. The switch should be a normally closed low voltage rated switch. The switch should be installed in a location that it can sense a drain blockage causing a rise in water level. This resulting rise in level will cause it to open. The switch location is to be determined by the installing contractor. When the switch opens, it will cause the LEV to close, stopping the cooling operation. The fan will continue to run and a fault code will be shown at the controller. Correcting the problem and closing the switch will be required before normal operation can resume. See installation below:



13.4. Changing blower external static pressure

The air handler is equipped with an adjustable static pressure setting. The available settings are shown in the table below.

Model	Available ESP [in. WG]		
PVA-A30	0.30	0.50	0.80
PVA-A36	0.30	0.50	0.80
PVA-A42	0.30	0.50	0.80*

*PVA-A42 in Downflow External Static pressure: 0.70

The air handler will be set to 0.50 ESP from the factory.

The air handler's static pressure can be changed through the mode/function settings in the controller. Please refer to the installation manual for the controller on how to change this option. Depending on the controller used, the mode/function will be either 08 for mode (PAR-31 & Simple MA) or 108 for function (MHK1). Please notice there are different settings when installing the air handler in the downflow position.

Vertical, Horizontal Left, Horizontal Right External Static Pressure Setting

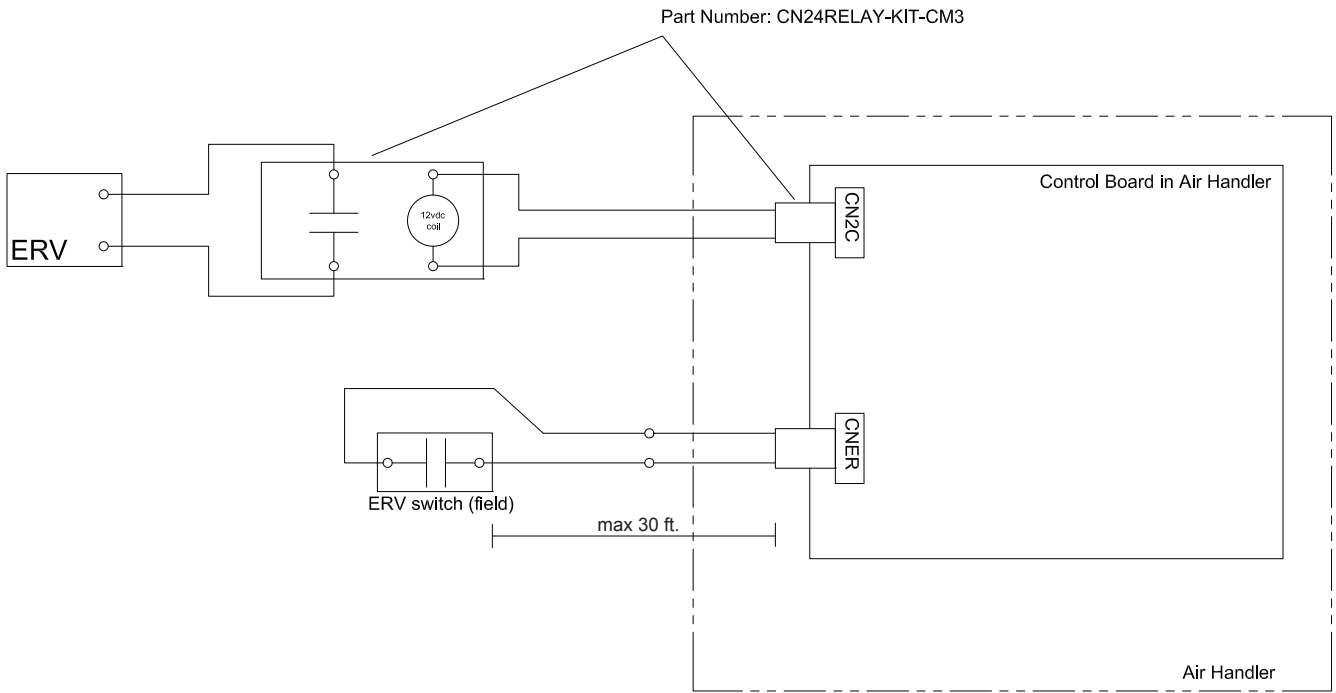
External Static Pressure	Setting No. of Mode/Function 08/108	Setting No. of Mode/Function 10/110 (Factory Setting)
0.3 in. WG [75Pa]	1	1
0.5 in. WG [125Pa] (Factory Setting)	2	1
0.8 in. WG [200Pa]	3	1

Downflow External Static Pressure Setting

External Static Pressure	Setting No. of Mode/Function 08/108	Setting No. of Mode/Function 10/110
0.3 in. WG [75Pa]	1	2
0.5 in. WG [125Pa] (Factory Setting)	2	2
0.8 in. WG [200Pa]*	3	2

*PVA-A42 in Downflow External Static pressure: 0.70

13.5. ERV (energy recovery ventilation)



ERV Control

Sequence of operation:

1. The ERV demand switch closes CNER
2. 12VDC is provided to CN2C to turn on ERV
3. If the unit goes into defrost, CN2C stops 12VDC output

ERV Switch:

Non-Voltage a-contact input

Contact rating voltage $\geq 15\text{VDC}$

Contact rating current $\geq 0.1\text{ A}$

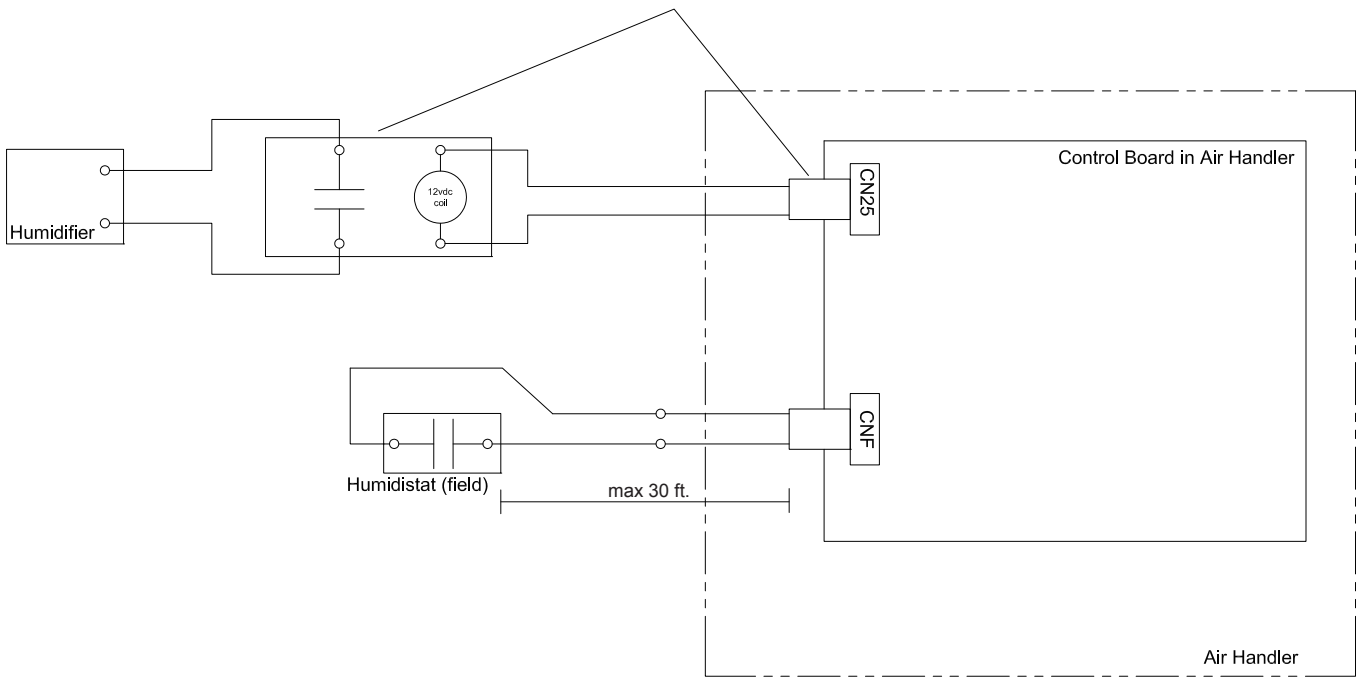
Minimum applicable load $\leq 1\text{mA}$ at DC

ERV output CNER input	Condition	Fan speed	CN2C output (=Fan output)
OFF	Cool/Heat/Fan operation	RC setting	ON
	Defrost	STOP	OFF
	STOP	STOP	OFF
ON	Cool/Heat/Fan operation	RC setting	ON
	Defrost	STOP	OFF
	STOP	Low	ON

RC: Remote controller

13.6. Humidifier

Part Number: CN24RELAY-KIT-CM3



Humidifier Control

Sequence of operation:

1. The humidistat closes CNF
2. The fan starts on high
3. CN25 provides 12VDC to turn on the Humidifier (do not exceed 1 Watt draw per relay)
4. When the Humidistat opens, the fan continues to run for 30 seconds to clear the ductwork of moist air
5. If defrost starts during humidifier operation CN25 de-energizes

Humidistat:

Non-Voltage a-contact input

Contact rating voltage $\geq 15\text{VDC}$

Contact Rating Current $\geq 0.1\text{ A}$

Minimum Applicable Load $\leq 1\text{mA at DC}$

Mode No.	Humidistat Output	Condition (No Defrost/No Error)	CN25 Output	Fan Speed
16	CNF Input			
1*	OFF	Heat operation & Thermo OFF	OFF	RC setting
		Heat operation & Thermo ON		
	ON	Heat operation & Thermo OFF	OFF	RC setting
		Heat operation & Thermo ON	ON	High
2	OFF	Heat operation & Thermo OFF	OFF	RC setting
		Heat operation & Thermo ON		
	ON	Heat operation & Thermo OFF	ON	High
		Heat operation & Thermo ON		
-	-	Except for heat operation	OFF	RC setting

RC: Remote controller

The fan continues to run for 30 seconds after the humidifier stops.

*Factory Setting

14. Test run

14.1. Before test run

After completing installation and the wiring and piping of the indoor and outdoor units, check for refrigerant leakage, looseness in the power supply or control wiring, wrong polarity, and no disconnection of one phase in the supply.

Use a 500-volt megohmmeter to check that the resistance between the power supply terminals and ground is at least 1.0 MΩ.

Do not carry out this test on the control wiring (low voltage circuit) terminals.

⚠ Warning:

Do not use the air conditioner if the insulation resistance is less than 1.0 MΩ.

After installation or after the power source to the unit has been cut for an extended period, the insulation resistance will drop below 1 MΩ due to refrigerant accumulating in the compressor. This is not a malfunction. Perform the following procedures.

1. Remove the wires from the compressor and measure the insulation resistance of the compressor.
2. If the insulation resistance is below 1 MΩ, the compressor is faulty or the resistance dropped due the accumulation of refrigerant in the compressor.
3. After connecting the wires to the compressor, the compressor will start to warm up after power is supplied. After supplying power for the times indicated below, measure the insulation resistance again.

- The insulation resistance drops due to accumulation of refrigerant in the compressor. The resistance will rise above 1 MΩ after the compressor is warmed up for two to three hours. (The time necessary to warm up the compressor varies according to atmospheric conditions and refrigerant accumulation.)
- To operate the compressor with refrigerant accumulated in the compressor, the compressor must be warmed up at least 12 hours to prevent breakdown.
- 4. If the insulation resistance rises above 1 MΩ, the compressor is not faulty.

⚠ Caution:

- **The compressor will not operate unless the power supply phase connection is correct.**
- **Turn on the power at least 12 hours before starting operation.**
 - Starting operation immediately after turning on the main power switch can result in severe damage to internal parts. Keep the power switch turned on during the operational season.

14.2. Test run

Refer to the installation manual that comes with each remote controller for details.

14.3. Self-check

Refer to the installation manual that comes with each remote controller for details.
RF thermostat is not established.

[Output pattern A] Errors detected by indoor unit

IR wireless remote controller	Wired remote controller RF thermostat	Symptom	Remark
Beeper sounds/OPERATION INDICATOR lamp flashes (Number of times)	Check code		
1	P1	Intake sensor error	
2	P2, P9	Pipe (Liquid or 2-phase pipe) sensor error	
3	E6, E7	Indoor/outdoor unit communication error	
4	P4	Drain sensor error	
5	P5	Drain pump error	
6	P6	Freezing/Overheating safeguard operation	
7	EE	Communication error between indoor and outdoor units	
8	P8	Pipe temperature error	
9	E4	Remote controller signal receiving error	
10	–	–	
11	–	–	
12	Fb	Indoor unit control system error (memory error, etc.)	
No sound	– –	No corresponding	

[Output pattern B] Errors detected by unit other than indoor unit (outdoor unit, etc.)

IR wireless remote controller	Wired remote controller RF thermostat	Symptom	Remark
Beeper sounds/OPERATION INDICATOR lamp flashes (Number of times)	Check code		
1	E9	Indoor/outdoor unit communication error (Transmitting error) (Outdoor unit)	
2	UP	Compressor overcurrent interruption	
3	U3, U4	Open/short of outdoor unit thermistors	
4	UF	Compressor overcurrent interruption (When compressor locked)	
5	U2	Abnormal high discharging temperature/49C worked/ insufficient refrigerant	
6	U1, Ud	Abnormal high pressure (63H worked)/ Overheating safeguard operation	
7	U5	Abnormal temperature of heat sink	
8	U8	Outdoor unit fan protection stop	
9	U6	Compressor overcurrent interruption/Abnormal of power module	
10	U7	Abnormality of super heat due to low discharge temperature	
11	U9, UH	Abnormality such as overvoltage or voltage shortage and abnormal and synchronous signal to main circuit/Current sensor error	
12	–	–	
13	–	–	
14	Others	Other errors (Refer to the technical manual for the outdoor unit.)	

*1 If the beeper does not sound again after the initial two beeps to confirm the self-check start signal was received and the OPERATION INDICATOR lamp does not come on, there are no error records.

*2 If the beeper sounds three times continuously “beep, beep, beep (0.4 + 0.4 + 0.4 sec.)” after the initial two beeps to confirm the self-check start signal was received, the specified refrigerant address is incorrect.

- On IR wireless remote controller
The continuous buzzer sounds from receiving section of indoor unit.
Blink of operation lamp
- On wired remote controller
Check code displayed on the LCD.

• If the unit cannot be operated properly after the above test run has been performed, refer to the following table to remove the cause.

Symptom		Cause	
Wired remote controller	LED 1, 2 (PCB in outdoor unit)		
PLEASE WAIT	For about 2 minutes following power-on	After LED 1, 2 are lighted, LED 2 is turned off, then only LED 1 is lighted. (Correct operation)	• For about 2 minutes after power-on, operation of the remote controller is not possible due to system start-up. (Correct operation)
PLEASE WAIT → Error code	After about 2 minutes has expired following power-on	Only LED 1 is lighted. → LED 1, 2 blink.	• Connector for the outdoor unit's protection device is not connected. • Reverse or open phase wiring for the outdoor unit's power terminal block (L1, L2, L3)
Display messages do not appear even when operation switch is turned ON (operation lamp does not light up).		Only LED 1 is lighted. → LED 1, 2 blinks twice, LED 2 blinks once.	• Incorrect wiring between indoor and outdoor units (incorrect polarity of S1, S2, S3) • Remote controller wire short

On the IR wireless remote controller with conditions above, following phenomena takes place.

- No signals from the remote controller are accepted.
- OPE lamp is blinking.
- The buzzer makes a short ping sound.

Note:

Operation is not possible for about 30 seconds after cancellation of function selection. (Correct operation)

For description of each LED (LED1, 2, 3) provided on the indoor controller, refer to the following table.

LED 1 (power for microcomputer)	Indicates whether control power is supplied. Make sure that this LED is always lit.
LED 2 (power for remote controller)	Indicates whether power is supplied to the remote controller. This LED lights only in the case of the indoor unit which is connected to the outdoor unit refrigerant address “0”.
LED 3 (communication between indoor and outdoor units)	Indicates state of communication between the indoor and outdoor units. Make sure that this LED is always blinking.

14.4. AUTO RESTART FUNCTION

Indoor controller board

This model is equipped with the AUTO RESTART FUNCTION.

When the indoor unit is controlled with the remote controller, the operation mode, set temperature, and the fan speed are memorized by the indoor controller board.

The auto restart function sets to work the moment the power has restored after power failure, then, the unit will restart automatically.

Set the AUTO RESTART FUNCTION using the remote controller. (Mode no.01)

Table des matières

Table des matières	28	10. Filtre à air.....	41
1. Dimensions.....	29	11. Mise en place des tuyaux de réfrigérant.....	42
2. Vérification de la livraison.....	30	11.1. Isolation.....	43
3. Consignes de sécurité.....	30	11.2. Taille des tuyaux.....	43
3.1. Avant l'installation de l'appareil et l'installation électrique	30	12. Raccords d'évacuation	44
3.2. Précautions à prendre avec les appareils utilisant le réfrigérant R410A.....	31	13. Câblage électrique.....	45
3.3. Avant de commencer	31	13.1. Commandes à distance	46
3.4. Avant de procéder à l'installation (au déplacement) - installation électrique	31	13.2. Raccordement à la tension de ligne	47
3.5. Avant d'effectuer l'essai de fonctionnement.....	32	13.3. Connexion de l'interrupteur de sécurité de débordement de condensat.....	48
4. Accessoires de l'appareil intérieur	32	13.4. Modification de la pression statique extérieure (PSE) du ventilateur.....	48
5. Sélection de l'emplacement d'installation	32	13.5. Ventilation avec récupération d'énergie (ERV)	49
6. Combinaison des appareils intérieurs avec des appareils extérieurs.....	32	13.6. Humidificateur	50
7. Installation de l'appareil	32	14. Essai de fonctionnement	51
8. Raccordement des conduits	33	14.1. Avant l'essai de fonctionnement	51
9. Positions de montage	33	14.2. Essai de fonctionnement	51
9.1. Installation verticale	33	14.3. Autocontrôle.....	51
9.2. Installation horizontale du côté droit	34	14.4. FONCTION DE REDÉMARRAGE AUTOMATIQUE.....	53
9.3. Installation horizontale du côté gauche	35		
9.4. Installation en flux descendant	39		

2. Vérification de la livraison

Ces centrales de traitement d'air sont entièrement assemblées en usine et la performance de tous les composants est testée. Chaque appareil est constitué d'un bloc ventilateur, d'une bobine de réfrigérant et de commandes intégrés dans un caisson en acier galvanisé isolé en usine. Les orifices défonçables sont fournis pour le passage des câbles électriques. Vérifiez la plaque signalétique de l'appareil pour confirmer que les spécifications correspondent. Dès la réception de

l'équipement, inspectez-le soigneusement pour vérifier qu'il ne présente aucun dommage. Faites particulièrement attention lorsque vous inspectez l'appareil si le carton d'emballage est endommagé. En cas de dommage, veuillez le noter sur la facture du transporteur. Toutes réclamations de dommages doivent être déposées auprès du transporteur immédiatement. Toutes réclamations de pièces manquantes doivent être déposées auprès du revendeur dans les 5 jours de la réception.

3. Consignes de sécurité

3.1. Avant l'installation de l'appareil et l'installation électrique

Avant d'installer l'appareil, lisez attentivement toutes les "Consignes de sécurité". Les "Consignes de sécurité" concernent des points très importants en matière de sécurité. Veuillez à bien les suivre.

Symboles utilisés dans le texte

⚠ Avertissement :
Décrit les précautions à suivre pour éviter tout danger de blessure ou de décès de l'utilisateur

⚠ Précaution :
Décrit les précautions à suivre pour éviter d'endommager l'appareil

⚠ Avertissement :
Lisez soigneusement les étiquettes se trouvant sur l'appareil principal.

⚠ Avertissement :

- **L'appareil doit être installé par un revendeur agréé ou un technicien qualifié.**
 - Une mauvaise installation par l'utilisateur pourrait provoquer des fuites d'eau, une électrocution ou un incendie.
- **Installez l'appareil sur une structure capable de supporter son poids.**
 - Autrement l'appareil risque de tomber et de blesser quelqu'un.
- **Utilisez les câbles spécifiés pour le câblage. Assurez-vous que les raccordements sont effectués correctement de façon à ce que la force externe du câble ne soit pas appliquée aux bornes.**
 - Un raccordement et une fixation inadéquats pourraient provoquer une surchauffe et causer un incendie. Utilisez des serre-câbles lors du câblage.
- **Prenez toutes les mesures nécessaires pour parer aux éventuels typhons, ouragans, tremblements de terre, etc. et installez l'appareil à l'endroit spécifié.**
 - L'appareil pourrait tomber et par conséquent blesser quelqu'un si l'installation n'est pas effectuée correctement.
- **Ne réparez jamais vous-même l'appareil. En cas de réparation nécessaire du climatiseur, veuillez consulter le revendeur.**
 - Toute mauvaise réparation peut entraîner un risque de fuite d'eau, d'électrocution ou d'incendie.
- **Ne touchez pas les ailettes de l'échangeur thermique.**
 - Une manipulation inappropriée peut entraîner des blessures.
- **Lors de la manipulation du produit, portez toujours des vêtements de protection.**
 - Par exemple : gants, protection intégrale des bras et lunettes de sécurité.
 - Une manipulation inappropriée peut entraîner des blessures.
- **Installez le climatiseur en respectant les instructions de ce manuel d'installation.**
 - Si l'appareil n'est pas correctement installé, il peut y avoir un risque de fuite d'eau, d'électrocution ou d'incendie.
- **Demandez à un électricien qualifié d'effectuer l'installation électrique conformément aux "Normes électriques nationales et locales" et aux**

"Réglementations sur le câblage intérieur" ainsi qu'aux instructions de ce manuel, et utilisez toujours un circuit spécifique.

- Si la capacité de la source d'alimentation n'est pas adéquate ou si l'installation électrique n'est pas effectuée correctement, il peut y avoir un risque d'électrocution ou d'incendie.
- **Maintenez les pièces électriques à l'abri de l'eau (eau de lavage etc.).**
 - Cela pourrait provoquer une électrocution, un incendie ou de la fumée.
- **Lors du nettoyage de l'échangeur thermique et du bac de récupération, assurez-vous que la boîte de commande, le moteur et le LEV restent secs en utilisant une couverture étanche.**
- **Lors de l'installation et du déplacement du climatiseur vers un autre site, ne le chargez pas avec un réfrigérant différent de celui qui est spécifié sur l'appareil.**
 - Si un autre réfrigérant ou de l'air est mélangé au réfrigérant d'origine, le cycle de réfrigération peut mal fonctionner et l'appareil peut être endommagé.
- **Lors du déplacement et de la réinstallation du climatiseur, veuillez consulter le revendeur ou un technicien agréé.**
 - Une mauvaise installation du climatiseur peut entraîner un risque de fuite d'eau, d'électrocution ou d'incendie.
- **Ne réarrangez pas ou ne modifiez pas les réglages des dispositifs de sécurité.**
 - Si le pressostat, l'interrupteur thermique ou tout autre dispositif de sécurité est court-circuité et forcé, ou si des pièces autres que celles spécifiées par Mitsubishi Electric sont utilisées, un incendie ou une explosion peut en résulter.
- **Demandez conseil à votre revendeur pour la mise au rebut de ce produit.**
- **N'utilisez pas d'additif de détection de fuite.**
- **Utilisez toujours les filtres à air, humidificateurs, chauffages électriques et autres accessoires spécifiés par Mitsubishi Electric.**
 - Demandez à un technicien agréé d'installer les accessoires. Une mauvaise installation par l'utilisateur pourrait provoquer des fuites d'eau, une électrocution ou un incendie.
- **En cas de fuite de gaz réfrigérant durant l'installation, aérez la pièce.**
 - Si le gaz réfrigérant entre en contact avec une flamme, il y aura émission de gaz toxiques.
- **Mettez fermement en place le couvercle des bornes de l'appareil extérieur (panneau).**
 - Si le couvercle des bornes (panneau) n'est pas mis en place correctement, de la poussière ou de l'eau peut pénétrer dans l'appareil extérieur et entraîner un incendie ou une électrocution.
- **Si le climatiseur est installé dans une pièce relativement petite, certaines mesures doivent être prises pour éviter que la concentration de réfrigérant ne dépasse le seuil de sécurité en tenant compte des possibilités de fuites de réfrigérant.**
 - Consultez votre revendeur sur les précautions nécessaires à prendre afin que la limite admissible ne soit pas dépassée. Si le réfrigérant fuit et que la limite admissible est dépassée, des risques dus au manque d'oxygène dans la pièce peuvent exister.
- **Une fois l'installation terminée, assurez-vous qu'il n'y a aucune fuite de gaz réfrigérant.**

- Si le gaz réfrigérant fuit et est exposé à un radiateur soufflant, un poêle, un four ou toute autre source de chaleur, des gaz toxiques peuvent être émis.
- **Les enfants ne doivent pas être autorisés autour de l'équipement de climatisation.**
- **L'installateur et le spécialiste du système doivent s'assurer qu'il n'y a pas de fuite de réfrigérant conformément aux normes et règlements locaux.**
- **Faites particulièrement attention à l'emplacement d'installation de l'appareil. Étant donné que le réfrigérant est plus lourd que l'air, des emplacements tels qu'un sous-sol ou un vide sanitaire où le gaz réfrigérant peut s'accumuler peuvent devenir dangereux.**
- **Cet appareil n'est pas destiné à être utilisé par des personnes (enfants inclus) dont les capacités mentales, sensorielles ou physiques sont réduites, ou qui ne disposent pas de l'expérience et des connaissances requises, sauf si une personne responsable de leur sécurité assure leur surveillance ou leur formation dans le cadre de l'utilisation de l'appareil.**
- **Si le cordon d'alimentation est endommagé, il doit être remplacé par le fabricant, un agent d'entretien ou une personne qualifiée de manière à éviter tout risque.**
- **Utilisez uniquement un réfrigérant de type indiqué dans les manuels fournis avec l'appareil et sur la plaque signalétique.**
 - Faute de quoi, l'appareil ou la tuyauterie pourrait éclater, ou cela pourrait provoquer une explosion ou un incendie pendant l'utilisation, la réparation ou la mise au rebut de l'appareil.
 - Cela pourrait également constituer une violation des lois applicables.
 - MITSUBISHI ELECTRIC CORPORATION ne peut être tenue responsable de tout dysfonctionnement ou accident résultant de l'utilisation du mauvais type de réfrigérant.
- (Manomètre de pression, tuyau flexible de charge, détecteur de fuite de gaz, valve de contrôle de flux inverse, base de charge du réfrigérant, jauge à vide, équipements de récupération de réfrigérant.)
- Si le réfrigérant conventionnel et l'huile de réfrigération sont mélangés au R410A, le réfrigérant peut se détériorer.
- Si de l'eau est mélangée au R410A, l'huile de réfrigération peut se détériorer.
- Puisque le R410A ne contient aucun chlore, les détecteurs de fuite de gaz pour les réfrigérants conventionnels ne réagissent pas.
- N'utilisez pas de cylindre de charge. Cela pourrait provoquer la détérioration du réfrigérant.
- **Faites particulièrement attention lors de l'utilisation des outils.**
 - Si de la poussière, de la saleté ou de l'eau s'infiltré dans le système de réfrigération, le réfrigérant peut se détériorer.

3.3. Avant de commencer

⚠ Précaution :

- **N'installez pas l'appareil dans un endroit sujet aux fuites de gaz inflammables.**
 - S'il y a une fuite de gaz et que le gaz s'accumule autour de l'appareil, il y a un risque d'explosion.
- **N'utilisez pas le climatiseur dans certains environnements.**
 - L'huile, la vapeur, la fumée sulfurique, etc. peuvent considérablement réduire la performance du climatiseur ou en endommager les pièces.
- **Lors de l'installation de l'appareil dans un hôpital, une station de communications ou tout endroit similaire, assurez une protection suffisante contre le bruit.**
 - Les onduleurs, les générateurs d'alimentation privés, les équipements médicaux à haute fréquence ou les équipements de radiocommunication peuvent provoquer le dysfonctionnement du climatiseur ou l'empêcher de fonctionner. D'un autre côté, le climatiseur peut affecter le fonctionnement de ces équipements en générant du bruit qui gêne le traitement médical ou la transmission d'images.
- **N'installez pas l'appareil sur une structure qui pourrait causer des fuites.**
 - Lorsque l'humidité de la pièce dépasse 80 % ou lorsque le tuyau d'écoulement est bouché, il se peut que des gouttes d'eau tombent de l'appareil intérieur. Exécutez un travail de drainage collectif avec l'appareil intérieur et l'appareil extérieur, si nécessaire.
- **Lorsque la température ambiante du point de condensation dépasse 75 °F (24 °C), de la condensation peut se former à la surface de l'appareil. Effectuez le nécessaire pour éviter la condensation.**

3.4. Avant de procéder à l'installation (au déplacement) - installation électrique

⚠ Précaution :

- **Mettez l'appareil à la terre.**
 - Ne branchez pas le fil de mise à la terre à un tuyau de gaz ou d'eau, à un paratonnerre ou à une ligne téléphonique de terre. Une mauvaise mise à la terre peut provoquer des risques d'électrocution.
- **Installez le câble d'alimentation de façon à ce qu'il ne soit pas tendu.**
 - Autrement le câble pourrait se rompre, ce qui pourrait provoquer un échauffement et causer un incendie.
- **Installez un disjoncteur de fuite, comme requis.**
 - Si un disjoncteur de fuite n'est pas installé, il peut en résulter une électrocution.
- **Utilisez des câbles d'alimentation dont la capacité à distribuer le courant et la valeur nominale sont adéquates.**
 - Les câbles qui sont trop petits peuvent fuir, s'échauffer, et provoquer un incendie.
- **Utilisez uniquement un disjoncteur et un fusible de la valeur indiquée.**
 - L'utilisation d'un fusible ou d'un disjoncteur de plus grande valeur ou d'un fil en acier ou en cuivre peut entraîner une défaillance générale de l'appareil ou un incendie.

3.2. Précautions à prendre avec les appareils utilisant le réfrigérant R410A

⚠ Précaution :

- **N'utilisez pas les tuyaux de réfrigérant actuels.**
 - Le vieux réfrigérant et l'huile de réfrigération se trouvant dans les tuyaux contiennent une large quantité de chlore qui pourrait abîmer l'huile de réfrigération du nouvel appareil.
- **Utilisez des tuyaux de réfrigération en cuivre désoxydé au phosphore C1220 (Cu-DHP) comme indiqué par la norme JIS H3300 "Tuyaux et tubes en cuivre ou en alliage de cuivre sans soudure". Veillez également à ce que les surfaces internes et externes des tuyaux soient propres et dépourvues de soufre, d'oxydes, de poussière/impuretés, de rognures, d'huile, de condensation ou de toute autre particule contaminante.**
 - Tout contaminant à l'intérieur des tuyaux de réfrigération pourrait provoquer la détérioration de l'huile de réfrigération résiduelle.
- **Gardez les tuyaux à utiliser pour l'installation à l'intérieur et laissez les deux extrémités des tuyaux couvertes jusqu'au moment du brasage. (Gardez les tuyaux coudés et autres raccords dans un sac en plastique.)**
 - Si de la poussière, de la saleté ou de l'eau s'infiltré dans le cycle de réfrigération, le réfrigérant risque de se détériorer et le compresseur risque de ne pas fonctionner correctement.
- **Utilisez un réfrigérant liquide pour remplir le système.**
 - Si l'on utilise du gaz réfrigérant pour rendre le système hermétique, la composition du réfrigérant se trouvant dans le cylindre changera et la performance peut chuter.
- **N'utilisez pas un réfrigérant autre que le R410A.**
 - Si un autre réfrigérant est utilisé, le chlore présent dans le réfrigérant peut provoquer la détérioration de l'huile de réfrigération.
- **Utilisez une pompe à vide équipée d'une valve de contrôle de flux inverse.**
 - Il se peut que l'huile de la pompe à vide reparte dans le cycle de réfrigération, ce qui entraînerait la détérioration de l'huile de réfrigération.
- **N'utilisez pas les outils énumérés ci-dessous, destinés aux réfrigérants traditionnels.**

- **Ne lavez pas les climatiseurs.**
 - Le fait de les laver peut provoquer une électrocution.
- **Assurez-vous que la base d'installation ne soit pas abîmée à cause d'un usage prolongé.**
 - Si l'endommagement n'est pas réparé, l'appareil pourrait tomber et causer des blessures ou des dégâts matériels.
- **Installez les tuyaux d'écoulement conformément aux instructions de ce manuel d'installation afin d'assurer une évacuation correcte. Enveloppez les tuyaux de matériaux isolants thermiques afin d'empêcher la formation de condensation.**
 - Si les tuyaux d'écoulement ne sont pas installés correctement, cela peut causer une fuite d'eau et endommager le mobilier et d'autres biens.
- **Faites très attention pendant le transport de l'appareil.**
 - Si ce produit pèse plus de 20 kg [44 lb], il doit être porté par au moins deux personnes.
 - Certains produits sont emballés à l'aide de bandes PP. N'utilisez pas les bandes PP comme moyen de transport de l'appareil, car cela est dangereux.
 - Ne touchez pas les ailettes de l'échangeur thermique. Vous pourriez vous couper les doigts.
- **Jetez les emballages dans un endroit où ils ne présenteront aucun risque pour quiconque.**
 - Les matériaux d'emballage, tels que des clous et autres pièces métalliques ou en bois, peuvent causer des blessures.
 - Déchirez et jetez les sacs d'emballage en plastique de sorte que les enfants ne jouent pas avec. Si des enfants jouent avec un sac en plastique qui n'a pas été déchiré, ils risquent de s'étouffer.

3.5. Avant d'effectuer l'essai de fonctionnement

⚠ Précaution :

- **Mettez l'appareil sous tension au moins 12 heures avant de le faire fonctionner.**
 - La mise en marche de l'appareil immédiatement après sa mise sous tension pourrait provoquer de sérieux dégâts aux éléments internes. Ne mettez pas l'appareil hors tension pendant la saison de fonctionnement.
- **Ne touchez pas les interrupteurs avec les doigts mouillés.**
 - Toucher un interrupteur avec les doigts mouillés peut causer une électrocution.
- **Ne touchez pas les tuyaux de réfrigérant pendant ou immédiatement après le fonctionnement.**
 - Les tuyaux de réfrigérant peuvent être chauds ou froids pendant ou immédiatement après le fonctionnement de l'appareil, selon l'état du réfrigérant s'écoulant dans les tuyaux de réfrigération, le compresseur et les autres pièces du cycle de réfrigération. Si vous les touchez, vos mains peuvent subir des brûlures ou des gelures.
- **Ne faites pas fonctionner le climatiseur lorsque les panneaux et dispositifs de sécurité ont été enlevés.**
 - Les pièces rotatives, chaudes ou sous haute tension peuvent causer des blessures.
- **Ne mettez pas l'appareil hors tension immédiatement après son fonctionnement.**
 - Attendez toujours au moins cinq minutes avant de le mettre hors tension. Sinon, il pourrait en résulter une fuite d'eau ou un mauvais fonctionnement.

4. Accessoires de l'appareil intérieur

N° de pièce		Qté
1	Serre-câble en plastique	4
2	Tube en plastique	2
3	Manuel d'installation	1
4	Manuel de fonctionnement	1
5	Joint du bac de récupération	2

5. Sélection de l'emplacement d'installation

- Évitez les emplacements exposés à l'air extérieur.
- Sélectionnez un emplacement dégagé depuis lequel l'air pourra entrer et sortir de l'appareil sans obstructions.
- Évitez les emplacements exposés à la condensation ou à la vapeur.
- Évitez les emplacements pouvant être soumis à une fuite, un dépôt ou une génération de gaz combustible.
- Évitez toute installation à proximité d'appareils émettant des ondes hautes fréquences (machine à souder haute fréquence, etc.).
- Évitez les emplacements où le flux de l'air est dirigé vers un capteur d'alarme incendie. (L'air chaud pourrait déclencher l'alarme pendant le fonctionnement.)
- Évitez les emplacements où des solutions acides sont fréquemment utilisées.
- Évitez les emplacements où des aérosols à base de soufre ou autres sont fréquemment utilisés.
- Lorsque la centrale de traitement d'air est installée en position horizontale, installez un bac de récupération sous le caisson.
- Utilisez suffisamment d'isolation thermique afin d'éviter toute condensation sur les conduits d'entrée et de sortie.

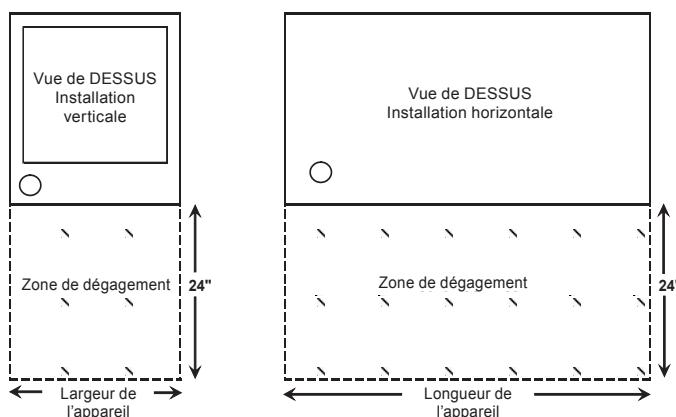
6. Combinaison des appareils intérieurs avec des appareils extérieurs

Pour raccorder les appareils intérieurs aux appareils extérieurs, veuillez-vous reporter au manuel d'installation des appareils extérieurs.

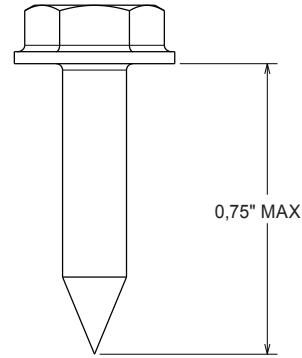
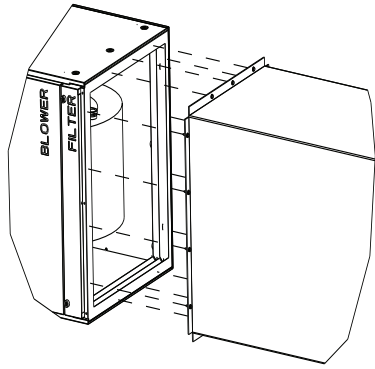
7. Installation de l'appareil

La centrale de traitement d'air peut être installée dans une configuration verticale, horizontale (**côté droit et côté gauche**) et flux descendant comme indiqué aux étapes 9.1. à 9.4. Les appareils sont conçus pour un dégagement zéro "0" aux matériaux combustibles. 24 pouces sont nécessaires pour l'accès pour l'entretien à l'avant de l'appareil. (Voir Espace nécessaire à l'installation.) Indépendamment de la configuration de montage, la centrale de traitement d'air doit être montée à niveau pour faciliter le bon écoulement des condensats.

Espace nécessaire à l'installation



8. Raccordement des conduits



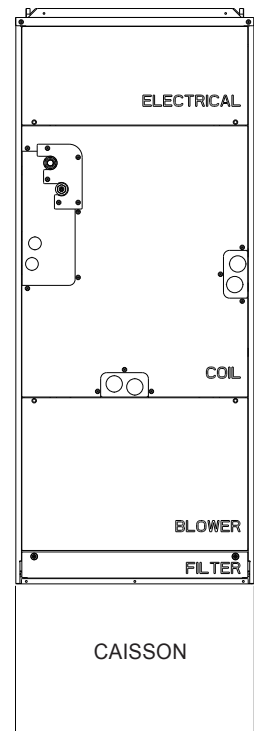
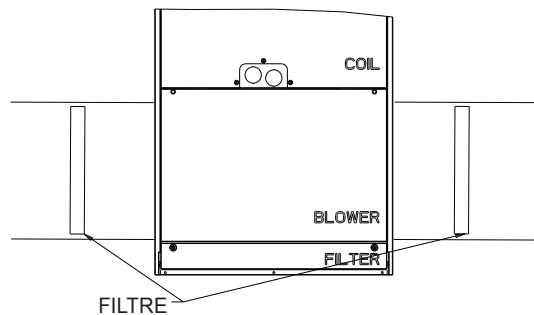
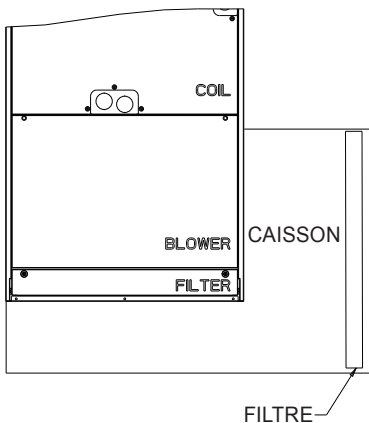
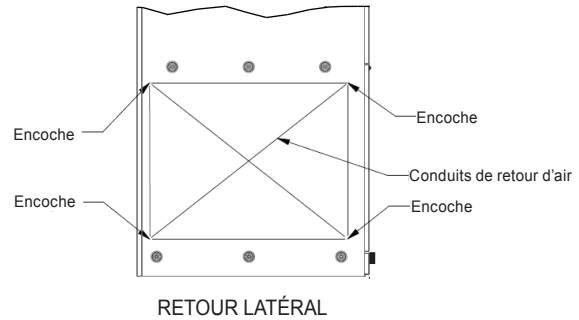
- Reportez-vous au dessin pour la taille des raccords des conduits.
- Utilisez des conduits à bride pour les raccordements de retour.
- N'utilisez pas de vis de tôle d'une longueur de plus de 0,75" pour fixer les raccords de conduits à la centrale de traitement d'air.

9. Positions de montage

9.1. Installation verticale

La centrale de traitement d'air doit être soutenue uniquement sur la face inférieure et doit être posée sur une surface solide avec un caisson de mélange ci-dessous ou un cadre ou caisson de support fourni sur place. Fixez solidement la centrale de traitement d'air au sol ou au cadre ou caisson de support.

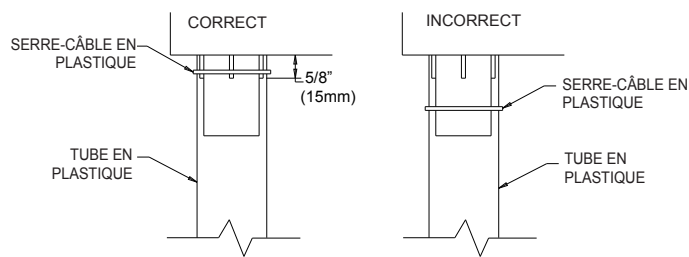
Les deux retours latéraux doivent être utilisés sur tous les modèles pour assurer le bon écoulement de l'air. Si le retour latéral est utilisé, **l'installateur est responsable de s'assurer que les conduits sont de taille correcte et qu'ils sont fixés de manière étanche au caisson.** Lors de la découpe sur le côté du caisson, utilisez les encoches fournies pour ne pas endommager la structure interne ou le câblage.



9.2. Installation horizontale du côté droit

Reportez-vous à la section 9.3. Étape 1 à 4 et 12 pour retirer entièrement la bobine du caisson de la centrale de traitement d'air. Il sera nécessaire de retirer les panneaux du filtre, du ventilateur, de la partie électrique et de la bobine, ainsi que les supports de fixation de la bobine. Veillez également à faire sortir les fils de la thermistance de la partie électrique de la centrale de traitement d'air de façon à pouvoir retirer la bobine.

Lorsque la bobine est retirée, les deux tubes en plastique transparent inclus dans le sac d'accessoires doivent être fixés au bac de récupération supérieur. Retirez d'abord les bouchons en caoutchouc sous le bac de récupération supérieur. Ensuite, installez les tubes en plastique transparent qui sont inclus dans le sac d'accessoires. Assurez-vous que les tubes en plastique permettent l'évacuation dans le bac. Vérifiez également que les tubes en plastique transparent ne comportent aucune restriction. Il est nécessaire de couper les tubes en plastique, reportez-vous au tableau relatif à la longueur des tubes. Enfin, fixez les tubes en plastique transparent au bac de récupération supérieur comme indiqué par le Détail A, puis fixez-les aux supports métalliques de fixation de la bobine au bac de récupération supérieur à l'aide des serre-câbles en plastique fournis comme indiqué.



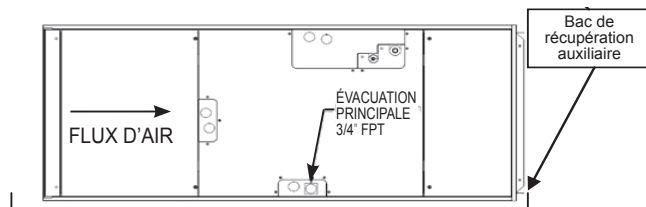
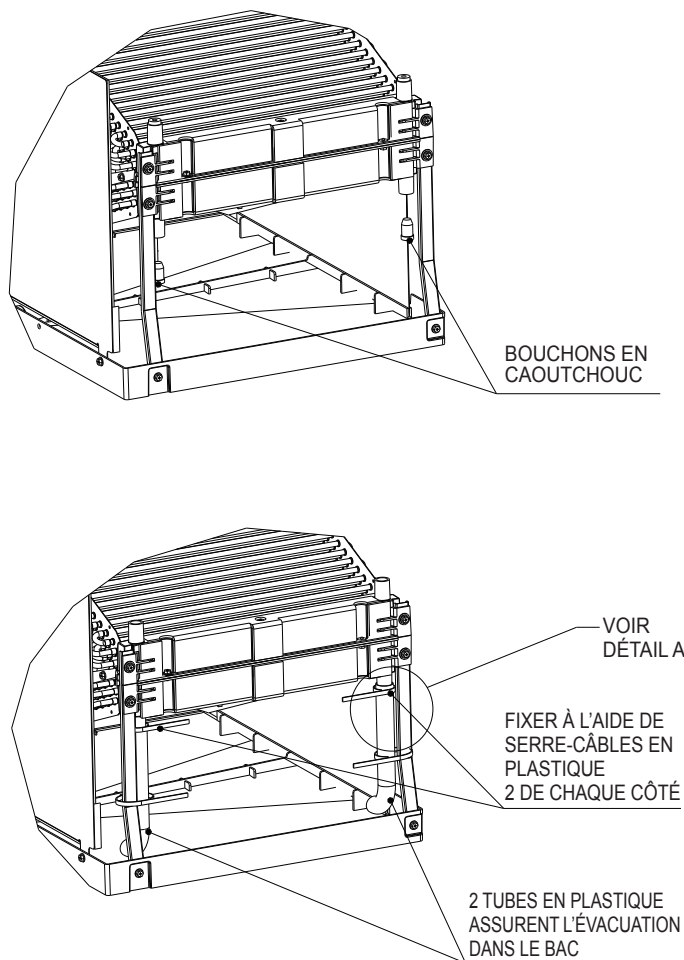
DÉTAIL A

Modèle	Longueur de tube
PVA-A30	6,9 in. (175 mm)
PVA-A36, 42	*8,9 in. (225 mm)

*Longueur de tube fournie.

Réinstallez la bobine ainsi que le(s) support(s) de fixation. Ne pas réinstaller les supports entraînera une perte de capacité et la formation de condensation à l'intérieur du caisson. Le faisceau électrique pour le connecteur de la thermistance doit également être acheminé à nouveau dans la partie électrique et branché à **CN44**. Reportez-vous à 9.3. Étape 1 à 4 en procédant dans l'ordre inverse pour remonter les panneaux. Assurez-vous que les orifices défonçables appropriés sont retirés pour les raccords d'évacuation et les connexions électriques.

REMARQUE : Pour l'installation horizontale, un bac de récupération auxiliaire doit être installé.



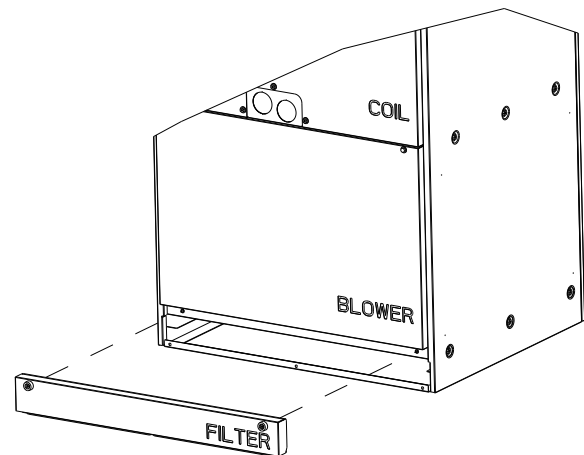
Installation horizontale du côté droit

La rotation du bloc ventilateur n'est pas nécessaire.

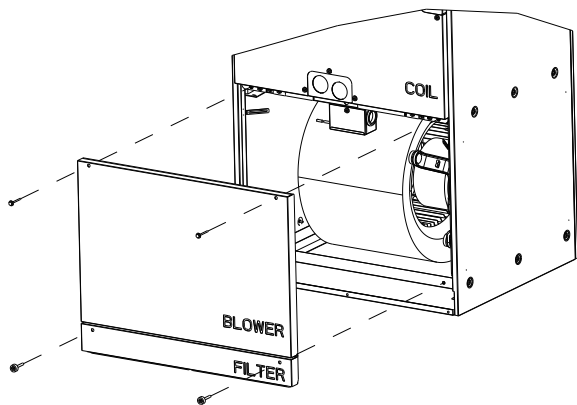
9.3. Installation horizontale du côté gauche

Pour une installation horizontale du côté gauche, le bac de récupération doit être déplacé vers le côté opposé à la bobine. Pour cela, il faut déplacer les deux supports et le bac de récupération à gauche de la bobine. De cette façon, le condensat qui s'est formé sur la bobine tombera dans le bac de récupération. Les orifices défonçables appropriés pour l'évacuation devront également être retirés lorsque le bac de récupération est dans la correcte position. En plus du repositionnement du bac de récupération latéral, il faut également retirer le bloc ventilateur, le faire tourner de 180°, puis le réinstaller. Le moteur doit être le plus proche du sol. Les deux tubes en plastique transparent inclus dans le sac d'accessoires doivent également être fixés au bac de récupération supérieur. Reportez-vous aux instructions ci-dessous.

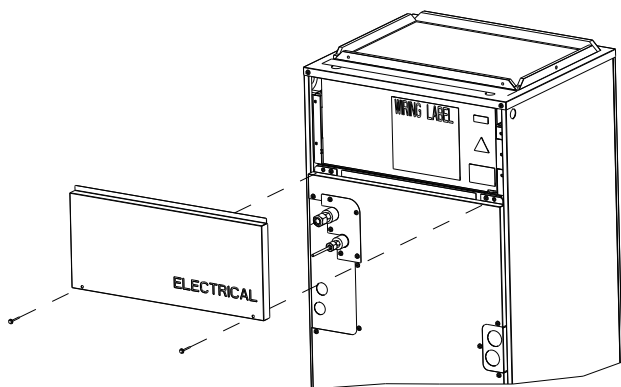
Instructions concernant la rotation du ventilateur pour une installation horizontale du côté gauche :



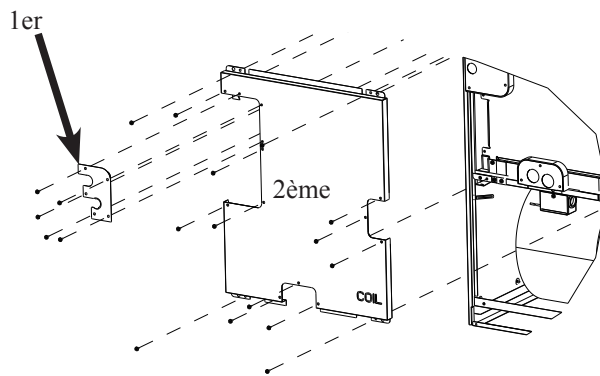
Étape 1 Retirez le panneau portant l'inscription "FILTER".



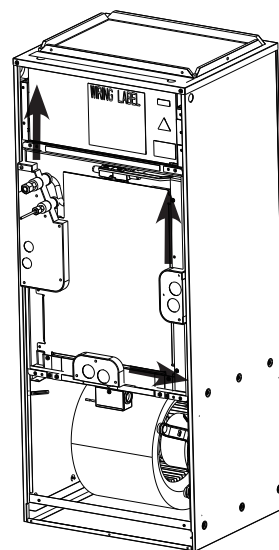
Étape 2 Retirez le panneau portant l'inscription "BLOWER".



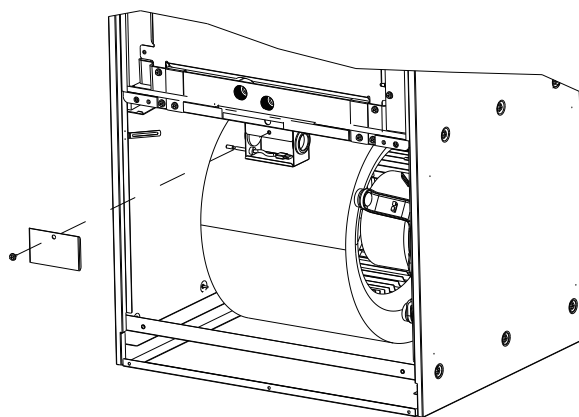
Étape 3 Retirez le panneau portant l'inscription "ELECTRICAL".



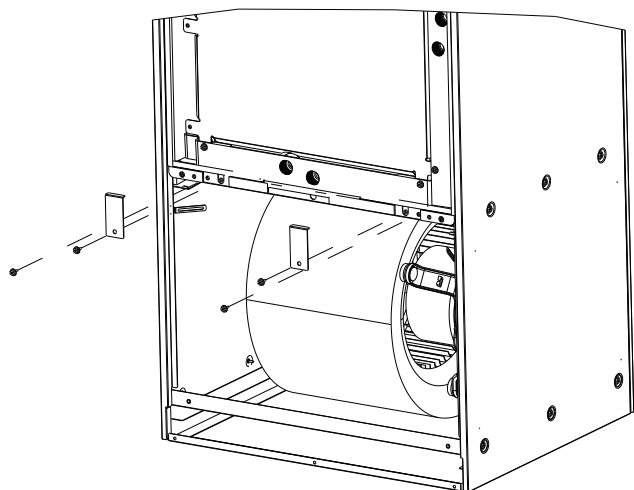
Étape 4a Retirez les vis de fixation des panneaux (3) au panneau COIL comme indiqué sur l'image ci-dessus. Retirez le "1er" panneau et le "2ème" panneau portant l'inscription "COIL".



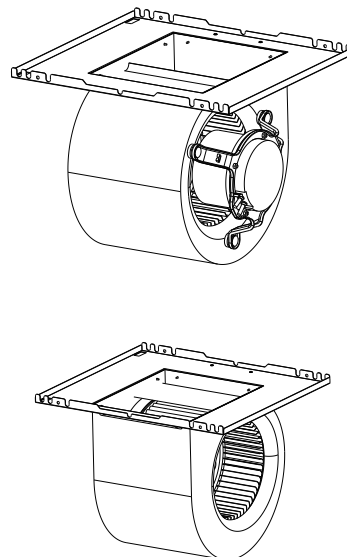
Étape 4b Ensuite, retirez les petits panneaux couvrant les trous d'évacuation et lignes de réfrigérant en les faisant glisser d'abord dans la direction indiquée ci-dessus.



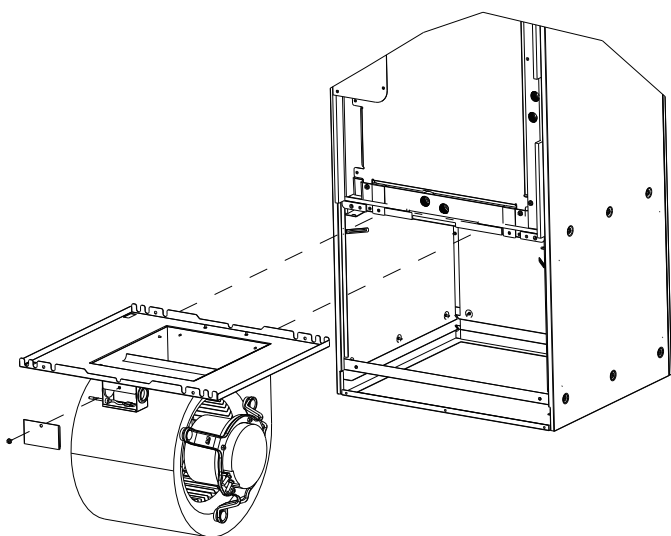
Étape 5 Retirez le couvercle du boîtier électrique monté sur le bloc ventilateur. Débranchez le connecteur du moteur ainsi que le connecteur de la thermistance de retour d'air. Retirez tous les faisceaux du boîtier électrique pour ne laisser que la thermistance de retour d'air attachée au boîtier électrique.



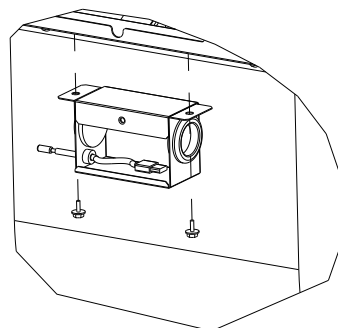
Étape 6 Retirez les vis (4) indiquées sur l'image ainsi que les supports de fixation de la bobine.



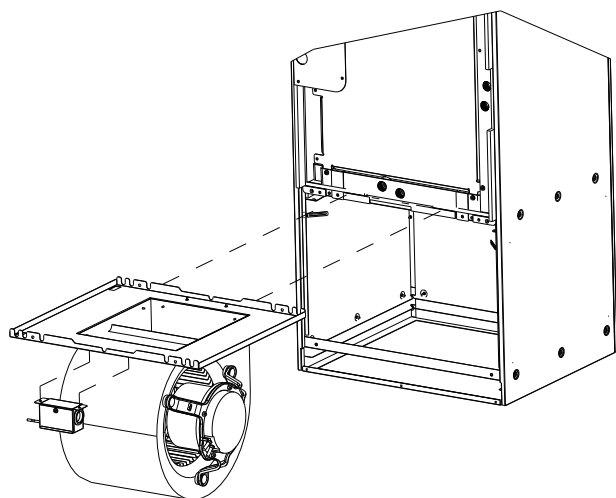
Étape 9 Faites tourner le bloc ventilateur de 180°. Le moteur doit désormais se trouver sur le côté opposé.



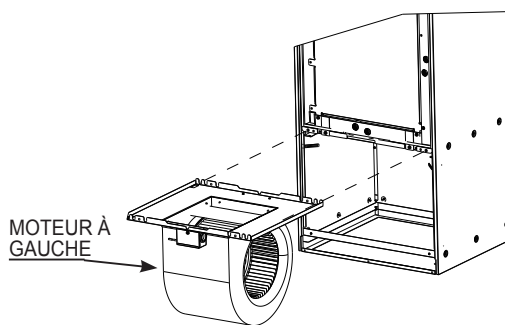
Étape 7 Faites glisser entièrement le bloc ventilateur et retirez-le du caisson.



Étape 10 Réinstallez le boîtier du capteur de température de l'air de retour sur le bloc ventilateur sur le côté opposé de son emplacement d'origine.

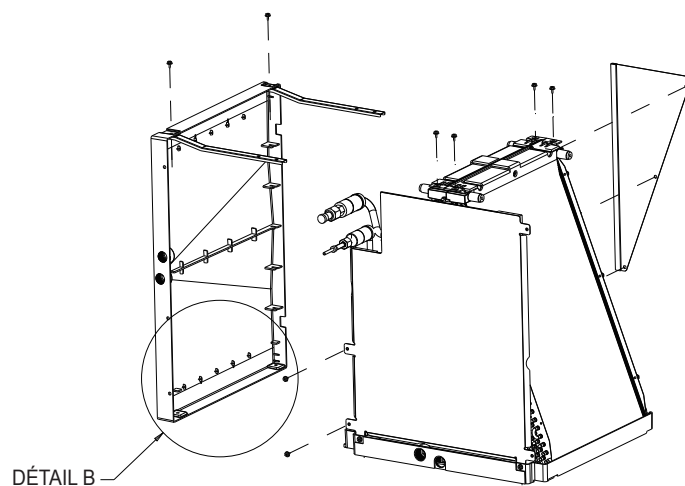
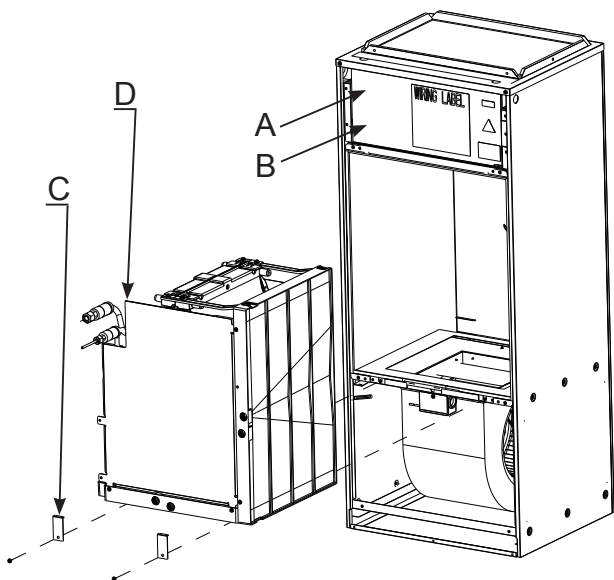


Étape 8 Retirez le boîtier électrique du bloc ventilateur.



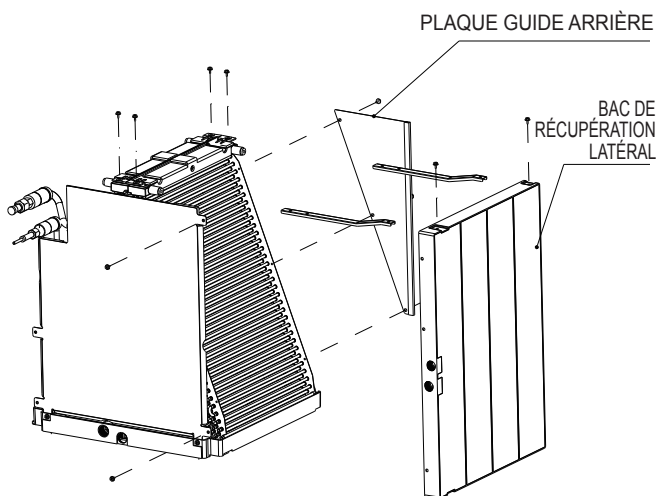
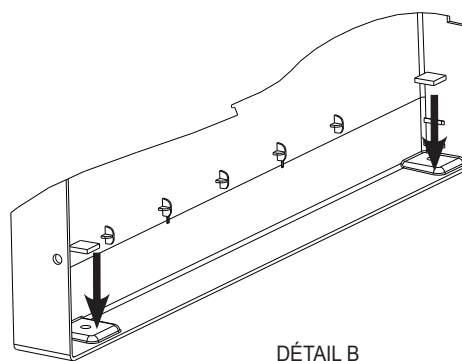
Étape 11 Remettez le bloc ventilateur avec le moteur désormais à gauche dans le caisson de la centrale de traitement d'air et réutilisez les vis (2) pour fixer le bloc ventilateur en position. Achetez à nouveau les connecteurs (2) du moteur dans le boîtier et rebranchez-les.

REMARQUE : Il est peut-être nécessaire de retirer le faisceau électrique des attaches en plastique montées sur le support du moteur afin d'avoir une longueur suffisante pour atteindre le boîtier électrique monté sur le bloc ventilateur. Assurez-vous que le faisceau électrique est fixé correctement et qu'il ne peut entrer dans le ventilateur. Achetez à nouveau le connecteur de la thermistance de retour d'air dans le boîtier électrique et rebranchez-le.



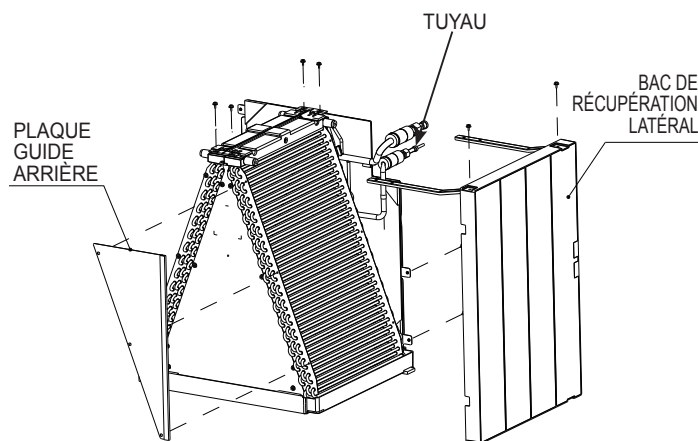
Étape 12

- A. Retirez le couvercle de la boîte de commande.
- B. Débranchez la thermistance (CN44) du panneau de contrôle et faites sortir le faisceau de la zone de la boîte de commande par le passe-câble en caoutchouc.
- C. Retirez les supports de fixation de la bobine si vous ne l'avez pas déjà fait.
- D. Faites glisser la bobine et retirez-la du caisson de la centrale de traitement d'air.

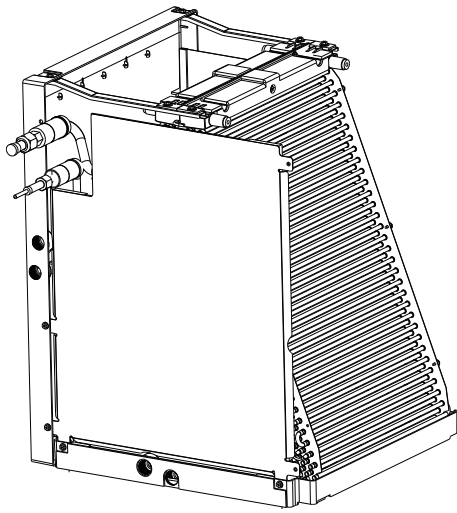


- Étape 13** Retirez la plaque guide arrière (3 vis) et le bac de récupération latéral (4 vis) ainsi que les supports de fixation (4 vis) de la bobine.

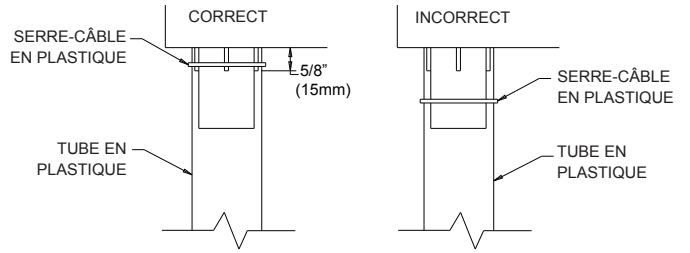
- Étape 14a** Installez les joints du bac de récupération (2) inclus dans le sac d'accessoires comme indiqué ci-dessus. Ces joints permettent de recouvrir les orifices non utilisés sur le bac de récupération latéral afin d'éviter les fuites.



- Étape 14b** Réinstallez les supports sur le côté opposé du bac de récupération latéral. Le bac de récupération latéral est réinstallé sur le côté opposé de la bobine. Remettez la plaque guide arrière en place sur le côté opposé de la bobine.



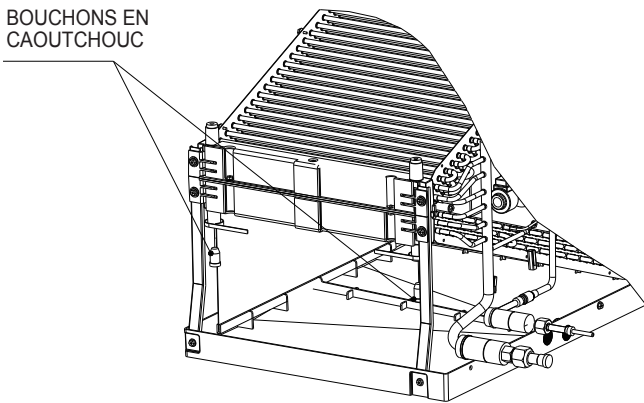
Vue de l'étape 14b terminée de la bobine pour l'installation horizontale du côté gauche



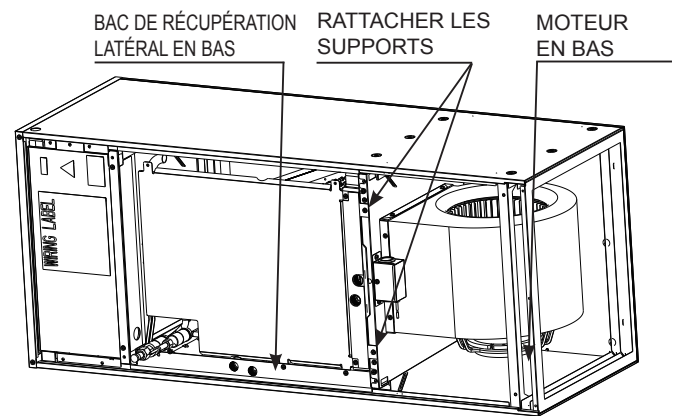
DÉTAIL A

Modèle	Longueur de tube
PVA-A30	6,9 in. (175 mm)
PVA-A36, 42	*8,9 in. (225 mm)

*Longueur de tube fournie.

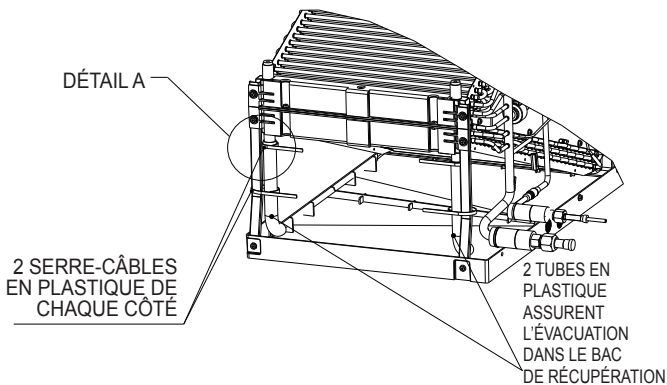


Étape 14c Retirez les bouchons en caoutchouc indiqués sur l'image ci-dessus.

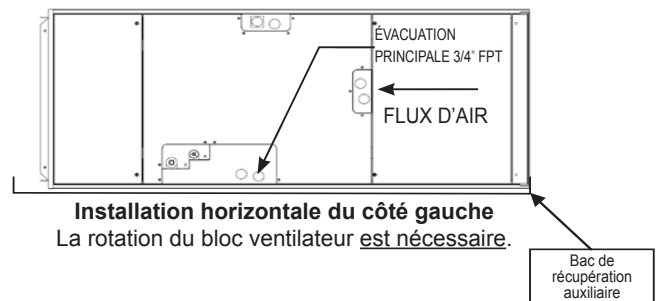


Étape 15 Réinstallez la bobine ainsi que le(s) support(s) de fixation. Ne pas réinstaller les supports entraînera une perte de capacité et la formation de condensation à l'intérieur du caisson. Le faisceau électrique pour le connecteur de la thermistance doit également être acheminé à nouveau dans la partie électrique et branché à **CN44**. Reportez-vous à 9.3. Étape 1 à 4 en procédant dans l'ordre inverse pour remonter les panneaux. Assurez-vous que les orifices défonçables appropriés sont retirés pour les raccords d'évacuation et les connexions électriques.

REMARQUE : Pour l'installation horizontale, un bac de récupération auxiliaire doit être installé.

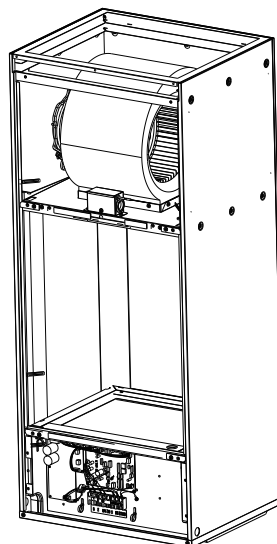
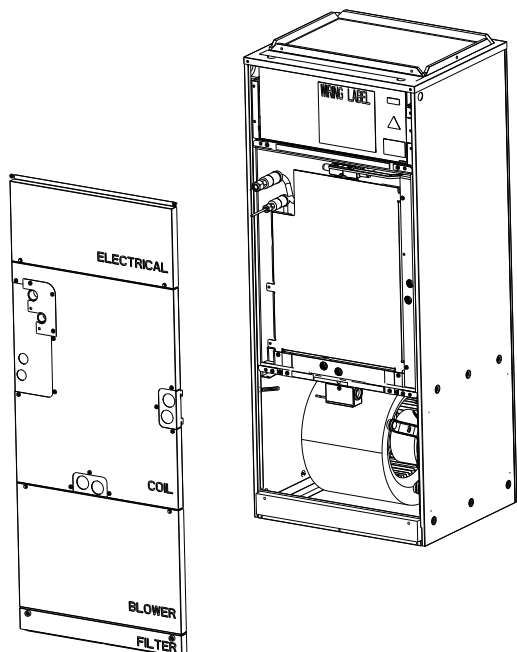


Étape 14d Ensuite, installez les tubes en plastique transparent qui sont inclus dans le sac d'accessoires. Assurez-vous que les tubes en plastique permettent l'évacuation dans le bac. Vérifiez également que les tubes en plastique transparent ne comportent aucune restriction. Il est nécessaire de couper les tubes en plastique, reportez-vous au tableau relatif à la longueur des tubes. Enfin, fixez les tubes en plastique transparent au bac de récupération supérieur comme indiqué par le Détail A, puis fixez-les aux supports métalliques de fixation de la bobine au bac de récupération supérieur à l'aide des serre-câbles en plastique fournis comme indiqué.



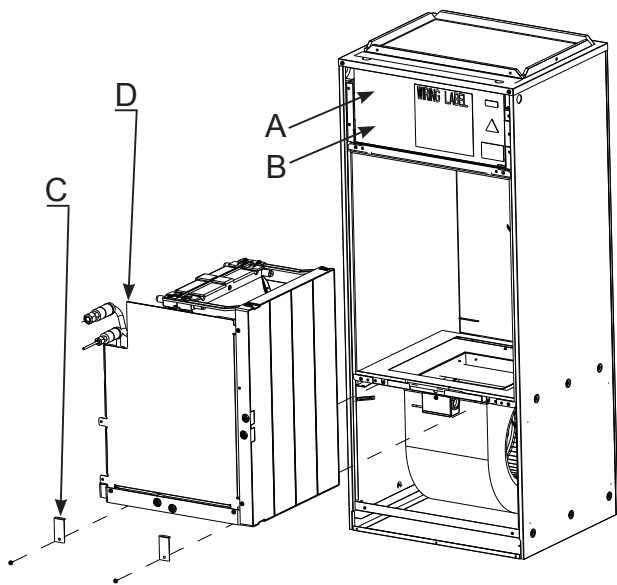
9.4. Installation en flux descendant

L'installation en flux descendant nécessite diverses modifications de la configuration d'origine de la centrale de traitement d'air. **AUCUN** kit ou pièce supplémentaire n'est nécessaire pour transformer la centrale de traitement d'air en configuration de flux descendant.



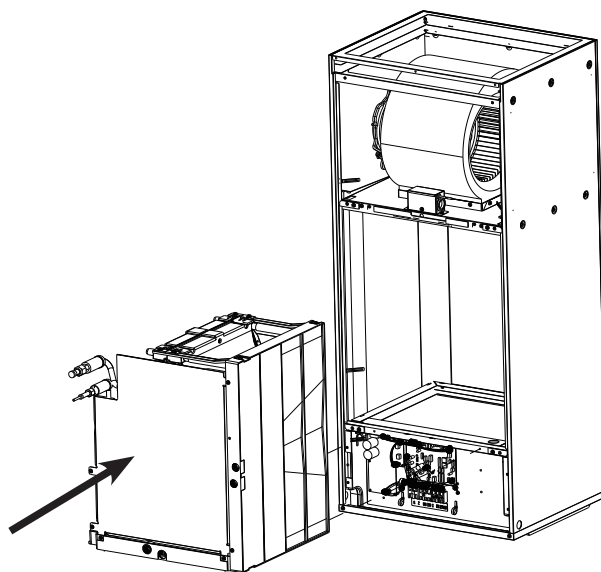
Étape 3 Faites tourner le caisson de sorte que le bloc ventilateur soit en haut.

Étape 1 Reportez-vous à 9.3. Étape 1 à 4 pour le retrait des panneaux de la partie électrique, de la bobine, du ventilateur et du filtre.

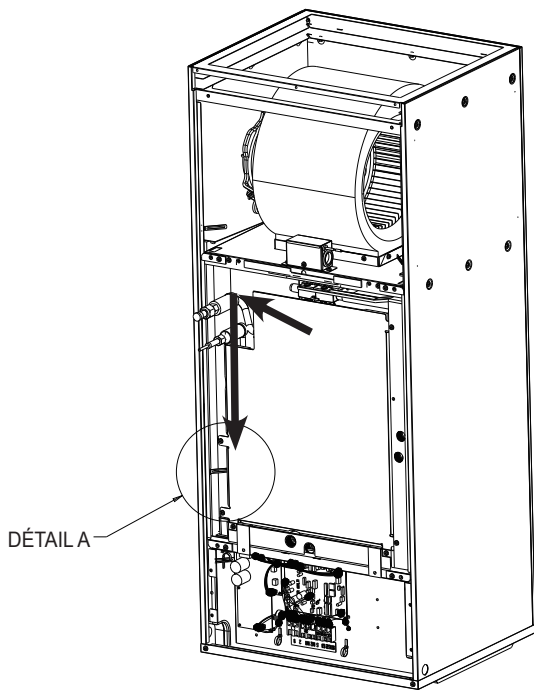


Étape 2

- A. Retirez le couvercle de la boîte de commande.
- B. Débranchez la thermistance (CN44) du panneau de contrôle et faites sortir le faisceau de la zone de la boîte de commande par le passe-câble en caoutchouc.
- C. Retirez les supports de fixation de la bobine si vous ne l'avez pas déjà fait.
- D. Faites glisser la bobine et retirez-la du caisson de la centrale de traitement d'air.

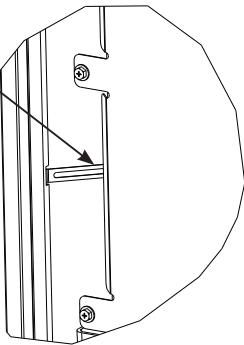


Étape 4 Remettez la bobine dans le caisson. Il n'est pas nécessaire de rattacher le(s) support(s).

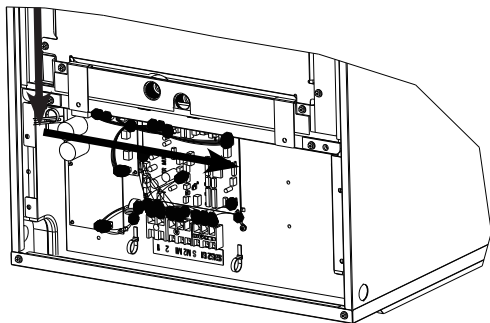


DÉTAIL A

PATTE MÉTALLIQUE
REPLIÉE AUTOUR
DU FAISCEAU
ÉLECTRIQUE

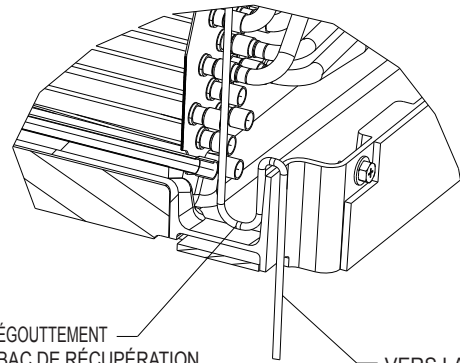


DÉTAIL A



Étape 4b Coupez les serre-câbles en plastique qui retiennent le surplus de câbles de la thermistance (CN44). Faites passer les fils de la thermistance dans la partie électrique de la centrale de traitement d'air du côté gauche de la bobine.

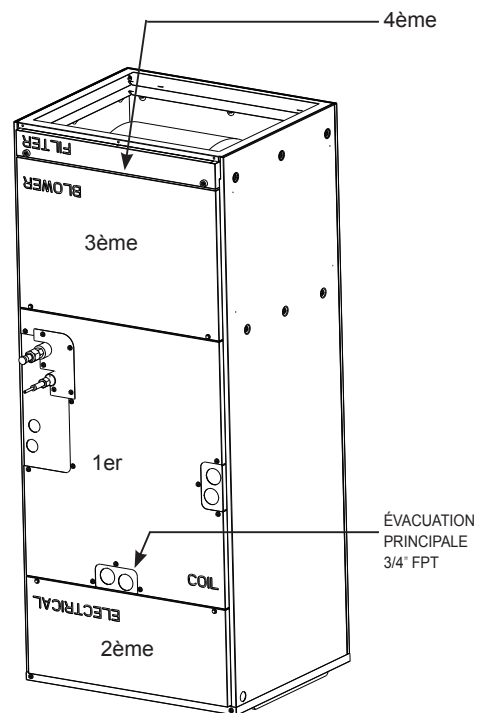
- Utilisez la patte métallique dans Détail A pour fixer les fils.
- L'encoche dans le bac de récupération permet aux fils de passer le bac de récupération, de traverser la plaque de tôle qui soutient désormais la bobine et d'entrer dans la partie électrique de la centrale de traitement d'air. Rebranchez la thermistance (CN44) au panneau de contrôle.



BOUCLE D'ÉGOUTTEMENT
DANS LE BAC DE RÉCUPÉRATION

VERS LA PARTIE
ÉLECTRIQUE

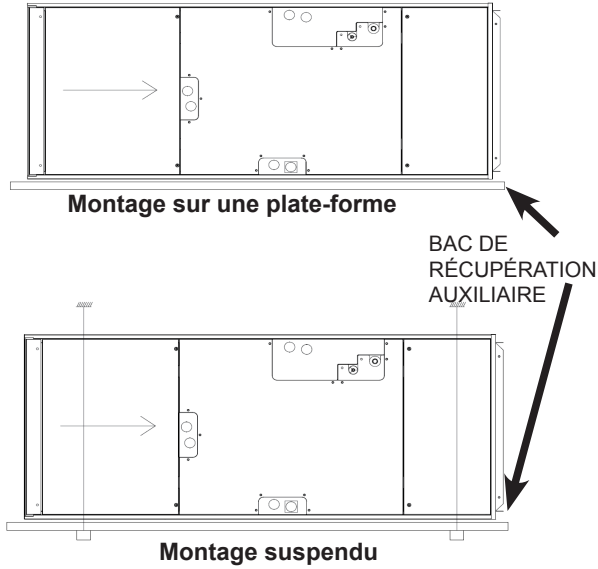
Étape 4c Afin d'empêcher l'eau de couler sur les fils de la thermistance dans la partie électrique, une boucle d'égouttement **DOIT** être installée pour diriger l'eau dans le bac de récupération.



Étape 5 Réinstallez les panneaux sur les tuyaux d'écoulement et lignes de réfrigérant. Ensuite, installez les panneaux de la bobine (1^{er}), de la partie électrique (2^{ème}), du ventilateur (3^{ème}) et du filtre (4^{ème}). **REMARQUE** : Le panneau de la bobine doit être installé dans le bon sens, c'est-à-dire dans l'orientation verticale d'origine à la sortie d'usine, tandis que le texte des autres panneaux sera à l'envers.

Montage horizontal

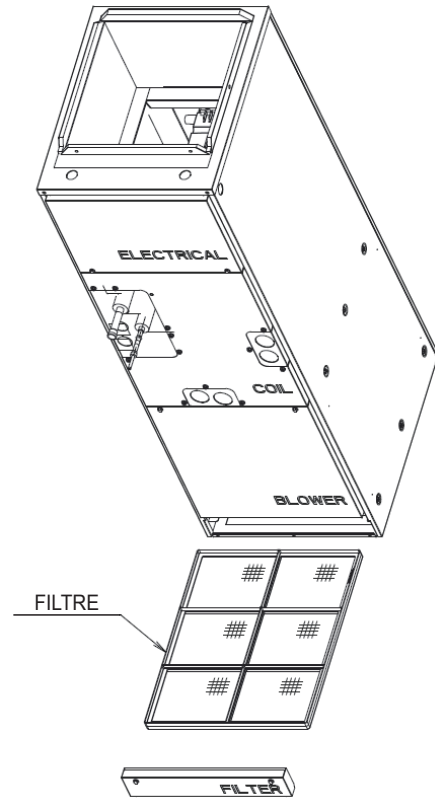
L'appareil peut être installé sur une plate-forme ou suspendu à des rails, comme illustré ci-dessous. Les rails doivent être de la longueur de l'appareil et d'une résistance suffisante pour supporter le poids de l'appareil et des conduits raccordés. L'isolation contre les vibrations est recommandée pour les installations horizontales. Certaines juridictions peuvent exiger le montage d'un bac de récupération auxiliaire sous l'appareil. Respectez toujours les réglementations nationales et locales.



10. Filtre à air

Un filtre à air (réutilisable) lavable est fourni avec la centrale de traitement d'air. Le filtre peut être installé lorsque l'appareil a été retiré de son emballage. Il est recommandé de nettoyer le filtre à air une fois par mois.

La baisse de pression doit être déterminée par l'installateur en fonction du rendement de pression statique global du système ainsi que de la taille des conduits d'admission et de retour d'air. Le rendement de pression statique en usine est de 0,50" PSE (pression statique extérieure). Un champ sélectionnable de 0,30 et 0,80 PSE est disponible. Reportez-vous aux instructions pour changer sur 0,30 ou 0,80 PSE dans la partie électrique (13.4.).



11. Mise en place des tuyaux de réfrigérant

Pour les restrictions de longueur des tuyaux et le degré d'élévation permis, reportez-vous à la section sur la conception du manuel d'ingénierie.

La méthode de raccordement des tuyaux de la centrale de traitement d'air se fait avec des raccords évasés.

Placez une entretoise appropriée pour les tuyaux de réfrigérant de telle sorte qu'aucune charge ne s'applique aux raccords de la centrale de traitement d'air.

⚠ Avertissement :

Lors de l'installation et du déplacement de l'appareil, ne le chargez pas avec un réfrigérant autre que celui spécifié sur l'appareil.
Le mélange d'un autre réfrigérant, d'air, etc. peut provoquer un mauvais fonctionnement du cycle de réfrigération et entraîner de graves dommages.

⚠ Précaution :

Utilisez des tuyaux de réfrigération en cuivre désoxydé au phosphore C1220 (Cu-DHP) comme indiqué par la norme ASTM B280 pour les tuyaux et tubes en cuivre ou en alliage de cuivre sans soudure. Veillez également à ce que les surfaces internes et externes des tuyaux soient propres et dépourvues de soufre, d'oxydes, de poussière/impuretés, de rognures, d'huile, de condensation ou de toute autre particule contaminante.
N'utilisez jamais les tuyaux de réfrigérant déjà en place.

⚠ Précaution : **BOBINE SOUS PRESSION**

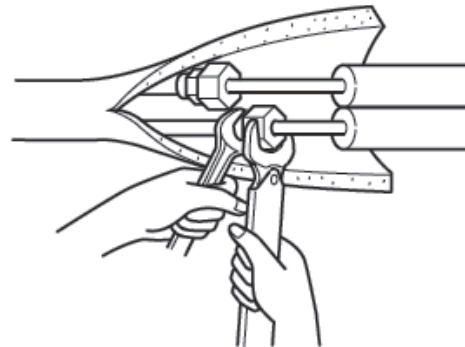
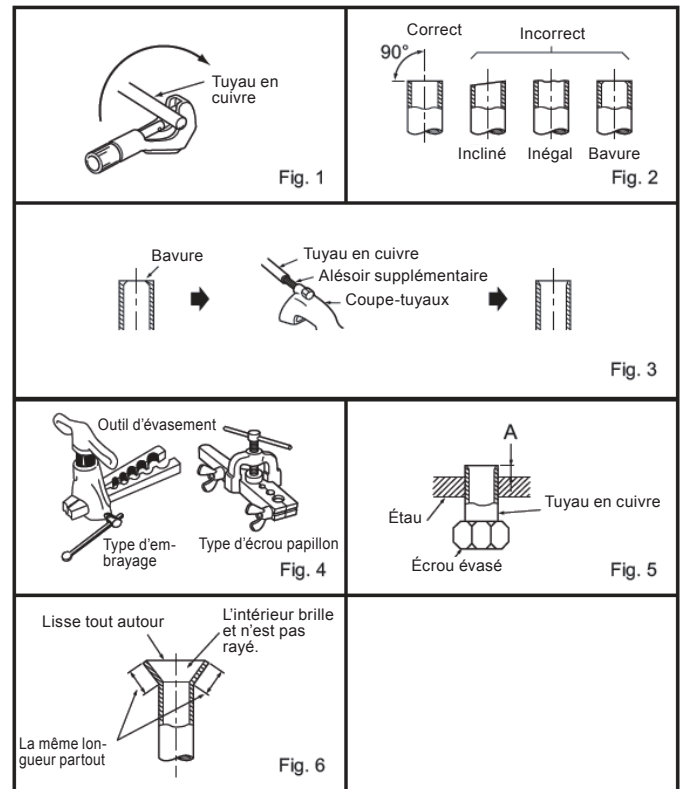
Portez toujours des lunettes de sécurité lorsque vous faites des travaux à proximité de dispositifs sous pression.
Les centrales de traitement d'air sont livrées avec une charge d'attente d'azote présente dans la bobine. Suivez attentivement ces instructions lors de la libération de la charge.

Retirez soigneusement l'écrou évasé à l'extrémité du tuyau pour libérer tout gaz.

Les deux lignes de réfrigérant doivent être isolées jusqu'au caisson. Assurez-vous que les ouvertures dans le caisson autour des lignes de réfrigérant sont couvertes. L'épaisseur minimale recommandée pour l'isolation est de 3/8 de pouces. Selon les conditions ambiantes, les réglementations locales et la longueur de ligne, une isolation plus épaisse peut être nécessaire.

Ne mettez pas d'huile sur la partie filetée des écrous évasés. Cela pourrait entraîner un desserrement de l'écrou évasé et une fuite de réfrigérant.

Diamètre de tuyau pouce (mm)	Écrou (mm)	A pouce (mm)	Couple de serrage	
		Outil de type d'embrayage pour R410A	N•m	lb•ft (kgf•cm)
1/4 (6,35)	(17)	0 à 0,02 (0 à 0,5)	13,7 à 17,7	10 à 13 (140 à 180)
3/8 (9,52)	(22)		34,3 à 41,2	25 à 30 (350 à 420)
1/2 (12,7)	(26)		49,0 à 56,4	36 à 42 (500 à 575)
5/8 (15,88)	(29)		73,5 à 78,4	54 à 58 (750 à 800)



- N'utilisez jamais les tuyaux de réfrigérant déjà en place.
- La quantité importante de chlore contenue dans les réfrigérants traditionnels et l'huile de réfrigération des tuyaux actuels provoquera la détérioration du nouveau réfrigérant.
- Gardez les tuyaux à utiliser pour l'installation à l'intérieur et laissez les deux extrémités des tuyaux couvertes jusqu'au moment du brasage.
- Si de la poussière, de la saleté ou de l'eau s'infilte dans le cycle de réfrigération, l'huile se détériorera et le compresseur risque de tomber en panne.
- Appliquez une petite quantité d'huile d'ester, d'huile d'éther ou d'alkylbenzène comme huile de réfrigération sur les évasements et les connexions à brides avant d'effectuer les raccordements.
- Le réfrigérant utilisé dans l'appareil est extrêmement hygroscopique et ne doit pas être mélangé avec de l'eau, autrement l'huile de réfrigération se détériorera.

11.1. Isolation

Pour éviter les gouttes de condensation, appliquez suffisamment de matériaux isolants anti-condensation sur les tuyaux de réfrigérant et d'écoulement. En cas d'utilisation de tuyaux de réfrigérant disponibles dans le commerce, assurez-vous de couvrir les tuyaux de gaz et de liquide avec des matériaux isolants d'une température de résistance à la chaleur de plus de 100 °C [212 °F] et d'une épaisseur conforme à celle donnée ci-dessous. Isolez tous les tuyaux intérieurs avec un isolant en polyéthylène présentant une densité minimale de 0,03 et une épaisseur conforme aux recommandations du tableau ci-dessous.

Taille des tuyaux	Épaisseur de l'isolant
6,4 à 25,4 mm [1/4 à 1 in.]	> 10 mm [7/16 in.]
28,6 à 38,1 mm [1-1/8 à 1-1/2 in.]	> 15 mm [5/8 in.]

- Si l'appareil est utilisé au dernier étage d'un immeuble et qu'il est soumis à des températures élevées et à une humidité excessive, il convient d'utiliser une isolation plus épaisse que celle indiquée dans le tableau ci-dessus.

- Veuillez respecter les spécifications techniques de l'utilisateur, le cas échéant.

11.2. Taille des tuyaux

Modèle		PVA-AA4
		30-36-42
Tuyau de réfrigérant	Tuyau de liquide	9,52 mm [3/8]
	Tuyau de gaz	15,88 mm [5/8]
Tuyau d'écoulement		Diam. ext. 32 mm [1-1/4]

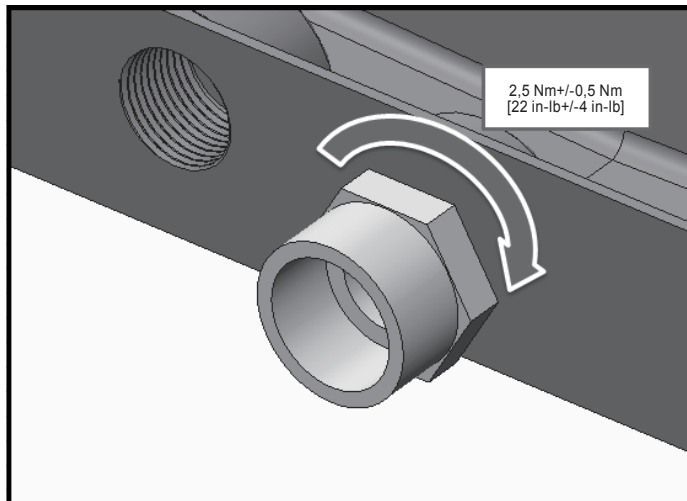
12. Raccords d'évacuation

IMPORTANT !

Un serrage excessif des raccords d'évacuation pourrait endommager et entraîner une panne du bac de récupération.

Suivez la procédure suivante pour fixer l'adaptateur du bac de récupération :

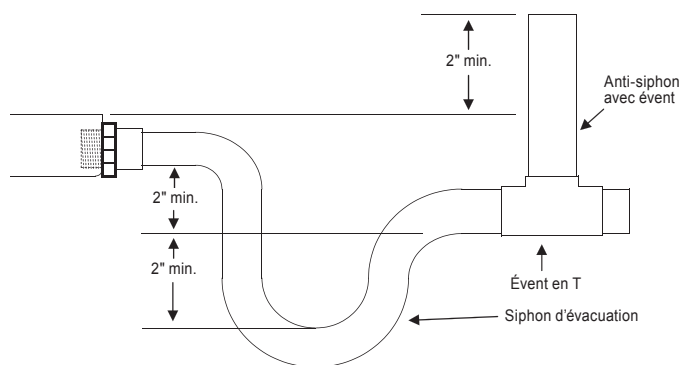
1. Appliquez (2) tours l'un sur l'autre de ruban d'étanchéité.
2. Serrez l'adaptateur du bac de récupération à un couple de 2,5 Nm +/-0,5 [22 in-lb +/-4 in-lb].



La centrale de traitement d'air comporte des raccords d'évacuation de 3/4" FPT. Lorsque l'appareil est utilisé en position verticale, il y en a un ensemble. Lorsque l'appareil est monté horizontalement, il y en a un ensemble. Chaque ensemble contient une évacuation principale et une évacuation secondaire ou auxiliaire. L'évacuation principale est l'évacuation la plus basse (même avec le bas du bac). L'évacuation secondaire est au niveau le plus haut. Elles sont indiquées sur le plan dimensionnel ci-dessus.

- Ces appareils fonctionnent avec une pression positive au niveau des raccords d'évacuation et **même si un siphon horizontal n'est pas nécessaire, il est recommandé pour éviter la perte de capacité. Respectez toujours les normes et réglementations locales.**

- Le siphon doit être installé le plus près possible de l'appareil. Assurez-vous que le haut du siphon est au-dessous du raccord au bac de récupération pour permettre l'évacuation complète du bac.
- Inclinez la ligne d'évacuation de minimum 1/4" par pied.
- Ne réduisez la taille du tuyau de 3/4", cela pourrait entraîner une obstruction prématurée dans les lignes.
- Ne soudez pas à proximité des tuyaux d'écoulement en plastique.



Remarque : Les conduits horizontaux doivent également avoir un anti-siphon avec évènement (colonne montante) installé au-dessus du conduit horizontal pour éliminer le piégeage de l'air. Les lignes d'évacuation horizontales doivent avoir une inclinaison de minimum 1/4" par pied.

Acheminez les lignes d'évacuation à l'extérieur ou vers une évacuation appropriée. Les lignes d'évacuation doivent être installées de façon à ne pas bloquer l'accès pour l'entretien à l'avant de l'appareil. Un dégagement de 24" à l'avant est nécessaire pour la maintenance ou l'entretien de routine.

Remarque : Vérifiez les réglementations locales avant de raccorder la ligne d'évacuation à un système d'évacuation existant. Isolez les lignes d'évacuation aux endroits où la condensation peut causer des dégâts d'eau.

Lorsque l'installation est terminée, l'installateur est responsable de s'assurer que le(s) bac(s) de récupération attrape(nt) tous les condensats, et que tous les condensats sont évacués correctement et qu'ils ne pénètrent pas dans les conduits/le système.

Montage vertical :

Lors du montage vertical, le raccord d'évacuation principale de la centrale de traitement d'air se trouve au centre de l'appareil. L'évacuation légèrement plus haute à gauche est l'évacuation secondaire.

Fixez le raccord d'évacuation et serrez-le **AU COUPE APPROPRIÉ COMME INDIQUÉ PRÉCÉDEMMENT** avec du mastic et installez la ligne d'évacuation.

IMPORTANT !

Un serrage excessif du raccord d'évacuation pourrait endommager et entraîner une panne du bac de récupération.

Le raccord secondaire doit être raccordé à un système d'évacuation séparé. Utilisez l'évacuation secondaire pour pouvoir constater l'écoulement de l'eau dans l'évacuation secondaire indiquant une obstruction dans l'évacuation principale. Un interrupteur de débordement de ligne d'évacuation principale (fourni par un tiers) peut être utilisé facultativement pour l'évacuation secondaire. Ce dispositif arrête le fonctionnement de l'appareil de refroidissement en cas d'obstruction dans l'évacuation principale. Reportez-vous à la section sur le câblage pour le branchement de ce dispositif.

Montage horizontal (côté droit ou côté gauche) :

Si l'appareil est installé horizontalement, retirez l'orifice défonçable sur le panneau avant pour pouvoir accéder aux raccords du bac de récupération latéral. Fixez le connecteur **comme indiqué ci-dessus** et acheminez la ligne d'évacuation. Toutes les ouvertures du bac de récupération vertical doivent être recouvertes pour éliminer la perte d'air qui entraîne une diminution de la capacité de l'appareil.

IMPORTANT !

Un serrage excessif du raccord d'évacuation pourrait endommager et entraîner une panne du bac de récupération.

Le raccord secondaire doit être raccordé à un système d'évacuation séparé. Utilisez l'évacuation secondaire pour pouvoir constater l'écoulement de l'eau dans l'évacuation secondaire indiquant une obstruction dans l'évacuation principale. Un interrupteur de débordement de ligne d'évacuation principale (fourni par un tiers) peut être utilisé facultativement pour l'évacuation secondaire. Ce dispositif arrête le fonctionnement de l'appareil de refroidissement en cas d'obstruction dans l'évacuation principale. Reportez-vous à la section sur le câblage pour le branchement de ce dispositif.

13. Câblage électrique

⚠ Avertissement :

Les travaux électriques doivent être menés à bien par des électriciens qualifiés, conformément aux “normes de réglementation d’installation électrique” et aux explications données dans les manuels d’installation. Si l’installation électrique n’est pas suffisamment puissante ou si elle n’est pas conforme, elle peut présenter un risque d’électrocution ou d’incendie.

- Veuillez respecter les réglementations nationales et locales lors du câblage de ces appareils.
- Installez l’appareil de sorte qu’aucun des câbles du circuit de commande (câbles de la commande à distance, de transmission) n’entre en contact direct avec le câble d’alimentation situé à l’extérieur de l’appareil.
- Vérifiez qu’il n’y a pas de tension au niveau des raccordements des câbles.
- Certains câbles (d’alimentation, de la commande à distance ou de transmission) situés au-dessus du plafond peuvent être endommagés accidentellement ou par des animaux. Utilisez des conduits autant que possible afin d’éviter cela.
- Ne raccordez jamais le câble d’alimentation à des bornes pour câbles de transmission. Les câbles risquent de se rompre.
- Assurez-vous de raccorder les câbles de commandes à l’appareil intérieur, à la commande à distance et à l’appareil extérieur.
- Effectuez le câblage conformément aux règles de sécurité détaillées dans UL 1995.
- Assurez-vous d’installer un disjoncteur de fuite de terre sur l’alimentation.
- Installez l’appareil de sorte qu’aucun des câbles du circuit de commande (câbles de la commande à distance, de transmission) n’entre en contact direct avec le câble d’alimentation situé à l’extérieur de l’appareil.
- Vérifiez qu’il n’y a pas de jeu au niveau de tous les raccordements des câbles.
- Certains câbles (câbles d’alimentation, de la commande à distance, de transmission) situés au-dessus du plafond risquent d’être rongés par les souris. Utilisez autant de tuyaux métalliques que possible pour y introduire les câbles en vue de les protéger.

⚠ Précaution :

Veillez à mettre l’appareil à la terre. Ne raccordez pas le câble de mise à terre à un tuyau de gaz ou d’eau, à un paratonnerre ou un câble de terre téléphonique. Une mauvaise mise à la terre peut constituer un danger d’électrocution.

Si le cordon d’alimentation est endommagé, il doit être remplacé par le fabricant, un agent d’entretien ou une personne qualifiée de manière à éviter tout risque.

Spécifications d’entrée/sortie externe

⚠ Précaution :

Les câbles doivent être recouverts d’une gaine isolante avec une isolation supplémentaire.

Utilisez des relais ou des interrupteurs répondant aux normes CEI ou équivalentes.

La puissance électrique entre les éléments accessibles et le circuit de commande doit être de 2750 V minimum.

Câblage

Le câblage électrique de la centrale de traitement d’air provient de l’appareil extérieur. Reportez-vous aux instructions d’installation de l’appareil extérieur.

⚠ Précaution :

N’ALIMENTEZ PAS LE CHAUFFAGE ÉLECTRIQUE DEPUIS L’APPAREIL EXTÉRIEUR. SUIVEZ LE SCHÉMA DE CÂBLAGE APPROPRIÉ QUI FIGURE DANS LES INSTRUCTIONS DU CHAUFFAGE ÉLECTRIQUE.

13.1. Commandes à distance

Raccordement des câbles de la commande à distance et des câbles de transmission intérieurs et extérieurs

Connectez les points "1" et "2" de la borne TB15 de l'appareil intérieur à une commande à distance. (Câble bifilaire non polarisé)

Remarque :

Assurez-vous que les câbles ne sont pas coincés lors du montage du couvercle du boîtier à bornes. Coincer les câbles pourrait les couper.

⚠ Précaution :

Installez les câbles de sorte qu'ils ne soient pas tendus ou sous tension. Les câbles sous tension peuvent en effet se rompre ou chauffer et brûler. Fixez les câbles d'alimentation à la boîte de commande à l'aide de colliers tampons ou en forçant. (Effectuez une connexion PG ou similaire.) Raccordez les câbles de transmission au bornier de transmission par l'orifice défonçable de la boîte de commande à l'aide de colliers ordinaires.

⚠ Précaution :

N'utilisez que des disjoncteurs et des fusibles de capacité correcte. L'utilisation de fusibles, de fils ou de fils en cuivre à trop grande capacité peut provoquer un risque de mauvais fonctionnement ou d'incendie.

Lorsque le câblage est terminé, vérifiez à nouveau qu'il n'y a pas de tension au niveau des raccordements et fixez le couvercle sur la boîte de commande en procédant dans l'ordre inverse du démontage. Couvrez également toutes les ouvertures créées lors du câblage dans la centrale de traitement d'air. Cela permettra d'éviter les fuites d'air.

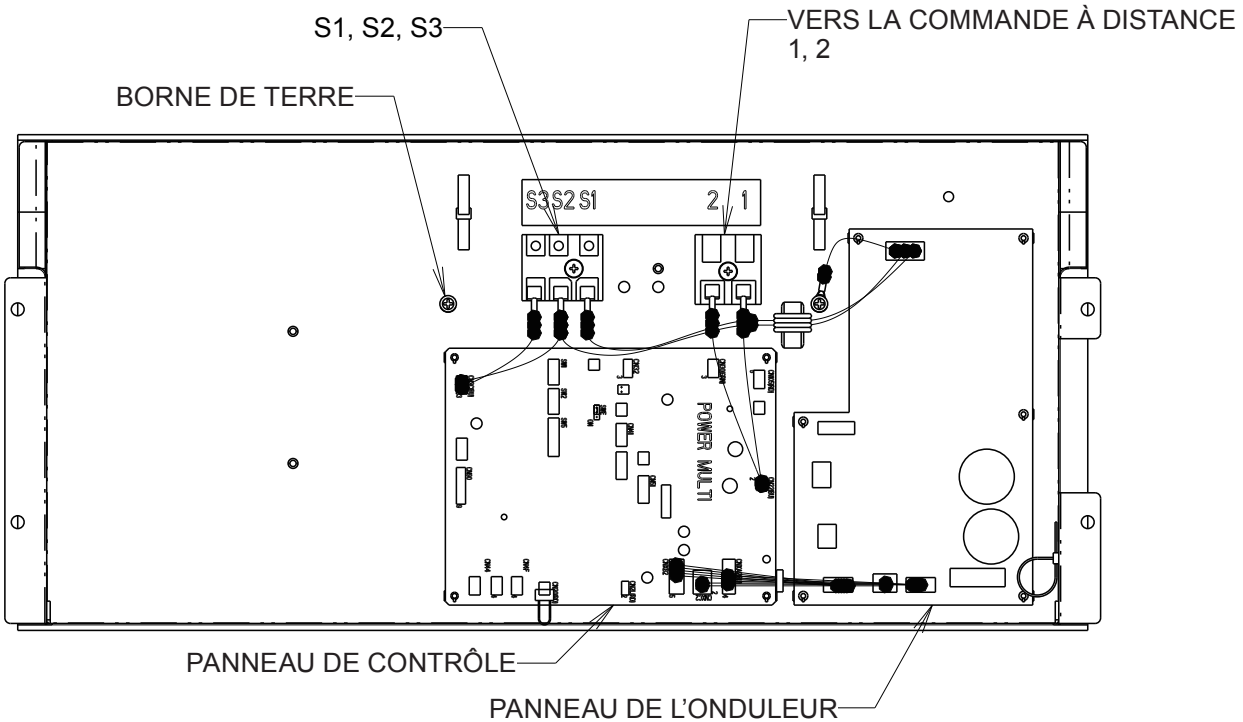
⚠ Précaution :

Câblez l'alimentation de sorte qu'aucune tension ne soit exercée. Dans le cas contraire, une déconnexion, une surchauffe ou un incendie pourrait se produire.

Important :

Branchez le câble blindé de terre à la borne de terre de l'appareil extérieur.

Si le câble de la commande à distance dépasse 10 m [32 ft.], utilisez un câble de 1,25 mm² [AWG16] de diamètre sur la section dépassée et ajoutez cette section dépassée à moins de 200 m [656 ft.].

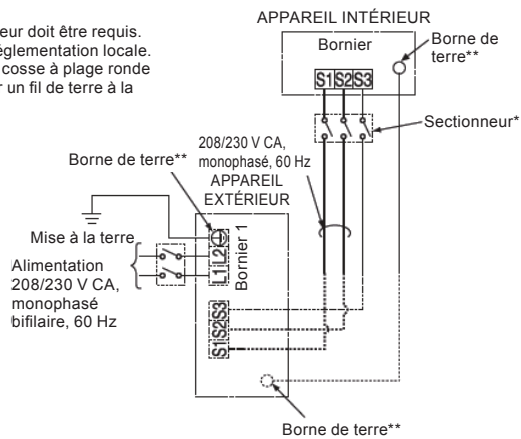


13.2. Raccordement à la tension de ligne

Assurez-vous que l'alimentation est coupée.

Remarque :

- * Un sectionneur doit être requis. Vérifiez la réglementation locale.
- ** Utilisez une cosse à plage ronde afin de relier un fil de terre à la borne.



REMARQUE : Si la centrale de traitement d'air est installée avec un ensemble de chauffage électrique, n'alimentez pas le chauffage électrique depuis l'appareil extérieur.

Tout câblage doit être conforme aux réglementations nationales et locales.

1. Retirez l'orifice défonçable souhaité sur la centrale de traitement d'air.
2. Fixez le raccord du tuyau sur la centrale de traitement d'air et acheminez les câbles comme indiqué sur le schéma ci-dessus. Assurez-vous que l'orifice du raccord du tuyau est étanche à l'air et ajoutez du mastic si nécessaire.
3. Serrez fermement toutes les vis des bornes. Après les avoir serrées, vérifiez que les fils sont bien fixés.

Caractéristiques électriques

Symboles : MCA : Ampères max. du circuit (=1,25 × FLA) FLA : Courant à pleine charge
IFM : Moteur du ventilateur intérieur Sortie : Sortie nominale du moteur du ventilateur

Modèle	Appareil intérieur					
	Hz	Volts	Plage de tension	MCA (A)	Sortie (kW)	FLA (A)
A30	60	208/230 V	188 à 253 V	4,13/4,13	0,244	3,3
A36				5,5/5,5	0,430	4,4
A42				5,63/5,63	0,430	4,5

Tableau des fonctions

Mode	Réglages	N° de mode (fonction)	N° de réglage	Réglage initial	Vérification
		Commande à distance câblée (Thermostat RF)			
Redémarrage automatique après une coupure de courant	Non disponible	01 (101)	1	1	
	Disponible		2		
Détection de la température intérieure	Moyenne de fonctionnement de l'appareil intérieur	02 (-)	1	1	
	Réglage par la commande à distance de l'appareil intérieur		2		
	Capteur interne de la commande à distance		3		
Connectivité LOSSNAY	Non supportée	03 (103)	1	1	
	Supportée (l'appareil intérieur n'est pas équipé d'une prise d'air extérieure)		2		
	Supportée (l'appareil intérieur est équipé d'une prise d'air extérieure)		3		
Tension d'alimentation	240 V (230 V)	04 (104)	1	1	
	220 V (208 V)		2		
Mode automatique	Cycle automatique activé	05 (105)	1	1	
	Cycle automatique désactivé		2		
Symbole de filtre	100 h	07 (107)	1	3	
	2500 h		2		
	"Pas d'indicateur de symbole de filtre"		3		
Contrôle de l'humidificateur	Opération de chauffage et Thermo actif	16 (116)	1	1	
	Opération de chauffage		2		
Contrôle du chauffage	Activer le contrôle de base du chauffage	23 (123)	1	2	
	Activer les modes d'économie et de confort du chauffage*1		2		

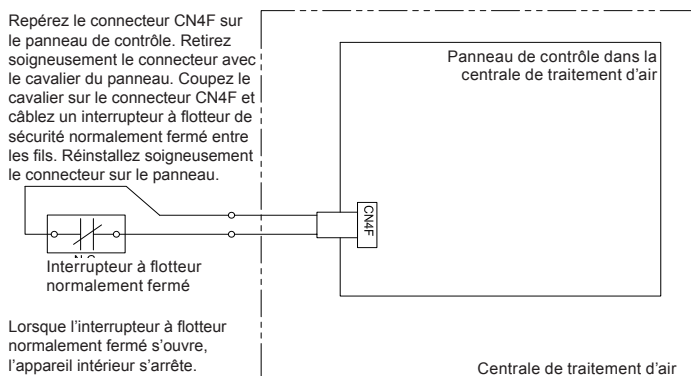
*1 Lorsque le chauffage est sous tension, le ventilateur fonctionne à grande vitesse indépendamment du réglage de ventilation sur la commande à distance.

Lorsque le chauffage n'est pas utilisé, définissez le numéro de réglage du numéro de mode (fonction) 23 (123) sur 1.

- Reportez-vous à la section 13.4. pour les réglages de la pression statique extérieure.

13.3. Connexion de l'interrupteur de sécurité de débordement de condensat (CN4F)

La carte de circuit est équipée d'une connexion pour fixer un interrupteur à flotteur de sécurité de condensat. L'interrupteur doit être un interrupteur nominal basse tension normalement fermé. L'interrupteur doit être installé dans un endroit où il peut détecter une obstruction d'évacuation provoquant une hausse du niveau d'eau. Cette élévation du niveau d'eau entraînera son ouverture. L'emplacement de l'interrupteur doit être déterminé par l'installateur. Lorsque l'interrupteur s'ouvre, cela entraîne la fermeture du LEV et l'arrêt de l'opération de refroidissement. Le ventilateur continue de fonctionner et un code d'erreur s'affichera sur la commande à distance. La correction du problème et la fermeture de l'interrupteur sont nécessaires avant la reprise du fonctionnement normal. Reportez-vous à l'installation ci-dessous :



13.4. Modification de la pression statique extérieure (PSE) du ventilateur

La centrale de traitement d'air est équipée d'un réglage de la pression statique ajustable. Les réglages disponibles sont indiqués dans le tableau ci-dessous.

Modèle	PSE [in. WG] disponible		
	0,30	0,50	0,80
PVA-A30	0,30	0,50	0,80
PVA-A36	0,30	0,50	0,80
PVA-A42	0,30	0,50	0,80*

*Pression statique extérieure pour PVA-A42 en flux descendant : 0,70

La centrale de traitement d'air est réglée sur 0,50 PSE en usine.

La pression statique de la centrale de traitement d'air peut être modifiée dans les réglages de mode/des fonctions de la commande à distance. Reportez-vous au manuel d'installation de la commande à distance pour en savoir plus sur la modification de cette option. Selon la commande à distance utilisée, le mode/la fonction est soit 08 pour le mode (PAR-31 et MA simple) ou 108 pour la fonction (MHK1). Veuillez noter que les réglages sont différents lors de l'installation de la centrale de traitement d'air en position de flux descendant.

Réglage de la pression statique extérieure pour l'installation verticale, horizontale du côté gauche, horizontale du côté droit

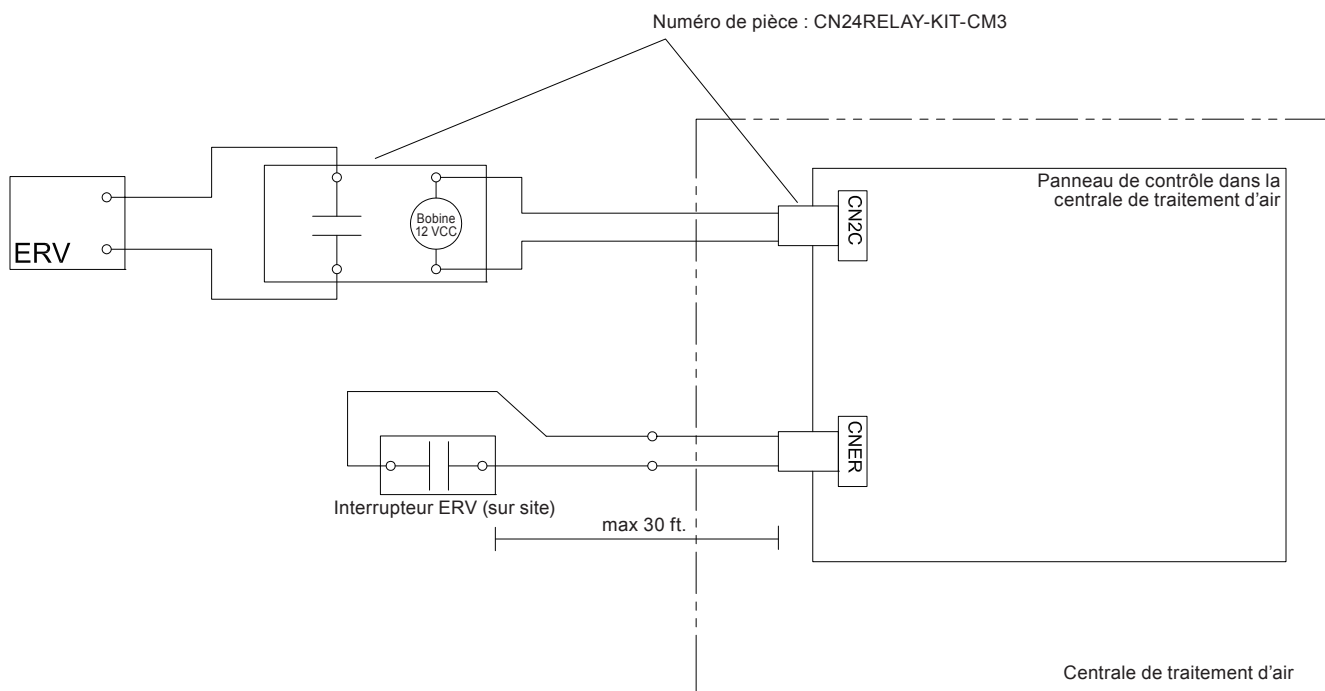
Pression statique extérieure	N° de réglage de mode/ fonction 08/108	N° de réglage de mode/fonction 10/110 (Réglage d'usine)
0,3 in. WG [75 Pa]	1	1
0,5 in. WG [125 Pa] (Réglage d'usine)	2	1
0,8 in. WG [200 Pa]	3	1

Réglage de la pression statique extérieure pour l'installation en flux descendant

Pression statique extérieure	N° de réglage de mode/ fonction 08/108	N° de réglage de mode/ fonction 10/110
0,3 in. WG [75 Pa]	1	2
0,5 in. WG [125 Pa] (Réglage d'usine)	2	2
0,8 in. WG [200 Pa]*	3	2

*Pression statique extérieure pour PVA-A42 en flux descendant : 0,70

13.5. Ventilation avec récupération d'énergie (ERV)



Contrôle de la ventilation avec récupération d'énergie

Séquence de fonctionnement :

1. L'interrupteur de la demande ERV ferme CNER.
2. 12 VCC est fourni à CN2C pour activer la ventilation avec récupération d'énergie.
3. Si l'appareil passe en dégivrage, CN2C arrête la sortie de 12 VCC.

Interrupteur ERV :

Entrée du contact A sans tension

Tension nominale du contact ≥ 15 VCC

Courant nominal du contact $\geq 0,1$ A

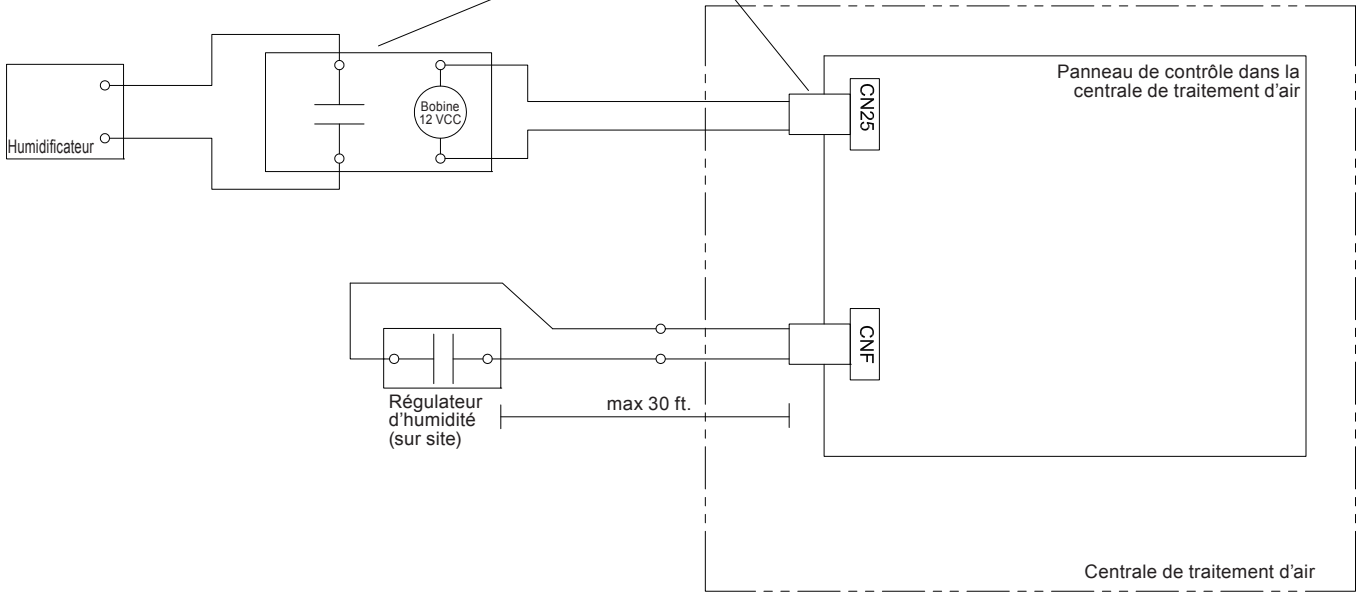
Charge minimale applicable ≤ 1 mA en CC

Sortie ERV	Condition	Vitesse de ventilation	Sortie CN2C (= Sortie du ventilateur)
Entrée CNER			
OFF	Opération de refroidissement/ chauffage/ventilation	Réglage RC	ON
	Dégivrage	ARRÊT	OFF
	ARRÊT	ARRÊT	OFF
ON	Opération de refroidissement/ chauffage/ventilation	Réglage RC	ON
	Dégivrage	ARRÊT	OFF
	ARRÊT	Faible	ON

RC : Commande à distance

13.6. Humidificateur

Numéro de pièce : CN24RELAY-KIT-CM3



Contrôle de l'humidificateur

Séquence de fonctionnement :

1. Le régulateur d'humidité ferme CNF.
2. Le ventilateur démarre à une vitesse élevée.
3. CN25 fournit 12 VCC pour activer l'humidificateur (ne dépassez pas 1 watt par relais).
4. Lorsque le régulateur d'humidité s'ouvre, le ventilateur continue de fonctionner pendant 30 secondes pour éliminer tout air humide des conduits.
5. Si le dégivrage démarre pendant le fonctionnement de l'humidificateur CN25 coupe l'alimentation.

Régulateur d'humidité :

Entrée du contact A sans tension

Tension nominale du contact ≥ 15 VCC

Courant nominal du contact $\geq 0,1$ A

Charge minimale applicable ≤ 1 mA en CC

N° de mode	Sortie du régulateur d'humidité	Condition (pas de dégivrage/pas d'erreur)	Sortie CN25	Vitesse de ventilation
16	Entrée CNF			
1*	OFF	Opération de chauffage et Thermo inactif	OFF	Réglage RC
		Opération de chauffage et Thermo actif		Réglage RC
	ON	Opération de chauffage et Thermo inactif	OFF	Réglage RC
		Opération de chauffage et Thermo actif	ON	Élevée
2	OFF	Opération de chauffage et Thermo inactif	OFF	Réglage RC
		Opération de chauffage et Thermo actif		Réglage RC
	ON	Opération de chauffage et Thermo inactif	ON	Élevée
		Opération de chauffage et Thermo actif		Élevée
-	-	Sauf pour l'opération de chauffage	OFF	Réglage RC

RC : Commande à distance

Le ventilateur continue de fonctionner pendant 30 secondes après l'arrêt de l'humidificateur.

*Réglage d'usine

14. Essai de fonctionnement

14.1. Avant l'essai de fonctionnement

Lorsque l'installation, le câblage et les tuyauteries des appareils intérieurs et extérieurs sont terminés, vérifiez l'absence de fuite de réfrigérant, la fixation des câbles d'alimentation et de commande, l'absence d'erreur de polarité et contrôlez qu'aucune phase de l'alimentation n'est déconnectée.

Utilisez un mégohmmètre de 500 V pour s'assurer que la résistance entre les bornes d'alimentation électrique et la terre soit au moins de 1,0 MΩ.

N'effectuez pas ce test sur les bornes des câbles de commande (circuit à basse tension).

⚠ Avertissement :

N'utilisez pas le climatiseur si la résistance de l'isolation est inférieure à 1,0 MΩ.

Après l'installation ou après la mise hors tension de l'appareil pendant une période prolongée, la résistance de l'isolation chute en dessous de 1 MΩ en raison de l'accumulation de réfrigérant dans le compresseur. Il ne s'agit pas d'un dysfonctionnement. Effectuez les procédures suivantes.

1. Retirez les câbles du compresseur et mesurez la résistance de l'isolation du compresseur.
2. Si la résistance de l'isolation est inférieure à 1 MΩ, le compresseur est défectueux ou la résistance a chuté en raison de l'accumulation de réfrigérant dans le compresseur.
3. Après avoir connecté les câbles au compresseur, celui-ci commence à chauffer dès qu'il est sous tension. Après avoir mis sous tension le compresseur pendant les durées indiquées ci-dessous, mesurez de nouveau la résistance de l'isolation.

- La résistance de l'isolation chute en raison de l'accumulation de réfrigérant dans le compresseur. La résistance augmente au-dessus de 1 MΩ après que le compresseur ait chauffé pendant deux à trois heures.

(Le temps mis par le compresseur pour chauffer varie selon les conditions atmosphériques et l'accumulation de réfrigérant.)

- Pour faire fonctionner le compresseur dans lequel s'est accumulé du réfrigérant, il est nécessaire de le faire chauffer pendant au moins 12 heures afin d'éviter toute défaillance.

4. Si la résistance de l'isolation est supérieure à 1 MΩ, le compresseur n'est pas défectueux.

⚠ Précaution :

- **Le compresseur fonctionnera uniquement si les connexions des phases de l'alimentation électrique sont correctes.**
- **Mettez l'appareil sous tension au moins 12 heures avant de le faire fonctionner.**
 - La mise en marche de l'appareil immédiatement après sa mise sous tension pourrait provoquer de sérieux dégâts aux éléments internes. Ne mettez pas l'appareil hors tension pendant la saison de fonctionnement.

14.2. Essai de fonctionnement

Pour en savoir plus, reportez-vous au manuel d'installation fourni avec chaque commande à distance.

14.3. Autocontrôle

Pour en savoir plus, reportez-vous au manuel d'installation fourni avec chaque commande à distance. Thermostat RF non établi.

[Type de message A] Erreurs détectées par l'appareil intérieur

Télécommande sans fil infrarouge	Commande à distance câblée Thermostat RF	Symptôme	Remarque
Bips/Clignotement du témoin OPERATION INDICATOR (Nombre de fois)	Code de contrôle		
1	P1	Erreur de capteur d'entrée d'air	
2	P2, P9	Erreur de capteur de tuyau (tuyau de liquide ou à 2 phases)	
3	E6, E7	Erreur de communication entre les appareils intérieur et extérieur	
4	P4	Erreur de capteur d'évacuation	
5	P5	Erreur de pompe de vidange	
6	P6	Protection contre le gel/les surchauffes	
7	EE	Erreur de communication entre les appareils intérieur et extérieur	
8	P8	Erreur de température des tuyaux	
9	E4	Erreur de réception des signaux de la commande à distance	
10	–	–	
11	–	–	
12	Fb	Erreur du système de commande de l'appareil intérieur (erreur de mémoire, etc.)	
Aucun son	– –	Aucune correspondance	

[Type de message B] Erreurs détectées par un appareil autre que l'appareil intérieur (appareil extérieur, etc.)

Télécommande sans fil infrarouge	Commande à distance câblée Thermostat RF	Symptôme	Remarque
Bips/Clignotement du témoin OPERATION INDICATOR (Nombre de fois)	Code de contrôle		
1	E9	Erreur de communication entre les appareils intérieur et extérieur (Erreur de transmission) (Appareil extérieur)	
2	UP	Interruption des surintensités du compresseur	
3	U3, U4	Ouverture/Court-circuit des thermistances de l'appareil extérieur	
4	UF	Interrupteur des surintensités du compresseur (Lorsque le compresseur est verrouillé)	
5	U2	Température de la sortie d'air anormalement élevée/49C en fonctionnement/réfrigérant insuffisant	
6	U1, Ud	Pression anormalement élevée (63H en fonctionnement)/Protection contre les surchauffes	
7	U5	Température du dissipateur de chaleur anormale	
8	U8	Arrêt de la protection du ventilateur de l'appareil extérieur	
9	U6	Interruption des surintensités du compresseur/Anomalie du module d'alimentation	
10	U7	Anomalie du chauffage super chaud en raison d'une faible température de sortie d'air	
11	U9, UH	Anomalie telle qu'une surintensité ou une baisse de tension et signal synchrone anormal sur le circuit principal/Erreur de capteur de courant	
12	–	–	
13	–	–	
14	Autres	Autres erreurs (Reportez-vous au manuel technique de l'appareil extérieur.)	

*1 Si le bip ne retentit pas de nouveau après la réception des deux bips initiaux confirmant le signal de démarrage de l'autocontrôle et si le témoin OPERATION INDICATOR ne s'allume pas, les erreurs ne seront pas enregistrées.

*2 Si le bip retentit trois fois de suite "bip, bip, bip (0,4 + 0,4 + 0,4 s)" après la réception des deux bips initiaux confirmant le signal de démarrage de l'autocontrôle, l'adresse de réfrigérant spécifiée n'est pas correcte.

- Sur la télécommande sans fil infrarouge
La sonnerie continue de la section de réception de l'appareil intérieur retentit.
Clignotement du témoin de fonctionnement
- Sur la commande à distance câblée
Code de vérification affiché sur l'afficheur LCD.

• Si l'appareil ne fonctionne pas correctement après l'essai de fonctionnement ci-dessus, reportez-vous au tableau suivant pour résoudre le problème.

Symptôme		Cause
Commande à distance câblée	LED 1, 2 (carte du circuit imprimé de l'appareil extérieur)	
PLEASE WAIT (VEUILLEZ PATIENTER)	Pendant 2 minutes environ après la mise sous tension	Après l'éclairage de la LED 1, 2, la LED 2 s'éteint, et seule la LED 1 reste éclairée. (Fonctionnement correct)
PLEASE WAIT (VEUILLEZ PATIENTER) → Code d'erreur	À la fin de 2 minutes environ après la mise sous tension	Seule la LED 1 est éclairée. → La LED 1, 2 clignote.
Les messages n'apparaissent pas même lorsque l'interrupteur de fonctionnement est activé (le témoin de fonctionnement ne s'allume pas).		Seule la LED 1 est éclairée. → La LED 1, 2 clignote deux fois, la LED 2 clignote une fois.

Dans les conditions répertoriées ci-avant, le phénomène suivant se produit au niveau de la télécommande sans fil infrarouge.

- Aucun signal n'est accepté par la télécommande.
- Le témoin OPE clignote.
- La sonnerie émet un court bruit métallique.

Remarque :

Le fonctionnement n'est pas possible durant les 30 secondes suivant l'annulation de la sélection d'une fonction. (Fonctionnement correct)

Pour la description de chaque LED (LED 1, 2, 3) sur la commande intérieure, reportez-vous au tableau suivant.

LED 1 (alimentation du microprocesseur)	Indique si l'alimentation de la commande est fournie. Assurez-vous que cette LED est toujours éclairée.
LED 2 (alimentation de la commande à distance)	Indique si l'alimentation est fournie à la commande à distance. Cette LED s'éclaire seulement dans le cas de l'appareil intérieur raccordé à l'adresse de réfrigérant de l'appareil extérieur "0".
LED 3 (communication entre les appareils intérieur et extérieur)	Indique l'état de communication entre les appareils intérieur et extérieur. Assurez-vous que cette LED clignote toujours.

14.4. FONCTION DE REDÉMARRAGE AUTOMATIQUE

Panneau de contrôle intérieur

Ce modèle est équipé de la FONCTION DE REDÉMARRAGE AUTOMATIQUE.

Lorsque l'appareil intérieur est contrôlé à l'aide de la commande à distance, le mode de fonctionnement, la température réglée et la vitesse du ventilateur sont mémorisés par le panneau de contrôle intérieur.

La fonction de redémarrage automatique remet l'appareil en service au moment où la tension secteur est rétablie après une coupure de courant.

Réglez la FONCTION DE REDÉMARRAGE AUTOMATIQUE à l'aide de la commande à distance. (Mode n° 01)

This product is designed and intended for use in the residential,
commercial and light-industrial environment.

Please be sure to put the contact address/telephone number on
this manual before handing it to the customer.

MITSUBISHI ELECTRIC CORPORATION

HEAD OFFICE: TOKYO BLDG., 2-7-3, MARUNOUCHI, CHIYODA-KU, TOKYO 100-8310, JAPAN