

Inverter Driven Heat Pump

12,000 BTU Single Zone Floor Mount System

Job Name \_\_\_\_\_  
 Location \_\_\_\_\_  
 Engineer \_\_\_\_\_  
 Submitted To \_\_\_\_\_  
 Submitted By \_\_\_\_\_  
 Reference \_\_\_\_\_

Date \_\_\_\_\_  
 Approval \_\_\_\_\_  
 Construction \_\_\_\_\_  
 Unit No \_\_\_\_\_  
 Drawing No \_\_\_\_\_

**PRODUCT FEATURES**

- Auto Changeover
- 24 hr. Timer
- Auto Louver
- Minimum Heat Mode
- Auto Restart
- Wireless Remote Controller Included
- Powerful Mode
- Floor Level Heating



MODEL NUMBERS			
Indoor Unit	AGU12RLF		
Outdoor Unit	AOU12RLFFH		
System	12RLFFH		
EFFICIENCIES			
SEER			22.7
SEER 2			22.7
EER			13.1
EER 2			13.1
HSPF			11.3
HSPF 2			11
COP	kW/kW		3.24
COP	Btu/h		11.1
COP2	kW/kW		3.24
COP2	Btu/h		11.1
OUTDOOR TEMPERATURE OPERATION RANGE			
Cooling	*F(°C)	14 to 115 (-10 to 46)	
Heating		-15 to 75 (-26 to 24)	
CAPACITIES			
Cooling	Rated	Btu/h	12000
	Min.-Max.		3,100-14,300
Heating	Rated	Btu/h	16000
	Min.-Max.		3,100-19,500
LINESET REQUIREMENTS			
Connection Method	Flare		
Liquid	in (mm)	Ø1/4 (Ø6.35)	
Gas		Ø3/8 (Ø9.52)	
Pre-charge length	ft (m)	49 (15)	
Minimum Length		10 (3)	
Max. length		66 (20)	
Max. height difference		49 (15)	
INDOOR DIMENSIONS & WEIGHT			
Net (H x W x D)	in (mm)	23-5/8 x 29-1/8 x 7-7/8 (600 x 740 x 200)	
Gross (H x W x D)		27-9/16 x 32-5/16 x 12-3/16 (700 x 820 x 310)	
Net Weight	lb (kg)	31 (14)	
Gross Weight		37 (17)	
OUTDOOR DIMENSIONS & WEIGHT			
Net (H x W x D)	in (mm)	24-7/16 x 31-1/8 x 11-7/16 (620 x 790 x 290)	
Gross (H x W x D)		28-1/16 x 37-3/16 x 15-9/16 (713 x 945 x 395)	
Net Weight	lb (kg)	86 (39)	
Gross Weight		95 (43)	

**Warranty Information**



7 Year Compressor, 5 Year Parts out-of-the-box Warranty



10 Year Compressor, 10 Year Parts Warranty when registered within 60 days of installation in a residence



12 Year Compressor, 12 Year Parts Warranty when registered within 60 days of installation in a residence, and installed by a Fujitsu Elite contractor

**ACCESSORIES**

UTY-RVNUM	Wired remote controller
UTY-RNNUM	Wired remote controller
UTY-RSNUM	Simple remote controller
UTY-XWZXZ5	External Connect Kit
FJ-IR-WIFI-1NA	Intesis IR WiFi module
FJ-RC-WIFI-1BT	Intesis Wired WiFi module



This system combination is Energy Star qualified



+App available in Apple® App Store and Google® Play Store.

Due to continuous product improvements, specifications are subject to change without notice. Please log in to the Fujitsu Portal for the most up-to-date documentation <https://connect.fujitsugeneral.com>

Effective Date: 11/7/2022

Inverter Driven Heat Pump

12,000 BTU Single Zone Floor Mount System

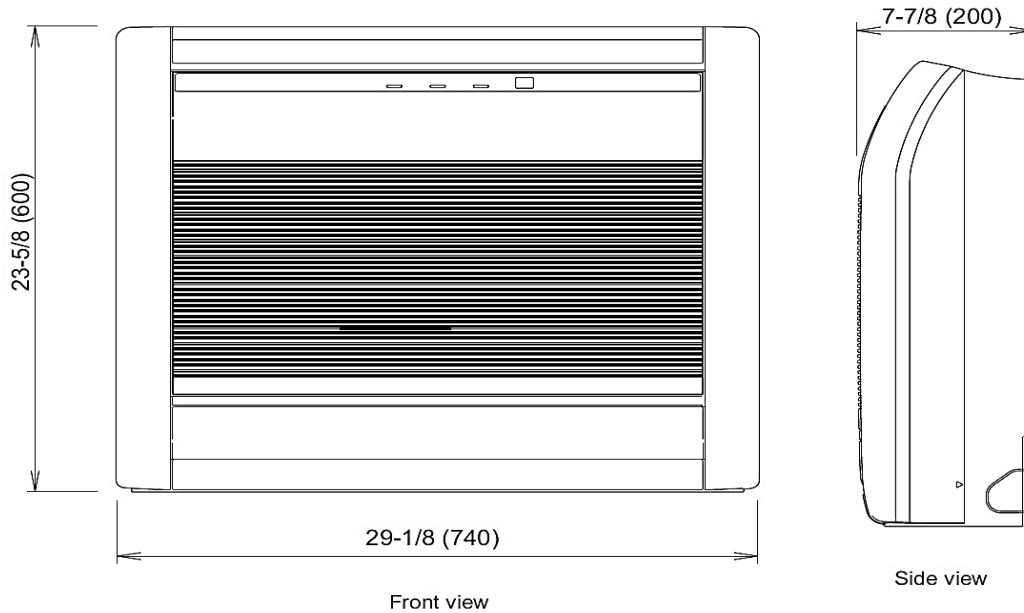
FAN DATA			
Indoor Unit Airflow rate	Cooling	HIGH	336 (570)
		MED	271 (460)
		LOW	212 (360)
		QUIET	159 (270)
	Heating	HIGH	353 (600)
		MED	283 (480)
		LOW	218 (370)
		QUIET	159 (270)
Outdoor Unit Airflow rate	Cooling	1,457 (2,475)	
	Heating	1,207 (2,050)	
SOUND PRESSURE			
Indoor Unit	Cooling	HIGH	40
		MED	35
		LOW	29
		QUIET	23
	Heating	HIGH	40
		MED	35
		LOW	29
		QUIET	23
Outdoor Unit	Cooling	53	
	Heating	52	
REFRIGERANT			
Type			R410A
Charge	lb oz	2 lb 10 oz	
	g	1200	
Oil Type	FREOL α68SZ		

ELECTRICAL SPECIFICATIONS				
Voltage/Frequency/Phase		208/230 V~ 60 Hz		
Available Voltage Range		187–253 V		
Current	Cooling	Rated	4.2	
	Heating	Rated	6.7	
Maximum Operating Current	Cooling	A	10.3	
	Heating		11.8	
Starting current		6.7		
MCA		11.8		
Maximum Circuit Breaker		15		
Input Power	Cooling	Rated	kW	
		Min.–Max.		0.20–2.05
	Heating	Rated		1.44
		Min.–Max.		0.20–2.62
Power Factor	Cooling	%	94.2	
	Heating		93.4	
OTHER				
Moisture Removal		pints/h (L/h)	3.8 (1.8)	
Energy Star		Yes		
Drain hose	Material		PP + LLDPE	
	Tip diameter	in (mm)	Ø 9/16 (Ø 13.8) (I.D.), Ø 5/8 to Ø 11/16 (Ø 15.8 to Ø 16.7) (O.D.)	
Operation Range	Cooling	°F (°C)	64 to 90 (18 to 32)	
		%RH	80 or less	
	Heating	°F (°C)	60 to 88 (16 to 30)	

DIMENSIONS:

Units: In. (mm)

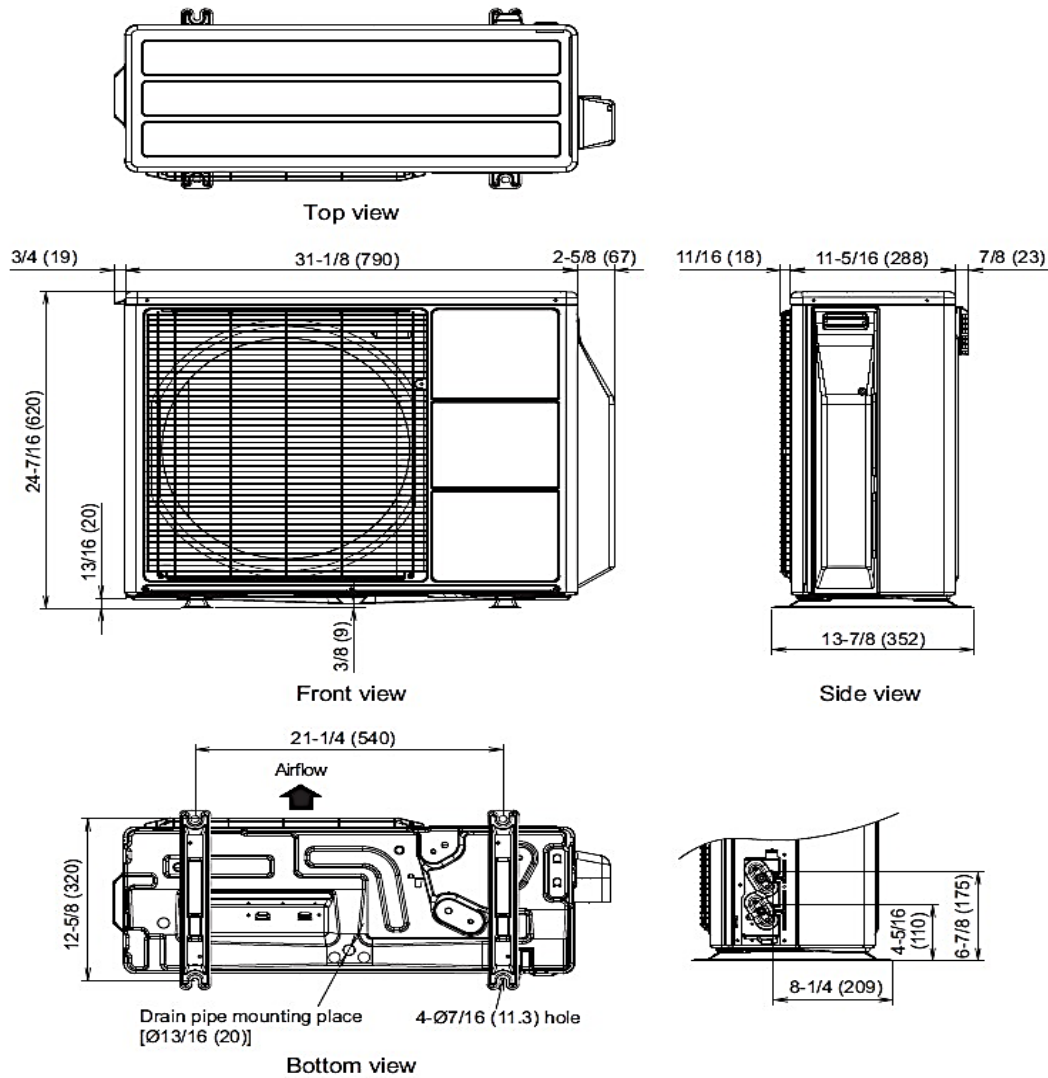
Indoor Unit:



DIMENSIONS

Units: In. (mm)

Outdoor Unit



The Fujitsu logo is a worldwide trademark of Fujitsu General Limited. The Airstage logo and name is a worldwide trademark of Fujitsu General Limited and is a registered trademark in Japan, the USA and other countries or areas. Copyright 2022 Fujitsu General America, Inc. Fujitsu's products are subject to continuous improvements. Fujitsu reserves the right to modify product design, specifications and information in this brochure without notice and without incurring any obligations.

Note: Specifications are based on the following conditions:  
 Cooling: Indoor temperature of 80°F (26.7°C) DB/67°F (19.4°C) WB, and outdoor temperature of 95°F (35°C) DB/75°F (23.9°C) WB. Heating: Indoor temperature of 70°F (21.1°C) DB/60°F (15.6°C) WB, and outdoor temperature of 47°F (8.3°C) DB/43°F (6.1°C) WB. Pipe length: 25ft. (7.5m), Height difference: 0ft. (0m) (Outdoor unit – indoor unit).