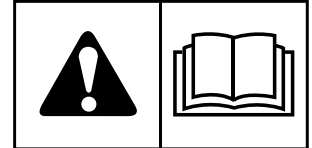




OPERATOR'S MANUAL



Cobalt Series

Zero-Turn Riders

Mfg. No.	Description
5900819	Cobalt 30/61 - Zero-Turn Rider w/ 61" Mower Deck
5900525	Cobalt B30/61 - Zero-Turn Rider w/ 61" Mower Deck
5900526	Cobalt KAV26/61 - Zero-Turn Rider w/ 61" Mower Deck
5900527	Cobalt BV3261 - Zero-Turn Rider w/ 61" Mower Deck

Table of Contents :

Identification Tag Location	3	Mower Belt Replacement	31
Operator Safety	3	Hydraulic Pump Drive Belt Replacement	32
Operator Safety	3	Suspension Adjustment	32
Safety Decals	10	Battery Maintenance	33
Safety Icons	11	Battery Charging	34
Safety Alert Symbol and Signal Words	12	Troubleshooting	34
Safety Interlock System	12	Troubleshooting Charts	34
Features and Controls	12	Troubleshooting Common Cutting Problems	35
Control Functions and Locations	12	Specifications	36
Operation	14	Specifications	36
Before First Time Operation	14	Warranty	36
Checks Before Starting	14	Warranty Statement	36
Checking Tire Pressures	14		
Check Engine Oil Level	15		
Check Hydraulic Oil Level	15		
Seat Adjustment	15		
Mowing Height Adjustment	15		
Foot Pedal Adjustment	15		
Starting the Engine	16		
Stopping the Rider	16		
Zero-Turn Driving Practice	16		
Mowing	18		
Mowing Recommendations	18		
Pushing the Rider By Hand	20		
Raise and Lower the Roll Bar	21		
Attaching a Trailer	21		
Storage	22		
Maintenance Schedule	22		
Maintenance Schedule	22		
Maintenance Procedures	22		
Checking / Adding Fuel	22		
Replacing the Fuel Filter	23		
Changing the Engine Oil and Filter	23		
Engine Maintenance	23		
Inspect Muffler and Spark Arrestor	23		
Change Hydraulic Oil Filter	24		
Lubrication	24		
Lubricate the Front Casters	25		
Servicing the Mower Blades	25		
Ground Speed Control Lever Adjustment	27		
Speed Balancing Adjustment	27		
Neutral Adjustment	27		
Return-to-Neutral Adjustment	28		
Parking Brake Adjustment	28		
Deck Lift Rod Timing Adjustment	29		
Deck Leveling Adjustment	30		
Deck Lift Assist Springs	31		

Thank you for purchasing this quality-built Simplicity Commercial Zero Turn Mower. We're pleased that you've placed your confidence in the Simplicity brand. When operated and maintained according to the manuals, your Simplicity product will provide many years of dependable service.

The manuals contain safety information to make you aware of the hazards and risks associated with the unit and how to avoid them. This Commercial Zero Turn Mower was designed to be used as described in operator's manual and is not intended for any other purpose. It is important that you read and understand the instructions thoroughly before attempting to start or operate this equipment. Save these original instructions for future reference.

This product requires final assembly before use. Refer to the setup guide for instructions on final assembly procedures. Follow the instructions completely.

Products Covered by This Manual

The following products are covered by this manual:

5900819 5900525 5900526 5900527

The images in this document are representative, and are meant to compliment the instructional copy they accompany. Your unit may vary from the images displayed. *LEFT* and *RIGHT* are as seen from the operator's position.

© 2012 Briggs & Stratton Corporation, Milwaukee, WI, USA. All rights reserved.

SIMPLICITY is a trademark of Briggs & Stratton Power Products Group, LLC

Simplicity Manufacturing Inc.

PO Box 702

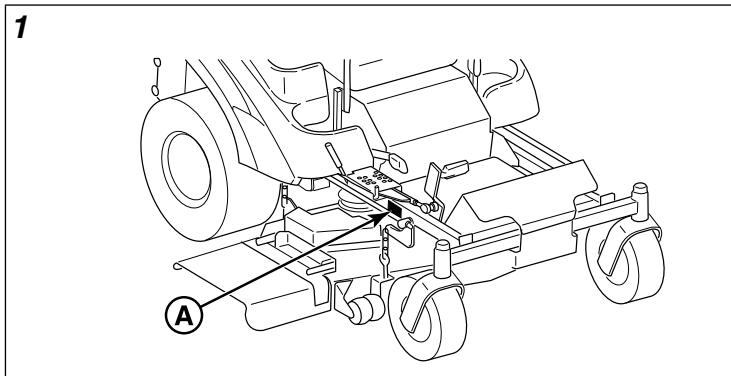
Milwaukee, WI 53201-0702

1-800-837-6836

simplicitymfg.com

Identification Tag Location

The Product Identification tag (A, Figure 1) can be found in the location shown.



Product Identification Tag Decal

Product Identification Tag	
	
Model / Modèle / Model	xxxxxxx
	
Serial / Série / Serie	xxxxxxxxxx
Briggs & Stratton Power Products Group, L.L.C. Milwaukee, WI 53201 USA	

Product Model Number:	
Product Serial Number:	
Engine Model-Type Number:	
Engine Code/Serial Number:	
Date of Purchase:	
Purchase Location:	

When contacting your authorized dealer for replacement parts, service, or information you **MUST** have these numbers.

Record your model name/number, manufacturer's identification numbers, and engine serial numbers in the space provided for easy access. These numbers can be found in the locations shown.

The Illustrated Parts List for this machine can be downloaded from SimplicityMfg.com. Please provide model and serial number when ordering replacement parts.

Operator Safety

Read these safety rules and follow them closely. Failure to obey these rules could result in loss of control of unit, severe personal injury or death to you, or bystanders, or damage to property or equipment. **This mowing deck is capable of amputating hands and feet and throwing objects.**

The safety alert triangle in text signifies important cautions or warnings which must be followed.

Operating Safety



Congratulations on purchasing a superior-quality piece of lawn and garden equipment. Our products are designed and manufactured to meet or exceed all industry standards for safety.

Do not operate this machine unless you have been trained. Reading and understanding this operator's manual is a way to train yourself.

Power equipment is only as safe as the operator. If it is misused, or not properly maintained, it can be dangerous! Remember, you are responsible for your safety and that of those around you.

Use common sense, and think through what you are doing. If you are not sure that the task you are about to perform can be safely done with the equipment you have chosen, ask a professional: contact your local authorized dealer.

Read the Manual

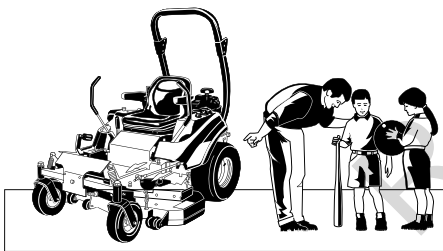


The operator's manual contains important safety information you need to be aware of **BEFORE** you operate your unit as well as **DURING** operation.

Safe operating techniques, an explanation of the product's features and controls, and maintenance information is included to help you get the most out of your equipment investment.

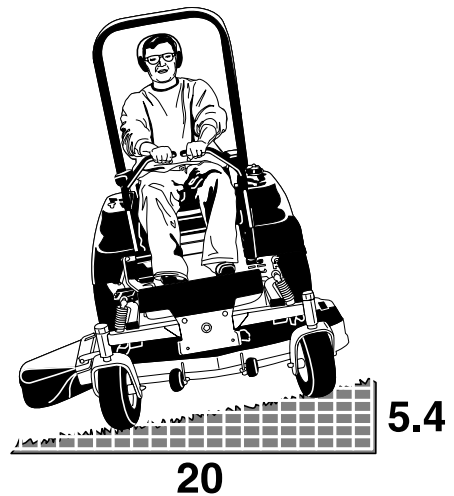
Be sure to completely read the Safety Rules and Information found on the following pages. Also completely read the Operation section.

Children



Tragic accidents can occur with children. Do not allow them anywhere near the area of operation. Children are often attracted to the unit and mowing activity. Never assume that children will remain where you last saw them. If there is a risk that children may enter the area where you are mowing, have another responsible adult watch them.

Slope Operation



Operation on slopes can be dangerous. Using the unit on a slope that is too steep where you do not have adequate wheel traction (and control) can cause sliding, loss of steering, control, and possible rollover. You should not operate on a slope greater than a 5.4 foot rise over a 20 foot length (15 degrees).

Always mow across slopes, not up and down (to maintain traction on the wheels) and avoid sudden turns or rapid speed changes. Reduce speed and use extreme caution on **ALL** slopes.

Also, note that the surface condition you are on can greatly impact your ability to safely operate this machine. Operating on wet or slippery slopes can cause sliding and loss of steering and control. Do not operate on slopes that are slippery, wet, or have soft soil conditions.

If you feel unsure about operating the unit on a slope, don't do it. It's not worth the risk.

Thrown Objects

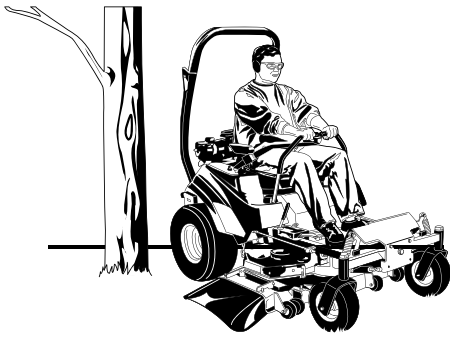


This unit has spinning mower blades. These blades can pick up and throw debris that could seriously injure a bystander. Be sure to clean up the area to be mowed and remove objects that could be thrown by the blade **BEFORE** you start mowing.

Do not operate this unit without the entire grass catcher or discharge guard (deflector) in place.

Also, do not allow anyone in the area while the unit is running! If someone does enter the area, shut the unit off immediately until they leave.

Moving Parts



This equipment has many moving parts that can injure you or someone else. However, if you stay in the operator zone (stay seated in the seat), and follow the safety rules in this operator's manual, the unit is safe to operate.

The mower deck has spinning mower blades that can amputate hands and feet. Do not allow anyone near the unit while it is running! Keep safety devices (guards, shields, and switches) in place and working.

To help you, the operator, use this equipment safely, it is equipped with an operator-present safety system. Do NOT attempt to alter or bypass the system. See your dealer immediately if the system does not pass all the safety interlock system tests found in this manual.

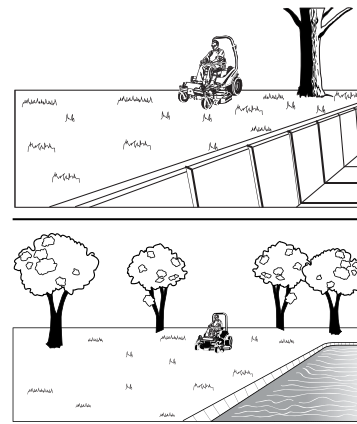
Roll Bar Use



Keep the roll bar in the raised position and fasten the seat belt. There is no roll over protection when the roll bar is down! Do not jump off if the mower tips (it is safer to be secured by the seat belt with the roll bar raised.)

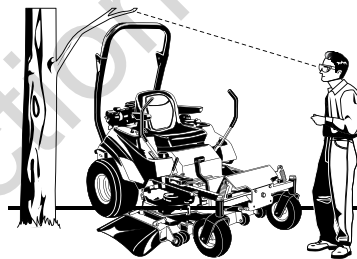
Lower the roll bar only when necessary (such as to temporarily clear a low overhanging obstacle) and NEVER remove it. Do NOT use the seat belt when the roll bar is down. Raise the roll bar as soon as clearance permits.

Retaining Walls, Drop-Offs and Water



Retaining walls and drop-offs around steps and water are a common hazard. Give yourself a minimum of two mower widths of clearance around these hazards and hand-trim with a walk behind mower or string trimmer. Wheels dropping over retaining walls, edges, ditches, embankments, or into water can cause rollovers, which may result in serious injury, death, or drowning.

Overhead Obstacles



Check for overhead clearances before driving under any objects. Do not allow the roll bar to contact low overhanging obstacles such as tree branches and guide wires.

Fuel and Maintenance



Always disengage all drives, shutoff the engine, and remove the key before doing any cleaning, refueling, or servicing.

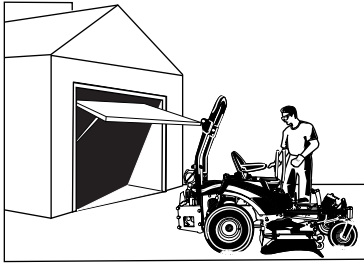
Gasoline and its vapors are extremely flammable. Do not smoke while operating or refueling. Do not add fuel while engine is hot or running. Allow engine to cool for at least 3 minutes prior to adding fuel.

Do not add fuel indoors, in an enclosed trailer, garage, or any other enclosed area that is not well ventilated. Gasoline spills should be cleaned up promptly and before operation begins.

Gasoline should be stored only in sealed containers approved for fuel.

Proper maintenance is critical to the safety and performance of your unit. Keep the unit free of grass, leaves, and excess oil. Be sure to perform the maintenance procedures listed in this manual, especially periodically testing the safety system.

Enclosed Areas



Only operate this unit outdoors and away from unventilated areas such as inside garages or enclosed trailers. The engine emits poisonous carbon monoxide gas and prolonged exposure in an enclosed area can result in serious injury or death.

Training

- Read, understand, and follow all instructions in the manual and on the unit before starting. If the operator(s) or mechanic(s) can not read English it is the owner's responsibility to explain this material to them.
- Become familiar with the safe operation of the equipment, operator controls, and safety signs.
- All operators and mechanics should be trained. The owner is responsible for training the users.
- Only allow responsible adults, who are familiar with the instructions, to operate the unit.
- Never let children or untrained people operate or service the equipment. Local regulations may restrict the age of the operator.
- The owner/user can prevent and is responsible for accidents or injuries occurring to themselves, other people or property.
- Data indicates that operators, age 60 years and above, are involved in a large percentage of riding mower-related injuries. These operators should evaluate their ability to operate the riding mower safely enough to protect themselves and others from serious injury.

Preparation

- Evaluate the terrain to determine what accessories and attachments are needed to properly and safely perform the job. Use only accessories and attachments approved by the manufacturer.
- Wear appropriate clothing including safety shoes, safety glasses and ear protection. Long hair, loose clothing or jewelry may get tangled in moving parts.
- Inspect the area where the equipment is to be used and remove all objects such as rocks, toys and wire, which can be thrown by the machine.
- Use extra care when handling gasoline and other fuels. They are flammable and vapors are explosive.

- Use only an approved container.
- Never remove fuel cap or add fuel with the engine running. Allow engine to cool before refueling. Do not smoke.
- Never refuel or drain the machine indoors.
- Check that operator's presence controls, safety switches and shields are attached and functioning properly. Do not operate unless they are functioning properly.

Operation

- Never run an engine in an enclosed area.
- Mow only in the daylight or with good artificial light, keeping away from holes and hidden hazards.
- Be sure all drives are in neutral and parking brake is engaged before starting engine. Only start engine from the operator's position. Use seat belts if provided.
- Be sure of your footing while using pedestrian controlled equipment, especially when backing up. Walk, don't run. Reduced footing could cause slipping.
- Slow down and use extra care on hillsides. Be sure to travel in the recommended direction on hillsides. Turf conditions can affect the machines stability. Use caution when operating near drop-offs.
- Do not mow in reverse unless absolutely necessary. Always look down and behind before and while traveling in reverse.
- Be aware of the mower discharge direction and do not point it at anyone. Do not operate the mower without either the entire grass catcher or the deflector in place.
- Slow down and use caution when making turns and when changing directions on slopes.
- Never raise deck with the blades running.
- Never leave a running unit unattended. Always disengage the PTO, set parking brake, stop engine, and remove keys before dismounting. Keep hands and feet away from the cutting units.
- Turn off the PTO switch to disengage the blades when not mowing.
- Never operate with guards not securely in place. Be sure all interlocks are attached, adjusted properly and functioning properly.
- Never operate with the discharge deflector raised, removed or altered, unless using a grass catcher.
- Do not change the engine governor setting or overspeed the engine.
- Stop on level ground, lower implements, disengage drives, engage parking brake, shut off engine before leaving the operator's position for any reason including emptying the grass catchers or unclogging the chute.
- Stop equipment and inspect blades after striking objects or abnormal vibration occurs. Make necessary repairs before resuming operations.
- Keep hands and feet away from the cutting units.

- Look behind and down before backing up to be sure of a clear path.
- Never carry passengers and keep pets and bystanders away.
- Do not operate the unit while under the influence of alcohol or drugs.
- Slow down and use caution when making turns and crossing roads and sidewalks. Stop blades if not mowing.
- Use care when loading or unloading the machine into a trailer or truck.
- Use care when approaching blind corners, shrubs, trees or other objects that may obscure vision.
- To reduce fire hazard, keep unit free of grass, leaves & excess oil. Do not stop or park over dry leaves, grass or combustible materials.



WARNING

It is a violation of California Public Resource Code, Section 4442, to use or operate the engine on any forest-covered, brush-covered or grass-covered land unless the exhaust system is equipped with a spark arrester, as defined in Section 4442, maintained in effective working order. Other states or federal jurisdictions may have similar laws. Contact an Authorized Service Dealer to obtain a spark arrester designed for the exhaust system installed on this engine.

- OSHA regulations may require the use of hearing protection when exposed to sound levels greater than 85 dBA for an 8 hour time period.



CAUTION



This machine produces sound levels in excess of 85 dBA at the operator's ear and can cause hearing loss through extended periods of exposure.

Wear hearing protection when operating this machine.

Slope Operation

Slopes are a major factor related to loss-of-control and tip-over accidents, which can result in severe injury or death. All slopes require extra caution. If you cannot back up the slope or if you feel uneasy on it, do not drive on it.



WARNING



Do not use this machine on slopes greater than 15°.*

Select slow ground speed before driving onto slope. Use extra caution when operating on slopes with rear-mounted grass catchers.

Mow across the face of slopes, not up and down, use caution when changing directions and **DO NOT START OR STOP ON SLOPE.**

* This limit was determined per CEN Standard EN 836:1997, Section 5.2.2 and is based on the EN 836 Stability Test procedure described in Section 4.2.4.2. The 15 degree "limit of stability" is equal to 50% of the angle at

which machine lift-off occurred in static tests. Actual dynamic stability may vary depending on operating conditions.

Do:

- Mow across slopes, not up and down.
- Remove obstacles such as rocks, tree limbs, etc.
- Watch for holes, ruts, or bumps. Uneven terrain could overturn the unit. Tall grass can hide obstacles.
- Use slow speed. Choose a slow speed so that you will not have to stop or change speed while on the slope.
- Use extra care with grass catchers or other attachments. These can change the stability of the unit.
- Keep all movement on the slopes slow and gradual. Do not make sudden changes in speed or direction.
- See your authorized dealer for recommendations of available weights to improve stability.

Do NOT:

- Avoid starting, stopping, or turning on a slope. If tires lose traction (i.e. machine stops forward motion on a slope), disengage the blade(s) (PTO) and drive slow off the slope.
- Do not turn on slopes unless necessary, and then, turn slowly and gradually uphill, if possible. Never mow down slopes.
- Do not mow near drop-offs, ditches, or embankments. The operator could lose footing or balance or mower could suddenly turn over if a wheel is over the edge of a cliff or ditch, or if an edge caves in.
- Do not mow on wet grass. Reduced footing or traction could cause sliding.
- Do not try to stabilize the unit by putting your foot on the ground. (ride-on units).
- Do not mow excessively steep slopes.
- Do not use grass catcher on steep slopes.
- Do not mow slopes if you cannot back up them.

Towed Equipment (Ride-On Units)

- Tow only with a machine that has a hitch designed for towing. Do not attach towed equipment except at the hitch point.
- Follow the manufacturer's recommendations for weight limit for towed equipment and towing on slopes. See attaching a trailer under OPERATION.
- Never allow children or others in or on towed equipment.
- On slopes, the weight of the towed equipment may cause loss of traction and loss of control.
- Travel slowly and allow extra distance to stop.
- Do not shift to neutral and coast down hill.

Children

Tragic accidents can occur if the operator is not alert to the presence of children. Children are often attracted to the unit and the mowing activity. Never assume that children will remain where you last saw them.

- Keep children out of the mowing area and under the watchful care of another responsible adult.
- Be alert and turn unit off if children enter the area.
- Before and during reverse operation, look behind and down for small children.
- Never carry children, even with the blade(s) off. They may fall off and be seriously injured or interfere with safe unit operation. Children who have been given rides in the past may suddenly appear in the mowing area for another ride and be run over or backed over by the machine.
- Never allow children to operate the unit.
- Use extra care when approaching blind corners, shrubs, trees, or other objects that may obscure vision.
- Use extra care in handling gasoline and other fuels. They are flammable and vapors are explosive.
- If fuel is spilled, do not attempt to start the engine but move the machine away from the area of spillage and avoid creating any source of ignition until fuel vapors have dissipated.
- Replace all fuel tank caps and fuel container caps securely.

Maintenance and Storage

- Always observe safe refueling and fuel handling practices when refueling the unit after transportation or storage.
- Always follow the engine manual instructions for storage preparations before storing the unit for both short and long term periods.
- Always follow the engine manual instructions for proper start-up procedures when returning the unit to service.
- Never store the machine or fuel container inside where there is an open flame, such as in a water heater. Allow unit to cool before storing.
- Shut off fuel while storing or transporting. Do not store fuel near flames or drain indoors.
- Keep all hardware, especially blade attachment bolts, tight and keep all parts in good working condition. Replace all worn or damaged decals.
- Never tamper with safety devices. Check their proper operation regularly.
- Disengage drives, lower implement, set parking brake, stop engine and remove key or disconnect spark plug wire. Wait for all movement to stop before adjusting, cleaning or repairing.
- Clean grass and debris from cutting units, drives, mufflers, and engine to prevent fires. Clean up oil or fuel spillage.
- Let engine cool before storing and do not store near flame.
- Stop and inspect the equipment if you strike an object. Repair, if necessary, before restarting.
- Park machine on level ground. Never allow untrained personnel to service machine.
- Use jack stands to support components when required.
- Carefully release pressure from components with stored energy.
- Disconnect battery or remove spark plug wire before making any repairs. Disconnect the negative terminal first and the positive last. Reconnect positive first and negative last.
- Use care when checking blades. Wrap the blade(s) or wear gloves, and use caution when servicing them. Only replace blades. Never straighten or weld them.
- Keep hands and feet away from moving parts. If possible, do not make adjustments with the engine running.
- Charge batteries in an open well ventilated area, away from spark and flames. Unplug charger before connecting or disconnecting from battery. Wear protective clothes and use insulated tools.

Emissions

- Engine exhaust from this product contains chemicals known, in certain quantities, to cause cancer, birth defects, or other reproductive harm.
- Look for the relevant Emissions Durability Period and Air Index information on the engine emissions label.

Ignition Systems (Gasoline Models)

- This spark ignition system complies with Canadian ICES-002.

Service and Maintenance

To avoid personal injury or property damage, use extreme care in handling gasoline. Gasoline is extremely flammable and the vapors are explosive.

Safe Handling of Gasoline

- Extinguish all cigarettes, cigars, pipes, and other sources of ignition.
- Use only approved gasoline containers.
- Never remove the gas cap or add fuel with the engine running. Allow the engine to cool before refueling.
- Never fuel the machine indoors.
- Never store the machine or fuel container where there is an open flame, spark, or pilot light such as near a water heater or other appliance.
- Never fill containers inside a vehicle or on a truck bed with a plastic bed liner. Always place containers on the ground away from your vehicle before filling.
- Remove gas-powered equipment from the truck or trailer and refuel it on the ground. If this is not possible, then refuel such equipment on a trailer with a portable container, rather than from a gasoline dispenser nozzle.
- Keep nozzle in contact with the rim of the fuel tank or container opening at all times until fueling is complete. Do not use a nozzle lock-open device.
- If fuel is spilled on clothing, change clothing immediately.
- Never over-fill the fuel tank. Replace gas cap and tighten securely.

- Grass catcher components are subject to wear, damage, and deterioration, which could expose moving parts or allow objects to be thrown. Frequently check components and replace with manufacturer's recommended parts, when necessary.
- Check brake operation frequently. Adjust and service as required.
- Use only factory authorized replacement parts when making repairs.
- Always comply with factory specifications on all settings and adjustments.
- Only authorized service locations should be utilized for major service and repair requirements.
- Never attempt to make major repairs on this unit unless you have been properly trained. Improper service procedures can result in hazardous operation, equipment damage and voiding of manufacturer's warranty.
- Units with hydraulic pumps, hoses, or motors: **WARNING:** Hydraulic fluid escaping under pressure may have sufficient force to penetrate skin and cause serious injury. If foreign fluid is injected into the skin it must be surgically removed within a few hours by a doctor familiar with this form of injury or gangrene may result. Keep body and hands away from pin holes or nozzles that eject hydraulic fluid under high pressure. Use paper or cardboard, and not hands, to search for leaks. Make sure all hydraulic fluid connections are tight and all hydraulic hoses and lines are in good condition before applying pressure to the system. If leaks occur, have the unit serviced immediately by your authorized dealer.
- **WARNING:** Stored energy device. Improper release of springs can result in serious personal injury. Springs should be removed by an authorized technician.
- Models equipped with an engine radiator: **WARNING:** Stored energy device. To prevent serious bodily injury from hot coolant or steam blow-out, never attempt to remove the radiator cap while the engine is running. Stop the engine and wait until it is cool. Even then, use extreme care when removing the cap.

Roll Bar Instructions

For models equipped with factory-installed Roll Over Protection System (ROPS).



WARNING

In order to avoid serious injury or death from roll over, it is important to follow the warnings listed below.

Operational Warnings

- Always use the seat belt when the roll bar is in the raised position.
- Never use the seat belt when the roll bar is in the down position.

- Remember there is no roll over protection when the roll bar is in the down position so it is very important to always keep the roll bar in the raised position whenever possible.
- Lower the roll bar to the down position only when it is absolutely necessary.
- Check for overhead clearances before driving under any objects. Do not allow roll bar to contact low overhanging obstacles such as tree branches and guide wires.
- Never remove the roll bar from the vehicle.
- Do not exceed the machine weight rating of the roll bar.
- Read and follow all of the instructions shown below regarding the inspection and maintenance of the roll bar structure and the seat belt.

Inspection of the Roll Bar Protective Structure



WARNING

Failure to properly inspect and maintain the ROLL BAR protective structure can cause serious injury or death.

A ROLL BAR, like any other safety device, needs to be periodically inspected to verify that the integrity of the device has not been compromised through normal machine use, misuse, age degradation, modifications, or a roll over.

To maintain operator roll over protection and roll bar effectiveness:

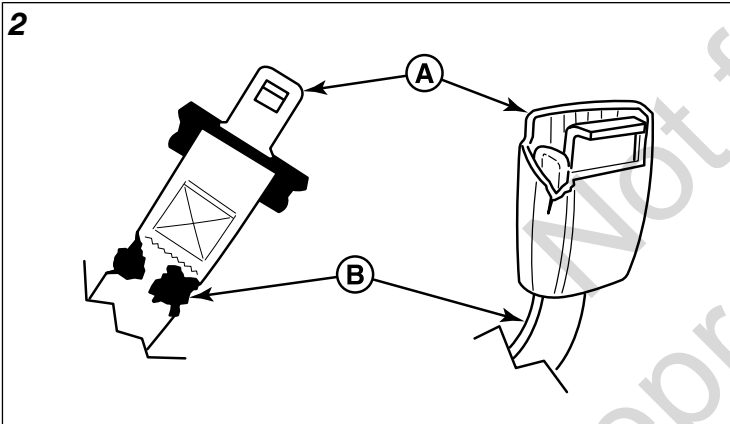
- If a ROLL BAR becomes damaged for any reason, such as a collision, roll over or impact, the ROLL BAR must be replaced. Small undetectable cracks can reduce the effectiveness of the ROLL BAR. Never weld, straighten, or repair the ROLL BAR.
- Never alter the ROLL BAR by welding anything to it or by drilling additional holes.
- **BEFORE FIRST TIME USE** - Inspect the ROLL BAR structure and mounting hardware for:
 - 1) Check to make sure the machine GVW (Gross Vehicle Weight), including attachments, restrained payload, fuel and operator, is not in excess of the maximum weight specified on the ROLL BAR label.
 - 2) Make sure there isn't any missing, damaged, or loose mounting hardware.
 - 3) Make sure the ROLL BAR has been correctly and completely installed.
- **EVERY 100 HOURS** - Inspect the ROLL BAR structure and mounting hardware for:
 - 1) Any cracks in the structure (structural members and/or welds).
 - 2) Significant corrosion on any part of the ROLL BAR structure or hardware.
 - 3) Missing, damaged, or loose mounting hardware
 - 4) Mounting hardware that is of a grade lesser than specified.

- 5) Machine GVW (Gross Vehicle Weight), including attachments, restrained payload, fuel and operator, in excess of the maximum weight specified on the ROLL BAR label.
- 6) Any modifications that have been made, such as unauthorized welds and holes.
- 7) Any permanent deformation or twisting of the ROLL BAR structure.
- 8) That the ROLL BAR label is still in place and is readable.
- 9) That the ROLL BAR on-product warning labels are still on the ROLL BAR and are readable.
- If there is any doubt as to the condition of the ROLL BAR, remove the machine from service and contact your dealer for assistance.

Inspection and Maintenance of the Roll Bar Seat Belt

WARNING

Failure to properly inspect and maintain the seat belt can cause serious injury or death.



- The seat belt like the ROLL BAR, needs to be periodically inspected to verify that the integrity has not been compromised through normal machine use, misuse, age degradation, modifications, or a roll over. If the seat belt does not pass all of the following tests, it should be replaced.
- BEFORE EACH USE – Conduct the following inspections/maintenance of the seat belt and retraction mechanism:
 - 1) Check for dirt or debris in the retraction mechanism. If dirt or debris is found, it should be removed.
 - 2) Check to make sure the retraction mechanism retracts easily and completely.
 - 3) Check for damage to any part of the seat belt (A, Figure 2) such as nicks, cuts, loose stitching, or fraying.
 - 4) Check that the buckle and latch (B) operate properly and that the latch plate is not excessively worn, deformed, or the buckle is damaged or cracked. The seat belt should latch and release easily.

California Prop 65 Exhaust Chemical Warning



U.S.A. Models: The engine exhaust from this product contains chemicals known to the State of California to cause cancer, birth defects, or other reproductive harm.

California Prop 65 Lead Warning



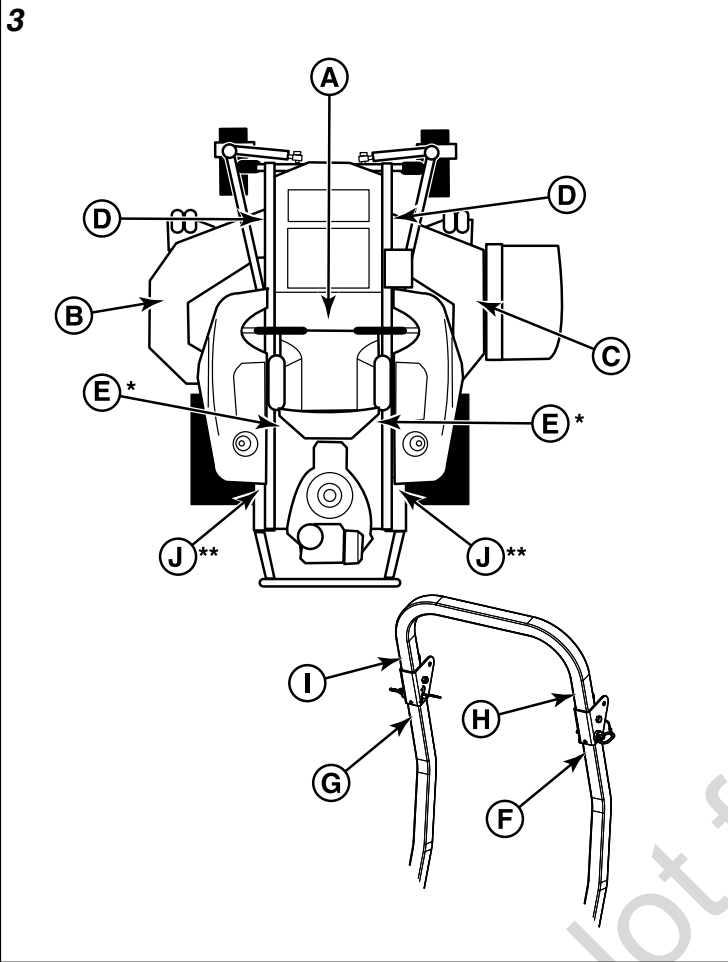
Battery posts, terminals, and related accessories contain lead and lead compounds, chemicals known to the State of California to cause cancer and birth defects or other reproductive harm. Wash hands after handling.

Safety Decals

Before operating your unit, read the safety decals. The cautions and warnings are for your safety. To avoid a personal injury or damage to the unit, understand and follow all safety decals.



If any safety decals become worn or damaged, and cannot be read, order replacement decals from your local dealer.



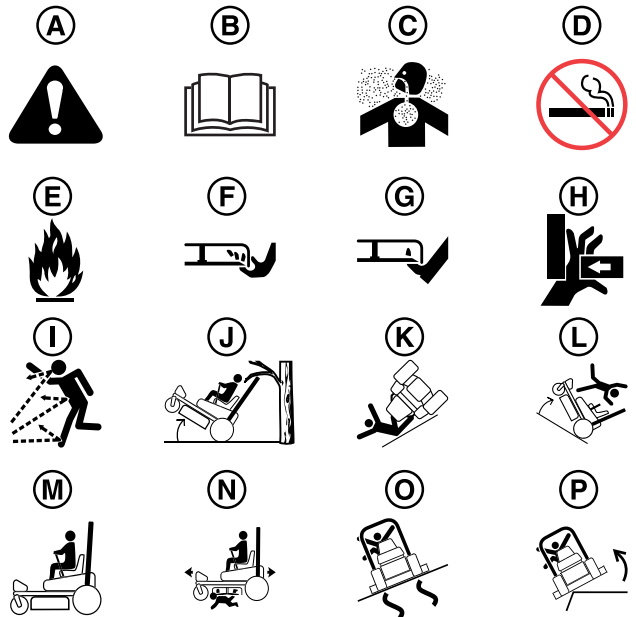
* Located by hydraulic pumps.

** Located behind ROPS on the frame of the unit.

D	<p>⚠ WARNING PINCH POINT To avoid injury from loaded spring, read operator's manual before removing spring. 61243</p>						
E	<p>⚠ WARNING Amputation and Pinch Point Hazard To avoid injury from rotating parts, stay clear of parts and keep all shields and guards in place. 5103184</p>						
F	<p>⚠ WARNING AVOID SERIOUS INJURY OR DEATH FROM ROLL-OVER. Roll over protection must be in the raised position and locked. THERE IS NO ROLL-OVER PROTECTION WHEN THE ROLL-BAR IS DOWN. Lower the roll-bar only when necessary and NEVER remove it. Do NOT use seat belt when the roll-bar is down. Raise the roll-bar as soon as clearance permits. Do NOT jump off if power fails. Read and follow all operating instructions and warnings in the operator's manual.</p> <p>⚠ CAUTION ROLL-OVER PROTECTIVE STRUCTURE To maintain operator protection and roll-bar effectiveness: Replace a damaged roll-bar. Do NOT attempt to repair or modify. Any alteration of the roll-bar must be approved by the manufacturer. Do NOT exceed the published weight rating for the roll-bar.</p>	G	<p>⚠ ADVERTENCIA EVITE LESIONES GRAVES O LA MUERTE POR VOLCADURAS. Nunca baje la barra antevuelco antes de salir del asiento. NO BAJAR LA BARRA ANTEVUELCO ESTE ANILLO. Baja la barra antevuelco solamente cuando sea necesario y NO en marcha. NO utilizar el cinturón de seguridad cuando la barra antevuelco está abajo. Suba la barra antevuelco tan pronto como le permita el espacio. NO saltar de la máquina cuando ésta se detiene. Lea el manual del operador y siga las instrucciones de operación y las advertencias en el manual.</p> <p>⚠ PRECAUCIÓN ESTRUCTURA PROTECTORA CONTRA VOLCADURAS Para mantener protección al operador y la efectividad de la barra antevuelco: Reemplazarse la barra antevuelco si está dañada o modificada. Cualquier cambio a la barra antevuelco debe ser aprobado por el fabricante. NO exceder la calificación de peso y la capacidad de la barra antevuelco.</p>	H	<p>⚠ WARNING LOW OVERHANGING OBSTACLES HAZARD Check for overhead clearances before driving under any objects. Do NOT allow roll-bar to contact low overhanging obstacles, such as tree branches and guide wires.</p>	I	<p>⚠ ADVERTENCIA PELIGRO DE OBSTÁCULOS QUE CUELGAN MUY ABAJO Revisa el espacio libre arriba de su cabeza antes de conducir por debajo de algún objeto. NO permita que la barra antevuelco entre en contacto con obstáculos que cuelgan muy abajo, como las ramas de los árboles y cables guía.</p>
J	<p>⚠ WARNING Avoid serious injury or death from rollover. Do not operate without the roll-bar installed and operational.</p>						

A	<p>⚠ WARNING</p> <ul style="list-style-type: none"> Read operator's manual. Know location and function of all controls. Keep only one hand on controls while driving. Remove objects that can be thrown by the blade. Do NOT mow when children or others are around. NEVER carry children, even with blades off. Look down and behind - before and while mowing. Avoid sudden turns. Do not cross ditches, ruts, and ditches. If machine slips forward motion on a slope, stop the blades and drive slowly off the slope. Use sun ditches and engine as stopped before backing tracks or rear blades. When leaving machine, shut off engine, remove key, and set parking brake. Do NOT operate this machine unless you are trained. Operating on slopes can be hazardous. <p>⚠ DANGER</p> <p>Operating on steep slopes can cause sliding and loss of steering, control, and rollover.</p> <ul style="list-style-type: none"> See operator's manual. Reduce speed and use extreme caution on slopes. Avoid sudden turns or rapid speed changes. Do NOT operate on slopes over 15°. <p>Amputation hazard To avoid injury to fingers, stop mower when children are near. Do not mow in reverse. Look behind when backing. Never carry others, especially children.</p> <p>Wheels dropping over edges, ditches, or embankments can cause rollovers, which may result in serious injury, death, or drowning. Do NOT operate near drop-offs or near water. </p>
B	<p>⚠ DANGER</p> <p>ROTATING CUTTING BLADE Do not put hands or feet under mower deck while blade is rotating. 1704273</p>
C	<p>⚠ DANGER</p> <p>ROTATING CUTTING BLADE Do not operate mower without deflector or entire grass catcher in place. 1704277</p>


Safety Icons





Callout	Description
A	Alert


Callout	Description
B	Read the Manual
C	Toxic Fumes
D	Open Flame Hazard
E	Fire Hazard
F	Amputation - Hand in Blade
G	Amputation - Foot in Blade
H	Pinch Point
I	Thrown Objects
J	Overhead Obstacles
K	Rollover Hazard
L	Tipover
M	Keep ROPS in Raised Position
N	Keep Children Away
O	Slippery Slopes
P	Dropoffs

Safety Alert Symbol and Signal Words

The safety alert symbol  indicates a potential personal injury hazard. A signal word (DANGER, WARNING, or CAUTION) is used with the alert symbol to designate a degree or level of hazard seriousness. A safety symbol may be used to represent the type of hazard. The signal word NOTICE is used to address practices not related to personal injury.

 **DANGER** indicates a hazard which, if not avoided, *will* result in death or serious injury.

 **WARNING** indicates a hazard which, if not avoided, *could* result in death or serious injury.

 **CAUTION** indicates a hazard which, if not avoided, *could* result in minor or moderate injury.

NOTICE addresses practices not related to personal injury.

Safety Interlock System

This unit is equipped with safety interlock switches. These safety systems are present for your safety, do not attempt to bypass safety switches, and never tamper with safety devices. Check their operation regularly.

Operational SAFETY Checks

Test 1 - Engine SHOULD NOT crank if:

- PTO switch is engaged, OR
- Parking brake is not engaged, OR
- Ground speed control levers are not in the NEUTRAL position.

Test 2 - Engine SHOULD crank if:

- PTO switch is not engaged, AND
- Parking brake is engaged, AND

- Ground speed control levers are locked in the NEUTRAL position.

Test 3 - Engine should SHUT OFF if:

- Operator rises off seat with PTO engaged, OR
- Operator rises off seat with parking brake disengaged.
- Operator moves ground speed control levers out of their neutral positions before disengaging parking brake.

Test 4 - Blade Brake Check

Mower blades and mower drive belt should come to a complete stop within five (5) seconds after electric PTO switch is turned off (or operator rises off seat). If mower drive belt does not stop within five (5) seconds, see your dealer.

NOTE: Once the engine has stopped, PTO switch must be turned off, parking brake must be engaged, and the ground speed control levers must be locked in the NEUTRAL position after the operator returns to the seat in order to start the engine.

WARNING

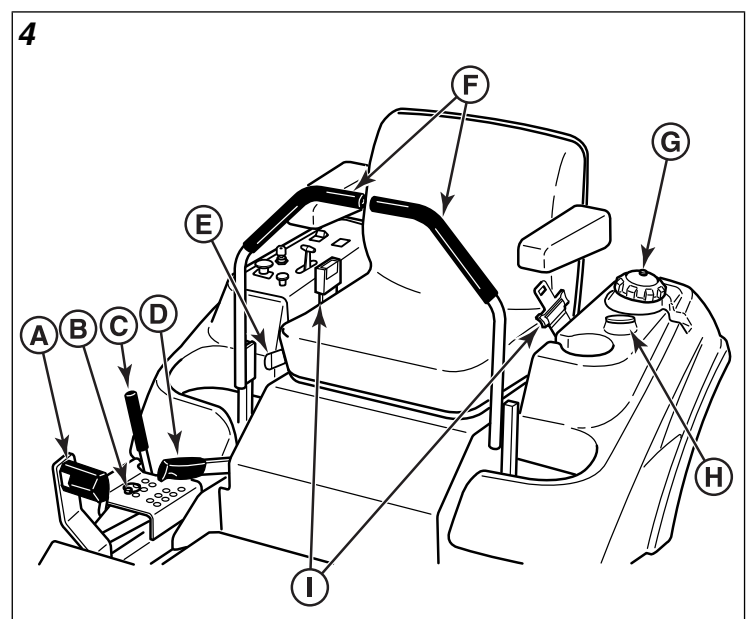
If the unit does not pass a safety test, do not operate it. See your authorized dealer. Under no circumstance should you attempt to defeat the purpose of safety interlock system.

Features and Controls

Control Functions and Locations

The information below briefly describes the function of individual controls. Starting, stopping, driving, and mowing require the combined use of several controls applied in specific sequences. To learn what combination and sequence of controls to use for various tasks see the *Operation* section.

Tractor Controls



Callout	Control Name
---------	--------------

A	Deck Lift Pedal
B	Cutting Height Adjustment Pin
C	Deck Lift Lock Lever
D	Parking Brake
E	Seat Adjustment Lever
F	Ground Speed Control Levers
G	Fuel Tank Cap
H	Fuel Level Guage
I	Retractable Seat Belt

Deck Lift Pedal, Cutting Height Adjustment Pin & Deck Lift Lock Lever: These control the cutting height of the mower deck. Depress the pedal until it locks into the 5" (12,7 cm) position. Place the adjustment pin in the desired cutting height and release the lift lock lever.

Parking Brake: Pull the parking brake lever back to engage the parking brake. Move the lever fully forward to disengage the parking brake. *NOTE: To start the unit the parking brake must be engaged.*

Icon	Name	Description
	Disengage	Releases the parking brake.
	Engage	Locks the parking brake.

Seat Adjustment Lever: The seat can be adjusted forward and back. Move the lever towards the left, position the seat as desired, and release the lever to lock the seat in position.

Ground Speed Control Levers: These levers control the ground speed of the rider. The left lever controls the left rear drive wheel and the right lever controls the right rear drive wheel.

Moving a lever forward increases the FORWARD speed of the associated wheel, and pulling back on a lever increases the REVERSE speed.

Note: The further a lever is moved away from the neutral position the faster the drive wheel will turn.

See the *Zero-Turn Driving Practice* section for steering instructions.

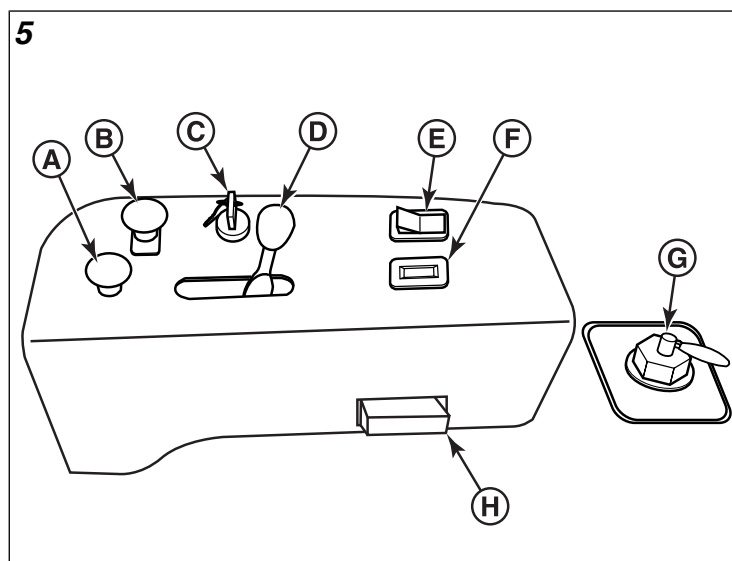
Fuel Tank Cap: To remove the cap, turn counterclockwise.

Fuel Level Gauge: Displays the fuel level in the tank.

Retractable Seat Belt: The seat belt is used to secure the operator to the seat.

The seat belt should **always** be worn when the Roll Bar is in the raised position. The seat belt should **never** be worn when the Roll Bar is in the down position.

Instrument Control Panel



Callout	Control Name
A	Choke
B	PTO Switch
C	Ignition Switch
D	Throttle Control
E	Headlight Switch
F	Hour Meter
G	Fuel Selector Valve
H	Fuse Block

Choke: Close the choke for cold starting. Open the choke once the engine starts. A warm engine may not require choking. Pull the knob UP to close the choke. Push to knob DOWN to open the choke.



PTO (Power Take Off) Switch: The PTO switch engages and disengages the mower. Pull UP on the switch to engage, and push DOWN to disengage.

Ignition Switch: The ignition switch starts and stops the engine, it has three positions:

Icon	Name	Description
	OFF	Stops the engine and shuts off the electrical system.
	RUN	Allows the engine to run and powers the electrical system.
	START	Cranks the engine for starting.

NOTE: Never leave the ignition switch in the RUN position with the engine stopped—this drains the battery.

Throttle Control: The throttle controls engine speed. Move the throttle forward to increase engine speed and back to decrease engine speed. Always operate at FULL throttle.

Icon	Position
	Fast throttle speed.
	Slow throttle speed.

Headlight Switch: The headlight switch turns the headlights on and off.

Hour Meter: The hour meter measures the number of hours the PTO has been engaged. The hour meter has a self contained power source so the total hours are always visible.

Fuel Selector Valve: Turning the handle to the desired position determines which tank will be supplying fuel. With the handle pointing LEFT, it will draw fuel from the left-hand tank. With the handle pointing RIGHT, it will draw fuel from the right-hand tank. With the handle pointing towards the engine, it will shut off fuel flow to the engine.

Fuse Block: The fuse block houses fuses for the electrical system.

Operation

Before First Time Operation

- Be sure to read all information in the Safety and Operation sections before attempting to operate this tractor and mower.
- Become familiar with all of the controls and how to stop the unit.
- Drive in an open area without mowing to become accustomed to the unit.



WARNING

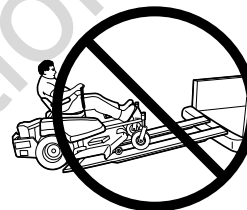
- Never operate on slopes greater than 15°.
- Select slow ground speed before driving onto a slope. Use extra caution when operating on slopes with a rear-mounted grass catcher.
- Mow across the face of slopes, not up and down, use caution when changing direction on slopes and **do NOT start or stop on a slope.**

WARNING

- Never allow passengers to ride on the unit.
- Before leaving the operator's position for any reason, engage the parking brake, disengage the PTO, stop the engine and remove the key.
- To reduce fire hazard, keep the engine, rider and mower free of grass, leaves and excess grease. Do NOT stop or park rider over dry leaves, grass or combustible materials.
- Fuel is highly flammable and must be handled with care. Never fill the tank when the engine is still hot from recent operation. Do NOT allow open flame, smoking or matches in the area. Avoid over-filling and wipe up any spills.

WARNING

Do NOT load this zero-turn rider on a trailer or truck using two separate ramps. Only use a single ramp that is at least one foot wider than the width of the rear wheels of this rider. This rider has a zero turning radius and the rear wheels could fall off the ramps, or the rider could tip over injuring the operator or bystanders.

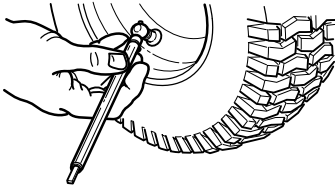


Checks Before Starting

- Check that the crankcase is filled to the full mark on the crankcase oil fill and dipstick. If necessary, add oil through the engine oil fill. See the engine Operator's manual for instructions, engine oil dipstick location and oil recommendations.
- Make sure all nuts, bolts, screws and pins are in place and tight.
- Adjust the seat position, and make certain you can reach all the controls from operator's position.
- Fill the fuel tank with fresh fuel. Refer to engine manual for fuel recommendations.
- Check the hydraulic oil level.
- Make sure that the fuel selector valve is in an "ON" position.

Checking Tire Pressures

Tire pressure should be checked periodically, and maintained at the levels shown in the Specifications chart. Note that these pressures may differ slightly from the "Max Inflation" stamped on the side-wall of the tires. The pressures shown provide proper traction and extend tire life.



Check Engine Oil Level

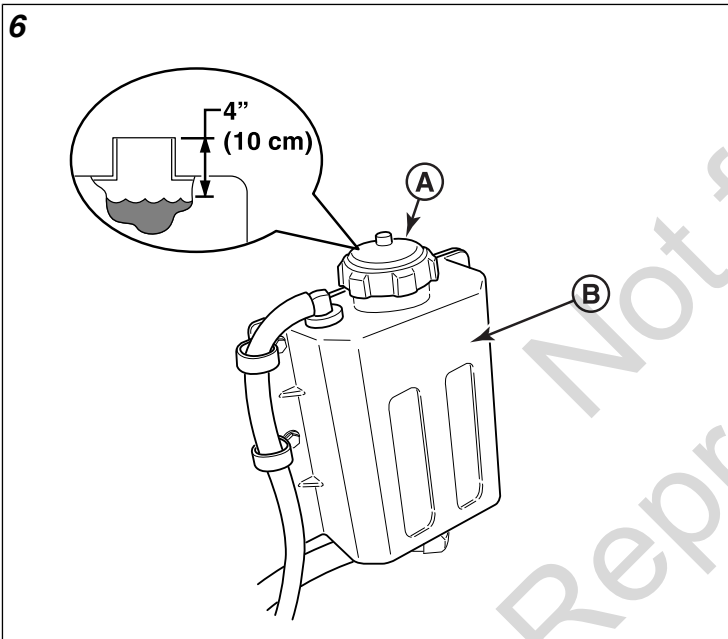
Interval: Before Each Use

Refer to the engine owners manual for dipstick and oil fill locations and specific engine oil check and fill procedures.

Check Hydraulic Oil Level

Interval: Before Each Use

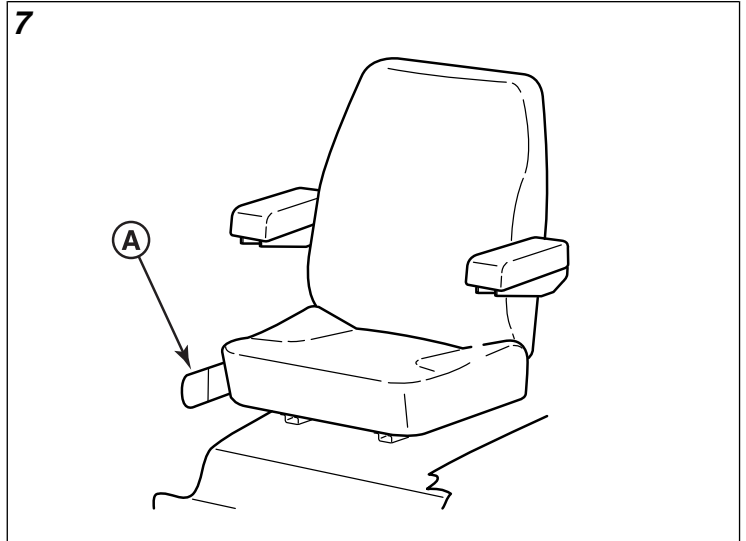
1. Before removing the reservoir cap, make sure the area around the reservoir cap and fill neck of the reservoir is free of dust, dirt, or other debris.
2. Unscrew the reservoir cap (A, Figure 6).



3. Look down the filler neck of the hydraulic oil reservoir (B) and observe the oil level. When cold, the oil level should be approximately 4" (10 cm) below top of the filler neck.
4. If necessary, add either Mobil 1™, 15W-50 synthetic oil or Castrol Syntec™ 5W-50 oil. DO NOT use conventional oils.
5. Reinstall the reservoir cap.

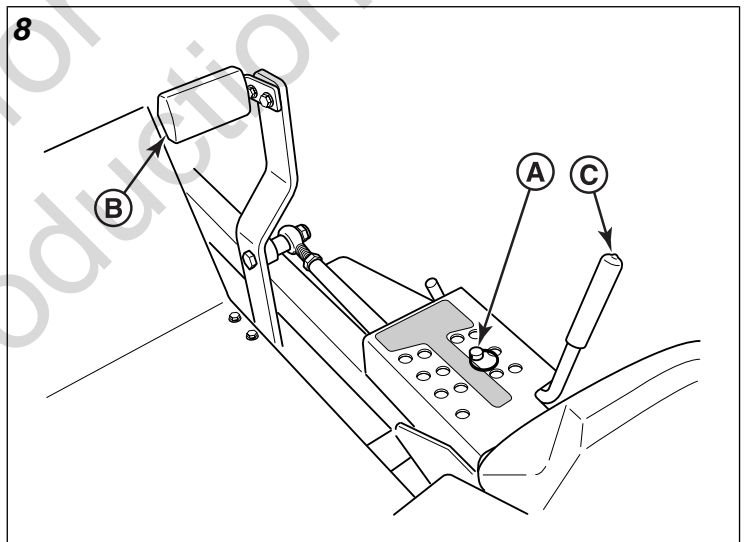
Seat Adjustment

The seat can be adjusted forward and back. Move the lever (A, Figure 7) towards the left, position the seat as desired, and release the lever to lock the seat into position.



Mowing Height Adjustment

The cutting height adjustment pin (A, Figure 8) controls the mower cutting height. The cutting height is adjustable between 1-3/4" (4,4 cm) and 5" (12,7 cm) in 1/4" (0,64 cm) increments.



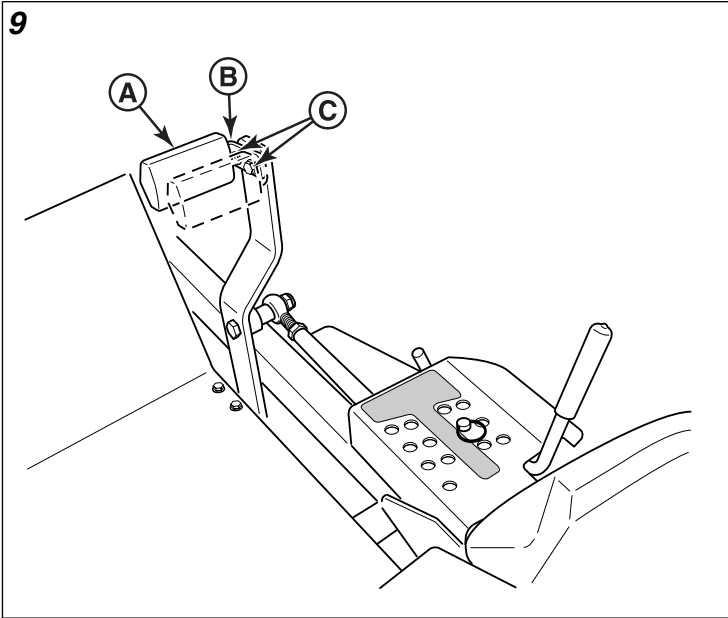
1. Depress the deck lift foot pedal (B) until it locks into the 5" (12,7 cm) position.
2. Place the cutting height adjustment pin in the desired cutting height.
3. Depress the deck lift foot pedal then push the lock lever (C) towards the right to release the lock.
4. Release the deck lift foot pedal until it comes to rest against the cutting height adjustment pin.

Foot Pedal Adjustment

The deck lift foot pedal can be adjusted to accommodate the operator's height for optimal comfort.

To adjust pedal position:

1. Remove the foot pedal (A, Figure 9) from the pedal mount tab (B).



2. Remove the pedal mount hardware (C) and rotate the tab 180 degrees.
3. Reinstall the pedal mount hardware and tighten securely.
4. Reinstall the foot pedal on the pedal mount tab in the proper orientation as shown in Figure 9.

Starting the Engine

WARNING

- If you do not understand how a specific control functions, or have not yet thoroughly read the *Features & Controls* section, do so now.
- Do NOT attempt to operate the tractor without first becoming familiar with the location and function of all controls.

1. While sitting in the operator's seat, engage the parking brake and make sure the PTO switch is disengaged and the ground speed control levers are locked in the neutral position.
2. **A warm engine may not require choking.** Set the engine throttle control to FAST throttle position. Then fully close the choke by pulling the knob OUT fully.
3. Insert the key into the ignition switch and turn it to START.
4. After the engine starts, gradually open the choke (push knob down fully). Reduce to half throttle speed and allow engine to warm. *Warm up the engine by running it for at least a minute before engaging the PTO switch or driving the rider.*
5. After warming the engine always operate the unit at FULL throttle when mowing.

In the event of an emergency the engine can be stopped by simply turning the ignition switch to STOP. Use this method only in emergency situations. For normal engine shut down follow the procedure given in *Stopping the Rider*.

Stopping the Rider

1. Returning the ground speed control levers to the middle position will stop rider movement. Pivot the levers outward and lock them in NEUTRAL.
2. Disengage the PTO by pushing down on the PTO switch.
3. Engage the parking brake by pulling the handle up until it locks into position.
4. Move the throttle control to mid-throttle position and turn the ignition key to OFF. Remove the key.

Zero-Turn Driving Practice

The lever controls of the Zero Turn rider are responsive, and learning to gain a smooth and efficient control of the rider's forward, reverse, and turning movements will take some practice.

Spending some time going through the maneuvers shown and becoming familiar with how the unit accelerates, travels, and steers — before you begin mowing — is absolutely essential to getting the most out of the Zero Turn rider.

Locate a smooth, flat area of your lawn — one with plenty of room to maneuver. (Clear the area of objects, people and animals before you begin.) Operate the unit at mid-throttle during this practice session (ALWAYS operate at full throttle when mowing), and turn slowly to prevent tire slippage and damage to your lawn.

We suggest you begin with the Smooth Travel procedure to the right, and then advance through the forward, reverse, and turning maneuvers.

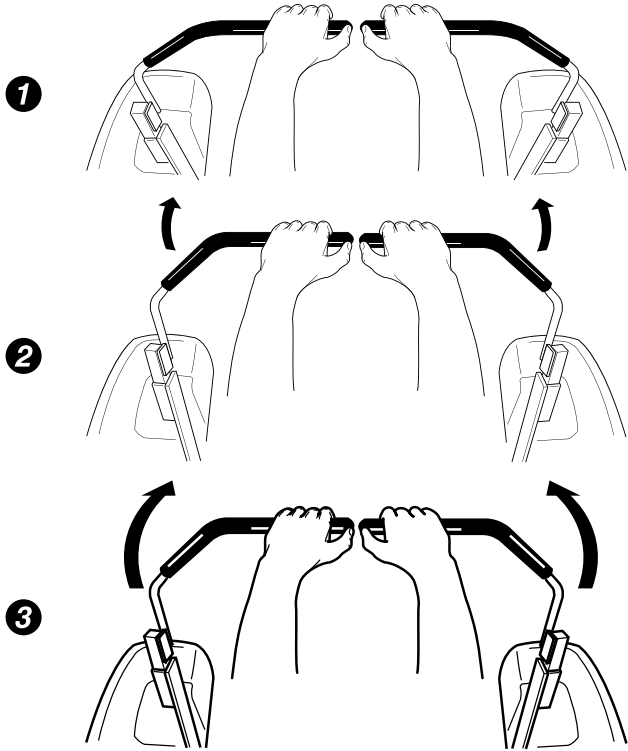
You must release the parking brake prior to moving the control levers inward.

Smooth Travel

The lever controls of the Zero Turn rider are responsive.

The BEST method of handling the ground speed control levers is in three steps — as shown in Figure 10.

10



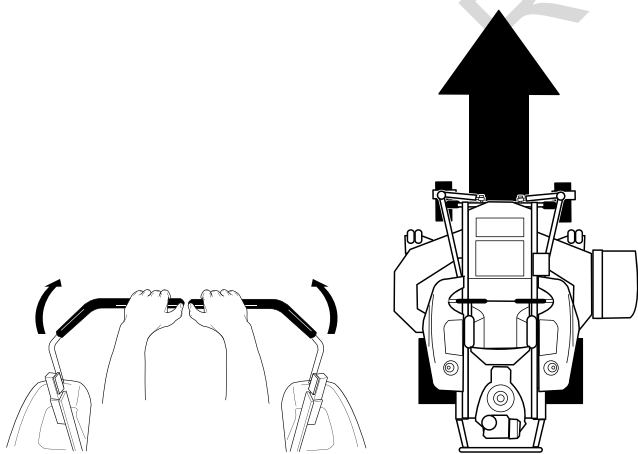
FIRST place your hands onto the levers as shown.

SECOND, to go forward gradually push the levers forward with your palms.

THIRD, to speed up move the levers farther forward. To slow down smoothly, slowly move the levers toward neutral.

Basic Driving Forward Travel Practice

11

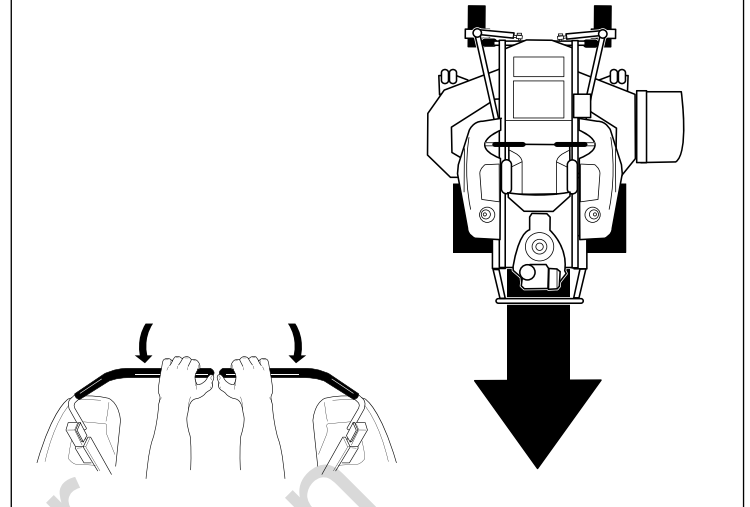


Gradually move both ground speed control levers — evenly **FORWARD** from neutral. Slow down and repeat.

NOTE: Straight forward travel takes practice. If necessary, top speed can be balance-adjusted — see the Speed Balancing Adjustment in the Adjustments section near the back of this manual.

Reverse Travel Practice

12

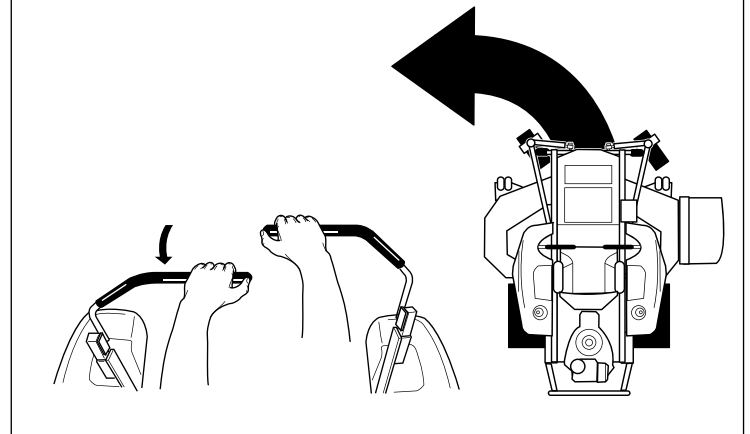


LOOK DOWN & BEHIND, then gradually move both ground speed control levers evenly **BACK** from neutral. Slow down and repeat.

NOTE: Practice backing up for several minutes before attempting to do so near objects. The rider turns sharply in reverse as well as forward, and backing up straight takes practice.

Practice Turning Around A Corner

13

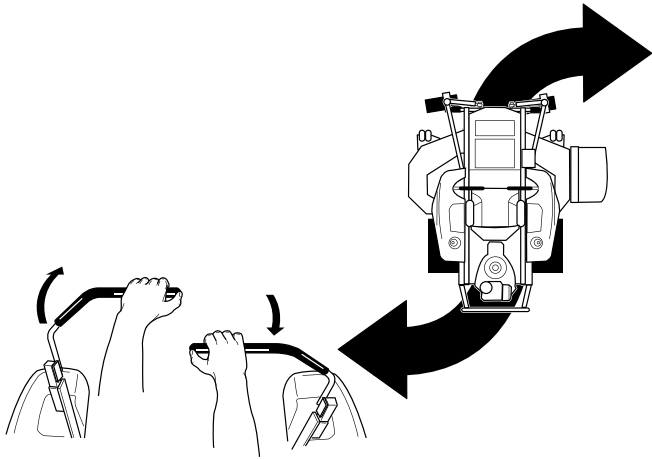


While traveling forward allow one handle to gradually return back toward neutral. Repeat several times.

NOTE: To prevent pivoting directly on the tire tread, it is best to keep both wheels going at least slightly forward.

Practice Turning in Place

14



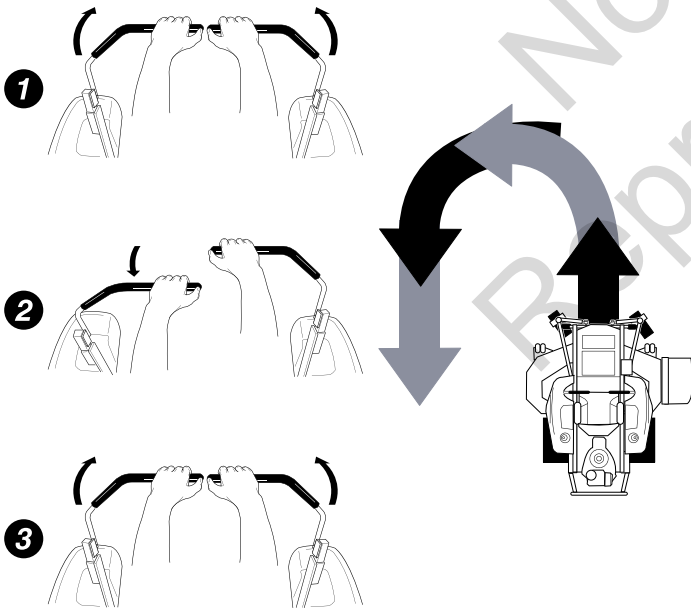
To turn in place, “Zero Turn,” gradually move one ground speed control lever forward from neutral and one lever back from neutral simultaneously. Repeat several times.

NOTE: Changing the amount each lever is pulled—forward or back, changes the “pivot point” you turn on.

Advanced Driving

Executing an End-Of-Row Zero Turn

15



Your Zero Turn Rider’s unique ability to turn in place allows you to turn around at the end of a cutting row rather than having to stop and Y-turn before starting a new row.

For example, to execute a left end-of row zero turn:

1. Slow down at the end of the row.

2. Move the RIGHT ground speed control lever forward slightly while moving the LEFT ground speed control lever back to center and then slightly back from center.
3. Begin mowing forward again.

This technique turns the rider LEFT and slightly overlaps the row just cut—eliminating the need to back up and re-cut missed grass.

As you become more familiar and experienced with operating the Zero Turn rider, you will learn more maneuvers that will make your mowing time easier and more enjoyable.

Remember, the more you practice, the better your control of the Zero Turn will be!

Mowing

1. Engage the parking brake. Make sure that the PTO switch is disengaged, the ground speed control levers are locked in the NEUTRAL position and the operator is in the seat.
2. Start the engine. See *Starting the Engine*.
3. Set the mower cutting height.
4. Set the throttle to FULL.
5. Engage the PTO by pulling up on the PTO switch.
6. Begin mowing.
7. When finished, shut off the PTO.
8. Stop the engine. See *Stopping the Rider*.

Mowing Recommendations

Several factors can affect how well your machine cuts grass. Following proper mowing recommendations can improve the performance and life of your machine.

Height of Grass

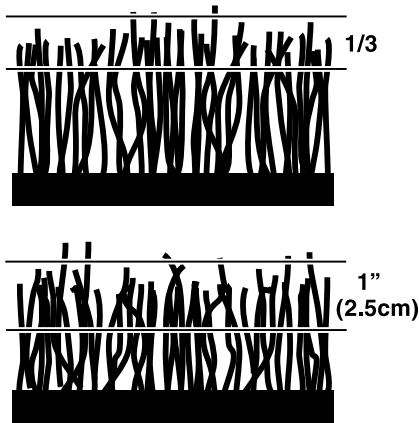
Often cutting height is a matter of personal preference. Typically, you should mow the grass when it is between three and five inches high. The proper cutting height range for a specific lawn will depend upon several factors, including the type of grass, the amount of rainfall, the prevailing temperature, and the lawn’s overall condition.

Cutting the grass too short causes weak, thin grass plants, which are easily damaged by dry periods and pests. Cutting too short is often more damaging than allowing the grass to be slightly higher.

Letting grass grow a bit longer—especially when it is hot and dry—reduces heat build-up, preserves needed moisture and protects the grass from heat damage and other problems. However, allowing grass to grow too high can cause thin turf and additional problems.

Cutting off too much at one time shocks the plant’s growth system and weakens the grass plants. **A good rule of thumb is the 1/3 rule: to cut no more than one third of the grass height, and never more than 1 inch at a time.**

16

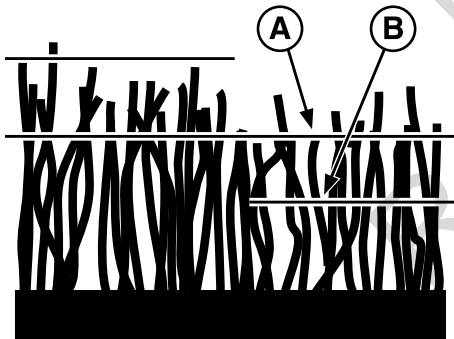


The amount of grass you are able to cut in one pass is also effected by the type of mowing system you are using (for example, broadcasting with side discharge decks can process a much larger volume of grass than mulching does).

Tall grass requires incremental cutting. For extremely tall grass, set the cutting height at maximum for the first pass (A, Figure 17), and then reset it to the desired height and mow a second (B) or third time.

Don't cover the grass surface with a heavy layer of clippings. Consider using a grass collection system and starting a compost pile.

17



When and How Often to Mow

The time of day and condition of the grass greatly affect the results you'll get when mowing. For the best results, follow these guidelines:

- Mow when the grass is between three and five inches high.
- Mow with sharp blades. Short clippings of grass one inch or shorter decompose more quickly than longer blades. Sharp mower blades cut grass cleanly and efficiently, preventing frayed edges which harm the grass.

- Mow at time of day when the grass is cool and dry. Late afternoon or early evening often provide these ideal mowing conditions.
- Avoid mowing after rain or even heavy dew, and never mulch when the grass is wet (moist grass does not mulch well, and clumps beneath the mower deck).

Mowing Patterns

Always start mowing on a smooth, level area.

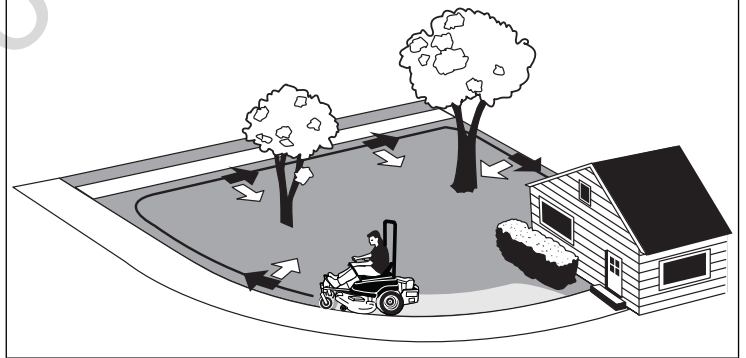
The size and type of area to be mowed will determine the best mowing pattern to use. Obstructions such as trees, fences and buildings, and conditions such as slopes and grades must also be considered.

- Cut long straight strips overlapping slightly.
- Where possible, change patterns occasionally to eliminate matting, graining or a corrugated appearance.
- For a truly professional cut, mow across the lawn in one direction, then re-cut the lawn by mowing perpendicular to the previous cut.

NOTE: Always operate the engine at FULL THROTTLE when mowing.

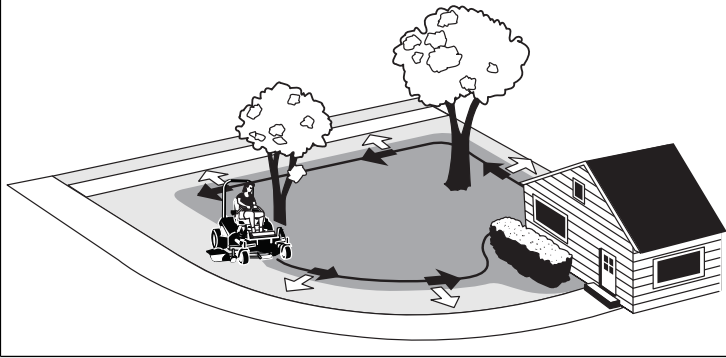
If you hear the engine slowing down, you are mowing too fast—using a slower ground speed will improve the cutting efficiency of the blades and prevents many common cutting problems. Use an appropriate ground speed for the thickness and height of the grass you are cutting (3rd gear or slower for manual gear models). If you hear the engine slowing down you are mowing too fast, use a slower ground speed.

18



Where possible, make one or two passes around the outside of the area discharging the grass INTO the lawn to keep the cut grass off fences and walks.

19



The remainder of the mowing should be done in the opposite direction so that the clippings are dispersed OUT onto the area of lawn previously cut.

Mowing Methods

Broadcast Mowing

Broadcasting, or side-discharging, disperses fine clippings evenly over the entire lawn. Many golf courses use this method. Your mower has a deep dish deck to allow freer circulation of clippings so they are broadcast evenly over the lawn.

Engine Speed & Ground Speed for Broadcasting:

Always operate the engine at full throttle when mowing. If you hear the engine slowing down, you are mowing too fast—using a slower ground speed will improve the cutting efficiency of the blades and prevents many common cutting problems.

ALWAYS use an appropriate ground speed for the thickness and height of the grass you are cutting (3rd gear or slower for manual gear models). If you hear the engine slowing down you are mowing too fast, use a slower ground speed.

How Much Grass to Cut Off When Broadcasting:

Mow when the grass is 3-5 inches long. Do not cut the grass shorter than 2 to 2-1/2 inches. Do not cut off more than 1 inch of grass in a single pass.

Mulching

Mulching consists of a mower deck which cuts and re-cuts clippings into tiny particles and which then blows them down INTO the lawn. These tiny particles decompose rapidly into by-products your lawn can use. UNDER PROPER CONDITIONS, your mulching mower will virtually eliminate noticeable clippings on the lawn surface.

NOTE: When mulching under heavy cutting conditions, a rumbling sound may be present and is normal.

Mulching Requires EXCELLENT Mowing Conditions:

Mulching mowers cannot function properly if the grass is wet, or if the grass is simply too high to cut. Even more than normal mowing, mulching requires that the grass be dry and the appropriate amount is cut.

Do not use the mower as a mulching mower during the first two or three mowings in the spring. The long grass blades, quick growth, and often wetter conditions are more suitable for broadcasting (side-discharging) or grass bagging operation.

Engine Speed & Ground Speed for Mulching:

Use full engine throttle matched with a slow ground speed so that clippings will be finely cut. Ground speed while mulching should be HALF of the speed that would be used when broadcasting (side discharging) under similar conditions. Since mulching requires more horsepower than broadcasting, using a slower ground speed is vitally important for proper mulching operation.

How Much Grass to Mulch:

The best mulching action typically results from cutting only the top 1/2 inch to 3/4 inch of grass blade. This provides short clippings which decompose properly (much more quickly than longer clippings). The ideal cutting height will vary with climate, time of year, and quality of your lawn. We recommend that you experiment with both the cutting height and ground speed until you achieve the best cut. Start with a high cutting height and using progressively lower settings until you find a cutting height that is matched to your mowing conditions and preferences.

Pushing the Rider By Hand

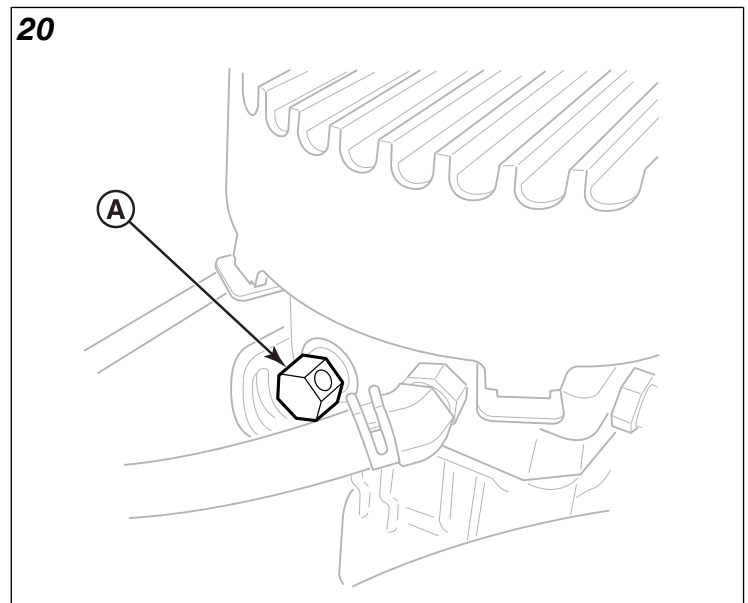
NOTICE

Do not tow rider.

Towing the unit will cause hydraulic pump and wheel motor damage. Do not use another vehicle to push or pull this unit.

1. Disengage the PTO, engage the parking brake, turn the ignition OFF, and remove the key.
2. Lift the seat plate to gain access to the hydraulic pumps.
3. To disengage the pumps (free-wheel position), turn the hydraulic release valves (A, Figure 20) located on the pumps **counter-clockwise** a maximum of two full turns.

20



- Disengage the parking brake. The tractor can now be pushed by hand.
- After moving the tractor, re-engage the pumps (drive position) by turning the release valves **clockwise** and tighten to 80-120 in. lbs. of torque.

Raise and Lower the Roll Bar



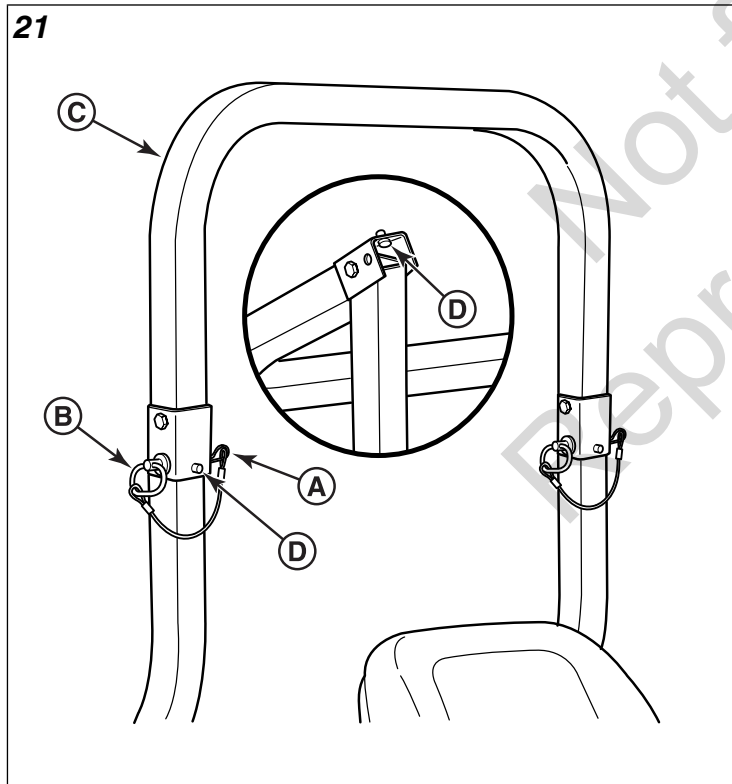
WARNING

Avoid serious injury or death from roll over:

- Keep roll bar in the raised position and use seat belt.
- There is no roll over protection when the roll bar is down.
- Lower the rollbar only when necessary and NEVER remove it.
- Do NOT use seat belt when the roll bar is down.
- Raise the roll bar as soon as clearance permits.
- Do NOT jump off if mower tips.

To lower the roll bar:

- Pull the hair pin clips (A, Figure 21) out of the retainer pins (B).



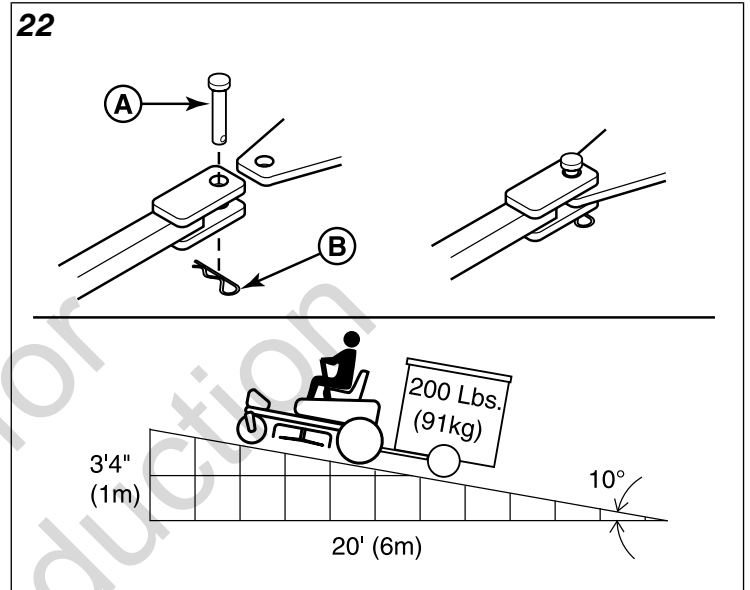
- Push or pull the top of the roll bar (C) forward against the rubber stops (D) and remove the retainer pins (B).
- Lower the roll bar and reinstall the retainer pins and hair pin clips to secure the roll bar in the down position (see insert, Figure 21).

To raise the roll bar:

- Pull the hair pin clips (A) out of the retainer pins (B) and remove the retainer pins.
- Raise the roll bar (C) until the rubber stops (D) contact the upright tubes.
- Push or pull the top of the roll bar forward against the rubber stops and reinstall the retainer pins and hair pin clips to secure the roll bar in the raised position.

Attaching a Trailer

The maximum weight of a towed trailer should be less than 200 lbs (91kg). Secure the trailer with an appropriately sized clevis pin (A, Figure 22) and clip (B).



Excessive towed loads can cause loss of traction and loss of control on slopes. Reduce towed weight when operating on slopes. The surface being driven on greatly impacts traction and stability. Wet or slippery surfaces can greatly reduce traction and the ability to stop or turn. Carefully evaluate the surface conditions before operating the unit and trailer, and never operate on slopes greater than 10°. See SLOPE OPERATION and TOWED EQUIPMENT in the safety section of this manual for additional safety information.

Storage



WARNING

Fuel and its vapors are extremely flammable and explosive.

Fire or explosion can cause severe burns or death.

- Never store the unit, with gasoline in the engine or the fuel tank, in a heated shelter or in an enclosed, poorly ventilated enclosures. Gasoline fumes may reach an open flame, spark or pilot light (such as a furnace, water heater, clothes dryer, etc.) and cause an explosion.
- Handle gasoline carefully. It is highly flammable and careless use could result in serious fire damage to your person or property.
- Drain fuel into an approved container outdoors away from open flame or sparks.

Temporary Storage (30 Days or Less):

Remember, the fuel tank will still contain some gasoline, so never store the unit indoors or in any other area where fuel vapor could travel to any ignition source. Fuel vapor is also toxic if inhaled, so never store the unit in any structure used for human or animal habitation.

Here is a checklist of things to do when storing your unit temporarily or in between uses:

- Keep the unit in an area away from where children may come into contact with it. If there's any chance of unauthorized use, remove the spark plug(s) and put in a safe place. Be sure the spark plug opening is protected from foreign objects with a suitable cover.
- If the unit can't be stored on a reasonable level surface, chock the wheels.
- Clean all grass and dirt from the mower.

Long Term Storage (Longer Than 30 Days)

Before you store your unit for the off-season, read the Maintenance and Storage instructions in the Safety Rules section, then perform the following steps:

- Drain crankcase oil while engine is hot and refill with a grade of oil that will be required when unit is used again.
- Prepare the mower deck for storage as follows:
 1. Remove mower deck from the unit.
 2. Clean underside of mower deck.
 3. Coat all bare metal surfaces with paint or light coat of oil to prevent rusting.
- Clean external surfaces and engine.
- Prepare engine for storage. See engine operator's manual.
- Clean any dirt or grass from cylinder head cooling fins, engine housing and air cleaner element.
- Cover air cleaner and exhaust outlet tightly with plastic or other waterproof material to keep out moisture, dirt and insects.

- Completely grease and oil unit as outlined in the Lubrication section.
- Clean up unit and apply paint or rust preventative to any areas where paint is chipped or damaged.

Maintenance Schedule

UNIT MAINTENANCE	
Before Each Use	
Check Safety Interlock System	
Check Rider Brakes	
Check Rider / Mower for Loose Hardware	
Check Hydraulic Oil Level	
Every 25 Hours	
Clean Deck & Check/Replace Mower Blades*	
Lubricate Rider & Mower*	
Check Tire Pressures	
Every 100 Hours	
Check Mower Blade Stopping Time	
Clean Battery & Cables	
Every 250 Hours	
Change Hydraulic Oil & Filter	
ENGINE MAINTENANCE	
Before Each Use	
Check Engine Oil Level	
Every 25 Hours	
Check/Clean Cooling Fins & Intake*	
Every 50 Hours	
Check/Clean Spark Arrester**	
Refer to Engine Owner's Manual	
Service Air Filter	
Change Oil & Filter	
Check/Replace Spark Plugs	
Check/Replace Fuel Filter	

*More often in hot (over 85°F, 30°C) weather or dusty operating conditions.

**If equipped, replace if damaged.

Maintenance Procedures

Checking / Adding Fuel

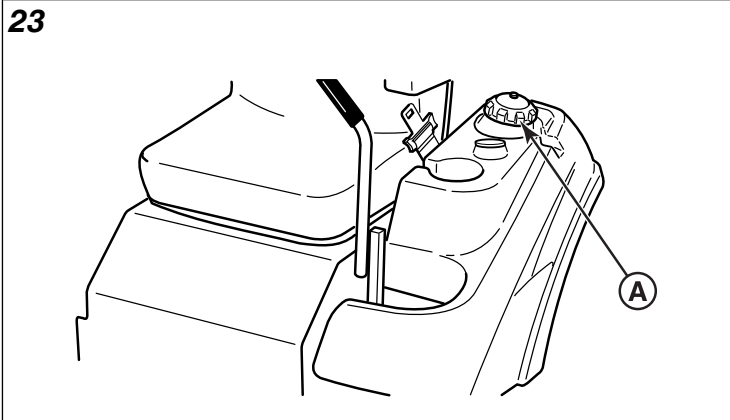


WARNING

Gasoline is highly flammable and must be handled with care. Never fill the tank when the engine is still hot from recent operation. Do not allow open flame, smoking or matches in the area. Avoid over-filling and wipe up any spills.

To add fuel:

1. Remove the fuel cap (A, Figure 23).



2. Fill the fuel tank to the bottom of the filler neck. This will allow for fuel expansion.
Note: Do not overfill. Refer to your engine owner's manual for specific fuel recommendations.
3. Install and hand tighten the fuel cap.

NOTICE

Do not use gasoline containing METHANOL, gasohol containing more than 10% ethanol, gasoline additives, premium gasoline, or white grass because engine/fuel system could result.

Replacing the Fuel Filter



Fuel and its vapors are extremely flammable and explosive.

Fire or explosion can cause severe burns or death.

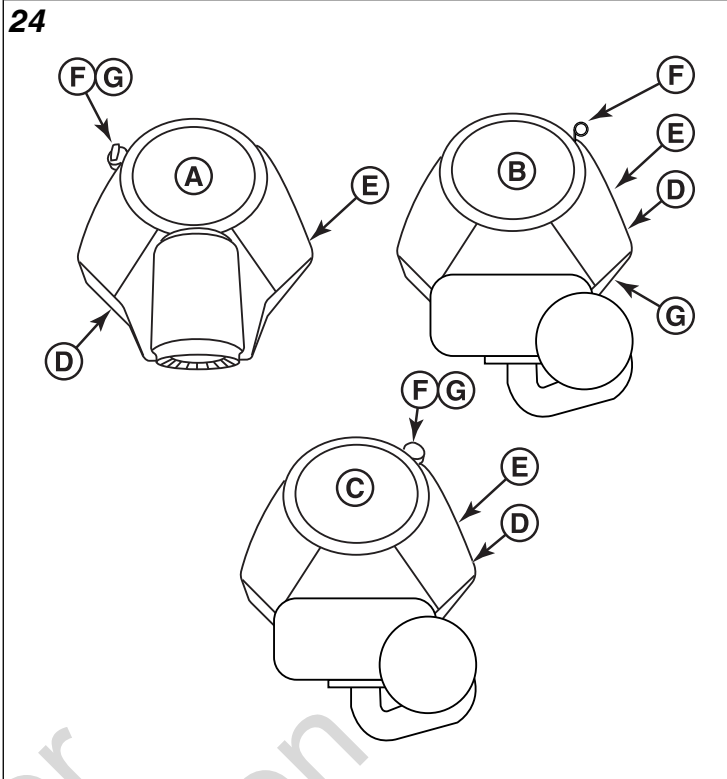
Do NOT remove the fuel filter when the engine is hot, as spilled gasoline may ignite. Do NOT spread hose clamps further than necessary. Ensure clamps grip hoses firmly over filter after installation.

The fuel filter is located in the fuel line between fuel tank and carburetor, near the fuel pump. If filter is dirty or clogged, replace as follows:

1. Disconnect the negative battery cable.
2. Place a container below the filter to catch spilled fuel.
3. Using a pliers, open and slide hose clamps from fuel filter.
4. Remove hoses from filter.
5. Install new filter in proper flow direction in fuel line.
6. Secure with hose clamps.
7. Reconnect the negative battery cable when finished.

Changing the Engine Oil and Filter

This series of mower has different engine options: Briggs & Stratton Commercial Turf (A, Figure 24), Briggs & Stratton Big Block (B) and Kawasaki (C). Please reference figure 24 as the location of the components listed for this procedure may vary by specific engine option.



1. Warm engine by running for a few minutes. (Refer to the engine operator's manual for oil & filter replacement instructions.)
2. Remove the oil drain hose (D) from its storage position and route the hose so that when the oil drain cap is removed the oil can be drained into a small pan.
3. Place a small pan under the oil drain hose to catch the oil. Using the appropriate tools, remove the oil drain cap from the oil drain hose and drain the engine oil.
4. After draining, replace the cap and wipe up any spilled oil. Reinstall the oil drain hose to its storage position so it is retained during normal operation.
5. Place an absorbent shop cloth under the engine oil filter (E). Remove the engine oil filter and replace with a new one.
6. Add engine oil (refer to engine operator's manual) in the fill tube (F) and check the amount of oil in the engine using the engine oil dipstick (G).
7. Remove the shop cloth and wipe up any spilled oil.

Engine Maintenance

For engine maintenance schedules and procedures, please refer to the engine operator's manual.

Inspect Muffler and Spark Arrester

Inspect the muffler for cracks, corrosion, or other damage. Remove the spark arrester, if equipped, and inspect for damage or carbon blockage. If replacement parts are required, make sure to use only original equipment replacement parts.

WARNING

Replacement parts must be the same and installed in the same position as the original parts or fire could result.

Change Hydraulic Oil Filter

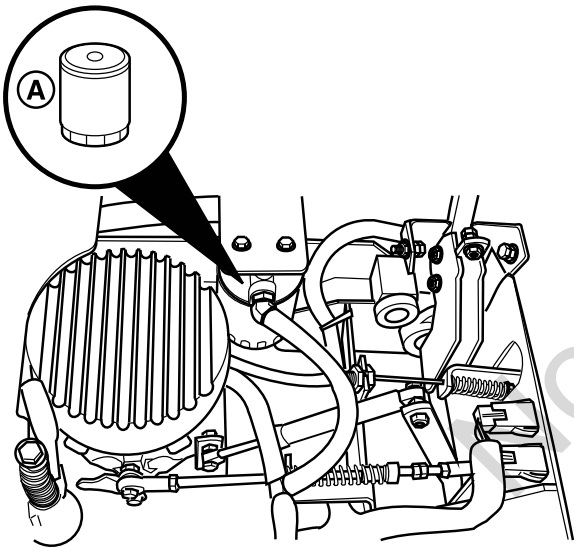
Change Interval: Every 250 Hours

Filter Part Number: 1719168

NOTE: Removing the oil filter from the filter base will drain the oil reservoir. Have a suitable container ready to catch any spilled oil. It is recommended that this be a dealer-only service item.

1. Locate the transmission oil filter (A, Figure 25). Use Figure 25 to determine the location of the filter.

25




2. Lubricate the new filter base with a few drops of transmission oil. Fill the filter half full of oil.
3. Clean the area around the filter base and remove the filter. Do NOT drain the hydraulic system oil
4. Thread the new filter onto the filter base until the gasket makes contact, then tighten 3/4 of a turn more.
5. Run the unit for several minutes and check the transmission oil level.

NOTE: Use caution after changing the filter; air in the hydraulic system may affect the responsiveness of the control levers. Repeat step # 5 until the air is out of the system.

Lubrication

Lubricate the unit at the locations shown in Figures 26, 27, 28 and 29 as well as the following lubrication points:


Grease

	front caster wheel axles & yokes
	deck lift pivot blocks
	mower deck spindles
	mower deck idler arm

Use grease fittings when present. Disassemble parts to apply grease to moving parts when grease fittings are not installed.

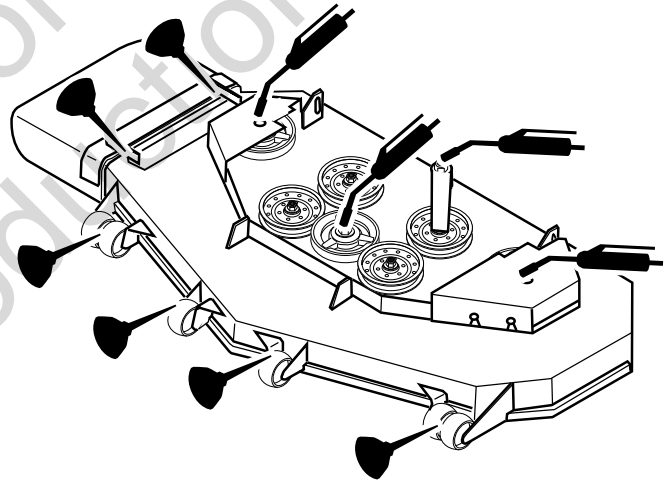
Not all greases are compatible. Red grease (p/n 5022285) is recommended, automotive-type, high-temperature, lithium grease may be used when this is not available.

Oil

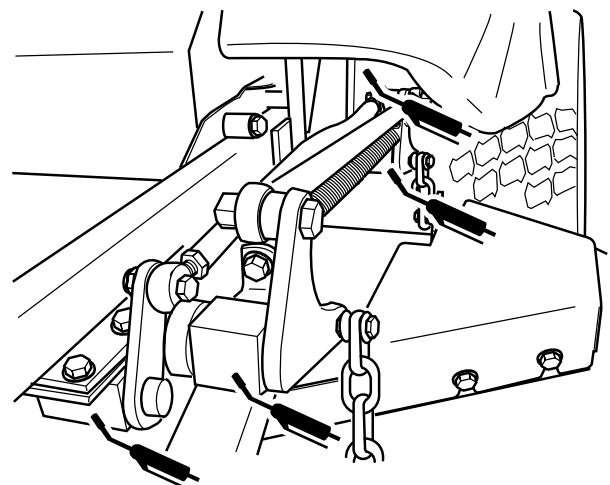
	control handle pivots
	seat plate pivots
	deck lift pivots
	discharge chute hinge

Generally, all moving metal parts should be oiled where contact is made with other parts. Keep oil and grease off belts and pulleys. Remember to wipe fitting and surfaces clean both before and after lubrication.

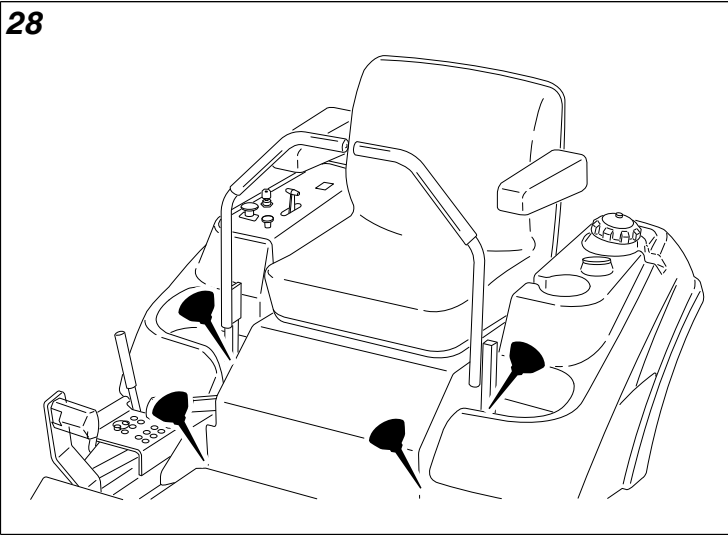
26



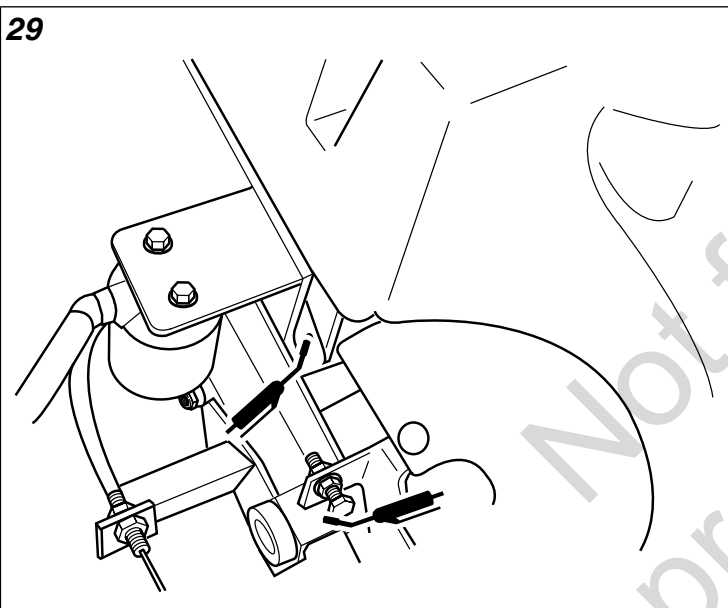
27



28



29

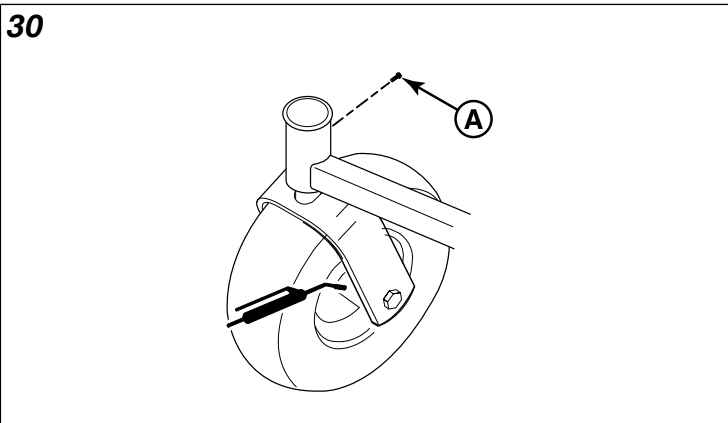


Lubricate the Front Casters

Interval: Annually

1. Remove the 1/4-28 bolt (A, Figure 30) screwed into the caster and install a 1/4-28 grease fitting.

30



2. Grease the front caster.

3. Remove the 1/4-28 grease fitting and reinstall the 1/4-28 bolt.
4. Repeat the process for the other side of the machine.

Servicing the Mower Blades

Removing the Mower Blades



CAUTION

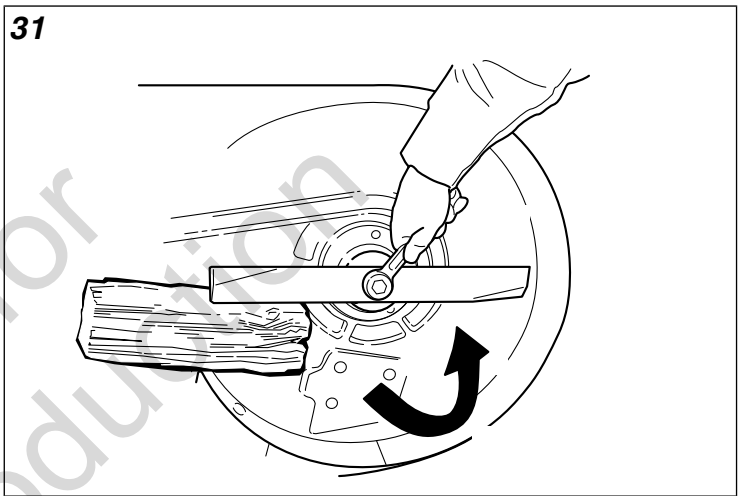
Laceration hazard

Mower blades are sharp.

Always wear gloves when handling, or working near, mower blades.

1. Use a block of wood to prevent the mower blade from turning as shown in Figure 31.

31



2. Using a wrench, remove the bolt securing the blade to the spindle.

Inspecting the Mower Blades



DANGER



Thrown objects hazard

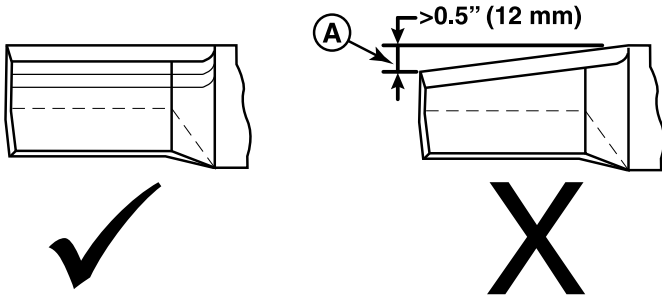
Avoid injury: a worn or damaged mower blade can break and a piece of the blade could be thrown into the operator's area or bystander's area resulting in serious personal injury or death.

- Inspect the mower blade every 25 hours or at least once per year.
- If the mower blade hits a solid object, stop the engine immediately and inspect the mower blades.
- Never weld or straighten bent mower blades.

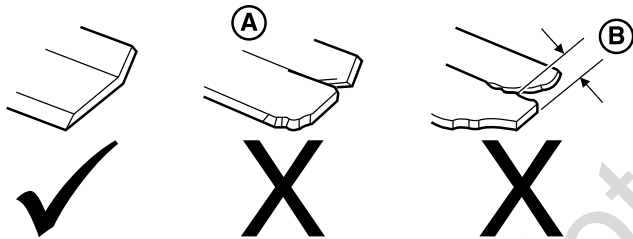
1. Remove the mower blade from the unit. See Removing the Mower Blades.
2. Inspect the mower blade (Figures 32 and 33). Discard the mower blade if it has any of the following conditions:

- More than .5" (12,7 mm) of the mower blade metal has been removed from previous sharpening or wear (A, Figure 32)
- The air lifts are excessively eroded (A, Figure 33) and the notch (B) is .25" (6,35 mm) deep or greater.
- The mower blade is broken or bent.

32



33



3. If the cutting edges are not sharp or have nicks, sharpen the blades. See Sharpening the Mower Blades.

Sharpening the Mower Blades



WARNING

Thrown objects and fire hazard

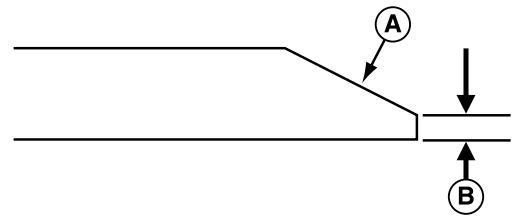
Grinding mower blades throws sparks and fine metal particles that are capable of igniting gasoline and gasoline vapors, and that can injure unprotected eyes.

Be sure all flammable materials are cleared from the area where grinding will occur.

Always wear safety glasses or goggles when grinding mower blades.

1. Sharpen mower blades with a grinder, hand file, or electric blade sharpener.
2. Sharpen the blade by removing an equal amount of material from the cutting edge of each end of the blade.
3. Keep the original bevel (A, Figure 34) when grinding. DO NOT change the mower blade bevel.

34



4. The mower blade should have a maximum of 1/64" (0,40 mm) cutting edge (B) or less.

Balancing the Mower Blades



CAUTION

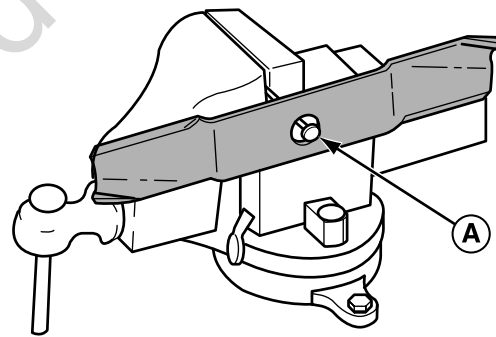
Thrown objects hazard

An unbalanced mower blade can create excessive vibration and damage the unit, or cause mower blade failure resulting in thrown debris.

Be sure blade is balanced before installing.

1. Clean the mower blade to remove any dried grass or other debris.
2. Clamp a nail in a bench vise, hang the mower blade on the nail, and position the blade in a level horizontal position as shown in Figure 35.

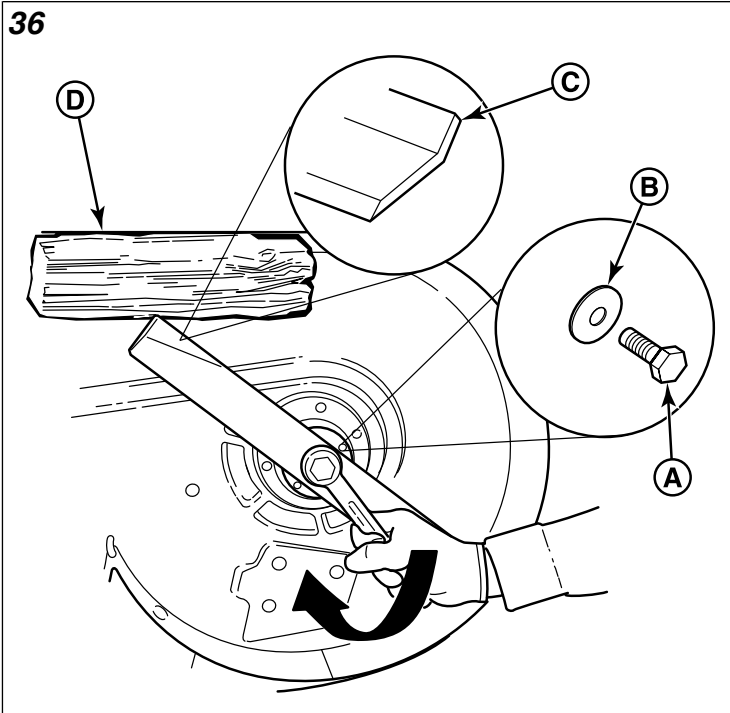
35



3. Check the balance of the mower blade. If either end of the mower blade moves downward is heavier than the other. Sharpen the heavy end until balance is achieved. See Sharpening the Mower Blades for sharpening instructions.
4. Repeat the process until the mower blade remains in the horizontal, level position.

Installing Mower Blades

1. Reinstall each mower blade with the air lifts (C, Figure 36) pointing up towards the mower deck as shown in Figure 36. Secure with the mower blade mounting bolt and flat washer (A & B). Wedge a wooden block (D) between the mower blade and the mower deck housing to keep the mower blade from turning and torque to 70 ft. lbs (94 Nm).

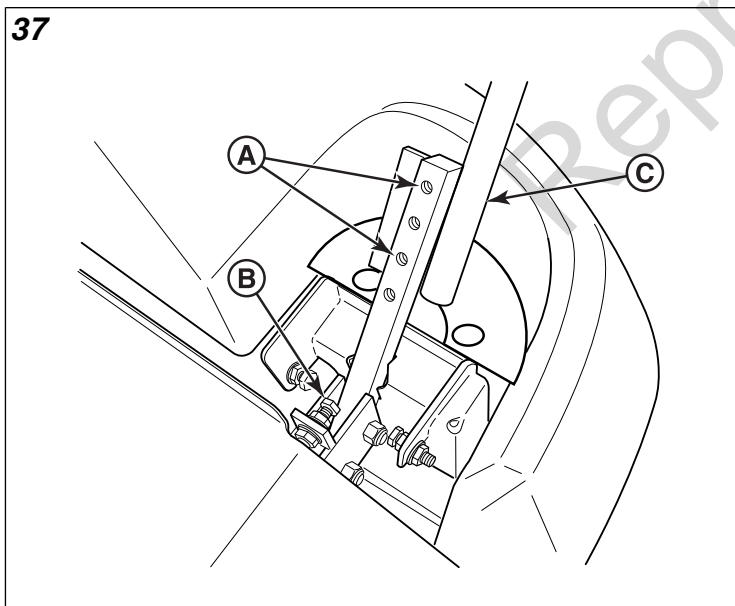


Ground Speed Control Lever Adjustment

The control levers can be adjusted in three ways. The alignment of the control levers, the placement of the levers (how close the ends are to one another) and the height of the levers can be adjusted.

To Adjust the Handle Alignment

Loosen the mount bolts (A, Figure 37) and pivot the lever(s) (C) to align with each other.



To Adjust the Handle Placement

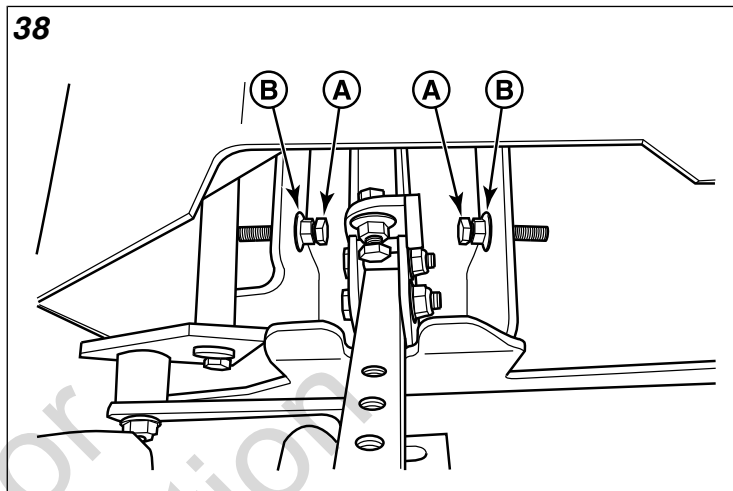
Loosen the jam nuts and adjust the placement bolt (B) in or out to properly adjust the lever end spacing.

To Adjust the Handle Height

Remove the mounting hardware and reposition the handle either up or down from its original position. You will need to readjust the handle alignment as described above.

Speed Balancing Adjustment

If the rider veers to the right or left when the ground speed control levers are in the maximum forward position, the top speed of each of these levers can be balanced by turning the adjustment bolt(s) (A, Figure 38). Only adjust the speed of the wheel that is traveling faster.



To Reduce the Speed of the Faster Wheel

1. Loosen the securing nut (B).
2. Turn the top speed adjustment bolt **counter-clockwise** to reduce the speed.
3. Retighten the securing nut when adjustment is complete.



WARNING

DO NOT adjust the tractor for a faster overall speed forward or reverse than it was designed for.

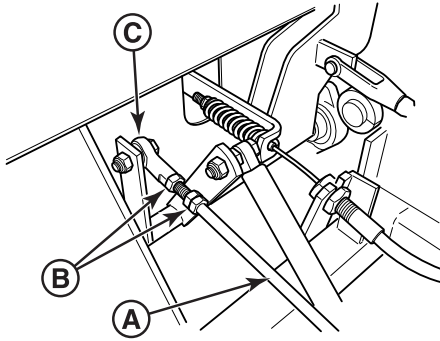
Neutral Adjustment

If the tractor "creeps" while the ground speed control levers are locked in the NEUTRAL, then it may be necessary to adjust the linkage rod.

NOTE: Perform this adjustment on a hard, level surface such as a concrete floor.

1. Disengage the PTO, engage the parking brake and turn off the engine.
2. There are three nuts (B, Figure 39) on the linkage rod. The first two are to be used together to run the rod and the third (towards the front of the machine) is used to lock the rod in place. Loosen the jam nut that locks against the ball joint (C) and turn the linkage rod (A) to adjust.

39



- If the machine creeps forward, turn the rod **clockwise** (while standing at the rear of the machine, facing forward);
- If the machine creeps backward, turn the rod **counter-clockwise**.

3. Lock the jam nut against the ball joint when neutral is achieved.

NOTE: This adjustment should not be performed while the machine is running. It may take several attempts to achieve neutral, depending on how much the machine creeps.

Return-to-Neutral Adjustment

Determining If Adjustment is Necessary

To determine if it is necessary to adjust the neutral return, perform the following steps.

1. Disengage the PTO, engage the parking brake and turn off the engine.
2. Move the ground speed control levers into the operating position, pull rearward and release.
3. Move the ground speed control levers out towards the NEUTRAL position.
 - If the levers align with the notches in the neutral lock plate, no adjustment is necessary.
 - If the levers **do not** align with the notches in the neutral lock plate, adjustment is necessary.

Adjustment - Ball Joint Fastened Neutral Return Rods

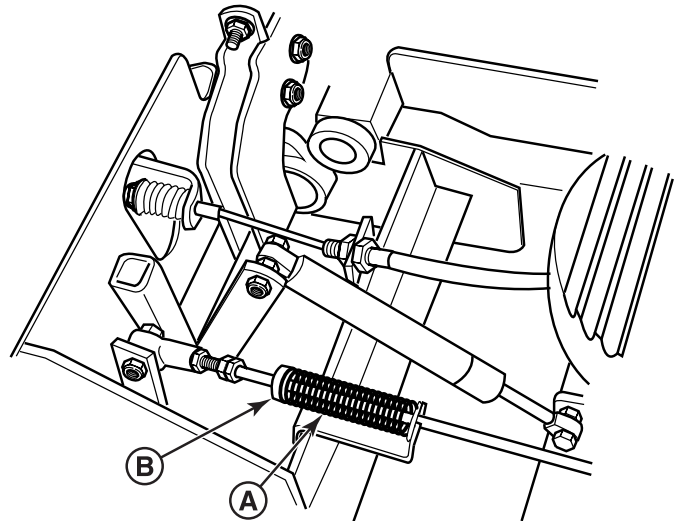


WARNING

To avoid serious injury, perform adjustments only with engine stopped, key removed and tractor on level ground.

1. Loosen the set collar (B, Figure 40) locked against the return spring (A).

40



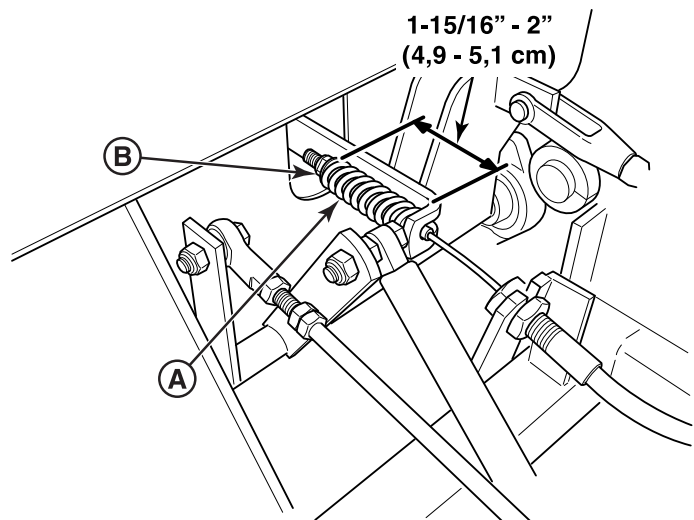
2. Lock the ground speed control levers in neutral.
3. Tighten set collar against the return spring.
4. Pull lever rearward and release to check that the lever stops aligned with notch in the neutral lock plate.

NOTE: It is important to note that after every adjustment of the neutral return rod, the lever must be pulled rearward and released to properly check the neutral position.

Parking Brake Adjustment

1. Disengage the PTO, engage the parking brake, stop the engine and remove the ignition key.
2. Raise the seat plate.
3. Locate the parking brake springs (A, Figure 41).

41



4. With the parking brake engaged, measure the compressed spring length. The spring should measure in the range of 1-15/16" - 2" (4,9 - 5,1 cm) when compressed.

- If the spring is not within this range release the parking brake and turn the adjustment nut (B) to compress or release the spring.
- Engage the parking brake and re-measure spring.

CAUTION

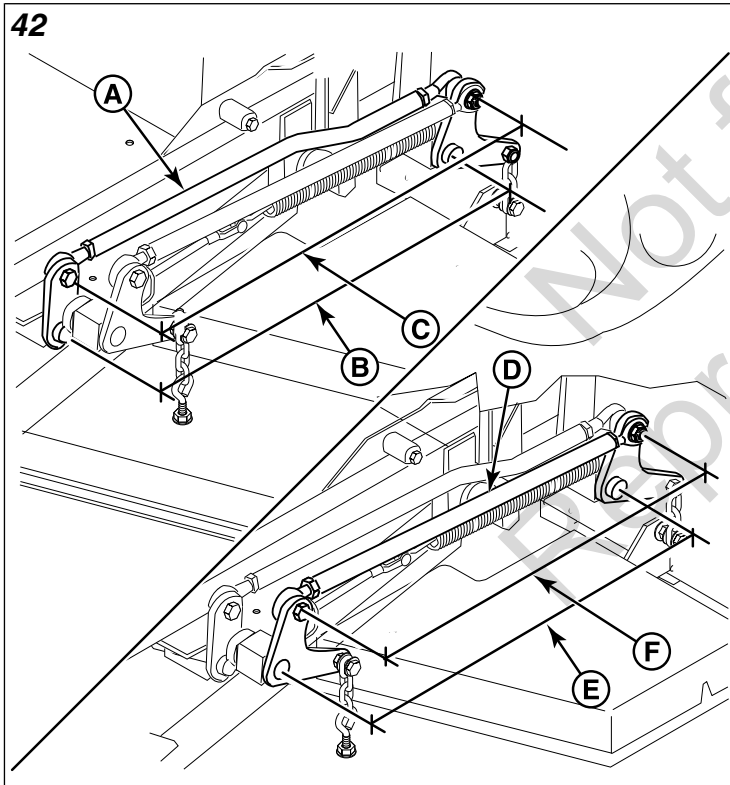
Do not adjust the spring to be shorter than 1-15/16" (4,9 cm) when compressed. This may damage the brake mechanism.

If this does not correct the braking problem, see your dealer.

Deck Lift Rod Timing Adjustment

Checking the Deck Lift Rod Timing

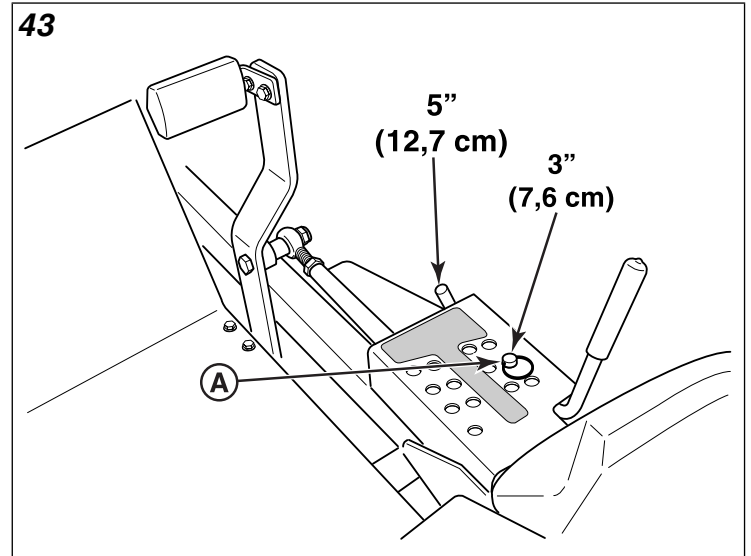
- Park machine on a flat, level surface. Disengage the PTO, stop the engine, and engage the parking brake. Verify the tires are inflated to the correct pressure.
- To check the inner lift rod (A, Figure 42) timing, measure and record the distance between the inner lift pivots (B) and the inner rod pivots (C). Repeat for other side of unit.



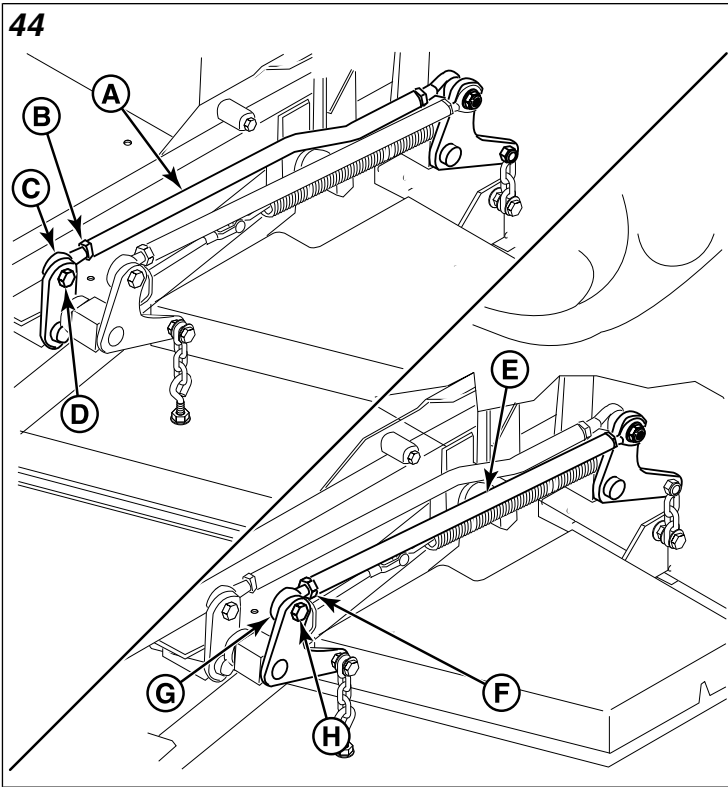
- To check the outer lift rod (D) timing, measure and record the distance between the outer lift pivots (E) and the outer rod pivots (F). Repeat for other side of unit.
- If the measurements for the inner rods are equal, and the measurements for the outer rods are equal, no further adjustment is required. If the measurements are NOT equal (greater than 1/8" (3,17 mm) difference), adjustment is required, continue with Adjusting the Deck Lift Rod Timing.

Adjusting the Deck Lift Rod Timing

- Lock the deck lift pedal in the 5" (12,7cm) position. Remove the height adjustment pin (A, Figure 43) and lower the mower deck.



- To ensure that the deck is in the lowest position, push the pedal by hand towards the rear of the unit and install the height adjustment pin in the 3" (7.6 cm) position to hold in place.
- Block up the mower deck until all hanger chains are slack.
- To adjust the inner lift rod (A, Figure 44): Loosen the jam nut (B) on the front ball joint (C) then remove the 1/2" hardware (D) fastening the ball joint to the lift pivot arm. Turn the ball joint **clockwise** to shorten the distance between the rod pivots or **counter-clockwise** to lengthen the distance between the rod pivots. Reinstall the ball joint on the lift pivot arm and secure with the 1/2" hardware previously removed. Tighten the jam nut against the lift rod.



5. To adjust the outer lift rod (E): Loosen the jam nut (F) on the front ball joint (G) then remove the 1/2" hardware (H) fastening the ball joint to the lift pivot arm. Turn the ball joint **clockwise** to shorten the distance between the rod pivots or **counter-clockwise** to lengthen the distance between the rod pivots. Reinstall the ball joint on the lift pivot arm and secure with the 1/2" hardware previously removed. Tighten the jam nut against the lift rod.
6. Remove blocks from under the mower deck.
7. Remove the cutting height adjustment pin from in front of the deck lift pedal arm. Lift mower deck and reinstall adjustment pin in desired mowing height.

Deck Leveling Adjustment

Before adjusting the deck level, the deck lift rod timing must be checked and/or adjusted.

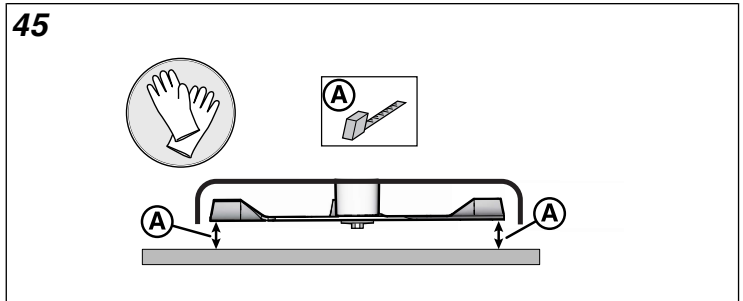
Determining if the Deck Leveling Needs to Be Adjusted



WARNING

Avoid Injury! Mower blades are sharp. Always wear gloves when handling blades or working near blades.

1. See Figure 45. Position the outside mower blades so they face front-to-back.

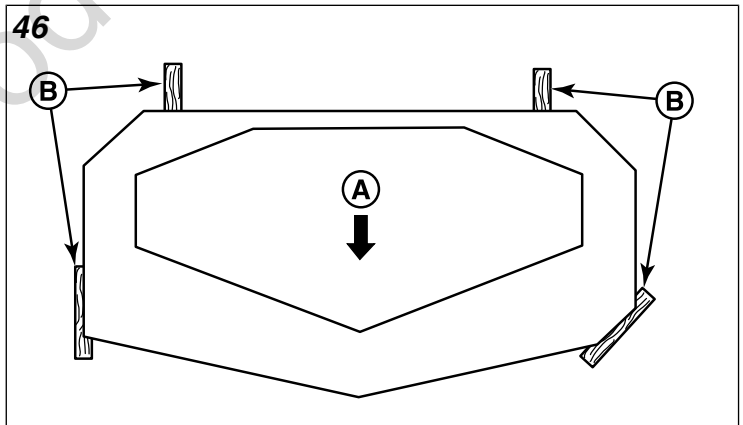


2. Measure the front tip (A) of the blade from the cutting edge to the ground.
3. Measure the rear tip (A) of the blade from the cutting edge to the ground.
 - the front and rear measurements should equal 4" (10,2 cm).

If the measurements are greater than 1/8" (3,17 mm) of what they should be, adjust the deck leveling.

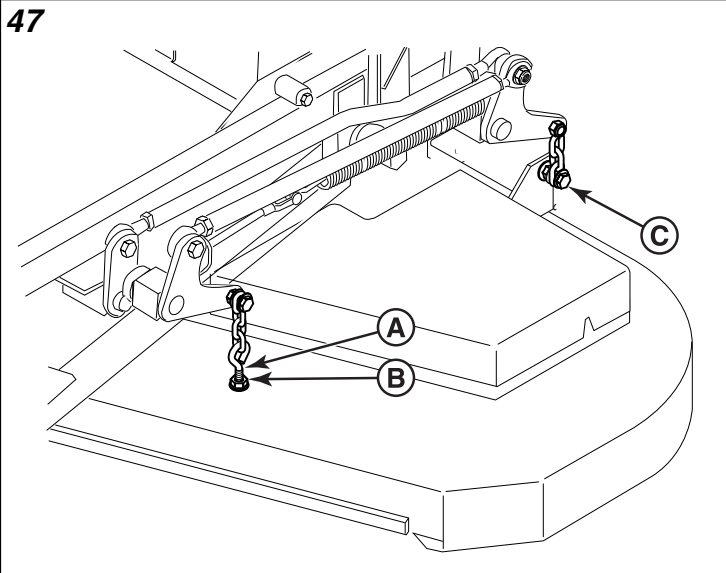
Deck Leveling Adjustment

1. Park machine on a flat, level surface. Disengage the PTO, stop the engine and engage the parking brake. Verify that the tires are correctly inflated.
2. Lock the deck lift pedal in the 5" (12,7 cm) position. Place the deck height adjustment pin in the 4" position and lower deck the lift pedal until the arm contacts the pin.
3. Place 2 x 4 blocks (B, Figure 46) under each corner of the mower deck with the 3-1/2" sides being vertical. The arrow (A) indicates the front of the mower deck.



4. Adjust the front eye bolts (A, Figure 47) until the chains are tight and the deck is still resting on the 2 x 4's. Tighten jam nuts (B).

47

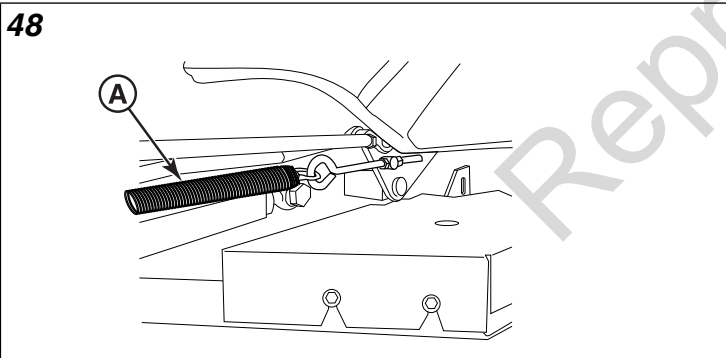


5. Loosen the nuts (C) and allow the rear of the deck to rest on the 2 x 4's. Slide the chains down in the slots until the chains are tight and tighten the nuts.
6. Remove all 2 x 4 blocks from under the mower deck.
7. Perform the *Determining if the Deck Leveling Needs to Be Adjusted* procedure to verify that the deck has been leveled correctly.

Deck Lift Assist Springs

Some models are equipped with deck lift assist springs (A, Figure 48) that assist the operator in raising the mower deck with the deck lift pedal. The deck lift assist springs are factory set to provide optimal lifting performance.

48



Although it is fastened with a multi-position anchor, this is **not an adjustment point**.

Do NOT attempt to adjust the spring length or lifting performance will be compromised.

Mower Belt Replacement

NOTICE

To avoid damaging belts, **do not pry over pulleys**.

1. Park the tractor on a smooth level surface such as a concrete floor. Disengage the PTO, engage the parking brake, turn off the engine and remove the ignition key.

2. Lower the mower deck to its lowest cutting position and remove the mower deck guards.

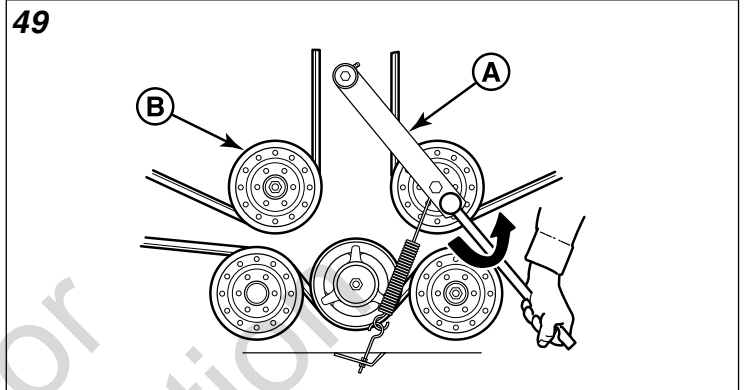


WARNING

Use extreme caution when rotating the idler arm with the breaker bar, due to the increased tension in the spring as the idler arm is being rotated. Injury may result if the breaker bar is prematurely released while the spring is under tension.

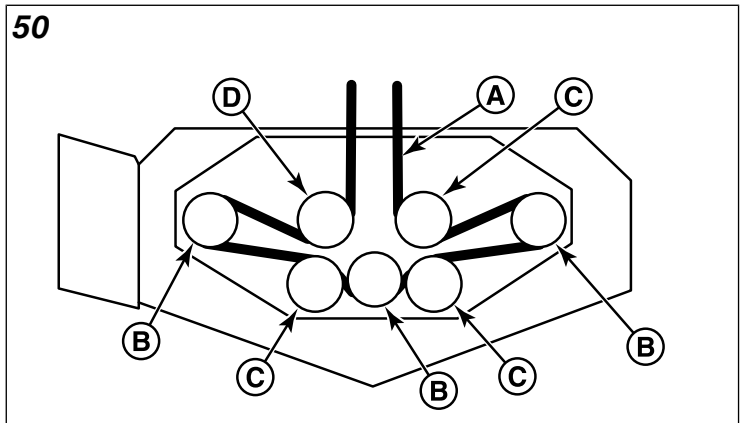
3. Using a 1/2" breaker bar, place the square end in the square hole located in the end of the idler arm (A, Figure 49). Carefully rotate the breaker bar **counter-clockwise**, which will relieve the tension on the belt exerted from the idler arm.

49



4. Slide the drive belt over the edge of the stationary idler pulley (B). Carefully release the tension on the breaker bar.
5. Remove the old belt and replace with a new one. Make sure that the V-side of the belt runs in the pulley grooves.
6. Install the drive belt (A, Figure 50) on the PTO pulley, the spindle pulleys (B) and all idler pulleys (C) except the rear stationary pulley (D). Carefully rotate the breaker bar **counter-clockwise** and install the belt on the rear stationary pulley.

50



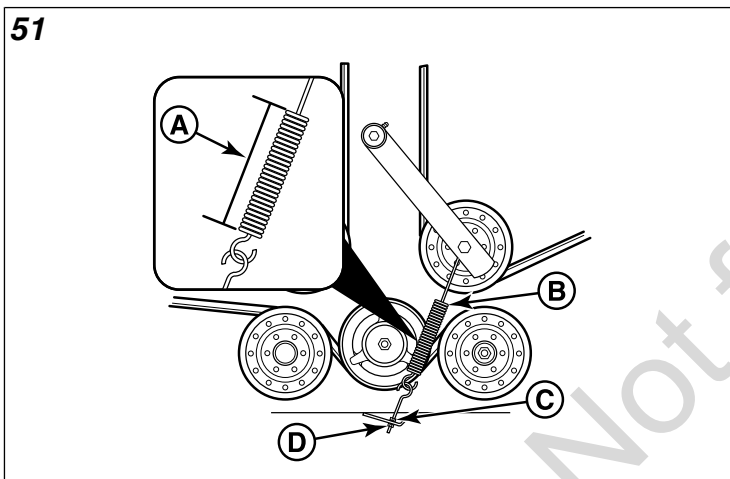
7. Carefully release the tension on the breaker bar.
8. Reinstall the mower deck guards.
9. Run the mower under no-load condition for about 5 minutes to break-in the new belt.

Check the Mower Belt Idler Tensioner Spring Length

1. Set the mower deck to its middle cutting height position.
2. Use the Mower Belt Idler Tensioner Spring Length chart to determine the correct spring length for your unit.

Mower Belt Idler Tensioner Spring Length	
Model	Measurement
5900819	6-1/8" (15,6 cm)
All Other Models	6-1/2" (16,5 cm)

3. Measure the coil length (A, Figure 51) of the mower belt idler tensioner spring (B). The measurement should equal the measurement as designated in the chart. If the measurement does not equal the measurement as designated in the chart, perform the *Adjust the Mower Belt Idler Tensioner Spring Length* procedure.



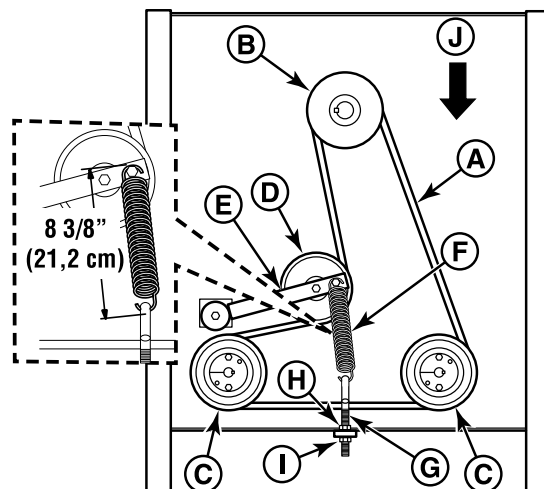
Adjust the Mower Belt Idler Tensioner Spring Length

1. Loosen the jam nut (C).
2. Turn the adjustment nut (D) until the measurement as designated in the chart is achieved.
3. Re-tighten the jam nut.

Hydraulic Pump Drive Belt Replacement

The arrow (J, Figure 52) indicates the front of the mower.

52



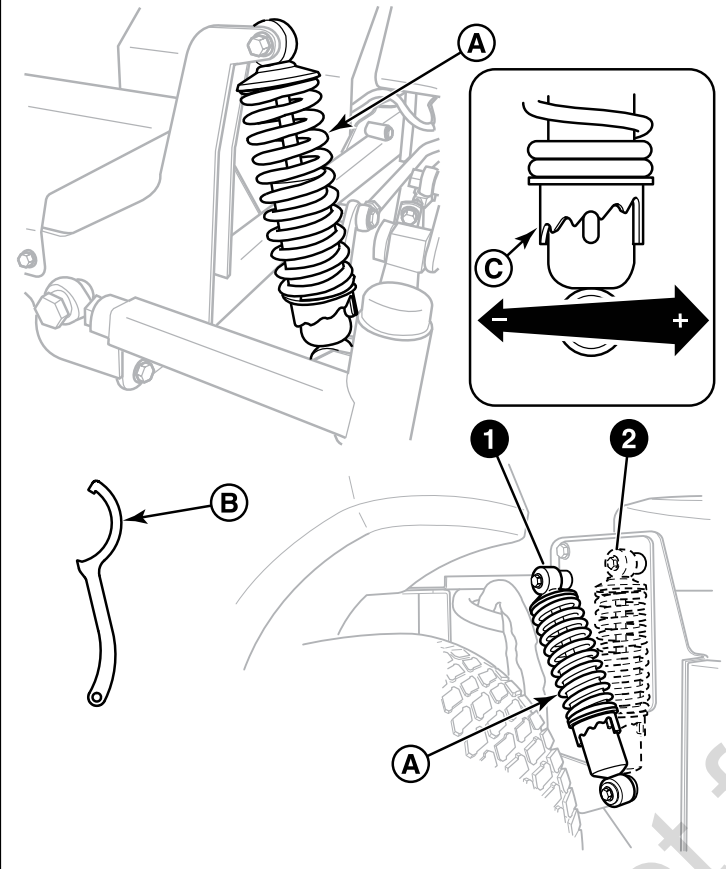
1. Park the tractor on a smooth, level surface such as a concrete floor. Disengage the PTO, engage the parking brake, turn off the engine, and remove the ignition key.
2. Remove the PTO drive belt (See *Mower Belt Replacement* for removal instructions).
3. Remove the hardware that secures the clutch anchor pad to the PTO clutch.
4. Loosen the jam nut (H) installed on the spring anchor eyebolt (G).
5. Loosen the adjustment nut (I) to release the majority of the belt tension. Use caution and remove the nut to completely release the tension.
6. Remove the old belt and replace it with a new one (A). Make sure the V-side of the belt runs in the grooves of the crankshaft pulley and pump pulleys (B & C). The back-side of the belt should contact the idler pulley (D) on the idler arm (E).
7. Reinstall the spring anchor eyebolt into the anchor tab and loosely fasten the adjustment nut. Turn the adjustment nut until a measurement of 8-3/4" (21,2 cm) is achieved from the outside of the spring hooks on the belt tensioner spring (F). Tighten the jam nut.
8. Reinstall the clutch anchor pad to the PTO clutch and secure with the hardware previously removed.
9. Reinstall the PTO drive belt.

Suspension Adjustment

The shock assembly (A, Figure 53) can be adjusted to vary the amount of pre-load applied to the springs. This allows the operator to maintain the ride height.

- Use less pre-load for light weight operators.
- Use more pre-load for heavy weight operators.

53



To adjust the spring pre-load:

1. Park machine on a flat, level surface. Disengage the PTO, stop the engine and engage the parking brake.



WARNING

Spring loaded components can kick back causing injury. Use two hands when adjusting the shock springs. This will prevent the wrench from slipping while pressure is being applied.

2. Using the supplied spanner wrench (p/n 5022853) (B), insert the tip of the wrench into the notch in the pre-load adjuster (C).
While holding the wrench with both hands:
 - Turn **clockwise** to decrease the pre-load.
 - Turn **counter-clockwise** to increase the pre-load.
 Make sure that for each pair of shocks that the left-hand and right-hand are set to the same amount of pre-load.

NOTE: Spanner wrench is located under the seat. Rear tires must be removed to adjust the rear suspension.

To adjust the upper mounting position (Rear Shocks):

1. Park machine on a flat, level surface. Disengage the PTO, stop the engine, and engage the parking brake.

2. Raise the rear of the machine and secure with jack stands. The jack stands must be under the bumper. Chock the front wheels to prevent the machine from rolling.
3. Position the jack under the cross member that ties the suspension arms together and slowly raise the rear suspension to relieve the pressure on the upper shock mounting bolts.
4. Remove the upper shock mounting hardware and pivot the shock to the position #2 (see Figure 53). Adjust the jack to align the shock mounts to the shocks.
5. Remove the jack from under the suspension cross member.
6. Remove the jack stands from under the machine.

Battery Maintenance

Models with Side Mounted Hydraulic Tank

This unit is equipped with a maintenance-free BCIU1 battery.



WARNING

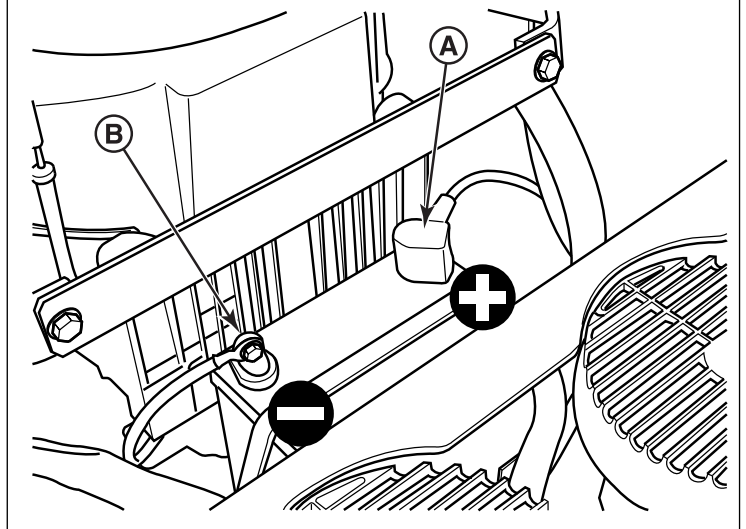
Keep open flames and sparks away from the battery.

- Be careful when handling the battery.
- Avoid spilling electrolyte.
- Keep flames and sparks away from the battery.
- When removing or installing battery cables, disconnect the negative cable **FIRST** and reconnect it **LAST**. If not done in this order, the positive terminal can be shorted to the frame by a tool.

Cleaning the Battery and Cables

1. Disconnect the cables from the battery, negative [-] cable first (B, Figure 54).

54



2. Clean the battery terminals and cable ends with a wire brush until shiny.
3. Reinstall the battery and reattach the battery cables, positive [+] cable first (A).

- Coat the cable ends and the battery terminals with petroleum jelly or non-conducting grease.

Battery Charging

A dead battery or one too weak to start the engine may be the result of a defect in the charging system or other electrical component. If there is any doubt about the cause of the problem, see your dealer. If you need to replace the battery, follow the steps under Cleaning the Battery & Cables in the Regular Maintenance Section.

To charge the battery, follow the instructions provided by the battery charger manufacturer as well as all warnings included in the safety rules sections of this book. Charge the battery until fully charged (until the specific gravity of the electrolyte is 1.250 or higher and the electrolyte temperature is at least 60° F). Do not charge at a rate higher than 10 amps

Troubleshooting

Troubleshooting Charts

Troubleshooting the Rider		
Problem	Cause	Remedy
Engine will not turnover or start	Parking brake not engaged.	Engage parking brake.
	PTO (electric clutch) switch in ON position.	Place in OFF position.
	Out of fuel.	If engine is hot, allow it to cool, then refill the fuel tank.
	Engine flooded.	Move choke control to closed position.
	Fuse blown.	Replace fuse.
	Battery terminals require cleaning.	Clean the battery terminals.
	Battery discharged or dead.	Recharge or replace dead.
	Wiring loose or broken.	Visually check wiring & replace broken or frayed wires. Tighten loose connections.
	Solenoid or starter motor faulty.	See authorized service dealer.
	Safety interlock switch faulty	Replace as needed. See authorized service dealer.
Engine starts hard or runs poorly	Spark plug(s) faulty, fouled or incorrectly gapped.	Clean and gap or replace. See engine manual.
	Water in fuel.	Drain fuel and replace with fresh fuel.
	Gas is old or stale.	Drain fuel and replace with fresh fuel.
	Fuel mixture too rich.	Clean air filter. Check choke adjustment.
	Spark plug(s) faulty, fouled or incorrectly gapped.	Clean and gap or replace. See engine manual.

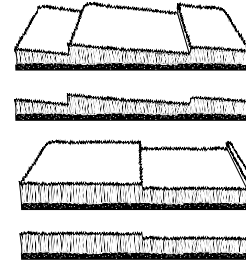
Troubleshooting the Rider		
Engine knocks	Low oil level.	Check / Add oil as required.
	Using wrong grade oil.	See engine manual.
Excessive oil consumption	Engine running too hot.	Clean engine fins, blower screen and air cleaner.
	Using wrong weight oil.	See engine manual.
	Too much oil in crankcase.	Drain excess oil
Engine exhaust is black	Dirty air filter.	Replace air filter. See engine manual.
	Engine choke control is in closed position.	Move choke control to open position.
Engine runs but mower will not drive	Hydraulic release valves(s) in "disengaged" position.	Turn valves clockwise to close.
	Belt is broken.	See Hydraulic Pump Drive Belt Replacement.
	Drive belt slips.	See problem and cause below.
	Brake is not fully released.	See authorized service dealer.
Unit drive belt slips	Pulleys or belt greasy or oily.	Clean as required.
	Tension too loose	Adjust spring tension. See Hydraulic Pump Drive Belt Replacement.
	Belt stretched or worn	Replace belt.
Brake will not hold	Brake is incorrectly adjusted.	See Parking Brake Adjustment.
	Brake pads worn.	Replace with new pads.
Unit steers or handles poorly	Steering linkage is loose.	Check and tighten any loose connections.
	Improper tire inflation	See Checking Tire Pressures

Troubleshooting the Mower		
Problem	Cause	Remedy
Mower will not raise	Lift linkage not properly attached or damaged.	See authorized dealer.
Engine stalls easily with mower engaged	Engine speed too slow.	Set to full throttle.
	Ground speed too fast.	Decrease ground speed.
	Cutting height set too low.	Increase the cutting height.
	Discharge chute jamming with cut grass.	Cut grass with discharge pointing towards previously cut area.
Excessive mower vibration	Blade mounting bolts are loose.	Tighten to 70 ft.lbs (94 Nm)
	Mower blades, arbors, or pulleys are bent.	Check and replace as necessary.
	Mower blades are out of balance.	Remove, sharpen, and balance blades. See Servicing the Mower Blades.
	Belt installed incorrectly.	Reinstall belt correctly.

Troubleshooting the Mower

Excessive belt wear or breakage	Bent or rough pulleys.	Repair or replace.
	Using incorrect belt.	Replace with correct belt.
	Incorrect belt tension.	<i>Fixed Belt Tensioners:</i> Replace spring if worn; <i>Adjustable Belt Tensioners:</i> Adjust to correct tension.
Drive belt slips or fails to drive	Incorrect belt tension.	<i>Fixed Belt Tensioners:</i> Replace spring if worn; <i>Adjustable Belt Tensioners:</i> Adjust to correct tension.
	Drive belt is broken.	Replace with new belt.
Mower does not engage	Electrical wiring damage.	Locate & repair damaged wire.
	Battery voltage too low.	Recharge battery and check alternator. See Battery Service.

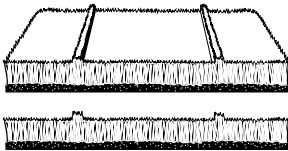
Problem: Stepped Cutting



Cause	Remedy
Deck is not leveled correctly.	Level the deck correctly.
Tires are not properly inflated.	Check and inflate the tires.
Blades are damaged.	Replace the blades.
Deck shell is damaged.	Repair or replace the deck.
Mower spindle is bent or loose.	Repair or replace the spindle.
Blades are installed incorrectly.	Reinstall the blades correctly.

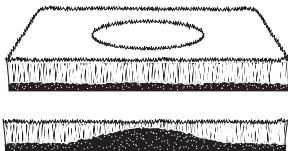
Troubleshooting Common Cutting Problems

Problem: Striking



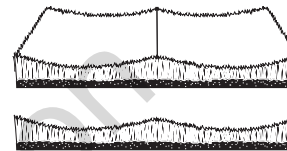
Cause	Remedy
Blades are not sharp.	Sharpen your blades.
Blades are worn down too far.	Replace your blades.
Engine speed is too slow.	Always mow at full throttle.
Ground speed is too fast.	Slow down.
Deck is plugged with grass.	Clean out the mower.
Not overlapping cutting rows enough.	Overlap your cutting rows
Not overlapping enough when turning.	When turning your effective cutting width decreases—overlap more when turning.

Problem: Scalping



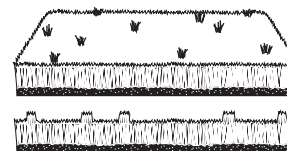
Cause	Remedy
Lawn is uneven or bumpy.	Roll or level the lawn.
Mower deck cutting height is set too low.	Raise the cutting height.
Ground speed is too fast.	Slow down.
Deck is not leveled correctly.	Correctly level the deck.
Tire pressure is low or uneven.	Check and inflate the tires.

Problem: Uneven Cutting



Cause	Remedy
Deck is not leveled correctly.	Level the deck correctly.
Blades are dull or worn.	Sharpen or replace the blades.
Blades are damaged.	Replace the blades.
Deck is clogged with grass clippings.	Clean out the deck.
Deck shell is damaged.	Repair or replace the deck.
Mower spindle is bent or loose.	Repair or replace the spindle.
Blades are installed incorrectly.	Reinstall the blades correctly.
Tires are not properly inflated.	Check and inflate the tires.

Problem: Stingers



Cause	Remedy
Blades are not sharp or nicked.	Sharpen your blades.
Blades are worn down too far.	Replace your blades.
Engine speed is too slow.	Always mow at full throttle.
Ground speed is too fast.	Slow down.
Deck is plugged with grass.	Clean out the mower.

Specifications

Specifications

NOTE: Specifications are correct at time of printing and are subject to change without notice.

ENGINE

Product Model: 5900526

25.5 Gross HP† Kawasaki	
Make	Kawasaki
Model	FX801V-ES00-S
Displacement	52.0 Cu. In (852 cc)
Electrical System	12 volt, 15 amp. Charging Coil, Battery: 340 cca
Oil Capacity	1.9 US qt (1.8 L) w/ filter

Product Model: 5900819

30 Gross HP* Briggs & Stratton Vanguard	
Make	Briggs & Stratton
Model	543777-0113-E1
Displacement	54.62 Cu. in (895 cc)
Electrical System	12 volt, 20 amp. Alternator, Battery: 340 cca
Oil Capacity	2.4 US qt (2,25 L) w/ filter

Product Model: 5900525

30 Gross HP* Briggs & Stratton Commercial Turf	
Make	Briggs & Stratton
Model	49M977-0144-G5
Displacement	49.43 Cu. In (810 cc)
Electrical System	12 volt, 16 amp. Alternator; Battery: 340 cca
Oil Capacity	2.1 US qt. (2.0 L) w/ filter

Product Model: 5900527

32 Gross HP* Briggs & Stratton Vanguard	
Make	Briggs & Stratton
Model	543777-1120-E1
Displacement	54.68 Cu. in (896 cc)
Electrical System	12 volt, 20 amp. Alternator; Battery: 340 cca
Oil Capacity	2.4 US qt. (2.25 L) w/ filter

†Power Ratings: All power levels are stated gross horsepower per SAE J2723 as rated by Kawasaki and tested per the SAE J1995 test standard. The gross power curves and more information can be viewed at www.kawasaki-criticalpower.com.

***Power Ratings:** The gross power rating for individual gas engine models is labeled in accordance with SAE (Society of Automotive Engineers) code J1940 (Small Engine Power & Torque Rating Procedure), and rating performance has been obtained and corrected in accordance with SAE J1995 (Revision

2002-05). Torque values are derived at 3060 RPM; horsepower values are derived at 3600 RPM. The gross power curves can be viewed at www.BRIGGSandSTRATTON.COM. Net power values are taken with exhaust and air cleaner installed whereas gross power values are collected without these attachments. Actual gross engine power will be higher than net engine power and is affected by, among other things, ambient operating conditions and engine-to-engine variability. Given the wide array of products on which engines are placed, the gas engine may not develop the rated gross power when used in a given piece of power equipment. This difference is due to a variety of factors including, but not limited to, the variety of engine components (air cleaner, exhaust, charging, cooling, carburetor, fuel pump, etc.), application limitations, ambient operating conditions (temperature, humidity, altitude), and engine-to-engine variability. Due to manufacturing and capacity limitations, Briggs & Stratton may substitute an engine of higher rated power for this Series engine.

CHASSIS

Fuel Tank	Capacity: 11 gallons (41,6 L) total
Rear Tires	Tire Size: 22 x 11.00 - 10 Inflation Pressure: 15 psi (1,03 bar)
Front Tires	Tire Size: 13 x 5.00 - 6 Inflation Pressure: 25 psi (1,72 bar)

TRANSMISSIONS

S/N: 2014450933 & Below:	
Hydro-Gear HGM-12E-3131/PG-3H	
S/N: 2014450934 & Above:	
Parker TF0240LS081AAKZ/PG-3H Parker TF0240LS080AAKZ/PG-3H	
Type	Pump & Wheel Motor
Hydraulic Fluid	Mobil 1™ 15W-50 oil OR Castrol Syntec™ 5W-50 oil
Speeds*	Forward: 0-10 MPH (0-16.09 km/h) Reverse: 0-5 MPH (0-5 km/h)

*Speeds are determined at 3200 rpm for product model 5900819, and 3600 rpm for product models 5900525, 5900526 & 5900527.

DIMENSIONS

Overall Length	81" (208 cm)
Overall Width	72" (183 cm)
Height	70" (178 cm) w/ Roll bar raised 59" (150 cm) w/ Roll bar lowered
Weight (apx.):	1170 lbs (531 kg)

Warranty

Warranty Statement LIMITED WARRANTY

Briggs & Stratton Power Products Group, LLC will repair and/or replace, free of charge, any part(s) of the equipment that is defective in material or workmanship or both. Transportation charges on product submitted for repair or replacement under

this warranty must be borne by purchaser. This warranty is effective for the time periods and subject to the conditions stated below. For warranty service, find the nearest Authorized Service Dealer using our dealer locator at SimplicityMfg.com.

There is no other express warranty. Implied warranties, including those of merchantability and fitness for a particular purpose, are limited to one year from purchase or to the extent permitted by law. Liability for incidental or consequential damages are excluded to the extent exclusion is permitted by law.

Some states or countries do not allow limitations on how long an implied warranty lasts, and some states or countries do not allow the exclusion or limitation of incidental or consequential damages, so the above limitation and exclusion may not apply to you. This warranty gives you specific legal rights and you may also have other rights which vary from state to state or country to country.

WARRANTY PERIOD

Item	Consumer Use	Commercial Use
Equipment	24 Months	3 Months
Battery (if equipped)	12 Months	12 Months
Engine	See Engine Operator's Manual	See Engine Operator's Manual

The warranty period begins on the date of purchase by the first retail consumer or commercial end user, and continues for the period of time stated above. "Consumer use" means personal residential household use by a retail consumer. "Commercial use" means all other uses, including use for commercial, income producing or rental purposes. Once product has experienced commercial use, it shall thereafter be considered as commercial use for purposes of this warranty.

No warranty registration is necessary to obtain warranty on Briggs & Stratton products. Save your proof of purchase receipt. If you do not provide proof of the initial purchase date at the time warranty service is requested, the manufacturing date of the product will be used to determine warranty eligibility.

ABOUT YOUR WARRANTY

We welcome warranty repair and apologize to you for being inconvenienced. Warranty service is available only through servicing dealers authorized by Briggs & Stratton or BSPPG, LLC.

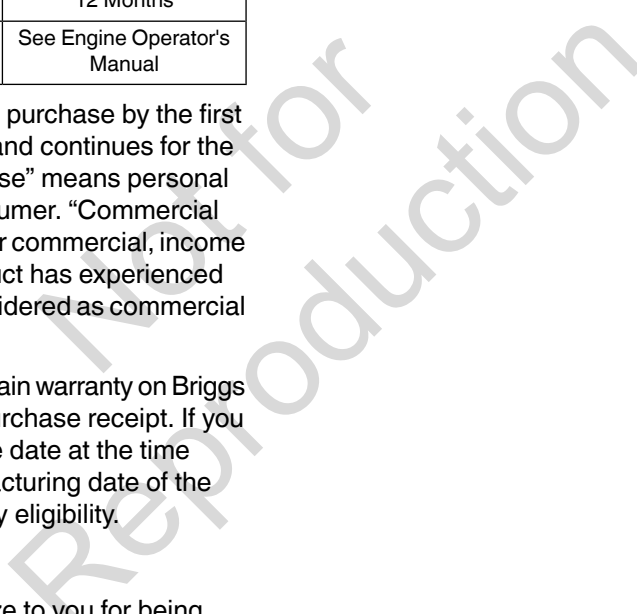
Most warranty repairs are handled routinely, but sometimes requests for warranty service may not be appropriate. This warranty only covers defects in materials or workmanship. It does not cover damage caused by improper use or abuse, improper maintenance or repair, normal wear and tear, or stale or unapproved fuel.

Improper Use and Abuse - The proper, intended use of this product is described in the Operator's Manual. Using the product in a way not described in the Operator's Manual or using the product after it has been damaged will void your warranty. Warranty is not allowed if the serial number on the product has been removed or the product has been altered or modified in any way, or if the product has evidence of abuse such as impact damage, or water/chemical corrosion damage.

Improper Maintenance or Repair - This product must be maintained according to the procedures and schedules provided in the Operator's Manual, and serviced or repaired using genuine Briggs & Stratton parts. Damage caused by lack of maintenance or use of non-original parts is not covered by warranty.

Normal Wear - Like all mechanical devices, your unit is subject to wear even when properly maintained. This warranty does not cover repairs when normal use has exhausted the life of a part or the equipment. Maintenance and wear items such as filters, belts, cutting blades, and brake pads (engine brake pads are covered) are not covered by warranty due to wear characteristics alone, unless the cause is due to defects in material or workmanship.

Stale Fuel - In order to function correctly, this product requires fresh fuel that conforms to the criteria specified in the Operator's Manual. Damage caused by stale fuel (carburetor leaks, clogged fuel tubes, sticking valves, etc) is not covered by warranty.



Not for
Reproduction

Not for
Reproduction



Briggs & Stratton Power Products, LLC.
PO Box 702
Milwaukee, WI 53201-0702
www.simplicitymfg.com

SIMPLICITY is a trademark of Briggs & Stratton
Power Products Group, LLC.