



6,000 BTU/H WALL MOUNTED HEAT PUMP SYSTEM

SUBMITTAL COVER SHEET

PROJECT NAME _____

LOCATION _____


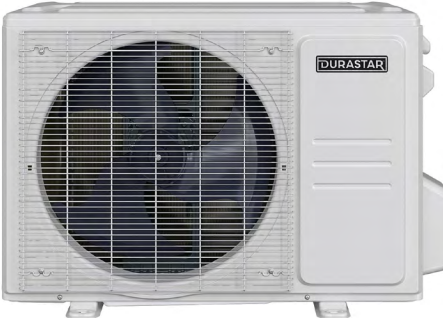

ARCHITECT _____

ENGINEER _____

CONTRACTOR _____

REFERENCE _____

SUBMITTED BY _____ DATE _____

Indoor Unit (IDU): DRAL06F1A	Outdoor Unit (ODU): DRA1U09S1B	Wireless Remote Control
		

PRODUCT FEATURES

- Low ambient heating down to -13°F
- Low ambient cooling down to 5°F
- Wireless Remote Control with "Follow Me" Technology
- Variable Speed Inverter Compressor
- Auto Restart
- Sleep Mode
- Turbo Mode
- Quiet operation
- 46°F Freeze Protection
- Included base pan heater
- Refrigerant leak detection
- Anti-corrosive fin coating
- Grille included

CAPACITIES		
Cooling Capacity (BTU/hr)	Rated at 95°F ¹	6500
	Minimum	3600
	Maximum	11200
Heating Capacity (BTU/hr)	Rated at 47°F ²	7100
	Rated at 5°F ³	8000
	Minimum	3700
	Maximum	12500

SYSTEM DATA	
Refrigerant Type	R-410A
Refrigerant Charge (oz.)	38.1
Design Pressure (PSIG)	550/340
Indoor/ Outdoor Coil Coating	Golden Fin Coating

EFFICIENCY DATA	
SEER2	22.0
EER2	14.5
HSPF2	10.8
SEER	22.0
EER	14.5
HSPF	10.6
COP at 47°F	3.8
COP at 5°F	2.0



Specifications are subject to change without notice.
 © 2023 Ferguson Enterprises LLC
 www.durastar.com



6,000 BTU/H WALL MOUNTED HEAT PUMP SYSTEM

SPECIFICATIONS

LINE SET REQUIREMENTS	
Connection Type	Flare
Liquid	Ø1/4" (Ø6.35mm)
Gas	Ø3/8" (Ø9.52mm)
Pre-Charge Length	25'
Minimum Length	10'
Maximum Length	82'
Maximum Height Differential	33'
Additional Refrigerant (oz./ft)	0.16

OUTDOOR UNIT		
Unit Dimensions	Width	30-1/8"
	Depth	11-15/16"
	Height	21-7/8"
Carton Dimensions	Width	34-15/16"
	Depth	13-1/4"
	Height	24"
Net Weight	63.7 lbs.	
Gross Weight	69.0 lbs.	
Cooling Operating Temperature	5°F - 122°F	
Heating Operating Temperature	-13°F - 75°F	
Voltage/Phase/Frequency	208-230V, 1 Phase, 60 Hz	
Voltage Range	187-253V	
Recommended Breaker (Amps)	15	
Minimum Circuit Ampacity (Amps)	13	
Communication Wire Size	14*4 AWG Stranded	
Rated Current - Cooling (Amps) ¹	3.00	
Rated Current - Heating (Amps) ²	4.33	
Sound Pressure (dB(A))	53	

INDOOR UNIT		
Unit Dimensions	Width	50-5/16"
	Depth	13-13/16"
	Height	9"
Carton Dimensions	Width	57-5/8"
	Depth	22-1/2"
	Height	22-1/2"
Net Weight	58 lbs.	
Gross Weight	81 lbs.	
Indoor Unit Air Flow (CFM)	Low	235
	Medium	259
	High	294
Drain Port O.D.	1"	
Drain Pump Lift	20.8"	
Recommended Breaker (Amps)	15	
Sound Pressure (dB(A))	Low	32.5
	Medium	35.5
	High	37.5

COMPRESSOR	
Type	DC Rotary Inverter
Oil Type	Ester Oil VG74
Oil Charge (oz.)	10.5 (310 ml)

¹ AHRI Rated at 95°F (AFull).

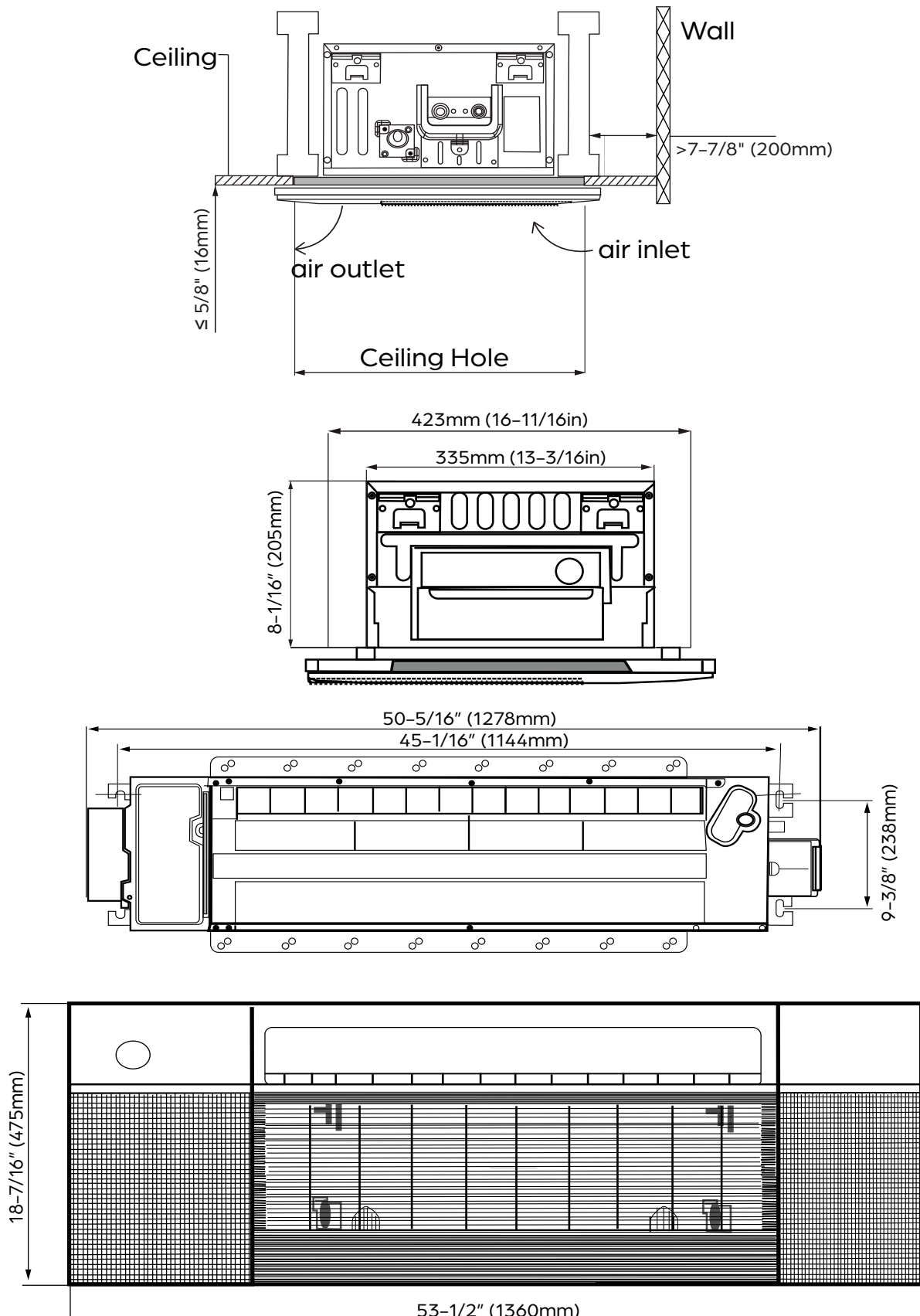
² AHRI Rated at 47°F (H1Full).

³ AHRI Rated Capacity at 5°F (H42)



6,000 BTU/H WALL MOUNTED HEAT PUMP SYSTEM

IDU DIMENSIONS - DRAL06F1A

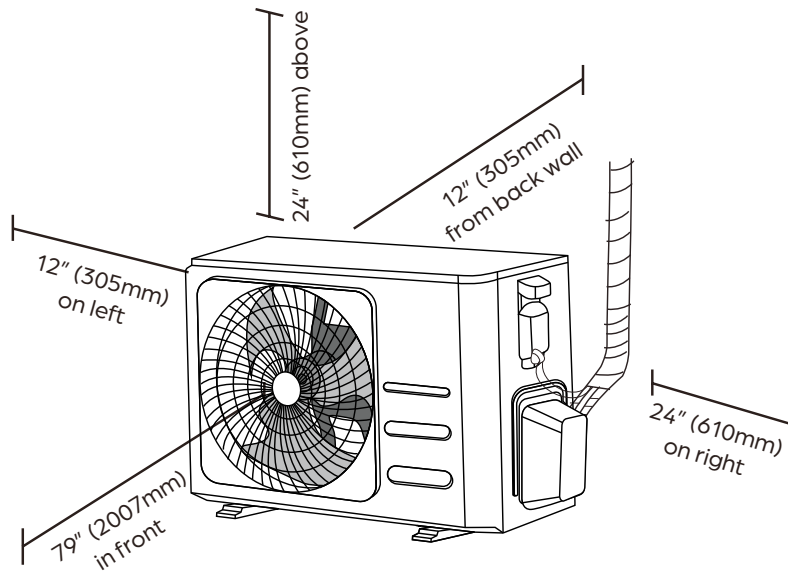




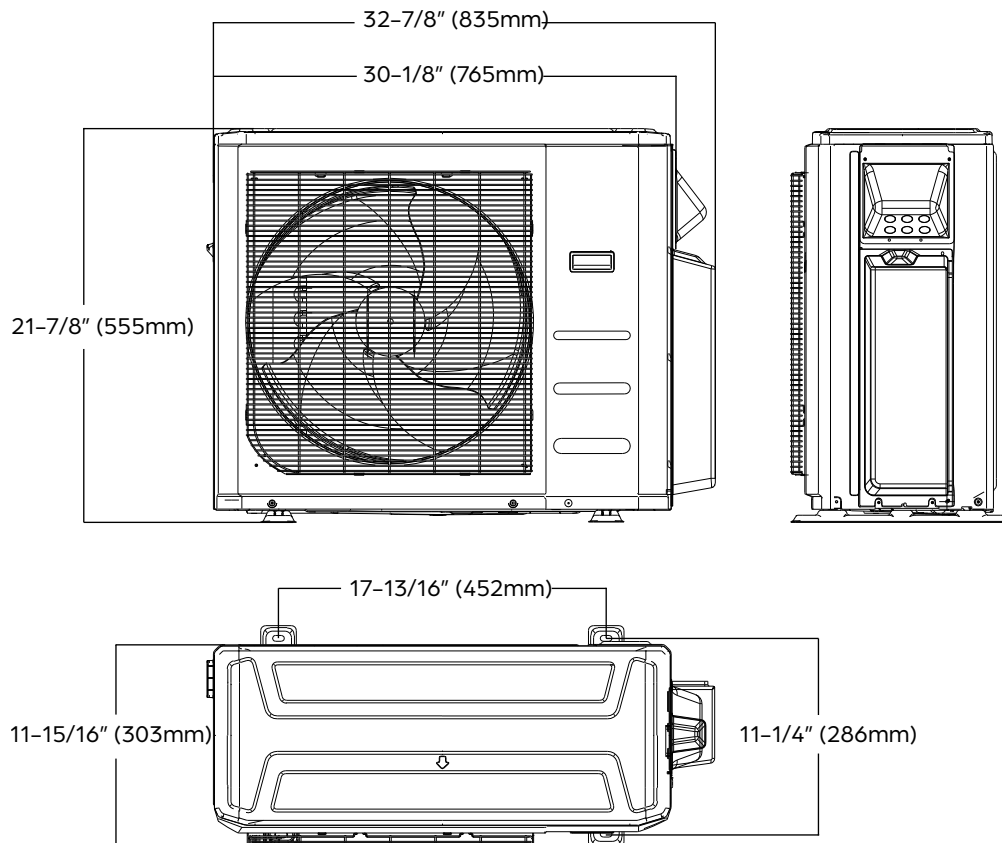
6,000 BTU/H WALL MOUNTED HEAT PUMP SYSTEM

ODU DIMENSIONS - DRA1U09S1B

Clearances



Dimensions



NOTE

- Illustrations in this document are for explanatory purposes. The actual shape of your mini-split equipment may vary slightly.