

PORTABLE INVERTER GENERATORS

800 Watts

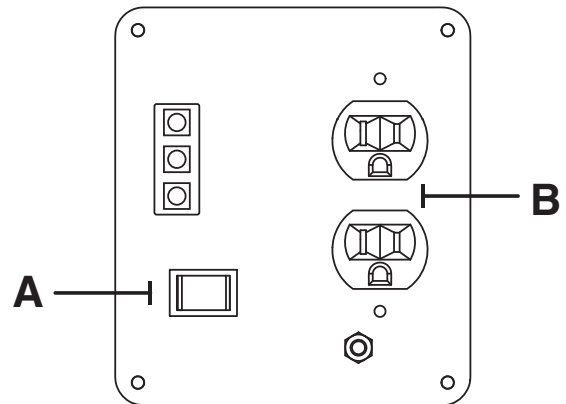
49-STATE/CETL CERTIFIED

800 Running Watts
850 Starting Watts
Model 6064



FEATURES

- **Inverter technology** provides lightweight, quiet, fuel-efficient portable power.
- **EcoMode™** automatically adjusts engine speed to respond to the amount of power needed. This results in fuel savings and reduced noise.
- **30% lighter** than a standard generator of equal watts.
- **Microprocessor controls** provide the clean power needed to run sensitive electronics like a computer or television.
- **Low oil shutdown and electronic overload protection** for secure operation.



CUSTOMER CONNECTION PANEL

A EcoMode

B Receptacle: (2) 120VAC

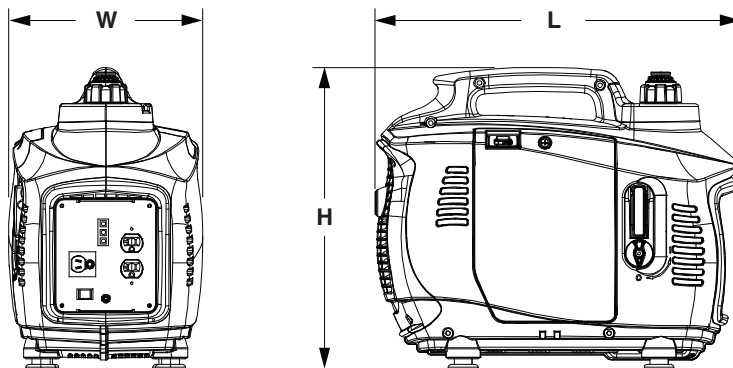
Internal Circuit breakers (not shown)
6.7 Amp AC

SPECIFICATIONS

Model	6064-0
Running Watts	800
Starting Watts	850
Rated Amps @ 120 Volts	6.6
Maximum Amps @ 120 Volts	7.0
Engine Type	4-stroke OHV
Engine Displacement	38cc
Low Oil Shutdown	Yes
Starting Method	Pull
Idle Control	EcoMode™
Outlets	2 x 5-15R 120VDC
Circuit Breakers	6.6 Amp AC
Fuel Tank Capacity	0.5 Gallons
Run Time at 50% Load	3.6 Hours
Total Harmonic Distortion	<3%
Included in the Box	Engine oil and funnel, tool kit, start-up guide
Warranty - Residential	2 Year Ltd
Warranty - Commercial	6 Months Ltd.
Emissions Certification	49-State/cETL
UPC Number	696471060645

DIMENSIONS (In inches)

Product Length (L)	18
Product Width (W)	10
Product Height (H)	15
Unit Weight (lbs)	29 lbs.
Carton Length	21.25
Carton Width	11.25
Carton Height	16.5
Shipping Weight (lbs)	37 lbs.



Generac Power Systems, Inc.

S45 W29290 Hwy. 59

Waukesha, WI 53187

Tel: 1-855-GEN-INFO

honeywellgenerators.com

0192300HWL-B

July 2011

© Generac Power Systems, Inc. All rights reserved.
Specifications subject to change without notice.

The Honeywell Trademark is used under
license from Honeywell International Inc.

Honeywell International Inc. makes no representation
or warranties with respect to this product.

Honeywell