

Inverter Driven Heat Pump

15,000 BTU Single Zone High SEER Wall Mounted

Job Name _____
 Location _____
 Engineer _____
 Submitted To _____
 Submitted By _____
 Reference _____

Date _____
 Approval _____
 Construction _____
 Unit No _____
 Drawing No _____

PRODUCT FEATURES

- Auto Changeover
- Weekly & 24 hr. Timer
- Auto Louver: 4 Way
- Minimum Heat Mode
- Wireless Remote control
- Auto Restart
- Economy Mode
- Energy Saving Program(ESP)
- Outdoor Unit Low Noise Schedule



MODEL NUMBERS			
Indoor Unit	ASUG15LZBS		
Outdoor Unit	AOUG15LZAS1		
System	15LZBS1		
EFFICIENCIES			
SEER	25.3		
SEER 2	25.3		
EER	13.9		
EER 2	13.9		
HSPF	13.4		
HSPF 2	12.8		
COP	kW/kW	4.6	
COP	Btu/hW	15.7	
COP2	kW/kW	4.6	
COP2	Btu/hW	15.7	
OUTDOOR TEMPERATURE OPERATION RANGE			
Cooling	*F(°C)	14 to 115 (-10 to 46)	
Heating		-5 to 75 (-21 to 24)	
CAPACITIES			
Cooling	Rated	Btu/h	14500
	Min.-Max.		3,100-18,400
Heating	Rated	Btu/h	18000
	Min.-Max.		3,100-23,900
LINESET REQUIREMENTS			
Connection Method	Flare		
Liquid	in (mm)	Ø1/4 (Ø6.35)	
Gas		Ø1/2 (Ø12.7)	
Pre-charge length	ft (m)	49 (15)	
Minimum Length		16 (5)	
Max. length		66 (20)	
Max. height difference		49 (15)	
INDOOR DIMENSIONS & WEIGHT			
Net (H x W x D)	in (mm)	11 x 38-9/16 x 9-7/16 (280 x 980 x 240)	
Gross (H x W x D)		12-11/16 x 42-7/16 x 13-5/8 (322 x 1,078 x 346)	
Net Weight	lb (kg)	29 (13)	
Gross Weight		37 (17)	
OUTDOOR DIMENSIONS & WEIGHT			
Net (H x W x D)	in (mm)	24-7/8 x 31-7/16 x 11-7/16 (632 x 799 x 290)	
Gross (H x W x D)		27-1/4 x 37 x 14-3/4 (692 x 940 x 375)	
Net Weight	lb (kg)	86 (39)	
Gross Weight		95 (43)	

Warranty Information



7 Year Compressor, 5 Year Parts out-of-the-box Warranty



10 Year Compressor, 10 Year Parts Warranty when registered within 60 days of installation in a residence



12 Year Compressor, 12 Year Parts Warranty when registered within 60 days of installation in a residence, and installed by a Fujitsu Elite contractor

ACCESSORIES

UTY-RNRUZ*	Wired Remote Controller
UTY-RSRY	Simple Remote Controller
UTY-RHRY	Simple Remote Controller
UTY-XWZX25	External Connect Kit
UTY-XCSX22	External Input and Output PCB
UTY-TWRX22	Communication Kit
UTY-TFSXF1	Wireless LAN adapter
UTY-TTRX21	24V Thermostat Interface



This system combination is Energy Star qualified



+App available in Apple® App Store and Google® Play Store.

Due to continuous product improvements, specifications are subject to change without notice. Please log in to the Fujitsu Portal for the most up-to-date documentation <https://connect.fujitsugeneral.com>

Effective Date: 10/30/2022

Inverter Driven Heat Pump

15,000 BTU Single Zone High SEER Wall Mounted

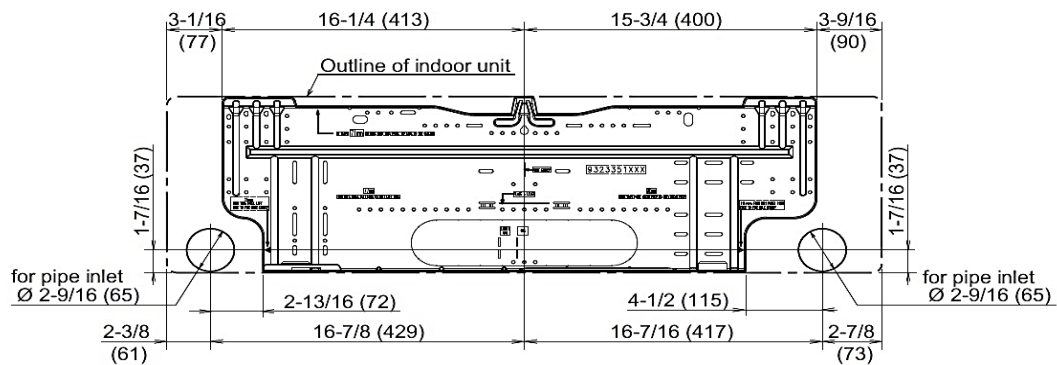
FAN DATA			
Indoor Unit Airflow rate	Cooling	HIGH	583 (990)
		MED	459 (780)
		LOW	312 (530)
		QUIET	241 (410)
	Heating	HIGH	600 (1,020)
		MED	459 (780)
		LOW	312 (530)
		QUIET	241 (410)
Outdoor Unit Airflow rate	Cooling	1,218 (2,070)	
	Heating	1,348 (2,290)	
SOUND PRESSURE			
Indoor Unit	Cooling	HIGH	45
		MED	40
		LOW	32
		QUIET	26
	Heating	HIGH	45
		MED	39
		LOW	32
		QUIET	26
Outdoor Unit	Cooling	49	
	Heating	50	
REFRIGERANT			
Type			R410A
Charge	lb oz	2 lb 16 oz	
	g	1350	
Oil Type			RB68

ELECTRICAL SPECIFICATIONS			
Voltage/Frequency/Phase		208/230 V ~60 Hz	
Available Voltage Range		187–253 V	
Current	Cooling	Rated	4.8
	Heating	Rated	5.2
Maximum Operating Current	Cooling	A	9.9
	Heating		13.4
Starting Current		5.2	
MCA		16.5	
Maximum Circuit Breaker		20	
Input Power	Cooling	Rated	kW
		Min.–Max.	
	Heating	0.15–1.56	
Power Factor	Cooling	Rated	1.15
	Heating	Min.–Max.	0.15–2.19
Moisture Removal		pints/h (L/h)	4.0 (1.9)
Energy Star		Yes	
Drain hose	Material	PP+LLDPE	
	Tip diameter	in (mm)	Ø7/32 (Ø13.8) (I.D.), Ø5/8 to 21/32 (Ø15.8 to 16.7) (O.D.)
Operation Range	Cooling	°F (°C)	64 to 90 (18 to 32)
	Heating	%RH	80 or less
		°F (°C)	60 to 86 (16 to 30)

DIMENSIONS:

Units: In. (mm)

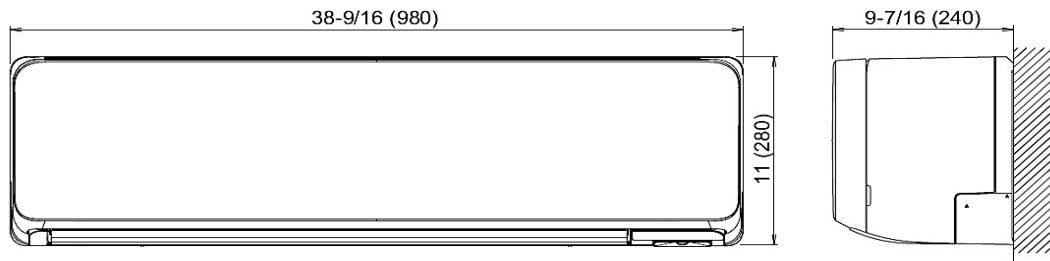
Wall Bracket Data:



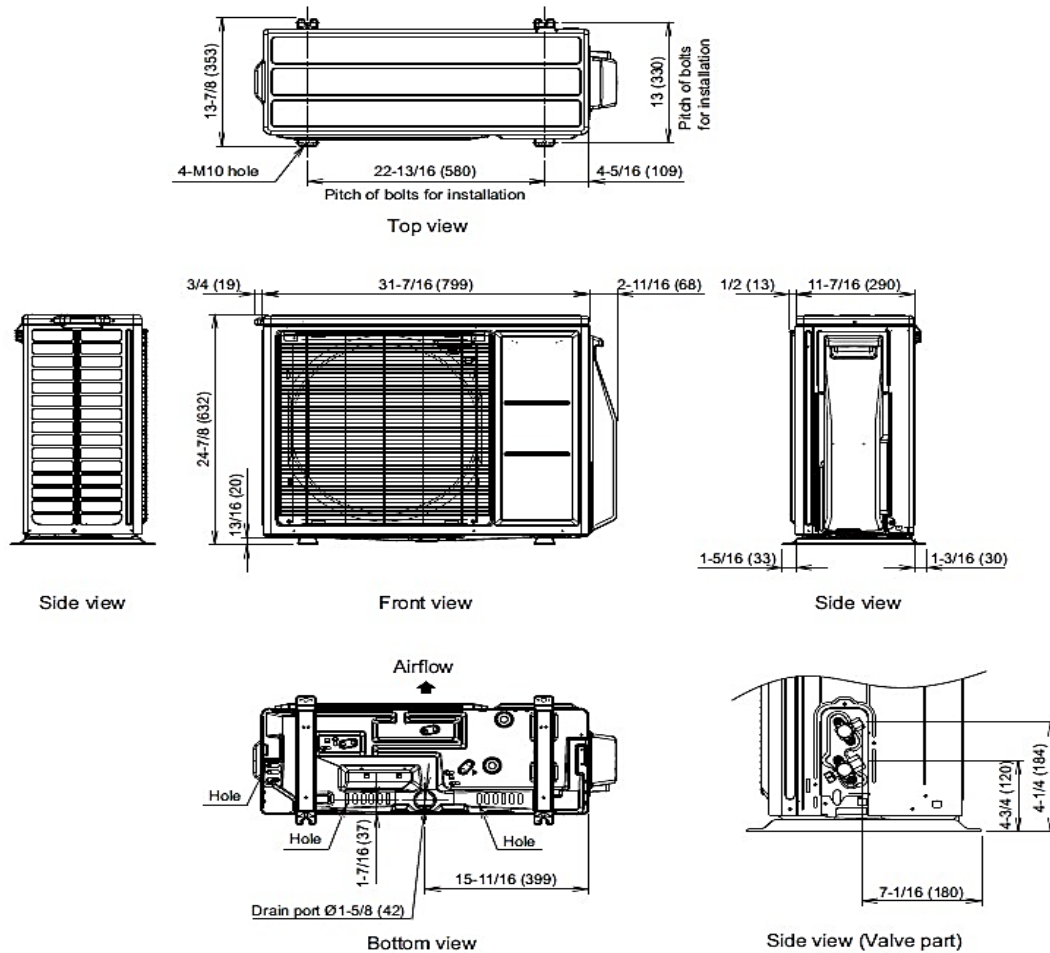
DIMENSIONS

Units: In. (mm)

Indoor Unit



Outdoor Unit



The Fujitsu logo is a worldwide trademark of Fujitsu General Limited. The Airstage logo and name is a worldwide trademark of Fujitsu General Limited and is a registered trademark in Japan, the USA and other countries or areas. Copyright 2022 Fujitsu General America, Inc. Fujitsu's products are subject to continuous improvements. Fujitsu reserves the right to modify product design, specifications and information in this brochure without notice and without incurring any obligations.

Note: Specifications are based on the following conditions:
 Cooling: Indoor temperature of 80°F (26.7°C) DB/67°F (19.4°C) WB, and outdoor temperature of 95°F (35°C) DB/75°F (23.9°C) WB. Heating: Indoor temperature of 70°F (21.1°C) DB/60°F (15.6°C) WB, and outdoor temperature of 47°F (8.3°C) DB/43°F (6.1°C) WB. Pipe length: 25ft. (7.5m), Height difference: 0ft. (0m) (Outdoor unit - indoor unit).