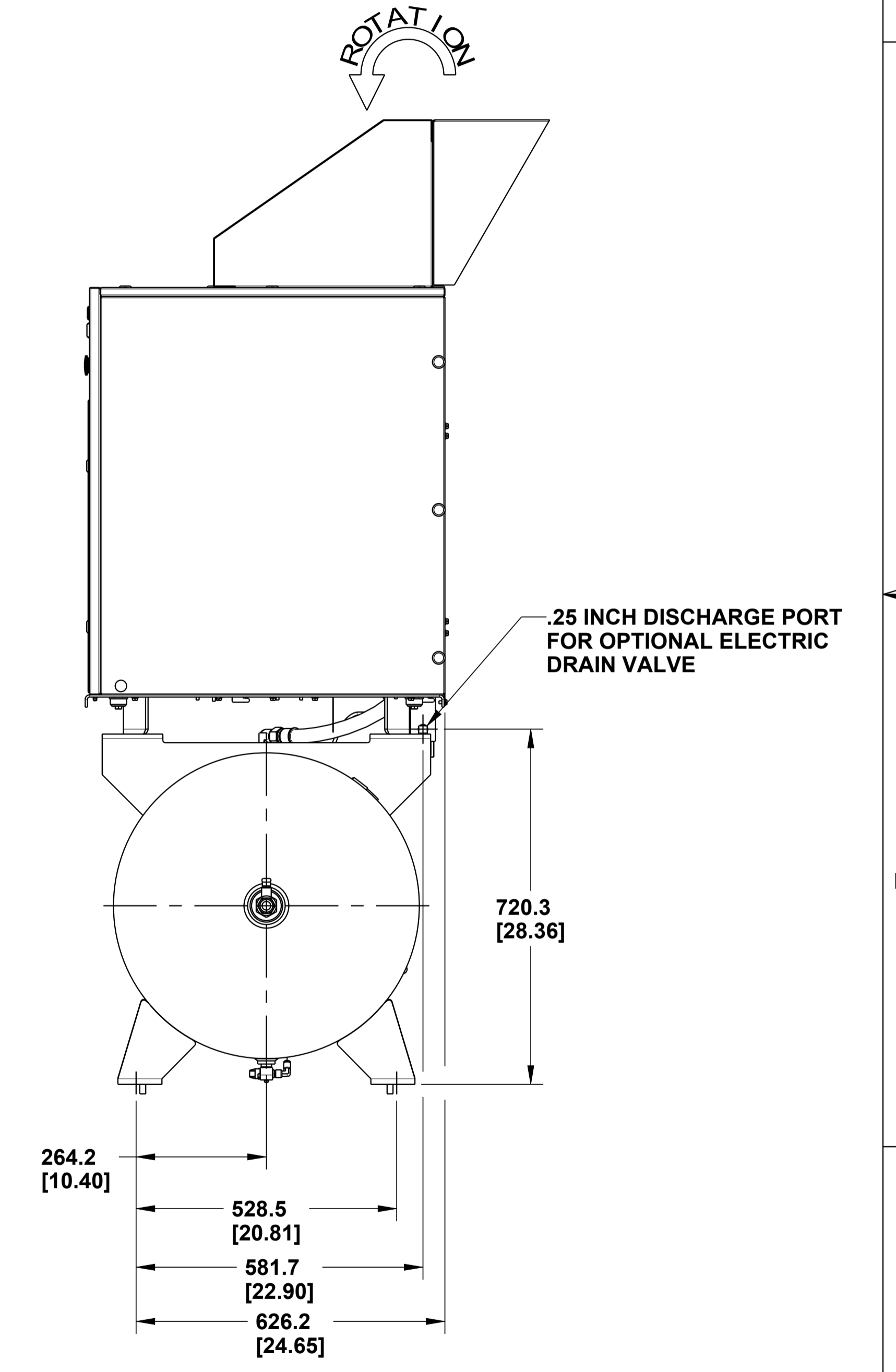
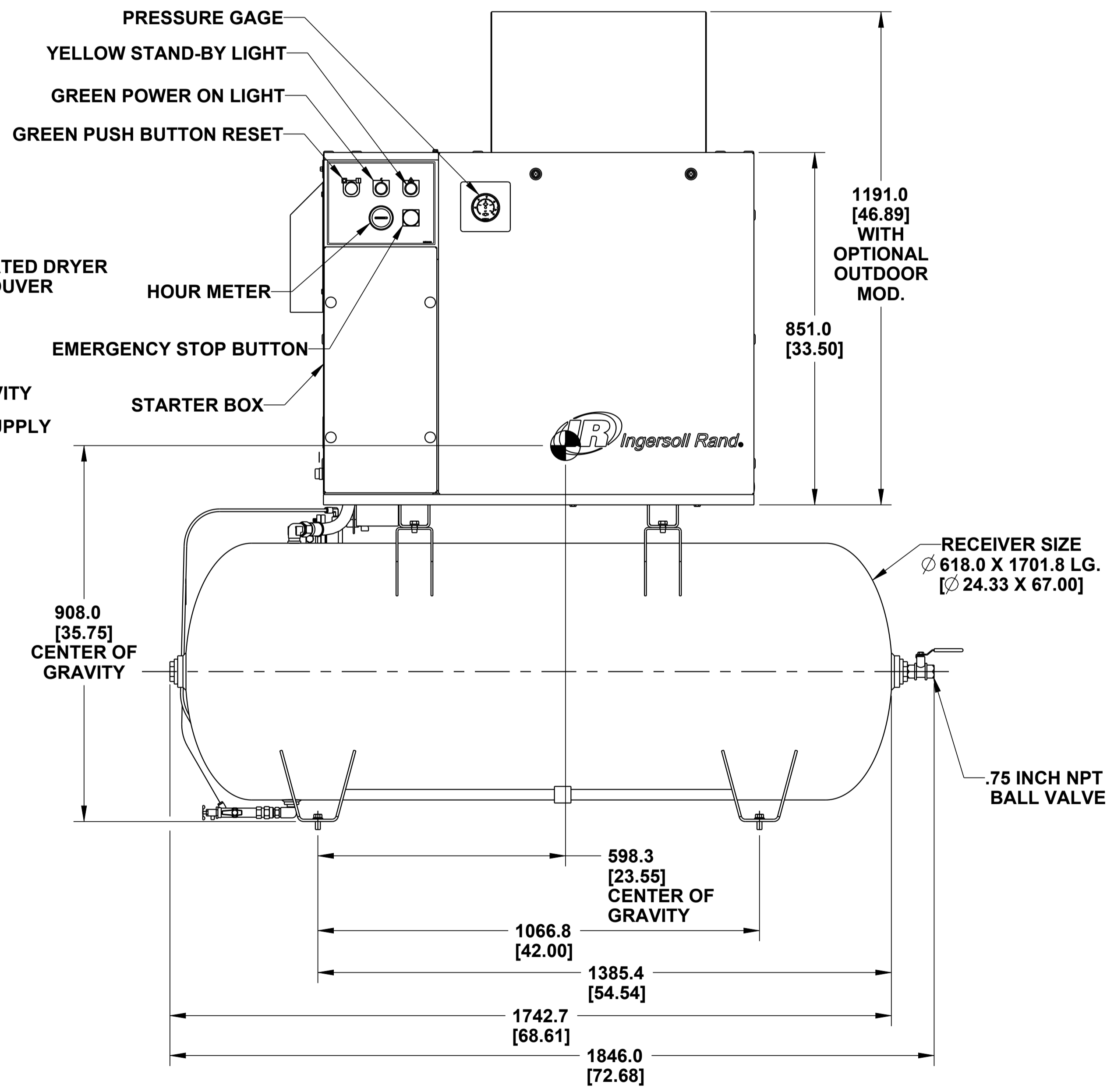
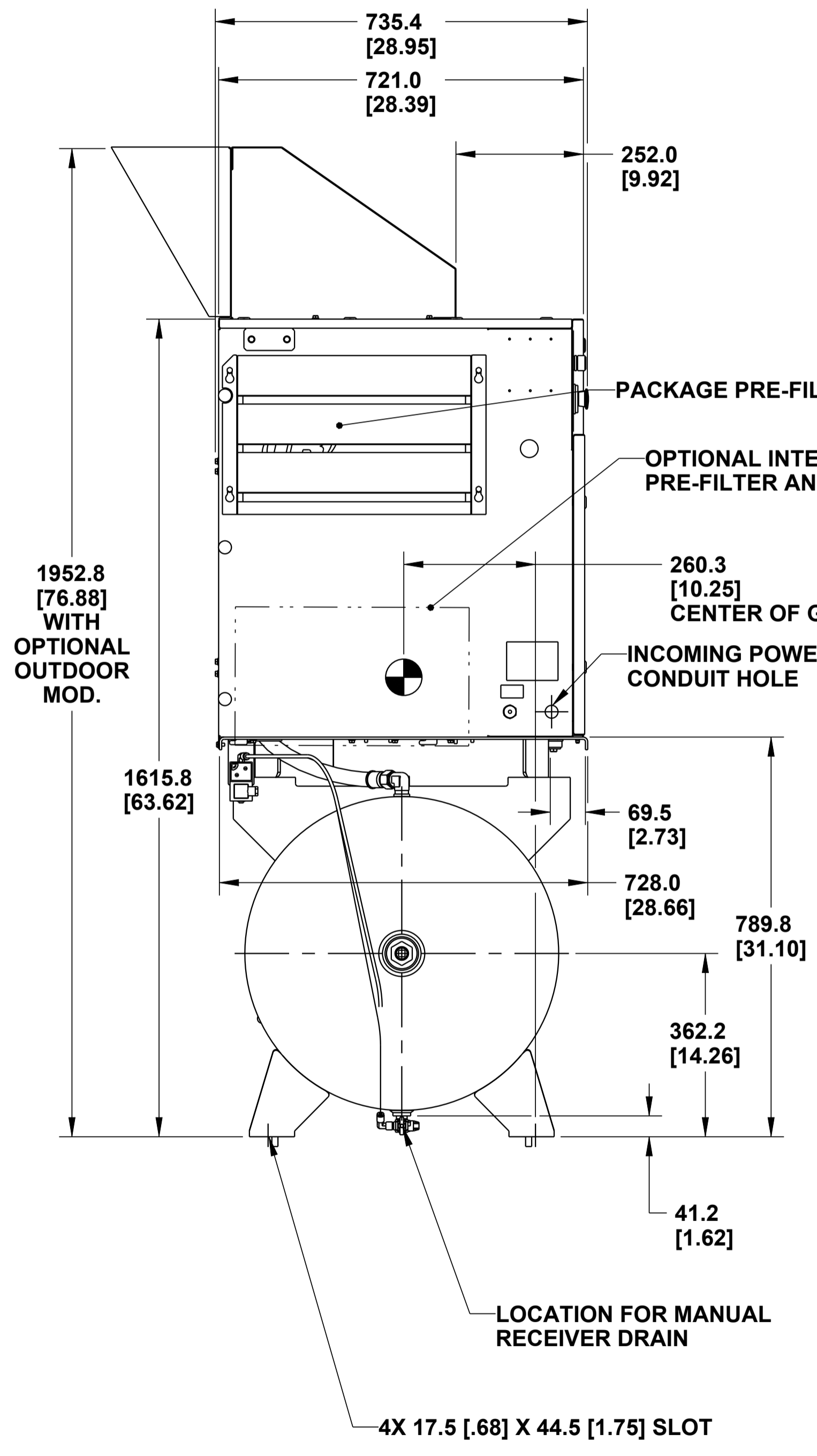
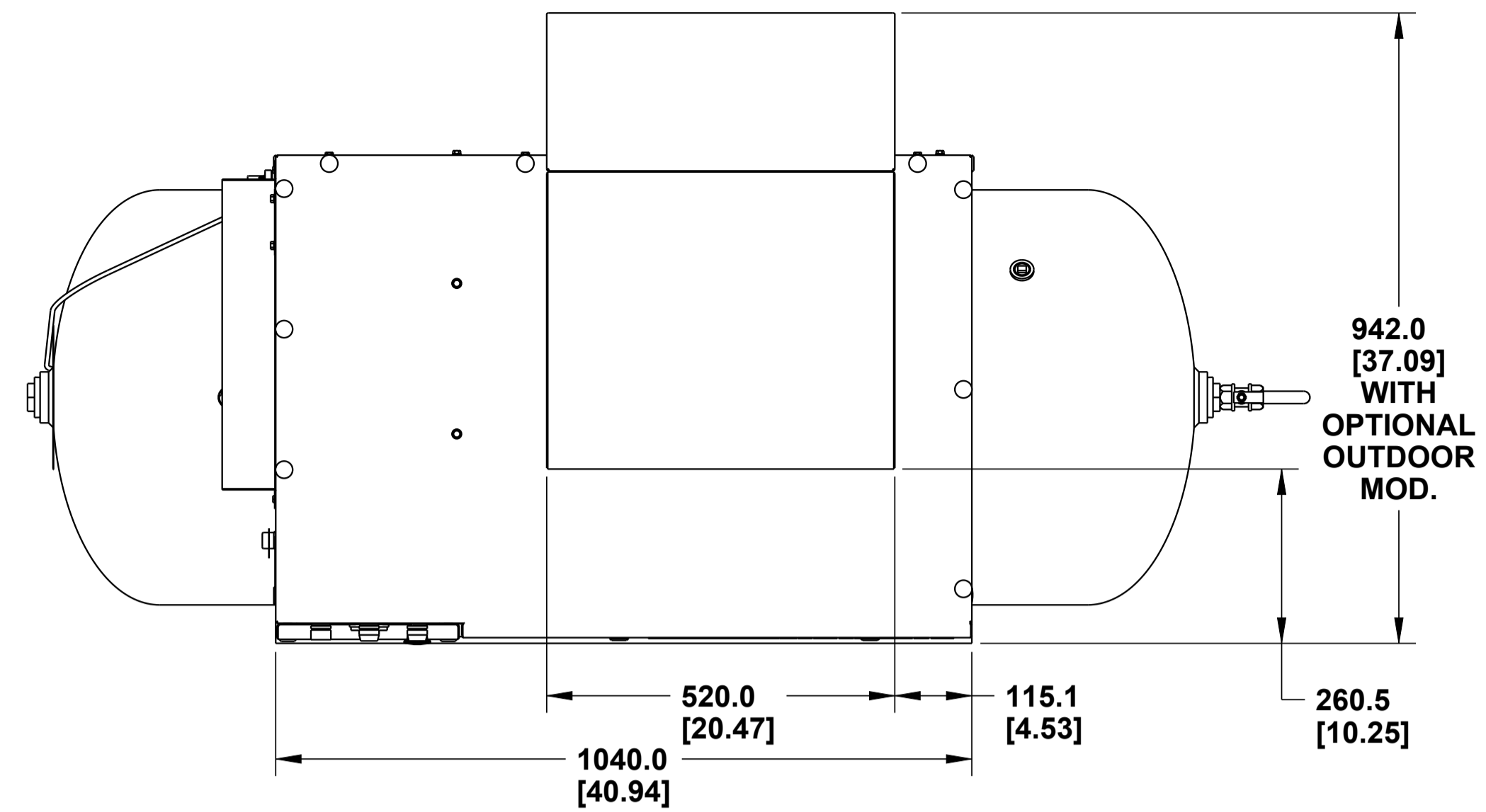


NOTES :

- FOUNDATION OR FLOOR MUST BE LEVEL AND SUPPORT ALL MOUNTING BOLT LOCATIONS EQUALLY. IF NECESSARY, SHIM OR GROUT THE FOURTH BOLT LOCATION.
- FOUNDATION BOLTS SHOULD PROJECT THRU NUTS A MINIMUM OF 13mm [.50"] TO ALLOW FOR LEVELING.
- ALLOW A MINIMUM CLEARANCE OF 1100mm [42"] ON THE FRONT AND 920mm [36"] ON THE TOP, LEFT, RIGHT, AND REAR OF THE PACKAGE FOR PROPER AIR CIRCULATION AND SERVICEABILITY.
- APPROXIMATE PACKAGE WEIGHT: 430 KG. [946 LBS.].

REVISIONS					
ZONE	REV	ECN	DESCRIPTION	DATE	APP'D
	A	71433	ORIGINAL RELEASE	2004JUN28	VIJAY B.WISE
	B	73832	ADD THIRD SHEET, UPDATED FORMAT ADD OPTIONAL OUTDOOR MOD. ADD CONTROL AIR CONDENSATE OUTLET ADD REVISION BLOCK	2006NOV30	M.CAIN C.FRAZIER
1-B5	C	74318	I-R LOGO DECAL 23038474 WAS 22050611	2007FEB17	ISB/NH K.WHITESSELL
1-B7	D	76570	ADDED INCOMING POWER DIM'S: 70.9 AND 764.8 ADDED AREA AND NOTE: OPTIONAL INTEGRATED DRYER, PRE-FILTER AND LOUVER UPDATED VIEW TO SHOW OPTIONAL DRYER REMOVED NOTE: .75" NPT 60HZ, .75" BSPT 50HZ	2007OCT22	R.REDMOND W.SORAH C.FRAZIER
3-D7	E	77147	UPDATED VIEWS TO CURRENT CONFIGURATION	2008DEC19	W.SORAH C.FRAZIER
1-B4 1-B4 1-B5	F	78580	UPDATED VIEWS TO CURRENT CONFIGURATION REMOVED LOGO DECAL 22913032. LOGO DECAL 23038466 WAS 22435713. FORKLIFT DECAL 23548985 WAS 93171262	2010APR09	H.AVINASH C.FRAZIER
2-C2	G	78494	UPDATED VIEW OF PRESSURE SWITCH	2010JUN04	R. REDMOND C.FRAZIER
	H	-	SEE SHEET 2 FOR DETAILS	-	-



<b>STANDARD TOLERANCES</b>	WARNING: THE EXPORT OR REEXPORT OF THIS DRAWING OR A PRODUCT PRODUCED BY THIS DRAWING IS SUBJECT TO U.S. EXPORT ADMINISTRATION REGULATIONS AND OTHER APPLICABLE GOVERNMENT RESTRICTIONS OR REGULATIONS.
ALL DIMENSIONS ARE IN MILLIMETERS [INCHES (IF SHOWN)]	PROPRIETARY NOTICE
UNSPECIFIED TOLERANCES:	THIS DRAWING CONTAINS CONFIDENTIAL AND TRADE SECRET INFORMATION, IS THE PROPERTY OF INGERSOLL-RAND CO., AND IS GIVEN TO THE RECEIVER IN CONFIDENCE. THE RECEIVER BY RECEPTION AND RETENTION OF THE DRAWING ACCEPTS THE DRAWING IN CONFIDENCE AND AGREES THAT, EXCEPT AS AUTHORIZED IN WRITING BY INGERSOLL-RAND CO., IT WILL (1) NOT USE THE DRAWING OR ANY COPY THEREOF OR THE CONFIDENTIAL OR TRADE SECRET INFORMATION THEREIN; (2) NOT COPY THE DRAWING; (3) NOT DISCLOSE TO OTHERS EITHER THE DRAWING OR THE CONFIDENTIAL OR TRADE SECRET INFORMATION THEREIN; AND (4) UPON COMPLETION OF THE NEED TO RETAIN THE DRAWING, OR UPON DEMAND, RETURN THE DRAWING, ALL COPIES THEREOF, AND ALL MATERIAL COPIED THEREFROM.
WHOLE : ± 1	
ONE PLACE (.X) : ± 0.5	
TWO PLACE (.XX) : ± 0.25	
ANGLES (.X) : ± 1°	
Ingersoll-Rand Industrial Technologies	

DO NOT SCALE DRAWING  
DRAWING CONFORMS TO ASME Y14.5M - 1994  
CAD GENERATED DRAWING, NO MANUAL REVISIONS ALLOWED  
UNLESS OTHERWISE SPECIFIED:  
- REMOVE ALL BURRS AND SHARP CORNERS  
- WELD SYMBOLS TO BE IN ACCORDANCE WITH ANS/AWS A2.4  
COPYRIGHT © 2018  
Ingersoll Rand  
ALL RIGHTS RESERVED

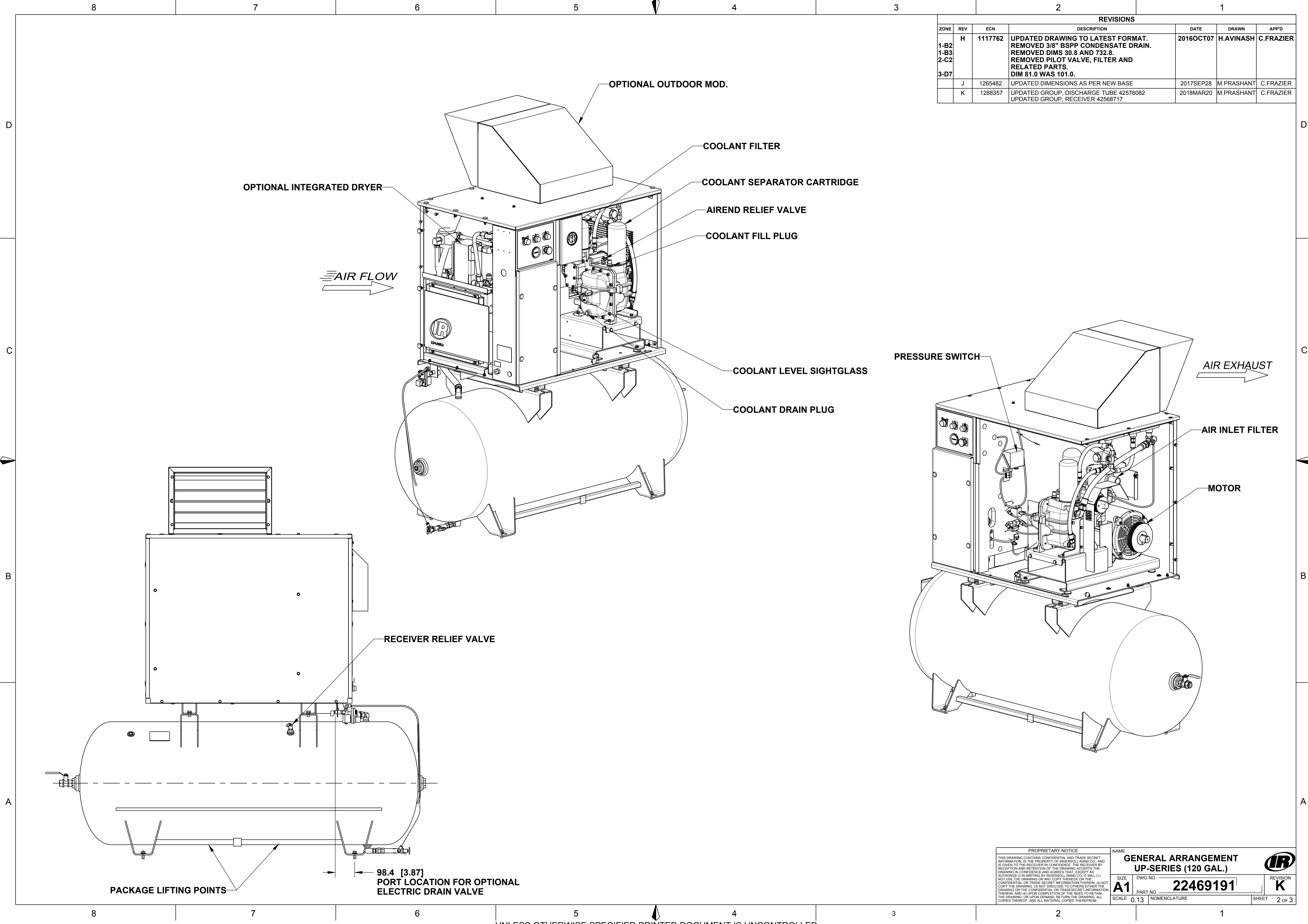
THIRD PARTY INSPECTION	DATE
VIJAY	2004JUN28
CHECKED	DATE
G.HALLMAN	2004JUN28
APPROVED	DATE
S.KUMAR	2004JUN28
B.WISE	2004JUN28
DRAWING TYPE	
General Arrangement Drawing	
NOMENCLATURE	

**IR Ingersoll Rand**

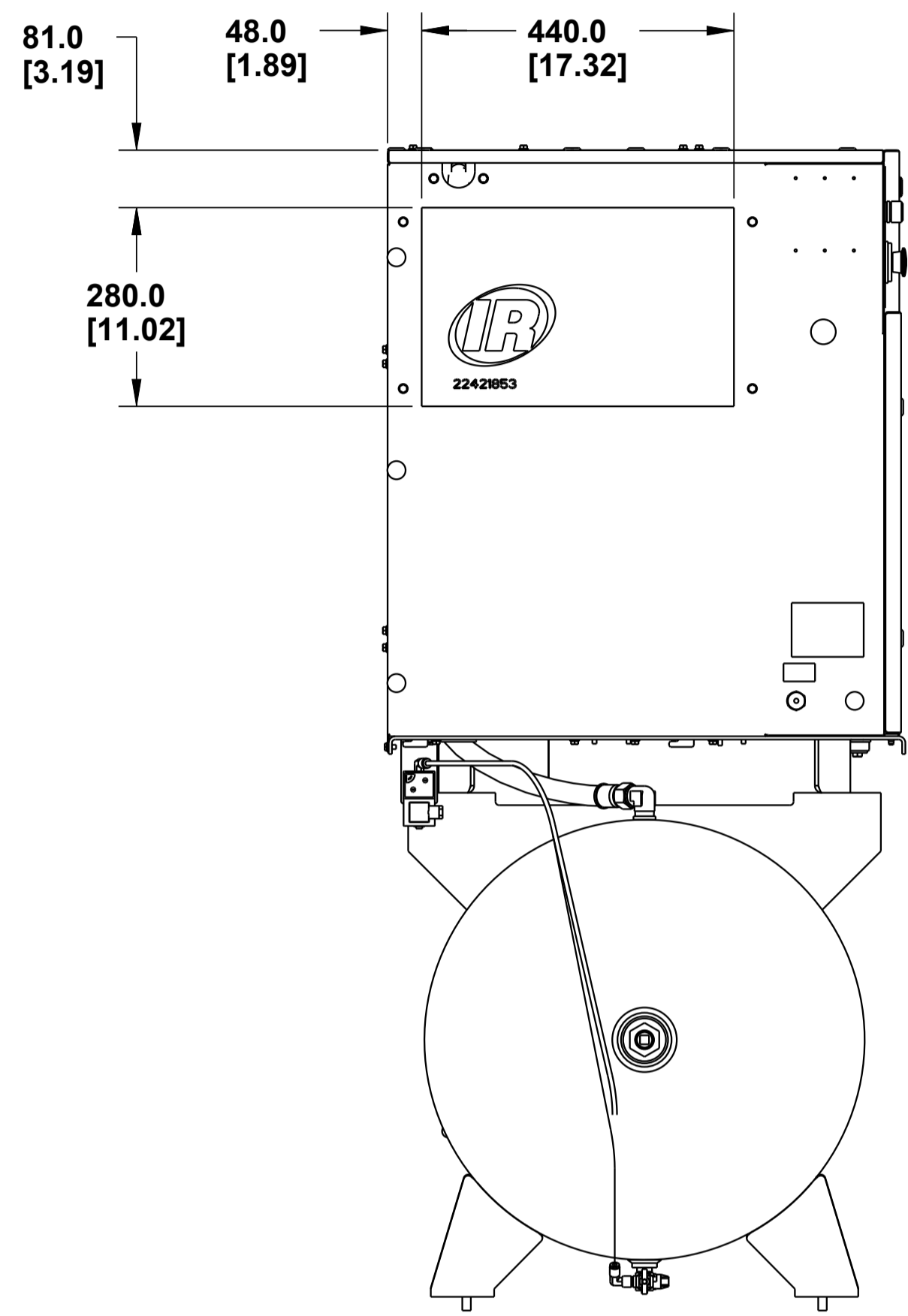
**GENERAL ARRANGEMENT UP-SERIES (120 GAL.)**

NAME	ESTIMATED WEIGHT (NO UNLESS OTHERWISE SPECIFIED)	DWG NO.	REVISION
	0.0 kilogram	<b>22469191</b>	<b>K</b>
SCALE	MODEL	PART NO.	SHEET
0.13	UP-SERIES		1 of 3

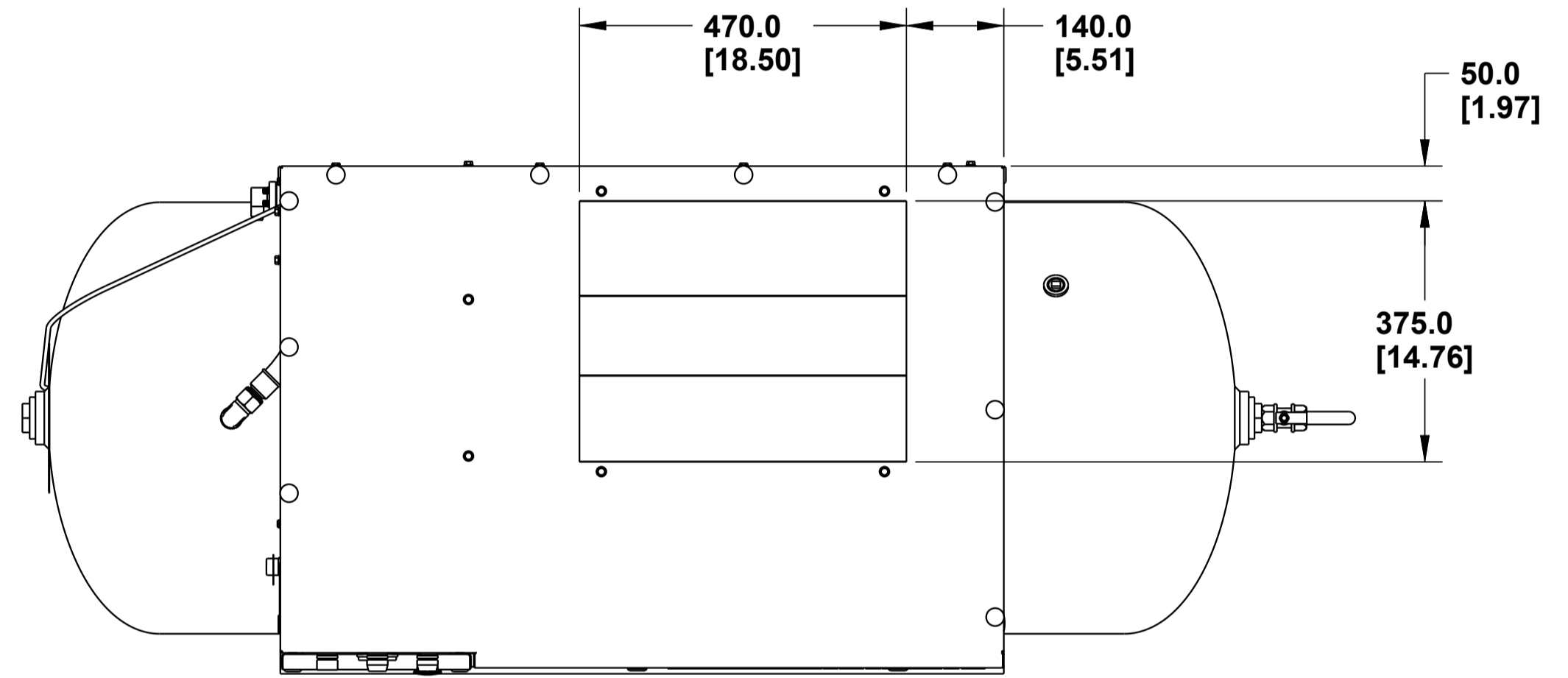
REVISIONS						
ZONE	REV	ECN	DESCRIPTION	DATE	DRAWN	APP'D
1-B2 1-B3 2-C2 3-D7	H	1117762	UPDATED DRAWING TO LATEST FORMAT. REMOVED 3/8" BSPP CONDENSATE DRAIN. REMOVED DIMS 30.8 AND 732.8. REMOVED PILOT VALVE, FILTER AND RELATED PARTS. DIM 81.0 WAS 101.0.	2016OCT07	H.AVINASH	C.FRAZIER
	J	1265482	UPDATED DIMENSIONS AS PER NEW BASE	2017SEP28	M.PRASHANT	C.FRAZIER
	K	1288357	UPDATED GROUP. DISCHARGE TUBE 42576082 UPDATED GROUP. RECEIVER 42568717	2018MAR20	M.PRASHANT	C.FRAZIER



<small>PROPRIETARY NOTICE</small> <small>THIS DRAWING CONTAINS CONFIDENTIAL AND TRADE SECRET INFORMATION. IS THE PROPERTY OF INgersoll RAND CO. AND IS GIVEN TO THE RECEIVER IN CONFIDENCE. THE RECEIVER BY ACCEPTANCE AND RETENTION OF THE DRAWING ACCEPTS THE DRAWING IN CONFIDENCE AND AGREES THAT, EXCEPT AS AUTHORIZED IN WRITING BY INgersoll RAND CO. IT WILL (1) NOT USE THE DRAWING OR ANY COPY THEREOF OR THE CONFIDENTIAL OR TRADE SECRET INFORMATION THEREIN; (2) NOT COPY THE DRAWING; (3) NOT DISCLOSE TO OTHERS EITHER THE DRAWING OR THE CONFIDENTIAL OR TRADE SECRET INFORMATION THEREIN; AND (4) UPON COMPLETION OF THE NEED TO RETAIN THE DRAWING, OR UPON DEMAND, RETURN THE DRAWING. ALL COPIES THEREOF, AND ALL MATERIAL COPIED THEREFROM.</small>		<small>NAME</small> <b>GENERAL ARRANGEMENT UP-SERIES (120 GAL.)</b>	
<small>SIZE</small> <b>A1</b>	<small>DWG NO.</small> <b>22469191</b>	<small>REVISION</small> <b>K</b>	
<small>SCALE</small> 0.13	<small>NOMENCLATURE</small>	<small>SHEET</small> 2 of 3	



**LEFT VIEW WITHOUT  
ODM ENCLOSURE**



**TOP VIEW WITHOUT  
ODM ENCLOSURE**

<small>PROPRIETARY NOTICE</small> <small>THIS DRAWING CONTAINS CONFIDENTIAL AND TRADE SECRET INFORMATION. IS THE PROPERTY OF INGERSOLL RAND CO. AND IS GIVEN TO THE RECEIVER IN CONFIDENCE. THE RECEIVER BY RECEIPT AND RETENTION OF THE DRAWING ACCEPTS THE DRAWING IN CONFIDENCE AND AGREES THAT, EXCEPT AS AUTHORIZED IN WRITING BY INGERSOLL RAND CO. IT WILL (1) NOT USE THE DRAWING OR ANY COPY THEREOF OR THE CONFIDENTIAL OR TRADE SECRET INFORMATION THEREIN, (2) NOT COPY THE DRAWING, (3) NOT DISCLOSE TO OTHERS EITHER THE DRAWING OR THE CONFIDENTIAL OR TRADE SECRET INFORMATION THEREIN, AND (4) UPON COMPLETION OF THE NEED TO RETAIN THE DRAWING, OR UPON DEMAND, RETURN THE DRAWING, ALL COPIES THEREOF, AND ALL MATERIAL COPIED THEREFROM.</small>		<small>NAME</small> <b>GENERAL ARRANGEMENT UP-SERIES (120 GAL.)</b>	
<small>SIZE</small> <b>A1</b>	<small>DWG NO.</small> <b>22469191</b>	<small>REVISION</small> <b>K</b>	
<small>SCALE</small> 0.13	<small>NOMENCLATURE</small>	<small>SHEET</small> 3 of 3	