



VERTICAL FAN COILS

200 - 1,200 CFM

ADVANCED
HYDRONICS



CONTENTS

MORE THAN JUST FAN COILS	3
FAN COIL & AIR HANDLERS MODEL IDENTIFICATION SYSTEM	4
VERTICAL FAN COILS - L SERIES	5
STANDARD FEATURES	8
OPTIONS	9
AHRI CERTIFIED COOLING CAPACITY	10
HEATING PERFORMANCE	11
COIL DATA	12
ELECTRIC HEAT	13
AIR FLOW DATA	14
MOTOR DATA	15
SOUND DATA	16
WEIGHTS & MEASURES	17
CERTIFIED DIMENSIONAL DRAWING	19
GENERAL INFORMATION	29



ETL LISTED

Williams Vertical Fan Coils are listed by Intertek (ETL). The ETL listing ensures that Williams Vertical Fan Coils have been examined by ETL and comply with the organization's applicable standards. ETL's re-examination service includes periodic visits by ETL inspectors to Williams' factory to ensure continued compliance for all listed products. Materials and equipment acceptance for use by the New York Department of Buildings: AH 008-120 / MEA 414-05-E



AHRI CERTIFIED

Williams Vertical Fan Coils are labeled and approved by the Air Conditioning, Heating & Refrigeration Institute (AHRI). This designation signifies that Williams Vertical Fan Coil units have been rated as follows in accordance with the latest edition of ANSI/AHRI 440 with Addendum 1 Performance Rating of Room Fan Coils and subject to rating accuracy by AHRI sponsored, independent, third-party testing.



ALS-TRUESDAIL CERTIFICATION MARK FOR DRINKING WATER SYSTEM COMPONENTS - HEALTH EFFECTS

Certified Product and/or packaging, and/or documentation certified to both NSF/ANSI 61 and NSF/ANSI 372 by Truesdail shall bear this Certification mark to identify the compliance.

MORE THAN JUST FAN COILS

For over 100 years, Williams has been a market leader in providing high quality HVAC products for residential and commercial buildings. Today, Williams continues the proud tradition by offering to the commercial/industrial market more configurations and size options of quality fan coils and blower coils/air handlers than any other HVAC company in North America.

Williams is based in Colton California, serving all US and overseas markets with complete application engineering, sales, marketing and administrative services.

Our pledge is to provide complete, high quality and timely support for the successful completion of your construction projects involving engineered products offered by Williams. We believe in a partnering attitude that creates superior projects and high levels of satisfaction.

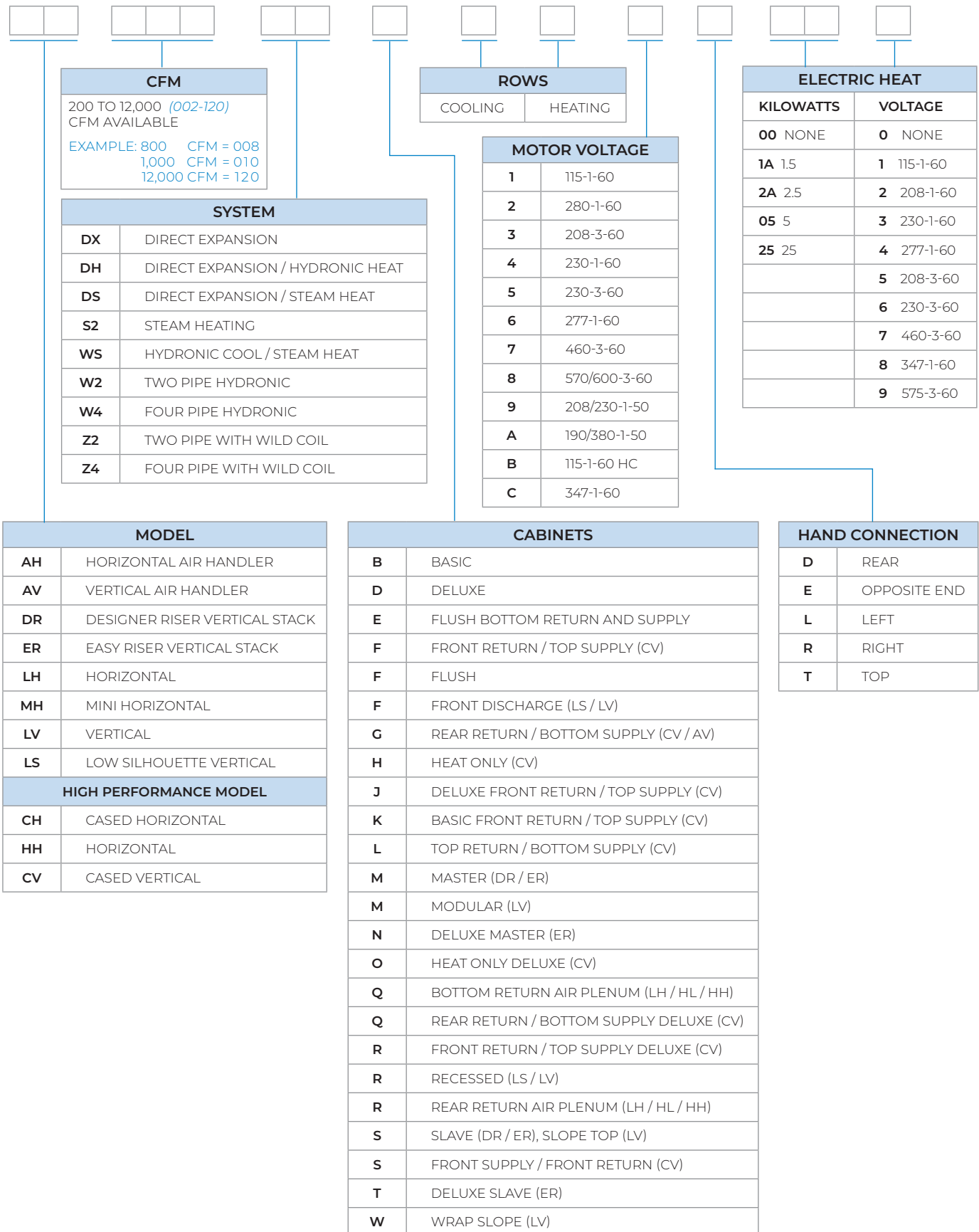


COLTON, CALIFORNIA

FAN COIL ASSEMBLY

AIR HANDLER ASSEMBLY

WILLIAMS FAN COIL AND AIR HANDLERS MODEL IDENTIFICATION SYSTEM



VERTICAL FAN COILS - LV SERIES

200 - 1,200 CFM

VERTICAL BASIC / LV-B

The slim, compact design of our Vertical Basic fan coil (LV-B) is intended for furred in applications with a field fabricated, custom enclosure. Housed in a heavy gauge galvanized steel cabinet and insulated with ½" thick neoprene coated fiberglass, this reliable fan coil is ideal for almost any through the wall installation.



VERTICAL DELUXE / LV-D

Our basic unit in a soft white, powder coated epoxy finished cabinet. The Vertical Deluxe fan coil (LV-D) is designed for exposed wall mounting. Most commonly installed under windows, the one piece, wrap around front panel is easily removed for servicing. Filters are concealed and can be removed without the need for tools.



VERTICAL SLOPE TOP / LV-S

The Vertical Slope Top (LV-S) is our Vertical Deluxe model, only the cabinet is designed with a full sloping top. The vertical slope top also features solid side panels so that units may be set side by side for long corridor applications. This unit is ideal for any application in which books or materials are likely to be placed over discharge grilles.



VERTICAL WRAP SLOPE TOP / LV-W

The vertical wrap slope top (LV-W) is our standard vertical slope top, only the cabinet is designed with a wrap around front panel. The cabinet top is flat for three inches out from the wall to accommodate blinds or draperies, then gradually slopes forward. Ideal for hotel, motel and dormitory rooms, this modified cabinet still discourages items being placed over the discharge grille.



VERTICAL FAN COILS - LV SERIES

200 - 1,200 CFM

VERTICAL MODULAR / LV-M

Our Vertical Modular (LV-M) is our standard vertical slope top model with a flat top cabinet. A removable, single piece front panel provides complete access to the unit for servicing the motor, coil, valve package, drain pan, filter and all other components. The cabinet includes top discharge and front-return grilles.



VERTICAL FRONT DISCHARGE / LV-F

In a modified version of our Vertical Modular, the cabinet of the Vertical Front Discharge (LV-F) is designed with front discharge and return air grilles. Removable front panel below the front discharge air grille provides total access to the unit for servicing. The vertical front discharge is an attractive, exposed unit that is ideal for perimeter heating and cooling in a wide variety of building environments.



VERTICAL RECESSED / LV-R AND LS-R

Our Vertical Recessed is designed for recessed wall installation where space is limited. The design is well suited for hallways, bathrooms and other smaller areas. The Vertical Recessed has a soft white, epoxy powder coat access panel that's easily removed for service.



LOW SILHOUETTE VERTICAL BASIC / LS-B

Designed for furred in, under the window applications, the low silhouette vertical basic (LS-B) stands only 15 1/2" high and accommodates a field furnished and installed decorative enclosure that conceals the unit. The basic unit consists of a chassis, fan deck, drain pan, throwaway filter and a top-discharge duct collar.



LOW SILHOUETTE VERTICAL DELUXE TOP DISCHARGE / LS-D

The Low Silhouette Vertical Deluxe (LS-D) is similar to the Basic, only specifically designed for exposed under window applications. The attractive, streamlined cabinetry blends with any room decor and is a favorite of architects and contractors. The cabinet comes with our soft white, powder coated epoxy. Also available as Front Discharge and Recessed



LOW SILHOUETTE FRONT DISCHARGE VERTICAL CABINET / LS-F

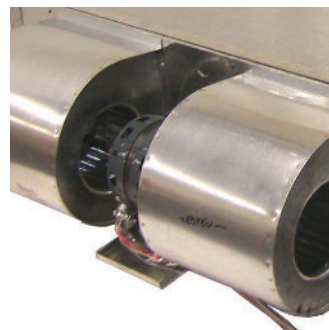
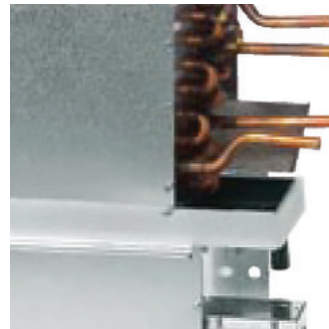
The Vertical Low-Silhouette Front Discharge is a low-static (up to .25 ESP) fan coil with a draw through design. The LS-F fan coil comes with a coil, blower/ motor assembly and a galvanized steel, powder coated epoxy drain pan covered with 1/8" thick insulation. The cabinet is insulated with 1/2" thick neoprene coated fiberglass. The LS-F cabinet and top control access panel are finished in a soft white powder coated epoxy with black bar type front discharge and return air grilles. Freestanding at 14 1/2 inches in height.



(This is a custom designed fan coil, certified dimensional drawings provided upon request.)

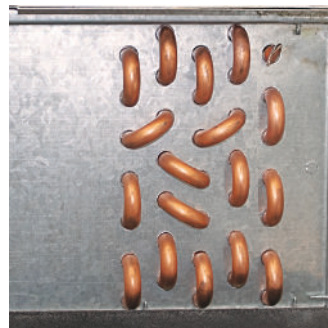
STANDARD FEATURES

- Heavy gauge galvanized steel cabinet with neoprene coated 1/2" thick fiberglass insulation with 3.35 PCF density.
- Coils are made of 1/2" OD copper tube with aluminum fins (12 FPI) equipped with manual air vent. Direct Expansion (DX) and steam coils do not include manual air vent. Coils are 100% underwater pressure tested at 350 PSI with a 300 PSI working pressure.
- Galvanized drain pan is powder coated epoxy with a 1/8" thick elastomeric insulation and has primary and secondary drain connections.
- Three speed, 115/1/60, 208/1/50-60 or 277/1/60 PSC motor with quick connect plug.
- Controls and motors are factory wired and terminated in a junction box for single point power supply.
- Stamped, louvered discharge grille on Vertical Slope Top, Wrap Slope Top and Recessed.
- Black, bar type discharge grille on Vertical Front Discharge, Modular and Low Silhouette Deluxe Front Discharge.
- Multiple, four way quadrafuser discharge grilles on Vertical Deluxe and Low Silhouette Deluxe.
- One inch fiberglass, throwaway filter.
- Designed to be floor or wall mounted with six mounting holes provided for wall mounting.
- Individually tagged, crated and shipped as scheduled for installation.
- AHRI certified and ETL approved.



OPTIONS

- Soft white, powder coated epoxy cabinet.
- Drain Pans - stainless steel and double wall.
- Insulation - fiberglass, foil face, elastomeric and double wall (solid or perforated) in 1/2" and 1" thicknesses.
- Coils - copper fins/tubes, stainless steel fins/tubes, phenolic coated, stainless steel end plates. All options are available on one to five row for LV units and one to three rows for LS units.
- Systems - two or four pipe, hydronic cooling/heating, steam, DX and/or electric heat.
- Cabinet - Deluxe, Front Discharge, Recessed, Slope Top and Modular.
- Grilles - available in custom colors.
- ECM™ motors; programmed 3 speed, or variable volume, 120-240/1 /60 or 277 /1 /60.
- Controls - unlimited selection of factory mounted valves and controls.
- Filters - washable 1" hand metallic.
- Flow-control circulator for water heating applications.
- Electric Strip Heat from 0.5 to 5 kW.



AHRI CERTIFIED COOLING CAPACITY



Williams Vertical Fan Coils are labeled and approved by the Air Conditioning, Heating & Refrigeration Institute (AHRI). This designation signifies that Williams Vertical Fan Coil units have been rated as follows in accordance with the latest edition of ANSI/AHRI 440 with Addendum 1 Performance Rating of Room Fan Coils and subject to rating accuracy by AHRI sponsored, independent, third-party testing.

ARI APPROVED STANDARD RATINGS						COOLING CAPACITY		POWER INPUT (WATTS)
SIZE	MODEL / MOTOR TYPE	STYLE	RATED CFM	GPM	WPD (FT/H ₂ O)	TOTAL COOLING (BTUH)	SENSIBLE COOLING (BTUH)	
LV002	Standard	B, R	230	1.2	0.8	6,080	5,030	106
		D, F, M, S, W	210	1.1	0.7	5,700	4,670	104
LV003	Standard	B, R	330	1.6	1.1	7,940	6,820	116
		D, F, M, S, W	305	1.5	1.0	7,470	6,370	113
LV004	Standard	B, R	390	2.5	2.6	12,460	9,480	132
		D, F, M, S, W	350	2.3	2.3	11,380	8,610	118
LV006	Standard	B, R	550	3.6	5.0	18,020	13,780	146
		D, F, M, S, W	510	3.4	4.5	16,960	12,890	136
LV008	Standard	B, R	690	5.0	3.9	25,110	18,310	236
		D, F, M, S, W	640	4.7	3.6	23,540	17,090	228
LV010	Standard	B, R	840	6.4	6.0	31,810	22,770	283
		D, F, M, S, W	790	6.0	5.5	30,110	21,510	273
LV012	Standard	B, R	980	7.5	7.8	37,440	26,700	316
		D, F, M, S, W	920	7.1	7.5	35,370	25,160	298
LS004	Standard	B, R	405	2.6	3.0	13,220	9,960	123
		D, F	370	2.5	2.7	12,260	9,200	119
LS006	Standard	B, R	440	2.8	3.3	14,170	10,730	134
		D, F	400	2.6	3.0	13,070	9,850	127

Notes: 1) Based on 80°F DB and 67°F WB EAT, 45°F EWT, 10°F temperature rise, high fan speed. Motor voltage 115/1/60 power source. Air flow under dry coil conditions. Water pressure drops shown in feet of water. All units are listed under UL Category Control No. LZFE.

2) Ratings are based on actual CFM. Standard coils for LV002-004/LS004-006 is 3 rows and LV006-012 is 4 rows.

3) Legend - B = Basic; R = Recessed; D = Deluxe; F = Front Discharge; M = Modular; S = Slope Top and W = Wrap Slope Top.

HEATING PERFORMANCE

MODEL / SIZE	COIL ROWS/(FPI)	RATED CFM	MBH	GPM	WPD (FT./H ₂ O)
LV002	1 Row (12)	245	13.2	0.7	0.6
LV002	2 Rows (12)	245	23.3	1.2	2.4
LV003	1 Row (12)	365	13.6	0.7	0.6
LV003	2 Rows (12)	365	24.1	1.2	2.5
LV004	1 Row (12)	435	20.4	1.0	1.3
LV004	2 Rows (12)	435	33.1	1.7	5.2
LV006	1 Row (12)	710	28.5	1.4	2.3
LV006	2 Rows (12)	710	44.3	2.2	1.7
LV008	1 Row (12)	925	38.2	1.9	4.5
LV008	2 Rows (12)	925	58.8	2.9	3.1
LV010	1 Row (12)	1,080	41.6	2.1	1.0
LV010	2 Rows (12)	1,080	71.0	3.5	4.4
LV012	1 Row (12)	1,290	47.4	2.4	1.3
LV012	2 Rows (12)	1,290	77.5	3.9	2.9
LS004	1 Row (12)	450	21.1	1.1	1.5
LS004	2 Rows (12)	450	31.9	1.6	1.0
LS006	1 Row (12)	665	30.1	2.0	3.6
LS006	2 Rows (12)	665	47.1	3.2	2.5

Notes: Based on 70°F DB EAT, 180°F EWT, 40°F temperature rise, high fan speed. Motor voltage 115/1/60 power source. Air flow under dry coil conditions. Water pressure drops shown in feet of water.

COIL DATA

Coils are made from ½" OD copper tubing with .017" wall thickness, and tubes are staggered for maximum heat transfer. A manual air vent is standard on all hydronic coils. DX and steam coils do not include manual air vent. All coils are 100% underwater pressure tested to 350 PSIG with a 300 PSIG working pressure. Steam coils are rated for up to 15 PSIG or 250°F.

Coils are available in two or four pipe, and from one to five row configurations for LV Series units with any combination of chilled or hot water, steam or DX. Custom circuiting is available.

COIL DATA

COIL ROW	LS SERIES		LV SERIES					
	004	006	002	003	004	006	010	012
Single-Row Coil								
Two-Row Coil			STANDARD					
Three-Row Coil								
Four-Row Coil	NOT AVAILABLE							
*Five-Row Coil					OPTIONAL			

* Four row coil maximum when selecting a DX coil with a hot water coil.

COIL OPTIONS:

- DX – Includes distributor and nozzle, TXV must be field furnished and installed
- Steam – 1-15 PSIG
- Opposite End Connection
- Preheat Coil Position – Standard coil is reheat position
- Phenolic Anti-Corrosion Coating
- Copper Fins/Tubes
- Stainless Steel Tubes/Fins/End Plates
- 6-16 Fins Per Inch (Standard is 12 FPI) - consult with factory for proper sizing and application information.

Coil connections on the chilled water side for LV002-006/LS004-006 is ½" and ¾" on LV008-012. The hot water connection is ½" on the LV002-012/LS004-006.



ELECTRIC HEAT

Electric heat may be furnished with either hydronic, direct expansion or steam coils and is factory mounted, wired, and tested. Option equipped with low watt density (for long life) nichrome wire elements. The heater has a built-in, high limit, and fusible link to provide maximum safety.

MODEL / SIZE	kW	0.5	1.0	1.5	2.0	2.5	3.0	3.5	4.0	4.5	5.0
	VOLTAGE	AMPS									
LV002	115	4.4	8.7	13.0	17.4						
	208	2.4	4.8	7.2	9.6	12.0					
	230	2.2	4.4	6.5	8.7	10.9					
	277	1.8	3.6	5.4	7.2	9.0					
LV003	115	4.4	8.7	13.0	17.4						
	208	2.4	4.8	7.2	9.6	12.0					
	230	2.2	4.4	6.5	8.7	10.9					
	277	1.8	3.6	5.4	7.2	9.0					
LS/LV004	115	4.4	8.7	13.0	17.4	21.7	26.1				
	208	2.4	4.8	7.2	9.6	12.0	14.4	16.8	19.2	21.6	24.0
	230	2.2	4.4	6.5	8.7	10.9	13.0	15.2	17.4	19.6	21.7
	277	1.8	3.6	5.4	7.2	9.0	10.8	12.6	14.4	16.3	18.1
LS/LV006	115	4.4	8.7	13.0	17.4	21.7	26.1				
	208	2.4	4.8	7.2	9.6	12.0	14.4	16.8	19.2	21.6	24.0
	230	2.2	4.4	6.5	8.7	10.9	13.0	15.2	17.4	19.6	21.7
	277	1.8	3.6	5.4	7.2	9.0	10.8	12.6	14.4	16.3	18.1
LV008	115	4.4	8.7	13.0	17.4	21.7	26.1				
	208	2.4	4.8	7.2	9.6	12.0	14.4	16.8	19.2	21.6	24.0
	230	2.2	4.4	6.5	8.7	10.9	13.0	15.2	17.4	19.6	21.7
	277	1.8	3.6	5.4	7.2	9.0	10.8	12.6	14.4	16.3	18.1
LV010	115	4.4	8.7	13.0	17.4	21.7	26.1				
	208	2.4	4.8	7.2	9.6	12.0	14.4	16.8	19.2	21.6	24.0
	230	2.2	4.4	6.5	8.7	10.9	10.8	15.2	17.4	19.6	21.7
	277	1.8	3.6	5.4	7.2	9.0	26.1	12.6	14.4	16.3	18.1
LV012	115	4.4	8.7	13.0	17.4	21.7	14.4				
	208	2.4	4.8	7.2	9.6	12.0	13.0	16.8	19.2	21.6	24.0
	230	2.2	4.4	6.5	8.7	10.9	10.8	15.2	17.4	19.6	21.7
	277	1.8	3.6	5.4	7.2	9.0		12.6	14.4	16.3	18.1

AIR FLOW DATA

Air flow shown below is under dry coil conditions.

AIR FLOW DATA		EXTERNAL STATIC PRESSURE																	
SIZE	COIL ROWS	0.00			0.05			0.10			0.15			0.20			0.25		
		HI	MED	LOW	HI	MED	LOW	HI	MED	LOW	HI	MED	LOW	HI	MED	LOW	HI	MED	LOW
LV002	2 ROW	215	200	165	180	168	140	152	132	117	138	113	101	129	104	95	117	95	79
	3 ROW	210	195	160	175	163	135	147	128	112	133	108	96	124	99	91	112	89	74
LV003	2 ROW	325	295	250	255	223	190	195	152	135	152	128	115	130	113	105	116	100	99
	3 ROW	320	290	245	250	218	183	190	148	130	147	123	110	125	107	100	111	95	84
LV004	3 ROW	340	325	295	280	255	225	215	195	160	160	140	125	138	126	115	129	120	111
	4 ROW	335	320	290	275	250	220	210	190	155	155	135	120	133	121	110	125	115	106
LV006	3 ROW	510	420	315	460	375	275	425	335	235	375	303	301	346	280	193	328	260	187
	4 ROW	500	410	305	450	365	265	415	325	225	365	293	191	336	270	184	317	250	178
LV008	3 ROW	635	620	315	580	560	275	530	505	235	470	450	200	424	403	193	390	360	187
	4 ROW	625	610	305	570	550	265	520	495	225	460	440	190	414	393	183	379	350	177
LV010	3 ROW	790	725	455	745	695	405	710	665	370	681	638	340	651	618	312	634	600	312
	4 ROW	780	715	445	735	685	395	700	655	360	671	628	330	641	608	302	624	590	302
LV012	3 ROW	980	840	675	940	795	635	900	740	610	865	713	586	836	698	572	617	685	566
	4 ROW	965	825	660	925	781	620	885	725	595	850	698	571	821	683	557	802	670	551

Notes: Ratings and capacity tables based on nominal CFM.

MOTOR DATA

Motors are wired to a junction box ready for single point field connection.

OUTSTANDING MOTOR FEATURES:

- Quick connect plug
- Permanent split capacitor
- Thermal overload protection
- 1050 RPM for lower operating costs
- Oversized bearings are permanently lubricated and sealed
- 122°F maximum operating temperature
- Custom motor mounts designed to reduce noise and eliminate vibration
- Stators are epoxy dipped for more efficient motor cooling

OPTIONAL MOTORS:

- 208V-1Ø-60 motors
- 277V-1Ø-60 motors
- 230/220V-1Ø-60 motors
- 50-Hz motors in specified voltages

60 Hertz SINGLE-PHASE MOTORS (1100 RPM)			VOLTAGE / WATTS							
			115V		208V		230V		277V	
MODEL	HP (QTY)	BLOWERS	AMPS	WATTS	AMPS	WATTS	AMPS	WATTS	AMPS	WATTS
LV002	1/20 (1)	1	0.78	98	0.66	98	0.45	98	0.40	98
LV003	1/20 (1)	1	1.00	104	0.66	104	0.55	104	0.50	104
LV004	1/15 (1)	2	1.00	134	0.55	134	0.55	134	0.50	134
LV002	1/15 (1)	2	1.20	141	0.55	141	0.65	141	0.60	141
LV008	1/4 (1)	2	2.30	215	1.45	215	1.20	215	1.00	215
LV010	1/4 (1)	2	2.50	231	1.76	231	1.30	231	1.10	231
LV012	1/4 (1)	2	3.00	249	2.10	249	1.60	249	1.30	249

60 Hertz SINGLE-PHASE MOTORS (1100 RPM)			VOLTAGE / WATTS							
			115V		208V		230V		277V	
MODEL	HP (QTY)	BLOWERS	AMPS	WATTS	AMPS	WATTS	AMPS	WATTS	AMPS	WATTS
LS004	1/15 (1)	1	1.00	126	0.55	126	0.50	126	0.50	126
LS006	1/15 (1)	1	1.30	137	0.66	137	0.60	137	0.70	137

Notes: Motor full load amps listed refer to NEC amps. Actual motor nameplate amps may vary.

SOUND DATA

MODEL / SIZE	FAN SPEED	OCTAVE BAND						
		2	3	4	5	6	7	8
		CENTER FREQUENCY (CPS)						
		125	250	500	1000	2000	4000	8000
LV002	High	46.0	47.0	44.0	40.0	36.0	30.0	26.0
	Medium	45.0	45.0	41.0	38.0	32.0	27.0	24.0
	Low	40.0	41.0	38.0	31.0	25.0	23.0	19.0
LV003	High	48.0	48.5	46.0	43.0	37.0	32.0	28.0
	Medium	46.0	47.0	44.0	41.0	34.0	29.5	25.5
	Low	42.0	43.0	40.0	33.5	28.0	24.0	21.0
LV004	High	50.0	51.0	49.0	45.0	39.0	34.5	29.5
	Medium	48.0	49.5	46.5	42.5	36.5	31.0	27.0
	Low	43.5	45.0	42.5	39.0	30.5	25.7	22.5
LV006	High	51.0	52.0	49.5	44.5	38.5	33.0	29.0
	Medium	48.5	50.0	47.0	41.5	37.0	31.5	27.0
	Low	44.0	45.5	42.5	34.5	30.5	26.0	22.5
LV008	High	52.0	53.0	47.5	42.5	36.0	31.5	28.0
	Medium	50.5	50.0	46.5	40.0	35.5	29.0	25.0
	Low	46.0	45.5	42.5	33.2	29.5	24.0	20.5
LV010	High	51.0	52.5	48.0	42.5	36.5	33.0	29.5
	Medium	49.0	50.0	46.0	42.0	34.0	30.0	26.5
	Low	44.5	45.5	41.5	35.30	28.2	24.5	22.0
LV012	High	50.0	51.5	46.0	42.0	36.0	31.5	29.0
	Medium	48.5	49.5	44.0	40.0	33.5	29.0	26.0
	Low	43.5	45.0	40.0	33.2	27.0	24.0	21.5
LS004	High	49.0	51.0	47.0	43.0	40.0	34.0	24.0
	Medium	46.0	48.0	45.5	41.0	37.0	30.0	24.0
	Low	42.5	45.0	41.5	38.0	31.0	24.0	22.0
LS006	High	50.0	51.5	48.0	43.0	36.0	31.0	27.5
	Medium	48.0	47.0	46.0	39.0	35.5	30.0	25.0
	Low	43.0	45.0	42.0	32.0	27.0	26.0	21.0

- Notes:**
- 1) Power levels are in dB RE 10-12 watts.
 - 2) Sound data tested in accordance with ASHRAE Standard 68 and ARI Standard 260 and 350.
 - 3) Ratings are based on actual CFM. Standard coils for LV002-004/LS004-006 is 3 rows and LV006-012 is 4 rows.
 - 4) Air Flow under dry coil conditions.

WEIGHTS & MEASURES

The following LV & LS Series weights and measures are based on fan coil units only. Add approximately 20% for packaging and crating.

UNIT	MODEL	ROWS	DIMENSIONS/INCHES			WEIGHT/LBS.		DIMENSIONS/MILLIMETERS			WEIGHT/KG	
			HEIGHT	WIDTH	DEPTH	DRY	WET	HEIGHT	WIDTH	DEPTH	DRY	WET
LV SERIES BASIC	002	3	23	26	10	84	86	584	661	254	38	39
	002	2	23	26	10	89	92	584	661	254	40	42
	003	3	23	26	10	84	86	584	661	254	38	39
	003	2	23	26	10	89	92	584	661	254	40	42
	004	3	23	37	10	117	123	584	940	254	53	56
	004	4	23	37	10	123	130	584	940	254	56	59
	006	3	23	42	10	130	136	584	1067	254	59	62
	006	4	23	42	10	136	144	584	1067	254	62	65
	008	3	26	43	11	184	190	660	1092	280	83	86
	008	4	26	43	11	190	198	660	1092	280	86	90
	010	3	26	47	11	200	207	660	1194	280	91	94
	010	4	26	47	11	206	216	660	1194	280	94	98
012	3	26	51	11	218	226	660	1296	280	99	103	
012	4	26	51	11	225	236	660	1296	280	102	107	
LV SERIES DELUXE	002	3	26	36	12	140	142	660	915	305	64	65
	002	2	26	36	12	145	148	660	915	305	66	67
	003	3	26	36	12	140	142	660	915	305	64	65
	003	2	26	36	12	145	148	660	915	305	66	67
	004	3	26	53	12	195	201	660	1346	305	88	91
	004	4	26	53	12	201	208	660	1346	305	91	94
	006	3	26	53	12	205	211	660	1346	305	93	96
	006	4	26	53	12	211	219	660	1346	305	96	99
	008	3	30	58	12	253	259	762	1473	305	115	117
	008	4	30	58	12	259	267	762	1473	305	118	121
	010	3	30	58	12	263	270	762	1473	305	119	122
	010	4	30	58	12	269	279	762	1473	305	122	126
012	3	30	69	12	300	308	762	1753	305	136	140	
012	4	30	69	12	307	318	762	1753	305	139	144	
LV SERIES SLOPE TOP	002	3	30	36	12	140	142	762	915	305	38	65
	002	2	30	36	12	145	148	762	915	305	40	67
	003	3	30	36	12	140	142	762	915	305	38	65
	003	2	30	36	12	145	148	762	915	305	40	67
	004	3	30	53	12	195	201	762	1346	305	53	91
	004	4	30	53	12	201	208	762	1346	305	56	94
	006	3	30	53	12	205	211	762	1346	305	59	96
	006	4	30	53	12	211	219	762	1346	305	62	99
	008	3	34	58	13	253	259	864	1473	330	83	117
	008	4	34	58	13	259	267	864	1473	330	86	121
	010	3	4	58	13	263	270	864	1473	330	91	122
	010	4	34	58	13	269	279	864	1473	330	94	126
012	3	34	69	13	300	308	864	1753	330	99	140	
012	4	34	69	13	307	318	864	1753	330	102	144	
LV SERIES WRAP SLOP TOP	002	3	33	36	12	140	142	838	915	305	64	65
	002	2	33	36	12	145	148	838	915	305	66	67
	003	3	33	36	12	140	142	838	915	305	64	65
	003	2	33	36	12	145	148	838	915	305	66	67
	004	3	33	53	12	195	201	838	1346	305	88	91
	004	4	33	53	12	201	208	838	1346	305	91	94
	006	3	33	53	12	205	211	838	1346	305	93	96
	006	4	33	53	12	211	219	838	1346	305	96	99
	008	3	37	58	12	253	259	940	1473	305	115	117
	008	4	37	58	12	259	267	940	1473	305	118	121
	010	3	37	58	12	263	270	940	1473	305	119	122
	010	4	37	58	12	269	279	940	1473	305	122	126
012	3	37	69	12	300	308	940	1753	305	136	140	
012	4	37	69	12	307	318	940	1753	305	139	144	

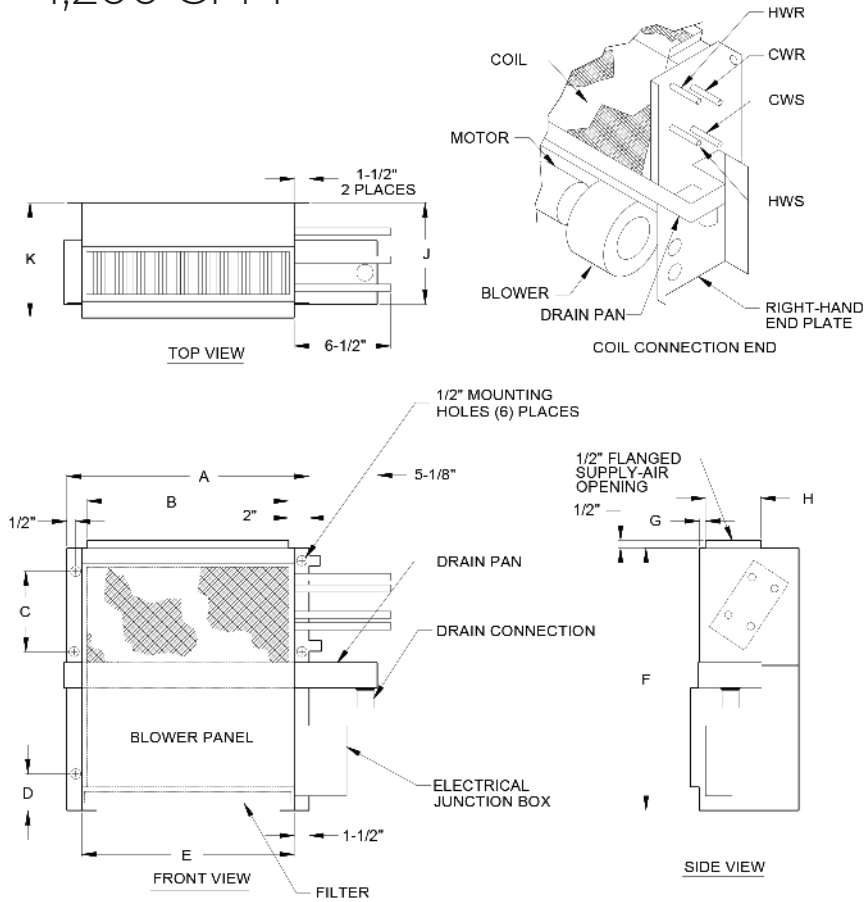
WEIGHTS & MEASURES

The following LV & LS Series weights and measures are based on fan coil units only. Add approximately 20% for packaging and crating.

UNIT	MODEL	ROWS	DIMENSIONS/INCHES			WEIGHT/LBS.		DIMENSIONS/MILLIMETERS			WEIGHT/KG	
			HEIGHT	WIDTH	DEPTH	DRY	WET	HEIGHT	WIDTH	DEPTH	DRY	WET
LV SERIES MODULAR	002	3	27	36	12	140	142	686	915	305	64	65
	002	2	27	36	12	145	148	686	915	305	66	67
	003	3	27	36	12	140	142	686	915	305	64	65
	003	2	27	36	12	145	148	686	915	305	66	67
	004	3	27	53	12	195	201	686	1346	305	88	91
	004	4	27	53	12	201	208	686	1346	305	91	94
	006	3	27	53	12	205	211	686	1346	305	93	96
	006	4	27	53	12	211	219	686	1346	305	96	99
	008	3	31	58	13	253	259	788	1473	330	115	117
	008	4	31	58	13	259	267	788	1473	330	118	121
	010	3	31	58	13	263	270	788	1473	330	119	122
	010	4	31	58	13	269	279	788	1473	330	122	126
012	3	31	69	13	300	308	788	1753	330	136	140	
012	4	31	69	13	307	318	788	1753	330	139	144	
LV SERIES FRONT DISCHARGE	002	3	27	36	12	140	142	788	915	305	64	65
	002	2	27	36	12	145	148	686	915	305	66	67
	003	3	27	36	12	140	142	686	915	305	64	65
	003	2	27	36	12	145	148	686	915	305	66	67
	004	3	27	53	12	195	201	686	1346	305	88	91
	004	4	27	53	12	201	208	686	1346	305	91	94
	006	3	27	53	12	205	211	686	1346	305	93	96
	006	4	27	53	12	211	219	686	1346	305	96	99
	008	3	31	58	13	253	259	686	1473	330	115	117
	008	4	31	58	13	259	267	788	1473	330	118	121
	010	3	31	58	13	263	270	788	1473	330	119	122
	010	4	31	58	13	269	279	788	1473	330	122	126
012	3	31	69	13	300	308	788	1753	330	136	140	
012	4	31	69	13	307	318	788	1753	330	139	144	
LV SERIES RECESSED	002	3	30	30	12	100	102	788	762	305	45	46
	002	2	30	30	12	105	108	788	762	305	48	49
	003	3	30	30	12	100	102	762	762	305	45	46
	003	2	30	30	12	105	108	762	762	305	48	49
	004	3	30	41	12	135	141	762	1041	305	61	64
	004	4	30	41	12	141	148	762	1041	305	64	67
	006	3	30	46	12	140	146	762	1168	305	64	66
	006	4	30	46	12	146	154	762	1168	305	66	70
	008	3	33	47	13	145	151	762	1194	330	66	68
	008	4	33	47	13	151	159	762	1194	330	69	72
	010	3	33	51	13	155	162	839	1295	330	70	73
	010	4	33	51	13	161	171	839	1295	330	73	77
012	3	33	55	13	165	173	839	1397	330	75	79	
012	4	33	55	13	172	183	839	1397	330	78	83	
LS SERIES BASIC	004	2	15	44	17	110	114	381	1118	432	50	52
	004	3	15	44	17	116	121	381	1118	432	53	55
	006	2	15	44	17	110	114	381	1118	432	50	52
	006	3	15	44	17	116	122	381	1118	432	53	55
LS SERIES DELUXE	004	2	17	51	18	140	144	381	1296	457	64	65
	004	3	17	51	18	146	151	432	1296	457	66	69
	006	2	17	51	18	142	146	432	1296	457	64	66
	006	3	17	51	18	148	154	432	1296	457	67	70
LS SERIES FRONT DISCH.	004	2	17	51	18	140	144	432	1296	457	64	65
	004	3	17	51	18	146	151	432	1296	457	66	69
	006	2	17	51	18	142	146	432	1296	457	64	66
	006	3	17	51	18	148	154	432	1296	457	67	70
LS SERIES RECESSED	004	2	16	45	18	135	139	407	457	457	61	63
	004	3	16	45	18	141	146	407	457	457	64	66
	006	2	16	45	18	135	139	407	457	457	61	63
	006	3	16	45	18	141	147	407	457	457	64	67

VERTICAL BASIC

LV-B 200 - 1,200 CFM

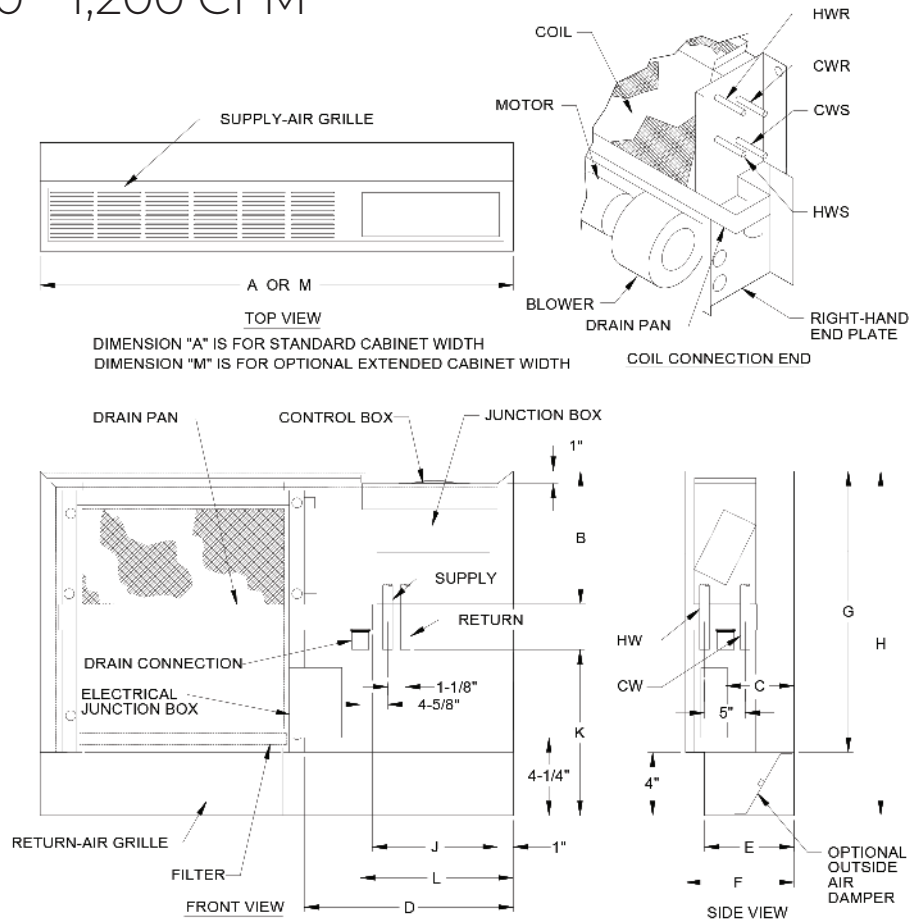


MODEL BASIC	A	B	C	D	E	F	G	H	J	K	FILTER SIZE
200	20	16	N/A	3-1/4	20	22	1/4	4	9-1/2	10	10 x 20 x 1
300	20	16	N/A	3-1/4	20	22	1/4	4	9-1/2	10	10 x 20 x 1
400	31	27	N/A	3-1/4	31	22	1/4	4	9-1/2	10	10 x 31 x 1
600	36	32	N/A	3-1/4	36	22	1/4	4	9-1/2	10	10 x 36 x 1
800	37	33	10-1/4	3	34	25-1/2	1/4	5-1/2	11	11	11 x 34 x 1
1000	41	37	10-1/4	3	38	25-1/2	1/4	5-1/2	11	11	11 x 38 x 1
1200	45	41	10-1/4	3	42	25-1/2	1/4	5-1/2	11	11	11 X 42 X 1

- All sizes shown in inches.
- Right hand unit shown, left hand unit opposite.
- Coil connections determined by facing the supply air opening.
- Electrical junction box is located on the same side as the coil connections.
- Unit must be installed level and condensate drain lines should be trapped.
- Drain pan is powder coated epoxy with a 1/8" thick Elastomeric insulation and has 3/4" NPT primary and secondary drain connections.
- Entire cabinet, scroll and blower wheel are heavy gauge, galvanized steel.
- Coil connections: 1/2" CW on LV002-006, 3/4" CW on LV008-012 and 1/2" HW on LV002-012.

VERTICAL DELUXE

LV-D 200 - 1,200 CFM

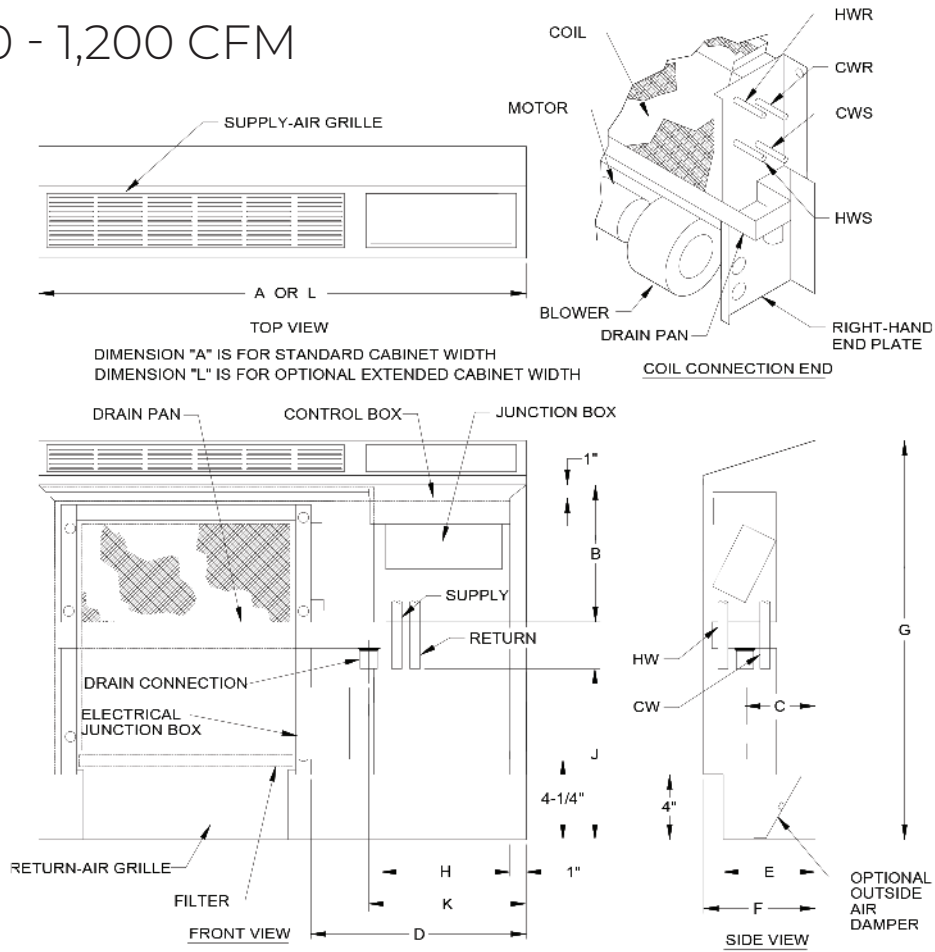


MODEL DELUXE	A	B	C	D	E	F	G	H	J	K	L	M	FILTER SIZE
200	35-1/4	11-3/8	6-3/4	14-1/8	8	11-1/4	22	26	7-7/8	10	9-5/8	40-7/8	10 x 20 x 1
300	35-1/4	11-3/8	6-3/4	14-1/8	8	11-1/4	22	26	7-7/8	10	9-5/8	40-7/8	10 x 20 x 1
400	52-1/8	11-3/8	7	18-1/2	8	11-1/4	22	26	13-7/8	10	15-3/4	57-3/4	10 x 31 x 1
600	52-1/8	11-3/8	7	13-1/4	8	11-1/4	22	26	8-3/4	10	10-1/2	57-3/4	10 x 36 x 1
800	57-3/4	13-5/8	8-1/2	18-1/8	10	12	26	30	13-3/8	11-7/8	15-1/8	63-3/8	11 x 34 x 1
1000	57-3/4	13-5/8	8-1/2	14-1/8	10	12	26	30	9-3/8	11-7/8	11-1/8	63-3/8	11 x 38 x 1
1200	69	13-5/8	8-3/4	21-1/4	10	12	26	30	16-3/4	11-7/8	18-1/2	66	11 X 42 X 1

- All sizes shown in inches.
- Right hand unit shown, left hand unit opposite.
- Coil connections determined by facing the supply air opening.
- Electrical junction box is located on the same side as the coil connections.
- Unit must be installed level and condensate drain lines should be trapped.
- Drain pan is powder-coated epoxy with a 1/8" thick Elastomeric insulation and has 3/4" NPT primary and secondary drain connections.
- Entire cabinet, scroll and blower wheel are heavy-gauge, galvanized steel.
- Coil connections: 1/2" CW on LV002-006, 3/4" CW on LV008-012 and 1/2" HW on LV002-012.

VERTICAL SLOPE TOP

LV-S 200 - 1,200 CFM

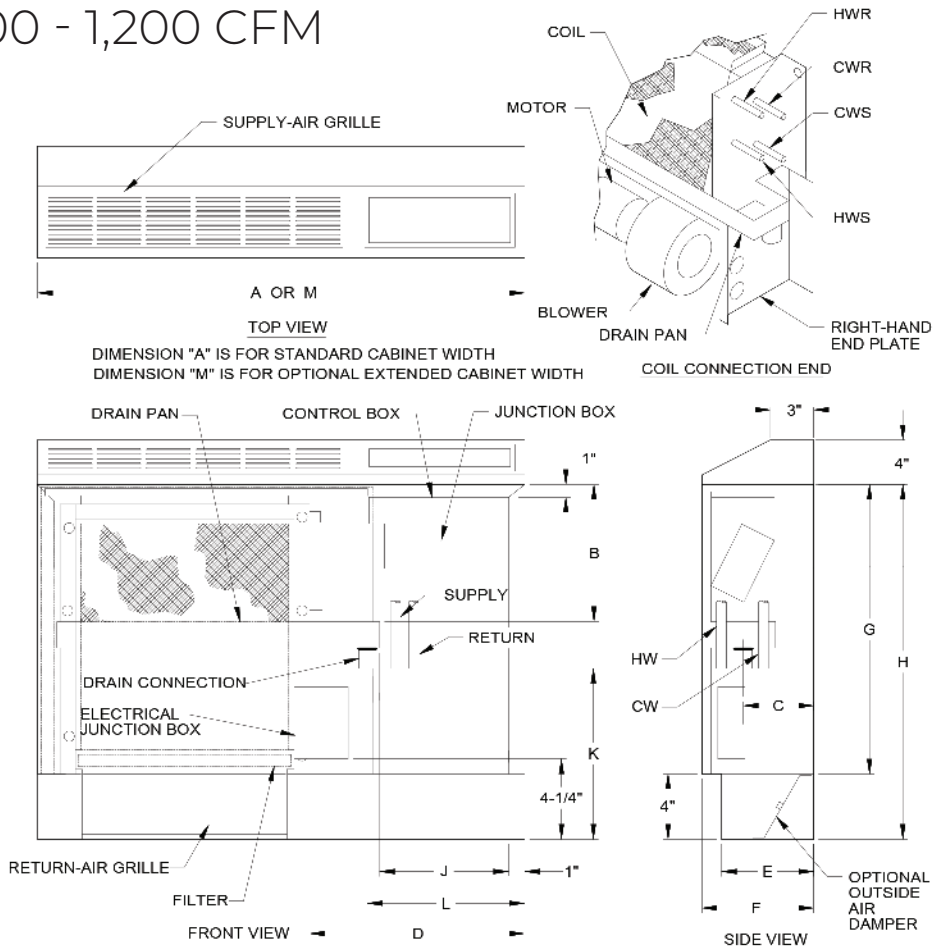


MODEL DELUXE	A	B	C	D	E	F	G	H	J	K	L	FILTER SIZE
200	35-1/4	11-3/8	6-3/4	14-1/8	8	11-1/4	30	7-7/8	10	9-5/8	40-7/8	10 x 20 x 1
300	35-1/4	11-3/8	6-3/4	14-1/8	8	11-1/4	30	7-7/8	10	9-5/8	40-7/8	10 x 20 x 1
400	52-1/8	11-3/8	6-3/4	18-1/2	8	11-1/4	30	13-7/8	10	15-3/4	57-3/4	10 x 31 x 1
600	52-1/8	11-3/8	6-3/4	13-1/4	8	11-1/4	30	8-3/4	10	10-1/2	57-3/4	10 x 36 x 1
800	57-3/4	14-5/8	8-1/2	18-1/8	10	12	34	13-3/8	11-7/8	15-1/8	63-3/8	11 x 34 x 1
1000	57-3/4	14-5/8	8-1/2	14-1/8	10	12	34	9-3/8	11-7/8	11-1/8	63-3/8	11 x 38 x 1
1200	69	14-5/8	8-3/4	21-1/4	10	12	34	16-3/4	11-7/8	18-1/2	66	11 X 42 X 1

- All sizes shown in inches.
- Right hand unit shown, left hand unit opposite.
- Coil connections determined by facing the supply air opening.
- Electrical junction box is located on the same side as the coil connections.
- Unit must be installed level and condensate drain lines should be trapped.
- Drain pan is powder-coated epoxy with a 1/8" thick Elastomeric insulation and has 3/4" NPT primary and secondary drain connections.
- Entire cabinet, scroll and blower wheel are heavy gauge, galvanized steel.
- Coil connections: 1/2" CW on LV002-006, 3/4" CW on LV008-012 and 1/2" HW on LV002-012.

VERTICAL WRAP SLOPE TOP

LV-W 200 - 1,200 CFM

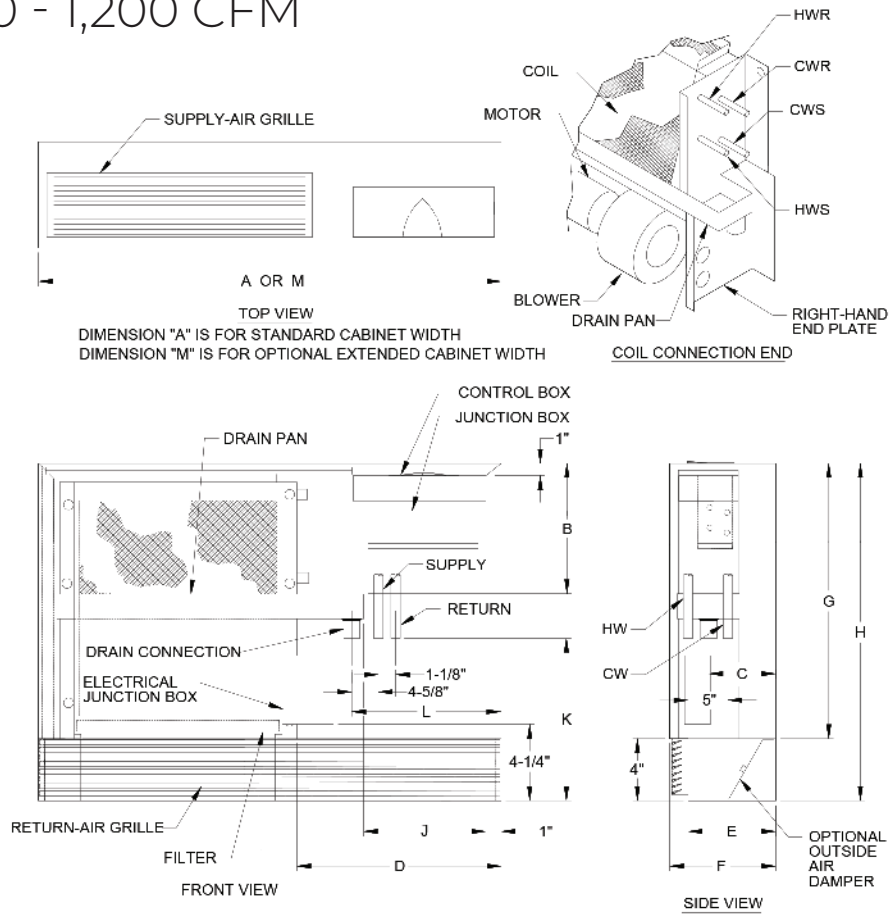


MODEL DELUXE	A	B	C	D	E	F	G	H	J	K	L	M	FILTER SIZE
200	35-1/4	11-3/8	6-3/4	14-1/8	8	11-1/4	22	26	7-7/8	10	9-5/8	40-7/8	10 x 20 x 1
300	35-1/4	11-3/8	6-3/4	14-1/8	8	11-1/4	22	26	7-7/8	10	9-5/8	40-7/8	10 x 20 x 1
400	52-1/8	11-3/8	7	18-1/2	8	11-1/4	22	26	13-7/8	10	15-3/4	57-3/4	10 x 31 x 1
600	52-1/8	11-3/8	7	13-1/4	8	11-1/4	22	26	8-3/4	10	10-1/2	57-3/4	10 x 36 x 1
800	57-3/4	13-5/8	8-1/2	18-1/8	10	12	26	30	13-3/8	11-7/8	15-1/8	63-3/8	11 x 34 x 1
1000	57-3/4	13-5/8	8-1/2	14-1/8	10	12	26	30	9-3/8	11-7/8	11-1/8	63-3/8	11 x 38 x 1
1200	69	13-5/8	8-3/4	21-1/4	10	12	26	30	16-3/4	11-7/8	18-1/2	66	11 X 42 X 1

- All sizes shown in inches.
- Right hand unit shown, left hand unit opposite.
- Coil connections determined by facing the supply air opening.
- Electrical junction box is located on the same side as the coil connections.
- Unit must be installed level and condensate drain lines should be trapped.
- Drain pan is powder coated epoxy with a 1/8" thick Elastomeric insulation and has 3/4" NPT primary and secondary drain connections.
- Entire cabinet, scroll and blower wheel are heavy gauge, galvanized steel.
- Coil connections: 1/2" CW on LV002-006, 3/4" CW on LV008-012 and 1/2" HW on LV002-012.

VERTICAL MODULAR

LV-M 200 - 1,200 CFM

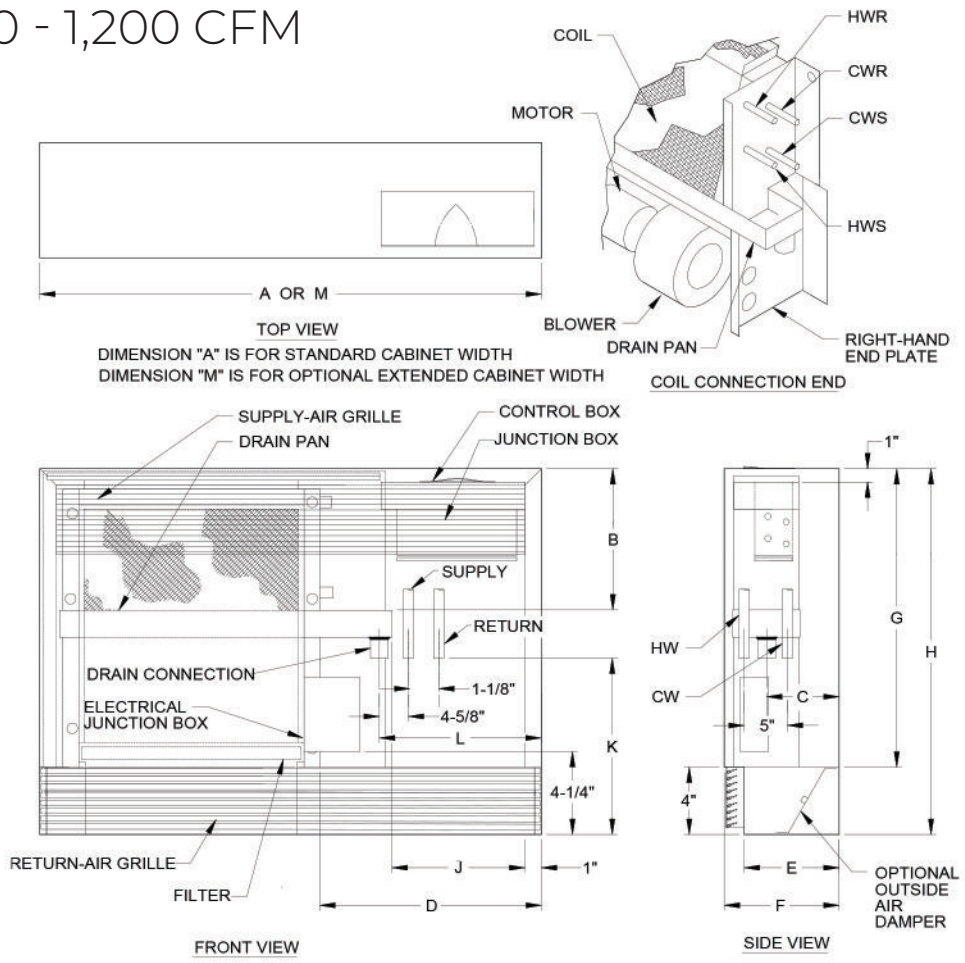


MODEL DELUXE	A	B	C	D	E	F	G	H	J	K	L	M	FILTER SIZE
200	35-1/4	11-1/2	6-1/2	11-1/2	8	11-1/4	22-1/2	26-1/2	7-5/8	10	10	40-7/8	10 x 20 x 1
300	35-1/4	11-1/2	6-1/2	11-1/2	8	11-1/4	22-1/2	26-1/2	7-5/8	10	10	40-7/8	10 x 20 x 1
400	52-1/8	11-1/2	6-1/2	17	8	11-1/4	22-1/2	26-1/2	14-5/16	10	15-1/2	57-3/4	10 x 31 x 1
600	52-1/8	11-1/2	6-1/2	12	8	11-1/4	22-1/2	26-1/2	9-5/16	10	10-1/2	57-3/4	10 x 36 x 1
800	57-3/4	14	8	18-3/4	10	12-1/4	26-1/2	30-1/2	10	12-1/2	11	63-3/8	11 x 34 x 1
1000	57-3/4	14	8	14-1/8	10	12-1/4	26-1/2	30-1/2	9-5/16	12-1/2	11-1/8	63-3/8	11 x 38 x 1
1200	69	14	8	21-3/8	10	12-1/4	26-1/2	30-1/2	16-1/2	12-1/2	19	66	11 X 42 X 1

- All sizes shown in inches.
- Right hand unit shown, left hand unit opposite.
- Coil connections determined by facing the supply air opening.
- Electrical junction box is located on the same side as the coil connections.
- Unit must be installed level and condensate drain lines should be trapped.
- Drain pan is powder-coated epoxy with a 1/8" thick Elastomeric insulation and has 3/4" NPT primary and secondary drain connections.
- Entire cabinet, scroll and blower wheel are heavy gauge, galvanized steel.
- Coil connections: 1/2" CW on LV002-006, 3/4" CW on LV008-012 and 1/2" HW on LV002-012.

VERTICAL FRONT DISCHARGE

LV-F 200 - 1,200 CFM

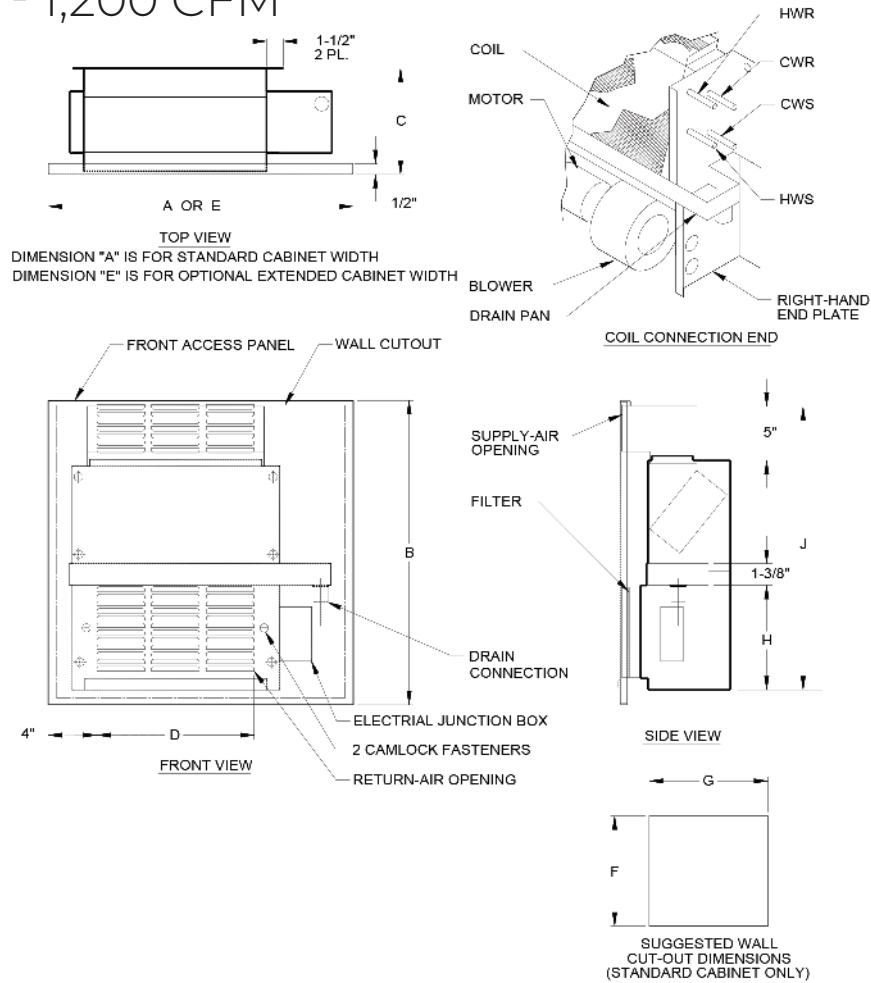


MODEL DELUXE	A	B	C	D	E	F	G	H	J	K	L	M	FILTER SIZE
200	35-1/4	11-1/2	6-1/2	11-1/2	8	11-1/4	22-1/2	26-1/2	7-5/8	10	10	40-7/8	10 x 20 x 1
300	35-1/4	11-1/2	6-1/2	11-1/2	8	11-1/4	22-1/2	26-1/2	7-5/8	10	10	40-7/8	10 x 20 x 1
400	52-1/8	11-1/2	6-1/2	17	8	11-1/4	22-1/2	26-1/2	14-5/16	10	15-1/2	57-3/4	10 x 31 x 1
600	52-1/8	11-1/2	6-1/2	12	8	11-1/4	22-1/2	26-1/2	9-5/16	10	10-1/2	57-3/4	10 x 36 x 1
800	57-3/4	14	8	18-3/4	10	12-1/4	26-1/2	30-1/2	10	12-1/2	11	63-3/8	11 x 34 x 1
1000	57-3/4	14	8	14-1/8	10	12-1/4	26-1/2	30-1/2	9-5/16	12-1/2	11-1/8	63-3/8	11 x 38 x 1
1200	69	14	8	21-3/8	10	12-1/4	26-1/2	30-1/2	16-1/2	12-1/2	19	66	11 X 42 X 1

- All sizes shown in inches.
- Right hand unit shown, left hand unit opposite.
- Coil connections determined by facing the supply air opening.
- Electrical junction box is located on the same side as the coil connections.
- Unit must be installed level and condensate drain lines should be trapped.
- Drain pan is powder coated epoxy with a 1/8" thick Elastomeric insulation and has 3/4" NPT primary and secondary drain connections.
- Entire cabinet, scroll and blower wheel are heavy gauge, galvanized steel.
- Coil connections: 1/2" CW on LV002-006, 3/4" CW on LV008-012 and 1/2" HW on LV002-012.

VERTICAL RECESSED

LV-R 200 - 1,200 CFM

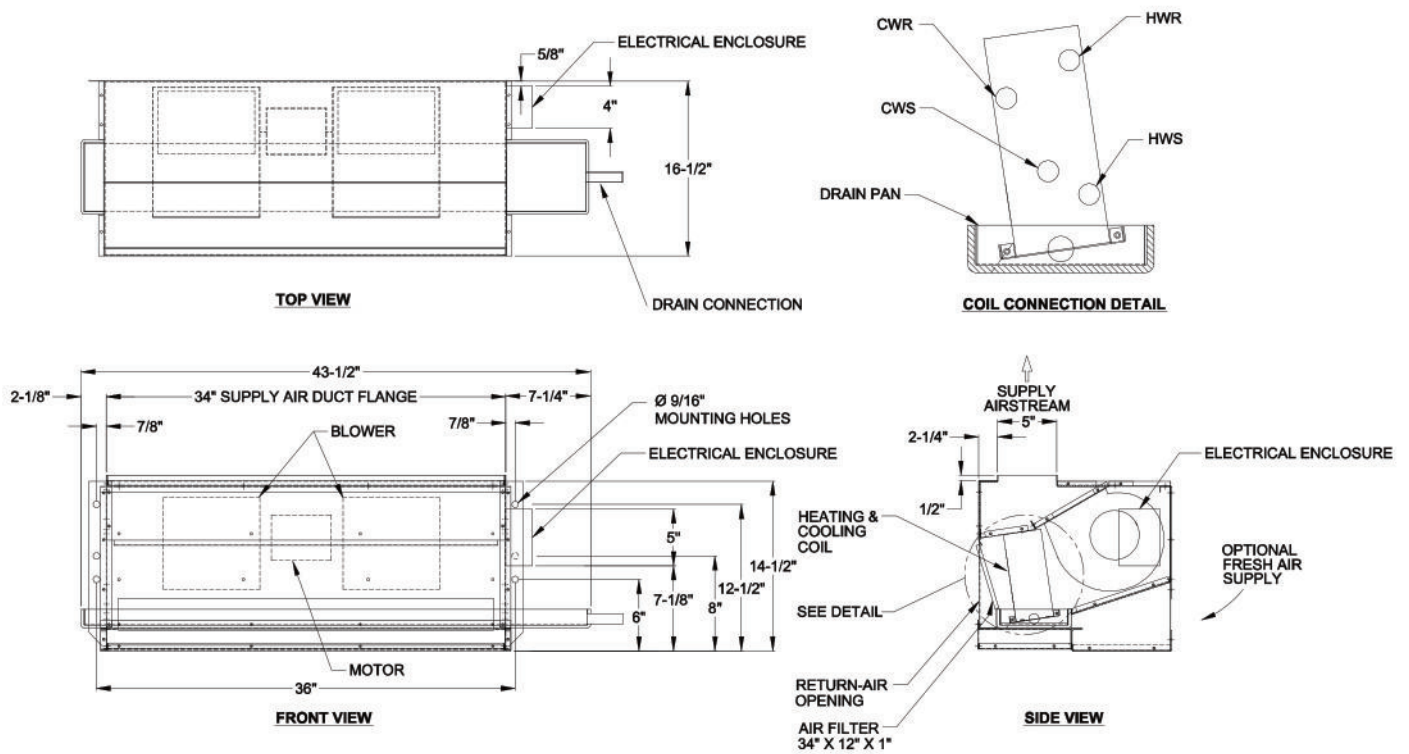


MODEL RECESSED	A	B	C	D	E	F	G	H	J	FILTER SIZE
200	30	30	11-1/2	17-1/8	35	28	28	10-1/4	27	10 x 20 x 1
300	30	30	11-1/2	17-1/8	36	28	28	10-1/4	27	10 x 20 x 1
400	41	30	11-1/2	26-3/4	46	28	39	10-1/4	27	10 x 31 x 1
600	46	30	11-1/2	31-1/4	51	28	44	10-1/4	27	10 x 36 x 1
800	47	33	13	31-1/4	52	31	45	12	30-1/4	11 x 34 x 1
1000	51	33	13	35-3/4	56	31	49	12	30-1/4	11 x 38 x 1
1200	55	33	13	35-1/4	60	31	53	12	30-1/4	11 x 42 x 1

- All sizes shown in inches.
- Right hand unit shown, left hand unit opposite.
- Coil connections determined by facing the supply air opening.
- Electrical junction box is located on the same side as the coil connections.
- Unit must be installed level and condensate drain lines should be trapped.
- Drain pan is powder coated epoxy with a 1/8" thick Elastomeric insulation and has 3/4" NPT primary and secondary drain connections.
- Entire cabinet, scroll and blower wheel are heavy gauge, galvanized steel.
- Coil connections: 1/2" CW on LV002-006, 3/4" CW on LV008-012 and 1/2" HW on LV002-012.

LOW SILHOUETTE VERTICAL BASIC

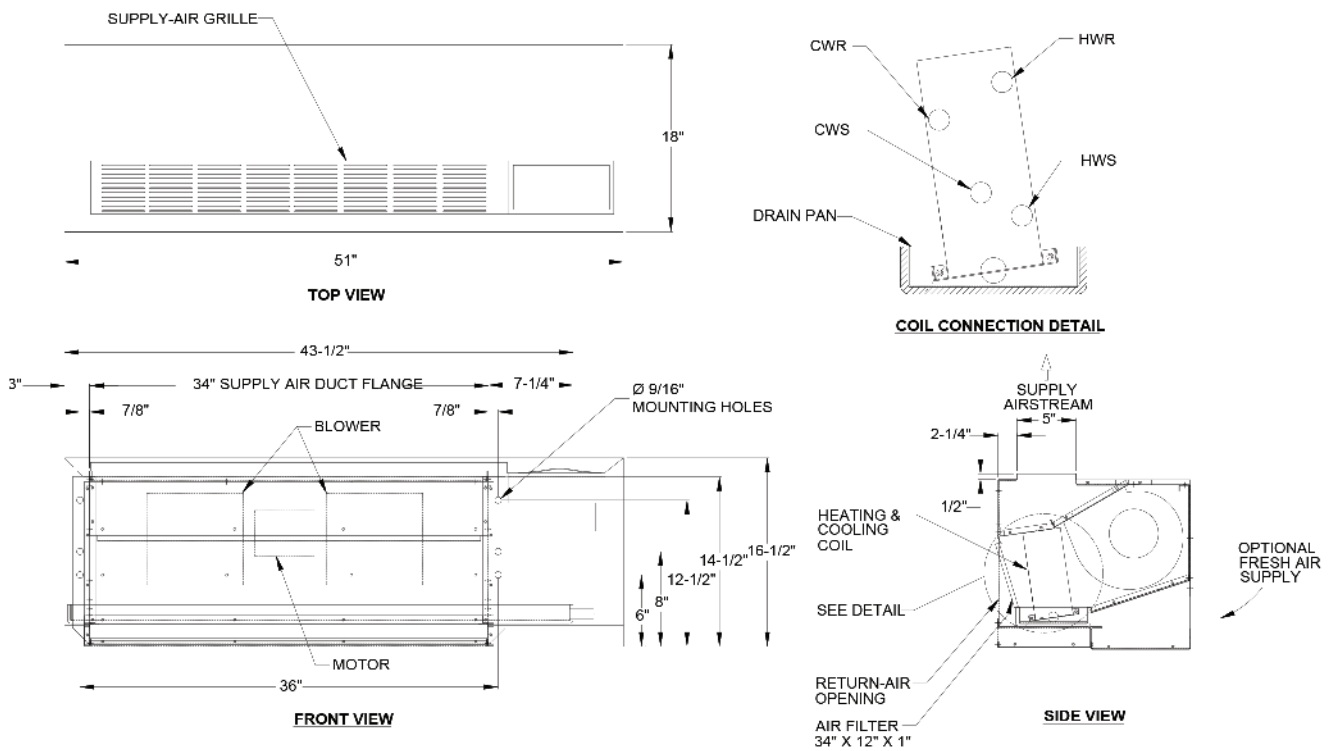
LS-B 400 - 600 CFM



- Right hand unit shown, left hand unit opposite.
- Coil connections determined by facing the supply air opening.
- Electrical junction box is located on the same side as the coil connections.
- Unit must be installed level and condensate drain lines should be trapped.
- Drain pan is powder coated epoxy with a 1/8" thick Elastomeric insulation and has 3/4" NPT primary and secondary drain connections.
- Entire cabinet, scroll and blower wheel are heavy gauge, galvanized steel.
- Coil connections: 1/2" CW and HW on LS004-006.

LOW SILHOUETTE VERTICAL DELUXE TOP DISCHARGE

LS-D 400 - 600 CFM



- Right hand unit shown, left hand unit opposite.
- Coil connections determined by facing the supply air opening.
- Electrical junction box is located on the same side as the coil connections.
- Unit must be installed level and condensate drain lines should be trapped.
- Drain pan is powder-coated epoxy with a 1/8" thick Elastomeric insulation and has 3/4" NPT primary and secondary drain connections.
- Entire cabinet, scroll and blower wheel are heavy gauge, galvanized steel.
- Coil connections: 1/2" CW and HW on LS004-006.

GENERAL INFORMATION

Furnish and install Williams LV & LS Series Vertical Direct Drive Fan Coil Units where indicated on the plans and in the specifications. Units shall be completely factory assembled, tested and shipped as one piece. All units shall be capable of meeting or exceeding the scheduled capacities for cooling, heating and air delivery. All unit dimensions for each model and size shall be considered maximums. Units shall be UL listed and also in compliance with UL/ANSI Standard 1995, and be certified as complying with the latest edition of ARI Standard 440.

CONSTRUCTION

All unit chassis shall be fabricated of heavy gauge galvanized steel panels able to meet 125 hour salt spray test per ASTM B-117. All exterior panels shall be insulated with 1/2" thick, 3.35 pound per cubic foot, dual density fiberglass insulation rated for a maximum air velocity of 3600 f.p.m. Insulation shall conform to UL 181 for erosion and NFPA 90A and 90B for flame spread (25) and smoke developed (50) rating per ASTM E-84 and UL 723 and CAN/ULC, S102-M88.

All exposed units shall have exterior panels fabricated of not less than 18 gauge galvanized steel. The front panel of recessed units shall be attached with quarter turn quick open fasteners to allow for easy removal and access for service.

OPTION: Provide a 16 gauge front panel on exposed units.

Slope Top and recessed units shall include a recessed stamped louver discharge grille.

OPTION: Provide an architectural grade single deflection discharge grille with a powder coated paint finish to match cabinet color.

OPTION: Provide an architectural grade bar discharge grille with a powder coated paint finish to match cabinet color.

OPTION: Provide foil faced insulation in lieu of standard. Foil faced insulation shall meet or exceed the requirements stated above, and in addition, meet ASTM Standards C-665 and C-1136 for biological growth in insulation. Insulation shall be lined with aluminum foil, fiberglass scrim reinforcement, and 30 pound kraft paper laminated together with a flame resistant adhesive. All exposed edges shall be sealed to prevent

any fibers from reaching the air stream.

OPTION: Provide elastomeric closed cell insulation in lieu of standard. Insulation shall conform to UL 181 for erosion and NFPA 90A for fire, smoke and melting, and comply with a 25/50 Flame Spread and Smoke Developed Index per ASTM E-84 or UL 723. Additionally, insulation shall comply with antimicrobial performance rating of 0, no observed growth, per ASTM G-21. Polyethylene insulation is not acceptable.

Unit mounting shall be to the wall through 1/2" holes in four locations in the back of the unit.

PAINTED FINISH

All exposed cabinet exterior panels shall be finished with a soft white powder coated epoxy finish.

SOUND

Units shall have published sound power level data tested in accordance with ARI Standard 350-2000.

FAN / DRAIN PAN ASSEMBLY

Unit fan shall be dynamically balanced, forward curved, DWDI centrifugal type constructed of heavy gauge galvanized steel for corrosion resistance. Motors shall be high efficiency, permanently lubricated sleeve bearing, permanent split-capacitor type with UL and C-UL listed automatic reset thermal overload protection and three separate horsepower taps. Single speed motors are not acceptable.

Condensate drain pans shall be single wall, heavy gauge galvanized steel for corrosion resistance, and extend under the entire coil section. Drain pans shall be of one-piece construction and be positively sloped for condensate removal.

The drain pan shall be externally insulated with a fire retardant, Elastomeric closed cell insulation. The insulation shall carry no more than a 25/50 Flame Spread and Smoke Developed Rating per ASTM E-84 and UL723 and fungi resistant per ASTM G21/C1338, bacteria resistant per ASTM G22 and mold growth per UL 181. The fan/drain pan assembly shall be removed and serviced through the front panel. The entire

assembly shall be able to come out of the unit easily by removing two wing nuts and unplugging the motor.

OPTION: Provide a drain pan constructed entirely of heavy gauge type 304 stainless steel for superior corrosion resistance. Stainless steel drain pans shall be externally insulated and meet or exceed the requirements stated above.

OPTION: Devices used to energize and de-energize (switch) fan speeds must be totally silent. Mercury and/or quiet relays and/or contactors are not acceptable.

COILS

All cooling and heating coils shall optimize rows and fins per inch to meet the specified capacity. Coils shall have seamless copper tubes and shall be mechanically expanded to provide an efficient, permanent bond between the tube and fin.

Fins shall have high efficiency aluminum surface optimized for heat transfer, air pressure drop and carryover.

All coils shall be tested at 350 PSIG air pressure under water, and rated for a maximum 300 PSIG working pressure at 180°F maximum water temperature. Heating coils shall be furnished in the reheat position as standard.

Direct expansion cooling coils shall include a distributor and nozzle.

Steam coils shall be standard single tube steam type suitable for temperatures above 35°F and 15 PSIG maximum working pressure.

All water coils shall be provided with a manual air vent fitting to allow for coil venting.

OPTION: Provide automatic air vents in lieu of manual-air vents.

FILTERS

All units shall be furnished with a minimum 1" nominal glass fiber throwaway filter. Filters shall be tight fitting to prevent air bypass. Filters shall be easily removable from the return-air opening without the need for tools or removal of the front panel.

OPTION: Provide unit with 1" pleated filter (MERV 6).

OPTION: Provide a decorative stamped louver grille in the return air opening.

ELECTRICAL

Units shall be furnished with single point power connection. Provide an electrical junction box for motor and other electrical components, termination or wiring connections in accordance with wiring diagram supplied with the unit.

ELECTRIC HEAT

Furnish an electric resistance heating assembly as an integral part of the fan coil unit, with the heating capacity, voltage and kilowatts scheduled. The heater assembly shall be rated for installation on the fan coil unit and be located so as not to expose the fan assembly to excessive leaving air temperatures that could affect motor performance.

The heater and unit assembly shall be listed for zero clearance and meet all NEC requirements, and be UL listed with the unit as an assembly and also in compliance with UL/ANSI Standard 1995.

All internal wiring shall be rated for 90°C minimum.

All heaters shall include over temperature protection consisting of an automatic reset primary thermal limit and replaceable back up secondary thermal limit. All heaters shall be single stage.

All units shall be provided with an incoming line power distribution block, designated to accept single point power wiring capable of carrying 125% of the calculated load current.

OPTION: Devices used to energize and de-energize (switch) electric heat must be totally silent. Mercury and/or quiet relays and/or contactors are not acceptable.

GENERAL INFORMATION

PIPING PACKAGES

Provide a factory assembled valve piping package to consist of a 2 or 3 way, on/off, motorized electric control valve and two ball isolation valves. Control valves shall be piped normally closed to the coil. Maximum entering water temperature on the control valve shall be 200°F, and maximum operating pressure shall be 300 PSIG.

OPTION: Provide 3-wire floating point modulating control valve (fail in place) in lieu of standard 2 position control valve with factory assembled valve piping package.

OPTION: Provide high pressure close off actuator for 2 way on/off control valve. Maximum close off pressure is 75 PSIG (1/2") or 50 PSIG (3/4").

Piping packages are shipped installed on all units and can be shipped separately by request only.

OUTSIDE AIR DAMPER

Provide a manual or two position motorized outside air damper integral to the unit.

OPTION: Provide an aluminum outside air wall box with louvers and integral bug screen and weep holes for field installation as indicated in catalog.



NOTES



www.williamscomfortprod.com | 888-444-1212 | 250 West Laurel Street, Colton CA 92324 USA

Subject to change without notice | © 2021



In a continuous effort to improve Williams Furnace Company products, the designs and specifications of the products described herein may be changed by Williams Furnace Company without notice. Because the designs and specifications may not be as described herein, you should always contact Williams Furnace Company for the most current design and specification information for Williams Furnace Company products. The designs and specifications provided herein are the opinions of Williams Furnace Company and are not to be considered as any express warranty. The designs and specifications are provided "as is" with no warranties whatsoever, including any warranty of merchantability, fitness for any particular purpose, or any warranty otherwise arising out of any proposal, specification or sample. Without limitation, Williams Furnace Company disclaims all liability for cost of procurement of substitute goods, lost profits, loss of use, or any incidental, consequential, direct, indirect, or special damages, whether under contract, tort, warranty, or otherwise, arising in any way out of the use or reliance upon these designs or specifications or any information provided herein.

L6000 RV 01/21