



Air Conditioning & Heating

# GR9T80 / GD9T80

HEATING INPUT: 40,000–120,000 BTU/H

TWO-STAGE, 9-SPEED ECM  
GAS FURNACE  
80% AFUE



### Contents

Nomenclature.....	2
Product Specifications.....	3
Dimensions .....	5
Airflow Data .....	7
Wiring Diagram .....	16
Accessories .....	17

## R32

### Standard Features

- Two-stage gas valve provides quiet, economical heating
- Efficient and quiet multi-speed ECM circulator motor
- SureStart® Silicon Nitride igniter designed for long igniter life
- Self-diagnostic control board
- Low constant fan speed circulates air throughout the home
- Quiet, two-speed induced draft blower
- California Low NOx emissions-compliant models available
- Can not be installed in California’s South Coast AirQuality Management District (SCAQMD) and San Joaquin Valley Air Pollution Control District (SJVAPCD).
- AHRI Certified; ETL Listed

### Cabinet Features

- Fully insulated, heavy-gauge steel cabinet with durable baked-enamel finish
- Multi-position installation:  
GR9T80: upflow, horizontal left or right  
GD9T80: downflow, horizontal left or right
- Removable bottom for side- or bottom-return applications
- Convenient left or right connection for gas/electric service
- Cabinet air leakage ≤ 2%
- Coil and furnace fit flush for most installations

LIFETIME  
HEAT EXCHANGER  
LIMITED WARRANTY\*

10 YEAR  
REPLACEMENT  
LIMITED  
WARRANTY\*

10 YEAR  
PARTS  
LIMITED  
WARRANTY



COMPANY WITH  
QUALITY SYSTEM  
CERTIFIED BY DNV GL  
■ ISO 9001 ■

COMPANY WITH  
ENVIRONMENTAL SYSTEM  
CERTIFIED BY DNV GL  
■ ISO 14001 ■



\* Complete warranty details available from your local dealer or at [www.goodmanmfg.com](http://www.goodmanmfg.com). To receive the Lifetime Heat Exchanger Limited Warranty (good for as long as you own your home), 10-Year Unit Replacement Limited Warranty and 10-Year Parts Limited Warranty, online registration must be completed within 60 days of installation. Online registration is not required in California or Québec. The duration of warranty coverage in Texas and Florida differs in some cases.

**NOMENCLATURE**

	<b>G</b>	<b>R</b>	<b>9</b>	<b>T</b>	<b>80</b>	<b>040</b>	<b>4</b>	<b>C</b>	<b>*</b>	<b>**</b>	
	1	2	3	4	5,6	7,8,9	10	11	12	13,14	
<b>BRAND</b> G - Goodman® Brand											<b>ENGINEERING</b> Major/Minor Revisions A - Initial Release B - 1st Revision
<b>CONFIGURATION</b> R - Upflow/Horizontal D - Downflow/Horizontal											<b>NOx</b> N = > 40 NG/J NOx X = < 40 NG/J NOx
<b>MOTOR</b> 9 - Nine Speed ECM											<b>CABINET WIDTH</b> A - 14"    C - 21" B - 17½"    D - 24½"
<b>GAS VALVE</b> T - 2 Stage											<b>MAXIMUM CFM</b> 3 - 1200 CFM    4 - 1600 CFM 5 - 2000 CFM
<b>AFUE</b> 80 - 80% AFUE    92 - 92% AFUE 96 - 96% AFUE    97 - 97% AFUE											<b>MBTU/h</b> 030 - 30,000 BTU/h    080 - 80,000 BTU/h 040 - 40,000 BTU/h    100 - 100,000 BTU/h 060 - 60,000 BTU/h    120 - 120,000 BTU/h

	GR9T80 0403AN	GR9T80 0603A*	GR9T80 0603B*	GR9T80 0803B*	GR9T80 0804B*	GR9T80 0804C*	GR9T80 0805C*	GR9T80 0805DX	GR9T80 1004CN	GR9T80 1005C*	GR9T80 1205DN
<b>HEATING CAPACITY</b>											
High Fire Input (BTU/h) <sup>1</sup>	40,000	60,000	60,000	80,000	80,000	80,000	80,000	80,000	100,000	100,000	120,000
High Fire Output (BTU/h) <sup>1</sup> :											
Natural Gas	32,000	48,000	48,000	64,000	64,000	64,000	64,000	64,000	80,000	80,000	96,000
LP Gas	32,000	48,000	48,000	64,000	64,000	64,000	64,000	64,000	80,000	80,000	96,000
Low Fire Input (BTU/h) <sup>1</sup>	28,000	42,000	42,000	56,000	56,000	56,000	56,000	56,000	70,000	70,000	84,000
Low Fire Output (BTU/h) <sup>1</sup> :											
Natural Gas	22,400	33,600	33,600	44,800	44,800	44,800	44,800	44,800	56,000	56,000	67,200
LP Gas	22,400	33,600	33,600	44,800	44,800	44,800	44,800	44,800	56,000	56,000	67,200
AFUE <sup>2</sup>	80	80	80	80	80	80	80	80	80	80	80
Available AC @ 0.5" ESP	1.5 - 3.0	1.5 - 3.0	1.5 - 3.0	3.0 - 4.0	2.0 - 5.0	2.5 - 5.0	2.5 - 5.0	2.5 - 5.0	2.0 - 5.0	2.0 - 5.0	2.0 - 5.0
Temperature Rise Range (° F)	15-45 / 15-45	20-50 / 20-50	15-45 / 15-45	30-60 / 30-60	30-60 / 30-60	25-55 / 25-55	25-55 / 25-55	20-50 / 20-50	25-55 / 25-55	25-55 / 25-55	40-70 / 40-70
<b>CIRCULATOR BLOWER</b>											
Size (D x W)	10" x 6"	10" x 6"	10" x 8"	10" x 8"	10" x 10"	10" x 10"	10" x 10"	11" x 10"	10" x 10"	10" x 10"	10" x 10"
Horsepower - RPM	1/2	1/2	1/2	1/2	3/4	3/4	1	1	3/4	1	1
No. of Burners	3	3	3	4	4	4	4	4	5	5	6
<b>ELECTRICAL DATA</b>											
Min. Circuit Ampacity <sup>3</sup>	7.7	7.7	7.7	7.7	11.3	11.3	14.3	14.3	11.3	14.3	14.3
Max. Overcurrent Device (amps) <sup>4</sup>	15	15	15	15	20	20	25	25	20	25	25
<b>SHIP WEIGHT (LBS)</b>											
	105	107	107	118	121	129	129	129	124	124	124

<sup>1</sup> Natural Gas BTU/h; for altitudes 0-4500' above sea level, reduce input rating by 4% for each 1000' above 4500' altitude.

<sup>2</sup> DOE AFUE based upon Isolated Combustion System (ICS)

<sup>3</sup> Minimum Circuit Ampacity = (1.25 x Circulator Blower Amps) + ID Blower amps. Wire size should be determined in accordance with National Electrical Codes. Extensive wire runs will require larger wire sizes.

<sup>4</sup> Maximum Overcurrent Protection Device refers to maximum recommended fuse or circuit breaker size. May use fuses or HACR-type circuit breakers of the same size as noted.

#### NOTES

- All furnaces are manufactured for use on 115 VAC, 60 Hz, single-phase electrical supply.
- Gas Service Connection ½" FPT
- Important: Size fuses and wires properly and make electrical connections in accordance with the National Electrical Code and/or all existing local codes.

GD9T80 - PRODUCT SPECIFICATIONS

	GD9T80 0403AX	GD9T80 0603AX	GD9T80 0603BX	GD9T80 0804BX	GD9T80 0805CX	GD9T80 1005CX
<b>HEATING CAPACITY</b>						
High Fire Input (BTU/h) <sup>1</sup>	40,000	60,000	60,000	80,000	80,000	100,000
High Fire Output (BTU/h) <sup>1</sup>						
Natural Gas	32,000	48,000	48,000	64,000	64,000	80,000
LP Gas	32,000	48,000	48,000	64,000	64,000	80,000
Low Fire Input (BTU/h) <sup>1</sup>	28,000	42,000	42,000	56,000	56,000	70,000
Low Fire Output (BTU/h) <sup>1</sup>						
Natural Gas	22,400	33,600	33,600	44,800	44,800	56,000
LP Gas	22,400	33,600	33,600	44,800	44,800	56,000
AFUE <sup>2</sup>	80	80	80	80	80	80
Available AC @ 0.5" ESP	1.5 - 3.0	1.5 - 4.0	1.5 - 4.0	2.0 - 5.0	2.5 - 5.0	2.0 - 5.0
Temperature Rise Range (° F)	15-45 / 15-45	25-55 / 25-55	25-55 / 25-55	30-60 / 30-60	30-60 / 30-60	20-50 / 20-50
<b>CIRCULATOR BLOWER</b>						
Size (D x W)	10" x 6"	10" x 6"	10" x 8"	10" x 8"	10" x 10"	10" x 10"
Horsepower - RPM	1/2	1/2	1/2	3/4	1	1
No. of Burners	3	3	3	4	4	5
<b>ELECTRICAL DATA</b>						
Min. Circuit Ampacity <sup>3</sup>	7.7	7.7	7.7	11.3	14.3	14.3
Max. Overcurrent Device (amps) <sup>4</sup>	15	15	15	20	25	25
<b>SHIP WEIGHT (LBS)</b>	105	107	107	121	129	131

<sup>1</sup> Natural Gas BTU/h; for altitudes 0-4500' above sea level, reduce input rating by 4% for each 1000' above 4500' altitude.

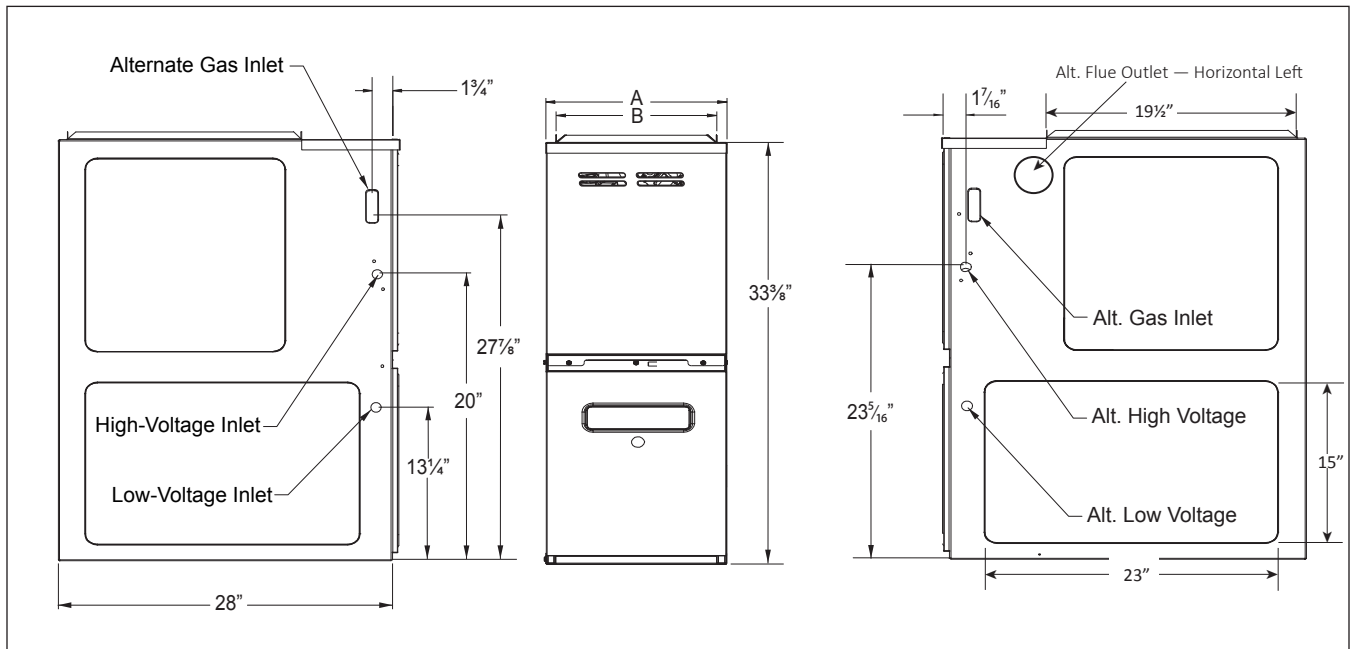
<sup>2</sup> DOE AFUE based upon Isolated Combustion System (ICS)

<sup>3</sup> Minimum Circuit Ampacity = (1.25 x Circulator Blower Amps) + ID Blower amps. Wire size should be determined in accordance with National Electrical Codes. Extensive wire runs will require larger wire sizes.

<sup>4</sup> Maximum Overcurrent Protection Device refers to maximum recommended fuse or circuit breaker size. May use fuses or HACR-type circuit breakers of the same size as noted.

**NOTES**

- All furnaces are manufactured for use on 115 VAC, 60 Hz, single-phase electrical supply.
- Gas Service Connection ½" FPT
- Important: Size fuses and wires properly and make electrical connections in accordance with the National Electrical Code and/or all existing local codes.



MODEL	DIMENSIONS	
	A	B
GR9T800403A*	14"	12 1/2"
GR9T800603A*	14"	12 1/2"
GR9T800603B*	17 1/2"	16"
GR9T800803B*	17 1/2"	16"
GR9T800804B*	17 1/2"	16"
GR9T800804C*	21"	19 1/2"
GR9T800805C*	21"	19 1/2"
GR9T800805DX	24 1/2"	23
GR9T801004CN	21"	19 1/2"
GR9T801005C*	21"	19 1/2"
GR9T801205DN	24 1/2"	23

**MINIMUM CLEARANCES TO COMBUSTIBLE MATERIALS**

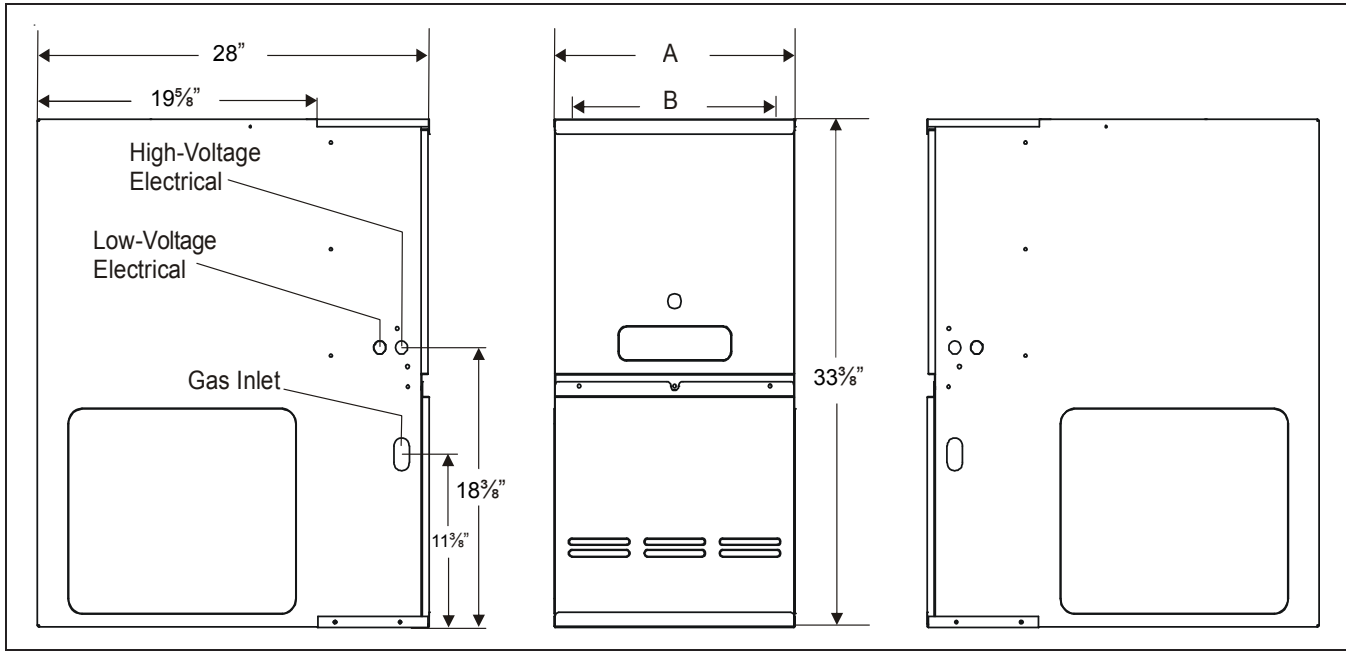
SIDES	REAR	FRONT	BOTTOM	VENT		TOP
				SW	B	
1	0	3	C	6	1	1

C = If placed on combustible floor, the floor MUST be wood ONLY.

**NOTES:**

- For servicing or cleaning, a 24" front clearance is recommended.
- Unit connections (electrical, flue, and drain) may necessitate greater clearances than the minimum clearances listed above.
- In all cases, accessibility clearance must take precedence over clearances from the enclosure where accessibility clearances are greater.
- Refer to the appropriate USA and Canadian codes:
  - In the USA: the National Fuel Gas Code NFPA 54 / ANSI Z223.1
  - In Canada: the Canada National Standard of Canada, CAN/CSA B149.1 and CAN/CSA B142.2

**GD9T80 DIMENSIONS**



MODEL	DIMENSIONS	
	W	H
GD9T800403AX	14"	12½"
GD9T800603AX	14"	12½"
GD9T800603BX	17½"	16"
GD9T800804BX	17½"	16"
GD9T800805CX	21"	19½"
GD9T801005CX	21"	19½"

**MINIMUM CLEARANCES TO COMBUSTIBLE MATERIALS**

SIDES	REAR	FRONT	BOTTOM	VENT		TOP
				SW	B	
1	0	3	C	6	1	1

C = If placed on combustible floor, the floor MUST be wood ONLY.

**NOTES:**

- For servicing or cleaning, a 24" front clearance is recommended.
- Unit connections (electrical, flue, and drain) may necessitate greater clearances than the minimum clearances listed above.
- In all cases, accessibility clearance must take precedence over clearances from the enclosure where accessibility clearances are greater.
- Refer to the appropriate USA and Canadian codes:
  - In the USA: the National Fuel Gas Code NFPA 54 / ANSI Z223.1
  - In Canada: the Canada National Standard of Canada, CAN/CSA B149.1 and CAN/CSA B142.2

MODEL	THERMOSTAT CALL	TAP #	EXTERNAL STATIC PRESSURE (INCHES WATER COLUMN)											
			0.1	0.2	0.3	0.4	0.5		0.6		0.7		0.8	
			CFM	CFM	CFM	CFM	CFM	WATTS	CFM	WATTS	CFM	WATTS	CFM	WATTS
GR9T80 0403A*	Y/Y1, Y2, G	F01	749	697	652	607	554	102	509	108	459	113	406	120
		F02	1130	1090	1059	1022	991	230	957	237	926	246	895	255
		F03	584	553	501	447	395	75	335	81	N/A	N/A	N/A	N/A
		F04^	882	841	800	760	719	138	678	144	641	151	602	157
		F05	1158	1113	1090	1057	1024	247	996	258	964	264	935	271
		F06	925	881	840	800	760	150	721	157	681	162	645	169
		F07	1270	1235	1208	1179	1147	304	1119	312	1088	322	1060	329
		F08	1330	1295	1273	1251	1223	358	1195	366	1168	375	1142	385
		F09	1417	1380	1359	1336	1314	408	1288	419	1261	430	1238	440
GR9T80 0603A*	Y/Y1, Y2, G	F01	880	837	794	756	717	149	678	156	641	162	602	169
		F02	1268	1221	1188	1154	1122	336	1091	344	1060	353	1029	361
		F03	659	599	542	490	437	89	383	95	320	102	N/A	N/A
		F04^	1026	982	943	906	869	209	834	217	799	224	765	230
		F05	1308	1262	1224	1197	1167	332	1141	341	1117	352	1089	361
		F06	1118	1070	1033	997	963	243	929	251	896	260	865	267
		F07	1087	1044	1008	973	938	234	905	242	871	249	841	257
		F08	1382	1341	1311	1291	1263	435	1234	443	1206	453	1177	464
		F09	1492	1448	1409	1381	1354	460	1332	470	1310	481	1288	491
GR9T80 0603B*	Y/Y1, Y2, G	F01	1125	1089	1052	1013	973	184	947	196	909	202	863	213
		F02	1413	1386	1360	1330	1302	317	1270	333	1242	345	1211	354
		F03	720	660	614	542	468	81	413	87	359	94	313	99
		F04^	1146	1113	1076	1039	1002	192	969	204	933	212	891	222
		F05	1370	1345	1317	1286	1260	299	1224	313	1187	320	1168	333
		F06	922	872	830	786	736	122	683	130	616	139	565	146
		F07	1252	1198	1153	1110	1069	230	1028	239	990	247	953	256
		F08	1289	1260	1232	1194	1161	257	1125	266	1087	275	1073	286
		F09	1544	1500	1459	1419	1387	379	1349	390	1317	402	1286	405
GR9T80 0803B*	Y/Y1, Y2, G	F01	1036	985	940	895	848	150	799	158	751	167	705	175
		F02	1391	1352	1314	1278	1241	288	1209	298	1175	311	1140	319
		F03	710	646	580	515	432	79	367	85	314	90	274	95
		F04^	1138	1091	1045	1001	959	181	920	188	876	197	832	208
		F05	1209	1166	1124	1083	1045	208	1005	217	964	227	923	236
		F06	977	931	880	836	785	135	734	142	683	151	626	158
		F07	1298	1255	1216	1178	1140	319	1102	253	1067	263	1028	273
		F08	1456	1414	1376	1341	1302	315	1270	327	1238	337	1200	352
		F09	1533	1488	1452	1415	1383	360	1350	370	1317	381	1286	393

See notes on page 9

GR9T80 FAN & COOLING AIRFLOW DATA (CONT.)

MODEL	THERMOSTAT CALL	TAP #	EXTERNAL STATIC PRESSURE (INCHES WATER COLUMN)											
			0.1	0.2	0.3	0.4	0.5		0.6		0.7		0.8	
			CFM	CFM	CFM	CFM	CFM	WATTS	CFM	WATTS	CFM	WATTS	CFM	WATTS
GR9T80 0804B*	Y/Y1, Y2, G	F01	1104	1056	1010	968	925	180	880	186	831	196	784	206
		F02	1395	1347	1309	1270	1233	291	1199	302	1164	312	1125	323
		F03	841	657	595	522	439	90	367	97	N/A	N/A	N/A	N/A
		F04^	1311	1267	1226	1189	1150	253	1114	264	1072	275	1034	283
		F05	1490	1447	1407	1373	1336	339	1303	351	1269	360	1237	373
		F06	1553	1510	1469	1435	1401	372	1368	384	1335	395	1300	408
		F07	1776	1735	1695	1661	1628	514	1601	529	1570	542	1542	555
		F08	1593	1548	1508	1474	1440	392	1409	405	1376	415	1343	429
		F09	1853	1812	1773	1739	1708	569	1679	585	1650	599	1623	614
GR9T80 0804C*	Y/Y1, Y2, G	F01	1214	1158	1103	1045	989	184	936	194	883	205	823	215
		F02	1518	1465	1418	1372	1328	293	1284	305	1237	318	1195	330
		F03	831	750	671	588	501	98	405	106	348	112	300	117
		F04^	1303	1249	1191	1136	1081	212	1028	223	974	234	928	248
		F05	1588	1539	1494	1447	1401	330	1358	349	1313	360	1267	373
		F06	1426	1375	1324	1277	1229	259	1177	270	1124	283	1078	295
		F07	1785	1751	1717	1675	1639	446	1596	453	1557	472	1516	483
		F08	1710	1666	1632	1595	1554	397	1512	412	1473	427	1431	440
		F09	1845	1805	1771	1733	1695	476	1655	488	1618	507	1576	521
GR9T80 0805C*	Y/Y1, Y2, G	F01	1420	1359	1301	1254	1206	255	1152	266	1100	277	1044	287
		F02	1825	1769	1718	1673	1629	444	1584	456	1540	474	1497	487
		F03	826	744	661	573	485	99	399	107	339	113	N/A	N/A
		F04^	1623	1567	1516	1468	1423	337	1374	349	1328	360	1281	373
		F05	1697	1644	1596	1551	1505	380	1457	393	1413	406	1367	416
		F06	1741	1686	1639	1592	1550	397	1504	410	1462	426	1417	437
		F07	1906	1855	1809	1763	1722	496	1682	514	1641	529	1597	544
		F08	1966	1914	1869	1825	1782	538	1745	555	1703	569	1660	585
		F09	2201	2152	2107	2073	2034	721	1996	738	1962	757	1925	776
GR9T80 0805D*	Y/Y1, Y2, G	F01	1175	1109	1044	977	905	154	830	164	750	173	681	180
		F02	1828	1778	1731	1687	1643	381	1597	395	1556	407	1512	417
		F03	972	899	822	741	659	110	574	120	503	125	438	133
		F04^	1401	1338	1290	1234	1179	218	1126	230	1073	240	1014	251
		F05	1627	1574	1526	1479	1428	296	1370	307	1326	318	1285	331
		F06	1863	1810	1772	1726	1683	400	1638	412	1596	425	1547	439
		F07	1920	1873	1835	1795	1751	436	1704	450	1673	463	1633	479
		F08	2026	1980	1932	1894	1852	483	1816	499	1777	514	1737	527
		F09	2183	2140	2095	2057	2020	595	1978	612	1947	624	1917	647
GR9T80 1004C*	Y/Y1, Y2, G	F01	1405	1356	1308	1262	1210	241	1155	252	1102	264	1057	276
		F02	1846	1807	1762	1731	1685	467	1646	482	1615	500	1574	512
		F03	802	724	637	551	468	87	389	95	342	100	294	106
		F04^	1260	1207	1156	1103	1037	191	982	202	932	211	878	220
		F05	1811	1769	1730	1686	1649	443	1610	456	1572	468	1525	482
		F06	1541	1487	1440	1395	1353	297	1310	307	1251	316	1203	333
		F07	1587	1545	1494	1451	1409	322	1367	334	1316	344	1266	361
		F08	1703	1659	1613	1579	1537	383	1495	394	1451	407	1401	421
		F09	1892	1850	1805	1774	1735	496	1692	511	1658	523	1621	537

See notes on page 9



MODEL	THERMOSTAT CALL	TAP #	EXTERNAL STATIC PRESSURE (INCHES WATER COLUMN)											
			0.1	0.2	0.3	0.4	0.5		0.6		0.7		0.8	
			CFM	CFM	CFM	CFM	CFM	WATTS	CFM	WATTS	CFM	WATTS	CFM	WATTS
GR9T80 1005C*	Y/Y1, Y2, G	F01	1589	1539	1498	1459	1417	310	1377	325	1334	337	1293	351
		F02	2153	2119	2073	2044	2003	664	1971	678	1939	700	1907	717
		F03	1034	745	642	550	462	89	374	95	329	100	287	105
		F04^	1579	1525	1483	1443	1400	308	1358	318	1313	331	1260	339
		F05	1891	1843	1804	1767	1730	480	1698	497	1660	511	1626	529
		F06	1824	1784	1739	1700	1667	429	1624	443	1592	461	1555	472
		F07	1731	1677	1637	1600	1556	383	1518	393	1474	405	1439	424
		F08	1944	1901	1864	1823	1786	511	1748	534	1719	550	1680	558
		F09	2219	2175	2134	2106	2071	709	2039	719	2008	749	1982	766
GR9T80 1205D*	Y/Y1, Y2, G	F01	1355	1301	1249	1196	1142	248	1078	259	1023	269	970	280
		F02	1806	1764	1729	1688	1654	489	1615	503	1578	519	1535	535
		F03	851	774	692	615	535	105	470	111	411	118	359	124
		F04^	1154	1098	1043	983	932	177	874	187	819	196	755	205
		F05	1712	1660	1614	1580	1540	422	1501	434	1461	446	1417	458
		F06	1617	1568	1525	1481	1439	374	1402	388	1354	401	1309	413
		F07	1869	1816	1773	1731	1693	521	1661	535	1629	548	1589	560
		F08	1947	1903	1865	1833	1802	604	1769	621	1743	640	1708	654
		F09	2107	2066	2030	1996	1963	734	1932	753	1899	772	1867	788

**NOTE:**

^ Default Speed

RECOMMENDED AIRFLOW SPEEDS FOR CONNECTION WITH 2 STAGE OUTDOOR MODELS		
FURNACEMODEL	Y2	Y1
GR9T800805D*	F02	F01
GR9T801205D*	F08	F01

GR9T80 HEATING AIRFLOW DATA

HEATING AIFLOW															
MODEL	THERMOSTAT CALL	TAP #	EXTERNAL STATIC PRESSURE, (INCHES WATER COLUMN)												
			0.1		0.2		0.3		0.4		0.5		0.6	0.7	0.8
			CFM	RISE	CFM	RISE	CFM	RISE	CFM	RISE	CFM	RISE	CFM	CFM	CFM
GR9T80 0403A*	W/W1	F01^	749	28	697	30	652	32	607	34	554	37	509	459	406
		F03^^	584	N/A	553	N/A	501	N/A	447	N/A	395	N/A	335	N/A	N/A
		F04	882	24	841	25	800	26	760	27	719	29	678	641	602
	W2	F02^	1130	26	1090	27	1059	28	1022	29	991	30	957	926	895
		F04	882	34	841	35	800	37	760	39	719	41	678	641	602
		F05	1158	26	1113	27	1090	27	1057	28	1024	29	996	964	935
GR9T80 0603A*	W/W1	F01^	880	35	837	37	794	39	756	41	717	43	678	641	602
		F03^^	659	N/A	599	N/A	542	N/A	490	N/A	437	N/A	383	320	N/A
		F04	1026	30	982	32	943	33	906	34	869	36	834	799	765
	W2	F02^	1268	35	1221	36	1188	37	1154	38	1122	40	1091	1060	1029
		F04^^	1026	N/A	982	N/A	943	N/A	906	N/A	869	N/A	834	799	765
		F05	1308	34	1262	35	1224	36	1197	37	1167	38	1141	1117	1089
GR9T80 0603B*	W/W1	F01^	1125	28	1089	29	1052	30	1013	31	973	32	947	909	863
		F03^^	720	N/A	660	N/A	614	N/A	542	N/A	468	N/A	413	359	313
		F04	1146	27	1113	28	1076	29	1039	30	1002	31	969	933	891
	W2	F02^	1413	31	1386	32	1360	33	1330	33	1302	34	1270	1242	1211
		F04	1146	39	1113	40	1076	41	1039	43	1002	44	969	933	891
		F05	1370	32	1345	33	1317	34	1286	35	1260	35	1224	1187	1168
GR9T80 0803B*	W/W1	F01^	1036	40	985	42	940	44	895	46	848	49	799	751	705
		F03^^	710	N/A	646	N/A	580	N/A	515	N/A	432	N/A	367	314	274
		F04	1138	36	1091	38	1045	40	1001	41	959	43	920	876	832
	W2	F02^	1391	43	1352	44	1314	45	1278	46	1241	48	1209	1175	1140
		F04^^	1138	N/A	1091	N/A	1045	N/A	1001	N/A	959	N/A	920	876	832
		F05	1209	49	1166	51	1124	53	1083	55	1045	57	1005	964	923
GR9T80 0804B*	W/W1	F01^	1104	38	1056	39	1010	41	968	43	925	45	880	831	784
		F03^^	841	N/A	657	N/A	595	N/A	522	N/A	439	N/A	367	315	N/A
		F04	1311	32	1267	33	1226	34	1189	35	1150	36	1114	1072	1034
	W2	F02^	1395	42	1347	44	1309	45	1270	47	1233	48	1199	1164	1125
		F04	1311	45	1267	47	1226	48	1189	50	1150	52	1114	1072	1034
		F05	1490	40	1447	41	1407	42	1373	43	1336	44	1303	1269	1237
GR9T80 0804C*	W/W1	F01^	1214	34	1158	36	1103	38	1045	40	989	42	936	883	823
		F03^^	831	N/A	750	N/A	671	N/A	588	N/A	501	N/A	405	348	300
		F04	1303	32	1249	33	1191	35	1136	37	1081	38	1028	974	928
	W2	F02^	1518	39	1465	40	1418	42	1372	43	1328	45	1284	1237	1195
		F04	1303	45	1249	47	1191	50	1136	52	1081	55	1028	974	928
		F05	1588	37	1539	39	1494	40	1447	41	1401	42	1358	1313	1267

Note: ^ DEFAULT SPEED  
^^NOT RECOMMENDED FOR HEATING

HEATING AIRFLOW															
MODEL	THERMOSTAT CALL	TAP #	EXTERNAL STATIC PRESSURE, (INCHES WATER COLUMN)												
			0.1		0.2		0.3		0.4		0.5		0.6	0.7	0.8
			CFM	RISE	CFM	RISE	CFM	RISE	CFM	RISE	CFM	RISE	CFM	CFM	CFM
GR9T80 0805C*	W/W1	F01^	1420	29	1359	31	1301	32	1254	33	1206	34	1152	1100	1044
		F03^^	826	N/A	744	N/A	661	N/A	573	N/A	485	N/A	399	339	N/A
		F04^^	1623	N/A	1567	N/A	1516	N/A	1468	N/A	1423	N/A	1374	1328	1281
	W2	F02^	1825	32	1769	33	1718	34	1673	35	1629	36	1584	1540	1497
		F04	1623	37	1567	38	1516	39	1468	40	1423	42	1374	1328	1281
		F05	1697	35	1644	36	1596	37	1551	38	1505	39	1457	1413	1367
GR9T80 0805D*	W/W1	F01^	1175	35	1109	37	1044	40	977	42	905	46	830	750	681
		F03^^	972	N/A	899	N/A	822	N/A	741	N/A	659	N/A	574	503	438
		F04	1401	30	1338	31	1290	32	1234	34	1179	35	1126	1073	1014
	W2	F02^	1828	32	1778	33	1731	34	1687	35	1643	36	1597	1556	1512
		F04	1401	42	1338	44	1290	46	1234	48	1179	50	1126	1073	1014
		F05	1627	36	1574	38	1526	39	1479	40	1428	41	1370	1326	1285
GR9T80 1004C*	W/W1	F01^	1405	37	1356	38	1308	40	1262	41	1210	43	1155	1102	1057
		F03^^	802	N/A	724	N/A	637	N/A	551	N/A	468	N/A	389	342	294
		F04	1260	41	1207	43	1156	45	1103	47	1037	50	982	932	878
	W2	F02^	1846	40	1807	41	1762	42	1731	43	1685	44	1646	1615	1574
		F04^^	1260	N/A	1207	N/A	1156	N/A	1103	N/A	1037	N/A	982	932	878
		F05	1811	41	1769	42	1730	43	1686	44	1649	45	1610	1572	1525
GR9T80 1005C*	W/W1	F01^	1589	33	1539	34	1498	35	1459	36	1417	37	1377	1334	1293
		F03^^	1034	N/A	745	N/A	642	N/A	550	N/A	462	N/A	374	329	287
		F04	1579	33	1525	34	1483	35	1443	36	1400	37	1358	1313	1260
	W2	F02^	2153	34	2119	35	2073	36	2044	36	2003	37	1971	1939	1907
		F04	1579	47	1525	49	1483	50	1443	51	1400	53	1358	1313	1260
		F05	1891	39	1843	40	1804	41	1767	42	1730	43	1698	1660	1626
GR9T80 1205D*	W/W1	F01^	1355	46	1301	48	1249	50	1196	52	1142	54	1078	1023	970
		F03^^	851	N/A	774	N/A	692	N/A	615	N/A	535	N/A	470	411	359
		F04	1154	54	1098	57	1043	60	983	63	932	67	874	819	755
	W2	F02^	1806	49	1764	50	1729	51	1688	53	1654	54	1615	1578	1535
		F04^^	1154	N/A	1098	N/A	1043	N/A	983	N/A	932	N/A	874	819	755
		F05	1712	52	1660	54	1614	55	1580	56	1540	58	1501	1461	1417

Note: ^ DEFAULT SPEED  
 ^^NOT RECOMMENDED FOR HEATING

GD9T80 FAN & COOLING AIRFLOW DATA

MODEL	THERMOSTAT CALL	TAP #	EXTERNAL STATIC PRESSURE (INCHES WATER COLUMN)											
			0.1	0.2	0.3	0.4	0.5		0.6		0.7		0.8	
			CFM	CFM	CFM	CFM	CFM	WATTS	CFM	WATTS	CFM	WATTS	CFM	WATTS
GD9T80 0403A*	Y/Y1, Y2, G	F01	712	663	610	559	514	86	462	94	395	102	337	108
		F02	1120	1081	1053	1022	990	216	955	225	918	231	887	240
		F03	619	568	510	459	404	70	325	77	269	83	216	89
		F04^	825	784	741	694	650	114	609	120	563	126	520	133
		F05	1000	963	930	893	852	164	816	171	776	176	745	182
		F06	889	844	799	758	721	128	684	135	646	143	601	149
		F07	1212	1198	1161	1138	1103	262	1076	268	1037	280	1007	288
		F08	1362	1342	1307	1273	1252	353	1237	364	1211	378	1185	385
		F09	1426	1405	1380	1359	1335	396	1312	408	1280	419	1254	429
GD9T80 0603A*	Y/Y1, Y2, G	F01	706	655	604	555	505	87	455	92	395	98	328	105
		F02	1035	991	951	913	876	182	844	189	807	197	770	203
		F03	630	572	521	466	411	72	341	78	269	84	216	89
		F04^	897	851	808	764	725	134	686	140	646	146	603	151
		F05	1155	1113	1074	1039	1006	233	974	241	945	251	913	258
		F06	1123	1077	1041	1006	973	218	941	227	907	235	875	242
		F07	1255	1214	1181	1147	1116	286	1087	296	1056	304	1028	313
		F08	1388	1331	1298	1266	1235	355	1207	367	1179	375	1151	387
		F09	1421	1380	1348	1318	1289	390	1262	401	1233	411	1207	421
GD9T80 0603B*	Y/Y1, Y2, G	F01	868	811	752	692	631	110	510	122	452	128	399	135
		F02	1157	1105	1058	1014	968	181	924	190	877	197	827	207
		F03	738	672	598	510	413	90	360	96	309	101	N/A	N/A
		F04^	967	912	861	809	755	130	693	139	609	150	565	162
		F05	1207	1158	1112	1065	1021	198	978	208	934	217	886	226
		F06	1215	1182	1146	1111	1078	219	1041	230	1007	241	975	251
		F07	1325	1294	1254	1213	1176	252	1137	260	1097	269	1054	279
		F08	1352	1324	1293	1264	1229	281	1199	293	1170	305	1138	317
		F09	1464	1430	1394	1358	1322	317	1302	329	1267	341	1232	352
GD9T80 0804B*	Y/Y1, Y2, G	F01	1011	958	912	866	815	141	763	148	710	155	642	164
		F02	1393	1348	1308	1270	1230	277	1196	289	1158	295	1123	306
		F03	760	697	636	569	481	86	402	92	349	98	300	103
		F04^	1309	1261	1218	1182	1142	239	1103	248	1064	258	1025	268
		F05	1459	1414	1371	1336	1297	310	1264	321	1229	333	1193	342
		F06	1580	1534	1495	1459	1429	376	1390	388	1356	394	1324	409
		F07	1753	1713	1677	1642	1611	493	1576	508	1549	524	1518	533
		F08	1523	1483	1438	1403	1370	351	1336	355	1299	366	1266	377
		F09	1643	1599	1562	1525	1491	418	1462	430	1431	444	1394	450
GD9T80 0805C*	Y/Y1, Y2, G	F01	1176	1105	1020	935	864	163	797	173	729	183	673	194
		F02	1513	1459	1400	1335	1253	263	1182	276	1122	291	1067	305
		F03	1022	813	674	585	511	101	431	109	334	119	282	124
		F04^	1640	1595	1540	1489	1436	315	1367	329	1307	341	1254	355
		F05	1843	1786	1747	1690	1643	420	1575	435	1497	445	1435	459
		F06	1859	1819	1779	1734	1691	432	1641	450	1593	465	1520	481
		F07	2028	1982	1946	1907	1861	536	1814	555	1749	564	1683	588
		F08	2096	2045	2006	1974	1927	585	1882	599	1818	611	1765	629
		F09	2203	2170	2138	2113	2074	689	2032	705	1990	723	1948	737

Note: ^ DEFAULT SPEED

MODEL	THERMOSTAT CALL	TAP #	EXTERNAL STATIC PRESSURE (INCHES WATER COLUMN)											
			0.1	0.2	0.3	0.4	0.5		0.6		0.7		0.8	
			CFM	CFM	CFM	CFM	CFM	WATTS	CFM	WATTS	CFM	WATTS	CFM	WATTS
GD9T80 1005C*	Y/Y1, Y2, G	F01	1628	1571	1521	1472	1425	317	1380	331	1337	343	1291	356
		F02	2159	2116	2072	2032	1992	644	1953	660	1916	675	1882	692
		F03	956	777	675	587	468	100	377	107	324	112	296	117
		F04^	1561	1499	1441	1385	1336	290	1289	302	1243	314	1197	325
		F05	2222	2174	2132	2090	2053	688	2013	702	1976	719	1944	737
		F06	1833	1784	1735	1688	1645	420	1605	436	1562	450	1520	462
		F07	1714	1659	1611	1564	1519	360	1473	371	1432	387	1387	397
		F08	1926	1894	1849	1807	1764	487	1720	497	1683	514	1642	527
		F09	1899	1853	1804	1761	1720	465	1681	479	1640	494	1602	510

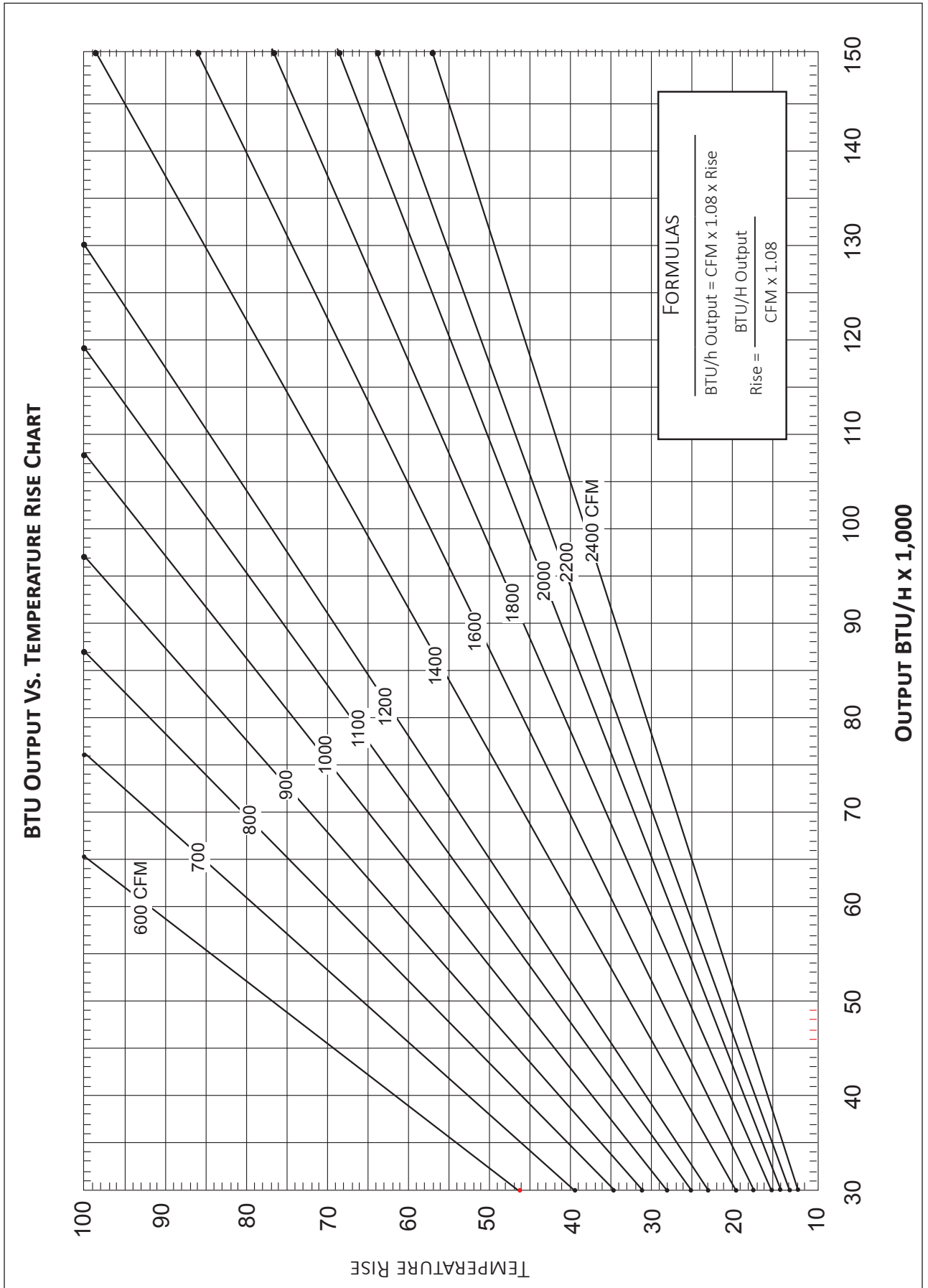
NOTE: ^ DEFAULT SPEED

RECOMMENDED AIRFLOW SPEEDS FOR CONNECTION		
FURNACE MODEL	Y2	Y1
GD9T800805C*	F05	F01

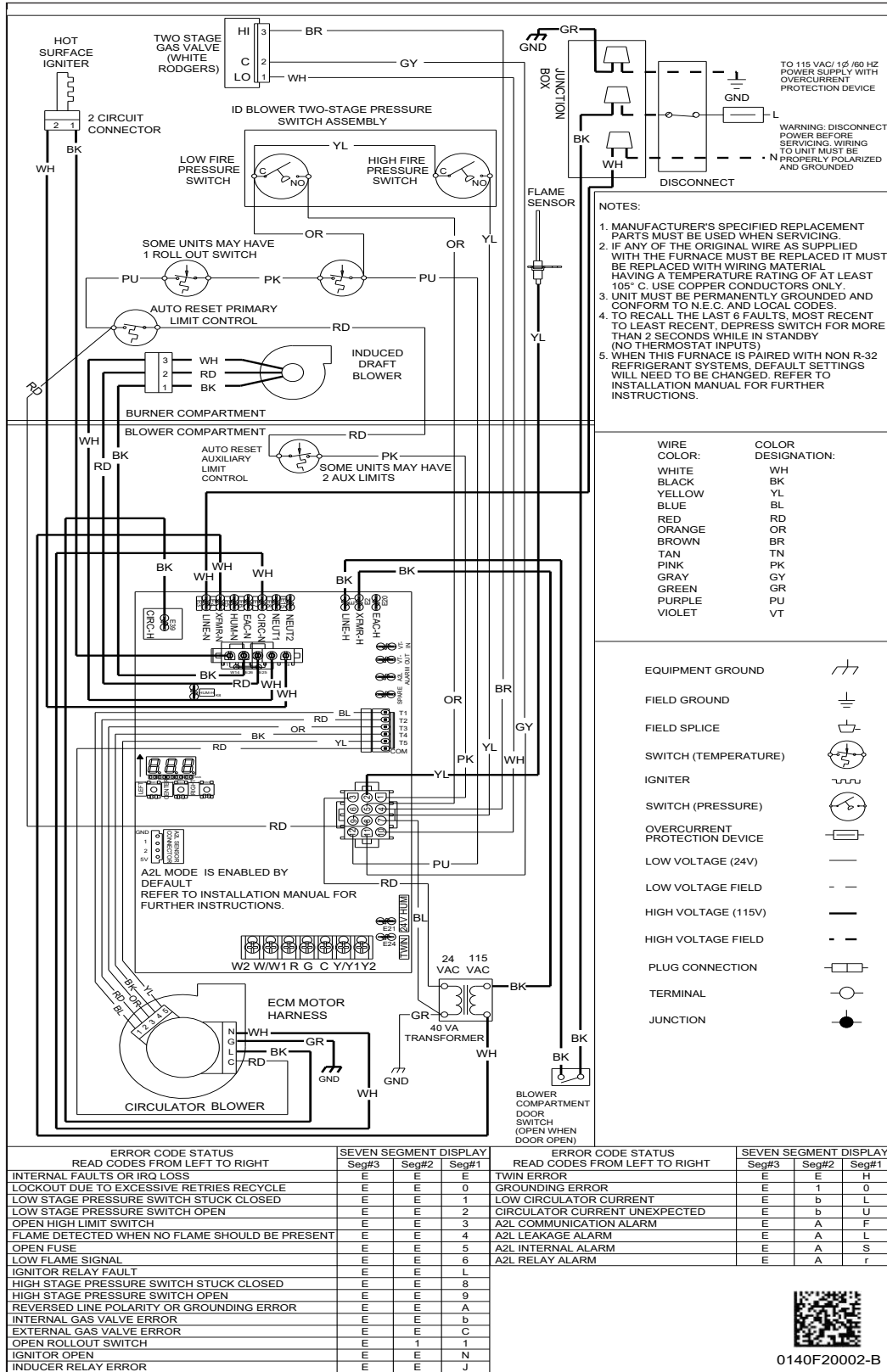
GD9T80 HEATING AIRFLOW DATA

HEATING AIFLOW															
MODEL	THERMOSTAT CALL	TAP #	EXTERNAL STATIC PRESSURE, (INCHES WATER COLUMN)												
			0.1		0.2		0.3		0.4		0.5		0.6	0.7	0.8
			CFM	RISE	CFM	RISE	CFM	RISE	CFM	RISE	CFM	RISE	CFM	CFM	CFM
GD9T80 0403A*	W/W1	F01^	712	29	663	31	610	34	559	37	514	40	514	395	337
		F03^^	619	N/A	568	N/A	510	N/A	459	N/A	404	N/A	325	269	216
		F04	825	25	784	26	741	28	694	30	650	32	609	563	520
	W2	F02^	1120	26	1081	27	1053	28	1022	29	990	30	955	918	887
		F04	825	36	784	38	741	40	694	43	650	45	609	563	520
		F05	1000	30	963	31	930	32	893	33	852	35	816	776	745
GD9T80 0603A*	W/W1	F01^	706	44	655	48	604	52	555	56	505	N/A	455	395	328
		F03^^	630	N/A	572	N/A	521	N/A	466	N/A	411	N/A	341	269	216
		F04	897	35	851	37	808	39	764	41	725	43	686	646	603
	W2	F02^	1035	43	991	45	951	47	913	49	876	51	844	807	770
		F04^^	897	N/A	851	N/A	808	N/A	764	N/A	725	N/A	686	646	603
		F05	1155	38	1113	40	1074	41	1039	43	1006	44	974	945	913
GD9T80 0603B*	W/W1	F01^	868	36	811	38	752	41	692	45	631	49	510	452	399
		F03^^	738	N/A	672	N/A	598	N/A	510	N/A	413	N/A	360	309	N/A
		F04	967	32	912	34	861	36	809	38	755	41	693	609	565
	W2	F02^	1157	38	1105	40	1058	42	1014	44	968	46	924	877	827
		F04^^	967	N/A	912	N/A	861	N/A	809	N/A	755	N/A	693	609	565
		F05	1207	37	1158	38	1112	40	1065	42	1021	44	978	934	886
GD9T80 0804B*	W/W1	F01^	1011	41	958	43	912	46	866	48	815	51	763	710	642
		F03^^	760	N/A	697	N/A	636	N/A	569	N/A	481	N/A	402	349	300
		F04	1309	32	1261	33	1218	34	1182	35	1142	36	1103	1064	1025
	W2	F02^	1393	43	1348	44	1308	45	1270	47	1230	48	1196	1158	1123
		F04	1309	45	1261	47	1218	49	1182	50	1142	52	1103	1064	1025
		F05	1459	41	1414	42	1371	43	1336	44	1297	46	1264	1229	1193
GD9T80 0805C*	W/W1	F01^	1176	35	1105	38	1020	41	935	44	864	48	797	729	673
		F03^^	1022	N/A	813	N/A	674	N/A	585	N/A	511	N/A	431	334	282
		F04^^	1640	N/A	1595	N/A	1540	N/A	1489	N/A	1436	N/A	1367	1307	1254
	W2	F02	1513	39	1459	41	1400	42	1335	44	1253	47	1182	1122	1067
		F04	1640	36	1595	37	1540	38	1489	40	1436	41	1367	1307	1254
		F05	1843	32	1786	33	1747	34	1690	35	1643	36	1575	1497	1435
GD9T80 1005C*	W/W1	F01^	1628	32	1571	33	1521	34	1472	35	1425	36	1380	1337	1291
		F03^^	956	N/A	777	N/A	675	N/A	587	N/A	468	N/A	377	324	296
		F04	1561	33	1499	35	1441	36	1385	37	1336	39	1289	1243	1197
	W2	F02^	2159	34	2116	35	2072	36	2032	36	1992	37	1953	1916	1882
		F04^^	1561	N/A	1499	N/A	1441	N/A	1385	N/A	1336	N/A	1289	1243	1197
		F05	2222	33	2174	34	2132	35	2090	35	2053	36	2013	1976	1944

Note: ^ DEFAULT SPEED  
^^NOT RECOMMENDED FOR HEATING



# WIRING DIAGRAM



**High Voltage:** Disconnect all power before servicing or installing this unit. Multiple power sources may be present. Failure to do so may cause property damage, personal injury, or death.

**WARNING**

Wiring is subject to change. Always refer to the wiring diagram or the unit for the most up-to-date wiring.



MODEL	DESCRIPTION	GR9T80 0403A*	GR9T80 0603A*	GR9T80 0603B*	GR9T80 0803B*	GR9T80 0804B*	GR9T80 0804C*	GR9T80 0805C*	GR9T80 0805D*	GR9T80 1004C*	GR9T80 1005C*	GR9T80 1205D*
AFE18-60A	Fossil Fuel (Dual Fuel) Kit	√	√	√	√	√	√	√	√	√	√	√
HA-02	High-Altitude Natural Gas Kit	√	√	√	√	√	√	√	√	√	√	√
LPLP03	Low LP Gas Pressure Switch	√	√	√	√	√	√	√	√	√	√	√
LPM-32	LP Conversion Kits W/ LP Switch	√	√	√	√	√	√	√	√	√	√	√

MODEL	DESCRIPTION	GD9T80 0403A*	GD9T80 0603A*	GD9T80 0603B*	GD9T80 0804B*	AC9C80 0805C*	GD9T80 1005C*
SBT14	Downflow Sub-Base 14"	√	√	—	—	—	—
SBT17	Downflow Sub-Base 17.5"	—	—	√	√	—	—
SBT21	Downflow Sub-Base 21"	—	—	—	—	√	√
AFE18-60A	Fossil Fuel (Dual Fuel) Kit	√	√	√	√	√	√
HA-02	High-Altitude Natural Gas Kit	√	√	√	√	√	√
LPLP03	Low LP Gas Pressure Switch	√	√	√	√	√	√
LPM-32	LP Conversion Kits W/ LP Switch	√	√	√	√	√	√

*NOTES*

---

---

---

---

---

---

---

---

---

---

---

---

---

---

---

---

---

---

---

---

---

---

---

---

---



