

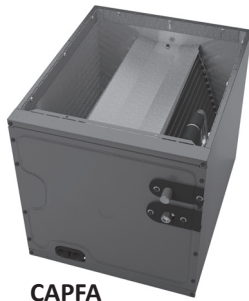


Air Conditioning & Heating

# INDOOR COILS

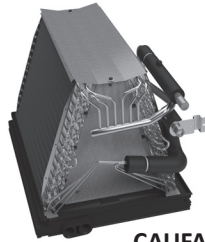
*CAUF/(A), CAPF/(A), CAPT/(A), CHPF AND CSCF*

*CASED, PAINTED UPFLOW/DOWNFLOW,  
UNCASED UPFLOW/DOWNFLOW,  
HORIZONTAL "A", AND HORIZONTAL SLAB*



**CAPFA  
Cased**

**AlumaFin<sup>7</sup>**  
Evaporator Coil



**CAUFA  
Uncased**



**CAPTA  
Cased**



**CHPF  
Horizontal "A"**



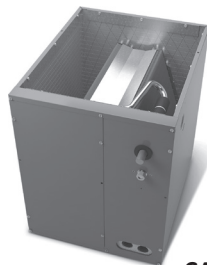
**CAUF  
Uncased**



**CAPF  
Cased**



**CSCF  
Horizontal Slab**



**CAPT  
Cased with Internal TXV**

### Standard Features

- All-Aluminum evaporator coil
- Optimized for use with R-410A refrigerant
- Some models suitable for use with R-410A or R-22 refrigerant
- CAPT, CAPTA models feature factory-installed thermal expansion valves for cooling and heat pump applications
- CAPF, CAPFA, CAUF, CAUFA, CHPF, CSCF models feature a check flowrator for cooling and heat pump applications
- Vertical and horizontal models available
- 21" depth for easier attic access
- Foil-faced insulation covers the internal casing to reduce cabinet condensation
- Galvanized, leather grain-embossed finish
- Rust resistant, thermoplastic drain pans featuring a low water-retention design
- DecaBDE-free thermoplastic drain pan with secondary drain connections
- UV-resistant drain pan
- AHRI certified; ETL listed

**Note:** Do not use these coils on oil furnaces or any applications where the temperature on the drain pan may exceed 300°F. If these coils are applied with an oil furnace or another application where high temperatures threaten or jeopardize the durability of the drain pan, you must replace the factory-installed drain pan with a high-temperature drain pan. High-temperature drain pan kits are available as field-installed accessories.

**10 YEAR LIMITED PARTS WARRANTY\***




COMPANY WITH ENVIRONMENTAL SYSTEM CERTIFIED BY DNV GL  
# ISO 14001 #

COMPANY WITH QUALITY SYSTEM CERTIFIED BY DNV GL  
# ISO 9001 #

\* Complete warranty details available from your local dealer or at [www.goodmanmfg.com](http://www.goodmanmfg.com). To receive the 10-Year Parts Limited Warranty, online registration must be completed within 60 days of installation. Online registration is not required in California or Quebec.

|   | C | A | U | F | 1824                | A                  | 6  | AA    |  |  |
|---|---|---|---|---|---------------------|--------------------|----|-------|--|--|
|   | 1 | 2 | 3 | 4 | 5,6,7,8             | 9                  | 10 | 11,12 |  |  |
| <b>Product Category</b>                 |   |   |   |   |                     |                    |    |       | <b>ENGINEERING</b>                       |  |
| C- Indoor Coil                          |   |   |   |   |                     |                    |    |       | Major/Minor Revisions                    |  |
| <b>Application</b>                      |   |   |   |   |                     |                    |    |       | <b>REFRIGERANT</b>                       |  |
| A- Upflow/Downflow Coil                 |   |   |   |   |                     |                    |    |       | 6- R-22 / R-410A                         |  |
| H- Horizontal A Coil                    |   |   |   |   |                     |                    |    |       | 2- R-22                                  |  |
| S- Horizontal Slab Coil                 |   |   |   |   |                     |                    |    |       | 4- R-410A                                |  |
| <b>Cabinet Finish</b>                   |   |   |   |   |                     |                    |    |       | <b>NOMINAL WIDTH FOR GAS FURNACE</b>     |  |
| U- Uncased      C- Unpainted            |   |   |   |   |                     |                    |    |       | A- Fits 14" Furnace Cabinet              |  |
| P- Painted                              |   |   |   |   |                     |                    |    |       | B- Fits 17½" Furnace Cabinet             |  |
|   |   |   |   |   |                     |                    |    |       | C- Fits 21" Furnace Cabinet              |  |
| <b>Expansion Device</b>                 |   |   |   |   |                     |                    |    |       | N- Does Not Apply (horizontal slab coil) |  |
| F- Flowrator                            |   |   |   |   |                     |                    |    |       |  |  |
| T- TXV                                  |   |   |   |   |                     |                    |    |       |  |  |
| <b>NOMINAL CAPACITY RANGE @ 13 SEER</b> |   |   |   |   |                     |                    |    |       |  |  |
|   |   |   |   |   | 1824- 1½ to 2 Tons  | 3642- 3 to 3½ Tons |    |       |  |  |
|   |   |   |   |   | 3030- 2½ Tons       | 3743- 3 to 3½ Tons |    |       |  |  |
|   |   |   |   |   | 3131- 2½ Tons       | 4860- 4 to 5 Tons  |    |       |  |  |
|   |   |   |   |   | 3137- 2 ¼ to 3 Tons | 4961- 4 to 5 Tons  |    |       |  |  |
|   |   |   |   |   | 3636- 3 Tons        |                    |    |       |  |  |

|                               | C | A | P | F | A                | 1                | 8 | 1 | 4 | A  | 6                            | A  | A  |   |  |
|-------------------------------|---|---|---|---|------------------|------------------|---|---|---|----|------------------------------|----|----|---|--|
|                               | 1 | 2 | 3 | 4 | 5                | 6                | 7 | 8 | 9 | 10 | 11                           | 12 | 13 |   |  |
| <b>Product Category</b>       |   |   |   |   |                  |                  |   |   |   |    |                              |    |    |  |  |
| C Indoor Coil                 |   |   |   |   |                  |                  |   |   |   |    |                              |    |    |   |  |
| <b>Application</b>            |   |   |   |   |                  |                  |   |   |   |    |                              |    |    | <b>Engineering</b>  |  |
| A Upflow/Downflow             |   |   |   |   |                  |                  |   |   |   |    |                              |    |    | Major/ Minor Revisions  |  |
| H Horizontal                  |   |   |   |   |                  |                  |   |   |   |    |                              |    |    |   |  |
| <b>Cabinet Finish</b>         |   |   |   |   |                  |                  |   |   |   |    |                              |    |    | <b>Refrigerant</b>  |  |
| U Uncased                     |   |   |   |   |                  |                  |   |   |   |    |                              |    |    | 2- R-22 only  |  |
| P Cased- Painted              |   |   |   |   |                  |                  |   |   |   |    |                              |    |    | 4- R-410A only  |  |
| C Cased- Unpainted            |   |   |   |   |                  |                  |   |   |   |    |                              |    |    | 6- R-22 or R-410A compatible  |  |
| <b>Expansion Device</b>       |   |   |   |   |                  |                  |   |   |   |    |                              |    |    | <b>Nominal Width for Gas Furnace</b>  |  |
| F Flowrator                   |   |   |   |   |                  |                  |   |   |   |    |                              |    |    | A- 14" Width      D- 24.5" Width  |  |
| T TXV                         |   |   |   |   |                  |                  |   |   |   |    |                              |    |    | B- 17.5" Width      N- Not Applicable (Slab Coil)                                     |  |
| E Electronic Expansion Device |   |   |   |   |                  |                  |   |   |   |    |                              |    |    | C- 21" Width  |  |
| <b>Coil Configuration</b>     |   |   |   |   |                  |                  |   |   |   |    |                              |    |    | <b>Cased Height</b>   |  |
| A A Coil                      |   |   |   |   |                  |                  |   |   |   |    |                              |    |    | 14- 14" Coil      22- 22" Coil  |  |
| S Slab                        |   |   |   |   |                  |                  |   |   |   |    |                              |    |    | 18- 18" Coil      26- 26" Coil  |  |
|                               |   |   |   |   |                  |                  |   |   |   |    |                              |    |    | 30- 30" Coil  |  |
| <b>Nominal Capacity Range</b> |   |   |   |   |                  |                  |   |   |   |    |                              |    |    |   |  |
|                               |   |   |   |   | 17, 18- 1.5 Tons | 29, 30- 2.5 Tons |   |   |   |    | 42- 3.5 Tons      60- 5 Tons |    |    |   |  |
|                               |   |   |   |   | 23, 24- 2 Tons   | 35, 36- 3 Tons   |   |   |   |    | 48- 4 Tons                   |    |    |   |  |



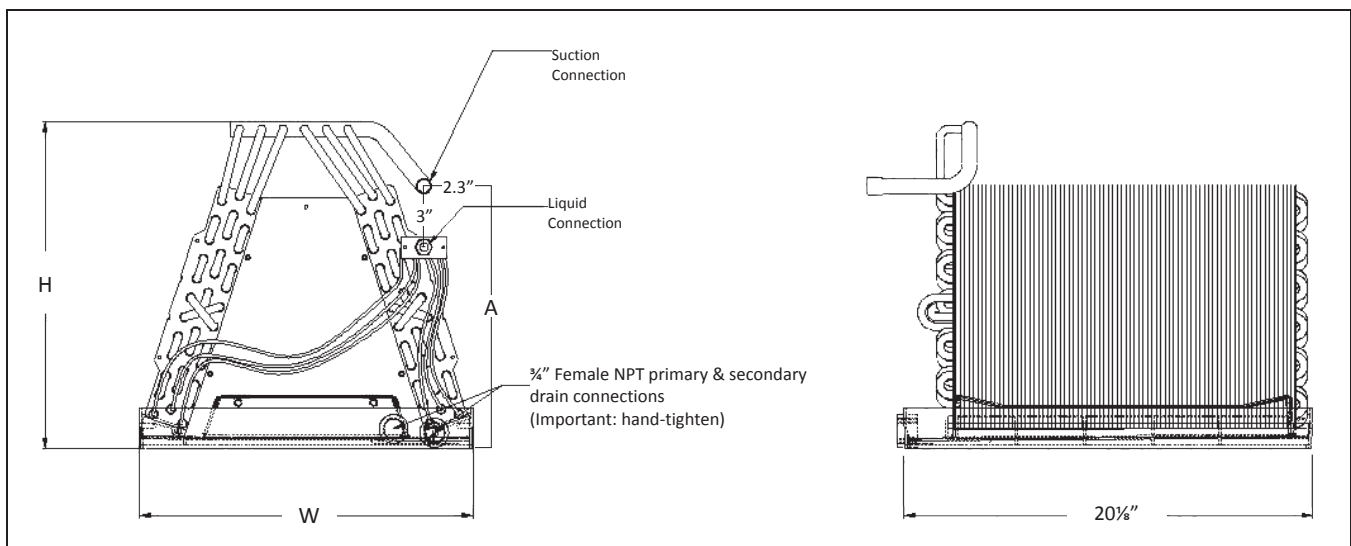
**SPECIFICATIONS**

| MODEL      | UNIT DIMENSIONS |      |     | NOMINAL TONS | CONNECTION |         | PISTON SIZE* | SHIP WEIGHT (LBS) |
|------------|-----------------|------|-----|--------------|------------|---------|--------------|-------------------|
|            | W               | H    | A   |              | LIQUID     | SUCTION |              |                   |
| CAUF1824A6 | 13"             | 16¼" | 13" | 1½-2         | ⅜"         | ¾"      | .059         | 18                |
| CAUF1824B6 | 16½"            | 16⅝" | 13" | 1½-2         | ⅜"         | ¾"      | .059         | 23                |
| CAUF1824C6 | 20"             | 16⅝" | 17" | 1½-2         | ⅜"         | ¾"      | .059         | 27                |
| CAUF3030A6 | 13"             | 20⅞" | 17" | 2½           | ⅜"         | ¾"      | .065         | 25                |
| CAUF3030B6 | 16½"            | 18¾" | 17" | 2½           | ⅜"         | ¾"      | .065         | 22                |
| CAUF3030C6 | 20"             | 17⅞" | 17" | 2½           | ⅜"         | ¾"      | .065         | 25                |
| CAUF3030D6 | 23"             | 17⅞" | 17" | 2½           | ⅜"         | ¾"      | .065         | 32                |
| CAUF3131B6 | 16½"            | 20⅞" | 17" | 2½           | ⅜"         | ¾"      | .068         | 27                |
| CAUF3137B6 | 16½"            | 27"  | 25" | 2½-3         | ⅜"         | ¾"      | .071         | 53                |
| CAUF3131C6 | 20"             | 20"  | 17" | 2½           | ⅜"         | ¾"      | .068         | 31                |
| CAUF3636A6 | 13"             | 19½" | 17" | 3            | ⅜"         | ¾"      | .071         | 30                |
| CAUF3636B6 | 16½"            | 19⅝" | 17" | 3            | ⅜"         | ¾"      | .071         | 25                |
| CAUF3636C6 | 20"             | 19⅝" | 17" | 3            | ⅜"         | ¾"      | .071         | 28                |
| CAUF3636D6 | 23"             | 19⅝" | 17" | 3            | ⅜"         | ¾"      | .071         | 36                |
| CAUF3642C6 | 20"             | 19"  | 17" | 3-3½         | ⅜"         | ¾"      | .078         | 29                |
| CAUF3642D6 | 23"             | 19⅝" | 17" | 3-3½         | ⅜"         | ¾"      | .078         | 34                |
| CAUF3743C6 | 20"             | 28⅞" | 25" | 3-3½         | ⅜"         | ⅞"      | .078         | 46                |
| CAUF3743D6 | 23"             | 27⅞" | 25" | 3-3½         | ⅜"         | ⅞"      | .078         | 43                |
| CAUF4860C6 | 20"             | 28"  | 25" | 4-5          | ⅜"         | ⅞"      | .093         | 48                |
| CAUF4860D6 | 23"             | 28"  | 25" | 4-5          | ⅜"         | ⅞"      | .093         | 39                |
| CAUF4961C6 | 20"             | 28"  | 25" | 4-5          | ⅜"         | ⅞"      | .093         | 54                |
| CAUF4961D6 | 23"             | 27"  | 25" | 4-5          | ⅜"         | ⅞"      | .093         | 59                |

\* Shipped with Coil

Note: For a properly matched system and piston sizing information, refer to the piston kit chart of the corresponding outdoor unit.

**DIMENSIONS**



SPECIFICATIONS

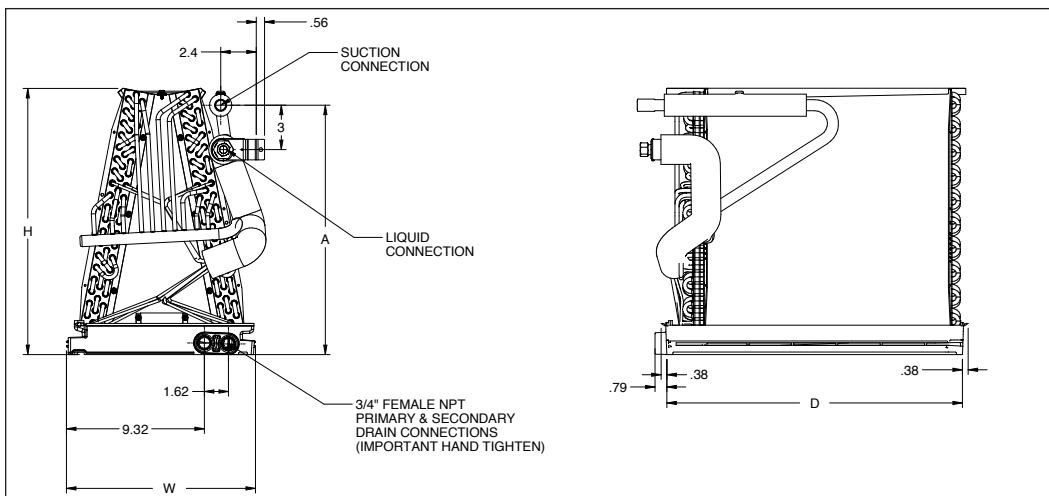


| MODEL       | UNIT DIMENSIONS |    |         |         | NOMINAL TONS | CONNECTION |         | PISTON SIZE* | SHIP WEIGHT (LBS) |
|-------------|-----------------|----|---------|---------|--------------|------------|---------|--------------|-------------------|
|             | W               | D  | H       | A       |              | LIQUID     | SUCTION |              |                   |
| CAUFA1714A6 | 12 7/8"         | 20 | 11 1/4" | 5 7/8"  | 1 1/2        | 3/8"       | 3/4"    | 0.051        | 16                |
| CAUFA1714B6 | 16 3/8"         | 20 | 11 1/8" | 5 7/8"  | 1 1/2        | 3/8"       | 3/4"    | 0.051        | 18                |
| CAUFA1818A6 | 12 7/8"         | 20 | 14 5/8" | 12 7/8" | 1 1/2        | 3/8"       | 3/4"    | 0.055        | 18                |
| CAUFA1818B6 | 16 3/8"         | 20 | 14 1/2" | 12 7/8" | 1 1/2        | 3/8"       | 3/4"    | 0.055        | 20                |
| CAUFA1818C6 | 19 7/8"         | 20 | 14 3/8" | 12 7/8" | 1 1/2        | 3/8"       | 3/4"    | 0.055        | 26                |
| CAUFA2318A6 | 12 7/8"         | 20 | 14 5/8" | 12 7/8" | 2            | 3/8"       | 3/4"    | 0.057        | 18                |
| CAUFA2318B6 | 16 3/8"         | 20 | 14 1/2" | 12 7/8" | 2            | 3/8"       | 3/4"    | 0.057        | 20                |
| CAUFA2318C6 | 19 7/8"         | 20 | 14 3/8" | 12 7/8" | 2            | 3/8"       | 3/4"    | 0.057        | 26                |
| CAUFA2418A6 | 12 7/8"         | 20 | 14 5/8" | 12 7/8" | 2            | 3/8"       | 3/4"    | 0.057        | 18                |
| CAUFA2418B6 | 16 3/8"         | 20 | 14 1/2" | 12 7/8" | 2            | 3/8"       | 3/4"    | 0.057        | 20                |
| CAUFA2418C6 | 19 7/8"         | 20 | 14 3/8" | 12 7/8" | 2            | 3/8"       | 3/4"    | 0.057        | 26                |
| CAUFA2422A6 | 12 7/8"         | 20 | 18 3/8" | 16 7/8" | 2            | 3/8"       | 3/4"    | 0.059        | 26                |
| CAUFA2422B6 | 16 3/8"         | 20 | 17 7/8" | 16 7/8" | 2            | 3/8"       | 3/4"    | 0.059        | 28                |
| CAUFA2422C6 | 19 7/8"         | 20 | 17 3/8" | 16 7/8" | 2            | 3/8"       | 3/4"    | 0.059        | 30                |
| CAUFA2922A6 | 12 7/8"         | 20 | 18 3/8" | 16 7/8" | 2.5          | 3/8"       | 3/4"    | 0.065        | 26                |
| CAUFA2922B6 | 16 3/8"         | 20 | 17 7/8" | 16 7/8" | 2 1/2        | 3/8"       | 3/4"    | 0.065        | 28                |
| CAUFA2922C6 | 19 7/8"         | 20 | 17 3/8" | 16 7/8" | 2 1/2        | 3/8"       | 3/4"    | 0.065        | 30                |
| CAUFA3022A6 | 12 7/8"         | 20 | 18 1/8" | 16 7/8" | 2 1/2        | 3/8"       | 3/4"    | 0.063        | 26                |
| CAUFA3022B6 | 16 3/8"         | 20 | 17 7/8" | 16 7/8" | 2 1/2        | 3/8"       | 3/4"    | 0.063        | 28                |
| CAUFA3022C6 | 19 7/8"         | 20 | 17 7/8" | 16 7/8" | 2 1/2        | 3/8"       | 3/4"    | 0.063        | 30                |
| CAUFA3022D6 | 23 3/8"         | 20 | 17 1/4" | 16 7/8" | 2 1/2        | 3/8"       | 3/4"    | 0.063        | 32                |
| CAUFA3526B6 | 16 3/8"         | 20 | 21"     | 20 7/8" | 3            | 3/8"       | 7/8"    | 0.065        | 30                |
| CAUFA3526C6 | 19 7/8"         | 20 | 20 3/4" | 20 7/8" | 3            | 3/8"       | 7/8"    | 0.065        | 31                |
| CAUFA3626B6 | 16 3/8"         | 20 | 21"     | 20 7/8" | 3            | 3/8"       | 7/8"    | 0.065        | 30                |
| CAUFA3626C6 | 19 7/8"         | 20 | 20 3/4" | 20 7/8" | 3            | 3/8"       | 7/8"    | 0.065        | 31                |
| CAUFA3626D6 | 23 3/8"         | 20 | 20 5/8" | 20 7/8" | 3            | 3/8"       | 7/8"    | 0.065        | 35                |
| CAUFA4226B6 | 16 3/8"         | 20 | 24 3/8" | 20 7/8" | 3.5          | 3/8"       | 7/8"    | 0.071        | 28                |
| CAUFA4226C6 | 19 7/8"         | 20 | 24"     | 20 7/8" | 3.5          | 3/8"       | 7/8"    | 0.071        | 30                |
| CAUFA4226D6 | 23 3/8"         | 20 | 23 5/8" | 20 7/8" | 3.5          | 3/8"       | 7/8"    | 0.071        | 33                |

\* Shipped with Coil

Note: For a properly matched system and piston sizing information, refer to the piston kit chart of the corresponding outdoor unit.

DIMENSIONS





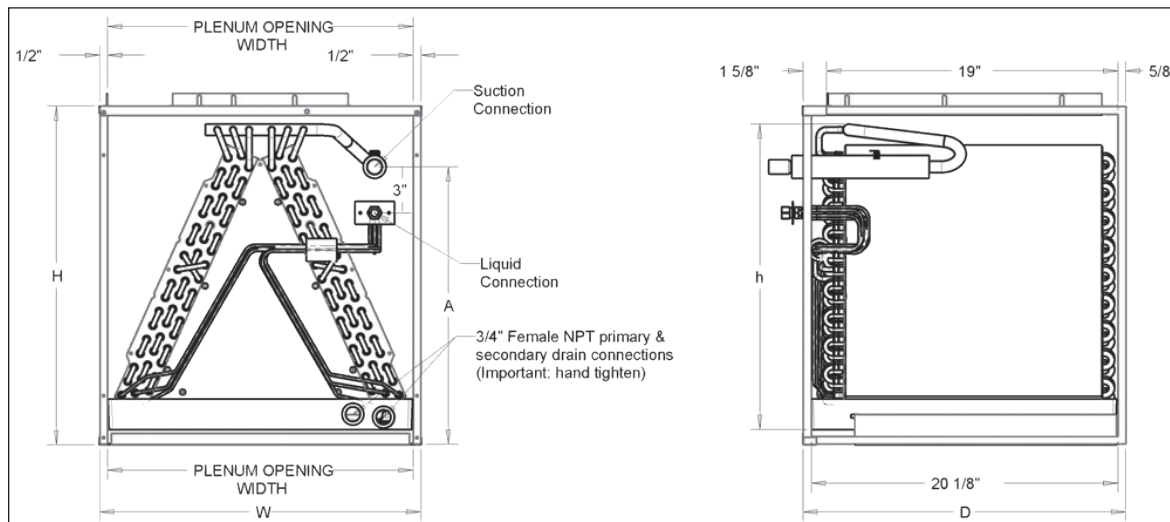
**SPECIFICATIONS**

| MODEL      | UNIT DIMENSIONS    |                    |     | NOMINAL TONS       | CONNECTION      |                 | PISTON SIZE* | SHIP WEIGHT (LBS) |
|------------|--------------------|--------------------|-----|--------------------|-----------------|-----------------|--------------|-------------------|
|            | W                  | D                  | H   |                    | LIQUID          | SUCTION         |              |                   |
| CAPF1824A6 | 14"                | 21 $\frac{1}{8}$ " | 18" | 1 $\frac{1}{2}$ -2 | $\frac{3}{8}$ " | $\frac{3}{4}$ " | .059         | 32                |
| CAPF1824B6 | 17 $\frac{1}{2}$ " | 21 $\frac{1}{8}$ " | 18" | 1 $\frac{1}{2}$ -2 | $\frac{3}{8}$ " | $\frac{3}{4}$ " | .059         | 35                |
| CAPF1824C6 | 21"                | 21 $\frac{1}{8}$ " | 22" | 1 $\frac{1}{2}$ -2 | $\frac{3}{8}$ " | $\frac{3}{4}$ " | .059         | 42                |
| CAPF3030A6 | 14"                | 21 $\frac{1}{8}$ " | 22" | 2 $\frac{1}{2}$    | $\frac{3}{8}$ " | $\frac{3}{4}$ " | .065         | 41                |
| CAPF3030B6 | 17 $\frac{1}{2}$ " | 21 $\frac{1}{8}$ " | 22" | 2 $\frac{1}{2}$    | $\frac{3}{8}$ " | $\frac{3}{4}$ " | .065         | 43                |
| CAPF3030C6 | 21"                | 21 $\frac{1}{8}$ " | 22" | 2 $\frac{1}{2}$    | $\frac{3}{8}$ " | $\frac{3}{4}$ " | .065         | 44                |
| CAPF3030D6 | 24 $\frac{1}{2}$ " | 21 $\frac{1}{8}$ " | 22" | 2 $\frac{1}{2}$    | $\frac{3}{8}$ " | $\frac{3}{4}$ " | .065         | 52                |
| CAPF3131B6 | 17 $\frac{1}{2}$ " | 21 $\frac{1}{8}$ " | 22" | 2 $\frac{1}{2}$    | $\frac{3}{8}$ " | $\frac{3}{4}$ " | .068         | 46                |
| CAPF3137B6 | 17 $\frac{1}{2}$ " | 21 $\frac{1}{8}$ " | 30" | 2 $\frac{1}{2}$ -3 | $\frac{3}{8}$ " | $\frac{3}{4}$ " | .071         | 53                |
| CAPF3131C6 | 21"                | 21 $\frac{1}{8}$ " | 22" | 2 $\frac{1}{2}$    | $\frac{3}{8}$ " | $\frac{3}{4}$ " | .068         | 50                |
| CAPF3636A6 | 14"                | 21 $\frac{1}{8}$ " | 22" | 3                  | $\frac{3}{8}$ " | $\frac{3}{4}$ " | .071         | 40                |
| CAPF3636B6 | 17 $\frac{1}{2}$ " | 21 $\frac{1}{8}$ " | 22" | 3                  | $\frac{3}{8}$ " | $\frac{3}{4}$ " | .071         | 44                |
| CAPF3636C6 | 21"                | 21 $\frac{1}{8}$ " | 22" | 3                  | $\frac{3}{8}$ " | $\frac{3}{4}$ " | .071         | 53                |
| CAPF3636D6 | 24 $\frac{1}{2}$ " | 21 $\frac{1}{8}$ " | 22" | 3                  | $\frac{3}{8}$ " | $\frac{3}{4}$ " | .071         | 51                |
| CAPF3642C6 | 21"                | 21 $\frac{1}{8}$ " | 22" | 3-3 $\frac{1}{2}$  | $\frac{3}{8}$ " | $\frac{3}{4}$ " | .078         | 49                |
| CAPF3642D6 | 24 $\frac{1}{2}$ " | 21 $\frac{1}{8}$ " | 22" | 3-3 $\frac{1}{2}$  | $\frac{3}{8}$ " | $\frac{3}{4}$ " | .078         | 52                |
| CAPF3743C6 | 21"                | 21 $\frac{1}{8}$ " | 30" | 3-3 $\frac{1}{2}$  | $\frac{3}{8}$ " | $\frac{7}{8}$ " | .078         | 63                |
| CAPF3743D6 | 24 $\frac{1}{2}$ " | 21 $\frac{1}{8}$ " | 30" | 3-3 $\frac{1}{2}$  | $\frac{3}{8}$ " | $\frac{7}{8}$ " | .078         | 75                |
| CAPF4860C6 | 21"                | 21 $\frac{1}{8}$ " | 30" | 4-5                | $\frac{3}{8}$ " | $\frac{7}{8}$ " | .093         | 65                |
| CAPF4860D6 | 24 $\frac{1}{2}$ " | 21 $\frac{1}{8}$ " | 30" | 4-5                | $\frac{3}{8}$ " | $\frac{7}{8}$ " | .093         | 68                |
| CAPF4961C6 | 21"                | 21 $\frac{1}{8}$ " | 30" | 4-5                | $\frac{3}{8}$ " | $\frac{7}{8}$ " | .093         | 73                |
| CAPF4961D6 | 24 $\frac{1}{2}$ " | 21 $\frac{1}{8}$ " | 30" | 4-5                | $\frac{3}{8}$ " | $\frac{7}{8}$ " | .093         | 76                |

\* Shipped with Coil

Note: For a properly matched system and piston sizing information, refer to the piston kit chart of the corresponding outdoor unit.

**DIMENSIONS**



SPECIFICATIONS

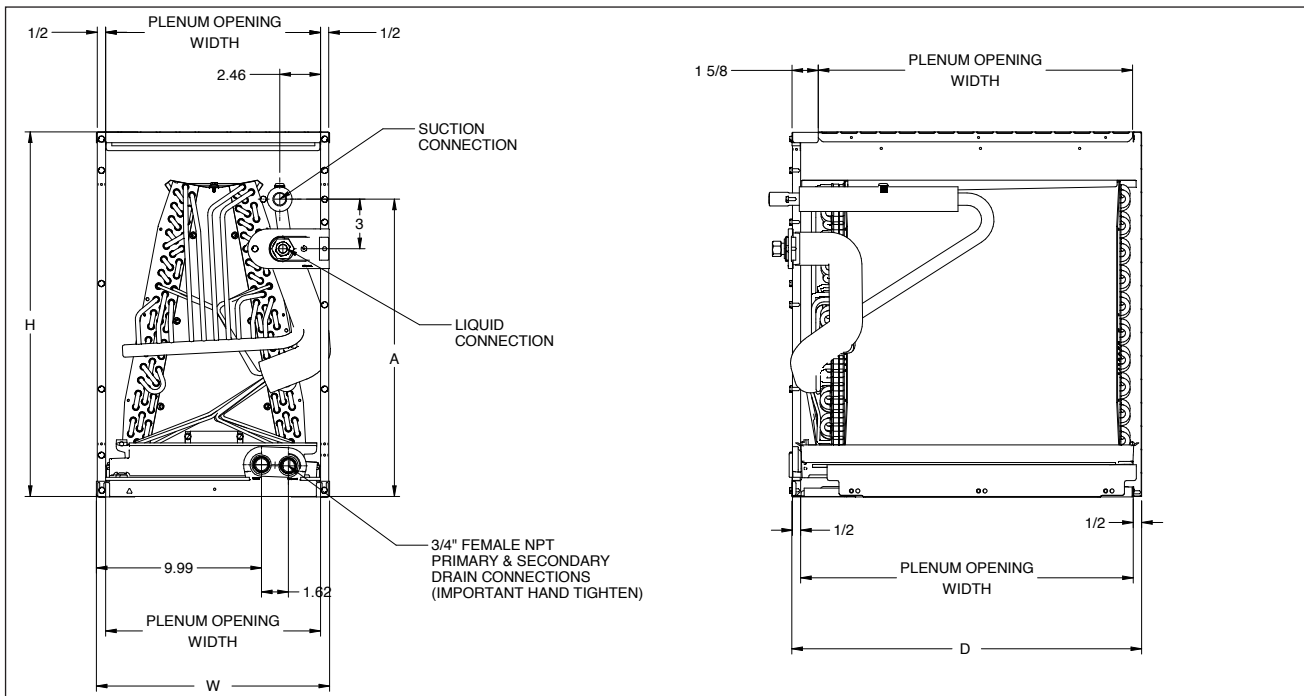


| MODEL       | UNIT DIMENSIONS |     |     |     | NOMINAL TONS | CONNECTION |         | PISTON SIZE* | SHIP WEIGHT (LBS) |
|-------------|-----------------|-----|-----|-----|--------------|------------|---------|--------------|-------------------|
|             | W               | D   | H   | A   |              | LIQUID     | SUCTION |              |                   |
| CAPFA1714A6 | 14"             | 21" | 14" | 6"  | 1½           | 3/8"       | 3/4"    | 0.051        | 29                |
| CAPFA1714B6 | 17½"            | 21" | 14" | 6"  | 1½           | 3/8"       | 3/4"    | 0.051        | 33                |
| CAPFA1818A6 | 14"             | 21" | 18" | 14" | 1½           | 3/8"       | 3/4"    | 0.055        | 33                |
| CAPFA1818B6 | 17½"            | 21" | 18" | 14" | 1½           | 3/8"       | 3/4"    | 0.055        | 38                |
| CAPFA1818C6 | 21"             | 21" | 18" | 14" | 1½           | 3/8"       | 3/4"    | 0.055        | 43                |
| CAPFA2318A6 | 14"             | 21" | 18" | 14" | 2            | 3/8"       | 3/4"    | 0.057        | 33                |
| CAPFA2318B6 | 17½"            | 21" | 18" | 14" | 2            | 3/8"       | 3/4"    | 0.057        | 38                |
| CAPFA2318C6 | 21"             | 21" | 18" | 14" | 2            | 3/8"       | 3/4"    | 0.057        | 43                |
| CAPFA2418A6 | 14"             | 21" | 18" | 14" | 2            | 3/8"       | 3/4"    | 0.057        | 33                |
| CAPFA2418B6 | 17½"            | 21" | 18" | 14" | 2            | 3/8"       | 3/4"    | 0.057        | 38                |
| CAPFA2418C6 | 21"             | 21" | 18" | 14" | 2            | 3/8"       | 3/4"    | 0.057        | 43                |
| CAPFA2422A6 | 14"             | 21" | 22" | 18" | 2            | 3/8"       | 3/4"    | 0.059        | 41                |
| CAPFA2422B6 | 17½"            | 21" | 22" | 18" | 2            | 3/8"       | 3/4"    | 0.059        | 45                |
| CAPFA2422C6 | 21"             | 21" | 22" | 18" | 2            | 3/8"       | 3/4"    | 0.059        | 50                |
| CAPFA2922A6 | 14"             | 21" | 22" | 18" | 2.5          | 3/8"       | 3/4"    | 0.065        | 41                |
| CAPFA2922B6 | 17½"            | 21" | 22" | 18" | 2½           | 3/8"       | 3/4"    | 0.065        | 45                |
| CAPFA2922C6 | 21"             | 21" | 22" | 18" | 2½           | 3/8"       | 3/4"    | 0.065        | 50                |
| CAPFA3022A6 | 14"             | 21" | 22" | 18" | 2½           | 3/8"       | 3/4"    | 0.063        | 41                |
| CAPFA3022B6 | 17½"            | 21" | 22" | 18" | 2½           | 3/8"       | 3/4"    | 0.063        | 45                |
| CAPFA3022C6 | 21"             | 21" | 22" | 18" | 2½           | 3/8"       | 3/4"    | 0.063        | 50                |
| CAPFA3022D6 | 24½"            | 21" | 22" | 18" | 2½           | 3/8"       | 3/4"    | 0.063        | 52                |
| CAPFA3526B6 | 17.5"           | 21" | 26" | 22" | 3.0          | 3/8"       | 7/8"    | 0.065        | 47                |
| CAPFA3526C6 | 21"             | 21" | 26" | 22" | 3.0          | 3/8"       | 7/8"    | 0.065        | 49                |
| CAPFA3626B6 | 17½"            | 21" | 26" | 22" | 3            | 3/8"       | 7/8"    | 0.065        | 47                |
| CAPFA3626C6 | 21"             | 21" | 26" | 22" | 3            | 3/8"       | 7/8"    | 0.065        | 49                |
| CAPFA3626D6 | 24½"            | 21" | 26" | 22" | 3            | 3/8"       | 7/8"    | 0.065        | 56                |
| CAPFA4226B6 | 17½"            | 21" | 26" | 22" | 3.5          | 3/8"       | 7/8"    | 0.071        | 51                |
| CAPFA4226C6 | 21"             | 21" | 26" | 22" | 3.5          | 3/8"       | 7/8"    | 0.071        | 54                |
| CAPFA4226D6 | 24½"            | 21" | 26" | 22" | 3.5          | 3/8"       | 7/8"    | 0.071        | 59                |

\* Shipped with Coil

Note: For a properly matched system and piston sizing information, refer to the piston kit chart of the corresponding outdoor unit.

DIMENSIONS

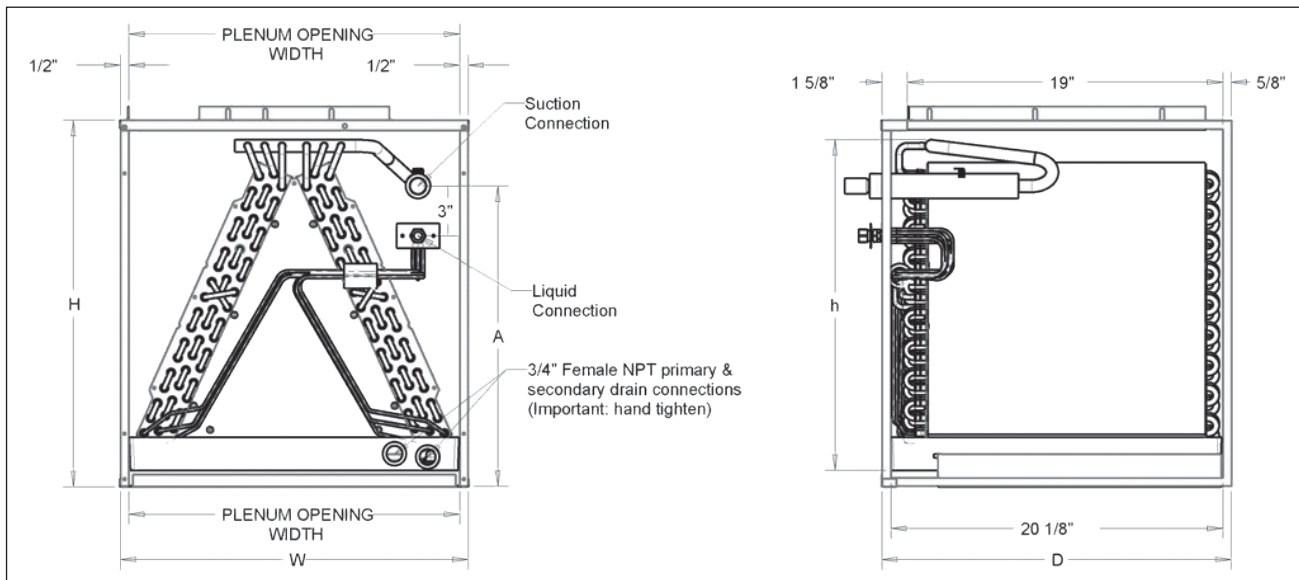




**SPECIFICATIONS**

| MODEL      | UNIT DIMENSIONS |     |     | NOMINAL TONS | CONNECTION |         | SHIP WEIGHT (LBS) |
|------------|-----------------|-----|-----|--------------|------------|---------|-------------------|
|            | W               | D   | H   |              | LIQUID     | SUCTION |                   |
| CAPT3131B4 | 17½"            | 21" | 22" | 2½           | ⅜"         | ¾"      | 46                |
| CAPT3131C4 | 21"             | 21" | 22" | 2½           | ⅜"         | ¾"      | 50                |
| CAPT3743C4 | 21"             | 21" | 30" | 3-3½         | ⅜"         | ¾"      | 63                |
| CAPT3743D4 | 24½"            | 21" | 30" | 3-3½         | ⅜"         | ¾"      | 75                |
| CAPT4961C4 | 21"             | 21" | 30" | 4-5          | ⅜"         | ¾"      | 73                |
| CAPT4961D4 | 24½"            | 21" | 30" | 4-5          | ⅜"         | ¾"      | 76                |

**DIMENSIONS**





SPECIFICATIONS

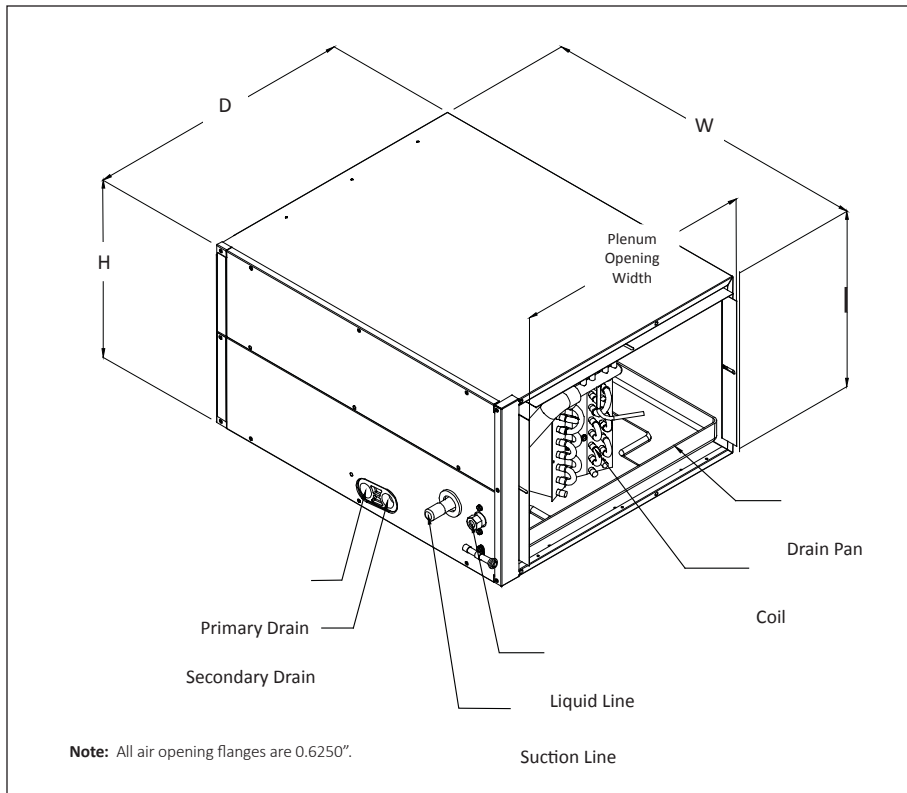
| MODEL      | CABINET DIMENSIONS |     |                    | PLENUM |                    | NOMINAL TONS       | CONNECTION      |                 | PISTON SIZE <sup>2</sup> | SHIP WEIGHT (LBS) |
|------------|--------------------|-----|--------------------|--------|--------------------|--------------------|-----------------|-----------------|--------------------------|-------------------|
|            | D                  | W   | H                  | D      | H                  |                    | LIQUID          | SUCTION         |                          |                   |
| CHPF1824A6 | 21 $\frac{1}{8}$ " | 26" | 14"                | 19"    | 13"                | 1 $\frac{1}{2}$ -2 | $\frac{3}{8}$ " | $\frac{3}{4}$ " | .059                     | 36                |
| CHPF2430B6 | 21 $\frac{1}{8}$ " | 26" | 17 $\frac{1}{2}$ " | 19"    | 16 $\frac{1}{2}$ " | 2-2 $\frac{1}{2}$  | $\frac{3}{8}$ " | $\frac{3}{4}$ " | .065                     | 55                |
| CHPF3636B6 | 21 $\frac{1}{8}$ " | 26" | 17 $\frac{1}{2}$ " | 19"    | 16 $\frac{1}{2}$ " | 3                  | $\frac{3}{8}$ " | $\frac{3}{4}$ " | .074                     | 50                |
| CHPF3642C6 | 21 $\frac{1}{8}$ " | 26" | 21"                | 19"    | 20"                | 3-3 $\frac{1}{2}$  | $\frac{3}{8}$ " | $\frac{3}{4}$ " | .076                     | 63                |
| CHPF3743C6 | 21 $\frac{1}{8}$ " | 26" | 21"                | 19"    | 20"                | 3-3 $\frac{1}{2}$  | $\frac{3}{8}$ " | $\frac{7}{8}$ " | .076                     | 63                |
| CHPF4860D6 | 21 $\frac{1}{8}$ " | 26" | 24 $\frac{1}{2}$ " | 19"    | 23 $\frac{1}{2}$ " | 4-5                | $\frac{3}{8}$ " | $\frac{7}{8}$ " | .093                     | 77                |

<sup>1</sup> (ft<sup>2</sup>)

<sup>2</sup> Shipped with Coil

Note: For a properly matched system and piston sizing information, refer to the piston kit chart of the corresponding outdoor unit.

DIMENSIONS







**SPECIFICATIONS**

| MODEL      | CAPACITY (TONS) | EVAP COIL FACE AREA <sup>1</sup> | CONNECTION SIZE |         | PISTON SIZE <sup>2</sup> | SHIP WEIGHT (LBS) |
|------------|-----------------|----------------------------------|-----------------|---------|--------------------------|-------------------|
|            |                 |                                  | LIQUID          | SUCTION |                          |                   |
| CSCF1824N6 | 1½-2            | 3½                               | ¾"              | ¾"      | .059                     | 43                |
| CSCF3036N6 | 2½-3            | 4½                               | ¾"              | 7⁄8"    | .074                     | 52.5              |
| CSCF3642N6 | 3-3½            | 5½                               | ¾"              | 7⁄8"    | .078                     | 43                |
| CSCF4860N6 | 4-5             | 5½                               | ¾"              | 7⁄8"    | .093                     | 60                |

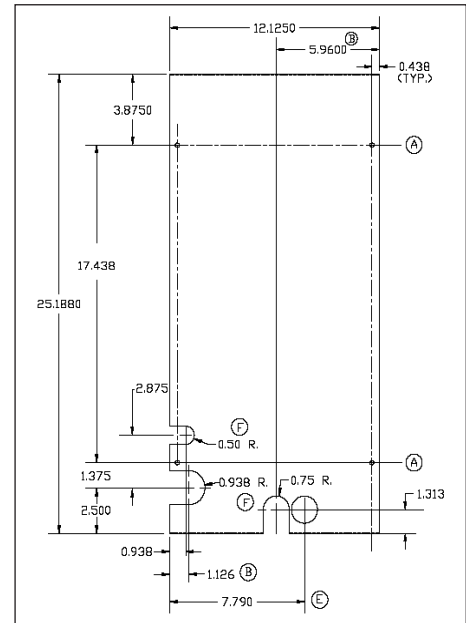
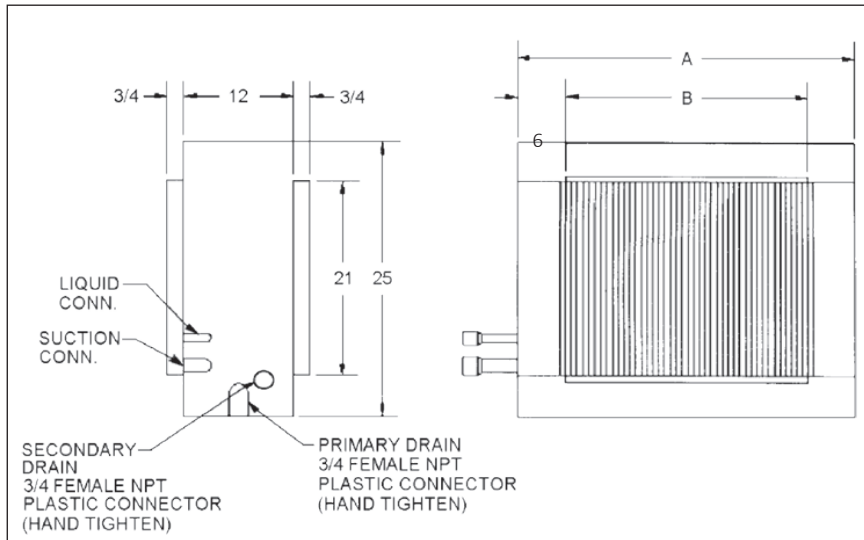
<sup>1</sup> (ft<sup>2</sup>)

<sup>2</sup> Shipped with Coil

Note: For a properly matched system and piston sizing information, refer to the piston kit chart of the corresponding outdoor unit.

**DIMENSIONS**

| MODEL      | UNIT DIMENSIONS |     |     | PLENUM OPENING |     |
|------------|-----------------|-----|-----|----------------|-----|
|            | D (A)           | W   | H   | D (B)          | H   |
| CSCF1824N6 | 25½"            | 12" | 25" | 16"            | 21" |
| CSCF3036N6 | 33½"            | 12" | 25" | 24"            | 21" |
| CSCF3642N6 | 39½"            | 12" | 25" | 30"            | 21" |
| CSCF4860N6 | 39½"            | 12" | 25" | 30"            | 21" |



**DETAIL OF ACCESS DOOR**

SPECIFICATIONS

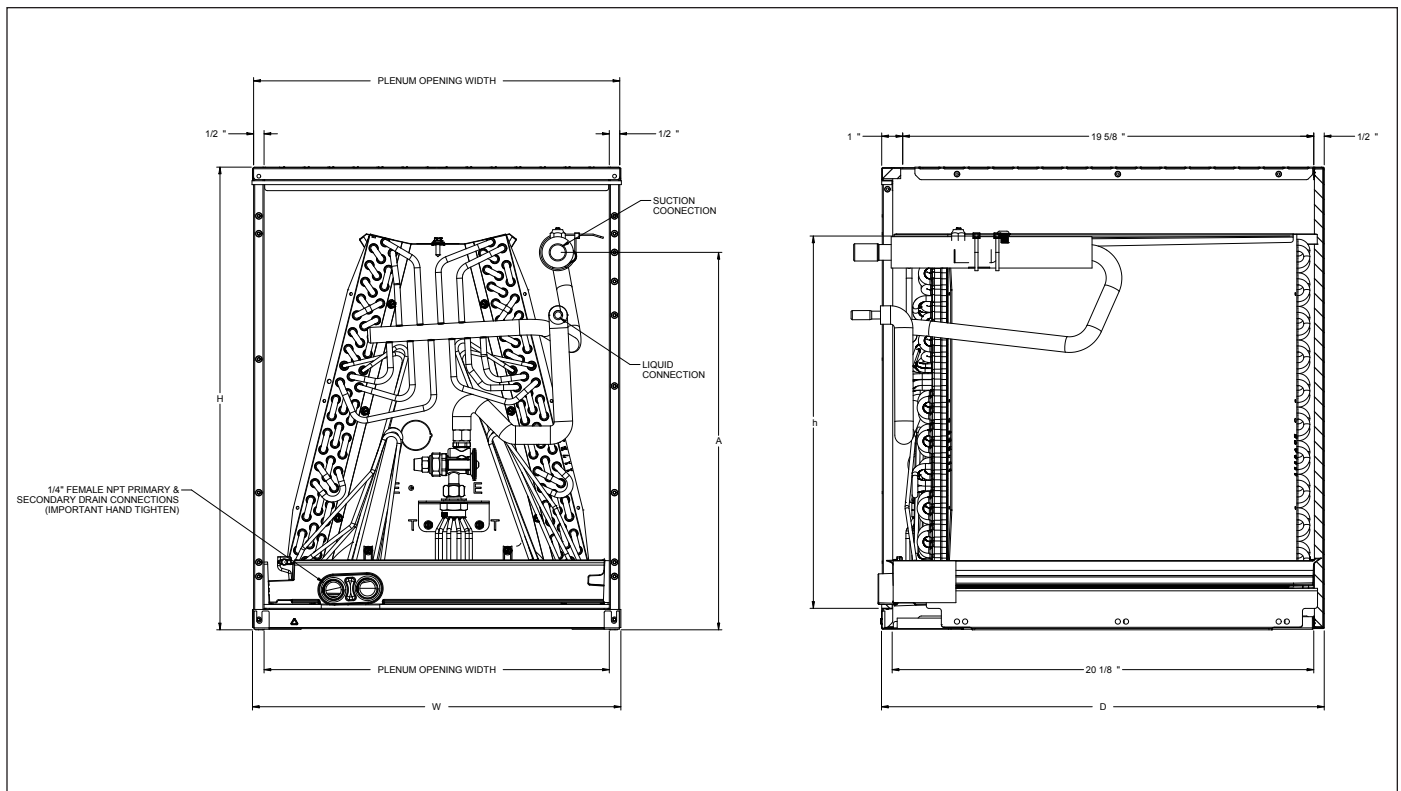
| MODEL       | CABINET DIMENSIONS |     |     | NOMINAL TONS | CONNECTION |         | SHIP WEIGHT (LBS) |
|-------------|--------------------|-----|-----|--------------|------------|---------|-------------------|
|             | W                  | D   | H   |              | LIQUID     | SUCTION |                   |
| CAPTA1818A4 | 14"                | 21" | 18" | 1.5          | 3/8"       | 3/4"    | 36                |
| CAPTA1818B4 | 17.5"              | 21" | 18" | 1.5          | 3/8"       | 3/4"    | 41                |
| CAPTA2422A4 | 14"                | 21" | 22" | 2            | 3/8"       | 3/4"    | 44                |
| CAPTA2422B4 | 17.5"              | 21" | 22" | 2            | 3/8"       | 3/4"    | 48                |
| CAPTA2422C4 | 21"                | 21" | 22" | 2            | 3/8"       | 3/4"    | 53                |
| CAPTA3022A4 | 14"                | 21" | 22" | 2.5          | 3/8"       | 3/4"    | 44                |
| CAPTA3022B4 | 17.5"              | 21" | 22" | 2.5          | 3/8"       | 3/4"    | 48                |
| CAPTA3022C4 | 21"                | 21" | 22" | 2.5          | 3/8"       | 3/4"    | 53                |
| CAPTA3026B4 | 17.5"              | 21" | 26" | 2.5          | 3/8"       | 7/8"    | 50                |
| CAPTA3026C4 | 21"                | 21" | 26" | 2.5          | 3/8"       | 7/8"    | 52                |
| CAPTA3626B4 | 17.5"              | 21" | 26" | 3            | 3/8"       | 7/8"    | 54                |
| CAPTA3626C4 | 21"                | 21" | 26" | 3            | 3/8"       | 7/8"    | 57                |
| CAPTA4230C4 | 21"                | 21" | 30" | 3.5          | 3/8"       | 7/8"    | 63                |
| CAPTA4230D4 | 24.5"              | 21" | 30" | 3.5          | 3/8"       | 7/8"    | 66                |

<sup>1</sup> (ft<sup>2</sup>)

<sup>2</sup> Shipped with Coil

Note: For a properly matched system and piston sizing information, refer to the piston kit chart of the corresponding outdoor unit.

DIMENSIONS



AIR QUANTITY (SCFM) VS. PRESSURE DROP (IN. WC)

|                               | SCFM | 400   | 500   | 600   | 700   | 800   | 900   | 1000  | 1100  | 1200  | 1300  | 1400  | 1500  |
|-------------------------------|------|-------|-------|-------|-------|-------|-------|-------|-------|-------|-------|-------|-------|
| CA*FA1714A6*                  | Wet  | 0.120 | 0.180 | 0.250 | 0.330 | 0.410 | 0.500 | 0.600 | 0.710 | 0.820 | ---   | ---   | ---   |
|                               | Dry  | 0.100 | 0.150 | 0.200 | 0.270 | 0.340 | 0.420 | 0.520 | 0.610 | 0.720 | ---   | ---   | ---   |
| CA*FA1714B6*                  | Wet  | 0.100 | 0.150 | 0.210 | 0.280 | 0.340 | 0.420 | 0.500 | 0.580 | 0.660 | ---   | ---   | ---   |
|                               | Dry  | 0.080 | 0.130 | 0.170 | 0.230 | 0.290 | 0.360 | 0.420 | 0.500 | 0.650 | ---   | ---   | ---   |
| CA*FA1818A6*/<br>CA*FA2318A6* | Wet  | 0.110 | 0.160 | 0.220 | 0.290 | 0.370 | 0.460 | 0.550 | 0.650 | 0.760 | 0.830 | 0.950 | 1.080 |
|                               | Dry  | 0.074 | 0.100 | 0.132 | 0.168 | 0.220 | 0.264 | 0.317 | 0.377 | 0.434 | 0.503 | 0.584 | 0.667 |
| CA*FA1818B6*/<br>CA*FA2318B6* | Wet  | 0.100 | 0.140 | 0.190 | 0.250 | 0.310 | 0.380 | 0.450 | 0.530 | 0.610 | 0.670 | 0.770 | 0.870 |
|                               | Dry  | 0.066 | 0.087 | 0.115 | 0.144 | 0.175 | 0.218 | 0.260 | 0.301 | 0.347 | 0.401 | 0.460 | 0.521 |
| CA*FA1818C6/<br>CA*FA2318C6*  | Wet  | 0.093 | 0.130 | 0.172 | 0.221 | 0.275 | 0.335 | 0.400 | 0.471 | 0.548 | 0.631 | 0.719 | 0.813 |
|                               | Dry  | 0.064 | 0.086 | 0.110 | 0.139 | 0.170 | 0.205 | 0.243 | 0.284 | 0.328 | 0.376 | 0.427 | 0.481 |
| CA*F1824A6*                   | Wet  | 0.071 | 0.099 | 0.142 | 0.183 | 0.230 | 0.280 | 0.331 | 0.389 | ---   | ---   | ---   | ---   |
|                               | Dry  | 0.062 | 0.090 | 0.122 | 0.154 | 0.189 | 0.231 | 0.278 | 0.331 | 0.390 | ---   | ---   | ---   |
| CA*F1824B6*                   | Wet  | 0.021 | 0.032 | 0.049 | 0.071 | 0.089 | 0.120 | 0.128 | 0.159 | 0.190 | ---   | ---   | ---   |
|                               | Dry  | 0.011 | 0.022 | 0.029 | 0.041 | 0.052 | 0.069 | 0.078 | 0.101 | 0.120 | ---   | ---   | ---   |
| CA*F1824C6*                   | Wet  | 0.017 | 0.025 | 0.043 | 0.061 | 0.079 | 0.107 | 0.114 | 0.140 | 0.164 | ---   | ---   | ---   |
|                               | Dry  | 0.011 | 0.017 | 0.024 | 0.035 | 0.044 | 0.063 | 0.075 | 0.094 | 0.113 | ---   | ---   | ---   |
| CA*FA1818C6*                  | Wet  | 0.093 | 0.130 | 0.172 | 0.221 | 0.275 | 0.335 | 0.400 | 0.471 | 0.548 | 0.631 | 0.719 | 0.813 |
|                               | Dry  | 0.064 | 0.086 | 0.110 | 0.139 | 0.170 | 0.205 | 0.243 | 0.284 | 0.328 | 0.376 | 0.427 | 0.481 |
|                               | SCFM | 400   | 500   | 600   | 700   | 800   | 900   | 1000  | 1100  | 1200  | 1300  | 1400  | 1500  |
| CA*FA2422A6*                  | Wet  | 0.091 | 0.128 | 0.181 | 0.240 | 0.304 | 0.374 | 0.454 | 0.541 | 0.635 | 0.733 | 0.837 | 0.958 |
|                               | Dry  | 0.084 | 0.112 | 0.148 | 0.191 | 0.241 | 0.299 | 0.366 | 0.440 | 0.522 | 0.611 | 0.704 | 0.803 |
| CA*FA2422B6*                  | Wet  | 0.084 | 0.117 | 0.155 | 0.199 | 0.249 | 0.304 | 0.364 | 0.430 | 0.502 | 0.578 | 0.661 | 0.748 |
|                               | Dry  | 0.055 | 0.077 | 0.102 | 0.130 | 0.162 | 0.196 | 0.234 | 0.276 | 0.320 | 0.368 | 0.419 | 0.473 |
| CA*FA2422C6*                  | Wet  | 0.064 | 0.091 | 0.120 | 0.153 | 0.189 | 0.228 | 0.269 | 0.314 | 0.361 | 0.411 | 0.464 | 0.520 |
|                               | Dry  | 0.055 | 0.074 | 0.095 | 0.119 | 0.146 | 0.175 | 0.207 | 0.242 | 0.280 | 0.320 | 0.363 | 0.408 |
| CA*FA2922A6*                  | Wet  | 0.091 | 0.128 | 0.181 | 0.240 | 0.304 | 0.374 | 0.454 | 0.541 | 0.635 | 0.733 | 0.837 | 0.958 |
|                               | Dry  | 0.084 | 0.112 | 0.148 | 0.191 | 0.241 | 0.299 | 0.366 | 0.440 | 0.522 | 0.611 | 0.704 | 0.803 |
| CA*FA2922B6*                  | Wet  | 0.084 | 0.117 | 0.155 | 0.199 | 0.249 | 0.304 | 0.364 | 0.430 | 0.502 | 0.578 | 0.661 | 0.748 |
|                               | Dry  | 0.055 | 0.077 | 0.102 | 0.130 | 0.162 | 0.196 | 0.234 | 0.276 | 0.320 | 0.368 | 0.419 | 0.473 |
| CA*FA2922C6*                  | Wet  | 0.064 | 0.091 | 0.120 | 0.153 | 0.189 | 0.228 | 0.269 | 0.314 | 0.361 | 0.411 | 0.464 | 0.520 |
|                               | Dry  | 0.055 | 0.074 | 0.095 | 0.119 | 0.146 | 0.175 | 0.207 | 0.242 | 0.280 | 0.320 | 0.363 | 0.408 |
|                               | SCFM | 400   | 500   | 600   | 700   | 800   | 900   | 1000  | 1100  | 1200  | 1300  | 1400  | 1500  |
| CA*FA3022A6*                  | Wet  | 0.091 | 0.128 | 0.181 | 0.240 | 0.304 | 0.374 | 0.454 | 0.541 | 0.635 | 0.733 | 0.837 | 0.958 |
|                               | Dry  | 0.084 | 0.112 | 0.148 | 0.191 | 0.241 | 0.299 | 0.366 | 0.440 | 0.522 | 0.611 | 0.704 | 0.803 |
| CA*FA3022B6*                  | Wet  | 0.084 | 0.117 | 0.155 | 0.199 | 0.249 | 0.304 | 0.364 | 0.430 | 0.502 | 0.578 | 0.661 | 0.748 |
|                               | Dry  | 0.055 | 0.077 | 0.102 | 0.130 | 0.162 | 0.196 | 0.234 | 0.276 | 0.320 | 0.368 | 0.419 | 0.473 |
| CA*FA3022C6*                  | Wet  | 0.064 | 0.091 | 0.120 | 0.153 | 0.189 | 0.228 | 0.269 | 0.314 | 0.361 | 0.411 | 0.464 | 0.520 |
|                               | Dry  | 0.055 | 0.074 | 0.095 | 0.119 | 0.146 | 0.175 | 0.207 | 0.242 | 0.280 | 0.320 | 0.363 | 0.408 |
| CA*FA3022D6*                  | Wet  | 0.064 | 0.089 | 0.118 | 0.149 | 0.184 | 0.222 | 0.262 | 0.306 | 0.353 | 0.402 | 0.455 | 0.511 |
|                               | Dry  | 0.055 | 0.072 | 0.092 | 0.114 | 0.139 | 0.167 | 0.198 | 0.231 | 0.267 | 0.306 | 0.348 | 0.392 |
|                               | SCFM | 400   | 500   | 600   | 700   | 800   | 900   | 1000  | 1100  | 1200  | 1300  | 1400  | 1500  |
| CA*FA3526B6*                  | Wet  | 0.067 | 0.085 | 0.109 | 0.136 | 0.167 | 0.203 | 0.244 | 0.288 | 0.337 | 0.390 | 0.447 | 0.508 |
|                               | Dry  | 0.045 | 0.061 | 0.080 | 0.103 | 0.130 | 0.159 | 0.193 | 0.229 | 0.269 | 0.313 | 0.360 | 0.410 |
| CA*FA3526C6*                  | Wet  | 0.057 | 0.079 | 0.103 | 0.132 | 0.163 | 0.199 | 0.237 | 0.280 | 0.325 | 0.374 | 0.427 | 0.483 |
|                               | Dry  | 0.041 | 0.056 | 0.072 | 0.091 | 0.112 | 0.134 | 0.159 | 0.185 | 0.214 | 0.245 | 0.277 | 0.312 |
| CA*FA3626B6*                  | Wet  | 0.067 | 0.085 | 0.109 | 0.136 | 0.167 | 0.203 | 0.244 | 0.288 | 0.337 | 0.390 | 0.447 | 0.508 |
|                               | Dry  | 0.045 | 0.061 | 0.080 | 0.103 | 0.130 | 0.159 | 0.193 | 0.229 | 0.269 | 0.313 | 0.360 | 0.410 |
| CA*FA3626C6*                  | Wet  | 0.057 | 0.079 | 0.103 | 0.132 | 0.163 | 0.199 | 0.237 | 0.280 | 0.325 | 0.374 | 0.427 | 0.483 |
|                               | Dry  | 0.041 | 0.056 | 0.072 | 0.091 | 0.112 | 0.134 | 0.159 | 0.185 | 0.214 | 0.245 | 0.277 | 0.312 |
| CA*FA3626D6*                  | Wet  | 0.055 | 0.076 | 0.099 | 0.124 | 0.152 | 0.182 | 0.215 | 0.250 | 0.288 | 0.328 | 0.370 | 0.415 |
|                               | Dry  | 0.042 | 0.055 | 0.070 | 0.088 | 0.108 | 0.130 | 0.154 | 0.180 | 0.208 | 0.239 | 0.271 | 0.306 |
| CA*FA4226B6*                  | Wet  | 0.046 | 0.064 | 0.087 | 0.113 | 0.144 | 0.171 | 0.211 | 0.255 | 0.299 | 0.345 | 0.395 | 0.450 |
|                               | Dry  | 0.015 | 0.038 | 0.063 | 0.089 | 0.117 | 0.146 | 0.180 | 0.217 | 0.255 | 0.297 | 0.342 | 0.393 |
| CA*FA4226C6*                  | Wet  | 0.059 | 0.068 | 0.082 | 0.100 | 0.121 | 0.147 | 0.176 | 0.208 | 0.243 | 0.281 | 0.321 | 0.364 |
|                               | Dry  | 0.033 | 0.046 | 0.061 | 0.077 | 0.095 | 0.116 | 0.138 | 0.162 | 0.187 | 0.215 | 0.244 | 0.276 |
| CA*FA4226D6*                  | Wet  | 0.035 | 0.055 | 0.076 | 0.097 | 0.118 | 0.140 | 0.162 | 0.186 | 0.211 | 0.236 | 0.262 | 0.291 |
|                               | Dry  | NA    | NA    | NA    | 0.023 | 0.051 | 0.078 | 0.105 | 0.131 | 0.157 | 0.183 | 0.210 | 0.237 |

AIR QUANTITY (SCFM) VS. PRESSURE DROP (IN. WC)

|              | SCFM | 600   | 700   | 800   | 900   | 1000  | 1100  | 1200  | 1300  | 1400  | 1500  |       |       |       |       |       |       |       |
|--------------|------|-------|-------|-------|-------|-------|-------|-------|-------|-------|-------|-------|-------|-------|-------|-------|-------|-------|
| CA*F3030A6*  | Wet  | 0.151 | 0.173 | 0.204 | 0.238 | 0.267 | 0.281 | 0.326 | 0.380 | 0.406 | 0.451 | ---   | ---   | ---   |       |       |       |       |
|              | Dry  | 0.069 | 0.083 | 0.117 | 0.132 | 0.148 | 0.183 | 0.206 | 0.239 | 0.290 | 0.338 | ---   | ---   | ---   |       |       |       |       |
| CA*F3030B6*  | Wet  | 0.090 | 0.120 | 0.150 | 0.180 | 0.210 | 0.240 | 0.280 | 0.330 | 0.370 | 0.420 | ---   | ---   | ---   |       |       |       |       |
|              | Dry  | 0.080 | 0.100 | 0.130 | 0.150 | 0.180 | 0.210 | 0.250 | 0.280 | 0.320 | 0.360 | ---   | ---   | ---   |       |       |       |       |
| CA*F3030C6*  | Wet  | 0.071 | 0.087 | 0.120 | 0.134 | 0.155 | 0.180 | 0.209 | 0.249 | 0.284 | 0.328 | ---   | ---   | ---   |       |       |       |       |
|              | Dry  | 0.050 | 0.067 | 0.098 | 0.113 | 0.135 | 0.169 | 0.189 | 0.213 | 0.245 | 0.275 | ---   | ---   | ---   |       |       |       |       |
| CA*F3030D6*  | Wet  | 0.069 | 0.078 | 0.090 | 0.108 | 0.136 | 0.168 | 0.206 | 0.244 | 0.288 | 0.337 | ---   | ---   | ---   |       |       |       |       |
|              | Dry  | 0.029 | 0.043 | 0.070 | 0.082 | 0.098 | 0.125 | 0.141 | 0.153 | 0.177 | 0.200 | ---   | ---   | ---   |       |       |       |       |
|              | SCFM | 600   | 700   | 800   | 900   | 1000  | 1100  | 1200  | 1300  | 1400  | 1500  | 1600  |       |       |       |       |       |       |
| CA*F3131B26* | Wet  | 0.041 | 0.049 | 0.061 | 0.078 | 0.090 | 0.113 | 0.131 | 0.140 | 0.162 | 0.178 | 0.210 | ---   | ---   | ---   |       |       |       |
|              | Dry  | 0.021 | 0.031 | 0.039 | 0.048 | 0.061 | 0.072 | 0.079 | 0.091 | 0.110 | 0.122 | 0.141 | ---   | ---   | ---   |       |       |       |
| CA*F3131C6*  | Wet  | 0.035 | 0.036 | 0.038 | 0.051 | 0.059 | 0.073 | 0.087 | 0.094 | 0.110 | 0.125 | 0.145 | ---   | ---   | ---   |       |       |       |
|              | Dry  | 0.014 | 0.022 | 0.028 | 0.036 | 0.045 | 0.054 | 0.061 | 0.068 | 0.081 | 0.091 | 0.108 | ---   | ---   | ---   |       |       |       |
|              | SCFM | 600   | 700   | 800   | 900   | 1000  | 1100  | 1200  | 1300  | 1400  | 1500  | 1600  | 1700  | 1800  | 1900  | 2000  | 2100  |       |
| CA*F3137B6*  | Wet  | 0.090 | 0.110 | 0.140 | 0.170 | 0.200 | 0.230 | 0.270 | 0.300 | 0.350 | 0.390 | 0.440 | 0.5   | 0.550 | 0.620 | 0.670 | 0.740 | ---   |
|              | Dry  | 0.080 | 0.100 | 0.130 | 0.160 | 0.190 | 0.220 | 0.250 | 0.290 | 0.340 | 0.380 | 0.430 | 0.48  | 0.530 | 0.590 | 0.660 | 0.710 | ---   |
|              | SCFM | 600   | 700   | 800   | 900   | 1000  | 1100  | 1200  | 1300  | 1400  | 1500  | 1600  | 1700  | 1800  | 1900  | 2000  | 2100  | 2200  |
| CA*F3636A6*  | Wet  | 0.135 | 0.170 | 0.220 | 0.280 | 0.310 | 0.380 | 0.450 | 0.530 | 0.610 | 0.690 | 0.790 | 0.870 | 0.910 | 0.950 | 1.030 | 1.130 | 1.190 |
|              | Dry  | 0.130 | 0.160 | 0.200 | 0.230 | 0.280 | 0.320 | 0.380 | 0.450 | 0.520 | 0.590 | 0.670 | 0.710 | 0.790 | 0.870 | 0.970 | 1.060 | 1.160 |
| CA*F3636B6*  | Wet  | 0.115 | 0.135 | 0.170 | 0.180 | 0.220 | 0.260 | 0.300 | 0.350 | 0.400 | 0.460 | 0.520 | 0.570 | 0.600 | 0.660 | 0.720 | 0.790 | 0.850 |
|              | Dry  | 0.110 | 0.130 | 0.160 | 0.170 | 0.210 | 0.240 | 0.270 | 0.330 | 0.370 | 0.420 | 0.470 | 0.520 | 0.550 | 0.610 | 0.660 | 0.720 | 0.770 |
| CA*F3636C6*  | Wet  | 0.100 | 0.120 | 0.160 | 0.170 | 0.210 | 0.250 | 0.290 | 0.340 | 0.380 | 0.430 | 0.480 | 0.540 | 0.550 | 0.610 | 0.670 | 0.720 | 0.780 |
|              | Dry  | 0.090 | 0.110 | 0.130 | 0.140 | 0.160 | 0.180 | 0.220 | 0.250 | 0.280 | 0.320 | 0.350 | 0.370 | 0.410 | 0.450 | 0.490 | 0.530 | 0.570 |
| CA*F3636D6*  | Wet  | 0.095 | 0.115 | 0.140 | 0.150 | 0.170 | 0.200 | 0.230 | 0.270 | 0.310 | 0.350 | 0.390 | 0.430 | 0.460 | 0.500 | 0.560 | 0.620 | 0.660 |
|              | Dry  | 0.090 | 0.110 | 0.130 | 0.140 | 0.160 | 0.190 | 0.220 | 0.240 | 0.270 | 0.300 | 0.340 | 0.380 | 0.410 | 0.440 | 0.490 | 0.530 | 0.580 |
|              | SCFM | 600   | 700   | 800   | 900   | 1000  | 1100  | 1200  | 1300  | 1400  | 1500  | 1600  | 1700  | 1800  | 1900  |       |       |       |
| CA*F3642C6*  | Wet  | 0.075 | 0.090 | 0.110 | 0.120 | 0.140 | 0.170 | 0.200 | 0.230 | 0.260 | 0.290 | 0.330 | 0.360 | 0.380 | 0.420 | ---   | ---   | ---   |
|              | Dry  | 0.070 | 0.080 | 0.100 | 0.110 | 0.130 | 0.150 | 0.170 | 0.200 | 0.230 | 0.250 | 0.280 | 0.310 | 0.330 | 0.370 | ---   | ---   | ---   |
| CA*F3642D6*  | Wet  | 0.070 | 0.090 | 0.110 | 0.124 | 0.140 | 0.160 | 0.190 | 0.210 | 0.240 | 0.270 | 0.300 | 0.330 | 0.350 | 0.380 | ---   | ---   | ---   |
|              | Dry  | 0.060 | 0.080 | 0.090 | 0.100 | 0.110 | 0.130 | 0.150 | 0.170 | 0.190 | 0.220 | 0.240 | 0.260 | 0.280 | 0.300 | ---   | ---   | ---   |
|              | SCFM | 800   | 900   | 1000  | 1100  | 1200  | 1300  | 1400  | 1500  | 1600  | 1700  | 1800  | 1900  | 2000  | 2100  |       |       |       |
| CA*F3743C6*  | Wet  | 0.083 | 0.093 | 0.113 | 0.133 | 0.143 | 0.163 | 0.183 | 0.213 | 0.243 | 0.263 | 0.293 | 0.323 | 0.353 | 0.383 | ---   | ---   | ---   |
|              | Dry  | 0.073 | 0.083 | 0.103 | 0.113 | 0.133 | 0.153 | 0.163 | 0.193 | 0.213 | 0.233 | 0.263 | 0.293 | 0.313 | 0.343 | ---   | ---   | ---   |
| CA*F3743D6*  | Wet  | 0.074 | 0.080 | 0.089 | 0.107 | 0.120 | 0.129 | 0.138 | 0.169 | 0.188 | 0.209 | 0.229 | 0.251 | 0.273 | 0.279 | ---   | ---   | ---   |
|              | Dry  | 0.046 | 0.056 | 0.074 | 0.076 | 0.086 | 0.107 | 0.110 | 0.126 | 0.147 | 0.160 | 0.176 | 0.196 | 0.210 | 0.230 | ---   | ---   | ---   |
|              | SCFM | 1000  | 1100  | 1200  | 1300  | 1400  | 1500  | 1600  | 1700  | 1800  | 1900  | 2000  | 2100  | 2200  |       |       |       |       |
| CA*F4860C6*  | Wet  | 0.167 | 0.191 | 0.219 | 0.244 | 0.266 | 0.299 | 0.355 | 0.370 | 0.413 | 0.454 | 0.498 | 0.586 | 0.643 | ---   | ---   | ---   |       |
|              | Dry  | 0.160 | 0.177 | 0.194 | 0.206 | 0.246 | 0.264 | 0.264 | 0.265 | 0.290 | 0.309 | 0.364 | 0.389 | 0.604 | ---   | ---   | ---   |       |
| CA*F4860D6*  | Wet  | 0.138 | 0.156 | 0.177 | 0.196 | 0.226 | 0.247 | 0.275 | 0.298 | 0.327 | 0.349 | 0.395 | 0.460 | 0.487 | ---   | ---   | ---   |       |
|              | Dry  | 0.126 | 0.138 | 0.157 | 0.176 | 0.187 | 0.200 | 0.205 | 0.210 | 0.230 | 0.250 | 0.280 | 0.300 | 0.419 | ---   | ---   | ---   |       |
|              | SCFM | 1000  | 1100  | 1200  | 1300  | 1400  | 1500  | 1600  | 1700  | 1800  | 1900  | 2000  | 2100  | 2200  |       |       |       |       |
| CA*F4961C6*  | Wet  | 0.209 | 0.233 | 0.255 | 0.286 | 0.308 | 0.341 | 0.397 | 0.412 | 0.455 | 0.496 | 0.540 | 0.628 | 0.643 | ---   | ---   | ---   |       |
|              | Dry  | 0.202 | 0.219 | 0.236 | 0.248 | 0.288 | 0.306 | 0.306 | 0.307 | 0.332 | 0.351 | 0.406 | 0.431 | 0.604 | ---   | ---   | ---   |       |
| CA*F4961D6*  | Wet  | 0.140 | 0.158 | 0.179 | 0.198 | 0.228 | 0.249 | 0.277 | 0.300 | 0.329 | 0.351 | 0.397 | 0.462 | 0.487 | ---   | ---   | ---   |       |
|              | Dry  | 0.128 | 0.140 | 0.159 | 0.178 | 0.189 | 0.202 | 0.206 | 0.212 | 0.232 | 0.252 | 0.282 | 0.302 | 0.419 | ---   | ---   | ---   |       |

AIR QUANTITY (SCFM) VS. PRESSURE DROP (IN. WC)

CAPT

|                    | SCFM | 600   | 700   | 800   | 900   | 1000  | 1100  | 1200  | 1300  | 1400  | 1500  | 1600  | 1700  | 1800  | 1900  | 2000  | 2100 | 2200 |  |
|--------------------|------|-------|-------|-------|-------|-------|-------|-------|-------|-------|-------|-------|-------|-------|-------|-------|------|------|--|
| <b>CAPT3131B4*</b> | Wet  | 0.041 | 0.049 | 0.061 | 0.078 | 0.090 | 0.113 | 0.131 | 0.140 | 0.162 | 0.178 | 0.210 |       |       |       |       |      |      |  |
|                    | Dry  | 0.021 | 0.031 | 0.039 | 0.048 | 0.061 | 0.072 | 0.079 | 0.091 | 0.110 | 0.122 | 0.141 |       |       |       |       |      |      |  |
| <b>CAPT3131C4*</b> | Wet  | 0.035 | 0.036 | 0.038 | 0.051 | 0.059 | 0.073 | 0.087 | 0.094 | 0.110 | 0.125 | 0.145 |       |       |       |       |      |      |  |
|                    | Dry  | 0.014 | 0.022 | 0.028 | 0.036 | 0.045 | 0.054 | 0.061 | 0.068 | 0.081 | 0.091 | 0.108 |       |       |       |       |      |      |  |
| <b>CAPT3743C4*</b> | Wet  | 0.083 | 0.093 | 0.113 | 0.133 | 0.143 | 0.163 | 0.183 | 0.213 | 0.243 | 0.263 | 0.293 | 0.323 | 0.353 | 0.383 | 0.423 |      |      |  |
|                    | Dry  | 0.073 | 0.083 | 0.103 | 0.113 | 0.133 | 0.153 | 0.163 | 0.193 | 0.213 | 0.233 | 0.263 | 0.293 | 0.313 | 0.343 | 0.373 |      |      |  |
| <b>CAPT3743D4*</b> | Wet  | 0.074 | 0.080 | 0.089 | 0.107 | 0.120 | 0.129 | 0.138 | 0.169 | 0.188 | 0.209 | 0.229 | 0.251 | 0.273 | 0.279 | 0.306 |      |      |  |
|                    | Dry  | 0.046 | 0.056 | 0.070 | 0.076 | 0.086 | 0.107 | 0.110 | 0.126 | 0.147 | 0.160 | 0.176 | 0.196 | 0.210 | 0.230 | 0.253 |      |      |  |
| <b>CAPT4961C4*</b> | Wet  | 0.209 | 0.233 | 0.255 | 0.286 | 0.308 | 0.341 | 0.397 | 0.412 | 0.455 | 0.496 | 0.540 | 0.628 | 0.643 |       |       |      |      |  |
|                    | Dry  | 0.202 | 0.219 | 0.236 | 0.248 | 0.288 | 0.300 | 0.306 | 0.315 | 0.332 | 0.351 | 0.406 | 0.431 | 0.604 |       |       |      |      |  |
| <b>CAPT4961D4*</b> | Wet  | 0.140 | 0.158 | 0.179 | 0.198 | 0.228 | 0.249 | 0.277 | 0.300 | 0.329 | 0.351 | 0.397 | 0.462 | 0.487 |       |       |      |      |  |
|                    | Dry  | 0.128 | 0.140 | 0.159 | 0.178 | 0.189 | 0.202 | 0.206 | 0.212 | 0.232 | 0.252 | 0.282 | 0.302 | 0.419 |       |       |      |      |  |

CSCF

|                     | SCFM | 500   | 600   | 700   | 800   | 900   | 1000  | 1100  | 1200  | 1300  | 1400  | 1500  | 1600  | 1700  | 1800  | 1900  | 2000  | 2100  | 2200    |  |
|---------------------|------|-------|-------|-------|-------|-------|-------|-------|-------|-------|-------|-------|-------|-------|-------|-------|-------|-------|---------|--|
| <b>CSCF1824N6D*</b> | Wet  | 0.104 | 0.143 | 0.176 | 0.212 | 0.255 | 0.292 | 0.321 | 0.344 |       |       |       |       |       |       |       |       |       |         |  |
|                     | Dry  | 0.048 | 0.067 | 0.086 | 0.108 | 0.132 | 0.159 | 0.186 | 0.206 |       |       |       |       |       |       |       |       |       |         |  |
| <b>CSCF3036N6D*</b> | Wet  | ---   | ---   | ---   | 0.062 | 0.076 | 0.109 | 0.131 | 0.156 | 0.186 | 0.209 |       |       |       |       |       |       |       |         |  |
|                     | Dry  | ---   | ---   | ---   | 0.032 | 0.043 | 0.055 | 0.068 | 0.082 | 0.114 | 0.131 |       |       |       |       |       |       |       |         |  |
| <b>CSCF3642N6D*</b> | Wet  | ---   | ---   | ---   | 0.045 | 0.063 | 0.081 | 0.099 | 0.116 | 0.132 | 0.148 | 0.166 | 0.183 | 0.202 | 0.220 | 0.236 | 0.259 | 0.278 | 0.291   |  |
|                     | Dry  | ---   | ---   | ---   | 0.039 | 0.051 | 0.064 | 0.077 | 0.092 | 0.105 | 0.121 | 0.138 | 0.150 | 0.175 | 0.191 | 0.214 | 0.230 | 0.251 | 0.262   |  |
| <b>CSCF4860N6D*</b> | Wet  | ---   | ---   | ---   | 0.051 | 0.068 | 0.085 | 0.103 | 0.120 | 0.137 | 0.154 | 0.173 | 0.192 | 0.212 | 0.233 | 0.255 | 0.278 | 0.299 | 0.319   |  |
|                     | Dry  | ---   | ---   | ---   | 0.043 | 0.056 | 0.069 | 0.084 | 0.099 | 0.115 | 0.132 | 0.149 | 0.167 | 0.185 | 0.207 | 0.227 | 0.249 | 0.272 | 0.282** |  |

\*\* Maximum SCFM = 2146

AIR QUANTITY (SCFM) VS. PRESSURE DROP (IN. WC)

|                     | SCFM | 600   | 700   | 800   | 900   | 1000  | 1100  | 1200  | 1300  | 1400  |       |       |       |       |       |       |
|---------------------|------|-------|-------|-------|-------|-------|-------|-------|-------|-------|-------|-------|-------|-------|-------|-------|
| <b>CHPF 1824A6*</b> | Wet  | 0.132 | 0.179 | 0.222 | 0.272 | 0.327 | 0.381 | 0.456 | 0.522 | 0.605 |       |       |       |       |       |       |
|                     | Dry  | 0.126 | 0.165 | 0.206 | 0.249 | 0.302 | 0.354 | 0.414 | 0.478 | 0.563 |       |       |       |       |       |       |
|                     | SCFM | 600   | 700   | 800   | 900   | 1000  | 1100  | 1200  | 1300  | 1400  | 1500  | 1600  |       |       |       |       |
| <b>CHPF2430B6*</b>  | Wet  | 0.106 | 0.124 | 0.152 | 0.184 | 0.218 | 0.258 | 0.301 | 0.350 | 0.406 | 0.460 | 0.514 |       |       |       |       |
| <b>CHPE2430B4*</b>  | Dry  | 0.101 | 0.122 | 0.145 | 0.174 | 0.209 | 0.247 | 0.288 | 0.333 | 0.381 | 0.428 | 0.484 |       |       |       |       |
|                     | SCFM | 600   | 700   | 800   | 900   | 1000  | 1100  | 1200  | 1300  | 1400  | 1500  | 1600  |       |       |       |       |
| <b>CHPF3636B6*</b>  | Wet  | 0.107 | 0.131 | 0.167 | 0.199 | 0.239 | 0.291 | 0.338 | 0.389 | 0.439 | 0.494 | 0.552 |       |       |       |       |
| <b>CHPE3636B4*</b>  | Dry  | 0.102 | 0.126 | 0.152 | 0.184 | 0.220 | 0.259 | 0.303 | 0.349 | 0.401 | 0.458 | 0.516 |       |       |       |       |
|                     | SCFM | 800   | 900   | 1000  | 1100  | 1200  | 1300  | 1400  | 1500  | 1600  | 1700  | 1800  | 1900  | 2000  | 2100  | 2200  |
| <b>CHPF3642C6*</b>  | Wet  | 0.083 | 0.103 | 0.126 | 0.151 | 0.178 | 0.208 | 0.240 | 0.274 | 0.310 | 0.346 | 0.383 | ---   | ---   | ---   | ---   |
| <b>CHPE3642C4*</b>  | Dry  | 0.073 | 0.096 | 0.120 | 0.144 | 0.169 | 0.196 | 0.224 | 0.254 | 0.286 | 0.319 | 0.354 | ---   | ---   | ---   | ---   |
| <b>CHPF3642D6*</b>  | Wet  | 0.040 | 0.050 | 0.060 | 0.070 | 0.080 | 0.080 | 0.090 | 0.100 | 0.110 | 0.120 | 0.120 | 0.130 | 0.150 | 0.160 | 0.180 |
|                     | Dry  | 0.030 | 0.040 | 0.040 | 0.050 | 0.060 | 0.070 | 0.080 | 0.085 | 0.090 | 0.100 | 0.110 | 0.120 | 0.140 | 0.150 | 0.160 |
|                     | SCFM | 800   | 900   | 1000  | 1100  | 1200  | 1300  | 1400  | 1500  | 1600  | 1700  | 1800  | 1900  | 2000  | 2100  | 2200  |
| <b>CHPF3743C6*</b>  | Wet  | 0.133 | 0.153 | 0.176 | 0.201 | 0.228 | 0.258 | 0.290 | 0.324 | 0.360 | 0.396 | 0.433 | ---   | ---   | ---   | ---   |
| <b>CHPE3743C4*</b>  | Dry  | 0.123 | 0.146 | 0.170 | 0.194 | 0.219 | 0.246 | 0.274 | 0.304 | 0.336 | 0.369 | 0.404 | ---   | ---   | ---   | ---   |
| <b>CHPF3743D6*</b>  | Wet  | 0.101 | 0.105 | 0.115 | 0.125 | 0.145 | 0.165 | 0.195 | 0.215 | 0.235 | 0.265 | 0.295 | 0.315 | 0.355 | 0.375 | 0.405 |
| <b>CHPE3743D4*</b>  | Dry  | 0.072 | 0.095 | 0.105 | 0.115 | 0.135 | 0.155 | 0.185 | 0.205 | 0.225 | 0.255 | 0.275 | 0.305 | 0.335 | 0.365 | 0.395 |
|                     | SCFM | 900   | 1000  | 1100  | 1200  | 1300  | 1400  | 1500  | 1600  | 1700  | 1800  | 1900  | 2000  | 2100  | 2200  |       |
| <b>CHPF4860D6*</b>  | Wet  | 0.111 | 0.131 | 0.151 | 0.171 | 0.191 | 0.211 | 0.231 | 0.261 | 0.291 | 0.321 | 0.361 | 0.391 | 0.431 | 0.471 |       |
| <b>CHPE4860D4*</b>  | Dry  | 0.101 | 0.121 | 0.141 | 0.161 | 0.181 | 0.201 | 0.221 | 0.251 | 0.281 | 0.311 | 0.341 | 0.371 | 0.411 | 0.441 |       |

AIR QUANTITY (SCFM) VS. PRESSURE DROP (IN. WC)

|                       | SCFM | 400   | 500   | 600   | 700   | 800   | 900   | 1000  | 1100  | 1200  |       |     |     |     |
|-----------------------|------|-------|-------|-------|-------|-------|-------|-------|-------|-------|-------|-----|-----|-----|
| <b>CAPTA 1818A4**</b> | Wet  | 0.080 | 0.135 | 0.205 | 0.275 | 0.346 | 0.422 | 0.516 | 0.620 | 0.715 | ---   | --- | --- | --- |
|                       | Dry  | 0.074 | 0.115 | 0.180 | 0.239 | 0.297 | 0.368 | 0.443 | 0.543 | 0.638 | ---   | --- | --- | --- |
| <b>CAPTA 1818B4**</b> | Wet  | 0.067 | 0.106 | 0.165 | 0.215 | 0.261 | 0.317 | 0.372 | 0.425 | 0.482 | ---   | --- | --- | --- |
|                       | Dry  | 0.050 | 0.087 | 0.125 | 0.175 | 0.215 | 0.265 | 0.319 | 0.381 | 0.444 | ---   | --- | --- | --- |
|                       | SCFM | 500   | 600   | 700   | 800   | 900   | 1000  | 1100  | 1200  | 1300  |       |     |     |     |
| <b>CAPTA 2422A4**</b> | Wet  | 0.108 | 0.150 | 0.195 | 0.250 | 0.310 | 0.379 | 0.460 | 0.543 | 0.625 | ---   | --- | --- | --- |
|                       | Dry  | 0.088 | 0.125 | 0.170 | 0.215 | 0.265 | 0.320 | 0.385 | 0.440 | 0.535 | ---   | --- | --- | --- |
| <b>CAPTA 2422B4**</b> | Wet  | 0.090 | 0.130 | 0.150 | 0.220 | 0.250 | 0.310 | 0.369 | 0.436 | 0.508 | ---   | --- | --- | --- |
|                       | Dry  | 0.082 | 0.100 | 0.140 | 0.170 | 0.210 | 0.260 | 0.300 | 0.350 | 0.410 | ---   | --- | --- | --- |
| <b>CAPTA 2422C4**</b> | Wet  | 0.091 | 0.110 | 0.139 | 0.172 | 0.205 | 0.245 | 0.285 | 0.335 | 0.387 | ---   | --- | --- | --- |
|                       | Dry  | 0.069 | 0.084 | 0.111 | 0.133 | 0.162 | 0.185 | 0.210 | 0.250 | 0.295 | ---   | --- | --- | --- |
|                       | SCFM | 600   | 700   | 800   | 900   | 1000  | 1100  | 1200  | 1300  | 1400  |       |     |     |     |
| <b>CAPTA 3022A4**</b> | Wet  | 0.150 | 0.195 | 0.250 | 0.310 | 0.379 | 0.460 | 0.543 | 0.625 | 0.730 | ---   | --- | --- | --- |
|                       | Dry  | 0.125 | 0.170 | 0.215 | 0.265 | 0.320 | 0.385 | 0.440 | 0.535 | 0.618 | ---   | --- | --- | --- |
| <b>CAPTA 3022B4**</b> | Wet  | 0.130 | 0.150 | 0.220 | 0.250 | 0.310 | 0.369 | 0.436 | 0.508 | 0.584 | ---   | --- | --- | --- |
|                       | Dry  | 0.100 | 0.140 | 0.170 | 0.210 | 0.260 | 0.300 | 0.350 | 0.410 | 0.480 | ---   | --- | --- | --- |
| <b>CAPTA 3022C4**</b> | Wet  | 0.110 | 0.139 | 0.172 | 0.205 | 0.245 | 0.285 | 0.335 | 0.387 | 0.437 | ---   | --- | --- | --- |
|                       | Dry  | 0.084 | 0.111 | 0.133 | 0.162 | 0.185 | 0.210 | 0.250 | 0.295 | 0.330 | ---   | --- | --- | --- |
| <b>CAPTA 3026B4**</b> | Wet  | 0.115 | 0.150 | 0.190 | 0.229 | 0.270 | 0.310 | 0.365 | 0.420 | 0.475 | ---   | --- | --- | --- |
|                       | Dry  | 0.096 | 0.122 | 0.150 | 0.183 | 0.215 | 0.252 | 0.292 | 0.334 | 0.382 | ---   | --- | --- | --- |
| <b>CAPTA 3026C4**</b> | Wet  | 0.090 | 0.110 | 0.140 | 0.170 | 0.200 | 0.240 | 0.280 | 0.320 | 0.370 | ---   | --- | --- | --- |
|                       | Dry  | 0.080 | 0.100 | 0.120 | 0.150 | 0.180 | 0.210 | 0.240 | 0.260 | 0.300 | ---   | --- | --- | --- |
|                       | SCFM | 800   | 900   | 1000  | 1100  | 1200  | 1300  | 1400  | 1500  | 1600  |       |     |     |     |
| <b>CAPTA 3626B4**</b> | Wet  | 0.134 | 0.167 | 0.204 | 0.245 | 0.290 | 0.338 | 0.389 | 0.444 | 0.485 | ---   | --- | --- | --- |
|                       | Dry  | 0.127 | 0.157 | 0.190 | 0.229 | 0.269 | 0.316 | 0.360 | 0.415 | 0.450 | ---   | --- | --- | --- |
| <b>CAPTA 3626C4**</b> | Wet  | 0.100 | 0.120 | 0.150 | 0.180 | 0.210 | 0.240 | 0.280 | 0.310 | 0.360 | ---   | --- | --- | --- |
|                       | Dry  | 0.080 | 0.100 | 0.130 | 0.150 | 0.170 | 0.200 | 0.230 | 0.270 | 0.300 | ---   | --- | --- | --- |
|                       | SCFM | 1000  | 1100  | 1200  | 1300  | 1400  | 1500  | 1600  | 1700  | 1800  | 1900  |     |     |     |
| <b>CAPTA 4230C4**</b> | Wet  | 0.130 | 0.150 | 0.180 | 0.210 | 0.250 | 0.280 | 0.310 | 0.340 | 0.378 | 0.414 | --- | --- | --- |
|                       | Dry  | 0.110 | 0.132 | 0.156 | 0.181 | 0.208 | 0.237 | 0.270 | 0.300 | 0.335 | 0.372 | --- | --- | --- |
| <b>CAPTA 4230D4**</b> | Wet  | 0.120 | 0.140 | 0.160 | 0.190 | 0.220 | 0.250 | 0.280 | 0.310 | 0.350 | 0.380 | --- | --- | --- |
|                       | Dry  | 0.091 | 0.109 | 0.127 | 0.147 | 0.160 | 0.190 | 0.210 | 0.230 | 0.260 | 0.280 | --- | --- | --- |

**EXPANSION VALVE KITS FOR NON-TXV COILS, NON-EEV COILS**

| KIT NUMBER          | DESCRIPTION     | APPLICATION | REFRIGERANT | TONNAGE:<br>OUTDOOR UNIT |
|---------------------|-----------------|-------------|-------------|--------------------------|
| TXV-30 <sup>2</sup> | Non-bleed Valve | AC Only     | R-410A      | 1½- 2½ Ton               |
| TXV-42 <sup>2</sup> | Non-bleed Valve | AC Only     | R-410A      | 3- 3½ Ton                |
| TXV-48 <sup>2</sup> | Non-bleed Valve | AC Only     | R-410A      | 4 Ton                    |
| TXV-60 <sup>2</sup> | Non-bleed Valve | AC Only     | R-410A      | 5 Ton                    |
| TX2N4A              | Non-bleed Valve | AC or HP    | R-410A      | 1½- 2 Ton                |
| TX3N4               | Non-bleed Valve | AC or HP    | R-410A      | 2½- 3 Ton                |
| TX5N4               | Non-bleed Valve | AC or HP    | R-410A      | 3½- 5 Ton                |

**Note:** Condensing units and heat pumps with reciprocating compressors require the use of start-assist components when used in conjunction with an indoor coil using a non-bleed thermal expansion valve refrigerant metering device.

**HIGH-TEMP DRAIN PAN KITS  
CAUF, CAPF AND CAPT**

| DRAIN PAN KITS | FURNACE SIZE  |
|----------------|---------------|
| HTP-A          | 14" furnaces  |
| HTP-B          | 17½" furnaces |
| HTP-C          | 21" furnaces  |
| HTP-D          | 24½" furnaces |

**DRAIN PAN INSULATION KITS  
FOR CAPEA, CAPFA, & CAUFA**

| KIT NUMBER | CABINET WIDTH |
|------------|---------------|
| DPICX-AB   | 14"           |
| DIPCX-BB   | 17.5"         |
| DIPCX-CB   | 21"           |
| DPICX-DB   | 24.5"         |

**AFTER MARKET ACCESSORY KIT  
FOR HORIZONTAL CASED COIL**

| HORIZONTAL RIGHT COIL ACCESSORY<br>FOR HIGH HUMIDITY ENVIRONMENT: |                         |
|---|-------------------------|
| KIT NUMBER  | CABINET WIDTH           |
| HHCMK01   | All Horizontal cabinets |

**DOWNFLOW KIT FOR CAPE**

| KIT NUMBER | CABINET WIDTH |
|------------|---------------|
| DFKE-001   | 21" , 24½"    |

**DRAIN PAN INSULATION KITS FOR CAPE**

| KIT NUMBER                  | CABINET WIDTH |
|-----------------------------|---------------|
| (a) DPICX-C<br>(b) DPICX-CA | 21"           |
| (a) DPICX-D<br>(b) DPICX-DA | 24½"          |

\* (a) and (b) are compatible.  
(a) being used to depletion (a) by replaced (b).