

MANUFACTURED FOR:  
MITSUBISHI ELECTRIC US, INC.

Air Conditioners

# PAA-A18, 24, 30, 36, 42AA1/BA1/CA1

## INSTALLATION MANUAL

FOR INSTALLER

For safe and correct use, please read this installation manual thoroughly before installing this product.

En

## MANUAL DE INSTALACIÓN

PARA EL INSTALADOR

Para un uso seguro y correcto, lea detenidamente este manual de instalación antes de instalar este producto.

Es

## MANUEL D'INSTALLATION

POUR L'INSTALLATEUR

Pour une utilisation sûre et correcte, veuillez lire attentivement ce manuel d'installation avant d'installer ce produit.

Fr



# Table of Contents

PAA-A18, 24, 30, 36, 42AA1/BA1/CA1 .....	6
1. Warning .....	6
2. System introduction and dimensions .....	7
2.1. System introduction .....	7
2.2. Dimensions .....	9
3. Inspect shipment .....	11
4. Disclaimer .....	12
5. Safety precautions .....	13
5.1. Before installation and electric work .....	13
5.2. Devices that use R410A refrigerant .....	21
5.3. Before getting started .....	22
5.4. Before getting PAA unit installed (moved) - electrical work .....	27
5.5. Before starting the test run .....	29
5.6. After installation and test run .....	30
5.7. To dispose the PAA unit .....	30
6. Indoor unit accessories .....	31
7. Selecting an installation site .....	32
7.1. Basic operation of the PAA unit .....	32
8. Installation .....	33
8.1. Installation clearance .....	33
9. Duct connections .....	35
10. Mount positions .....	36
10.1. TH1 thermistor and NAT thermostat installation .....	36
10.2. Upflow/Downflow installation .....	38
10.3. Horizontal left installation .....	50
10.4. Horizontal right installation .....	57
11. Refrigerant piping work .....	58
11.1. Insulation of refrigerant lines .....	61
11.2. Piping size .....	61
12. Drain connections .....	62
13. Float switch .....	65
14. Installing the control box .....	69
14.1. Control box - cabinet installation .....	70
14.2. Control box - external installation .....	72
15. Electrical wiring .....	73
15.1. Warning and caution .....	73
15.2. Connecting line voltage .....	74
15.3. Electrical settings .....	76
15.4. PAA unit control box .....	77
15.5. Control signals to the furnace .....	80
15.6. PAA unit control options .....	81
15.6.1. MA remote controller .....	82
15.6.2. IT terminal connection options .....	83
15.7. DIP switch for emergency thermostat .....	85
15.8. Balance points .....	88
15.8.1. Economic balance point .....	88
15.8.2. Capacity balance point .....	89
15.8.3. Extended balance point .....	90
15.9. Condensate overflow safety switch connection (CN4F) .....	90

15.10. Energy recovery ventilation (ERV) .....	91
15.10.1. HRV/ERV heating operation for MXZ system .....	92
15.11. Humidifier .....	92
16. Test run .....	94
16.1. Before test run .....	94
16.2. Test run .....	95
16.3. Self check .....	95
16.4. Auto restart function .....	97
17. Cut out gauge .....	98
PAA-A18, 24, 30, 36, 42AA1/BA1/CA1 .....	99
1. Avertissement .....	99
2. Présentation et dimensions du système .....	100
2.1. Présentation du système .....	100
2.2. Dimensions .....	102
3. Contrôler l'expédition .....	104
4. Avis de non-responsabilité .....	105
5. Précautions de sécurité .....	106
5.1. Avant l'installation et les travaux électriques .....	106
5.2. Dispositifs qui utilisent du frigorigène R410A .....	114
5.3. Avant de commencer .....	115
5.4. Avant l'installation de l'unité PAA (déplacement) - travaux électriques .....	120
5.5. Avant de commencer le test .....	122
5.6. Après l'installation et l'essai .....	124
5.7. Pour éliminer l'unité PAA .....	124
6. Accessoires pour l'unité intérieure .....	125
7. Sélection d'un site d'installation .....	126
7.1. Fonctionnement de base de l'unité PAA .....	126
8. Installation .....	127
8.1. Dégagement de l'installation .....	127
9. Connexions des conduits .....	129
10. Positions de montage .....	130
10.1. Installation de la thermistance TH1 et du thermostat NAT .....	130
10.2. Installation à flux ascendant/descendant .....	132
10.3. Installation horizontale à gauche .....	144
10.4. Installation horizontale à droite .....	152
11. Travaux de tuyauterie de réfrigérant .....	153
11.1. Isolation des conduites de réfrigérant .....	156
11.2. Taille de la tuyauterie .....	156
12. Raccords de vidange .....	157
13. Interrupteur à flotteur .....	160
14. Installation de la boîte de commande .....	164
14.1. Boîte de commande - installation d'armoire .....	165
14.2. Boîtier de commande - installation externe .....	167
15. Câblage électrique .....	168
15.1. Avertissement et mise en garde .....	168
15.2. Connexion de la tension de ligne .....	169
15.3. Réglages électriques .....	171
15.4. Boîte de commande de l'unité PAA .....	172
15.5. Signaux de commande vers la chaudière .....	176
15.6. Options de contrôle de l'unité PAA .....	177
15.6.1. Contrôleur à distance MA .....	178

15.6.2. Options de connexion de terminal informatique .....	179
15.7. Commutateur DIP pour thermostat d'urgence .....	181
15.8. Points d'équilibre .....	185
15.8.1. Point d'équilibre économique .....	185
15.8.2. Point d'équilibre de capacité .....	186
15.8.3. Point de solde étendu .....	187
15.9. Connexion de l'interrupteur de sécurité de trop-plein du condensat (CN4F) .....	187
15.10. Ventilation de récupération d'énergie (ERV) .....	188
15.10.1. Réchauffement HRV/ERV pour système MXZ .....	189
15.11. Humidificateur .....	189
16. Test .....	192
16.1. Avant le test .....	192
16.2. Test .....	193
16.3. Auto test .....	193
16.4. Fonction de redémarrage automatique .....	195
17. Jauge de coupe .....	196
PAA-A18, 24, 30, 36, 42AA1/BA1/CA1 .....	197
1. Advertencia .....	197
2. Introducción al sistema y dimensiones .....	198
2.1. Introducción al sistema .....	198
2.2. Dimensiones .....	200
3. Inspeccionar el envío .....	202
4. Descargo de responsabilidad .....	203
5. Precauciones de seguridad .....	204
5.1. Antes de la instalación y el trabajo eléctrico .....	204
5.2. Dispositivos que utilizan refrigerante R410A .....	212
5.3. Antes de comenzar .....	213
5.4. Antes de instalar (mover) la unidad de PAA: trabajo eléctrico .....	219
5.5. Antes de iniciar la prueba .....	221
5.6. Después de la instalación y la ejecución de la prueba .....	223
5.7. Para desechar la unidad PAA .....	223
6. Accesorios de unidad para interiores .....	224
7. Selección de un sitio de instalación .....	225
7.1. Funcionamiento básico de la unidad PAA .....	225
8. Instalación .....	226
8.1. Espacio libre para la instalación .....	226
9. Conexiones de conductos .....	228
10. Posiciones de montaje .....	229
10.1. Instalación del termistor TH1 y termostato NAT .....	229
10.2. Instalación de flujo ascendente/flujo descendente .....	231
10.3. Instalación horizontal izquierda .....	244
10.4. Instalación horizontal derecha .....	251
11. Trabajos sobre la tubería de refrigerante .....	252
11.1. Aislamiento de las líneas de refrigerante .....	255
11.2. Tamaño de la tubería .....	255
12. Conexiones de drenaje .....	256
13. Interruptor flotante .....	259
14. Instalación de la caja de control .....	263
14.1. Caja de control - instalación en el gabinete .....	264
14.2. Caja de control - instalación externa .....	266
15. Cableado eléctrico .....	267

15.1. Advertencias y precauciones .....	267
15.2. Tensión de la línea de conexión .....	268
15.3. Configuración eléctrica .....	270
15.4. Caja de control de la unidad PAA .....	272
15.5. Señales de control al calentador .....	276
15.6. Opciones de control de unidad PAA .....	277
15.6.1. Controlador remoto MA .....	278
15.6.2. Opciones de conexión del terminal de TI .....	279
15.7. Interruptor DIP para termostato de emergencia .....	281
15.8. Puntos de equilibrio .....	285
15.8.1. Punto de equilibrio económico .....	285
15.8.2. Punto de equilibrio de capacidad .....	286
15.8.3. Punto de equilibrio extendido .....	287
15.9. Conexión del interruptor de seguridad de desbordamiento de condensado (CN4F) .....	287
15.10. Ventilación de recuperación de energía (Energy recovery ventilation, ERV) .....	288
15.10.1. Operación de calefacción de HRV/ERV para sistema MXZ .....	289
15.11. Humidificador .....	289
16. Ejecución de prueba .....	292
16.1. Antes de la ejecución de la prueba .....	292
16.2. Ejecución de prueba .....	293
16.3. Autoevaluación .....	293
16.4. Función de reinicio automático .....	295
17. Calibre de corte .....	296

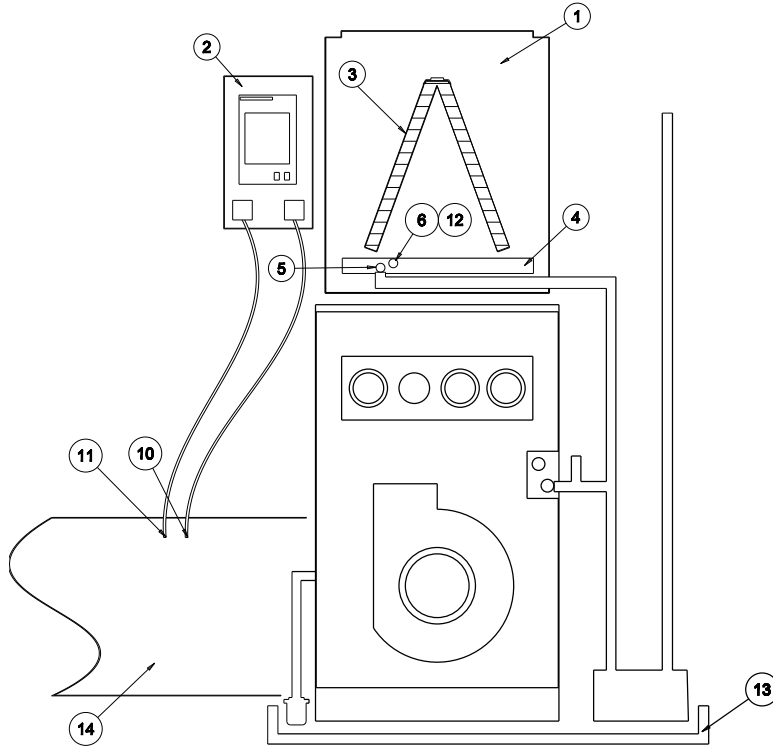
# 1. Warning

- This product should only be installed, repaired, serviced, moved, etc. by personnel with the proper training, qualifications and certifications as required by laws and codes.
- Installation, repair, servicing, moving, etc. by persons without proper training, qualifications and certifications as required by laws and codes, or failure to fully read and follow all safety precautions and instructions in this manual may result in serious bodily injury or death.
- Ensure that you read this manual carefully and follow all warnings, cautions and instructions; failure to do so will result in electric shock, property damage, equipment damage, suffocation, fire, smoke, explosions and poisoning.

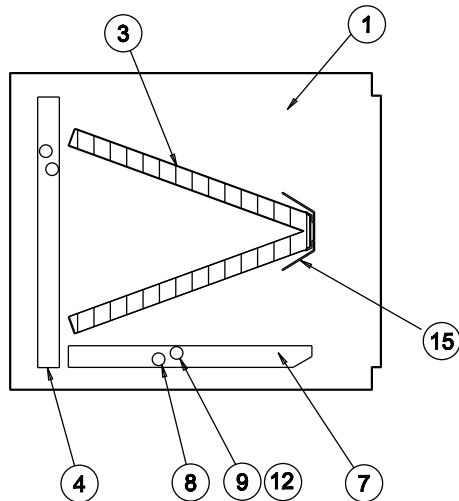
## 2. System introduction and dimensions

### 2.1. System introduction

#### Vertical installations



#### Horizontal installations



1. PAA unit cabinet
2. Control box
3. Heat exchanger (hex)
4. Main drain pan
5. Main drain pan primary drain
6. Main drain pan secondary drain
7. Side drain pan (for horizontal installation)
8. Side drain pan primary drain (for horizontal installation)
9. Side drain pan secondary drain (for horizontal installation)
10. TH1 thermistor
11. ACH065 (Non-Adjustable Thermostat, NAT)
12. Float switch (installed at secondary drain)
13. Auxiliary drain pan (not included with PAA unit)
14. Inlet duct (not included with PAA unit)
15. Top plate (for horizontal installation)



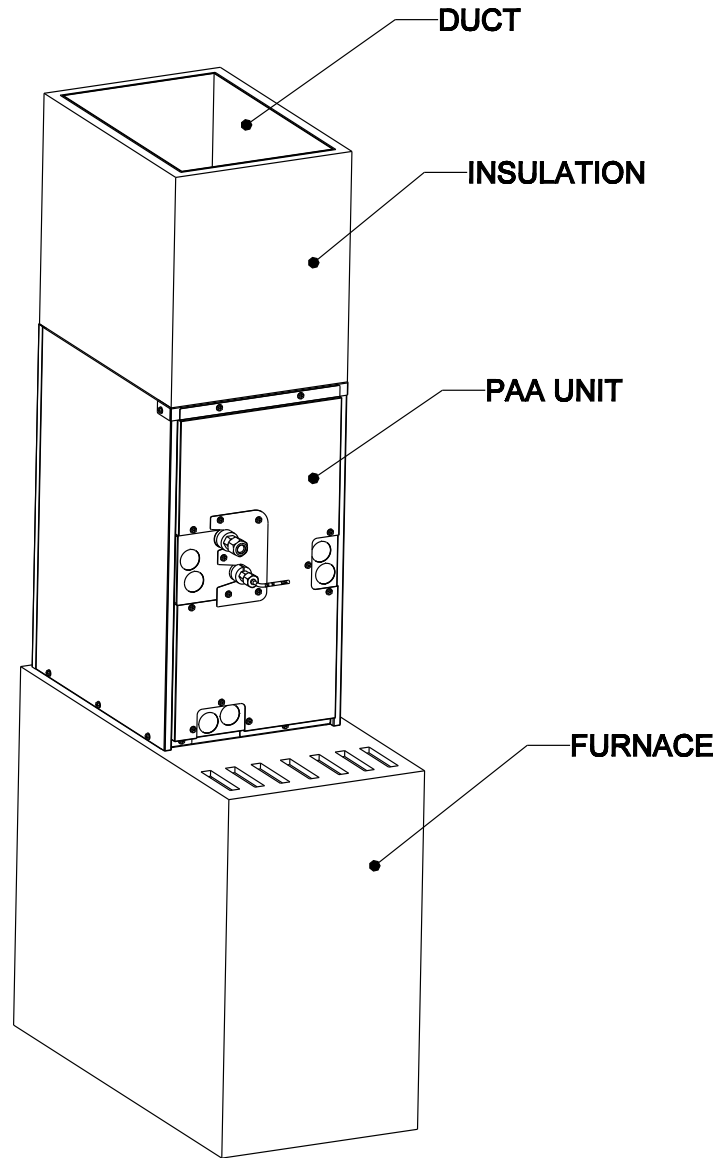
#### NOTE

Items 13 and 14 are for reference only and are not provided by Mitsubishi Electric US, Inc.



**NOTE**

For proper airflow and system performance, only install coils that match within 1" of the furnace width.

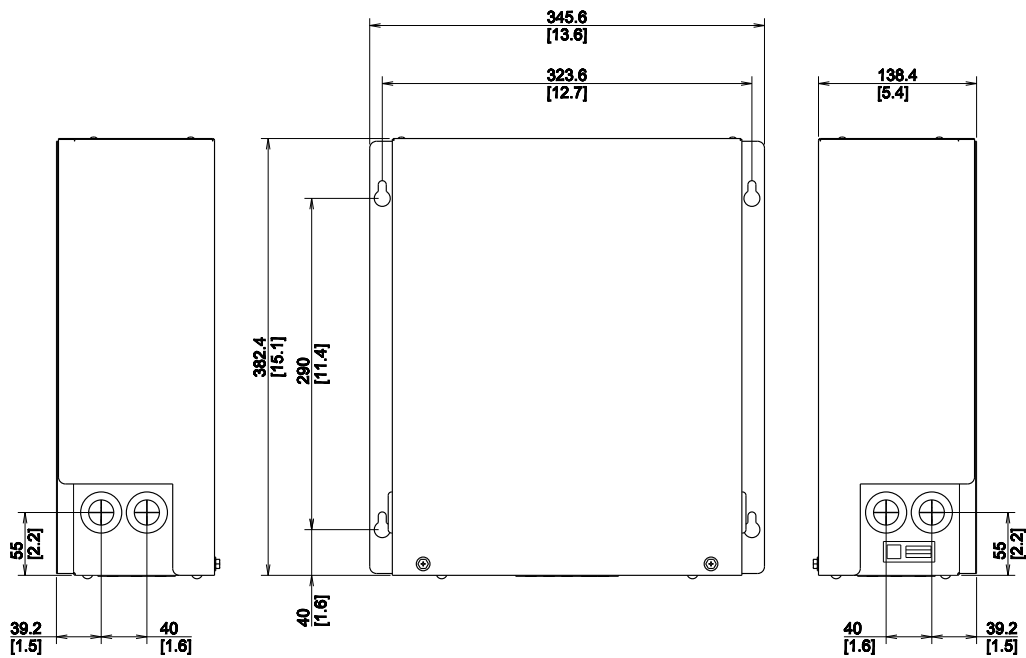






Model	A mm (inches)	B mm (inches)	C mm (inches)	D mm (inches)
PAA-A18AA1	368.3 (14-1/2)	313.1 (12-5/16)	332.7 (13-1/16)	697 (27-7/16)
PAA-A18BA1	445.0 (17-1/2)	390.0 (15-5/16)	409.6 (16-1/8)	697 (27-7/16)
PAA-A24AA1	368.3 (14-1/2)	313.1 (12-5/16)	332.7 (13-1/16)	697 (27-7/16)
PAA-A30AA1	368.3 (14-1/2)	313.1 (12-5/16)	332.7 (13-1/16)	697 (27-7/16)
PAA-A24BA1	445.0 (17-1/2)	390 (15-5/16)	409.6 (16-1/8)	697 (27-7/16)
PAA-A30BA1	445.0 (17-1/2)	390 (15-5/16)	409.6 (16-1/8)	697 (27-7/16)
PAA-A36BA1	445.0 (17-1/2)	390 (15-5/16)	409.6 (16-1/8)	811.6 (32)
PAA-A42BA1	445.0 (17-1/2)	390 (15-5/16)	409.6 (16-1/8)	811.6 (32)
PAA-A36CA1	534.6 (21)	479.4 (18-7/8)	499 (19-5/8)	811.6 (32)
PAA-A42CA1	534.6 (21)	479.4 (18-7/8)	499 (19-5/8)	811.6 (32)

**Control Box**



### 3. Inspect shipment

PAA units are completely factory assembled, and all components are performance tested. Each unit consists of a refrigerant coil in an insulated, galvanized steel factory enclosure, controls in a galvanized steel factory enclosure, and accessories (list of items included in the accessories bag is detailed in "Indoor unit accessories" chapter). Knockouts are provided for drainpipe connections in horizontal orientation installation. Check the unit rating plate to confirm specifications are as ordered. Upon receipt of equipment, carefully inspect it for possible damage. Take special care to examine the unit if the carton is damaged. If damage is found, it should be noted on the carrier's freight bill. Damage claims should be filed with the carrier immediately. Claims of shortages should be filed with the seller within 5 days.

Do not proceed with installation or operation of the PAA unit if any parts or components are damaged. Doing so may result in significant safety risks, including injury, to the installer. Refer to the "Safety guidelines" warning in the "Before installation and electric work" section of the "Safety precautions" chapter for more information.

## 4. Disclaimer

Data and information presented in this document are based on tests and information, which we believe to be reliable. This document is provided for information purposes only and does not constitute a warranty, expressed or implied, including any warranty of merchantability or fitness. The instructions, warnings and cautions in this installation manual are not optional and must be followed in order to ensure proper functionality of the product, and to avoid any injuries or damages to property. It is the installer's responsibility to ensure that the use and installation of this product complies with all applicable national and local building codes.

Manufacturer will not be liable for any damages, structural or otherwise due to the failure to follow the installation requirements listed in this manual.

## 5. Safety precautions

- Before installing the unit, make sure you read all the safety precautions.
- Ensure all precautions are followed.
- Carefully read the labels affixed to the main unit.

Symbols used in the text



### WARNING

Describes precautions that should be observed to prevent danger of injury or death to the user.



### CAUTION

Describes precautions that should be observed to prevent damage to the unit.

### 5.1. Before installation and electric work



### IMPORTANT

The Environmental Protection Agency of the United States (EPA) and Canadian Provincial environmental agencies have issued various regulations regarding the introduction and disposal of refrigerants. Failure to follow these regulations may harm the environment and can lead to the imposition of substantial fines.



### NOTE

The installation of the unit is regulated by the mechanical code adopted by the authority having jurisdiction.



## WARNING

### Risks related to PAA unit installation

- PAA unit must be installed by a dealer, contractor, or technician with certifications required by laws and codes.
  - Improper installation by the installer may result in injury or damage to the unit such as water leakage, electric shock, or fire.
- Install the indoor unit in a place that can withstand its weight.
  - Inadequate strength may cause the unit to fall, resulting in injuries.
- Prepare for typhoons, hurricanes, earthquakes, etc., and install the unit at the specified place.
  - Improper installation may cause the unit to topple and result in injury.
- Prohibit anyone without the proper qualifications from doing repairs. If the PAA unit must be repaired, consult a dealer, contractor or technician with certifications required by laws and codes.
  - If the PAA unit is repaired improperly, water leakage, electric shock, or fire may result.
- Install the PAA unit according to this installation manual.
  - If the unit is installed improperly, water leakage, electric shock, or fire may result.
- Ensure the outdoor unit cover panel is installed correctly. Please refer to the outdoor unit's manual for proper installation.
  - If the terminal cover panel is not installed correctly, dust or water may enter the outdoor unit, which could result in fire or electric shock to the user.
- Ensure that the stop valves of the outdoor unit are opened immediately after connecting the PAA unit to the outdoor unit.
  - The PAA unit or refrigerant pipes may burst because of the high-pressure refrigerant during the furnace's heating operation.
- Due to improper installation of PAA unit (drain pan of this product) or forgetting to install the float switch, the condensed water of the PAA heat exchanger will deviate from the specified path and may cause water to leak on to the heat exchanger of the gas furnace. This may cause gas, oil, and water leakage from the furnace due to corrosion over time. Furthermore, this can lead to poisoning, fire, explosion, water leakage, and bodily harm and damage to property.
- When PAA unit (this product) is supported from the ceiling in a garage or an occupied area, the product may fall due to insufficient strength of the suspension or support, or deterioration over time, etc., causing bodily harm and damage to property. In some cases, it can lead to death.

**WARNING****Electrical risks**

- When sizing wire and completing electrical connections during installation, please follow local codes and standards.
  - Inadequate connections and fastening may generate heat and cause a fire.
- Have all electric work performed by a properly qualified electrician in the state where the electric work is being performed, according to the “National Electrical Code” and local electrical codes, “Interior Wire Regulations” and the instructions provided in this installation manual, and always use a dedicated circuit.
  - If the power source capacity is inadequate or electric work is performed improperly, electric shock or fire may result.
- Keep the electric parts away from water.
  - It might result in electric shock, fire, or smoke.
- Do not reconstruct or change the settings of the protection devices.
  - If the pressure switch, thermal switch, float switch or other protection devices are shorted and operated forcibly, or parts other than those specified by Mitsubishi Electric are used, fire or explosion may result.
- If the supply cord is damaged, it must be replaced by the manufacturer service personnel or licensed person.
- Be sure to ground the outdoor unit in accordance with local code. Do not connect the earth cable to any gas pipe, water pipe, lightning rod, or telephone earth cable.
  - Incomplete grounding may cause a risk of electric shock.

**WARNING****Refrigerant leak risks**

- If refrigerant gas leaks during installation, ventilate the room and do not use the furnace until a technician confirms that it is safe to use the furnace.
  - If the refrigerant gas comes into contact with a flame, poisonous gases will be released. If the odor is detected, contact a dealer, contractor or technician regarding the appropriate measures to prevent the safety limit from being exceeded.
- After completing installation work, make sure that refrigerant gas is not leaking.
  - If the refrigerant gas leaks and is exposed to a fan heater, stove, oven, or another heat source, it may generate noxious gases.
- Do not use refrigerant other than R410A.
  - Doing so may cause the unit or pipes to burst, or result in an explosion during use, repair, or at the time of disposal of the unit.
  - Doing so may also be in violation of applicable laws.
  - The manufacturer, Mitsubishi Electric Corporation, its affiliates and suppliers, cannot be held responsible for malfunctions or accidents resulting from the wrong type of refrigerant used.
- When the outdoor unit stop valve is left closed after installation / service, or when the outdoor unit stop valve is closed due to operation stop, the volume of the liquid refrigerant in the refrigerant piping expands due to the heating operation in the gas furnace, causing coil or local extension piping to rupture.





## WARNING

### Fuel leak risks

- Fuel and combustion gas may flow into the room if the exhaust duct is leaking, there is a gap due to insufficient fixing of the connection part, or if regular maintenance is neglected. As a result, fatal hazards such as poisoning and fire explosion may occur, so regular maintenance is recommended to check for the following:
  - Cracked ducts
  - Clogged ducts
  - Insufficient exhaust capacity or abnormal stop of the exhaust fan of gas furnace
  - Gas leak due to gas furnace heat exchanger failure (including corrosion due to poor installation environment)
  - Incomplete combustion due to gas furnace equipment failure (malfunction / parts \* failure)
    - \* Parts refer to piping, valves, electrical wiring, electrical / electronic parts, sensors, circuit breakers, etc.
  - Short-circuit or ground fault due to ignition, tracking or insufficient insulation of gas furnace parts
  - Damage to internal and external wiring of gas furnace
  - Deterioration of heat resistance, strength, corrosion resistance, insulation, etc. of gas furnace peripheral components
  - Gas furnace protection circuit malfunction
  - Electrical components for electromagnetic noise interference due to normal use over time, parts failure, and/or installation of nearby electrical devices
  - Inadequate confirmation of recalled products from the design / manufacturing year of gas furnace
  - Maintaining an abnormal installation state by overlooking a gas furnace installation error or a red tag
- If our equipment is not installed, used, or maintained as described in the PAA unit installation/operation manual, the following problems may occur. In this case, stop the operation immediately by turning off the power, etc., and ask the dealer or contractor for an inspection. Otherwise, gas leaks can cause poisoning, fire, explosions, water leaks, etc., which can cause serious bodily harm and damage to property.
  - If the installation or operating environment is out of the warranty range, the control box may malfunction, and the gas furnace protection functions may also fail and disable. The effect of the excessive heat generated by the gas furnace can cause cracks in the coil section resulting in refrigerant and oil leaks. Furthermore, poisoning, fire, and explosions may occur from this, doing so can cause bodily harm and damage to property.



## **WARNING**

### **Safety guidelines**

- Follow all safety codes specified in the region where the installation is to take place. Wear appropriate protective equipment such as safety glasses, protective clothing and gloves during installation work such as refrigerant filling, torque wrench use, and unit transportation. Use a quenching cloth and have a fire extinguisher available during brazing operations.
  - Failure to follow safety requirements can result in injury or death or building damage.
- Do not touch the heat exchanger fins.
  - Improper handling may result in injury.
- Never substitute parts or components from other manufacturers when repairing or replacing components in the PAA unit. Never install or operate the PAA unit if any parts or components are damaged.



## WARNING

### Install guidelines

- Read this manual carefully and follow all warnings and cautions provided with this unit. Refer to your local building code and the latest National Electrical Code (NEC) NFPA 70. In Canada, be sure to refer to the latest Canadian Electrical Code CSA C22.1. Also, follow all codes specified by your region.  
We recommend installing a CO sensor and ventilation system.
  - Failure to follow safety requirements can result in injury, death or building damage.
- When moving and reinstalling the PAA unit, consult the dealer, contractor or technician with certifications required by laws and codes.
  - If the air conditioner is installed improperly, water leakage, electric shock, or fire may result.
- Ask a dealer, contractor or technician with certifications as required by laws and codes to install the accessories.
  - Improper installation by the user may result in water leakage, electric shock, or fire.
- Pay attention to the unit installation location. Refrigerant is heavier than air and locations such as basements or crawl spaces where refrigerant can accumulate can become dangerous.
  - Inadequate ventilation can lead to poisoning.
- The appliance is not intended for use by persons with reduced physical, sensory or mental capabilities, or lack of experience and knowledge (including children) unless they have been given supervision or instruction concerning the use of the appliance by a person responsible for their safety.
- **Do not add UV Lights into the PAA unit cabinet or to the attached ductwork.**
  - **UV Lights can cause degradation to plastic and insulation parts. Water leakage, electric shock, or fire may result.**
- If the gas furnace is not certified to safety standards (ANSI Z21.47/CSA2.3) by a nationally recognized third-party certification organization (AGA, UL, CSA, ETL/Intertek, etc.), or if the gas furnace does not comply with ACCA (Air Conditioning Contractors Association) Standards and Guidelines (Code), NFPA54 (National Fuel Gas Code), NFPA70 (NEC: National Electrical Code), and if the equipment is not properly installed, used, and maintained in accordance with the building code for each district (state, county, city, town, etc.), the following hazards may occur even if our equipment is properly designed, installed, and operated.
  - If a leak sensor is not installed in the room, there is a risk of poisoning symptoms and death without noticing a toxic gas leak.
  - Gas fuel has an odor, but if you do not notice it, there is a risk that it can cause poisoning symptoms or an accident, such as a fire or explosion.
  - If the safety of gas furnace, gas supply piping, and exhaust duct worsen due to improper ventilation of the system [ventilation must be in accordance with Law, Standard or Guideline (Code)], or due to aging deterioration or the influence of the usage environment, there is a risk of poisoning symptoms due to combustion gas or igniting fuel gas and causing a fire or explosion.



## CAUTION

### Risks related to PAA unit installation

- When installing and relocating the PAA unit, do not charge it with a refrigerant different from the refrigerant specified on the unit.
  - If a different refrigerant or air is mixed with the original refrigerant, the refrigerant cycle may malfunction and the unit may be damaged. Use only recommended refrigerant specified in outdoor unit (ODU) manual for system operation (ONLY R410A).
- The PAA unit is designed for indoor installation only.
- The PAA unit must be installed downstream (discharge air) side of the furnace.
- Do not alter the cabinet or braze inside the cabinet. Quench all brazed joints with water or a wet rag to avoid overheating after brazing.
  - It may affect the performance of the PAA unit.
- Do not use leak detection additive.
  - ODU and PAA unit parts may be damaged by the refrigerant/additive mixture.

### Refrigerant leak risks

- The installer (technician) shall ensure there is no refrigerant leakage according to local regulations and standards.
  - Refrigerant leakage will affect the performance of the heat pump.

### Install guidelines

- For PAA unit piping connections, use flare connection as the equipment was designed for. Mitsubishi Electric US, Inc. is not responsible for improper brazing connection done by the installer.
  - Improper brazing connections may cause damage to the PAA unit.

## 5.2. Devices that use R410A refrigerant



### CAUTION

#### Install guidelines

- Do not use the existing refrigerant piping.
  - The old refrigerant and refrigerant oil in the existing piping may contain a large amount of contaminants which may cause the refrigerant oil of the new unit to deteriorate.
- Use refrigerant piping made of C12200 (Cu-DHP) phosphorus deoxidized copper as specified in the ASTM B280 Standard Specification for Seamless Copper Tube for Air Conditioning and Refrigeration Field Service. Ensure that the inner and outer surfaces of the pipes are clean and free of hazardous Sulphur, oxides, dust/dirt, shaving particles, oils, moisture or any other contaminants.
  - Contaminants on the inside of the refrigerant piping may cause the refrigerant residual oil to deteriorate.
- Store the piping to be used during installation indoors and keep both ends of the piping sealed until just before brazing. (Store elbows and other joints in a plastic bag.)
  - If dust, dirt, or water enters the refrigerant cycle, deterioration of the oil will result in malfunction of the compressor.
- Do not use a refrigerant other than R410A.
  - If any other refrigerant is used, the contaminants in that refrigerant may cause the refrigerant oil to deteriorate.
  - Since R410A does not contain any chlorine, gas leak detectors for conventional refrigerant will not react to it.
- Use a vacuum pump with a reverse flow check valve.
  - The vacuum pump oil may flow back into the refrigerant cycle and cause the refrigerant oil to deteriorate.
- Do not use the following tools that are used with refrigerants other than R410A:
  - Gauge manifold, charge hose, gas leak detector, reverse flow check valve, refrigerant charge base, vacuum gauge, refrigerant recovery equipment.
- Do not use a charging cylinder.
  - It may cause the refrigerant to deteriorate.
- Always charge refrigerant in a liquid state.
  - Charging refrigerant in the gaseous state will change the composition of the refrigerant and lead to a performance drop.

### 5.3. Before getting started

PAA unit is compatible with P-Series and M-Series systems and is available in the following model combinations.

**PAA unit and ODU compatibility table**

P-Series						
ODU	IDU					Comment
	PAA-A18AA1 PAA-A18BA1	PAA-A24AA1 PAA-A24BA1	PAA-A30AA1 PAA-A30BA1	PAA-A36BA1 PAA-A36CA1	PAA-A42BA1 PAA-A42CA1	
PUY-A18NKA7						No connection allowed
PUY-A24NHA7	✓	✓				
PUY-A30NHA7			✓			
PUY-A36NKA7				✓		
PUY-A42NKA7					✓	
PUZ-A18NKA7						No connection allowed
PUZ-A24NHA7	✓	✓				
PUZ-A30NHA7			✓			
PUZ-A36NKA7				✓		
PUZ-A42NKA7					✓	
PUZ-HA24NHA1		✓				
PUZ-HA30NKA			✓			
PUZ-HA36NKA				✓		
PUZ-HA42NKA1						No connection allowed

ENGLISH

M-Series						
ODU	IDU					Comment
	PAA-A18AA1 PAA-A18BA1	PAA-A24AA1 PAA-A24BA1	PAA-A30AA1 PAA-A30BA1	PAA-A36BA1 PAA-A36CA1	PAA-A42BA1 PAA-A42CA1	
MXZ-3C24NA3	✓					
MXZ-3C30NA3	✓	✓				
MXZ-4C36NA3	✓	✓				
MXZ-5C42NA3	✓	✓				
MXZ-SM36NAM	✓	✓	✓	✓		
MXZ-SM48NAM	✓	✓	✓	✓		
MXZ-SM60NAM	✓	✓	✓	✓		
MXZ-3C24NAHZ3	✓					
MXZ-3C30NAHZ3	✓	✓				
MXZ-SM36NAMHZ	✓	✓	✓	✓		
MXZ-SM42NAMHZ	✓	✓	✓	✓		
MXZ-SM48NAMHZ	✓	✓	✓	✓		

ENGLISH

**PAA-series connection**

**Maximum piping length**

Maximum total piping with PAA connection depends on the number of PAA indoor units connected. Please refer to the table below for the appropriate total maximum piping length the system can be designed to.

**Minimum piping length**

For branch box systems where PAA is the only unit(s) connected, the minimum piping length to each PAA unit from the outdoor unit should be 33 ft.

Model	Total Connected Indoor Capacity (kBtu/h)	Number of PAA units connected			
		No PAA unit connected	1	2	3 or more
MXZ-SM36/48NAM MXZ-SM36/42/48NAMHZ	<27	492 ft (150 m)	492 ft (150 m)	<b>Not able to connect 2 or more PAAs for less than 27 kBtu/h</b>	
	28-54	492 ft (150 m)	341 ft (104 m)	276 ft (84 m)	276 ft (84 m)
	>55	492 ft (150 m)	308 ft (94 m)	243 ft (74 m)	243 ft (74 m)
MXZ-SM60NAM	<27	492 ft (150 m)	492 ft (150 m)	<b>Not able to connect 2 or more PAAs for less than 27 kBtu/h</b>	
	28-54	492 ft (150 m)	408 ft (124 m)	361 ft (110 m)	337 ft (103 m)
	>55	492 ft (150 m)	384 ft (117 m)	337 ft (103 m)	314 ft (96 m)

The above chart is for M-Series. For P-Series, follow guidelines in the P-Series outdoor unit installation manual.



**NOTE**

For extended piping lengths, please refer to Diamond System Builder (DSB).



**PAA unit airflow restriction table**

		IDU				
		PAA-A18AA1 PAA-A18BA1	PAA-A24AA1 PAA-A24BA1	PAA-A30AA1 PAA-A30BA1	PAA-A36BA1 PAA-A36CA1	PAA-A42BA1 PAA-A42CA1
Airflow						
Maximum	CMM	23.0	23.5	29.0	34.0	47.0
	CFM	812	830	1024	1201	1660
Minimum	CMM	12.0	15.6	19.8	22.7	26.5
	CFM	424	551	700	800	936

ENGLISH



**NOTE**

The above airflow restriction is limited to the heat pump operation only.



**WARNING**

- Ensure the gas furnace complies with ANSI-Z21.47/CSA2.3 standards by NRTL 3rd party lab such as AGA, CSA, UL, or ETL/Intertek. Mitsubishi Electric air conditioner/ heat pump system must only be connected with ANSI-Z21.47/CSA2.3 certificated gas furnace.
  - Improper connection may result in poisonous gas, fire, explosion, electric shock or water leak.
- Do not install the PAA unit onto any OIL or DRUM type furnaces.
  - Failure to follow this warning could result in personal injury or death.
- Do NOT install the PAA unit on any furnaces or applications where supply air temperature could exceed 200° F.
  - Failure to follow this warning could result in personal injury or death.
- The PAA unit should only be installed on a furnace with an output capacity no greater than 300% of the rated PAA unit cooling capacity.
  - Failure to follow this warning could result in personal injury or death.

**IMPORTANT**

The furnace fan should be configured such that the airflow is greater than or equal to 350 CFM per ton and less than or equal to 400 CFM per ton of nominal PAA unit cooling capacity.

In downflow orientation, the furnace fan should be configured to maintain an airflow face velocity below 350 ft/min to prevent water blow-off.

**CAUTION**

- Do not use the PAA unit in special environments.
  - Oil, steam, sulfuric smoke, etc. can significantly reduce the performance of the PAA unit or damage its parts.
- Always lock the furnace disconnect switch, if present, in the open position prior to servicing the PAA unit.
- When installing the unit in a hospital, communication station, or similar place, provide sufficient protection against electromagnetic noise.
  - The INVERTER equipment, private power generator, high-frequency medical equipment, or radio communication equipment may cause the PAA unit to operate erroneously, or fail to operate. On the other hand, the PAA unit may affect such equipment by creating electromagnetic noise that disturbs medical treatment of image broadcasting.
- Make sure an auxiliary drain pan is installed to prevent occasional condensation from damaging the building.
- When the room humidity exceeds 80% or when the drain pipe is clogged, condensation may drip from the indoor unit. Perform collective drainage work together with the outdoor unit, as required.
- When the ambient dew point temperature exceeds 73° F (23° C), dew condensation may occur on the unit surface. Perform appropriate treatment, such as duct wrap insulation, to avoid dew condensation.

**NOTE**

Keep this installation manual with the unit. Carefully read all instructions for the installation prior to installing product. Make sure each step or procedure is understood and any special considerations are taken into account before starting installation.

Gather all tools, hardware and supplies needed to complete the installation. Refer to the "System introduction" and "Indoor unit accessories" sections for items that are not included with the PAA unit. Make sure everything needed to install the product is on hand before starting. If the power source capacity is inadequate or electric work is performed improperly, electric shock and fire may result.

**WARNING**

- Failure to follow this warning could result in property damage, severe personal injury, or death: verify the furnace is properly installed according to the gas furnace installation manual and local building codes.

## 5.4. Before getting PAA unit installed (moved) - electrical work

**NOTE**

Ensure the wiring is not pinched or damaged when fitting the control box cover.

**CAUTION**

- Install the drain piping according to this installation manual to ensure proper drainage. Wrap thermal insulation around the pipes to prevent condensation.
  - Improper drain piping may cause water leakage and damage to furniture and other possessions.



## WARNING

- Be sure to ground the PAA unit and outdoor unit.
  - Do not connect the earth cable to any gas pipe, water pipe, lightning rod, or telephone earth cable. Incomplete grounding may cause a risk of electric shock. If the supply cord is damaged, it must be replaced by a dealer, contractor or technician with certifications as required by laws and codes, in order to avoid a hazard.
- Install the power cable so that tension is not applied to the cable.
  - Tension may cause the cable to break and generate heat and cause a fire.
- Install a leak circuit breaker as required.
  - If a leak circuit breaker is not installed, electric shock may result. Use power line cables of sufficient current carrying capacity and rating. Cables that are too small may leak, generate heat, and cause a fire.
- Use power line cables of sufficient current carrying capacity and rating.
  - Cables that are too small may leak, generate heat, and cause a fire.
- When sizing wire and completing electrical connections during installation, please follow local codes and standards.
  - Fuse or circuit breaker of a larger capacity or a steel or copper wire may result in a general unit failure or fire.
- Do not wash the PAA unit.
  - Washing the PAA unit may cause an electric shock.
- Ensure that the installation base is not damaged.
  - If damaged, the unit may fall and cause personal injury or property damage.
- Install the drain piping according to this installation manual to ensure proper drainage. Wrap thermal insulation around the pipes to prevent condensation.
  - Improper drain piping may cause water leakage and damage to furniture and other possessions.
- Be very careful about product transportation.
  - If the product weighs more than 20 kg [44 lb], more than one person should carry the product.
  - Some products use polypropylene band (PP) bands for packaging. Do not use any PP bands for a means of transportation; it is dangerous.
  - Do not touch the heat exchanger fins. Doing so may cut your fingers.
- Safely dispose of the packing materials.
  - Packing materials, such as nails and other metal or wooden parts, may cause stabs or other injuries.
  - Tear apart and throw away plastic packaging bags so that children will not play with them. If children play with a plastic bag which was not torn apart, they face the risk of suffocation.
- Before installing or servicing system, always turn off main power to system. There may be more than one disconnect switch. Tag disconnect switch with a warning label.
  - Failure to follow this warning could result in personal injury or death.
- Always disconnect power to the furnace before removing the blower door.
  - Failure to disconnect power may result in electric shock or injury.
- Label all wires prior to disconnection when servicing controls. Verify proper operation after servicing.
  - Wiring errors can cause improper and dangerous operation.

## 5.5. Before starting the test run



### CAUTION

- Open the stop valves isolating the PAA unit from the outdoor unit before starting operation to avoid refrigerant pipe bursting during furnace operation.
- Turn on the power at least 12 hours before starting operation.
  - Starting operation immediately after turning on the main power switch can result in severe damage to internal parts. Keep the power switch turned on during the operational season.
- Do not turn off the power immediately after stopping operation. Wait at least five minutes before turning off the power.
  - Turning off the power immediately may cause a water to leak.



### WARNING

- Do not touch the switches with wet fingers.
  - Touching a switch with wet fingers can cause electric shock.
- Do not touch the refrigerant pipes during and immediately after operation.
  - During and immediately after operation, the refrigerant pipes may be extremely hot or cold, depending on the condition of the refrigerant flowing through the refrigerant piping, compressor, and other refrigerant cycle parts. Your hands may suffer burns or frostbite if you touch the refrigerant pipes.
- Read the chapters from the "Selecting an installation site" chapter to the "Electrical wiring" chapter carefully before operating the equipment. Do not operate the furnace, PAA unit or outdoor unit with the panel or guard removed.
  - Injury may occur if you touch the rotating fan of the furnace or outdoor unit, high-temperature parts such as compressors and pipes, or high-voltage parts such as terminal blocks.
- Do not store or use gasoline or other flammable vapors and liquids in the vicinity of this or any other appliance.
- What to do if you smell gas?
  - Do not touch any electrical switch.
  - Do not use any phone in your building.
  - Immediately call your gas supplier from a neighboring location.
  - Follow the gas supplier's instructions.
  - If you cannot reach your gas supplier, call the fire department.
  - Do not try to light any appliance.
- Never use an open flame to detect refrigerant leaks. Explosive conditions may occur. Use a leak test sensor or other approved methods for leak testing. Should furnace discharge air supply overheating occur and the gas supply fails to shut off, follow the furnace installation manual to disable the gas and electric supply to the furnace.

## 5.6. After installation and test run



### CAUTION

- When cleaning the heat exchanger and drain pan, ensure water does not get spilled over furnace parts, PAA unit insulation or air duct insulation.
  - Water can cause heat exchanger corrosion and contribute to insulation aging.
- Monitor the building temperature during periods of cold weather. If for any reason your HVAC system should fail to operate, damage such as burst water pipes could result from lack of proper heating to the space.

## 5.7. To dispose the PAA unit



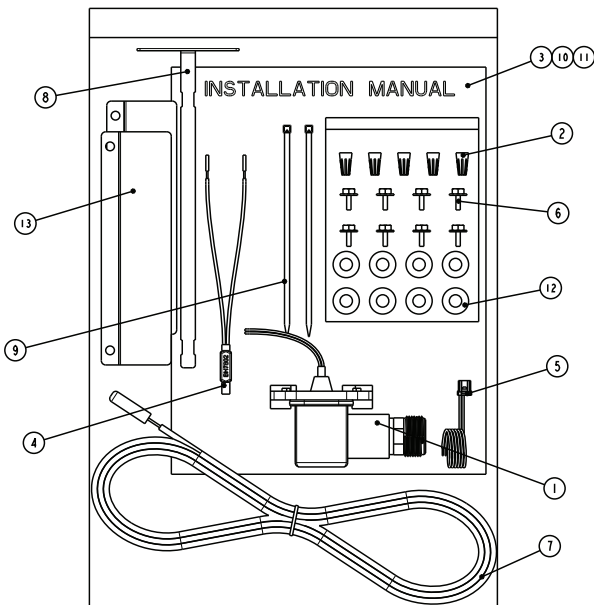
### CAUTION

To dispose of the PAA unit, consult a dealer, contractor or technician with certifications required by laws and codes.

## 6. Indoor unit accessories

The accessories bag contains the following items:

Part No.	Description	Qty
1	Float switch SS2	1
2	Wire nuts	5
3	Installation manual	1
4	ACH065 Thermostat (NAT)	1
5	CN4F wire assembly	1
6	Screws (M5)	8
7	TH1 Thermistor	1
8	Bracket	1
9	Zip ties	2
10	Operation manual	1
11	Troubleshooting guide	1
12	Washers	8
13	U-bend covers	2



L-bracket (not in accessories bag), qty = 1

## 7. Selecting an installation site

- Avoid installing the PAA unit in locations exposed to outside air.
- Select a location that does not obstruct the airflow in and out of the unit.
- Avoid installing the PAA unit and control box in locations that will expose it to steam or vapor.
- Avoid installing the control box near locations where combustible gas or oil may leak, settle, or be generated.
- Avoid installation near machines emitting high-frequency waves (high frequency welders, etc.).
- Avoid installing the PAA unit in locations where the airflow is directed at a fire alarm sensor. (Hot air could trigger the alarm during operation.)
- Avoid installing the PAA unit in places where acidic solutions are frequently used.
- Avoid installing the PAA unit in places where sulphur-based or other sprays are commonly used.
- Ensure sufficient spacing is available for installing auxiliary drain pan whether installing the PAA unit in upflow, downflow, or horizontal left/right positions.
- Ensure sufficient spacing is available for insulation on outlet and inlet ducts to prevent condensation.

### 7.1. Basic operation of the PAA unit

The PAA unit system combines an A-Coil that is mounted on to a furnace with a PAA control box to control the system. The system uses the fan of the attached furnace to operate in Cool mode and while running heat pump in Heat mode. If the system is unable to keep up with the demand for heat, the system switches to furnace operation.



## 8. Installation

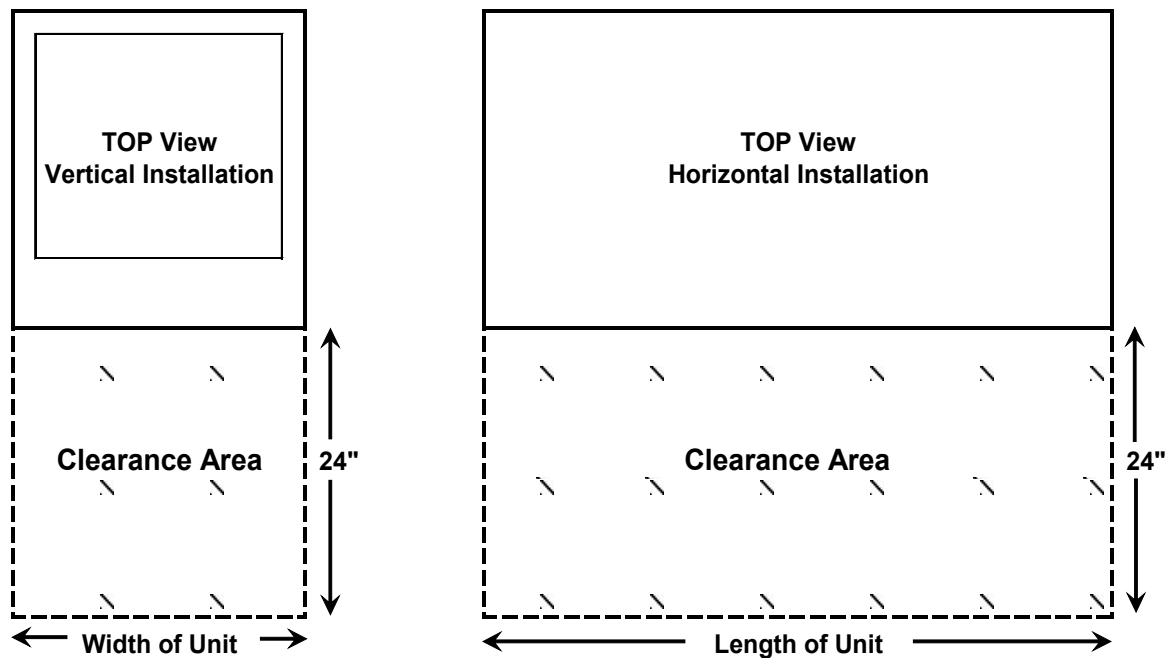
PAA unit shipment contains the following items:

1. Cased coil (includes pre-installed, TH2 / TH5 pipe thermistor assembly)
2. Control box
3. Accessories bag
4. L-bracket

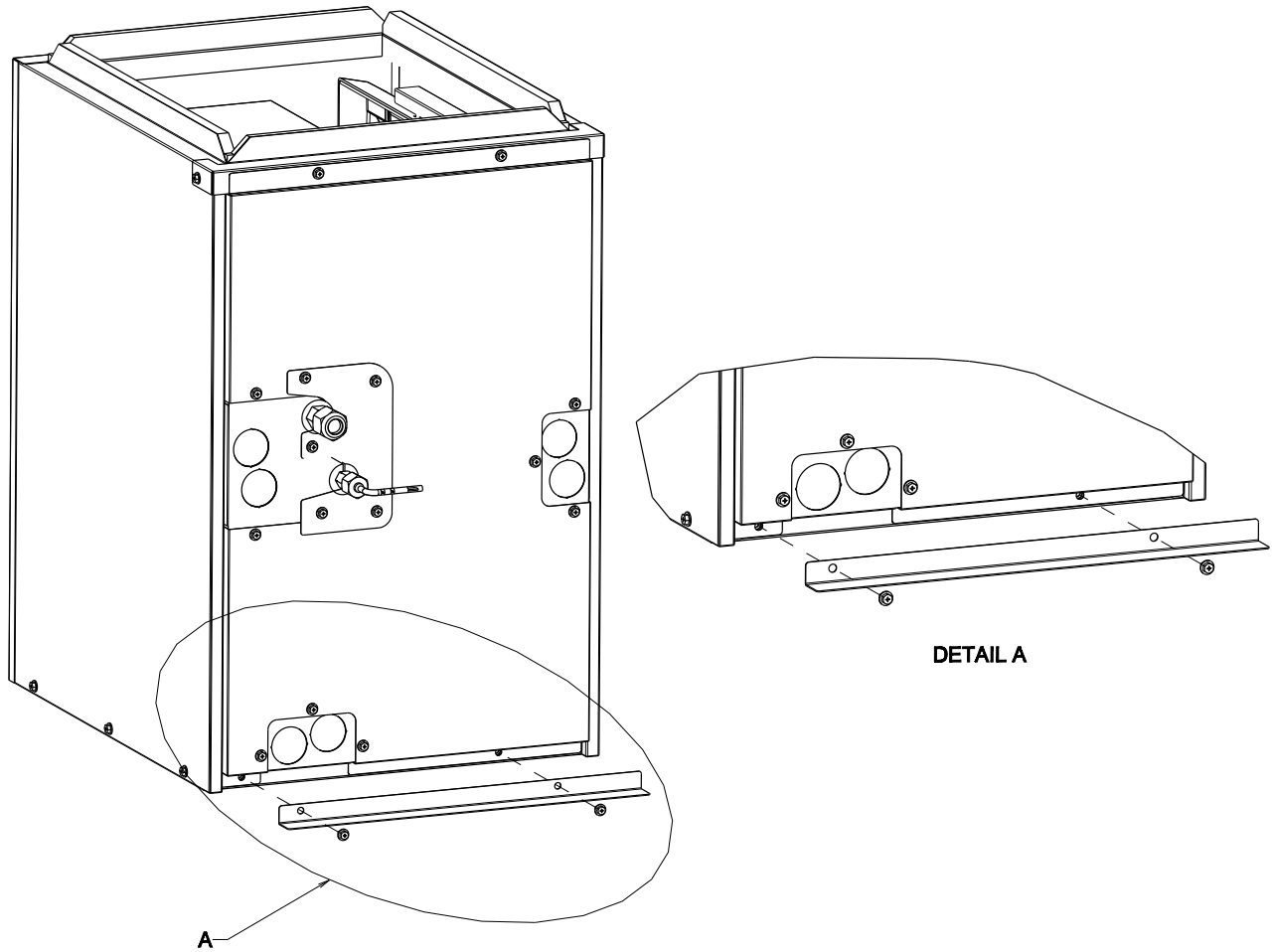
PAA units are shipped factory installed with internal vertical and horizontal drain pans, which can be configured for upflow / downflow, horizontal right or horizontal left configurations. Internal horizontal drain pan is not required for vertical configurations.

In upflow / downflow configurations, aluminum foil tape must be applied to seal the top edge of the insulation to the cabinet. This tape will prevent the possibility of the insulation delaminating and blocking airflow. Coil should be level or pitched slightly toward the drain connection.

### 8.1. Installation clearance

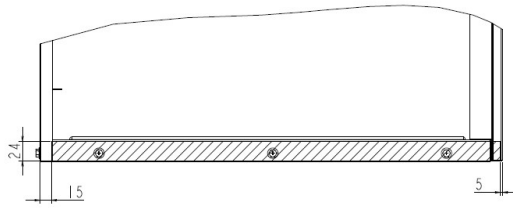


Because of varying furnace opening depths, a gap may be present between the front of the coil and furnace opening. To fill this gap, install the provided L-bracket as shown below . Then form an air-tight seal with aluminum foil tape, approved tape or mastic.

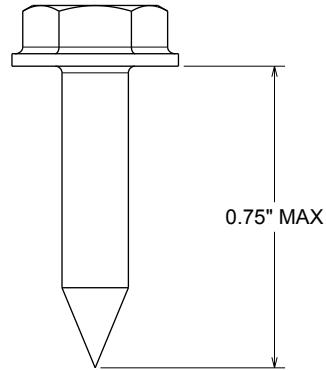


ENGLISH

## 9. Duct connections



Side View



### NOTE

- See the outline drawing in the "Dimensions" section for the size of the duct connection.
- Use flanged ducts for connections to return.
- Do not use sheetmetal screws longer than 0.75" to secure any ductwork to the PAA unit cabinet.



### NOTE

Installer can use screws only in the shaded area indicated above, when connecting to the furnace or return ductwork.



### CAUTION

- Add additional external insulation to prevent surface condensation.
  - Improper installation may cause damage to the unit or surroundings due to condensation.

## 10. Mount positions

PAA unit can be installed in one of the following configurations: upflow, downflow, horizontal right or horizontal left orientation.



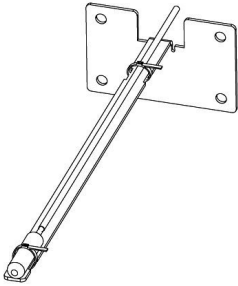
### NOTE

All images displayed in this chapter are for the PAA-A18BA1 (17.5").

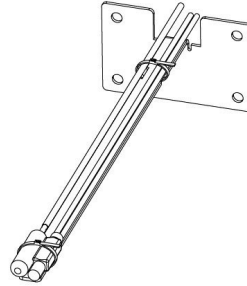
### 10.1. TH1 thermistor and NAT thermostat installation

Where applicable, the TH1 thermistor and NAT thermostat must be installed in the return air duct work with the bracket provided in the accessories bag. Extend NAT wires as needed using field-supplied 20-18 gauge stranded wire and using wire nuts provided in accessories bag.

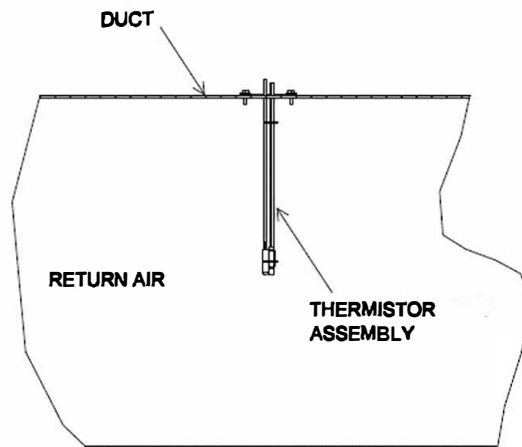
TH1 thermistor installed



TH1 thermistor and NAT thermostat installed



TH1 thermistor and NAT thermostat installed in the return air duct work displayed below:



**CAUTION**

Do not install the TH1 thermistor and NAT thermostat on the discharge side of the gas furnace. This may cause thermistor and/or thermostat failure.

Also, do not install the TH1 thermistor and the NAT near any bypass duct or too close to the furnace. Doing so will cause damage to the TH1 thermistor and the NAT from heat from the furnace.

**NOTE**

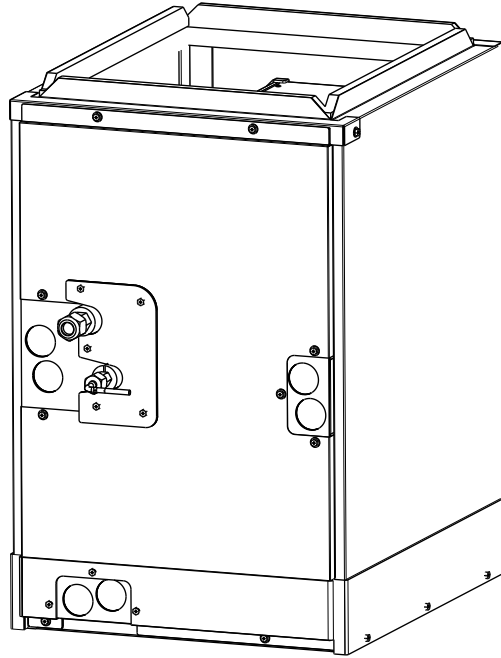
When installing the PAA unit into unconditioned spaces, note that air temperatures in the ductwork (as measured by the return air thermistor) may vary from the space temperature. Where this variance is large, it can affect the system's ability to cool the occupied space down to the minimum cooling set point or heat up to the maximum heating set point.

The following measures can be applied to mitigate the effect of the temperature variance:

- Insulate the ductwork.
- Use a remote controller option with sensing capability.
- Place the return air thermistor as far away from the furnace as possible, avoiding bypass ducts, but taking care to ensure that all return duct branches remain upstream of the thermistor.
- Ensure that the provided mounting bracket is used to position the return air thermistor well within the airstream.
- Adjust fan in thermal off settings to maintain airflow through the cabinet.
- Install PAC-USSEN00(1|2)FM-1 as the return air sensor, placed into the conditioned space.
- Use kumo cloud® in conjunction with the PAC-USWHS003TH-1 wireless temperature and humidity sensor.

## 10.2. Upflow/Downflow installation

The cabinet containing the hex assembly is shipped in the horizontal right configuration. Modifications will need to be made for other desired configurations.



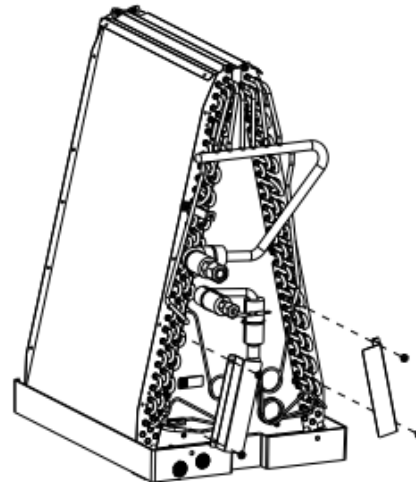
When installing the four large PAA unit models (PAA-A36, 42 BA1/CA1) in the downflow configuration, the two U-bend covers provided in the accessories bag must be installed on the unit. (The two U-bend covers are indicated as Part no. 13 in the accessories bag item list in the Indoor unit accessories section.)

Installing the U-bend covers directs potential dew condensation blow-off into the main drain pan.

### ATTENTION!

THE TWO U-BEND COVERS PROVIDED IN THE ACCESSORIES BAG MUST BE INSTALLED ON THE FOLLOWING MODELS WHEN INSTALLED IN DOWNFLOW:

- PAA-A36BA1
- PAA-A36CA1
- PAA-A42BA1
- PAA-A42CA1

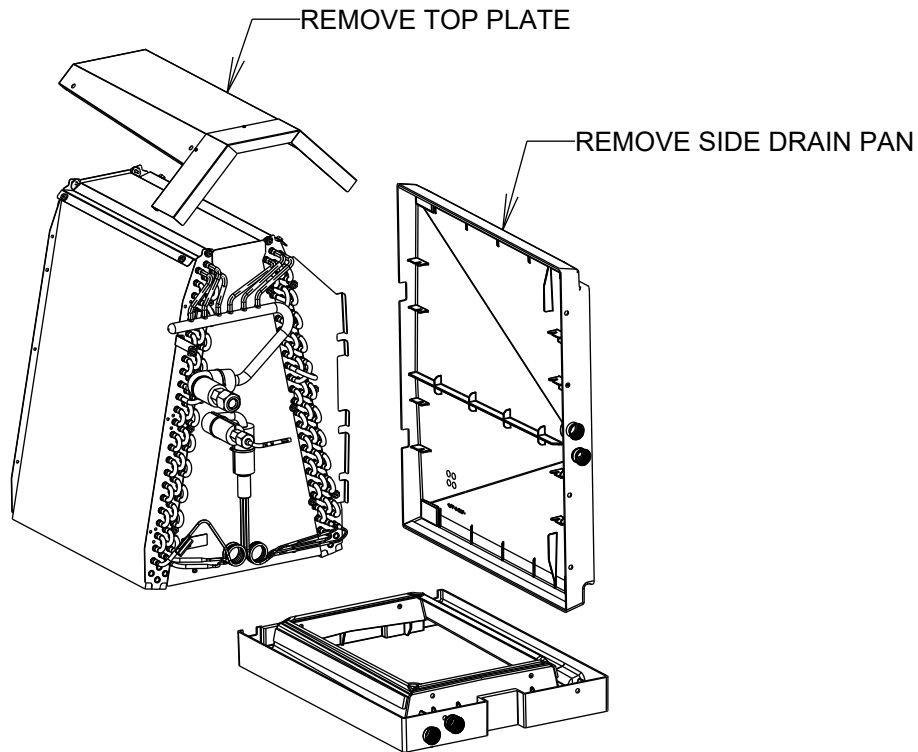


The side drain pan and the top plate must be removed from the coil assembly for vertical configuration installations. Remove the side drain pan (as well as its support and 2 triangular pieces) and the top plate as shown in the following steps. Removal of the side drain pan and top plate increases airflow and efficiency.

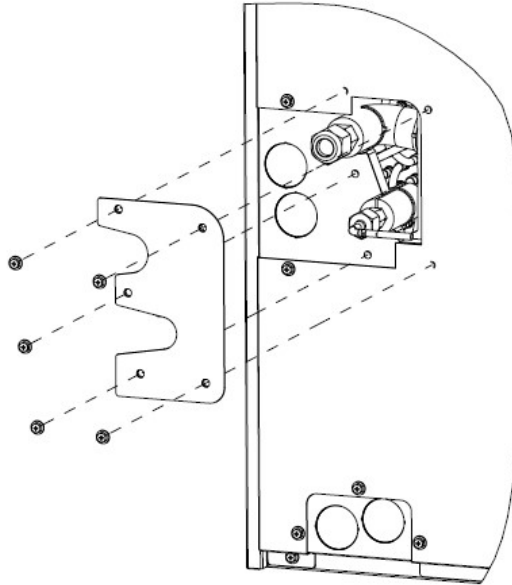
## ATTENTION!

FOR UPFLOW AND DOWNFLOW INSTALLATIONS:

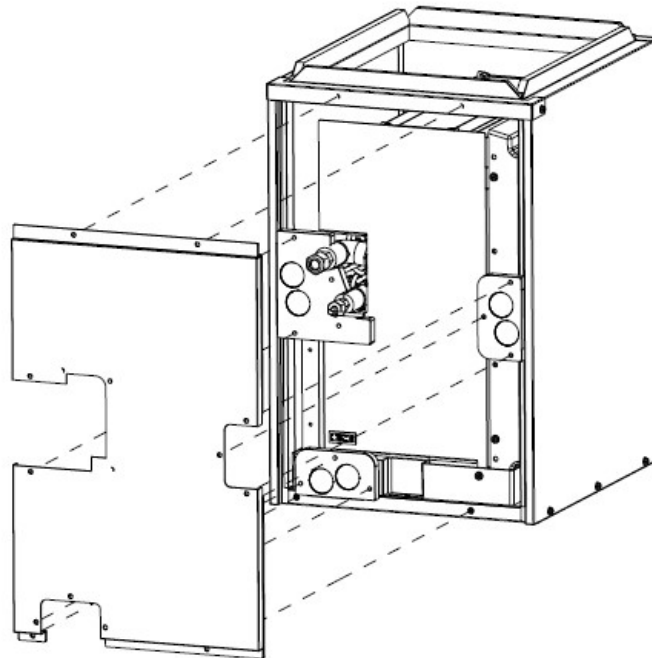
1. THE TOP PLATE MUST BE REMOVED (AS SHOWN).
2. THE SIDE DRAIN PAN MUST BE REMOVED (AS SHOWN).



**Step 1:** Remove pipe panel which is secured by 5 screws, as displayed below:



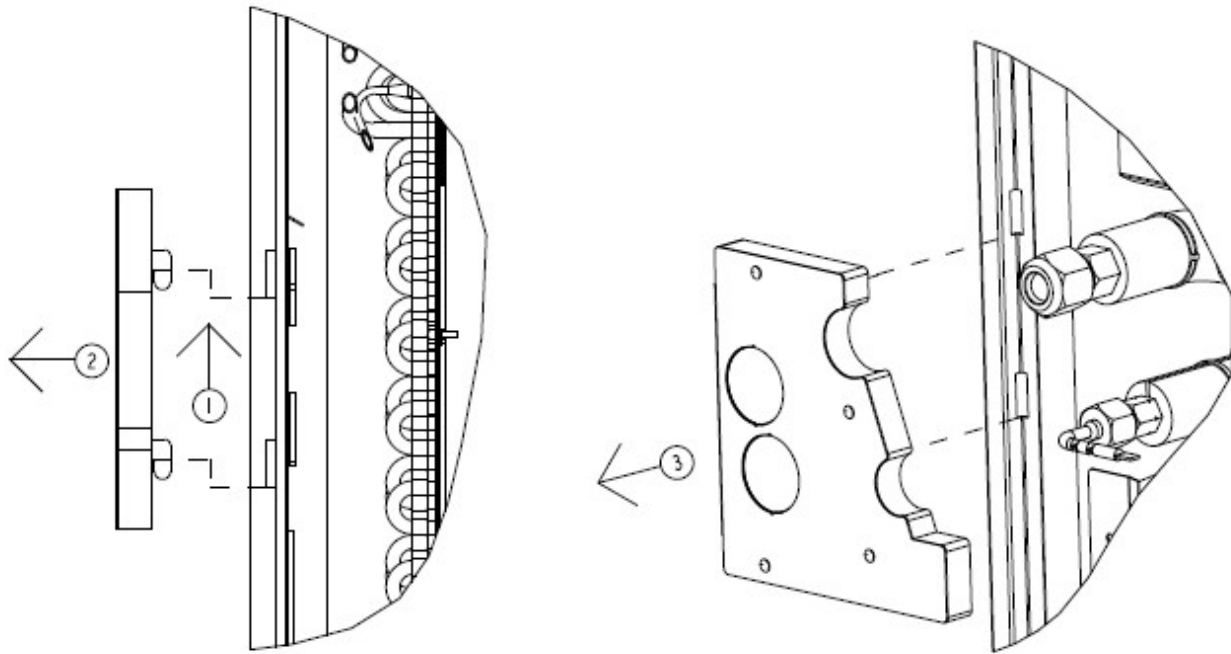
**Step 2:** Remove front panel which is secured by 12 screws. (Screws not shown.)



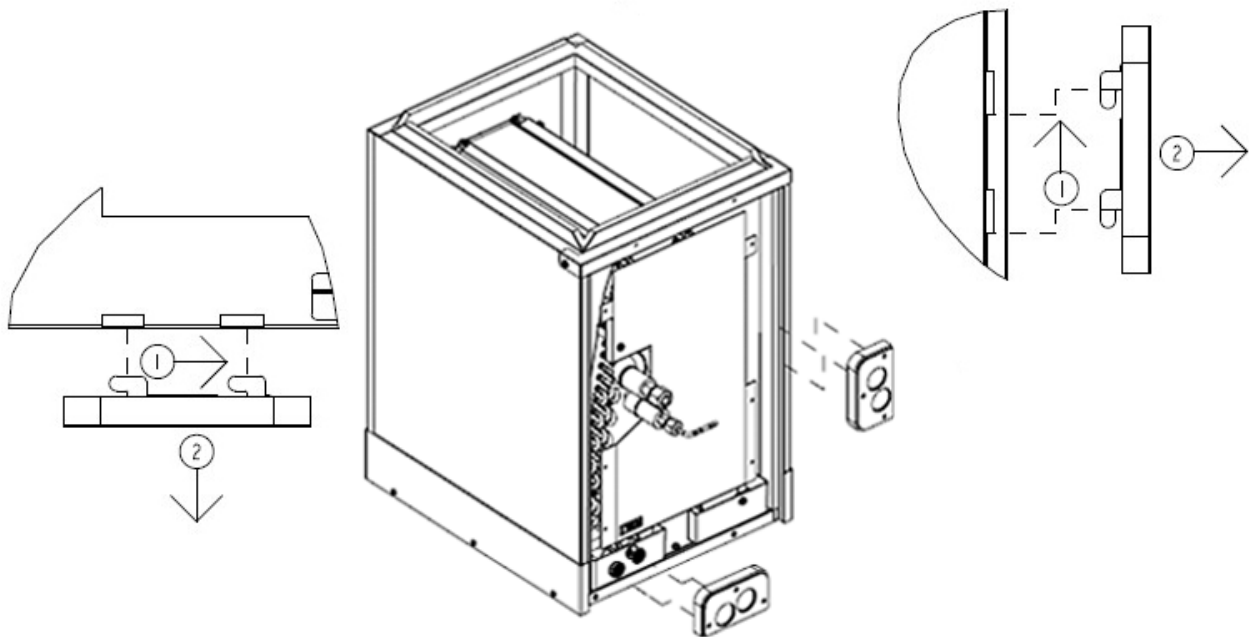
ENGLISH



**Step 3:** Remove pipe panel (main pipe panel) which is hooked to the cabinet, by moving it in the directions indicated in the image below and then removing it from the cabinet.

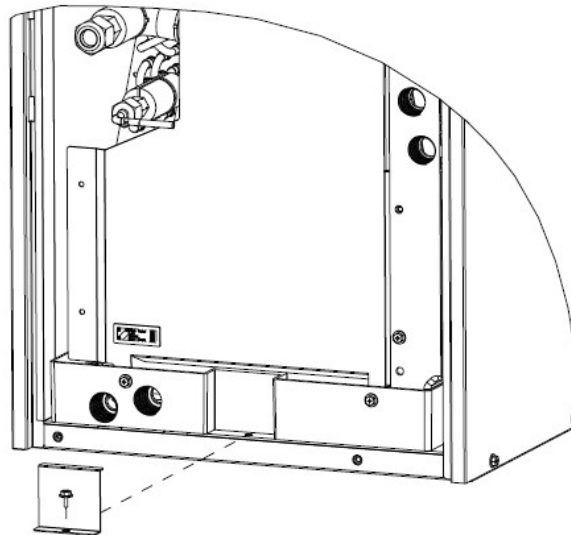


**Step 4:** Remove the 2 side panels (side pipe panel assembly), which are hooked to the cabinet, by moving them in the directions indicated in the images below and removing them from the cabinet.



ENGLISH

**Step 5:** Remove front Z-bracket, secured by a screw, which is located on the shelf attached to the drain pan.

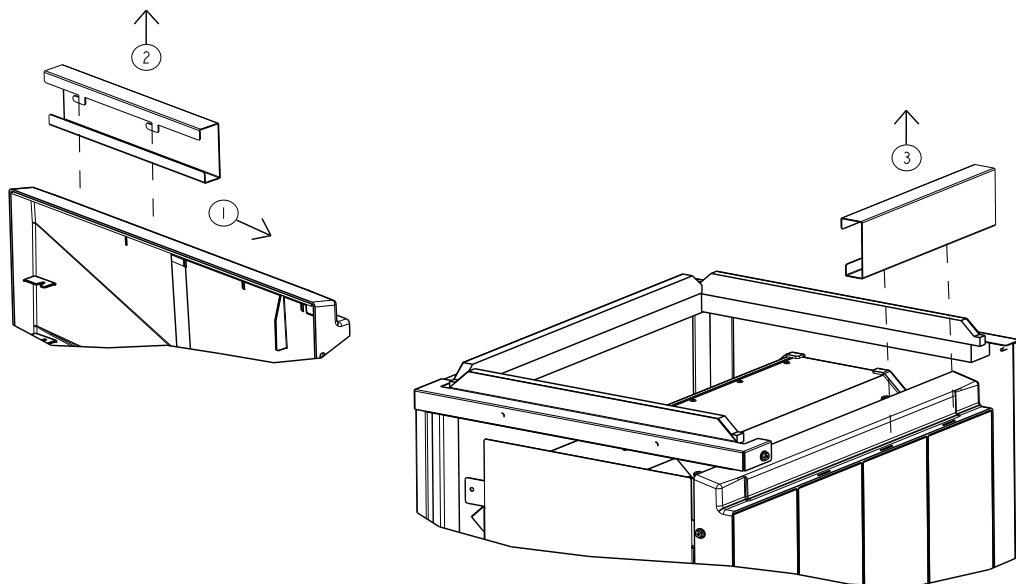


**Step 6:** Remove the side drain pan support from the side drain pan by sliding the support over and pulling it up. Retain the side drain pan support for horizontal left installation. Discard (recycle) the support for upflow/downflow installations.



**NOTE**

Side drain pan support must be removed while the heat exchanger is inside the cabinet. Some parts are not shown for clearer image.

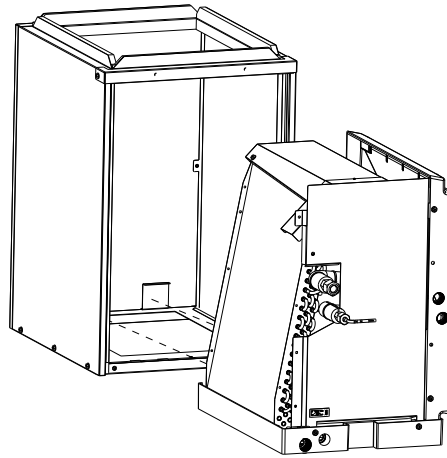


**Step 7:** Remove the heat exchanger assembly by sliding it out of the cabinet.

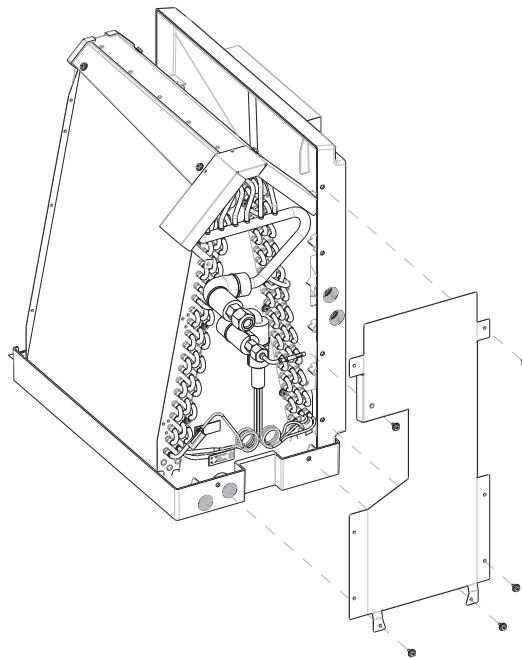


### CAUTION

- Use extreme caution when removing the heat exchanger from the cabinet as the thermistor wires are attached to the assembly.
  - Damaging these wires may cause the unit to malfunction.



**Step 8:** Remove front plate (holds the side and main drain pans), which is secured by 5 screws.

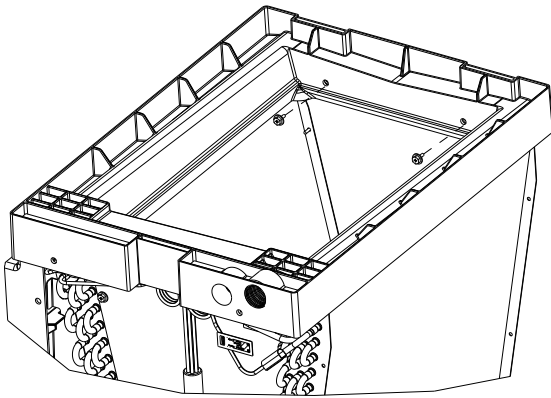


**Step 9:** Lift the heat exchanger by removing the 4 screws securing it to the drain pan.

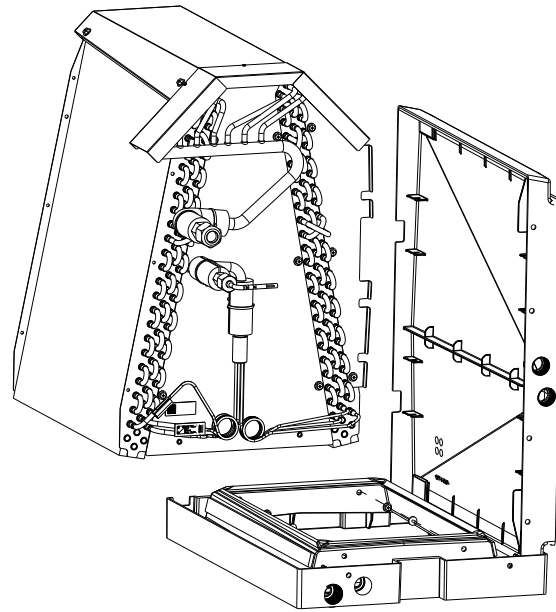


## WARNING

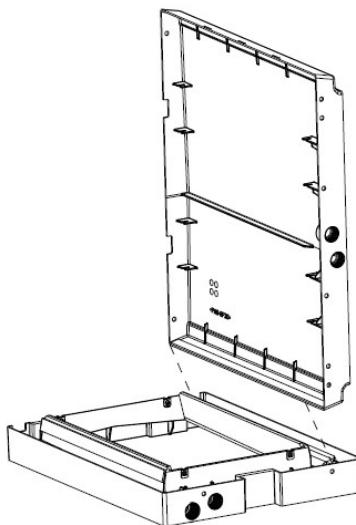
- Removing the heat exchanger may cause the side drain pan to fall off the main drain pan.
  - Drain pan may fall and cause personal injury.



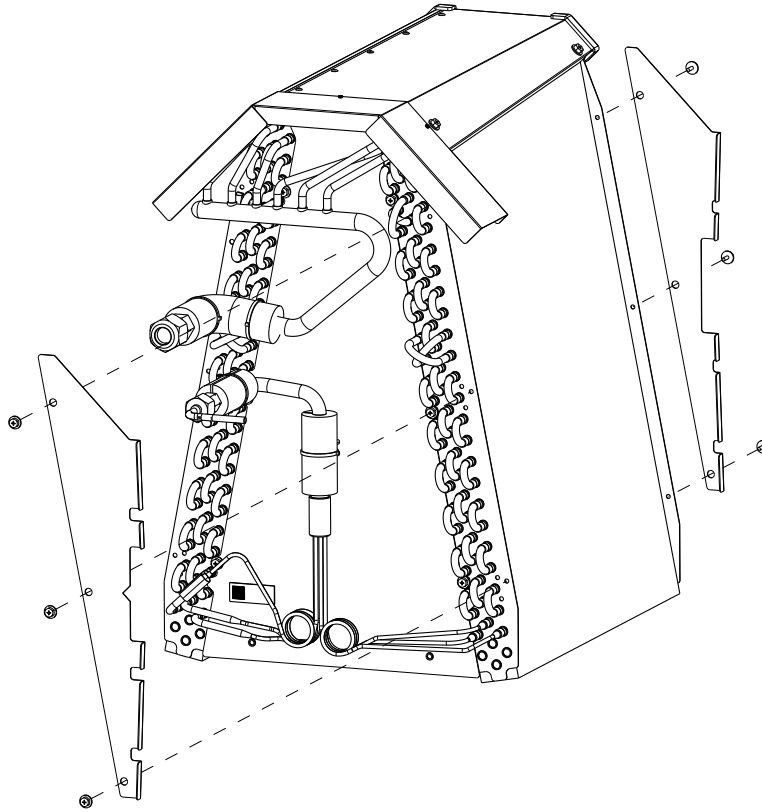
PAA unit inverted to show how the 4 screws are removed.



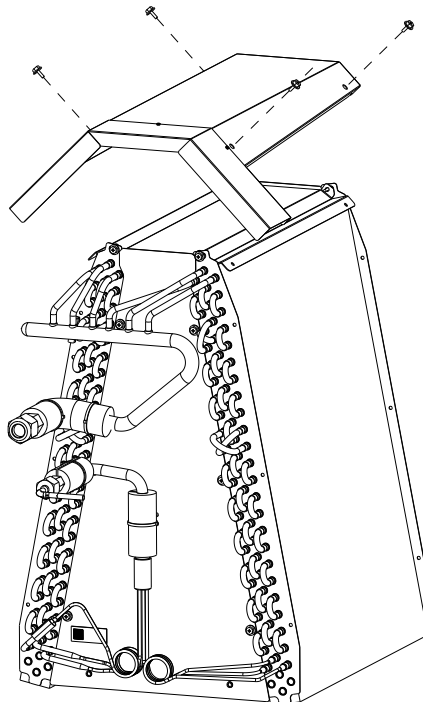
**Step 10:** Remove the side drain pan.



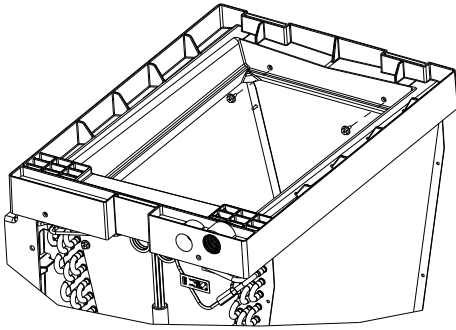
**Step 11:** Remove the 2 triangular pieces, held with 6 screws, from the heat exchanger assembly. Discard (recycle) the pieces.



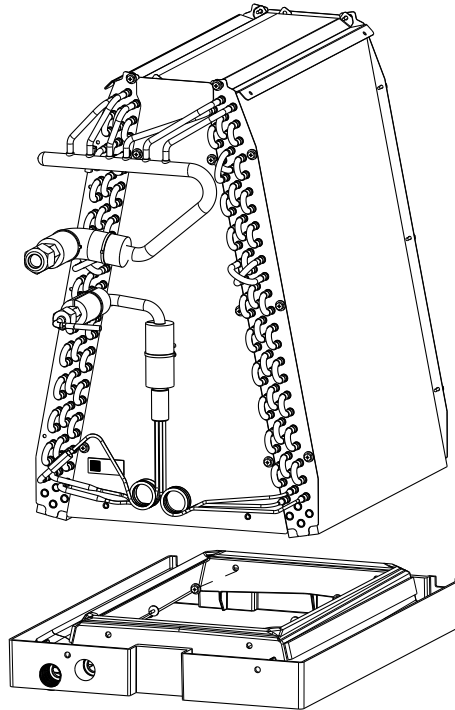
**Step 12:** Remove the top plate located on top of the heat exchanger, held with 4 screws. Discard (recycle) the top plate.



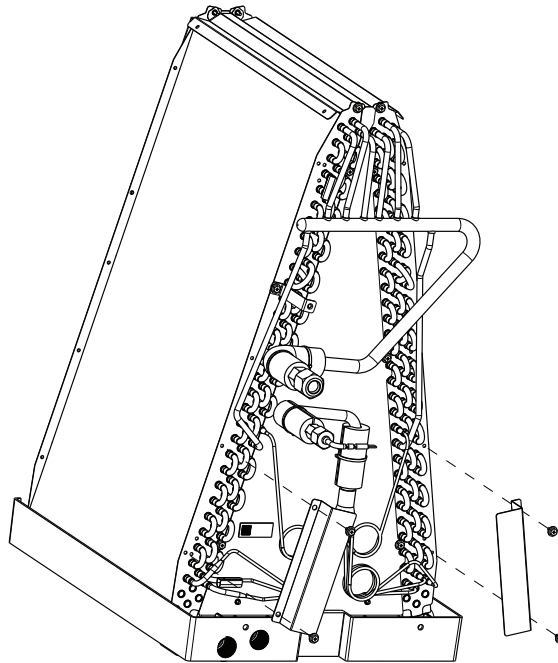
**Step 13:** Attach the heat exchanger to the main drain pan with the 4 screws.



PAA unit inverted to show how the 4 screws are installed.



**Step 14:** When installing PAA unit models PAA-A36,42 BA1/C1 in the downflow configuration, attach the two U-bend covers provided in the accessories bag with the provided 4 screws.



ENGLISH

**Perform the following steps to replace the heat exchanger (without side drain pan) inside the cabinet.**

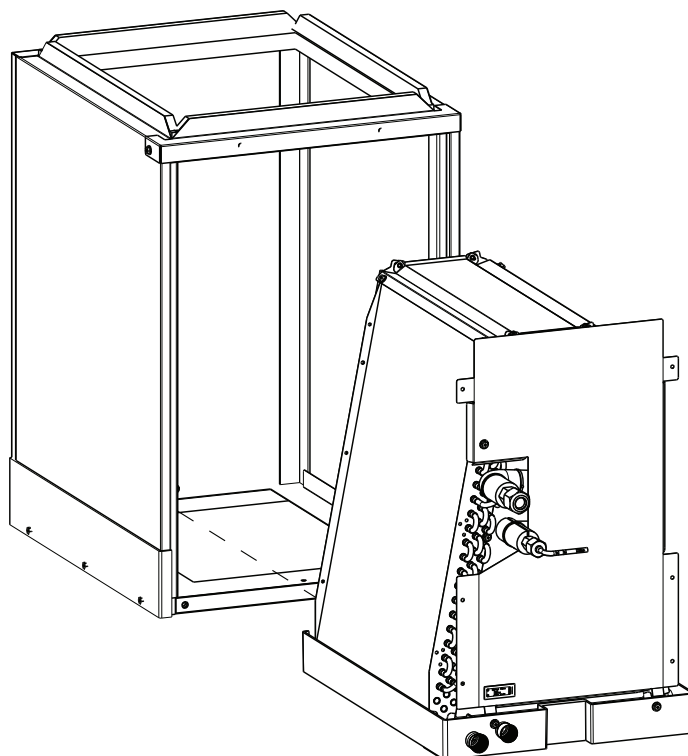
**Step 15:** Attach the front plate to the main drain pan using the 3 screws.

**Step 16:** Insert the heat exchanger back into the cabinet.

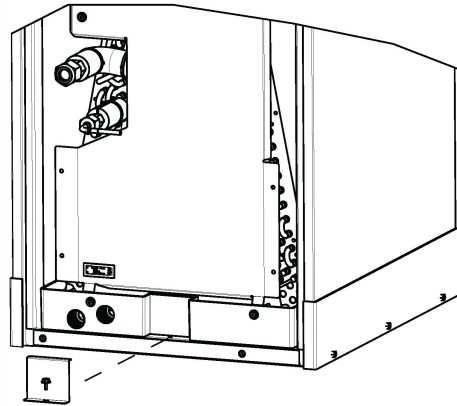


### CAUTION

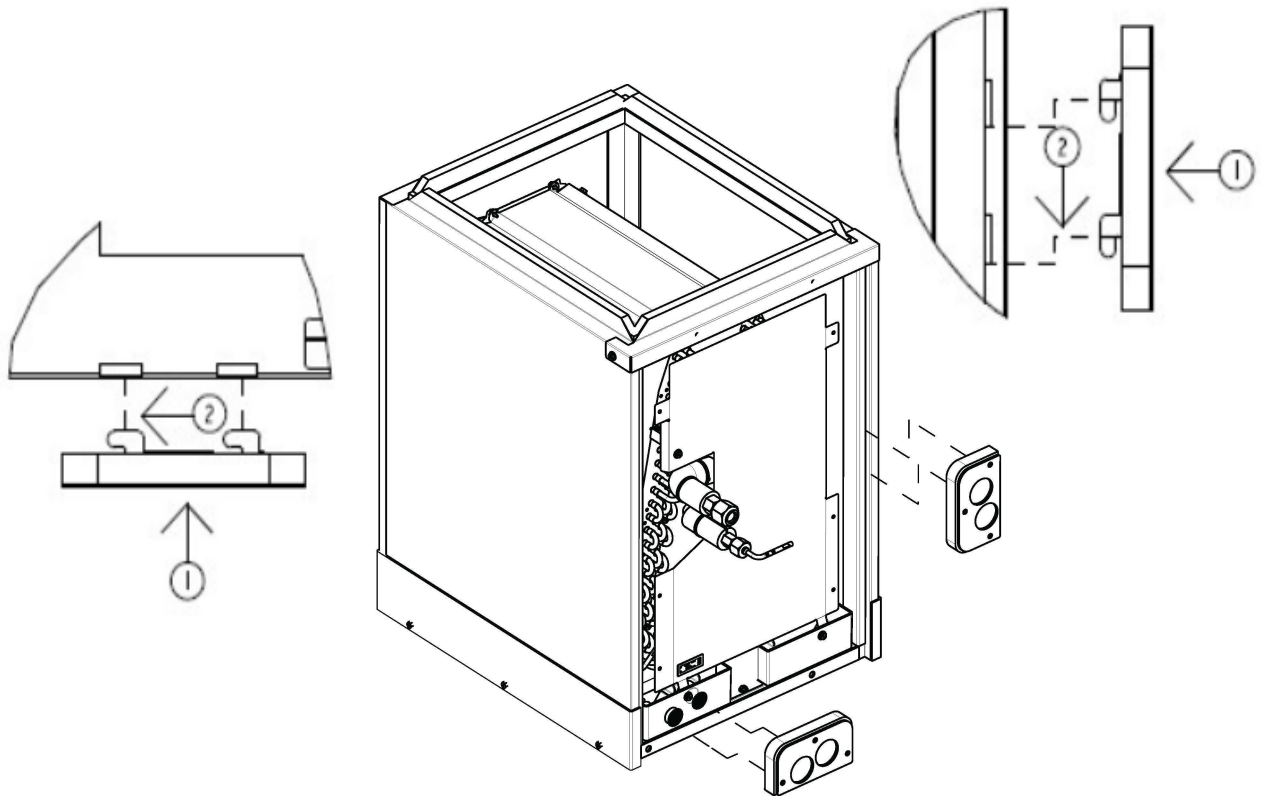
- Use extreme caution when inserting the heat exchanger back into the cabinet to avoid damaging the thermistor wires.
  - Damaged thermistor wires may result in improper or dangerous operation of the unit.



**Step 17:** Use screw (1) to install the front Z-bracket to secure the heat exchanger to the cabinet.



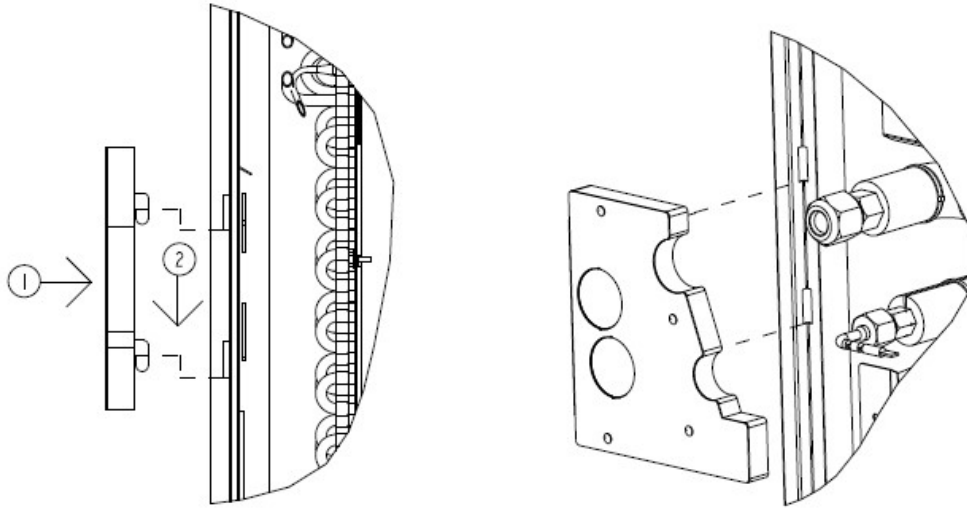
**Step 18:** Replace the 2 side panels (side pipe panel assemblies).



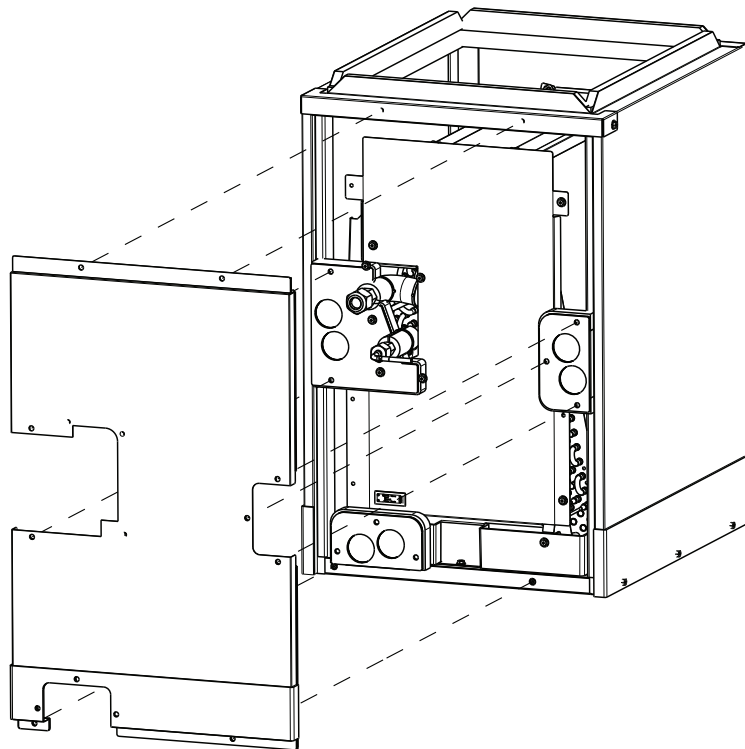
ENGLISH



**Step 19:** Replace the pipe panel (main pipe panel).

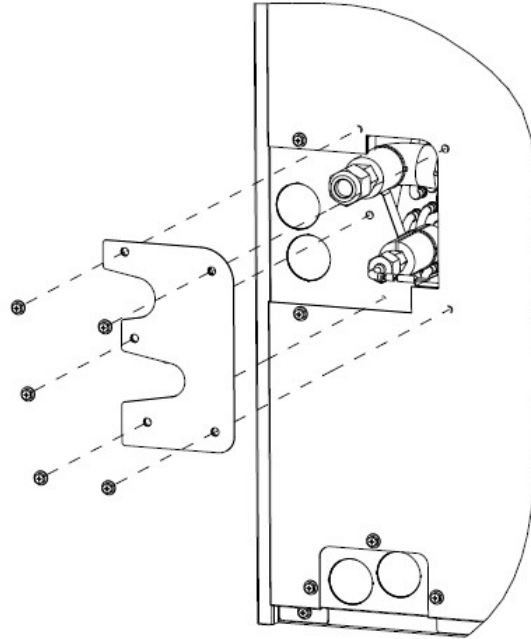


**Step 20:** Replace the front panel using the 12 screws. (Screws not shown.)



ENGLISH

**Step 21:** Replace pipe panel (using the 5 screws).



### CAUTION

#### Auxiliary drain pan requirement

An auxiliary drain pan without a separate drain line shall be installed under the furnace. The pan must have a minimum depth of 1.5 inches (38 mm), be not less than 3 inches (76 mm) larger than the unit or the coil dimensions in width and length and must be constructed of corrosion-resistant material. Galvanized sheet steel pans must have a minimum thickness of not less than 0.0236-inch (0.6010 mm). (Do not use 24 gauge.) Non-metallic pans must have a minimum thickness of not less than 0.0625 inch (1.6 mm). This pan must be equipped with a water level detection device conforming to UL 508 that will shut off the equipment served prior to overflow of the pan. The pan must be equipped with a fitting to allow for drainage.

## 10.3. Horizontal left installation

To remove the heat exchanger from the cabinet, perform **steps 1-10** detailed in "Upflow/Downflow installation" section.



### NOTE

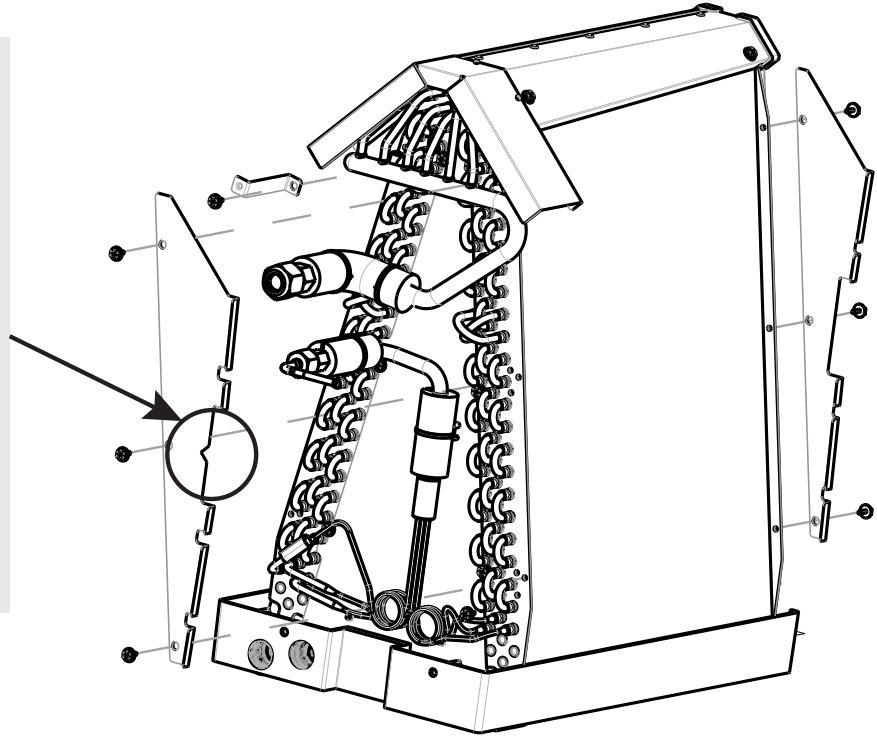
Side drain pan must be relocated for horizontal left installations.

**Step 1:** Remove and discard (recycle) the top left Z-bracket. Remove the 2 triangular pieces from the heat exchanger assembly.

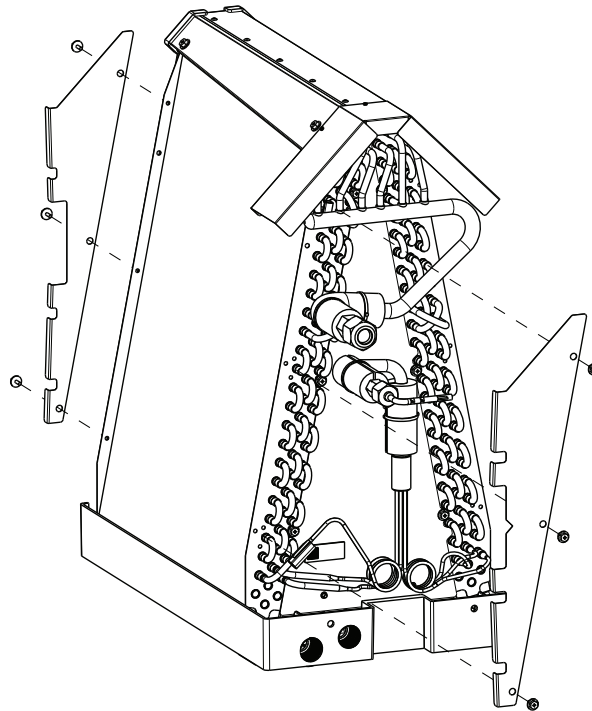


**CAUTION**

When moving from right to left install position, the front triangular piece, distinguishable with a V-notch on one edge, remains in front of the heat exchanger assembly and the back triangular piece remains at the back of the assembly. Failure to do so can result in condensate drainage problems.

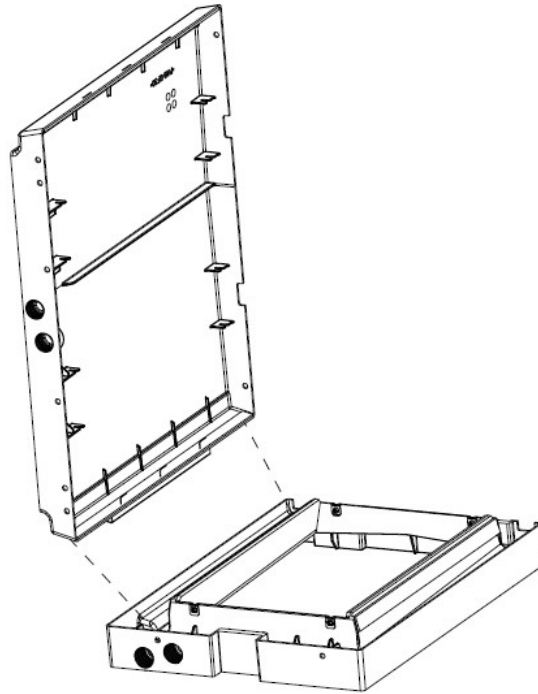


**Step 2:** Attach the 2 triangular pieces to the left hand side of the heat exchanger assembly.

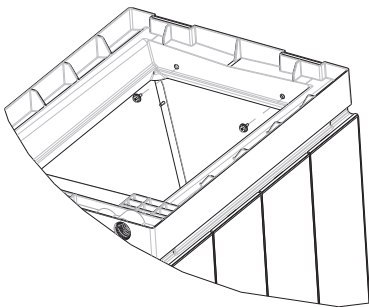


ENGLISH

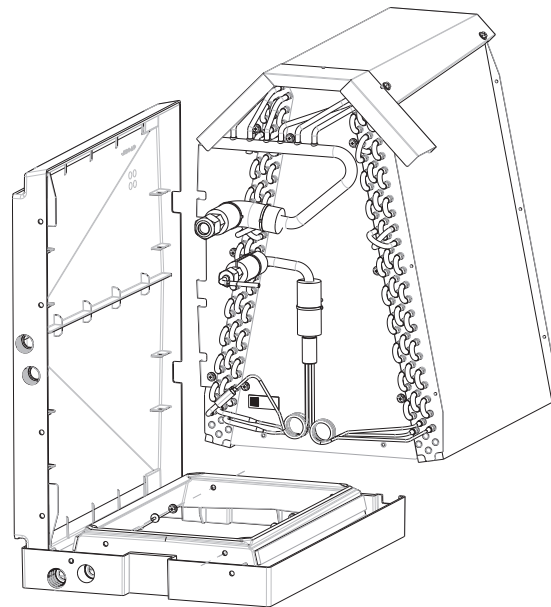
**Step 3:** Insert the side drain pan to the left hand side of the main drain pan as shown below.



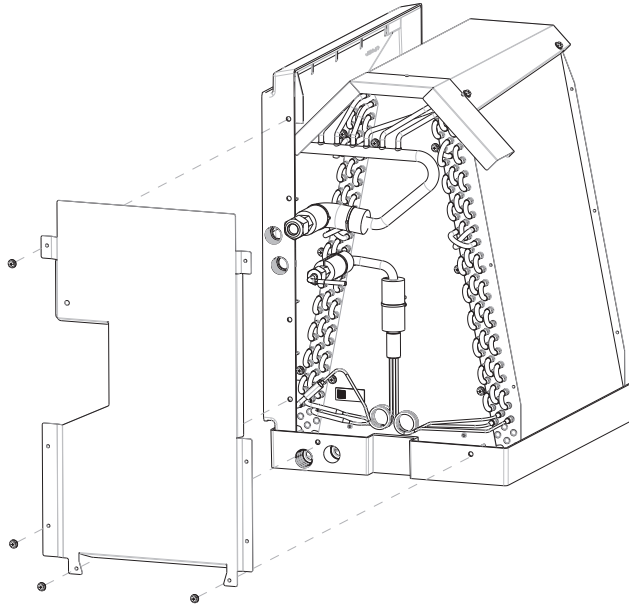
**Step 4:** Attach the heat exchanger to the main drain pan with the 4 screws.



PAA unit inverted to show how the 4 screws are installed.



**Step 5:** Attach the front plate to the main drain pan using the 4 screws.

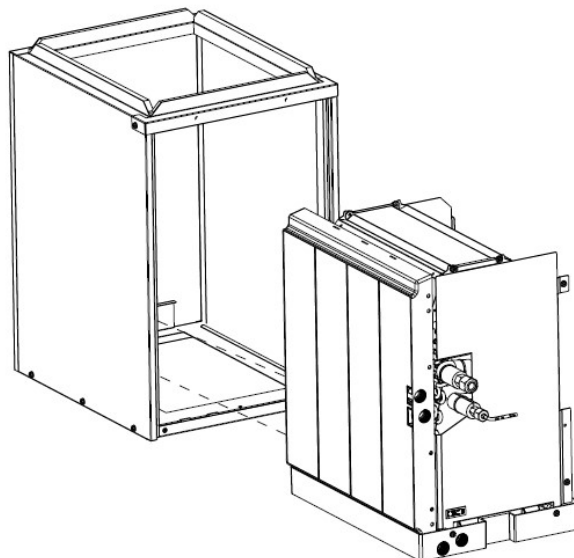


**Step 6:** Insert the heat exchanger back into the cabinet. Ensure the notches in the back of the main drain pan engage with the two rear brackets inside the cabinet.



**CAUTION**

- Use extreme caution when inserting the heat exchanger back into the cabinet to avoid damaging the thermistor wires.
  - Damaged thermistor wires may result in improper or dangerous operation of the unit.

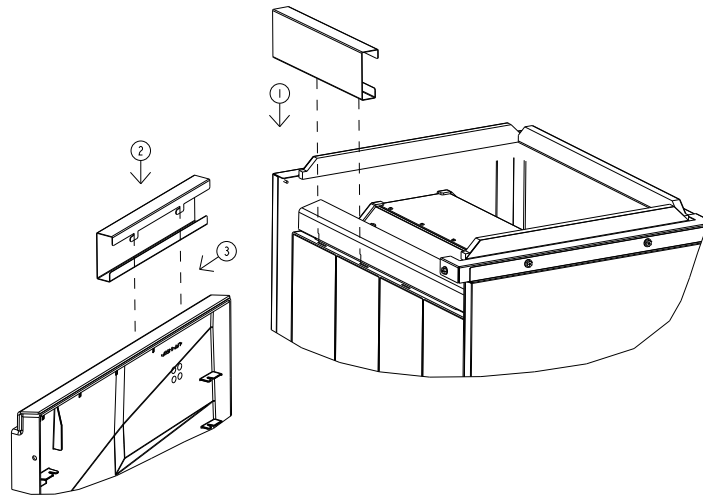


**Step 7:** Replace the side drain pan support bracket.

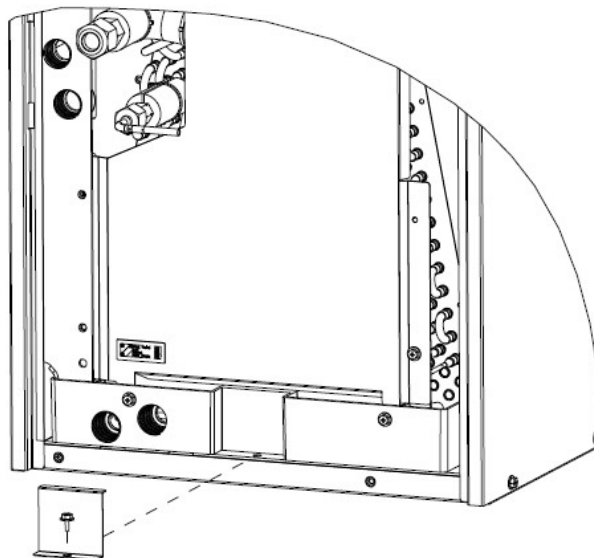


**NOTE**

Side drain pan support bracket must be installed using the 2 holes closest to the rear of the cabinet while the heat exchanger is inside the cabinet. Some parts are not shown for clearer image.

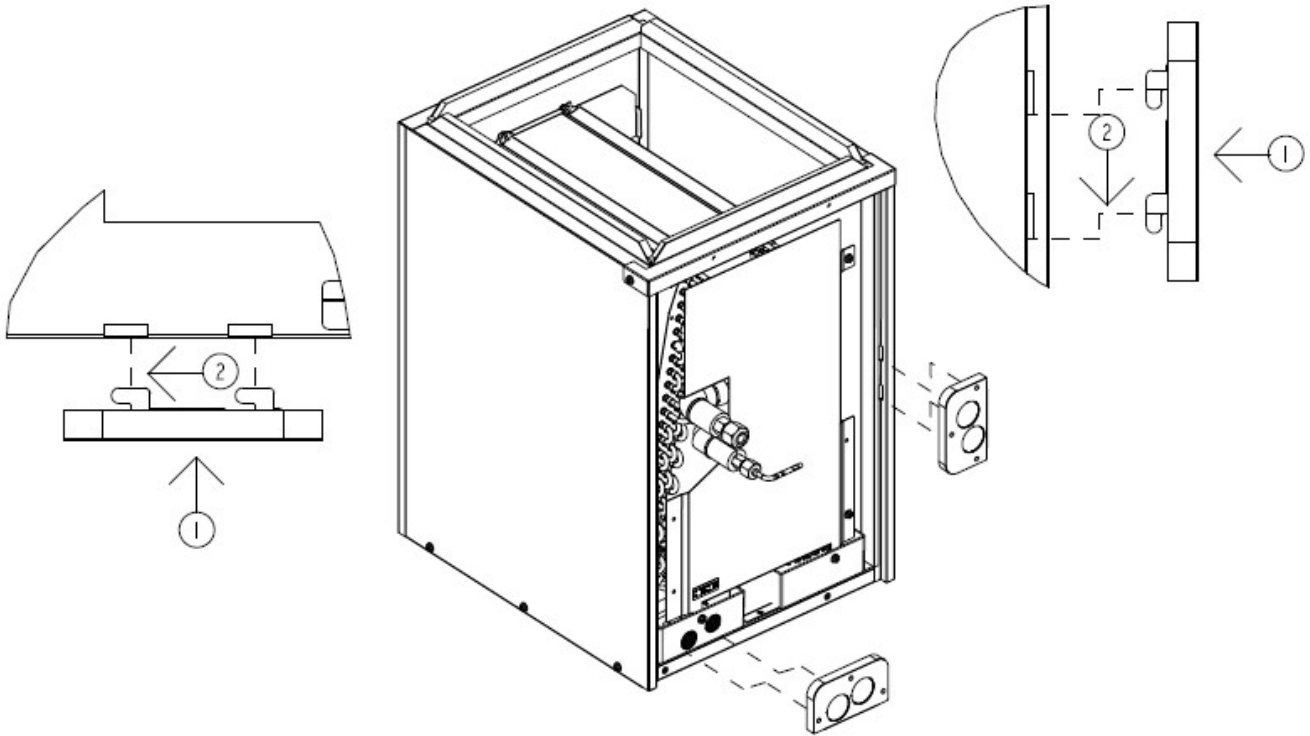


**Step 8:** Use screw (1) to install the front Z-bracket to secure the heat exchanger to the cabinet.

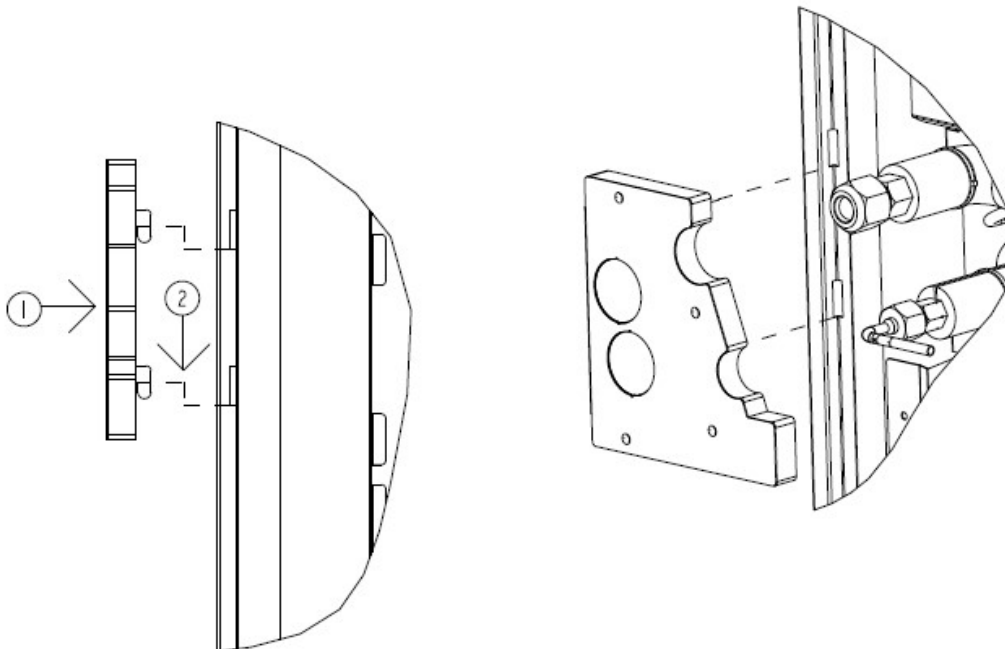


ENGLISH

**Step 9:** Replace the 2 side panels (side pipe panel assembly).

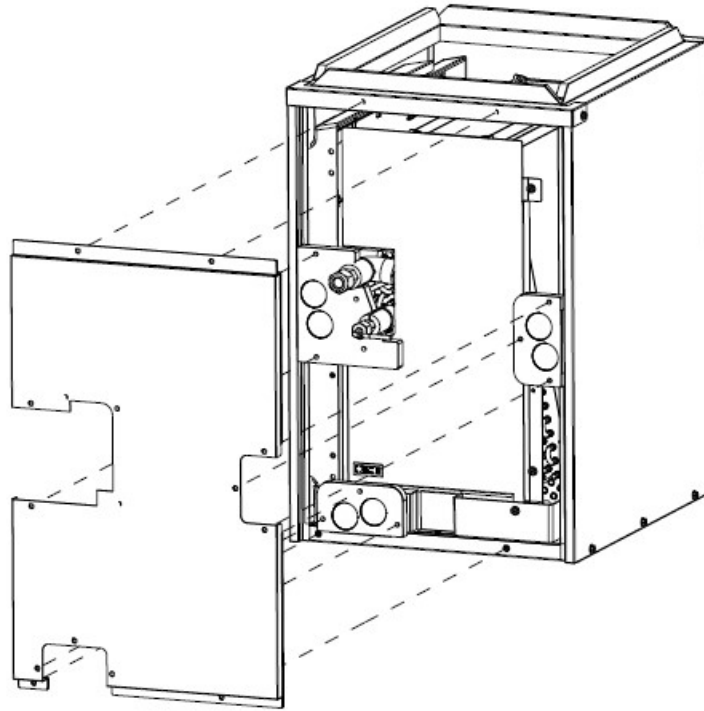


**Step 10:** Replace the pipe panel (main pipe panel).

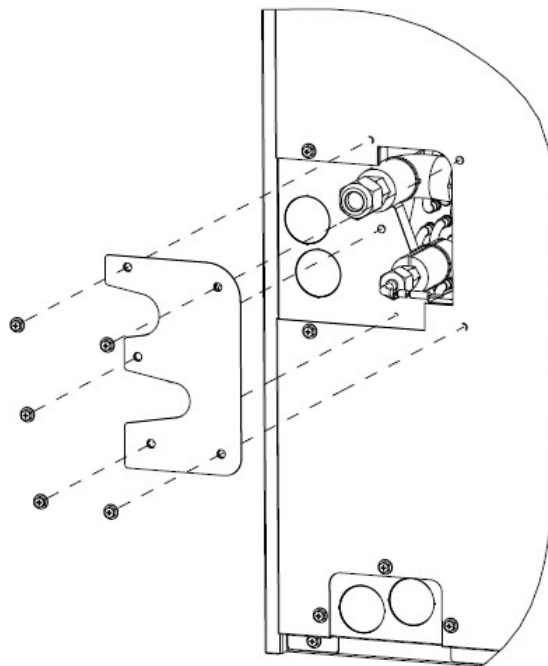


ENGLISH

**Step 11:** Replace the front panel using the 12 screws. (Screws not shown.)



**Step 12:** Replace pipe panel (using the 5 screws).



ENGLISH



## 10.4. Horizontal right installation

The PAA unit is shipped from the factory for horizontal right configuration, no further changes are required.

If the heat exchanger assembly is removed, please follow **steps 1-10** (Vertical orientations- see "Upflow/ Downflow installation" section) in reverse order to replace the heat exchanger back in the cabinet.



### CAUTION

#### Auxiliary drain pan requirement

An auxiliary drain pan without a separate drain line shall be installed under the cabinet of the PAA unit. The pan must have a minimum depth of 1.5 inches (38 mm), be not less than 3 inches (76 mm) larger than the unit or the coil dimensions in width and length and must be constructed of corrosion-resistant material. Galvanized sheet steel pans must have a minimum thickness of not less than 0.0236-inch (0.6010 mm). (Do not use 24 gauge.) Non-metallic pans must have a minimum thickness of not less than 0.0625 inch (1.6 mm). This pan must be equipped with a water level detection device conforming to UL 508 that will shut off the equipment served prior to overflow of the pan. The pan must be equipped with a fitting to allow for drainage.

## 11. Refrigerant piping work



### NOTE

For constraints on refrigerant piping lengths and allowable differences in elevation, refer to the design section of the engineering manual.

For information about maximum total piping lengths for PAA series connections, see "PAA-series Connection" in the "Before getting started" section.

The method of pipe connection on the PAA unit is flare connection.

Provide proper bracing for refrigerant piping so no load is imparted upon the connections at the PAA unit.



### WARNING

- Always wear safety glasses when working around pressurized devices.
  - Failure to follow safety requirements can result in injury or death or building damage.

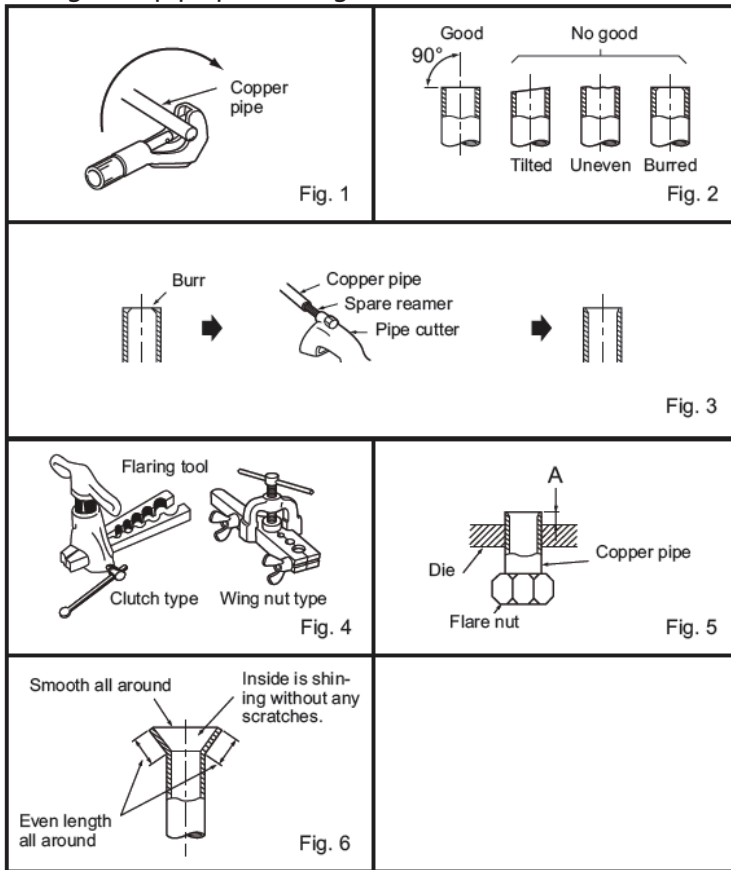


### CAUTION

- When installing or moving the unit, do not charge it with refrigerant other than the refrigerant specified on the unit.
  - Mixing of a different refrigerant, air, etc. may cause the refrigerant cycle to malfunction and result in severe damage.
- Use refrigerant piping made of C12200 (Cu-DHP) phosphorus deoxidized copper as specified in the ASTM B280 Standard Specification for Seamless Copper Tube for Air Conditioning and Refrigeration Field Service. In addition, be sure that the inner and outer surfaces of the pipes are clean and free of hazardous sulphur, oxides, dust/dirt, shaving particles, oils, moisture, or any other contaminant. Never use existing refrigerant piping.
- The PAA units are shipped with a nitrogen holding charge in the coil. Carefully follow these instructions when releasing the charge.
  - Carefully remove the flare nut off the end of the pipe to release any gas.
  - Both refrigerant lines need to be insulated all the way up to the cabinet. Make sure the openings in the cabinet around the refrigerant lines are sealed. 3/8 inch thick insulation is the minimum recommended thickness. Based on ambient conditions, local codes and line length, thicker insulation may be required.
  - Do not put any oil on the threaded portion of the flare nuts. This may cause the flare nut to loosen and leak refrigerant.

<b>Piping Details</b>				
<b>Pipe diameter inch (mm)</b>	<b>Nut (mm)</b>	<b>A inch (mm) Clutch type tool for R410A</b>	<b>Tightening torque N*m</b>	<b>lb*ft (kgf*cm)</b>
1/4 (6.35)	(17)	0 to 0.02 (0 to 0.5)	13.7 to 17.7	10 to 13 (140 to 180)
3/8 (9.52)	(22)		34.3 to 41.2	25 to 30 (350 to 420)
1/2 (12.7)	(26)		49.0 to 56.4	36 to 42 (500 to 575)
5/8 (15.88)	(29)		73.5 to 78.4	54 to 58 (750 to 800)

Refrigerant pipe processing

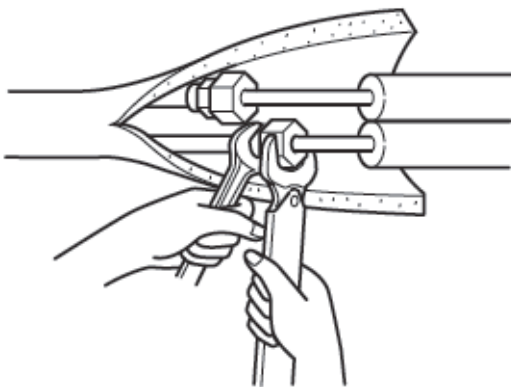


**CAUTION**

Never use existing refrigerant piping. The large amount of contaminants in other refrigerants and refrigerant oil in the existing piping will cause the new refrigerant to deteriorate.

ENGLISH

Apply proper torque to flare nuts.



- Store the piping to be used during the installation indoors, and keep both ends of the piping sealed until just before brazing.
- If dust, dirt or water gets into the refrigerant cycle, the oil will deteriorate and the compressor may fail.
- Use refrigerant oil to coat flares and flange connections before connecting.
- The refrigerant used in the unit is highly hygroscopic and mixes with water which will degrade the refrigerant oil.

## 11.1. Insulation of refrigerant lines

To avoid condensation, provide sufficient anti-sweating insulation to the refrigerant pipes and drain pipes. When using commercially available refrigerant pipes, be sure to cover them with insulating material with a heat-resistant temperature rating of more than 100° C (212° F). The recommended thickness of the insulation can be found in the chart below. This applies to both the liquid and gas pipes. Insulate all indoor pipes with polyethylene insulation with a minimum density of 0.03 g/cm<sup>3</sup> [2.0 LB/ft<sup>3</sup>] and a thickness as specified in the table below.

Pipe size	Insulation thickness
6.4 mm to 25.4 mm [1/4 to 1 in]	> 10 mm [7/16 in]
28.6 mm to 38.1 mm [1-1/8 to 1-1/2 in]	> 15 mm [5/8 in]

- If the unit is used on the highest story of a building and under high temperature and high humidity, it is necessary to use thicker insulation than specified in the table above.
- If there are customer's specifications, please follow them.

## 11.2. Piping size

Model	Liquid pipe	Gas pipe	Drain pipe
PAA-A18AA1	1/4" <sup>1</sup>	1/2" <sup>2</sup>	O.D. 32 mm (1-1/4 in)
PAA-A18BA1	1/4" <sup>1</sup>	1/2" <sup>2</sup>	O.D. 32 mm (1-1/4 in)
PAA-A24AA1	3/8"	5/8"	O.D. 32 mm (1-1/4 in)
PAA-A24BA1	3/8"	5/8"	O.D. 32 mm (1-1/4 in)
PAA-A30AA1	3/8"	5/8"	O.D. 32 mm (1-1/4 in)
PAA-A30BA1	3/8"	5/8"	O.D. 32 mm (1-1/4 in)
PAA-A36BA1	3/8"	5/8"	O.D. 32 mm (1-1/4 in)
PAA-A36CA1	3/8"	5/8"	O.D. 32 mm (1-1/4 in)
PAA-A42BA1	3/8"	5/8"	O.D. 32 mm (1-1/4 in)
PAA-A42CA1	3/8"	5/8"	O.D. 32 mm (1-1/4 in)

<sup>1</sup> When PUZ outdoor unit is connected, please use 3/8" pipe size with PAC-493PI for the liquid pipe.

<sup>2</sup> When PUZ outdoor unit is connected, please use 5/8" pipe size with PAC-A456JP-E for the gas pipe.

## 12. Drain connections

Finger-tighten the drain pan connections plus two turns, but no more than plus two and a half turns. Make sure to use a sealant for threaded joints. Use a sealant that is non-hardening, compatible with plastic, and effective in temperatures up to 250° F.



### CAUTION

- **Over-tightening the drain connections could result in drain pan breakage and failure.**
- The drain pan expands or contracts when exposed to changes in temperature and humidity. Do **not** wrap Teflon tape or apply Teflon paste, pipe dope or other sealant for metal pipe application to add bulk to the joint. By using such types of sealants, water can leak out of the drain pan when the drain pan expands or contracts. Such types of sealants also lubricate the thread resulting in over torquing and breaking the fitting.

The PAA unit contains two sets of 3/4" FPT drain connections. One set of connections is to be used when mounting the unit vertically and the other is used when mounting horizontally. Each set contains a primary drain and a secondary or auxiliary drain. The primary drain is the one that is lowest (even with the bottom of the pan). The secondary drain is at the higher level. They are labeled on the dimensional drawings described in the "Dimensions" section.

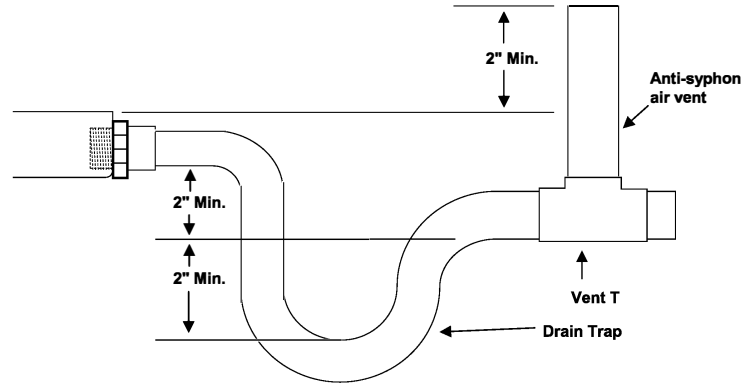
These units operate with a positive pressure at the drain connections, and although a P-trap is not required, it is recommended to prevent capacity loss. Always follow local codes and standards.

- The trap needs to be installed as close to the unit as possible. Make sure the top of the trap is below the connection to the drain pan to allow complete drainage of the pan.
- Slope the drain line a minimum of 1/4" per foot.
- Do not reduce the pipe size from 3/4", this could cause premature blockage in the lines.
- Do not braze near the plastic drain piping.



### NOTE

Using an oversized drain connection fitting could cause an interference with the cabinet side panel.



### Vertical mounting:

When mounted vertically, the air handler's primary drain connection is located in the center of the unit. The slightly higher drain to the left is the secondary drain. Attach the drain connector and properly tighten with sealant and install the drain line.



### CAUTION

**Over-tightening the drain connection could result in drain pan breakage and failure.**

The secondary connection is for the overflow switch (provided in the accessories bag).

This device will shut the cooling operation down in the event of a primary drain line blockage. See wiring section for connecting this device.

### Horizontal mounting (left or right):

If the unit is installed horizontally, remove the knockout in the front panel to gain access to the side drain pan connections. Attach the connector as described above and route drain line. Any vertical drain pan openings must be covered to eliminate air loss which will decrease the capacity of the unit.



### CAUTION

**Over-tightening the drain connection could result in drain pan breakage and failure.**

The secondary connection is for the overflow switch (provided in the accessories bag).

This device will shut the cooling operation down in the event of a primary drain line blockage. See wiring section for connecting this device.

**NOTE**

Horizontal runs must also have an anti-siphon air vent (standpipe) installed ahead of the horizontal run to eliminate air trapping. Horizontal drain lines must be pitched a minimum  $\frac{1}{4}$ " per foot. Route the drain lines outside or to an appropriate drain. Drain lines must be installed so they do not block service access to the front of the unit. 24" clearance in the front is for routine maintenance or service.

**NOTE**

Check local laws and regulations before connecting the drain line to an existing drainage system. Insulate the drain pipe where condensate water may cause damage. Once the installation is complete, it is the installer's responsibility to ensure that the drain pan captures all condensate water and that all condensate water is properly drained and does not enter the duct / system.

**CAUTION**

- Drain pipe must be installed in accordance with gas furnace install manual instructions. Mitsubishi Electric US, Inc. is not responsible for any damage caused by integrated drain pipe work carried out between the gas furnace and the PAA unit.

**CAUTION****Auxiliary drain pan requirement**

An auxiliary drain pan without a separate drain line shall be installed under the cabinet in horizontal left/right and under the furnace in vertical upflow/downflow PAA unit installations. The pan must have a minimum depth of 1.5 inches (38 mm), be not less than 3 inches (76 mm) larger than the unit or the coil dimensions in width and length and must be constructed of corrosion-resistant material. Galvanized sheet steel pans must have a minimum thickness of not less than 0.0236-inch (0.6010 mm). (Do not use 24 gauge.) Non-metallic pans must have a minimum thickness of not less than 0.0625 inch (1.6 mm). This pan must be equipped with a water level detection device conforming to UL 508 that will shut off the equipment served prior to overflow of the pan. The pan must be equipped with a fitting to allow for drainage.



## 13. Float switch



### IMPORTANT

Float switch is required for all PAA unit installation orientations.

In order to protect the gas furnace from corrosion, Mitsubishi Electric US, Inc. requires installing a float switch. If the float switch is not installed, Mitsubishi Electric US, Inc. is not responsible for any damage to the furnace.

Inspect the float switch for damage. If damaged, obtain a replacement before continuing the installation.



### NOTE

The float switch must be installed for proper system operation. An error code will result if the switch is not installed.

The float switch, also called the AC safety switch, is an electronic water sensor for your HVAC system. It gives the AC system the ability to detect water backing up into the drain pan, possibly indicating a clogged drain. The float switch will shut the system off if the water level reaches a certain point.

The float switch is installed in the secondary drain line of the air conditioner, and if water begins to accumulate in the drain line, the ball inside the switch will begin to float. When the ball floats to the top of the drain line, the switch will transmit a signal to the PAA unit to turn off, preventing an overflow.

The float switch is included in the accessory bag indicated as item #1 in the "Indoor unit accessories" section.

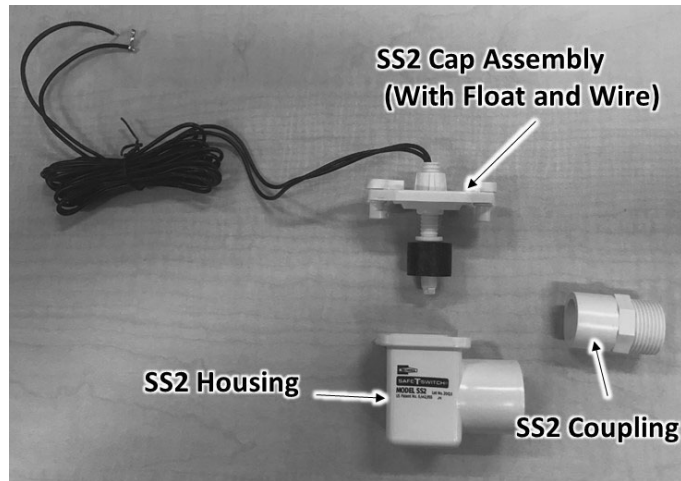


**NOTE**

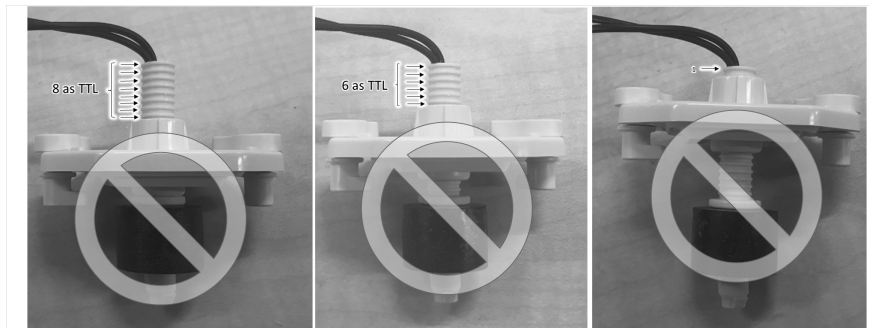
Float switch installation is shown for PAA unit vertical orientation.

**Step 1:** The float switch assembly contains the following components:

- SS2 cap assembly (with float and wire)
- SS2 housing
- SS2 coupling



**Step 2:** Ensure the float switch water detect level is 3 rings high. This indicates the float switch install level is correct and does not require further adjustment.



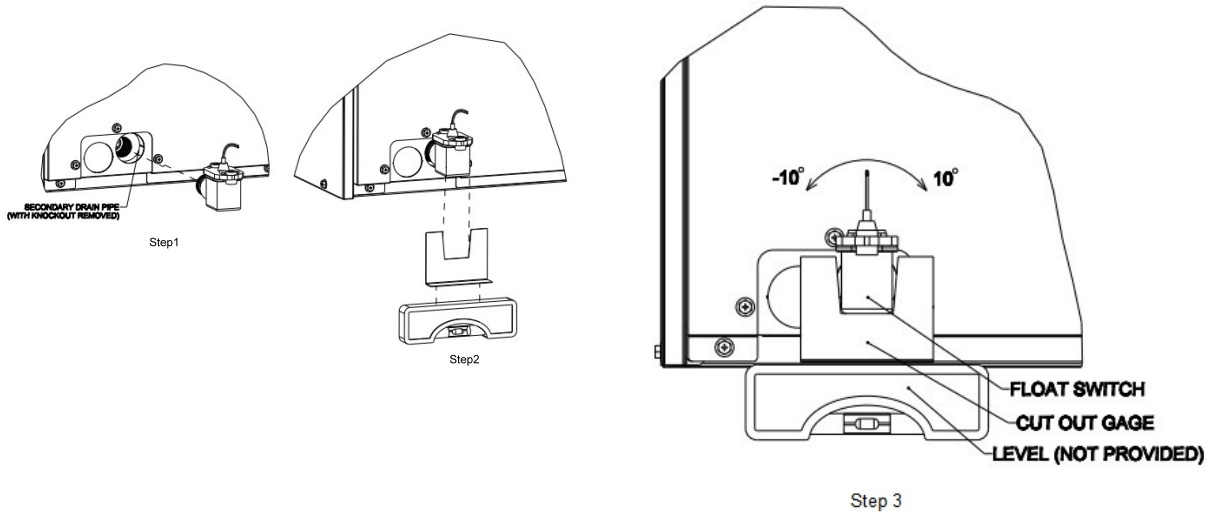
ENGLISH

**Step 3:** Install the switch in the drain pan, as indicated below. Utilize the cut out gauge (provided in the "Cut out gauge" chapter) to ensure float switch is level.



### NOTE

When SS2 cap is attached to SS2 housing, ensure the two cam locks are in the lock position as described in the SS2 installation manual.



### IMPORTANT

Ensure the stem is as vertical as possible, angled no more than 10 degrees from vertical orientation.

In order for proper float switch operation, check the float switch is oriented as shown in the image above. Use a level to ensure the float switch is oriented properly as shown.

**Step 4:** Connect the JST connector, which is pre-attached to the switch, to CN4F in the control panel, as shown in "Condensate overflow safety switch connection (CN4F)" section.



### CAUTION

When installing the float switch, consider the following potential water leakage issues:

- between the SS2 housing and SS2 coupling
- between the drain pan screw and SS2 coupling

Refer to [www.rectorseal.com](http://www.rectorseal.com) for float switch WARNING, CAUTION and NOTICE, prior to float switch installation. Float switch is made of PVC . Extremely high furnace discharge temperature may cause damage to the float switch. Mitsubishi Electric US, Inc. is not responsible for float switch damage caused by gas furnace heat.

If extension is added to the drain pipe, ensure that the float switch can safely detect overflow conditions. If float switch water detection level is higher than drain pan overflow level, Mitsubishi Electric US, Inc. is not responsible for water leak or gas furnace damaged problems, caused by water leak from the PAA unit.

## 14. Installing the control box

The primary function of the control box is to control the operation of a heating and air conditioning system.

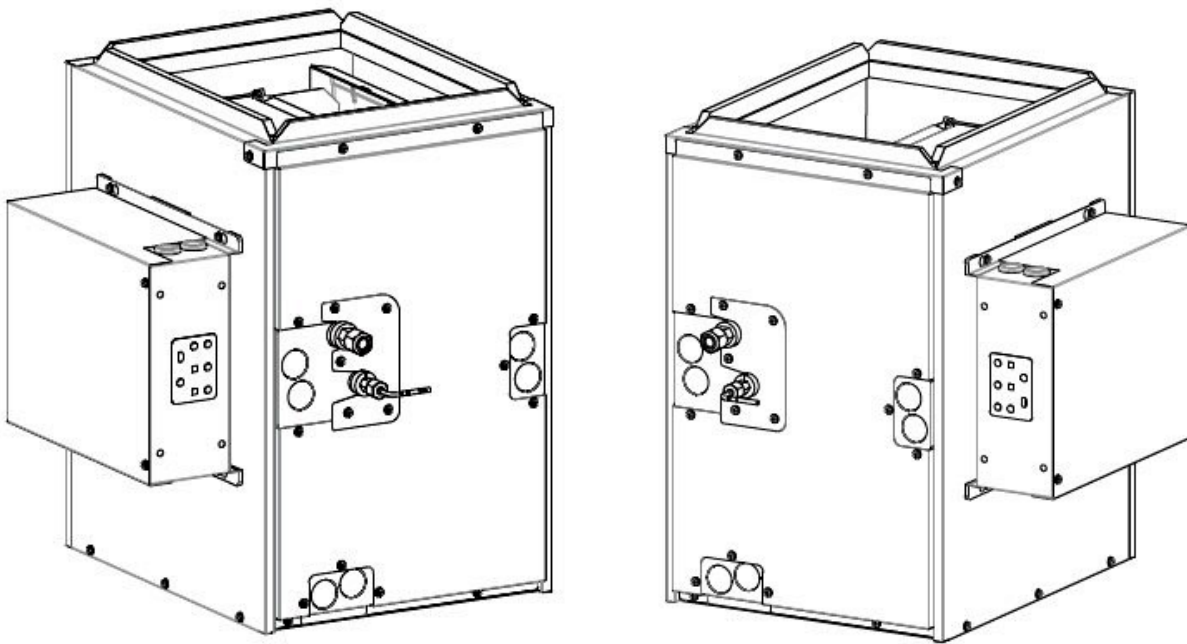
The control box is shipped with the PAA unit and can be installed on the cabinet as shown below or externally (not attached to the cabinet) at a location designated by the customer.

If installed on the cabinet, control box must be installed in the designated location, depending on the PAA unit orientation.



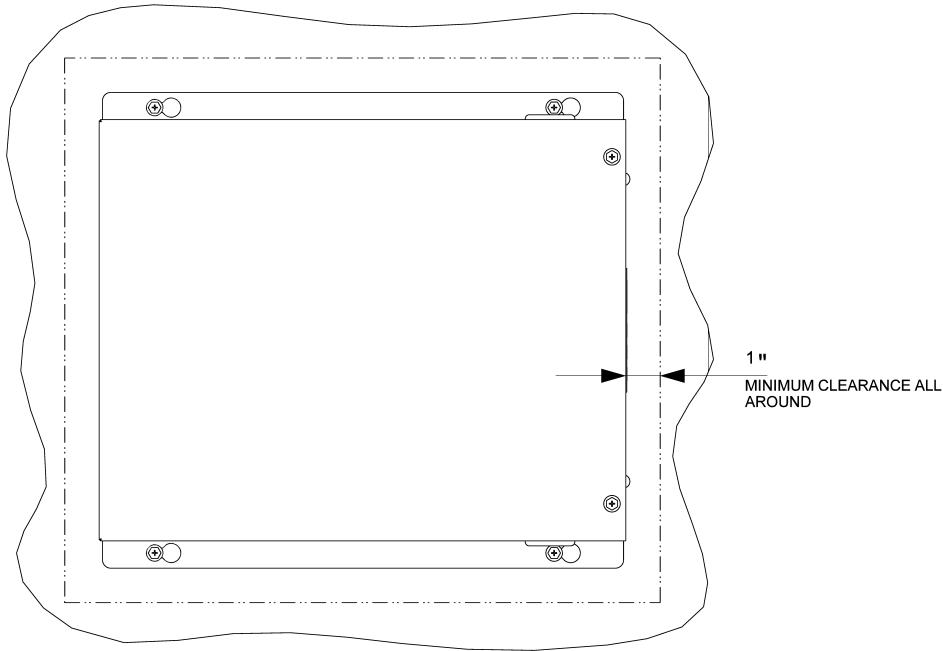
### NOTE

Recommended control box orientations on the cabinet as shown below.



The following must be considered while deciding on a location to install the control box:

- Control box must be installed at least 1 inch from the edge of the surface, as shown below.
- The surface must be flat.
- Surface area must not have any cutouts or depressions.



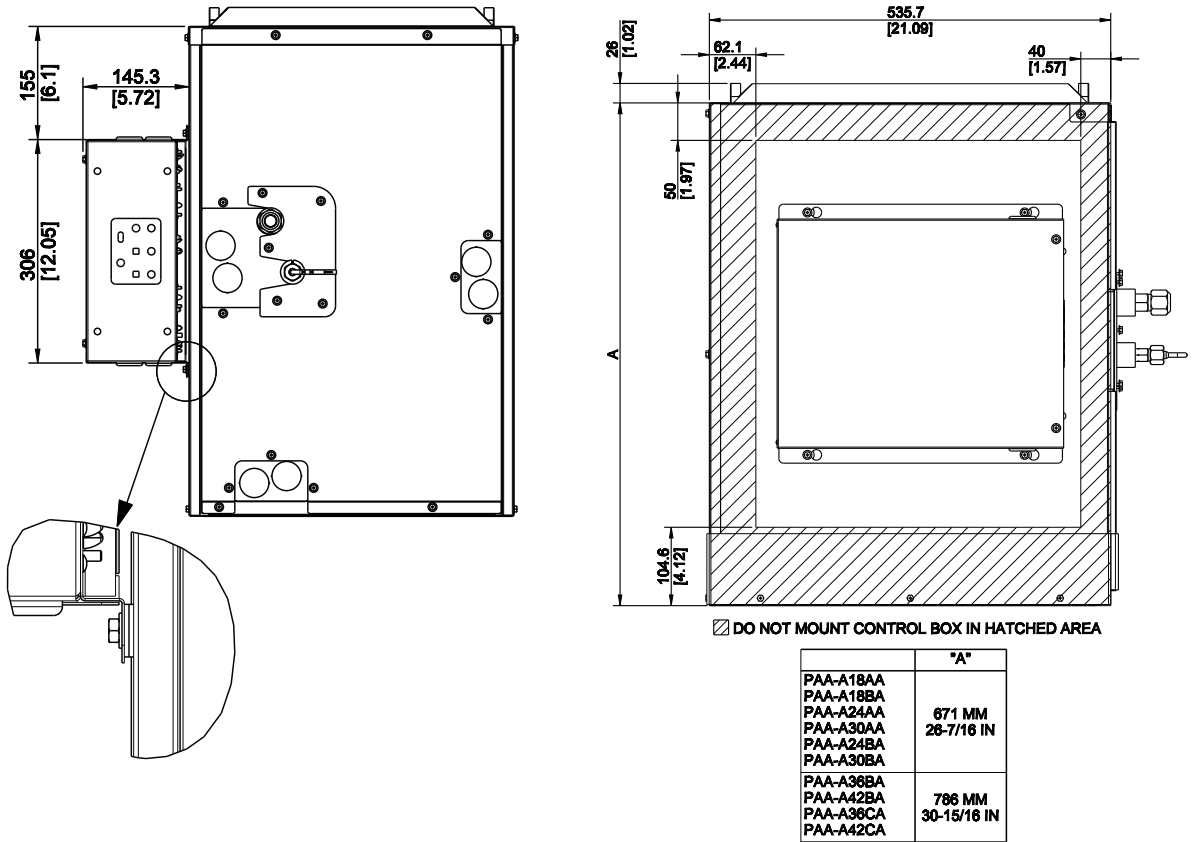
## 14.1. Control box - cabinet installation



### NOTE

- Control box can be mounted on the left or right side of the cabinet. Regardless, the control box positioning dimensions are the same.
- For environments when the ambient dew point temperature exceeds 73° F (23° C), if the control box must be mounted to the PAA unit cabinet, be sure to perform appropriate treatment to the PAA unit cabinet, such as duct wrap, **prior** to attaching the control box to the PAA unit cabinet.

Secure the control box with the M5 screws provided in the accessories bag by drilling four 3/16" pilot holes as shown in the allowed area below. Place washers, provided in accessories bag, between the control box and cabinet.



ENGLISH



**NOTE**

- Match drill holes (4) per layout.
- Only drill through the sheetmetal. Drilling any further can damage the coil.
- Washers, provided in accessories bag, must be installed between control box and cabinet to create a gap between the control box and cabinet.



**CAUTION**

When the ambient dew point temperature exceeds 73° F (23° C), dew condensation may occur on the PAA unit surface. Without a gap between the control box and PAA unit cabinet, dew condensation may enter the control box which may result in unit damage or failure.

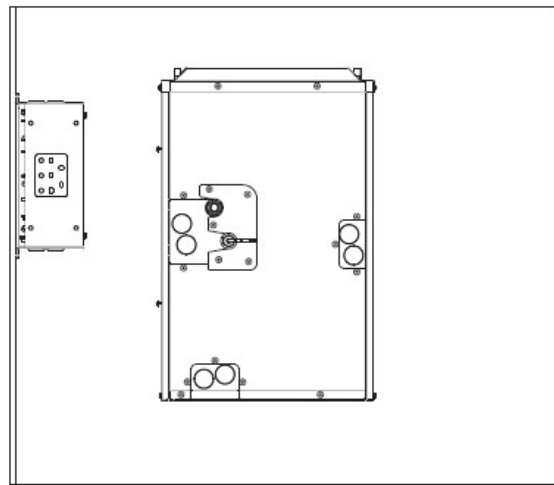
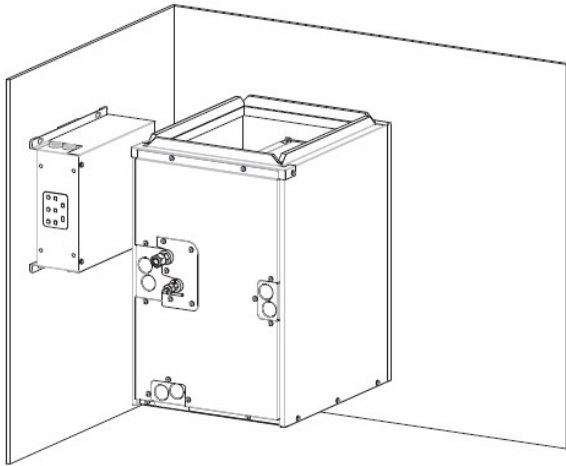
## 14.2. Control box - external installation



### NOTE

Mounting the control box on a secured wall close to the cabinet is an acceptable mounting method.

If the control box is to be installed on an alternative location, it is the responsibility of the installer to secure the control box properly and ensure all wiring between the control box and cabinet reaches and is secure. The distance between the cabinet and control box is limited by the length of the thermistor cables (approximately 3 meters) that come installed on the cabinet. Please consider this when locating the control box from the cabinet.





## 15. Electrical wiring

### 15.1. Warning and caution



#### WARNING

Electrical work should be done by a dealer, contractor or technician with certifications required by laws and codes in accordance with “Engineering Standards for Electrical Installation” and supplied installation manuals. If the power circuit lacks capacity or has an installation failure, it may cause a risk of electrical shock or fire.

- Follow the local and national code requirements when wiring the PAA unit and connected outdoor units and controls.
- Install the unit in a manner that prevents direct contact between any of the control circuit cables (remote controller, transmission cables) and the power cable outside the unit.
- When sizing wire and completing electrical connections during installation, please follow local codes and standards. Secure the connections so that the outside force of the cable is not applied to the terminals.
- Some cables (power, remote controller or transmission) above the ceiling may become damaged by accident or by animals. Use conduit as much as possible to prevent damage.
- Never connect the power cable to leads for the transmission cables. The cables will break.
- Be sure to connect control cables to the indoor unit, remote controller and the outdoor unit.
- Perform wiring in compliance with the safety regulations detailed in UL 1995.
- Before installation, please ensure that the furnace is properly grounded.



#### WARNING

Be sure to ground the PAA unit cabinet and control box. Do not connect the grounding cable to any gas pipe, water pipe, lightning rod or telephone earth cable. Incomplete grounding may cause a risk of electrical shock. If the supply cord is damaged, it must be replaced by the manufacturer, service personnel or licensed persons in order to avoid a hazard.

## External I/O specifications



### CAUTION

Ensure you comply with the following requirements for all units and equipment connected to the PAA unit. Otherwise, it may result in damage to the unit.

- Wiring should be covered by an insulation tube with supplementary insulation.
- Use relays or switches with IEC or equivalent standard.
- The electric strength between accessible parts and control circuit should be 2750 V or more.

## Wiring

Electrical wiring to the PAA unit control box will come from the outdoor unit. Please refer to the installation instructions for the outdoor unit.



### NOTE

The PAA unit does not support supplemental electric heating systems.

## 15.2. Connecting line voltage

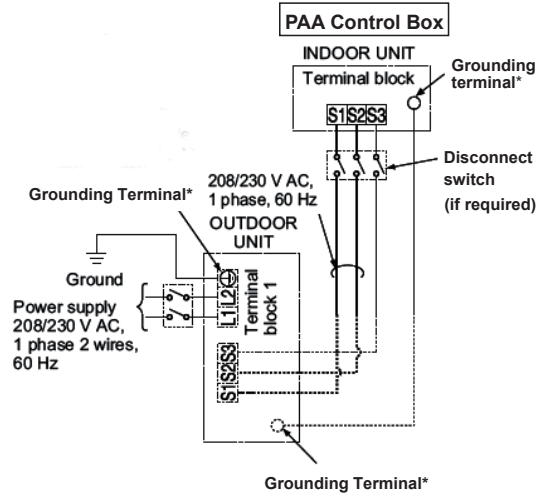


### WARNING

Ensure that you comply with the following requirements. Otherwise, results such as electric shock, fire or explosion may occur.

- MAKE SURE POWER SUPPLY IS OFF.
- The unit should be installed by a licensed contractor/electrician. If required by applicable national, state, and local codes, a disconnect switch will need to be installed when the indoor unit is powered from the outdoor unit.
- The disconnect switch should ALWAYS be disconnected when installing the system.

Remark:  
\* Use a ring tongue terminal in order to connect a ground wire to terminal.



ENGLISH



**NOTE**

All wiring must conform to national, state/provincial and local codes.

**Step 1:** Remove the desired knockout on the control box.

**Step 2:** Attach a conduit pipe connector to the control box and route the wiring as shown in the above diagram. Ensure that the conduit connection hole is airtight; add a sealant if necessary.

**Step 3:** Firmly tighten all of the terminal screws. After tightening, verify that the wires are tightly fastened.

## 15.3. Electrical settings

Function table

Mode	Mode no.	Settings	Setting no.	Initial setting	Check
Power failure auto restart	1	Not enabled	1	1	
		Enabled	2		
Indoor temperature detecting	2	Indoor unit operating average	1	1	
		Set by indoor unit's remote controller	2		
		Remote controller's internal sensor	3		
Power voltage	4	240V (230V)	1	1	
		220V (208V)	2		
Filter sign	7	100 Hr	1	3	
		2500 Hr	2		
		No filter sign indicator	3		
Humidifier control	13	Humidifier not supported (CN25 output is ON if CNF input has 12 VDC applied or if there is a relevant "CN25 peripheral ON" IT protocol request via CN105, regardless of mode or settings.)	1	2	
		Humidifier supported	2		
	16 (applies if Mode 13 = 2)	Heat operation & Thermo ON	1	1	
		Heat operation	2		
1-speed or 2-speed fan	23 <sup>1</sup>	Fan speed output signals G and Y to furnace	1 <sup>2</sup>	1	
		Fan speed output signals Y1 and Y2 to furnace	2 <sup>3</sup>		

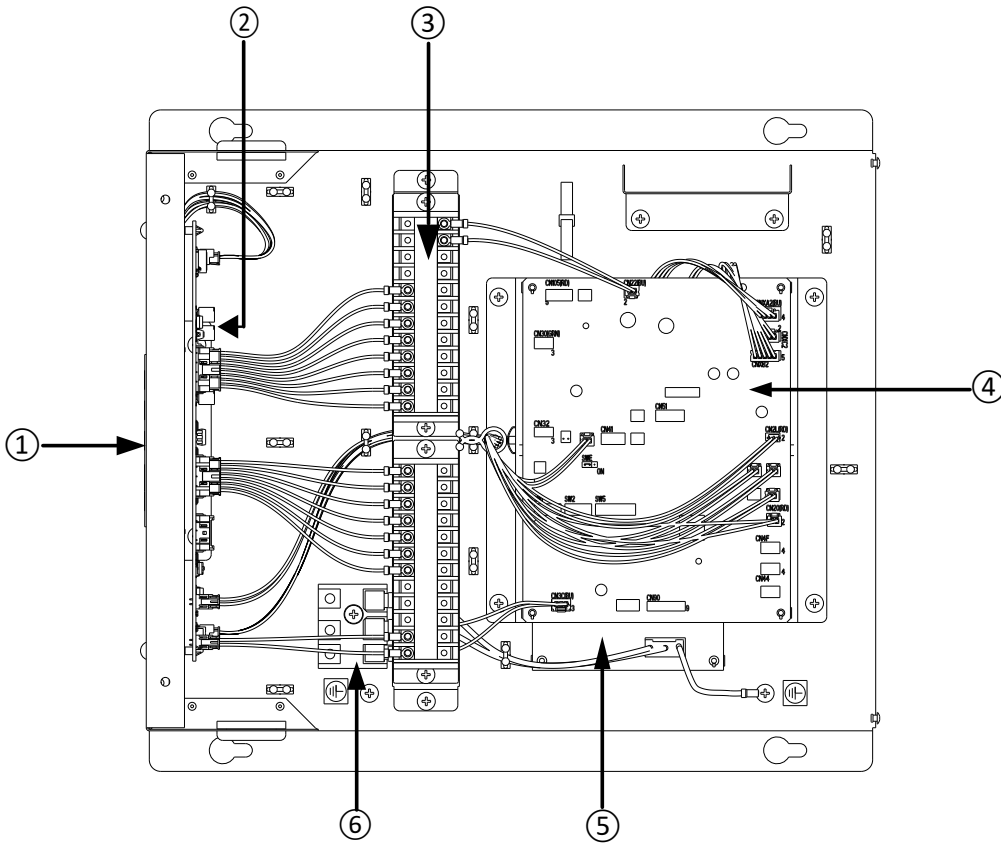
<sup>1</sup> After changing Mode 23 setting, you need to power cycle the system for the change to reliably take effect.

<sup>2</sup> If connecting to a furnace with only one fan speed for cooling represented by Y, set Mode 23 = 1.

<sup>3</sup> On furnaces that have Y1 and Y2, using the 2-speed mode (Mode 23=2) utilizes two fan speeds while heating or cooling with the heat pump. These furnaces may also be configured for one fan speed operation (Mode 23=1) during heating and cooling with the heat pump which only turns on G in Dry mode, lowering the fan speed and removing more humidity in Dry mode.

## 15.4. PAA unit control box

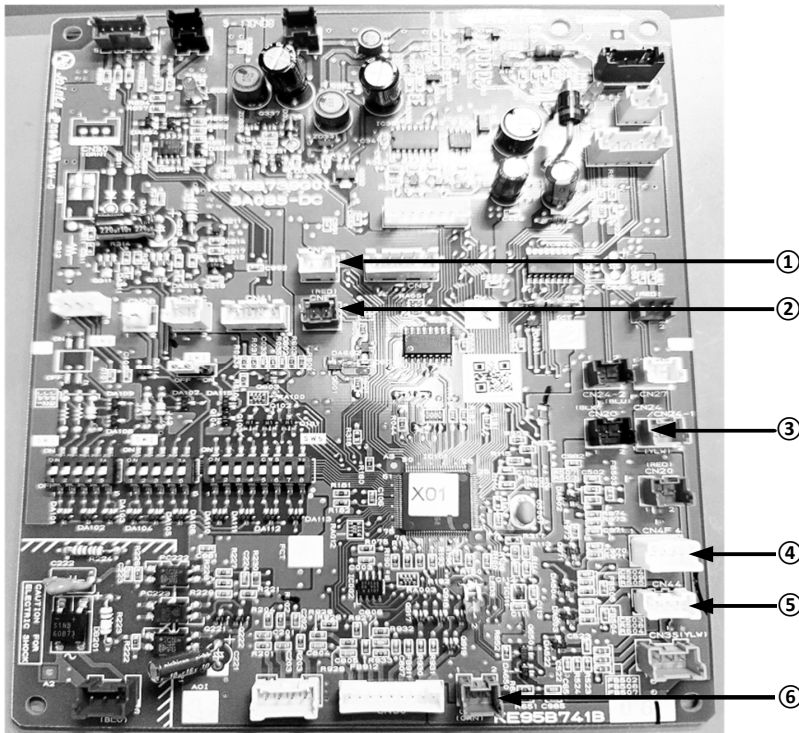
### Control box components



- ① User interface
- ② Relay board
- ③ Terminal blocks
- ④ Control board
- ⑤ Power board (underneath the control board)
- ⑥ AC input terminal block

ENGLISH

**Field-installed connections**



- ① CN25: Humidifier output (connector color: white)
- ② CNER: ERV input (connector color: red)
- ③ CN2C: ERV output (connector color: black)
- ④ CN4F: float switch (connector color: white)
- ⑤ CN44: TH02 and TH05 pipe temperatures (connector color: white)
- ⑥ CNF: Humidifier input (connector color: green)

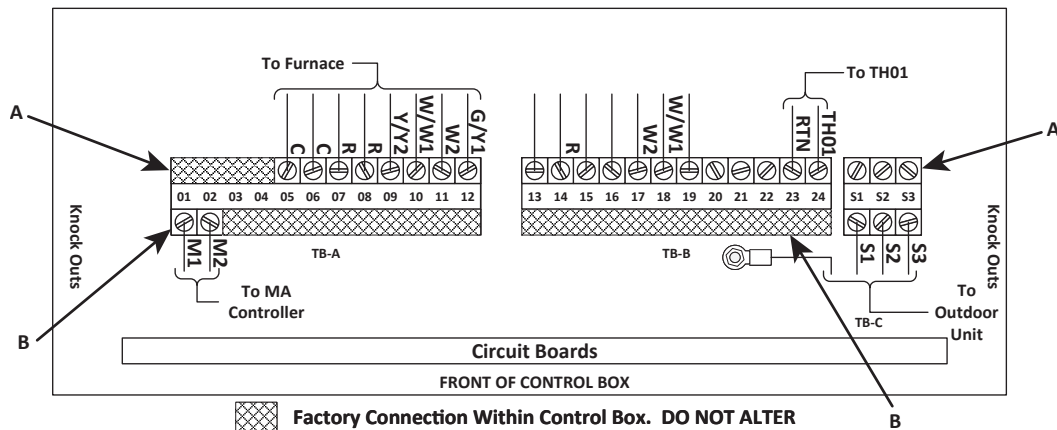


**NOTE**

The float switch may be used in any cabinet orientation, but is expressly required in the vertical orientation.

ENGLISH

**Terminal block pins (out)**



Pin	Signal	Pin	Signal
1B	MA communication bus M1. Wire color: blue	13A	Unused
2B	MA communication bus M2. Wire color: white	14A	Signal R to non-adjustable thermostat (NAT) (24 VAC hot) Wire color: red
3 A/B	Unused	15A	Unused
4 A/B	Unused	16A	Unused
5A	Signal C to furnace (24VAC return). Wire color: light blue, cyan or black	17A	Signal W2 to optional connection to NAT (may be connected to W1 to turn on both stages of furnace when requested by the NAT) (second stage of heating). Wire color: brown
6A	Signal C to furnace (24VAC return). Wire color: light blue, cyan or black	18A	Signal W1 to NAT (first stage of heating). Wire color: white
7A	Signal R to furnace (24VAC hot). Wire color: red	19A	Unused
8A	Signal R to furnace (24VAC hot). Wire color: red	20 A/B	Unused
9A	Signal Y/Y2 to signal Y (wire color: yellow) of furnace on 1-speed fan or to signal Y2 (wire color: blue) of furnace on 2-speed fan.	21 A/B	Unused
10A	Signal W1 to furnace (first stage of heating). Wire color: white	22 A/B	Unused
11A	Signal W2 to furnace (second stage of heating). Wire color: brown	23A	RTN (return air temperature sensor). Wire color: white
12A	Signal G/Y1 to signal G (wire color: green) of furnace on 1-speed furnace or to signal G and Y1 (wire color: yellow) on 2-speed furnace.	24A	TH01 return air temperature sensor). Wire color: black

ENGLISH

Lines from outdoor unit to indoor unit	Description
Terminal S1	Main power input line for the indoor unit from the outdoor unit.
Terminal S2	Return or neutral line for the indoor unit from the outdoor unit.
Terminal S3	Communication bus between outdoor unit and indoor unit.

## 15.5. Control signals to the furnace

Control signals to the furnace are the standard thermostat control signals R, C, W1, W2, Y/Y2 and G/Y1.

Line/ Terminal/ Signal	Usage
R	Provides 24VAC power from the furnace to the relay board and a limited number of devices connected to the relay board (required AC input voltage range: 23 V <sub>RMS</sub> to 30 V <sub>RMS</sub> ).
C	The 24VAC common wire between the furnace and the relay board.
W1	First stage of furnace command line from the relay board to the furnace.
W2	Second stage of furnace command line from the relay board to the furnace. W2 cannot be ON unless W1 is already ON.
G/Y1	For 1-speed configuration (Mode 23 = 1), connect this signal to G of the furnace. For 2-speed configuration (Mode 23 = 2), connect this signal to G and Y1 of the furnace. The G/Y1 signal is energized in Cool, Dry, Heat or Fan modes whenever the fan is turned on. This signal is also energized, as configured, in coordination with the humidifier and ERV/HRV.
Y/Y2	For 1-speed configuration (Mode 23 = 1), connect this signal to the Y connection on the furnace. In this configuration, the Y/Y2 signal turns on when fan is requested while in Cool mode or Heat mode using the heat pump. For 2-speed configuration (Mode 23 = 2), connect this signal to Y2 on the furnace. In this configuration, the Y/Y2 signal turns on as follows: <ul style="list-style-type: none"> <li>In Fan mode, Cool mode or Heat mode with heat pump when high speed fan is requested.</li> <li>In Auto Fan<sup>1</sup> and Cool mode, the signal goes to high speed when the difference between room temperature and set point temperature is more than or equal to 2° C. The signal goes back to low speed when the temperature difference is less than 1° C.</li> <li>In Auto Fan<sup>1</sup> and Heat mode with the heat pump, the signal goes to high speed when the difference between room temperature and set point temperature is more than or equal to 1° C for 3 minutes. The signal goes back to low speed when the temperature difference is less than or equal to 0.5° C.</li> </ul>

<sup>1</sup> Requires PUZ/PUY

To operate with the PAA unit, furnaces must have four minimum connections: R, C, W and G.



- On furnaces that only have a W and do not have a W2, connect W1 from the terminal block to the W of the furnace and make no connection with the W2 signal wire.
- On furnaces that do not have Y, configure for 1-speed mode and make no connection with the Y/Y2 signal wire. On furnaces that have Y (but not Y2), configure for 1-speed mode and connect G/Y1 to G of the furnace and Y/Y2 to Y of the furnace.
- On furnaces that have Y1 and Y2, using the 2-speed mode utilizes two fan speeds while heating or cooling with the heat pump. These furnaces may also be configured for one fan speed operation, which turns on only G in Dry mode, lowering the fan speed and removing more humidity in the Dry mode. To configure in 1-speed mode set mode 23=1 and connect G/Y1 to G of the furnace and Y/Y2 to Y1 and Y2 of the furnace. To configure in 2-speed mode set mode 23=2 and connect G/Y1 to G and Y1 of the furnace and Y/Y2 to Y2 of the furnace.

In addition:

- The TH02 and TH05 thermistor wires from the IDU coil must be plugged in to the CN44 connector on the control board.
- The TH01 thermistor wires must be connected to connections 23A and 24A on the terminal block in the PAA unit control box.

(See images "Field-installed connectors" and "Terminal block pins (out)" in the "PAA unit control box" section.)



### **WARNING**

**Ensure that you comply with the following requirements. Otherwise, results such as electric shock, fire or explosion may occur.**

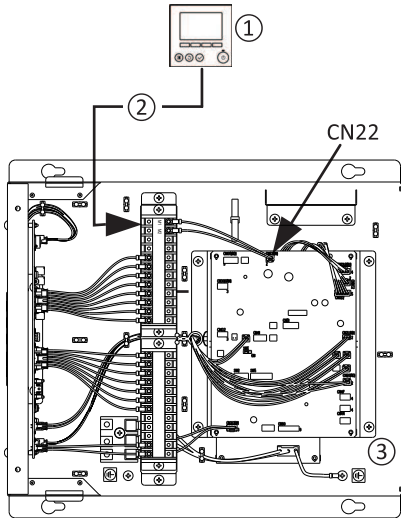
- **Terminate all unused wires with individual wire nuts to prevent inadvertent short circuits.**
- **Do not connect the unused lines together or to anything.**

## **15.6. PAA unit control options**

- MA remote controller
- IT terminal connection options

### 15.6.1. MA remote controller

The PAA unit control board can be controlled by an MA remote controller (non-polarized 2-wire) that is connected to the MA-bus. Connect the white and blue wires from the remote controller to connections 1B and 2B on the terminal block in the control box.



- ① MA remote controller
- ② MA bus (CN22: MA bus communications port)
- ③ PAA unit control box



#### CAUTION

Ensure that the wiring is not pinched when fitting the control box cover. Pinching the wiring may cut it or cause an inadvertent short circuit.



#### CAUTION

Install wiring so that it is not tight or under tension. Wiring under tension may break or overheat and burn. Fix power source wiring to control box by using buffer bushing or minimal tensile force. (PG connection or the like.) Connect transmission wiring to transmission terminal block through the knockout hole of the control box using ordinary bushing.



#### CAUTION

Install wiring so that it does not touch the board or surrounding parts. Wiring that touches surrounding parts may be cut by long-term operation.

**WARNING**

Do not use anything other than the correct capacity breaker and fuse. Using fuse, wire or copper wire with too large capacity may cause a risk of malfunction or fire.

After wiring is complete, make sure again that there is no tension on the connections and attach the cover onto the control box in the reverse order of the removal. Also, seal any openings created from wiring into the control box. This will prevent air leakage.

**WARNING**

Wire the power supply so that no tension is imparted. Otherwise disconnection, heating or fire may result.

**IMPORTANT**

Attach shielding ground on the outdoor unit's ground terminal.

If the remote controller cable exceeds 10 m [32 ft.], use a 1.25 mm<sup>2</sup> [AWG16] diameter cable over the exceeded portion and add that exceeded position to within 200 m [656 ft] of the remote controller.

**15.6.2. IT terminal connection options**

Instead of an MA remote controller, the PAA unit control board can also be controlled by one of the following controls connected to the IT terminal via CN105:

- kumo cloud<sup>®</sup> app via Wireless Interface 2 (PAC-USWHS002-WF-2)
- MHK2 controller
- Combination of kumo cloud app and Wireless Interface 2 (PAC-USWHS002-WF-2) with MHK2 controller

**NOTE**

The PAA unit is compatible with kumo cloud<sup>®</sup> app version 2.10 and above.



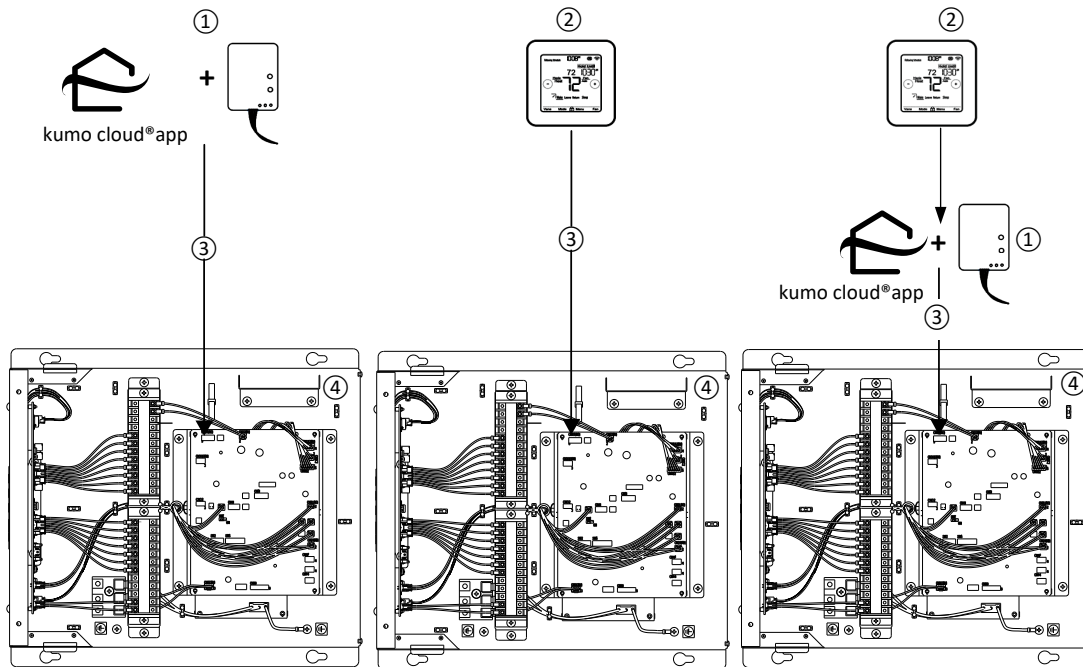
## IMPORTANT

- Use care when installing the Wireless Interface. Make certain that it is outside the control box and away from metal surfaces which might interfere with the ability of the interface to communicate with the local wireless router.
- The system is designed to fully integrate control of heat pump heat and furnace heat, and does not allow for separate user control of the heat pump or furnace heat.



## NOTE

Before installing or servicing the system, always turn off main power to the system.



- ① kumo cloud app + Wireless Interface 2
- ② MHK2 controller
- ③ IT terminal (CN105: IT terminal communications port)
- ④ PAA unit control box

## 15.7. DIP switch for emergency thermostat

Using DIP switch SW01 settings on the relay board, you can select one of two modes—Test or Emergency—to operate in.

If DIP switch SW01-4 is set to ON, the PAA unit enters Test mode. While in Test mode, the installer can use the push buttons on the control box user interface to set W1 and W2 to ON or OFF. See the "Control box user interface" image below.



### WARNING

To ensure proper and safe operation of the unit, do not leave the home while the Test mode is running. Otherwise, results such as electric shock, fire or explosion may occur.

You can configure the initial (ON or OFF) state of the Test W1 and W2 heat signals in Test mode. Setting DIP switch SW01-2 to ON turns the Test W1 signal ON immediately once the furnace is powered on. Otherwise, the Test W1 signal will be OFF.

Setting DIP switch SW01-3 to ON turns the Test W2 signal ON immediately once the furnace is powered on. Otherwise, the Test W2 signal will be OFF.

Steps to check the furnace operation in Test mode:

**Step 1:** Power off system if not already off.

**Step 2:** Wait for 3 minutes; this ensures that the unit is completely powered down.

**Step 3:** Set SW01-4 to ON for Test mode.

**Step 4:** Turn the furnace breaker ON. Ensure that the outdoor unit system breaker is OFF. You are now in Test mode. Verify the Test mode indicator (red color) on the control box user interface is ON.

**Step 5:** Press W1 ON on the control box user interface to turn on the first stage of furnace heat. Verify that the furnace fan turns on along with furnace heat.

**Step 6:** Press W2 ON on the control box user interface to turn on the second stage of furnace heat. Verify that the furnace output increases. This is only applicable for furnaces with two stages. Single-stage furnace shows no difference.

**Step 7:** Power down the furnace.

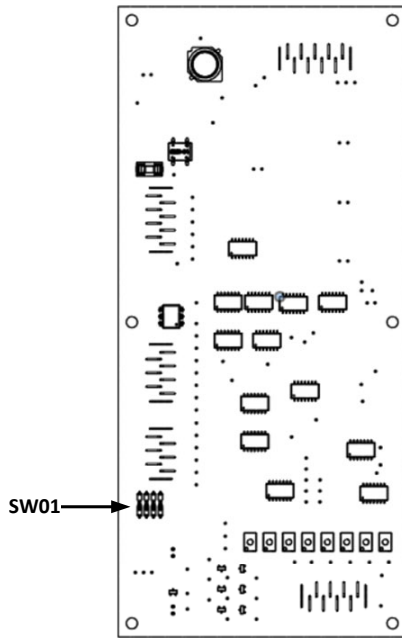
**Step 8:** Set SW01-4 to OFF to disable Test mode.



### NOTE

- The PAA unit system enters emergency mode if power is still applied to the furnace and (a) the outdoor unit loses power or (b) there is an error state that does not allow full system control. The PAA unit remains in emergency mode until power is restored to the outdoor unit or the error is resolved.
- If DIP switch SW01-4 is set to OFF, the NAT connected to the PAA unit control box controls the heat applied to the furnace during an emergency mode failover.

**Relay board SW01 DIP switch settings**



**SW01-1 Power to non-adjustable thermostat**

- ON (default): Power from the furnace is supplied to the NAT.
- OFF: Power supply from the furnace to the NAT is disconnected.

**SW01-2 W1 initial state in Test mode**

- ON: W1 is initially switched on when entering Test mode.
- OFF (default): W1 is initially switched off when entering Test mode.



**WARNING**

If SW01-2 and SW01-4 is set to ON, the furnace will start heating immediately upon a loss of power to the outdoor unit.

Therefore, during gas furnace test operation or maintenance, be sure to power up the outdoor unit prior to powering up the furnace. Conversely, when powering down the system, the furnace should be powered down prior to powering down the outdoor unit. If operated improperly, it may result in gas leakage/poisoning, fire or explosion due to unexpected gas furnace operation.

**SW01-3 W2 initial state in Test mode**

- ON: W2 is initially switched on when entering Test mode.
- OFF (default): W2 is initially switched off when entering Test mode.



**NOTE**

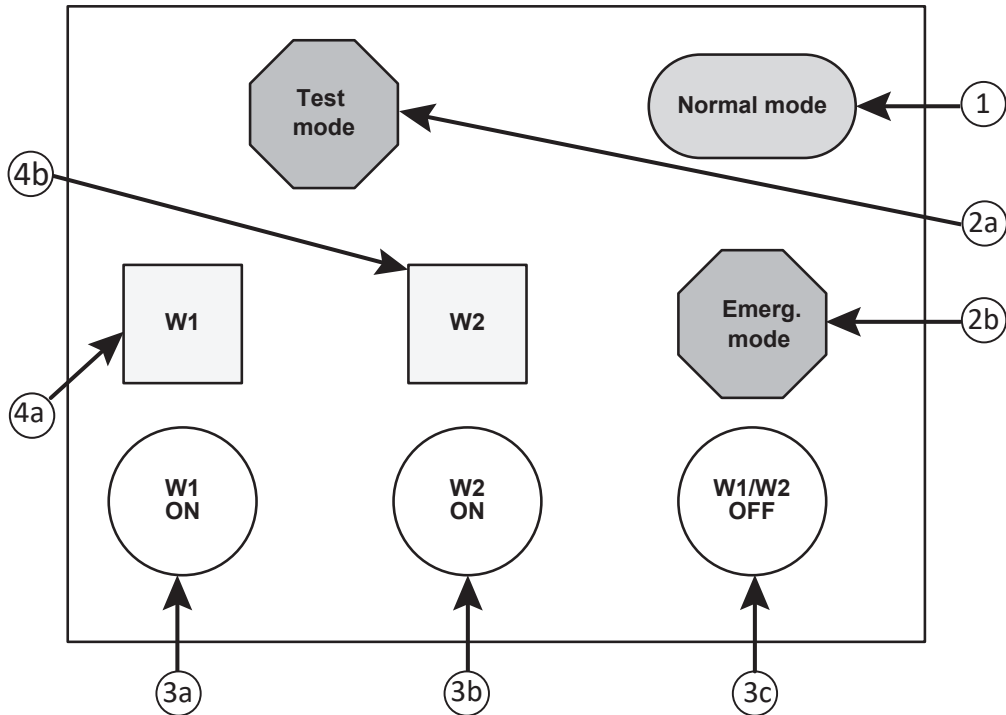
To enable W2, W1 must be on. Otherwise, W2 will not operate.

**SW01-4 Mode operation**

- ON: Test mode operation, which is controlled by push buttons on the PAA unit control box user interface.
- OFF (default): Emergency mode operation, which is controlled by the NAT.

ENGLISH

**Control box user interface**



- 1. Normal mode (indicator color: green). When illuminated, it means that the system is functioning normally.
- 2a. Test mode (indicator color: red) - installer only setting.
- 2b. Emergency mode (indicator color: red). If illuminated, it means that the system is in error mode. If required, please contact a dealer, contractor or technician with certifications required by laws and codes.
- 3a. W1 ON - installer only settings.  
Test mode push button (not illuminated, button color: white)
- 3b. W2 ON - installer only settings.  
Test mode push button (not illuminated, button color: white)
- 3c. W1 and W2 OFF - installer only settings.  
Test mode push button (not illuminated, button color: white)
- 4a. First stage heat (emergency mode) (indicator color: amber) - installer only settings.
- 4b. Second stage heat (emergency mode) (indicator color: amber) - installer only settings.



**IMPORTANT**

**Be sure to change back to Normal mode operation after Test mode operational checks are completed!**

ENGLISH



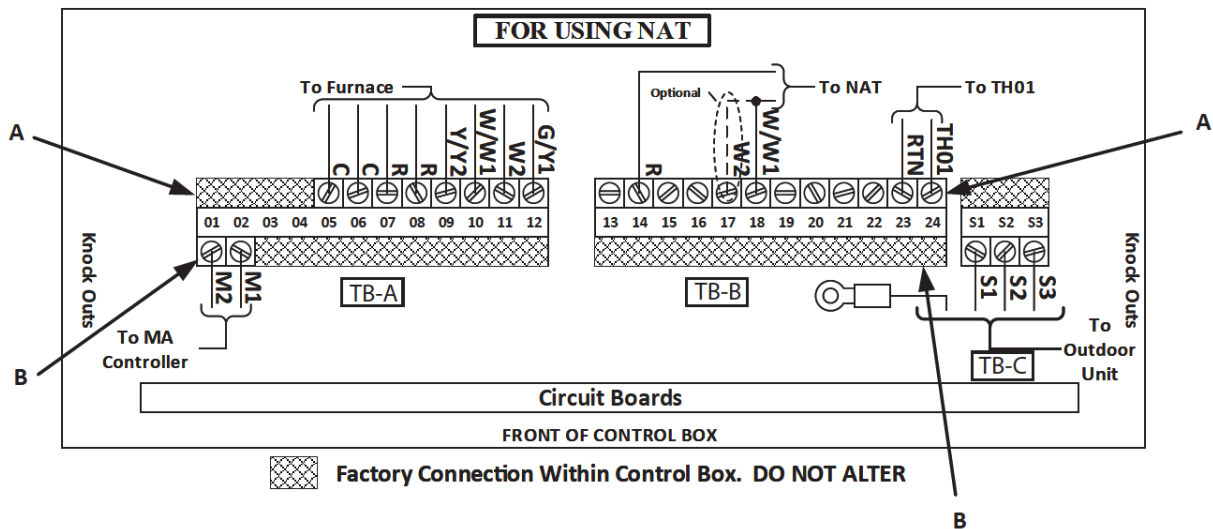
**NOTE**

- The Test and the Emergency modes cannot occur at the same time.
- To enable W2, W1 must be ON.

The non-adjustable thermostat (NAT), a construction-style thermostat included in the accessories bag, should be used as the emergency thermostat.

Install the NAT in the return air duct next to the TH1 thermistor and connect the NAT between R and W1 on the control box. To enable both W1 and W2 to come on when the emergency thermostat calls for heat, connect the W1 and W2 together to one side of the NAT and R to its other side.

**Non-adjustable (emergency) thermostat connection**



**15.8. Balance points**

The PAA unit automatically switches between heat pump heating and furnace heating based upon configuration parameters and operational data.

The unit supports two outdoor temperature set points—Economic Balance Point and Capacity Balance Point—that determine the most efficient method of heating.

**15.8.1. Economic balance point**

The Economic Balance Point is the outdoor temperature above which it is more efficient to heat with the heat pump and below which it is more efficient to heat with the furnace.

The ideal Economic Balance Point (using a remote controller) will depend on the cost of the fossil fuel being used for the furnace, the efficiency of the furnace, the cost of electricity, and the efficiency of the heat pump for heating based upon various outdoor temperatures.

To configure the Economic Balance Point using MA controller, kumo cloud® app and MHK2 controllers, please refer to the respective manuals.



Use Mode 8 and Mode 10 settings to select the Economic Balance Point that the PAA unit will use. Mode may be referred to as indoor unit function code in some other literature. Please refer to the controls product manual for more information.

Indoor Unit Settings			Outdoor Unit (Extended outdoor air temperature) (see Extended Balance Point section below)
Mode 8	Mode 10	Balance point	
1	1	-13° C (9° F)	-24° C (-11° F)
1	2	-10° C (14° F)	-13° C (9° F)
2	1	Furnace Only	Furnace Only
2	2	-7° C (19° F)	-10° C (14° F)
3	1	-3° C (27° F)	-3° C (27° F)
3	2	0° C (32° F) (default)	0° C (32° F) (default)



**NOTE**

When the PAA unit is connected to a cooling-only unit, configure Mode 8 and Mode 10 for Furnace Only heating.

Below the Economic Balance Point, only the furnace is used for heating. Above the Economic Balance Point, either the heat pump or furnace is used for heating.

In cold climates where the PAA unit may be sized for the cooling load rather than the heating load, the system may not have the capacity to heat the space even at temperatures above the Economic Balance Point.

**15.8.2. Capacity balance point**

When the PAA unit is first used and the outdoor air temperature is above the Economic Balance Point, the kit first tries to heat the space with the heat pump.

If the kit is unable to heat the space (most likely due to insufficient heating capacity at the current outdoor temperature), the unit records the current outdoor temperature as the Capacity Balance Point and switches to heating with the furnace.

During subsequent calls for heat, if the outdoor temperature is below either the Capacity Balance Point or the Economic Balance Point, then only the furnace is used for heating. If the outdoor air temperature is above both the Capacity Balance Point and Economic Balance Point, then the heat pump tries to heat the space first.

Capacity Balance Point is incrementally reduced, periodically, until equal to the Economic Balance Point value.

If Mode 25 = 2 and Mode 27 = 2 (which are the recommended initial settings), the PAA unit turns the fan off in thermal off.

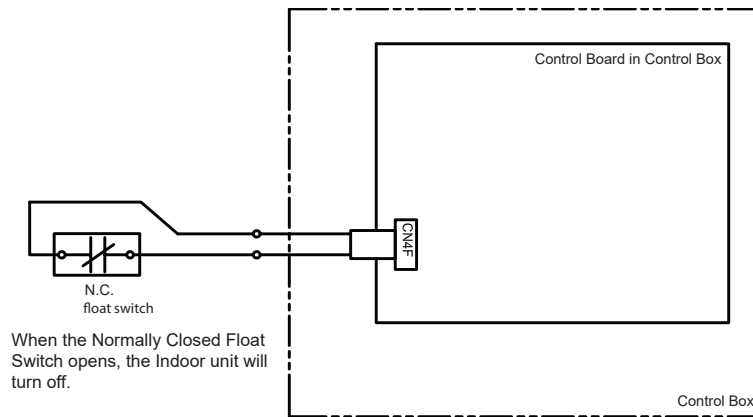
ENGLISH

### 15.8.3. Extended balance point

Some outdoor units may have the capacity to report lower outdoor temperatures, below  $-15^{\circ}\text{C}$  ( $5^{\circ}\text{F}$ ). For information about the outdoor unit's Extended Balance Point capability, refer to the respective outdoor unit manual. The PAA (indoor) unit firmware automatically detects whether the connected outdoor unit has this capability and adjusts the meaning of Mode 8 and Mode 10 accordingly (\* see "Outdoor Unit-Extended outdoor air temperature" in the table in the "Economic balance point" section above).

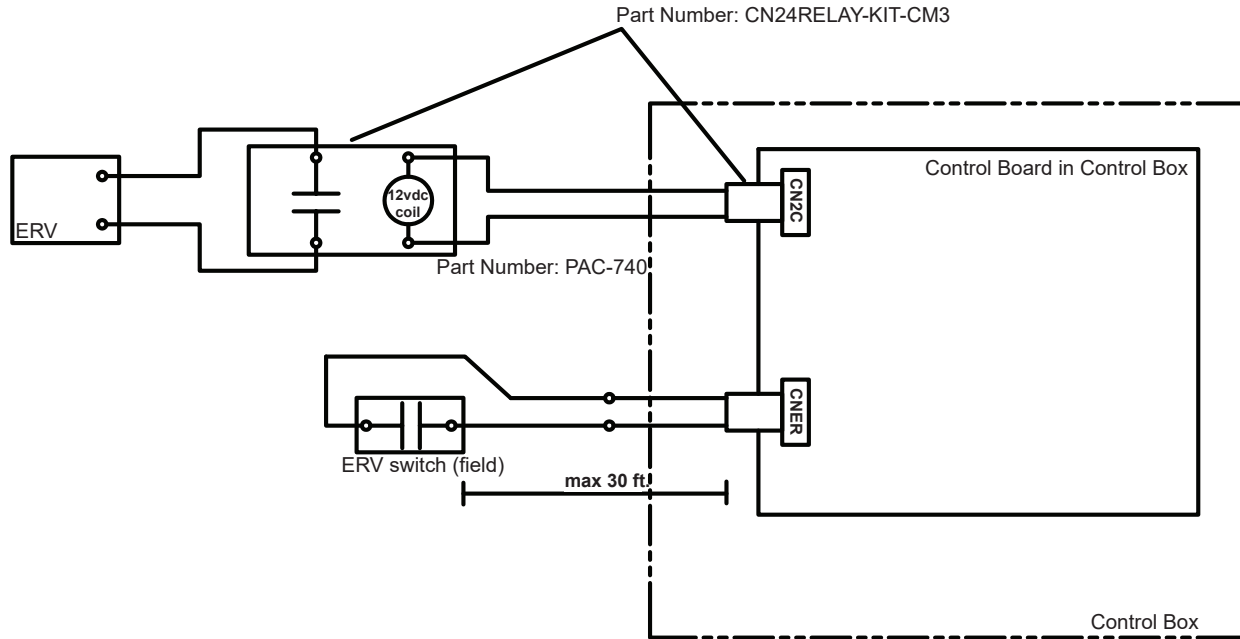
### 15.9. Condensate overflow safety switch connection (CN4F)

The PAA unit is equipped with a drain pan overflow detection switch and a wire harness for the CN4F connector. The wire harness and switch must be installed before operating the unit. Otherwise the unit will give out an error and cool mode will not run. The switch is a normally closed switch that connects to the two wires coming from the CN4F connector supplied with the PAA unit. If the switch is open, the unit no longer operates in Cool or Dry mode. See installation below:



Frequently, a condensate pump is used to pump the condensate from the PAA unit to a drain installed at a higher elevation than the PAA unit. Many condensate pumps have an overflow switch that detects if the reservoir is about to overflow for any reason. Typically, these overflow switches are also normally closed switches that should be wired in series with the drain pan overflow switch as in the illustration above.

## 15.10. Energy recovery ventilation (ERV)



ENGLISH

### ERV Switch

- Non-Voltage a-contact input
- Contact rating current  $\geq 0.1$  A
- Contact rating voltage  $\geq 15$  VDC
- Minimum applicable load  $\leq 1$ mA at DC

ERV output	Condition	Furnace blower (expected operation)	CN2C output (expected furnace blower output)
<b>CNER input</b>			
OFF	Cool/Heat/Fan operation	ON <sup>1 2</sup>	ON
	Defrost	STOP	OFF
	STOP	STOP	OFF
ON	Cool/Heat/Fan operation	ON <sup>1</sup>	ON
	Defrost	STOP	OFF
	STOP	ON <sup>1</sup>	ON

<sup>1</sup> The G/Y1 signal to the furnace is energized to turn on the furnace blower. If kumo cloud® app is used and configured to operate a second stage blower speed, the Y/Y2 signal is also energized.

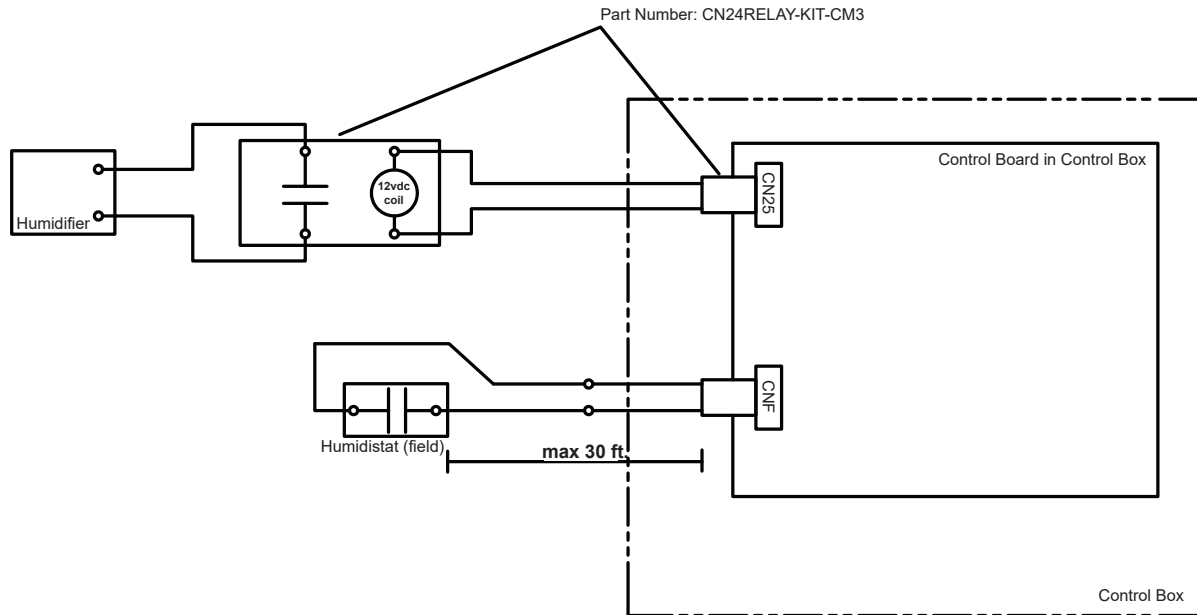
<sup>2</sup> It is recommended to set Modes 25 and 27 to 2, in order to have the indoor fan stop running when set temperature is met. Otherwise, CN2C will energize the ERV 24/7.

### 15.10.1. HRV/ERV heating operation for MXZ system

When using an HRV/ERV, please take appropriate consideration when operating it during heating.

Model	Description
MXZ-3C24/3C30/4C36/5C42NA3 MXZ-3C24/3C30NAHZ3	When the furnace blower is moving air for HRV/ERV operation, the unit may provide warm air to the occupied space, even in Thermo-Off mode.
MXZ-SM36/42/60NAM MXZ-SM36/42/48NAMHZ	

## 15.11. Humidifier



### Humidifier Control

Sequence of operation:

1. The humidistat closes CNF.
2. The furnace blower turns on.
3. CN25 provides 12 VDC to turn on the humidifier (do not exceed 1 watt draw per relay).
4. When the humidistat opens CNF, the furnace blower continues to run for 30 seconds to clear the ductwork of moist air.
5. If defrost starts during humidifier operation, CN25 de-energizes.

Humidistat:

- Non-voltage a-contact input
- Contact rating voltage  $\geq 15$  VDC
- Contact Rating Current  $\geq 0.1$  A
- Minimum Applicable Load  $\leq 1$  mA at DC

Mode no.	Setting no.	Settings
13	1	Humidifier not supported (CN25 output is ON if CNF input has 12 VDC applied or if there is a relevant "CN25 peripheral ON" IT protocol request via CN105, regardless of mode or settings)
	2	Humidifier supported
16 (applies if Mode no. 13 Setting no. = 2)	1	See Mode 16 table below.
	2	See Mode 16 table below.

Mode no. 16	CNF Input (humidistat)	Condition (No Defrost/No Error)	CN25 Output	Furnace Blower
1 <sup>1</sup>	OFF	Heat operation & Thermo OFF	OFF	OFF <sup>2</sup>
		Heat operation & Thermo ON		
	ON	Heat operation & Thermo OFF	OFF	OFF <sup>2</sup>
		Heat operation & Thermo ON	ON	ON <sup>2</sup>
2	OFF	Heat operation & Thermo OFF	OFF	OFF <sup>2</sup>
		Heat operation & Thermo ON		
	ON	Heat operation & Thermo OFF	ON	ON <sup>2</sup>
		Heat operation & Thermo ON		

<sup>1</sup> Factory setting

<sup>2</sup> The G/Y1 signal to the furnace is energized to turn on the furnace blower. If kumo cloud<sup>®</sup> app is used and configured to operate a second stage blower speed, the Y/Y2 signal is also energized.



**NOTE**

- Humidifier output will only run when in heating mode.
- Mode 25 set to 1 = furnace fan on, when thermo OFF. Mode 25 set to 2 = furnace fan off, when thermo OFF.

## 16. Test run

### 16.1. Before test run

After completing installation and the wiring and piping of the indoor and outdoor units, check for refrigerant leakage, looseness in the power supply or control wiring, wrong polarity, and no disconnection of one phase in the supply. Use a 500-volt megohmmeter to check that the resistance between the power supply terminals and ground is at least 1.0 MΩ. Do not carry out this test on the control wiring (low voltage circuit) terminals.



#### WARNING

If SW01-2 and SW01-4 is set to ON, the furnace will start heating immediately upon a loss of power to the outdoor unit. Therefore, during gas furnace test operation or maintenance, be sure to power up the outdoor unit prior to powering up the furnace. Conversely, when powering down the system, the furnace should be powered down prior to powering down the outdoor unit. If operated improperly, it may result in gas leakage/poisoning, fire or explosion due to unexpected gas furnace operation.



#### WARNING

Do not use the air conditioner if the insulation resistance is less than 1.0 MΩ. Otherwise, results such as electric shock, fire or explosion may occur.

Open the stop valves isolating the PAA unit from the outdoor unit before starting operation to avoid refrigerant pipe bursting during furnace operation.

After installation or after the power source to the unit has been cut for an extended period, the insulation resistance will drop below 1 MΩ due to refrigerant accumulating in the compressor. This is not a malfunction. Perform the following procedures.

1. Remove the wires from the compressor and measure the insulation resistance of the compressor.
2. If the insulation resistance is below 1 MΩ, the compressor is faulty or the resistance dropped due the accumulation of refrigerant in the compressor.
3. After connecting the wires to the compressor, the compressor will start to warm up after power is supplied. After supplying power for the times indicated below, measure the insulation resistance again.
  - The insulation resistance drops due to accumulation of refrigerant in the compressor. The resistance will rise above 1 MΩ after the compressor is warmed up for two to three hours. (The time necessary to warm up the compressor varies according to atmospheric conditions and refrigerant accumulation.)
  - To operate the compressor with refrigerant accumulated in the compressor, the compressor must be warmed up at least 12 hours to prevent breakdown.
4. If the insulation resistance rises above 1 MΩ, the compressor is not faulty.

**CAUTION**

- The compressor will not operate unless the power supply phase connection is correct.
- Turn on the power at least 12 hours before starting operation. – Starting operation immediately after turning on the main power switch can result in severe damage to internal parts. Keep the power switch turned on during the operational season.

**16.2. Test run**

Refer to the installation manual that comes with each remote controller for details.

**16.3. Self check**

Refer to the installation manual that comes with each remote controller for details.

IR and RF controller not supported.

<b>[Output pattern A] Errors detected by indoor unit</b>		
<b>Wired remote controller Check code</b>		<b>Symptom</b>
P1	5101	Intake sensor error
P2, P9	5102, 5105	Pipe (Liquid or 2-phase pipe) sensor error
E6, E7	6840	Indoor/outdoor unit communication error
P4	2502	Drain sensor error
P5	5701	Drain pump error
P6	1501	Freezing/Overheating safeguard operation
EE	-	Communication error between indoor and outdoor units
P8	1503	Pipe temperature error
E4	6834	Remote controller signal receiving error
Fb	4109	Indoor unit control system error (memory error, etc.)

<b>[Output pattern B] Errors detected by unit other than indoor unit (outdoor unit, etc.)</b>	
<b>Check code</b>	<b>Symptom</b>
E9	Indoor/outdoor unit communication error (Transmitting error) (Outdoor unit)
UP	Compressor overcurrent interruption
U3, U4	Open/short of outdoor unit thermistors
UF	Compressor overcurrent interruption (when compressor locked)
U2	Abnormal high discharging temperature/49C worked/ Insufficient refrigerant
U1, Ud	Abnormal high pressure (63H worked)/Overheating safeguard operation
U5	Abnormal temperature of heat sink
U8	Outdoor unit fan protection stop
U6	Compressor overcurrent interruption/Abnormal of power module
U7	Abnormality of super heat due to low discharge temperature
U9, UH	Abnormality such as overvoltage or voltage shortage and abnormal and synchronous signal to main circuit/Current sensor error
others	Other errors (refer to the technical manual for the outdoor unit.)

- On wired remote controller, check code displayed on the LCD.
- If the unit cannot be operated properly after the above test run has been performed, refer to the following table to remove the cause.

<b>Symptom</b>		<b>LED 1, 2 (PCB in outdoor unit)</b>	<b>Cause</b>
<b>Wired remote controller</b>			
PLEASE WAIT	For about 2 minutes following power-on	After LED 1, 2 are lighted, LED 2 is turned off, then only LED 1 is lighted. (Correct operation)	– For about 2 minutes after power-on, operation of the remote controller is not possible due to system startup. (Correct operation)
PLEASE WAIT → Error code	After about 2 minutes has expired following power-on	Only LED 1 is lighted. → LED 1, 2 blink.	– Connector for the outdoor unit's protection device is not connected. – Reverse or open phase wiring for the outdoor unit's power terminal block (L1, L2, L3)
Display messages do not appear even when operation switch is turned ON (operation lamp does not light up).	After about 2 minutes has expired following power-on	Only LED 1 is lighted. → LED 1, 2 blinks twice, LED 2 blinks once.	– Incorrect wiring between indoor and outdoor units (incorrect polarity of S1, S2, S3) – Remote controller wire short



**NOTE**

Operation is not possible for about 30 seconds after cancellation of function selection.  
(Correct operation)

For description of each LED (LED1, 2, 3) provided on the indoor controller, refer to the following table.

LED 1 (power for microcomputer)	Indicates whether control power is supplied. Make sure that this LED is always lit.
LED 2 (power for remote controller)	Indicates whether power is supplied to the remote controller. This LED lights only in the case of the indoor unit which is connected to the outdoor unit refrigerant address "0".
LED 3 (communication between indoor and outdoor units)	Indicates state of communication between the indoor and outdoor units. Make sure that this LED is always blinking.

## 16.4. Auto restart function

### Indoor controller board

This model is equipped with the AUTO RESTART FUNCTION.

When the indoor unit is controlled with the remote controller, the operation mode, set temperature, and the fan speed are memorized by the indoor controller board.

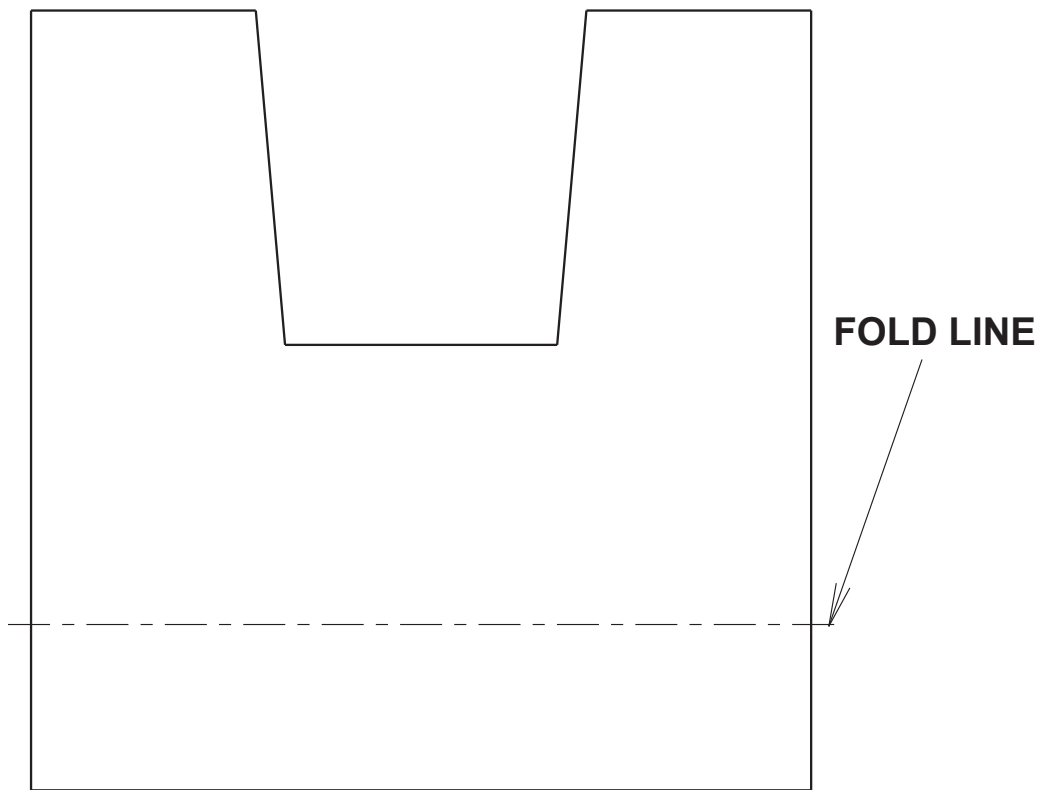
The auto restart function works after power is restored after a power failure. The unit will restart automatically approximately 4 minutes after power is restored.

Set the AUTO RESTART FUNCTION using the remote controller. (Mode no. 01)

# 17. Cut out gauge

ENGLISH

## CUT OUT GAUGE TEMPLATE



100% SCALE MODEL

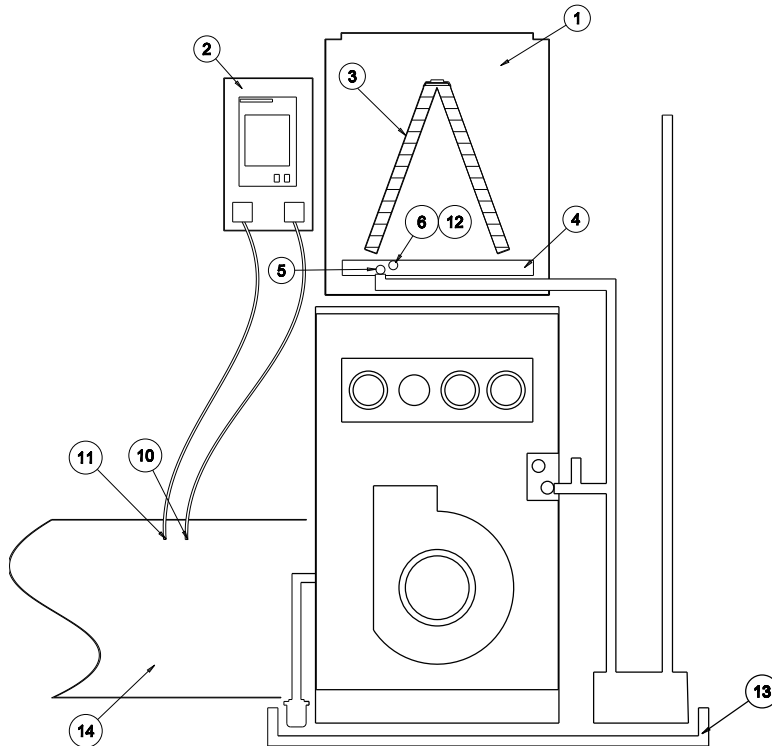
# 1. Avertissement

- Ce produit doit être installé, réparé, entretenu, déplacé, etc. uniquement par du personnel ayant la formation, les qualifications et les certifications appropriées, comme l'exigent les lois et les codes.
- L'installation, la réparation, l'entretien, le déplacement, etc. par des personnes sans formation, qualifications et certifications appropriées, comme l'exigent les lois et les codes, ou négliger de lire et de suivre entièrement toutes les précautions et instructions de sécurité de ce manuel peut entraîner des blessures graves ou la mort.
- Assurez-vous de lire attentivement ce manuel et de suivre l'ensemble des avertissements, mises en garde et instructions; le non-respect de cette consigne peut entraîner une décharge électrique, des dommages matériels, des dommages aux équipements, une suffocation, un incendie, de la fumée, des explosions et un empoisonnement.

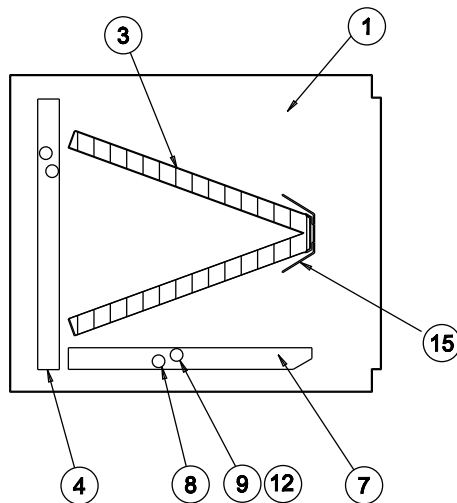
## 2. Présentation et dimensions du système

### 2.1. Présentation du système

#### Installations verticales



#### Installations horizontales



1. Armoire d'unité PAA
2. Boîte de commande
3. Échangeur de chaleur (hex)
4. Bac de récupération principal
5. Canalisation principale de bac de récupération principal
6. Canalisation secondaire du bac de récupération principal
7. Bac de récupération latéral (pour installation horizontale)
8. Canalisation principale du bac de récupération latéral (pour installation horizontale)
9. Canalisation secondaire du bac de récupération latéral (pour installation horizontale)
10. Thermistance TH1
11. ACH065 (thermostat non réglable, NAT)
12. Interrupteur à flotteur (installé sur le drain secondaire)
13. Bac de récupération auxiliaire (non inclus avec l'unité PAA)
14. Conduit d'entrée (non inclus avec l'unité PAA)
15. Plaque supérieure (pour installation horizontale)



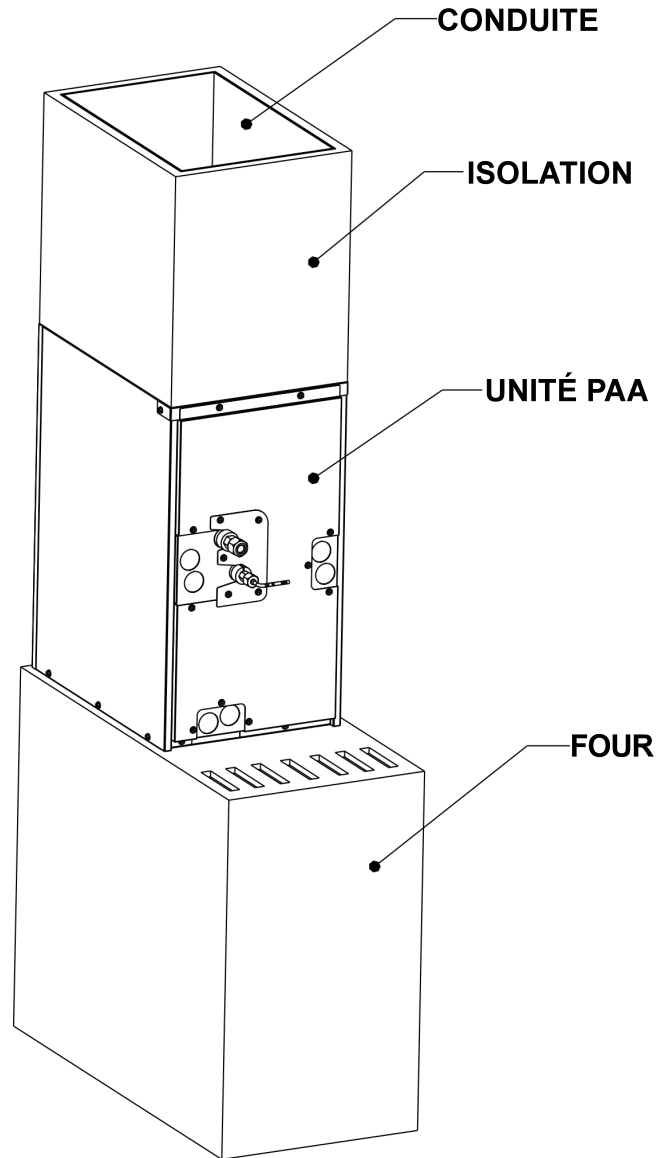
#### NOTE

Les articles 13 et 14 sont fournis à titre de référence seulement et ne sont pas fournis par Mitsubishi Electric US, Inc.



**NOTE**

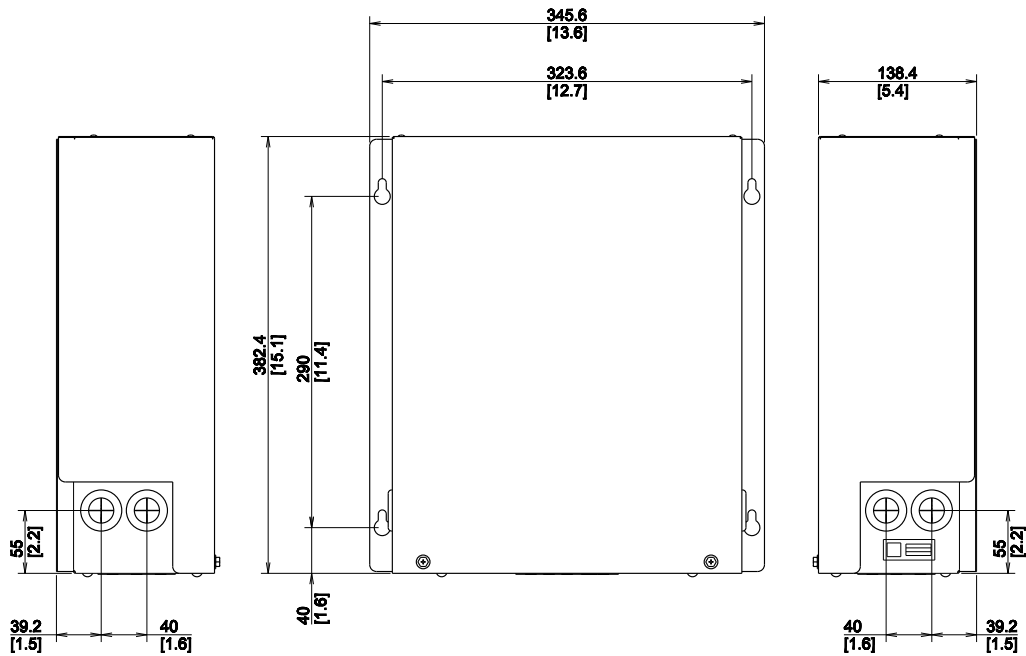
Pour un débit d'air et une performance du système adéquats, n'installez que des bobines qui correspondent à moins de 1 po de largeur de la chaudière.





Modèle	A mm (pouces)	B mm (pouces)	C mm (pouces)	D mm (pouces)
PAA-A18AA1	368.3 (14-1/2)	313.1 (12-5/16)	332.7 (13-1/16)	697 (27-7/16)
PAA-A18BA1	445.0 (17-1/2)	390.0 (15-5/16)	409.6 (16-1/8)	697 (27-7/16)
PAA-A24AA1	368.3 (14-1/2)	313.1 (12-5/16)	332.7 (13-1/16)	697 (27-7/16)
PAA-A30AA1	368.3 (14-1/2)	313.1 (12-5/16)	332.7 (13-1/16)	697 (27-7/16)
PAA-A24BA1	445.0 (17-1/2)	390 (15-5/16)	409.6 (16-1/8)	697 (27-7/16)
PAA-A30BA1	445.0 (17-1/2)	390 (15-5/16)	409.6 (16-1/8)	697 (27-7/16)
PAA-A36BA1	445.0 (17-1/2)	390 (15-5/16)	409.6 (16-1/8)	811.6 (32)
PAA-A42BA1	445.0 (17-1/2)	390 (15-5/18)	409.6 (16-1/8)	811.6 (32)
PAA-A36CA1	534.6 (21)	479.4 (18-7/8)	499 (19-5/8)	811.6 (32)
PAA-A42CA1	534.6 (21)	479.4 (18-7/8)	499 (19-5/8)	811.6 (32)

**Boîtier de commande**



### 3. Contrôler l'expédition

Les appareils PAA sont complètement assemblés à l'usine et tous les composants font l'objet d'un essai de performance. Chaque unité est composée d'un serpentin de frigorigène dans un boîtier d'usine en acier galvanisé isolé, de commandes dans un boîtier d'usine en acier galvanisé et d'accessoires (la liste des articles inclus dans le sac d'accessoires est détaillée dans le chapitre « Accessoires de l'unité intérieure »). Des alvéoles défonçables sont fournies pour les raccordements de tuyau de vidange dans l'installation horizontale. Vérifiez la plaque signalétique de l'appareil afin de confirmer qu'il est conforme aux spécifications de la commande. À la réception de l'équipement, inspectez-le soigneusement pour des signes de dommages. Examinez l'appareil très attentivement si l'emballage est endommagé. Si vous trouvez des dommages, vous devez le noter sur le connaissance du transporteur. Les réclamations pour des dommages doivent être présentées au transporteur immédiatement. Les réclamations pour des articles manquants doivent être présentées au revendeur dans les 5 jours.

Ne procédez pas à l'installation ou au fonctionnement de l'APA si des pièces ou des composants sont endommagés. Cela pourrait entraîner des risques importants pour la sécurité, y compris des blessures, pour l'installateur. Reportez-vous à l'avertissement « Directives de sécurité » dans la section « Avant l'installation et le travail électrique » du chapitre « Précautions de sécurité » pour plus d'informations.



## 4. Avis de non-responsabilité

Les données et les renseignements présentés dans ce document sont fondés sur des tests et des renseignements, que nous croyons fiables. Ce document est fourni à titre informatif seulement et ne constitue pas une garantie, expresse ou implicite, y compris toute garantie de qualité marchande ou d'adéquation. Les instructions, les avertissements et les mises en garde de ce manuel d'installation ne sont pas facultatifs et doivent être suivis afin d'assurer le bon fonctionnement du produit et d'éviter toute blessure ou tout dommage à la propriété. Il incombe à l'installateur de s'assurer que l'utilisation et l'installation de ce produit sont conformes à tous les codes du bâtiment nationaux et locaux applicables.

Le fabricant ne sera pas responsable des dommages, structurels ou autres en raison du non-respect des exigences d'installation énumérées dans ce manuel.

## 5. Précautions de sécurité

- Avant d'installer l'appareil, assurez-vous de lire toutes les précautions de sécurité.
- Assurez-vous que toutes les précautions sont respectées.
- Lisez attentivement les étiquettes apposées sur l'unité principale.

Symboles utilisés dans le texte



### AVERTISSEMENT

Décrit les précautions à observer pour prévenir le danger de blessure ou de mort pour l'utilisateur.



### ATTENTION

Décrit les précautions à observer pour éviter d'endommager l'unité.

### 5.1. Avant l'installation et les travaux électriques



### IMPORTANT

L'Environmental Protection Agency of the United States (EPA) et les agences environnementales provinciales canadiennes ont publié divers règlements concernant l'introduction et l'élimination des réfrigérants. Le non-respect de ces règlements peut nuire à l'environnement et entraîner l'imposition d'amendes substantielles.



### NOTE

L'installation de l'unité est réglementée par le code mécanique adopté par l'autorité compétente.



## AVERTISSEMENT

### Risques liés à l'installation de l'unité PAA

- L'unité PAA doit être installée par un concessionnaire, un entrepreneur ou un technicien ayant les certifications requises par les lois et les codes.
  - Toute mauvaise installation par l'installateur peut entraîner des blessures ou endommager l'appareil, par exemple fuite d'eau, choc électrique ou incendie.
- Installez l'unité intérieure dans un endroit qui peut supporter son poids.
  - Une force inadéquate peut entraîner la chute de l'appareil, entraînant des blessures.
- Anticipez les typhons, les ouragans, les tremblements de terre, etc. et installez l'unité à l'endroit spécifié.
  - Toute mauvaise installation peut provoquer la chute de l'appareil et entraîner des blessures.
- Interdire à toute personne n'ayant pas les qualifications appropriées d'effectuer des réparations. Si l'unité PAA doit être réparée, consultez un concessionnaire, un entrepreneur ou un technicien pour obtenir les certifications requises par les lois et les codes.
  - Si l'unité PAA est mal réparée, une fuite d'eau, un choc électrique ou un incendie pourrait en résulter.
- Installez l'unité PAA conformément à ce manuel d'instruction.
  - Si l'unité est mal installée, cela pourrait entraîner une fuite d'eau, un choc électrique ou un incendie.
- Assurez-vous que le panneau de couvercle de l'unité extérieure est installé correctement. Veuillez consulter le manuel de l'appareil extérieur pour une installation adéquate.
  - Si le panneau du couvercle du terminal n'est pas installé correctement, de la poussière ou de l'eau pourrait pénétrer dans l'unité extérieure, ce qui pourrait provoquer un incendie ou une décharge électrique pour l'utilisateur.
- Assurez-vous que les soupapes d'arrêt de l'unité extérieure sont ouvertes immédiatement après avoir raccordé l'unité PAA à l'unité extérieure.
  - L'unité PAA ou les tuyaux de frigorigène peuvent éclater en raison du réfrigérant à haute pression pendant le fonctionnement en chauffage de la chaudière.
- En raison d'une mauvaise installation de l'unité PAA (panier de vidange de ce produit) ou d'un interrupteur à flotteur non installé, l'eau condensée de l'échangeur de chaleur PAA s'écartera du chemin spécifié et pourrait provoquer une fuite d'eau sur l'échangeur de chaleur de la chaudière à gaz. Cela peut causer des fuites de gaz, d'huile et d'eau de la chaudière en raison de la corrosion au fil du temps. De plus, cela peut entraîner un empoisonnement, un incendie, une explosion, des fuites d'eau, des dommages corporels et des dommages matériels.
- Lorsque l'unité PAA (ce produit) est maintenue par le plafond dans un garage ou une zone occupée, le produit peut tomber en raison d'une résistance insuffisante de la suspension ou du support, ou d'une détérioration au fil du temps, causant des dommages corporels et des dommages matériels. Dans certains cas, cela peut entraîner la mort.



## AVERTISSEMENT

### Risques électriques

- Lorsque vous dimensionnez le fil et effectuez les connexions électriques pendant l'installation, veuillez suivre les codes et normes locaux.
  - Des connexions et une fixation inadéquates peuvent générer de la chaleur et provoquer un incendie.
- Faire effectuer tous les travaux électriques par un électricien dûment qualifié dans l'État où les travaux électriques sont effectués, conformément au « Code national de l'électricité » et aux codes locaux de l'électricité, au « Règlement sur les fils intérieurs » et aux instructions fournies dans ce manuel d'installation, et toujours utiliser un circuit dédié.
  - Si la capacité de la source d'alimentation est inadéquate ou si les travaux électriques sont mal exécutés, un choc électrique ou un incendie pourrait en résulter.
- Éloignez les pièces électriques de l'eau.
  - Cela peut entraîner une décharge électrique, un incendie ou de la fumée.
- Ne reconstruisez pas et ne modifiez pas les paramètres des dispositifs de protection.
  - Si le commutateur de pression, le commutateur thermique, le commutateur à flotteur ou d'autres dispositifs de protection sont court-circuités et utilisés en force, ou si des pièces autres que celles spécifiées par Mitsubishi Electric sont utilisées, un incendie ou une explosion peut en résulter.
- Si le cordon d'alimentation est endommagé, il doit être remplacé par le personnel d'entretien du fabricant ou une personne autorisée.
- Assurez-vous de mettre l'appareil extérieur à la terre, conformément au code local. Ne connectez pas le câble de mise à la terre à tout tuyau de gaz, tuyau d'eau, parafoudre ou câble de mise à la terre de téléphone.
  - Une mise à la terre incomplète peut entraîner un risque de choc électrique.



## AVERTISSEMENT

### Risques de fuite de réfrigérant

- Si le gaz réfrigérant fuit pendant l'installation, ventilez la pièce et n'utilisez pas la chaudière avant qu'un technicien juge que la chaudière peut être utilisée en toute sécurité.
  - En contact avec une flamme, le frigorigène libère des gaz toxiques. Si des odeurs sont détectées, contactez un concessionnaire, un entrepreneur ou un technicien pour connaître les mesures appropriées pour éviter de dépasser la limite de sécurité.
- Après avoir terminé les travaux d'installation, assurez-vous que le gaz réfrigérant ne fuit pas.
  - Si le gaz frigorigène fuit et est exposé à un ventilateur de chauffage, un poêle, un four ou une autre source de chaleur, il peut générer des gaz nocifs.
- N'utilisez pas de réfrigérant autre que R410A.
  - Cela pourrait faire éclater l'appareil ou les tuyaux ou provoquer une explosion pendant l'utilisation, la réparation ou l'élimination de l'unité.
  - Cela pourrait également constituer une violation des lois applicables.
  - Le fabricant, Mitsubishi Electric Corporation, ses sociétés affiliées et ses fournisseurs, ne peuvent être tenus responsables des défaillances ou des accidents résultant du mauvais type de réfrigérant utilisé.
- Lorsque la vanne d'arrêt de l'unité extérieure est laissée fermée après l'installation/l'entretien ou lorsque la vanne d'arrêt de l'unité extérieure est fermée en raison de l'arrêt de fonctionnement, le volume du réfrigérant liquide dans la tuyauterie de frigorigène s'étend en raison de l'opération de chauffage dans la chaudière à gaz, provoquant la rupture de la bobine ou de la tuyauterie d'extension locale de frigorigène.



## AVERTISSEMENT

### Risques de fuite de carburant

- Le carburant et le gaz de combustion peuvent s'écouler dans la pièce si le conduit d'échappement fuit, s'il y a un écart en raison d'une fixation insuffisante de la pièce de raccordement ou si l'entretien régulier est négligé. Par conséquent, des dangers mortels comme un empoisonnement et une explosion peuvent survenir, il est donc recommandé d'effectuer un entretien régulier pour vérifier les éléments suivants:
  - Conduits fissurés
  - Conduits obstrués
  - Capacité d'échappement insuffisante ou arrêt anormal du ventilateur d'échappement de la chaudière à gaz
  - Fuite de gaz due à une défaillance de l'échangeur de chaleur de la chaudière à gaz (y compris la corrosion due à un mauvais environnement d'installation)
  - Combustion incomplète en raison d'une défaillance de l'équipement de la chaudière à gaz (défaut/dysfonctionnement pièces \*)
    - \* Les pièces font référence à la tuyauterie, aux vannes, au câblage électrique, aux pièces électriques/électroniques, aux capteurs, aux disjoncteurs, etc.
  - Court-circuit ou défaut à la terre dû à l'allumage, au suivi ou à l'isolation insuffisante des pièces de la chaudière à gaz
  - Dommages au câblage interne et externe de la chaudière à gaz
  - Détérioration de la résistance à la chaleur, de la résistance, de la résistance à la corrosion, de l'isolation, etc. des composants périphériques de la chaudière
  - Défaillance du circuit de protection de la chaudière à gaz
  - Composants électriques pour les interférences électromagnétiques dues à une utilisation normale au fil du temps, à une défaillance des pièces et/ou à l'installation d'appareils électriques à proximité
  - Confirmation inadéquate des produits rappelés de l'année de conception/fabrication de la chaudière à gaz
  - Maintenir un état d'installation anormal en négligeant une erreur d'installation de chaudière à gaz ou une étiquette rouge
- Si notre équipement n'est pas installé, utilisé ou entretenu comme décrit dans le manuel d'installation/d'utilisation de l'unité PAA, les problèmes suivants peuvent survenir. Dans ce cas, arrêtez immédiatement l'opération en coupant l'alimentation, etc., et demandez une inspection au concessionnaire ou à l'entrepreneur. Sinon, les fuites de gaz peuvent causer un empoisonnement, un incendie, des explosions, des fuites d'eau, etc., qui peuvent causer des blessures graves et des dommages matériels.
  - Si l'installation ou l'environnement de fonctionnement est hors de la plage de garantie, la boîte de commande peut mal fonctionner et les fonctions de protection de la chaudière à gaz peuvent également tomber en panne et se désactiver. L'effet de la chaleur excessive générée par la chaudière à gaz peut causer des fissures dans la section de la bobine, entraînant des fuites de réfrigérant et d'huile. De plus, l'empoisonnement, l'incendie et les explosions peuvent en résulter, ce qui peut causer des dommages corporels et des dommages matériels.



## AVERTISSEMENT

### Directives de sécurité

- Suivez tous les codes de sécurité spécifiés dans la région où l'installation doit avoir lieu. Porter un équipement de protection approprié, comme des lunettes de sécurité, des vêtements de protection et des gants, pendant les travaux d'installation comme le remplissage de réfrigérant, l'utilisation de clé dynamométrique et le transport. Utilisez un chiffon de trempage et ayez un extincteur à portée de main pendant les opérations de brasage.
  - Le non-respect des exigences de sécurité peut entraîner des blessures, la mort ou des dommages sur le bâtiment.
- Ne touchez pas les ailettes de l'échangeur de chaleur.
  - Une mauvaise manipulation peut entraîner des blessures.
- Ne remplacez jamais des pièces ou des composants par des pièces ou composants d'autres fabricants lors de la réparation ou du remplacement de composants de l'unité PAA. N'installez ou n'utilisez jamais l'APA si des pièces ou des composants sont endommagés.



## AVERTISSEMENT

### Directives d'installation

- Lisez attentivement ce manuel et suivez tous les avertissements et toutes les mises en garde fournis avec cet appareil.  
Consultez votre code du bâtiment local et la plus récente norme NFPA 70 du National Electrical Code (NEC). Au Canada, assurez-vous de consulter la plus récente norme CSA C22.1. Suivez également tous les codes spécifiés par votre région.  
Nous recommandons d'installer un capteur de CO et un système de ventilation.
  - Le non-respect des exigences de sécurité peut entraîner des blessures, la mort ou des dommages sur le bâtiment.
- Lors du déplacement et de la réinstallation de l'unité PAA, consultez le concessionnaire, l'entrepreneur ou le technicien avec les certifications requises par les lois et les codes.
  - Si le climatiseur est mal installé, cela pourrait entraîner une fuite d'eau, un choc électrique ou un incendie.
- Demandez à un concessionnaire, un entrepreneur ou un technicien ayant des certifications conformément aux lois et aux codes, d'installer les accessoires.
  - Une mauvaise installation par l'utilisateur peut entraîner une fuite d'eau, une décharge électrique ou un incendie.
- Portez attention à l'emplacement d'installation de l'unité. Le frigorigène est plus lourd que l'air et les endroits comme les sous-sols ou les vides sanitaires où le frigorigène peut s'accumuler et devenir dangereux.
  - Une ventilation inadéquate peut entraîner un empoisonnement.
- L'appareil n'est pas destiné à être utilisé par des personnes ayant des capacités physiques, sensorielles ou mentales réduites, ou un manque d'expérience et de connaissances (y compris les enfants), à moins qu'elles n'aient été informées de la façon d'utiliser l'appareil, par une personne responsable de leur sécurité.
- **N'ajoutez pas de lampes UV dans l'armoire de l'unité PAA ou dans les conduits attachés.**
  - **Les lampes UV peuvent causer une dégradation du plastique et des pièces d'isolation. Une fuite d'eau, une décharge électrique ou un incendie peut en résulter.**
- Si la chaudière à gaz n'est pas certifiée conforme aux normes de sécurité (ANSI Z21.47/CSA2. 3) par un organisme de certification tiers reconnu à l'échelle nationale (AGA, UL, CSA, ETL/Intertek, etc.), ou si la chaudière à gaz n'est pas conforme aux normes et directives de l'ACCA (Air Conditioning Contractors Association) (Code), NFPA54 (Code national du gaz combustible), NFPA70 (NÉC.: Code national de l'électricité) et si l'équipement n'est pas correctement installé, utilisé et entretenu conformément au code du bâtiment pour chaque district (état, comté, ville, etc.), les dangers suivants peuvent se produire même si notre équipement est correctement conçu, installé, et exploité.
  - Si un capteur de fuite n'est pas installé dans la pièce, il y a un risque de symptômes d'empoisonnement et de mort si une fuite de gaz toxique n'est pas détectée.
  - Le carburant gazeux a une odeur, mais si vous ne la remarquez pas, il existe un risque qu'il cause des symptômes d'empoisonnement ou un accident, comme un incendie ou une explosion.
  - Si la sécurité de la chaudière à gaz, de la tuyauterie d'alimentation en gaz et du conduit d'évacuation s'aggrave en raison d'une ventilation inappropriée du système [la ventilation doit être conforme à la loi, à la norme ou aux lignes directrices (code)], ou en raison d'une détérioration du vieillissement ou de l'influence de l'environnement



d'utilisation, il existe un risque d'empoisonnement du gaz de combustion ou d'allumage du gaz combustible et causant un incendie ou une explosion.



## ATTENTION

### Risques liés à l'installation de l'unité PAA

- Lors de l'installation et du déplacement de l'unité PAA, ne le chargez pas avec un réfrigérant différent du réfrigérant spécifié sur l'unité.
  - Si un autre frigorigène ou de l'air est mélangé au frigorigène d'origine, le cycle de réfrigération pourrait ne pas bien fonctionner, et l'appareil pourrait être endommagé. Utiliser uniquement le frigorigène recommandé spécifié dans le manuel de l'unité extérieure (ODU) pour le fonctionnement du système (SEULEMENT R410A).
- L'unité PAA est conçue pour une installation à l'intérieur seulement.
- L'unité PAA doit être installée en aval (air de décharge) du côté de la chaudière.
- Ne modifiez pas l'armoire et ne la braquez pas à l'intérieur de l'armoire. Humidifiez tous les joints brasés avec de l'eau ou un chiffon humide pour éviter la surchauffe après le brasage.
  - Cela peut affecter le rendement de l'unité PAA.
- N'utilisez pas d'additif de détection des fuites.
  - Les pièces de l'unité extérieure et de l'unité PAA peuvent être endommagées par le mélange réfrigérant/additif.

### Risques de fuite de réfrigérant

- L'installateur (technicien) doit s'assurer qu'il n'y a pas de fuite de réfrigérant conformément aux réglementations et normes locales.
  - Les fuites de réfrigérant affecteront le rendement de la thermopompe.

### Directives d'installation

- Pour les raccordements de tuyauterie de l'unité PAA, utilisez un raccord évasé, car l'équipement a été conçu pour cela. Mitsubishi Electric US, Inc. n'est pas responsable de la mauvaise connexion de brasage effectuée par l'installateur.
  - Les mauvaises connexions de brasage peuvent endommager l'unité PAA.

## 5.2. Dispositifs qui utilisent du frigorigène R410A



### ATTENTION

#### Directives d'installation

- N'utilisez pas la tuyauterie de frigorigène existante.
  - L'ancien frigorigène et l'ancienne d'huile frigorigène dans la tuyauterie existante peuvent contenir une grande quantité de contaminants qui peut entraîner la détérioration de l'huile frigorigène de la nouvelle unité.
- Utilisez des tuyaux de frigorigène en cuivre désoxydé de phosphore C12200 (Cu-DHP) comme spécifié dans la norme ASTM B280 pour le tube de cuivre sans soudure pour le service sur le terrain de climatisation et de réfrigération. Assurez-vous que les surfaces internes et externes des tuyaux sont propres et non contaminées par des sulfures dangereux, des oxydes, de la poussière ou de la saleté, des éclats de métal, des huiles, de l'humidité ou tout autre contaminant.
  - Les contaminants à l'intérieur de la tuyauterie de réfrigérant peuvent entraîner la détérioration de l'huile résiduelle du réfrigérant.
- Entreposez à l'intérieur les tuyaux à utiliser dans le cadre de l'installation et gardez les deux extrémités des tuyaux scellées jusqu'au dernier moment avant le brasage. (Entreposez les coudes et les autres joints dans un sac de plastique.)
  - Si de la poussière, de la saleté ou de l'eau pénètre dans le cycle de réfrigérant, la détérioration de l'huile entraînera un dysfonctionnement du compresseur.
- N'utilisez pas de réfrigérant autre que R410A.
  - Si un autre réfrigérant est utilisé, les contaminants dans ce frigorigène peuvent causer la détérioration de l'huile frigorigène.
  - Puisque le R410A ne contient pas de chlore, les détecteurs de fuite de gaz pour le frigorigène conventionnel ne réagiront pas à celui-ci.
- Utilisez une pompe à vide avec un clapet antiretour.
  - L'huile de la pompe à vide peut s'écouler dans le cycle de réfrigérant et provoquer la détérioration de l'huile frigorigène.
- N'utilisez pas les outils suivants qui sont utilisés avec des réfrigérants autres que R410A:
  - Collecteur de jauge, tuyau de charge, détecteur de fuite de gaz, clapet antiretour, base de charge de frigorigène, jauge à vide, équipement de récupération de réfrigérant.
- N'utilisez pas de bouteille de charge.
  - Cela peut entraîner la détérioration du frigorigène.
- Toujours charger le frigorigène dans un état liquide.
  - Charger le frigorigène à l'état gazeux modifiera la composition du frigorigène et réduira la performance.

### 5.3. Avant de commencer

L'unité PAA est compatible avec les systèmes de série P et M et est disponible dans les combinaisons de modèles suivantes.

**Tableau de compatibilité de l'unité PAA et ODU**

Série P						
ODU	IDU					Commentaire
	PAA-A18AA1 PAA-A18BA1	PAA-A24AA1 PAA-A24BA1	PAA-A30AA1 PAA-A30BA1	PAA-A36BA1 PAA-A36CA1	PAA-A42BA1 PAA-A42CA1	
PUY-A18NKA7						Aucune connexion autorisée
PUY-A24NHA7	✓	✓				
PUY-A30NHA7			✓			
PUY-A36NKA7				✓		
PUY-A42NKA7					✓	
PUZ-A18NKA7						Aucune connexion autorisée
PUZ-A24NHA7	✓	✓				
PUZ-A30NHA7			✓			
PUZ-A36NKA7				✓		
PUZ-A42NKA7					✓	
PUZ-HA24NHA1		✓				
PUZ-HA30NKA			✓			
PUZ-HA36NKA				✓		
PUZ-HA42NKA1						Aucune connexion autorisée

Série M						
ODU	IDU					Commentaire
	PAA-A18AA1 PAA-A18BA1	PAA-A24AA1 PAA-A24BA1	PAA-A30AA1 PAA-A30BA1	PAA-A36BA1 PAA-A36CA1	PAA-A42BA1 PAA-A42CA1	
MXZ-3C24NA3	✓					
MXZ-3C30NA3	✓	✓				
MXZ-4C36NA3	✓	✓				
MXZ-5C42NA3	✓	✓				
MXZ-SM36NAM	✓	✓	✓	✓		
MXZ-SM48NAM	✓	✓	✓	✓		
MXZ-SM60NAM	✓	✓	✓	✓		
MXZ-3C24NAHZ3	✓					
MXZ-3C30NAHZ3	✓	✓				
MXZ-MM36NAMHZ	✓	✓	✓	✓		
MXZ-SM42NAMHZ	✓	✓	✓	✓		
MXZ-SM48NAMHZ	✓	✓	✓	✓		

**Raccord série PAA****Longueur maximale des tuyaux**

Le nombre de tuyaux total maximum avec le raccord PAA dépend du nombre d'unités intérieures PAA raccordées. Veuillez vous reporter au tableau ci-dessous pour connaître la longueur de tuyaux totale maximale appropriée pour laquelle le système peut être conçu.

**Longueur minimale des tuyaux**

Pour les systèmes de boîte de dérivation où PAA est la/les seule(s) unité(s) raccordée(s), la longueur minimale pour chaque unité PAA à partir de l'unité extérieure doit être 33 pi.

Modèle	Total connecté à l'intérieur Capacité (kBtu/h)	Nombre d'unités PAA raccordées			
		Aucune unité PAA raccordée	1	2	3 ou plus
MXZ-SM36/48NAM MXZ-SM36/42/48NAMHZ	<27	492 pi (150 m)	492 pi (150 m)	<b>Impossible de connecter deux PAA ou plus pour moins de 27 kBtu/h</b>	
	28-54	492 pi (150 m)	341 pi (104 m)	276 pi (84 m)	276 pi (84 m)
	>55	492 pi (150 m)	308 pi (94 m)	243 pi (74 m)	243 pi (74 m)
MXZ-SM60NAM	<27	492 pi (150 m)	492 pi (150 m)	<b>Impossible de connecter deux PAA ou plus pour moins de 27 kBtu/h</b>	
	28-54	492 pi (150 m)	408 pi (124 m)	361 pi (110 m)	337 pi (103 m)
	>55	492 pi (150 m)	384 pi (117 m)	337 pi (103 m)	314 pi (96 m)

Le tableau ci-dessus concerne la Série M. Pour la série P, suivez les directives du manuel d'installation de l'unité extérieure de la série P.

**NOTE**

Pour des longueurs de tuyauterie étendue, veuillez consulter Diamond System Builder (DSB).

Tableau de restriction de débit d'air de l'

		IDU				
		PAA-A18AA1 PAA-A18BA1	PAA-A24AA1 PAA-A24BA1	PAA-A30AA1 PAA-A30BA1	PAA-A36BA1 PAA-A36CA1	PAA-A42BA1 PAA-A42CA1
Débit d'air						
Maximum	CMM	23.0	23.5	29.0	34.0	47.0
	CFM	812	830	1024	1201	1660
Minimum	CMM	12.0	15.6	19.8	22.7	26.5
	CFM	424	551	700	800	936

**NOTE**

La restriction de débit d'air ci-dessus est limitée au fonctionnement de la pompe à chaleur seulement.

**AVERTISSEMENT**

- Assurez-vous que la chaudière à gaz est conforme aux normes ANSI-Z21.47/CSA2.3 par un laboratoire tiers NRTL, tel que AGA, CSA, UL ou ETL/Intertek. Le système de climatisation/pompe à chaleur Mitsubishi Electric doit être connecté uniquement à une chaudière à gaz certifiée ANSI-Z21.47/CSA2.3.
  - Une mauvaise connexion peut entraîner un gaz toxique, un incendie, une explosion, une décharge électrique ou une fuite d'eau.
- N'installez pas l'unité PAA sur des fours de type HUILE ou TAMBOUR.
  - Le non-respect de cet avertissement peut entraîner des blessures corporelles ou la mort.
- N'installez PAS l'unité PAA sur des chaudières ou des applications où la température de l'air d'alimentation pourrait dépasser 200° F.
  - Le non-respect de cet avertissement peut entraîner des blessures corporelles ou la mort.
- L'unité PAA ne doit être installée que sur une chaudière dont la capacité de sortie ne dépasse pas 300 % de la capacité de refroidissement nominale de l'unité PAA.
  - Le non-respect de cet avertissement peut entraîner des blessures corporelles ou la mort.

**IMPORTANT**

Le ventilateur de la chaudière doit être configuré de manière à ce que le débit d'air soit supérieur ou égal à 350 pi<sup>3</sup>/min par tonne et inférieur ou égal à 400 pi<sup>3</sup>/min par tonne de capacité de refroidissement nominale de l'unité PAA.

Dans l'orientation à flux descendant, le ventilateur de la chaudière doit être configuré pour maintenir une vitesse frontale de débit d'air inférieure à 350 pi<sup>3</sup>/min afin d'éviter que l'eau ne jaillisse.

**ATTENTION**

- N'utilisez pas le PAA dans des environnements spéciaux.
  - L'huile, la vapeur, la fumée sulfurique, etc. peuvent réduire considérablement le rendement de l'unité PAA ou endommager ses pièces.
- Verrouillez toujours le sectionneur de la chaudière, le cas échéant, en position ouverte avant d'effectuer l'entretien du PAA.
- Lors de l'installation de l'appareil dans un hôpital, une station de communication ou un endroit similaire, fournir une protection suffisante contre le bruit électromagnétique.
  - Les onduleurs, les groupes électrogènes privés, les équipements médicaux à haute fréquence ou l'équipement de communication radio pourraient faire en sorte que l'unité PAA tombe en panne ou ne fonctionne pas correctement. D'un autre côté, l'unité PAA pourrait nuire au fonctionnement d'un tel équipement en créant un bruit électromagnétique qui nuit aux traitements médicaux ou à la diffusion d'images.
- Assurez-vous qu'un bac de récupération auxiliaire est installé pour éviter que la condensation occasionnelle n'endommage le bâtiment.
- Lorsque l'humidité de la pièce excède 80 % ou lorsque le tuyau de vidange est bouché, de la condensation pourrait dégoutter de l'appareil intérieur. Effectuez les travaux de vidange collective en même temps que pour l'appareil extérieur, comme requis.
- Lorsque la température du point de rosée ambiant dépasse 23° C (73° F), de la rosée peut se former sur la surface de l'appareil. Mettre en œuvre un traitement approprié, par exemple, isolation de l'enveloppe de conduit pour éviter la formation de condensation.

**NOTE**

Conservez ce manuel d'installation avec l'appareil. Lisez attentivement toutes les instructions d'installation avant d'installer le produit. Assurez-vous que chaque étape ou procédure est comprise et que toute considération particulière est prise en compte avant de commencer l'installation.

Rassemblez tous les outils, le matériel et les fournitures nécessaires pour terminer l'installation. Reportez-vous aux sections « Présentation du système » et « Accessoires de l'unité intérieure » pour les articles qui ne sont pas inclus avec l'unité PAA. Assurez-vous que tout ce dont vous avez besoin pour installer le produit est à portée de main avant de commencer. Si la capacité de la source d'alimentation est inappropriée ou si les travaux électriques sont mal effectués, un choc électrique et un incendie peuvent en résulter.

**AVERTISSEMENT**

- Le non-respect de cet avertissement peut entraîner des dommages matériels, des blessures graves ou la mort: vérifiez que la chaudière est correctement installée conformément au manuel d'installation de la chaudière à gaz et aux codes du bâtiment locaux.

## 5.4. Avant l'installation de l'unité PAA (déplacement) - travaux électriques

**NOTE**

S'assurer que le câblage n'est pas pincé ou endommagé lors du montage du couvercle de la boîte de commande.

**ATTENTION**

- Installez le tuyau de vidange conformément à ce manuel d'installation afin d'assurer une vidange adéquate. Enveloppez les tuyaux d'isolation thermique afin d'éviter la condensation.
  - Une tuyauterie de drainage incorrecte peut causer des fuites d'eau et endommager les meubles et autres biens.





## AVERTISSEMENT

- Assurez-vous de mettre à la terre l'unité PAA et l'appareil extérieur.
  - Ne connectez pas le câble de mise à la terre à tout tuyau de gaz, tuyau d'eau, parafoudre ou câble de mise à la terre de téléphone. Une mise à la terre incomplète peut entraîner un risque de choc électrique. Si le cordon d'alimentation est endommagé, il doit être remplacé par un concessionnaire, un entrepreneur ou un technicien ayant les certifications requises par les lois et les codes, afin d'éviter un danger.
- Installez le câble d'alimentation de manière à ce qu'il n'y ait pas de tension sur le câble.
  - La tension peut provoquer la rupture du câble et générer de la chaleur et provoquer un incendie.
- Installez un disjoncteur de fuite au besoin.
  - Si un disjoncteur de fuite de terre n'est pas installé, une électrocution pourrait s'ensuivre. Utilisez des câbles de ligne électrique d'une capacité de transport de courant suffisante. Des câbles trop petits peuvent présenter des fuites, générer de la chaleur et provoquer un incendie.
- Utilisez des câbles de ligne électrique d'une capacité de transport de courant suffisante.
  - Des câbles trop petits peuvent présenter des fuites, générer de la chaleur et provoquer un incendie.
- Lorsque vous dimensionnez le fil et effectuez les connexions électriques pendant l'installation, veuillez suivre les codes et normes locaux.
  - Un fusible ou un disjoncteur de plus grande capacité ou un fil d'acier ou de cuivre peut entraîner une défaillance générale de l'unité ou un incendie.
- Ne lavez pas l'unité PAA.
  - Le lavage de l'unité PAA peut provoquer une décharge électrique.
- Assurez-vous que la base d'installation n'est pas endommagée.
  - Si elle est endommagée, l'unité pourrait tomber et causer des blessures ou des dommages matériels.
- Installez le tuyau de vidange conformément à ce manuel d'installation afin d'assurer une vidange adéquate. Enveloppez les tuyaux d'isolation thermique afin d'éviter la condensation.
  - Une tuyauterie de drainage incorrecte peut causer des fuites d'eau et endommager les meubles et autres biens.
- Soyez très prudent quant au transport des produits.
  - Si le produit pèse plus de 20 kg [44 lb], le produit doit être transporté par plusieurs personnes.
  - Certains produits utilisent des bandes de polypropylène pour l'emballage. N'utilisez pas les bandes de PP comme poignées de transport.
  - Ne touchez pas les ailettes de l'échangeur de chaleur. Vous pourriez vous couper les doigts.
- Éliminez en toute sécurité les matériaux d'emballage.
  - Les matériaux d'emballage, comme les clous et autres pièces en métal ou en bois, peuvent causer des coupures ou d'autres blessures.
  - Déchirez et jetez les sacs d'emballage en plastique afin que les enfants ne puissent pas jouer avec eux. Si des enfants jouent avec un sac en plastique qui n'a pas été déchiré, ils sont exposés à un risque d'asphyxie.

- Avant d'installer ou d'entretenir le système, coupez toujours l'alimentation principale du système. Il peut y avoir plus d'un sectionneur. Étiqueter le sectionneur avec une étiquette d'avertissement.
  - Le non-respect de cet avertissement peut entraîner des blessures corporelles ou la mort.
- Débranchez toujours l'alimentation de la chaudière avant de retirer la porte du ventilateur.
  - Si l'alimentation n'est pas coupée, cela peut entraîner une décharge électrique ou des blessures.
- Étiquetez tous les fils avant la déconnexion lors de l'entretien des commandes. Vérifiez le bon fonctionnement après l'entretien.
  - Les erreurs de câblage peuvent causer un fonctionnement inapproprié et dangereux.

## 5.5. Avant de commencer le test



### ATTENTION

- Ouvrez les soupapes d'arrêt en isolant l'unité PAA de l'appareil extérieur avant de commencer l'utilisation pour éviter que le tuyau de frigorigène n'éclate pendant que la chaudière fonctionne.
- Mettez l'appareil sous tension au moins 12 heures avant de commencer à l'utiliser.
  - La mise en marche immédiatement après la mise en circuit de l'interrupteur principal peut mener à de graves dommages aux composantes internes. Gardez l'interrupteur d'alimentation allumé pendant la saison de fonctionnement.
- Ne coupez pas l'alimentation immédiatement après l'arrêt du fonctionnement. Attendez au moins cinq minutes avant de couper l'alimentation.
  - Si l'alimentation est immédiatement coupée, cela peut provoquer une fuite d'eau.



## AVERTISSEMENT

- Ne touchez pas les interrupteurs avec les doigts mouillés.
  - Toucher un interrupteur avec les doigts mouillés peut provoquer un choc électrique.
- Ne touchez pas les tuyaux de réfrigérant pendant et immédiatement après l'utilisation.
  - Pendant le fonctionnement et immédiatement après, les tuyaux de frigorigène pourraient être extrêmement chauds ou froids, selon l'état du frigorigène s'écoulant dans les tuyaux de frigorigène, du compresseur et des autres composantes du cycle de frigorigène. Si vous touchez les tuyaux de frigorigène, vos mains pourraient subir des brûlures ou des engelures.
- Lisez attentivement les chapitres du chapitre « Sélection d'un site d'installation » au chapitre « Câblage électrique » avant d'utiliser l'équipement. Ne pas faire fonctionner la chaudière, l'unité PAA ou l'appareil extérieur lorsque le panneau ou le protecteur est retiré.
  - Des blessures peuvent se produire si vous touchez le ventilateur rotatif de la chaudière ou de l'unité extérieure, des pièces à haute température comme des compresseurs et des tuyaux ou des pièces à haute tension comme des borniers.
- Ne pas entreposer ni utiliser d'essence ou d'autres vapeurs et liquides inflammables à proximité de cet appareil ou de tout autre appareil.
- Que faire si vous sentez une odeur de gaz?
  - Ne touchez aucun interrupteur électrique.
  - N'utilisez aucun téléphone dans votre immeuble.
  - Appelez immédiatement votre fournisseur de gaz à partir d'un site voisin.
  - Suivez les instructions du fournisseur de gaz.
  - Si vous ne pouvez pas joindre votre fournisseur de gaz, appelez le service d'incendie.
  - N'essayez pas d'allumer un appareil.
- N'utilisez jamais une flamme nue pour détecter les fuites de réfrigérant. Des conditions explosives peuvent se produire. Utilisez un capteur de test d'étanchéité ou d'autres méthodes approuvées pour le test d'étanchéité. Si une surchauffe de l'alimentation en air de la chaudière se produit et si l'alimentation en gaz ne s'arrête pas, suivez le manuel d'installation de la chaudière pour désactiver l'alimentation en gaz et électrique de la chaudière.

## 5.6. Après l'installation et l'essai



### ATTENTION

- Lors du nettoyage de l'échangeur de chaleur et du bac de vidange, vérifiez que l'eau ne s'écoule pas sur les pièces de la chaudière, l'isolation de l'unité PAA ou l'isolation du conduit d'air.
  - L'eau peut causer la corrosion de l'échangeur de chaleur et contribuer au vieillissement de l'isolation.
- Surveillez la température du bâtiment par temps froid. Si, pour une raison quelconque, votre système CVC ne fonctionne pas, des dommages tels que des tuyaux d'eau éclatés pourraient résulter d'un manque de chauffage approprié dans l'espace.

## 5.7. Pour éliminer l'unité PAA



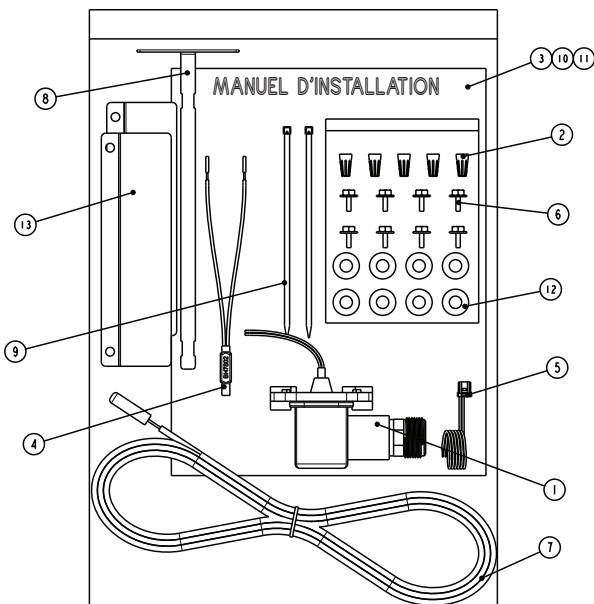
### ATTENTION

Pour éliminer l'unité PAA, consultez un concessionnaire, un entrepreneur ou un technicien ayant les certifications requises par les lois et les codes.

## 6. Accessoires pour l'unité intérieure

Le sac d'accessoires contient les articles suivants :

Numéro de pièce	Description	Qté
1	Interrupteur à flotteur SS2	1
2	Écrous de connexion	5
3	Manuel d'installation	1
4	Thermostat ACH065 (NAT)	1
5	Ensemble de fils CN4F	1
6	Vis (M5)	8
7	Thermistance TH1	1
8	Support	1
9	Liens à glissière	2
10	Manuel d'utilisation	1
11	Guide de dépannage	1
12	Rondelles	8
13	Couvercles pliés en U	2



Support L (ne figure pas dans le sac d'accessoires), qté = 1

## 7. Sélection d'un site d'installation

- Évitez d'installer l'APA dans des endroits exposés à l'air extérieur.
- Sélectionnez un emplacement qui n'obstrue pas le débit d'air à l'intérieur et à l'extérieur de l'unité.
- Évitez d'installer l'unité PAA et la boîte de commande dans des endroits qui l'exposeront à la vapeur.
- Évitez d'installer la boîte de commande à proximité d'endroits où du gaz combustible ou de l'huile pourrait s'écouler, se déposer ou être généré.
- Évitez d'installer l'appareil à proximité de machines émettant des ondes à haute fréquence (soudeurs à haute fréquence, etc.).
- Évitez d'installer l'unité PAA dans les endroits où le débit d'air est dirigé vers un capteur d'alarme d'incendie. (L'air chaud durant le fonctionnement pourrait déclencher l'alarme.)
- Évitez d'installer l'unité PAA dans des endroits où des solutions acides sont fréquemment utilisées.
- Évitez d'installer l'unité PAA dans des endroits où des pulvérisations à base de soufre ou autres sont couramment utilisées.
- S'assurer qu'un espacement suffisant est disponible pour installer le bac de récupération auxiliaire, que l'unité PAA soit installée en position ascendante, descendante ou horizontale gauche/droite.
- S'assurer qu'un espacement suffisant est disponible pour l'isolation sur les conduits de sortie et d'entrée afin d'éviter la condensation.

### 7.1. Fonctionnement de base de l'unité PAA

Le système d'unité PAA combine une A-Coil monté sur une chaudière avec une boîte de commande PAA pour contrôler le système. Le système utilise le ventilateur de la chaudière attachée pour fonctionner en mode Refroidissement et pendant le fonctionnement de la pompe à chaleur en mode Chauffage. Si le système n'est pas en mesure de répondre à la demande de chaleur, le système passe au fonctionnement de la chaudière.

## 8. Installation

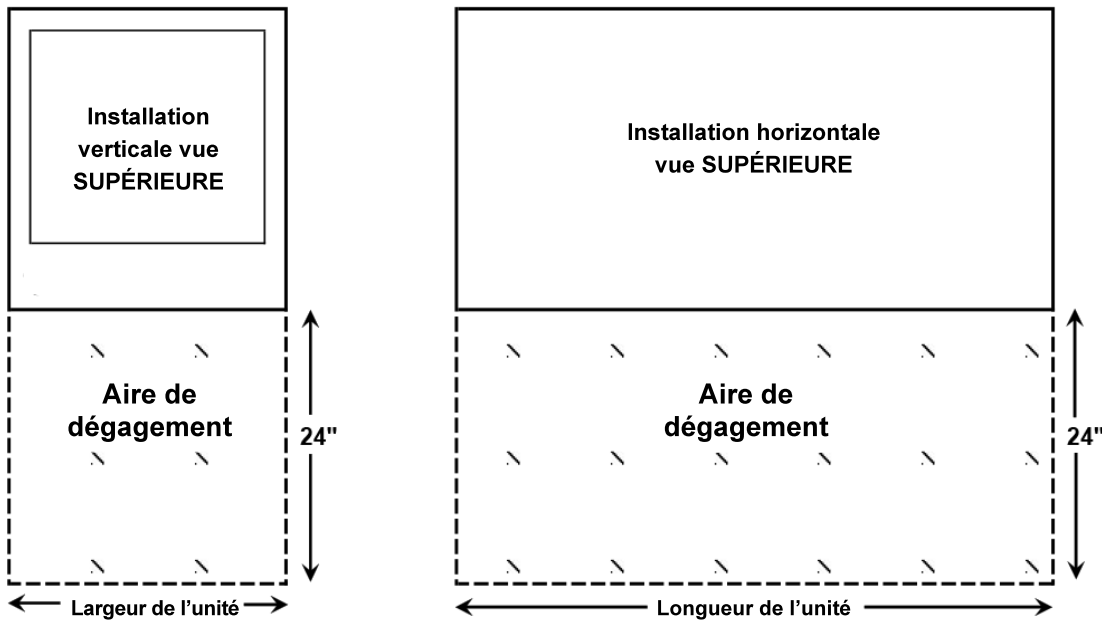
L'expédition de l'unité PAA contient les articles suivants:

1. Bobine en boîtier (comprend un ensemble de thermistance de tuyau TH2/TH5 préinstallé)
2. Boîte de commande
3. Sac d'accessoires
4. Support en L

Les unités PAA sont expédiées installées en usine avec des bacs de vidange verticaux et horizontaux internes, qui peuvent être agencés pour des configurations à flux ascendant/descendant, horizontaux à droite ou horizontaux à gauche. Le bac de récupération horizontal interne n'est pas requis pour les configurations verticales.

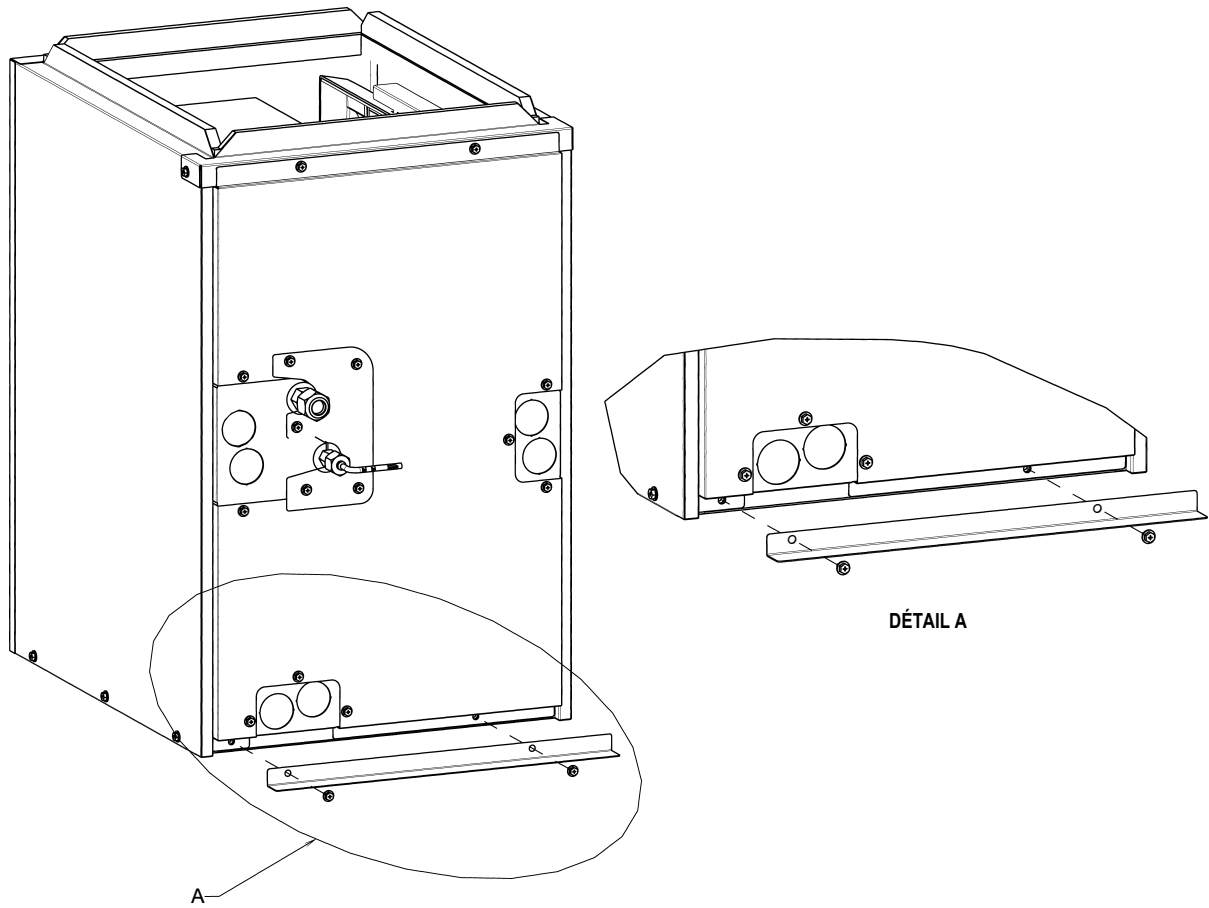
Dans les configurations à flux ascendant/descendant, du ruban d'aluminium doit être appliqué pour sceller le bord supérieur de l'isolant à l'armoire. Ce ruban empêchera la possibilité que l'isolant délamine et bloque la circulation d'air. La bobine doit être de niveau ou légèrement inclinée vers le raccord de vidange.

### 8.1. Dégagement de l'installation



En raison de différentes profondeurs d'ouverture de la chaudière, un écart peut être présent entre l'avant de la bobine et l'ouverture de la chaudière. Pour combler cet écart, installez le support en L fourni comme

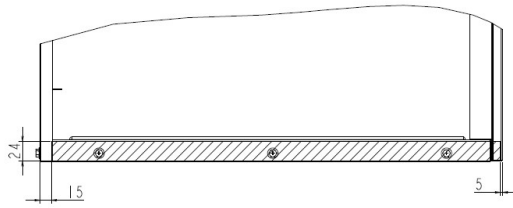
illustré ci-dessous. Ensuite, former un joint étanche à l'air avec du ruban d'aluminium, du ruban adhésif approuvé ou du mastic.



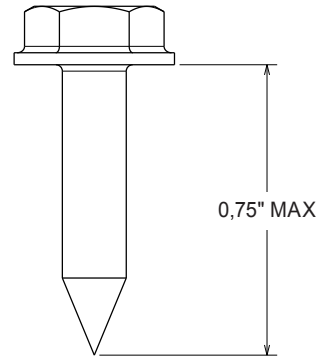
FRANÇAIS



## 9. Connexions des conduits



Vue latérale



### NOTE

- Voir le schéma dans la section « Dimensions » pour la taille du raccord de conduit.
- Utilisez des conduits à bride pour les connexions de retour.
- N'utilisez pas de vis à tôle de plus de 0,75 po pour fixer les conduits à l'armoire de l'unité PAA.



### NOTE

L'installateur peut utiliser des vis uniquement dans la zone ombrée indiquée ci-dessus, lors de la connexion à la chaudière ou au réseau de conduits de retour.



### ATTENTION

- Ajoutez une isolation externe supplémentaire pour éviter la condensation de surface.
  - Une mauvaise installation peut endommager l'appareil ou les environs en raison de la condensation.

## 10. Positions de montage

L'unité PAA peut être installée dans l'une des configurations suivantes : flux ascendant, flux descendant, orientation horizontale droite ou horizontale gauche.



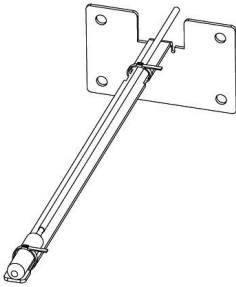
### NOTE

Toutes les images affichées dans ce chapitre sont pour la PAA-A18BA1 (17,5").

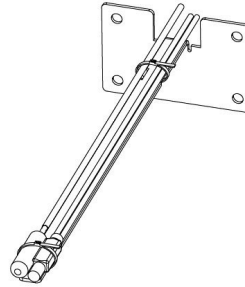
### 10.1. Installation de la thermistance TH1 et du thermostat NAT

Le cas échéant, la thermistance TH1 et le thermostat NAT doivent être installés dans le conduit de retour d'air avec le support fourni dans le sac d'accessoires. Étendez les fils NAT, au besoin, en utilisant le fil multibrins de calibre 20-18 fourni sur place et en utilisant les écrous de connexion fournis dans le sac d'accessoires.

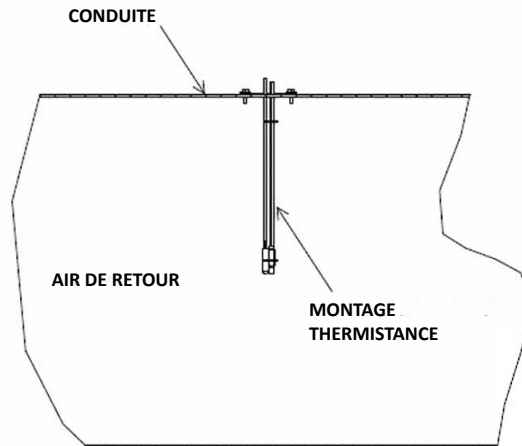
Thermistance TH1 installée



Thermistance TH1 et thermostat NAT installés



Thermistance TH1 et thermostat NAT installés dans le conduit de retour d'air affiché ci-dessous:



**ATTENTION**

N'installez pas la thermistance TH1 et le thermostat NAT sur le côté décharge de la chaudière à gaz. Cela peut causer une thermistance et/ou une défaillance du thermostat.

De plus, n'installez pas la the thermistance TH1 et la NAT à proximité d'un conduit de dérivation ou trop près de la chaudière. Cela endommagera la thermistance TH1 et la NAT de la chaleur de la chaudière.

**NOTE**

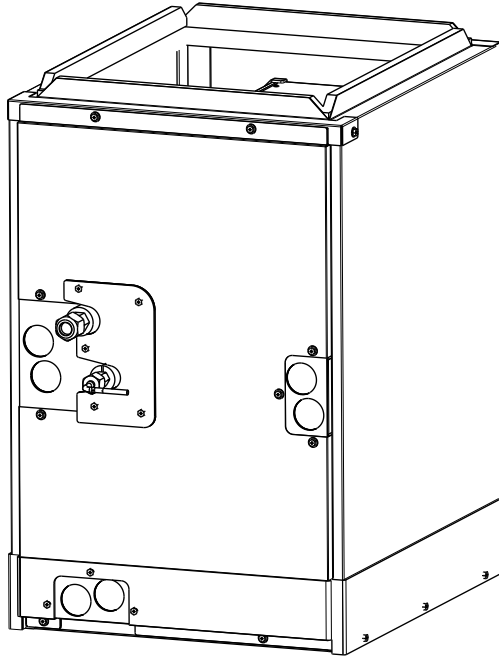
Lors de l'installation de l'unité PAA dans des espaces non climatisés, notez que les températures de l'air dans les conduits (mesurés par la thermistance de reprise) peuvent varier de la température de l'espace. Lorsque cet écart est important, il peut affecter la capacité du système à refroidir l'espace occupé jusqu'au point de consigne de refroidissement minimum ou à le chauffer jusqu'au point de consigne de chauffage maximum.

Les mesures suivantes peuvent être appliquées pour atténuer l'effet de l'écart de température :

- Isoler les conduits.
- Utiliser une option de contrôleur à distance avec capacité de détection.
- Placer la thermistance de reprise aussi loin que possible de la fournaise, en évitant les conduits de dérivation, mais en veillant à ce que toutes les branches de conduit de reprise restent en amont de la thermistance.
- S'assurer que le support de montage fourni est utilisé pour positionner la thermistance de reprise dans le flux d'air.
- Régler le ventilateur dans les réglages d'arrêt thermique pour maintenir le débit d'air à travers l'armoire.
- Installer le PAC-USSEN00(1|2)FM-1 comme capteur d'air de reprise, placé dans l'espace conditionné.
- Utiliser kumo cloud® avec le capteur de température et d'humidité sans fil PAC-USWHS003TH-1.

## 10.2. Installation à flux ascendant/descendant

L'armoire contenant l'assemblage hexagonal est expédiée dans la configuration horizontale droite. Des modifications devront être apportées pour les autres configurations souhaitées.



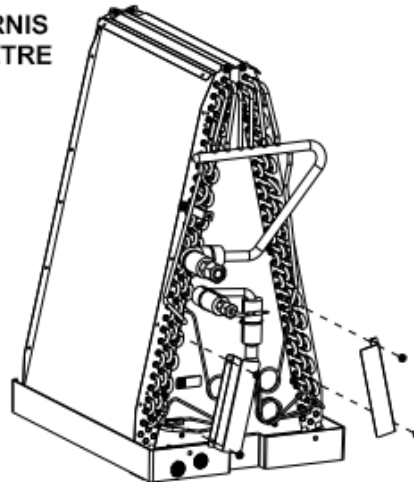
Lors du montage des quatre grands modèles d'unités PAA (PAA-A36, 42 BA1/CA1) dans la configuration en aval, les deux couvercles pliés en U fournis dans le sac d'accessoires, doivent être installés sur l'unité. (Les deux couvercles pliés en U sont indiqués comme Pièce n°13 sur la liste des éléments du sac d'accessoires à la section Accessoires pour l'unité intérieure.)

En installant des couvercles pliés en U, l'éventuelle condensation de rosée qui jaillit, est orientée dans le principal bac de vidange.

## ATTENTION!

LES DEUX COUVERCLES PLIÉS EN U FOURNIS  
DANS LE SAC D'ACCESSOIRES DOIVENT ÊTRE  
INSTALLÉS SUR LES MODÈLES SUIVANTS  
POUR LE MONTAGE EN AVAL:

- PAA-A36BA1
- PAA-A36CA1
- PAA-A42BA1
- PAA-A42CA1

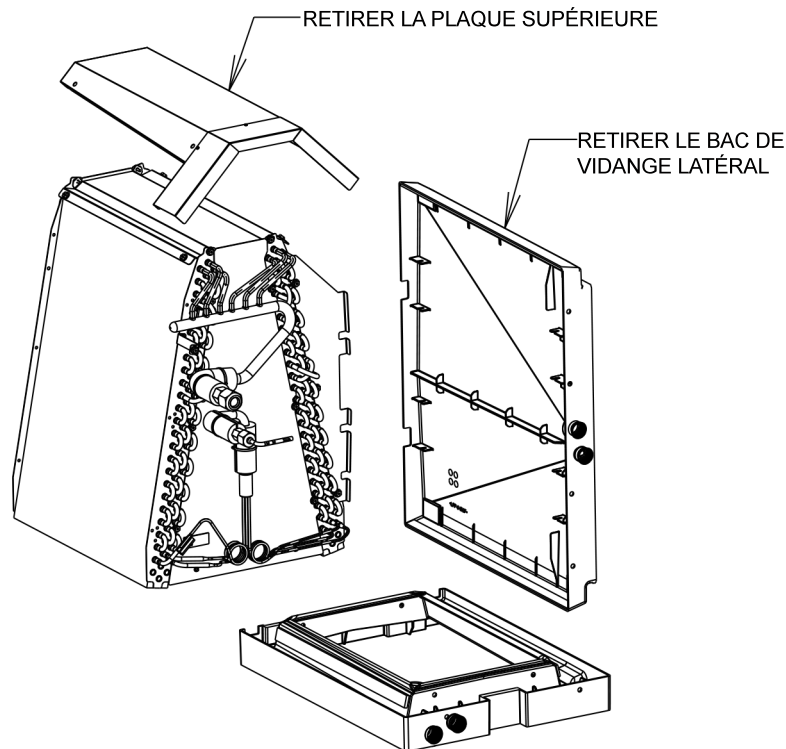


Le bac de récupération latéral et la plaque supérieure doivent être retirés de l'assemblage de la bobine pour les installations de configuration verticale. Retirez le bac de récupération latéral (ainsi que son support et 2 pièces triangulaires) et la plaque supérieure, comme indiqué dans les étapes suivantes. Le retrait du bac de vidange latéral et de la plaque supérieure augmente le débit d'air et l'efficacité.

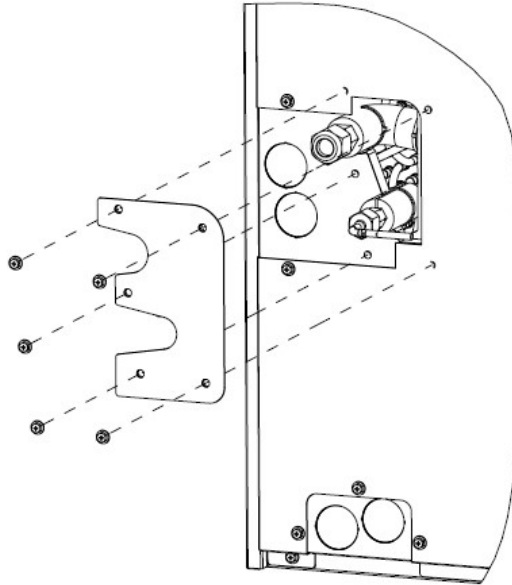
## ATTENTION!

POUR LES INSTALLATIONS À FLUX ASCENDANT ET DESCENDANT

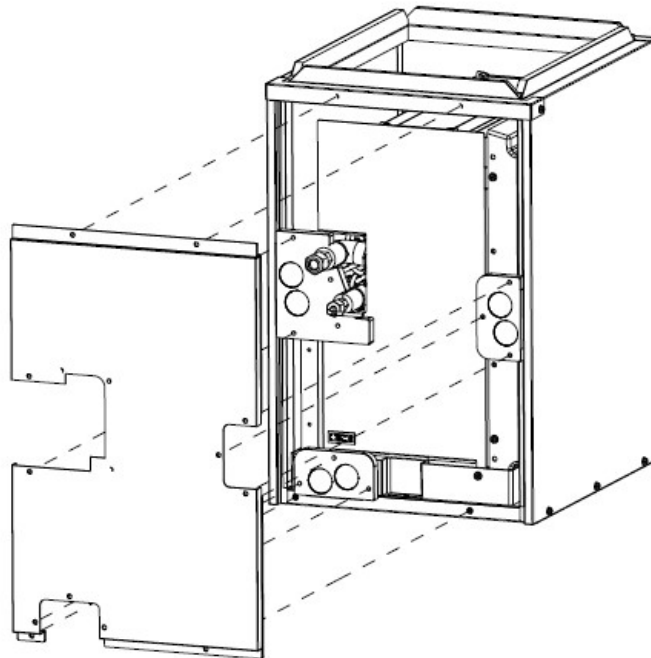
1. LA PLAQUE SUPÉRIEURE DOIT ÊTRE RETIRÉE (COMME INDIQUÉ).
2. LE BAC DE VIDANGE LATÉRAL DOIT ÊTRE RETIRÉ (COMME INDIQUÉ).



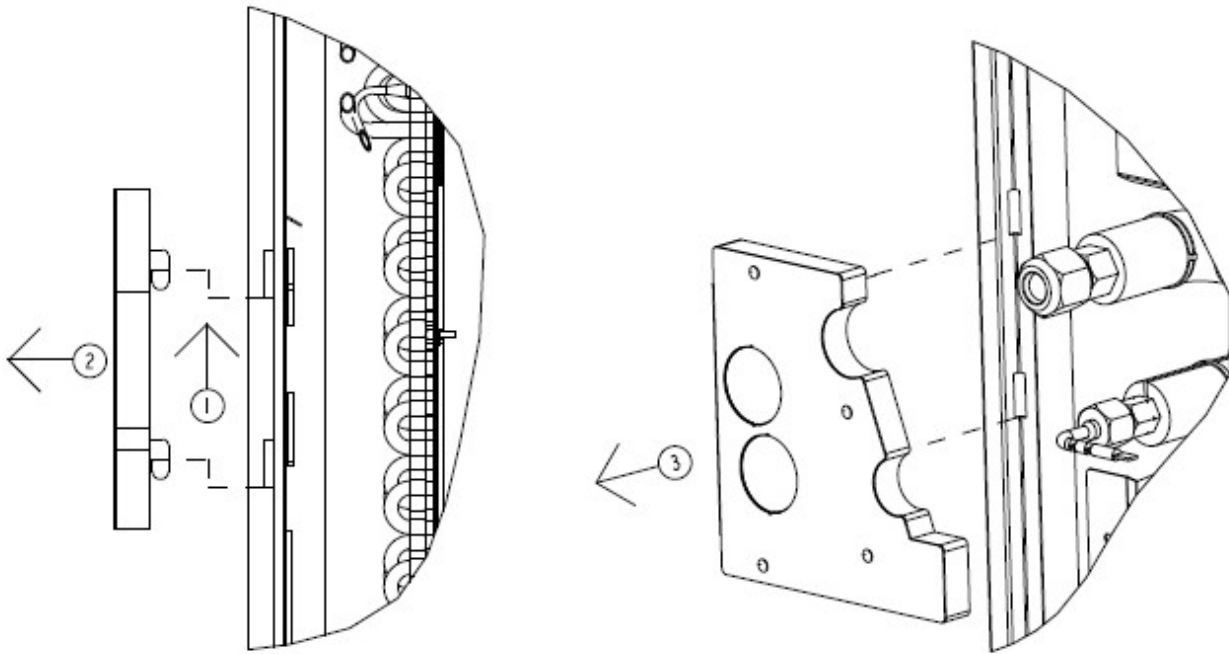
**Étape 1:** Retirez le panneau de tuyau fixé par 5 vis, comme indiqué ci-dessous:



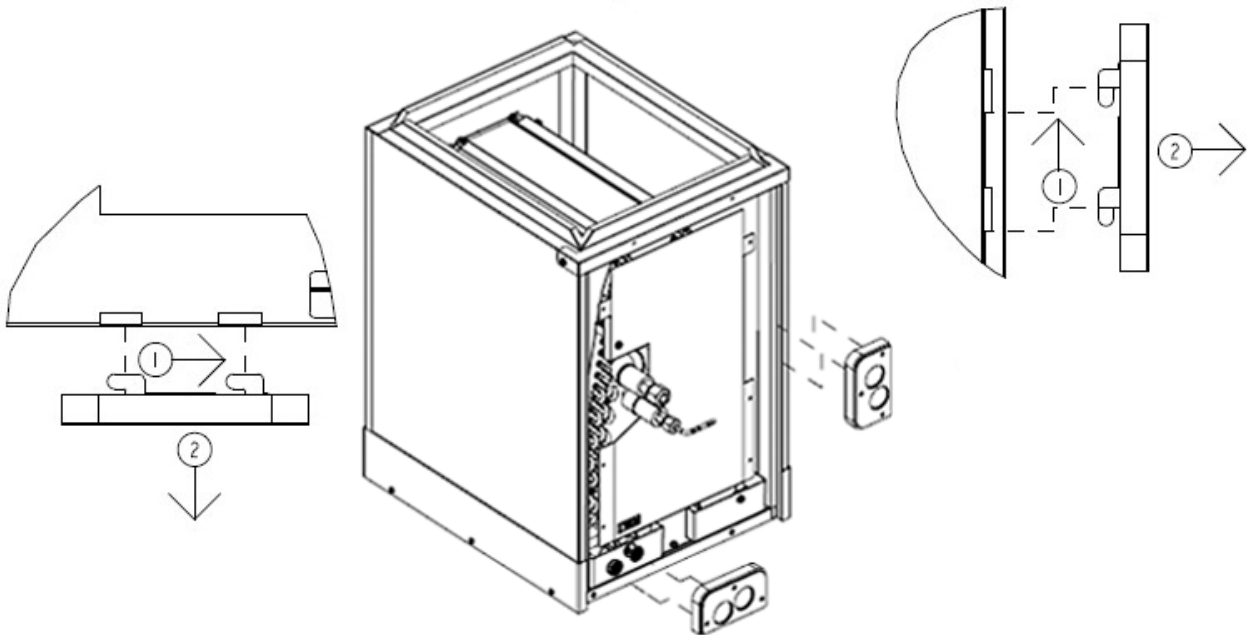
**Étape 2:** Retirez le panneau avant qui est fixé par 12 vis. (Vis non illustrés.)



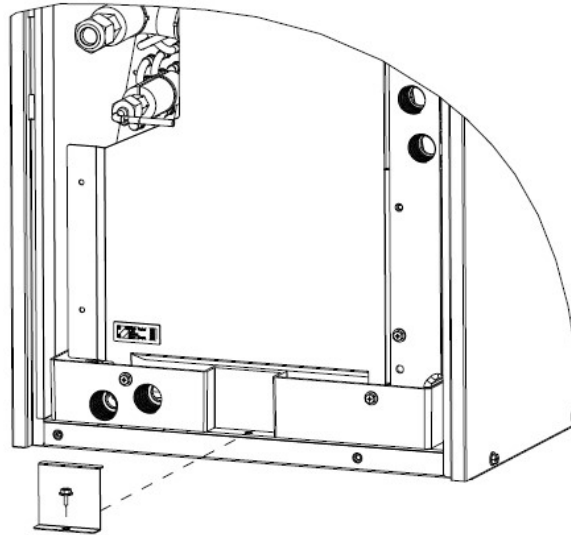
**Étape 3 :** Retirez le panneau de tuyau (panneau de tuyau principal) qui est accroché à l'armoire en le déplaçant dans les directions indiquées sur l'image ci-dessous, puis en le retirant de l'armoire.



**Étape 4 :** Retirez les deux panneaux latéraux (panneau de tuyau latéral), qui sont accrochés à l'armoire, en les déplaçant dans les directions indiquées dans les images ci-dessous et en les retirant de l'armoire.



**Étape 5:** Retirez le support en Z avant, fixé par une vis située sur la tablette fixée au bac de récupération.

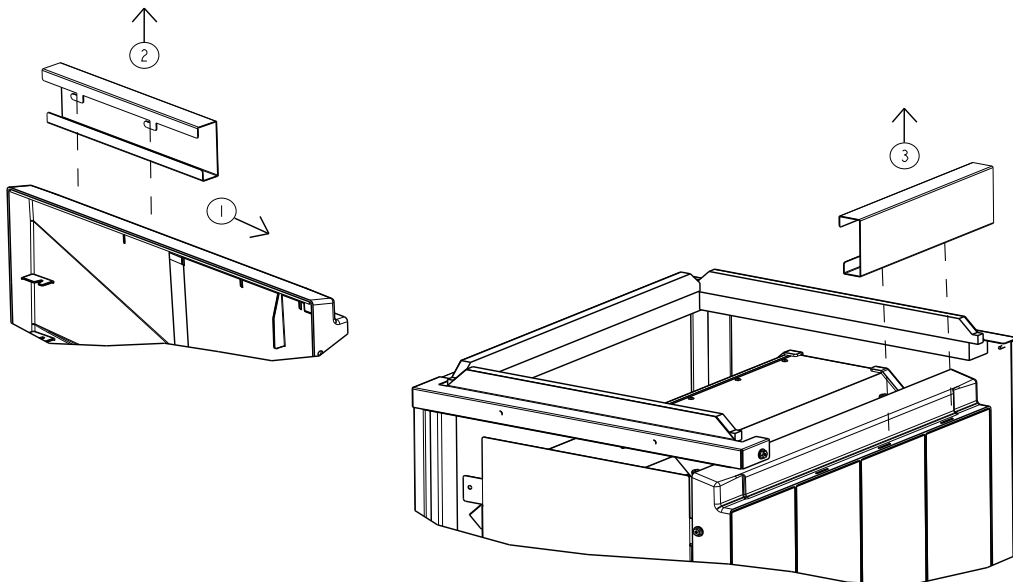


**Étape 6:** Retirez le support du bac de récupération latéral du bac de récupération latéral en le faisant glisser et en le tirant vers le haut. Conservez le support du bac de récupération latéral pour une installation horizontale à gauche. Jeter (recycler) le support destiné aux installations à flux ascendant/descendant.



#### NOTE

Le support du bac de récupération latéral doit être retiré pendant que l'échangeur de chaleur est à l'intérieur de l'armoire. Certaines pièces ne sont pas illustrées pour une image plus claire.



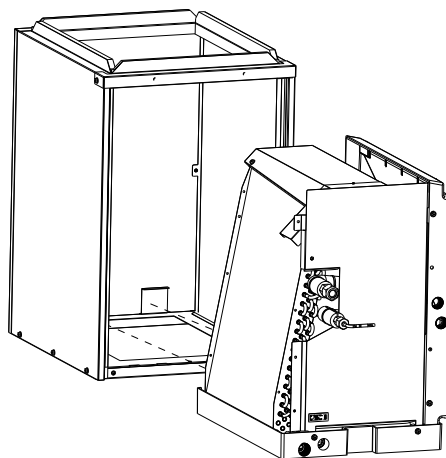


**Étape 7:** Retirez l'échangeur de chaleur en le faisant glisser hors de l'armoire.

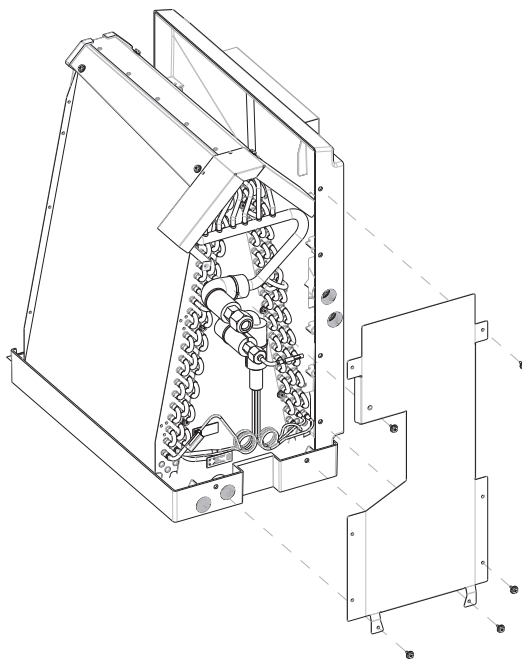


### ATTENTION

- Soyez extrêmement prudent lorsque vous retirez l'échangeur de chaleur de l'armoire, car les fils de la thermistance sont fixés à l'assemblage.
  - Si ces fils sont endommagés, cela peut entraîner un dysfonctionnement de l'appareil.



**Étape 8:** Retirez la plaque avant (maintient les bacs de récupération latéraux et principaux), qui est fixée par 5 vis.

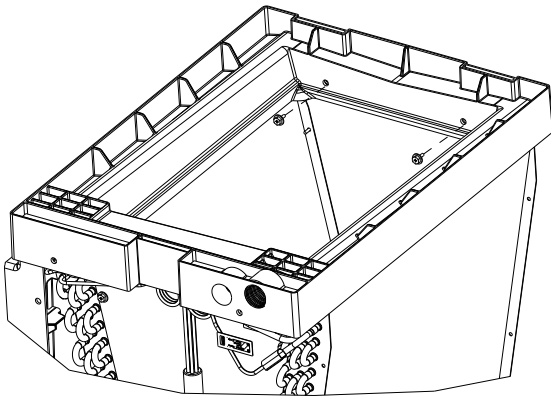


**Étape 9:** Soulevez l'échangeur de chaleur en retirant les 4 vis qui le fixent au bac de récupération.

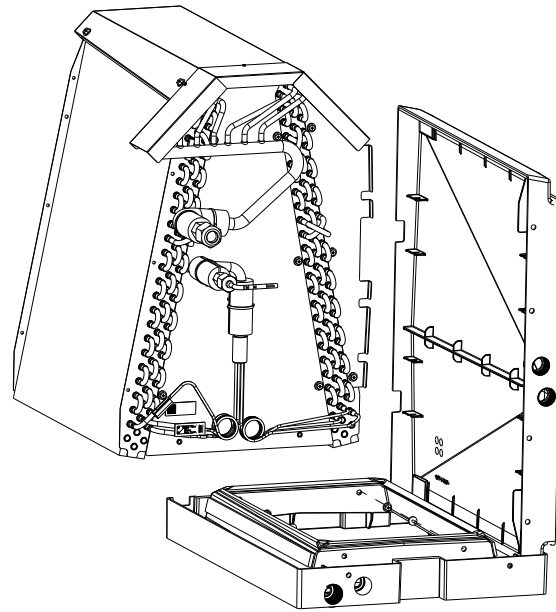


### AVERTISSEMENT

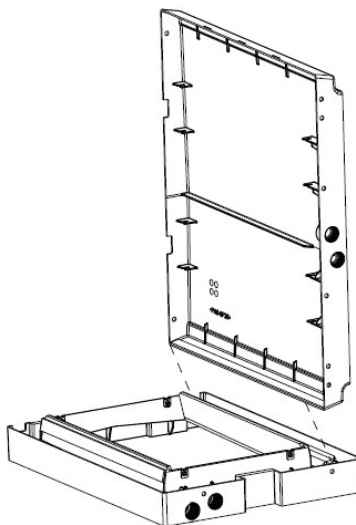
- Le retrait de l'échangeur de chaleur peut entraîner la chute du bac de récupération latéral du bac de récupération principal.
  - Le bac de récupération peut tomber et causer des blessures.



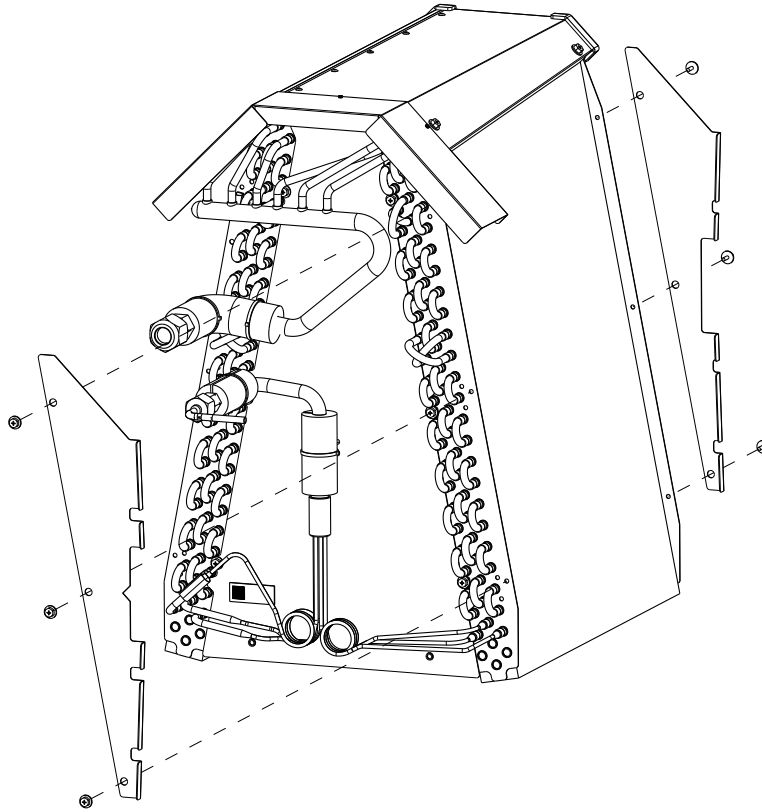
L'unité PAA est inversée pour montrer comment les 4 vis sont retirées.



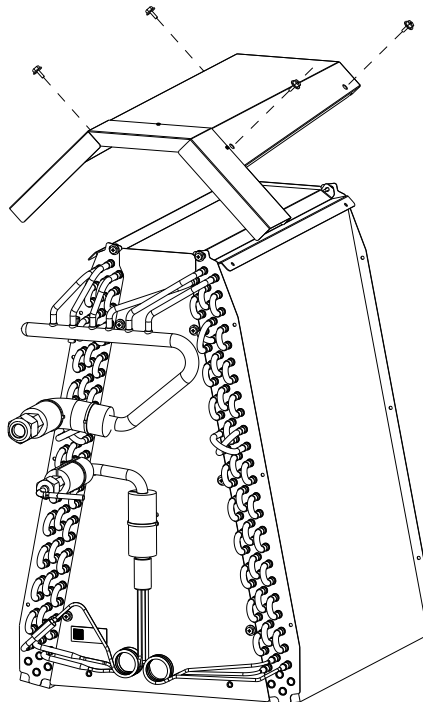
**Étape 10:** Retirez le bac de récupération latéral.



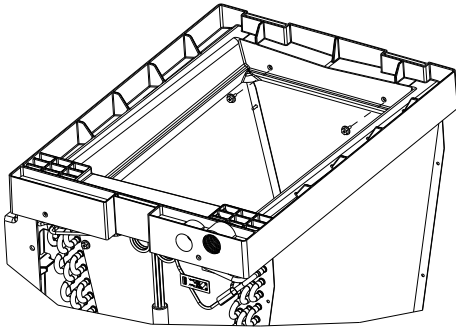
**Étape 11:** Retirer les 2 pièces triangulaires, retenues avec 6 vis, de l'échangeur de chaleur. Jetez (recyclez) les pièces. Jeter (recycler) les pièces.



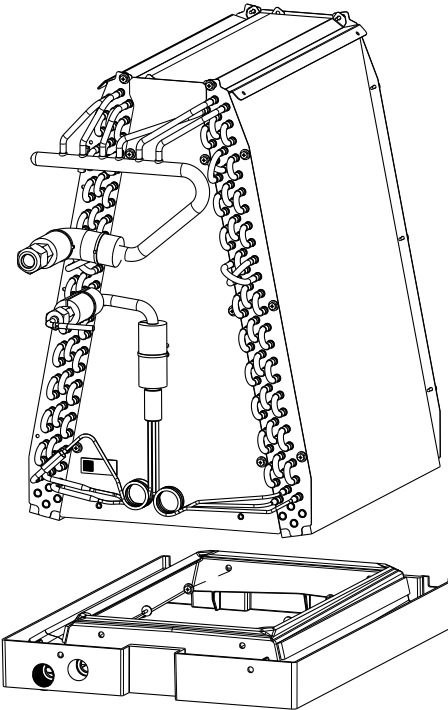
**Étape 12:** Retirez la plaque supérieure située sur le dessus de l'échangeur de chaleur, maintenue par 4 vis. Jetez (recyclez) la plaque supérieure. Jetez (recyclez) la plaque supérieure.



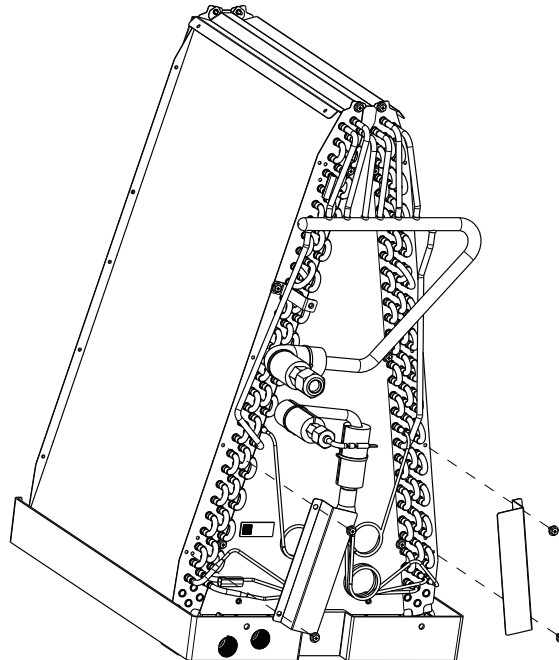
**Étape 13:** Fixez l'échangeur de chaleur au bac de récupération principal avec les 4 vis.



L'unité PAA est inversée pour montrer comment les 4 vis sont installées.



**Étape 14:** Lors de l'installation des modèles d'unité PAA PAA-A36, 42 BA1/CA1 dans la configuration à flux descendant, attachez les deux couvercles pliés en U fournis dans le sac d'accessoires avec les 4 vis fournies.



**Effectuez les étapes suivantes pour remplacer l'échangeur de chaleur (sans bac de récupération latéral) à l'intérieur de l'armoire.**

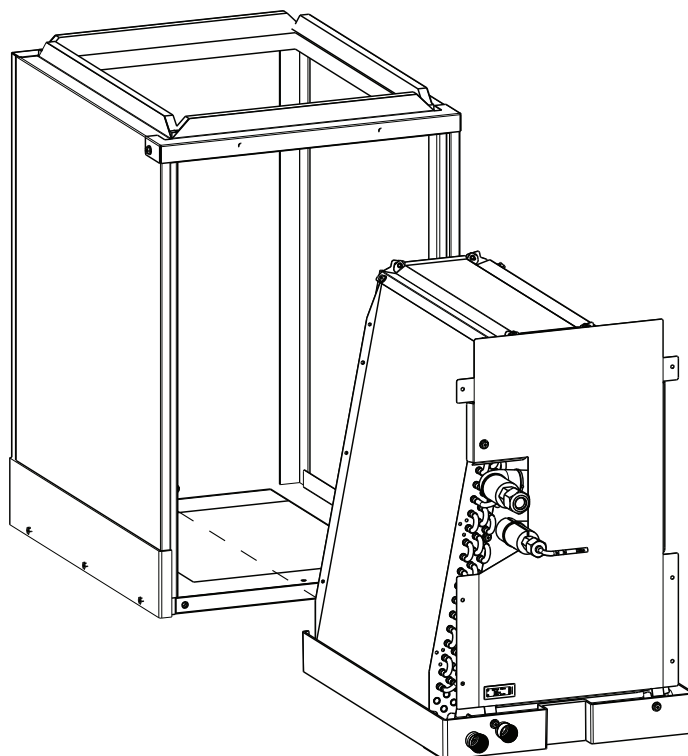
**Étape 15:** Fixez la plaque avant au bac de récupération principal à l'aide des 3 vis.

**Étape 16 :** Réinsérez l'échangeur de chaleur dans l'armoire.

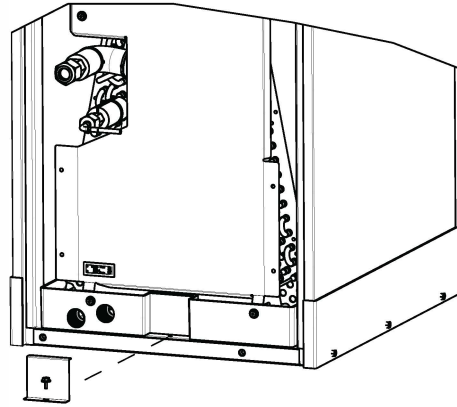


### ATTENTION

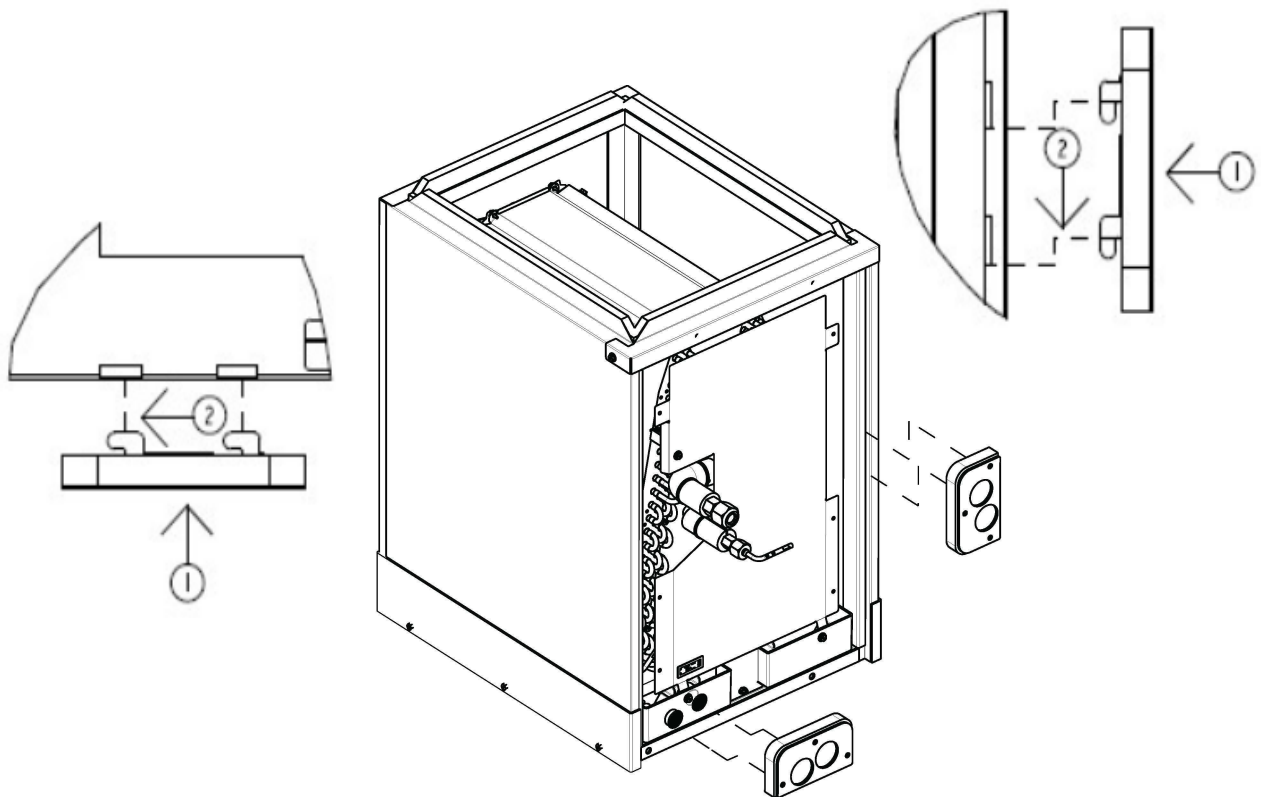
- Soyez extrêmement prudent lorsque vous réinsérez l'échangeur de chaleur dans l'armoire pour éviter d'endommager les fils de la thermistance.
  - Les fils de thermistance endommagés peuvent entraîner un mauvais fonctionnement ou une dangereuse utilisation de l'appareil.



**Étape 17:** : Utilisez la vis (1) pour installer le support en Z avant afin de fixer l'échangeur de chaleur à l'armoire.

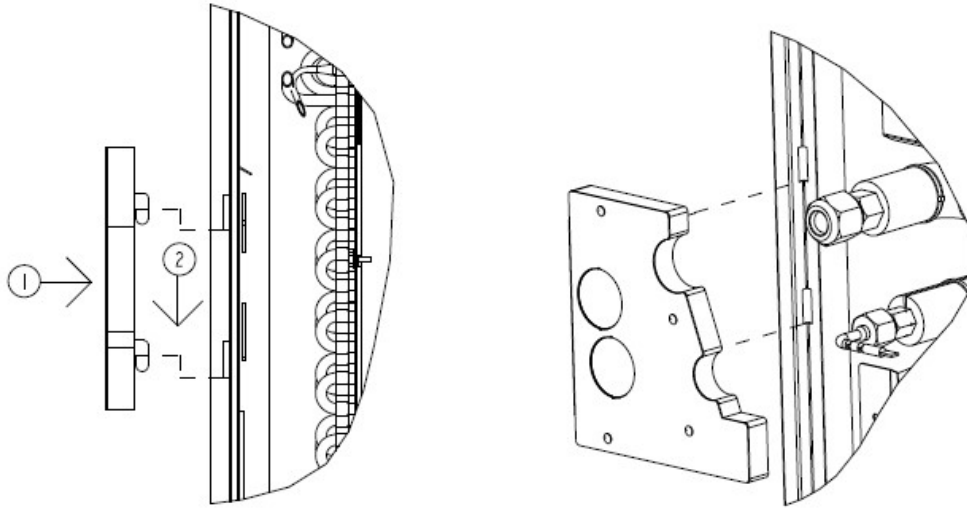


**Étape 18:** Remplacez les 2 panneaux latéraux (ensembles de panneaux de tuyauterie latéraux).

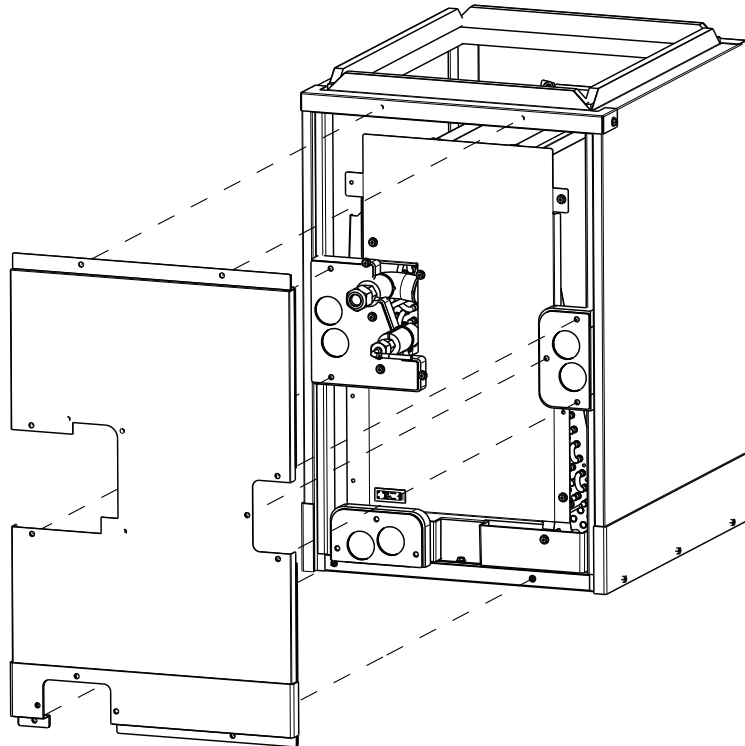


FRANÇAIS

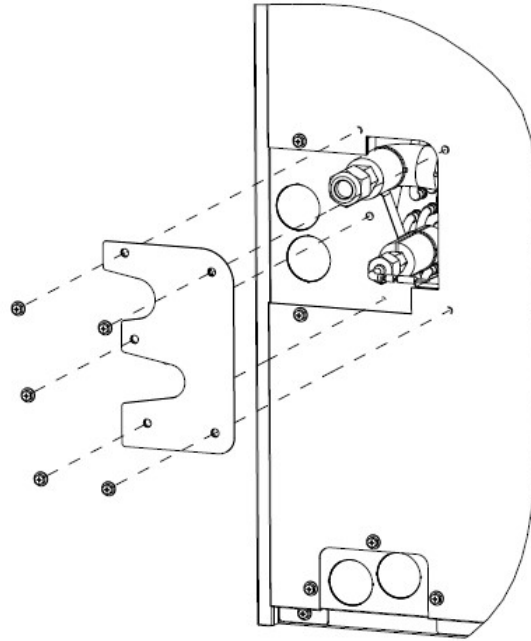
**Étape 19:** Remplacez le panneau de tuyauterie (panneau de tuyauterie principal).



**Étape 20 :** Remplacez le panneau avant à l'aide des 12 vis. (Vis non illustrés.)



**Étape 21** : Remplacez le panneau de tuyau (en utilisant les 5 vis).



### ATTENTION

#### Exigence du bac de récupération auxiliaire

Un bac de récupération auxiliaire sans conduite de vidange séparée doit être installé sous la fournaise. Le bac doit avoir une profondeur minimale de 38 mm (1,5 po), être d'au moins 76 mm (3 po) plus grand que l'unité ou les dimensions de la bobine en largeur et en longueur et doit être fait de matériau résistant à la corrosion. Les plaques en tôle d'acier galvanisé doivent avoir une épaisseur minimale d'au moins 0,6010 mm (0,0236 po). (Ne pas utiliser de calibre 24.) Les bacs non métalliques doivent avoir une épaisseur minimale de 1,6 mm (0,0625 po). Ce bac doit être équipé d'un dispositif de détection de niveau d'eau conforme à la norme UL 508 qui arrête l'équipement servi avant le débordement du bac. Le bac doit être muni d'un raccord pour permettre le drainage.

## 10.3. Installation horizontale à gauche

Pour retirer l'échangeur de chaleur de l'armoire, effectuez les **étapes 1 à 10** décrites dans la section « Installation à flux ascendant/descendant ».



### NOTE

Le bac de récupération latéral doit être déplacé pour les installations horizontales à gauche.

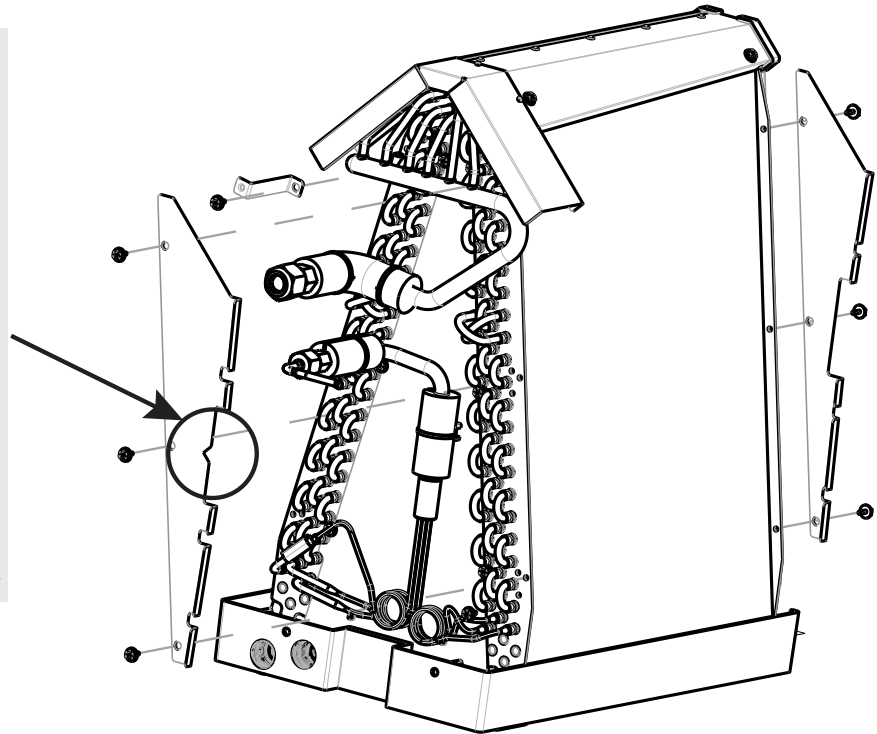


**Étape 1:** Retirez et jetez (recyclez) le support en Z supérieur gauche. Retirez les deux pièces triangulaires de l'ensemble échangeur de chaleur.



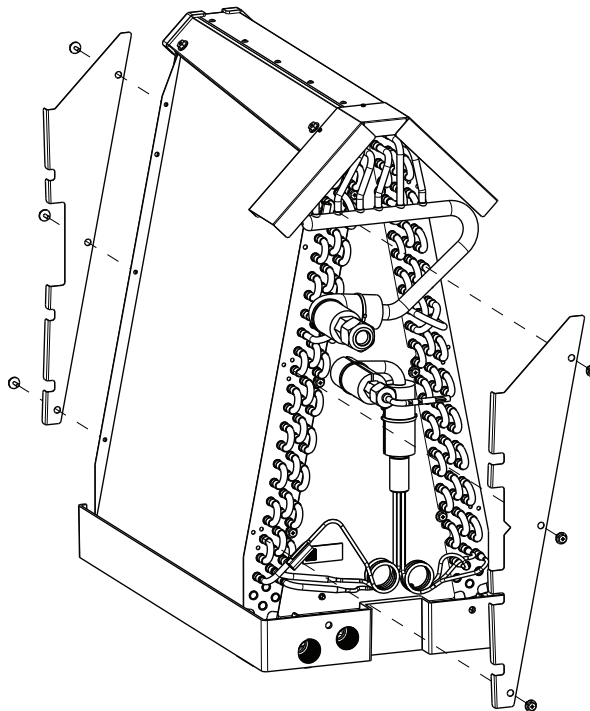
**AVERTISSEMENT**

Lors du passage de la position d'installation de droite à la position d'installation de gauche, la partie triangulaire avant, reconnaissable par une encoche en V sur un bord, reste à l'avant de l'assemblage d'échangeur de chaleur et la partie triangulaire arrière reste à l'arrière de l'assemblage. Le non-respect de cette précaution peut entraîner des problèmes de drainage du condensat.

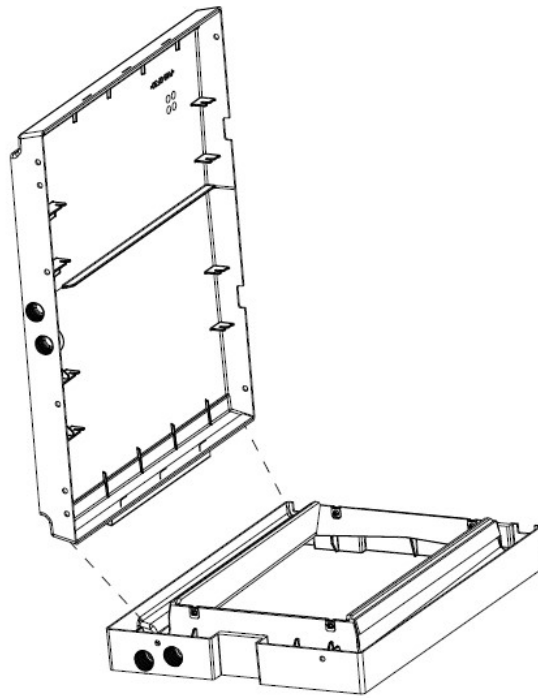


FRANÇAIS

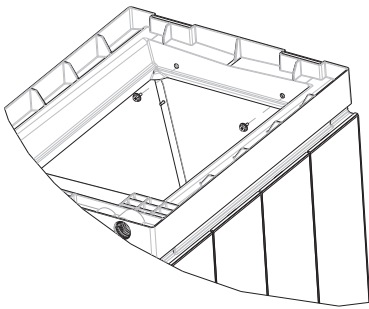
**Étape 2:** Fixez les deux pièces triangulaires sur le côté gauche de l'échangeur de chaleur.



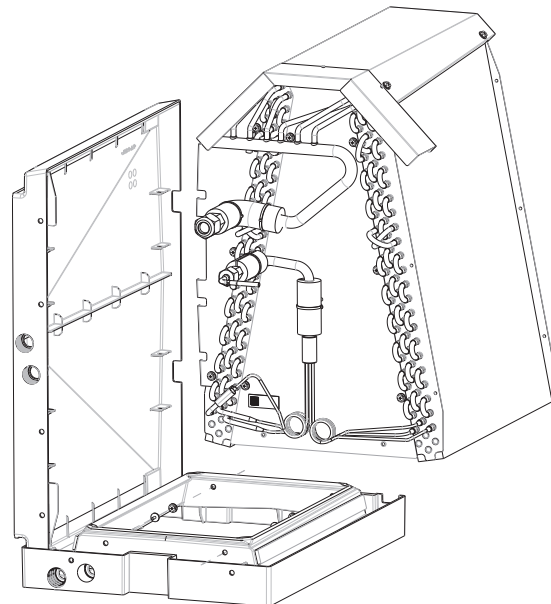
**Étape 3:** Insérez le bac de récupération latéral dans le côté gauche du bac de récupération principal, comme illustré ci-dessous.



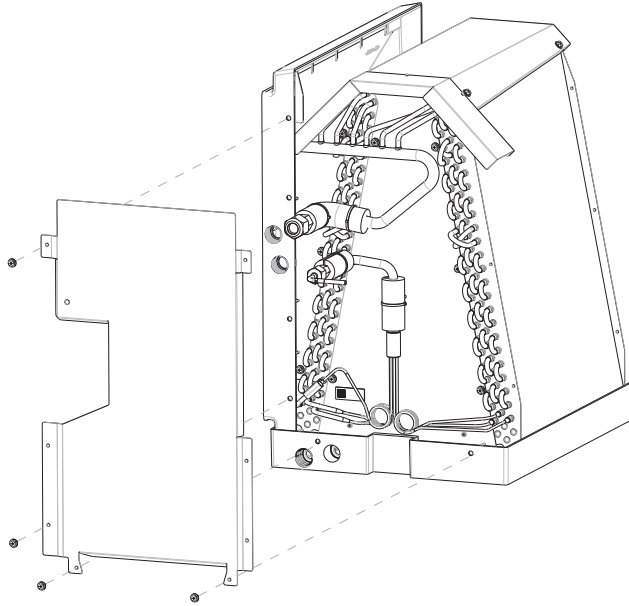
**Étape 4:** Fixez l'échangeur de chaleur au bac de récupération principal avec les 4 vis.



L'unité PAA est inversée pour montrer comment les 4 vis sont installées.



**Étape 5:** Fixez la plaque avant au bac de récupération principal à l'aide des 4 vis.

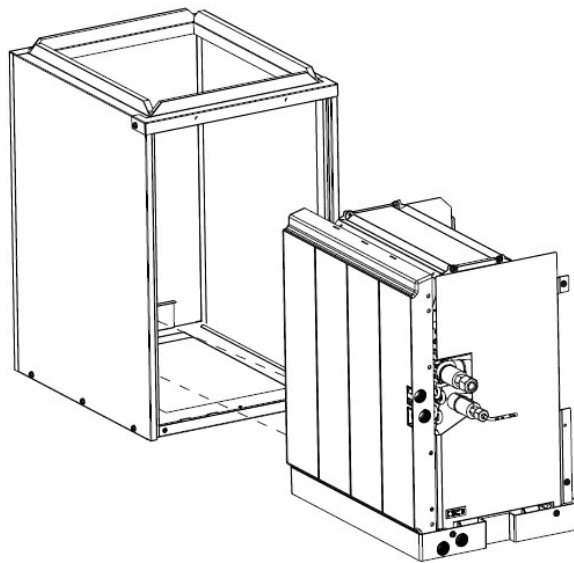


**Étape 6:** Réinsérez l'échangeur de chaleur dans l'armoire. Assurez-vous que les encoches à l'arrière du bac de récupération principal s'engagent avec les deux supports arrière à l'intérieur de l'armoire.



### ATTENTION

- Soyez extrêmement prudent lorsque vous réinsérez l'échangeur de chaleur dans l'armoire pour éviter d'endommager les fils de la thermistance.
  - Les fils de thermistance endommagés peuvent entraîner un mauvais fonctionnement ou une dangereuse utilisation de l'appareil.

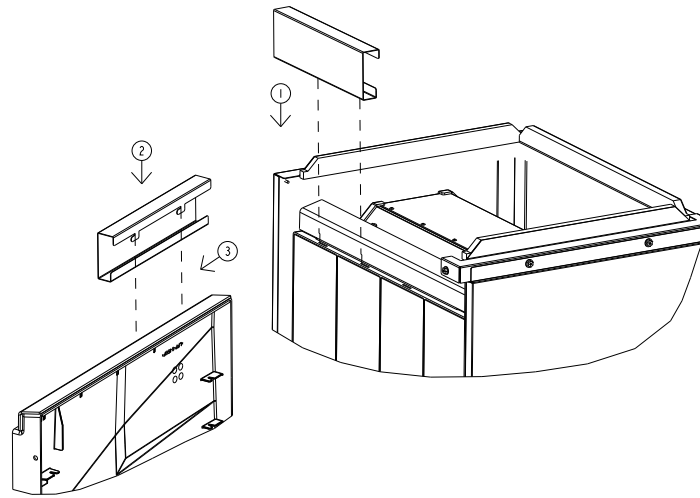


**Étape 7:** Remplacez le support du bac de récupération latéral.

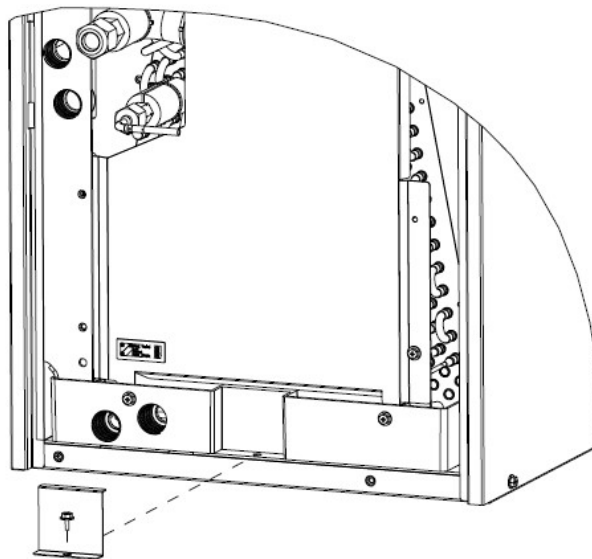


**NOTE**

Le support du bac de récupération latéral doit être installé à l'aide des 2 trous à l'arrière de l'armoire pendant que l'échangeur de chaleur est dans l'armoire. Certaines pièces ne sont pas illustrées pour une image plus claire.

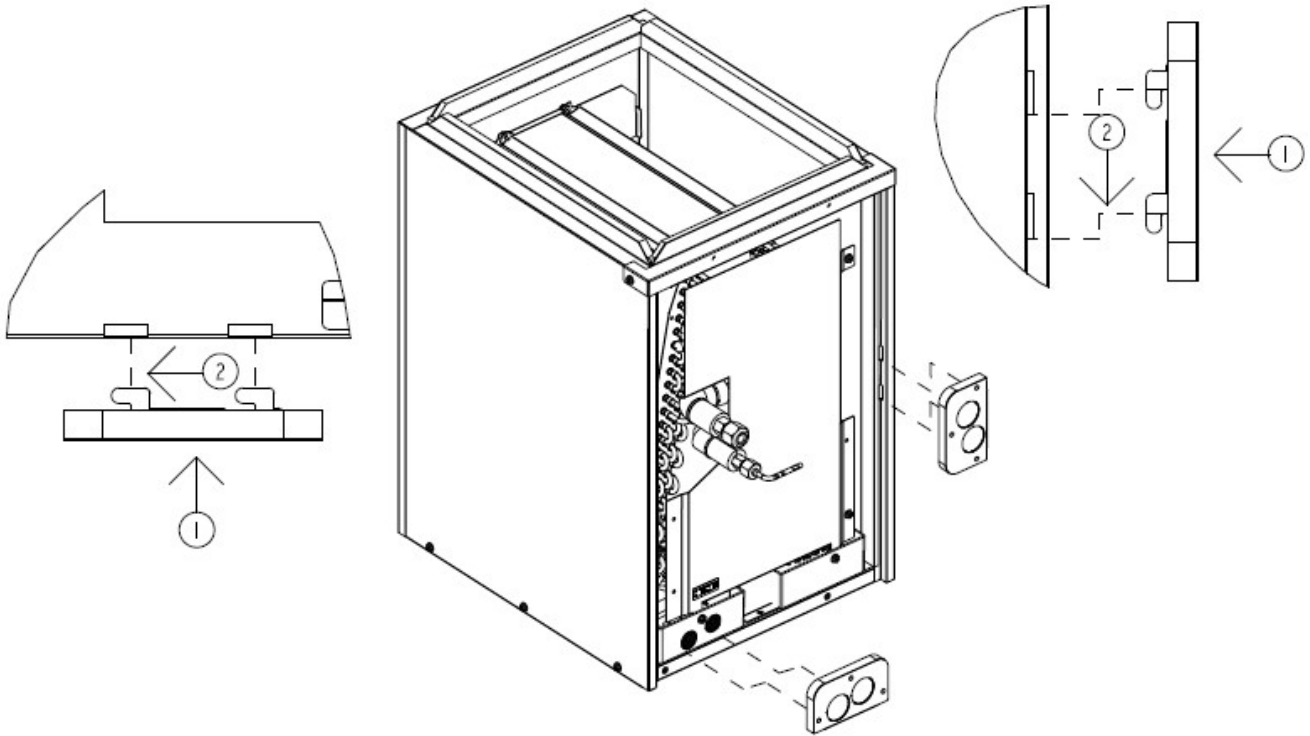


**Étape 8:** Utilisez la vis (1) pour installer le support en Z avant afin de fixer l'échangeur de chaleur à l'armoire.

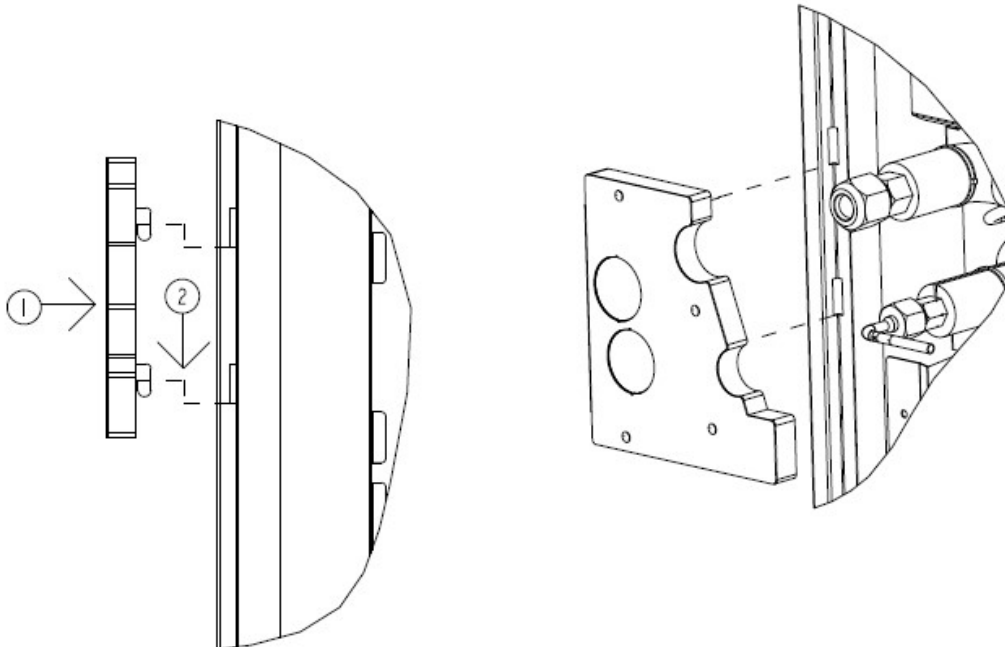


FRANÇAIS

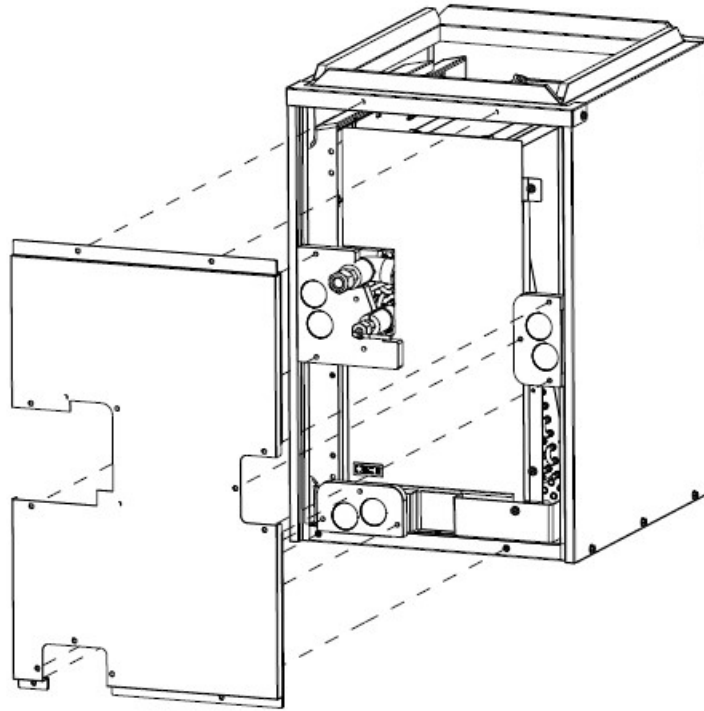
**Étape 9:** Remplacez les 2 panneaux latéraux (panneau de tuyauterie latéral).



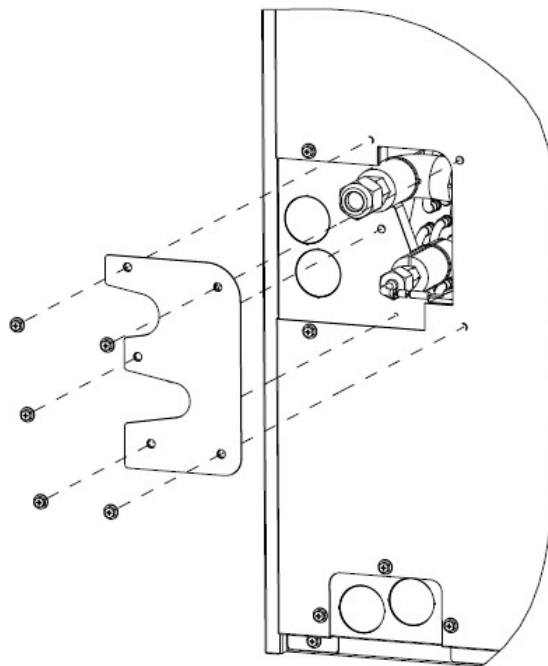
**Étape 10:** Remplacez le panneau de tuyauterie (panneau de tuyauterie principal).



**Étape 11:** Remplacez le panneau avant à l'aide des 12 vis. (Vis non illustrés.)



**Étape 12 :** Remplacez le panneau de tuyau (en utilisant les 5 vis).



## 10.4. Installation horizontale à droite

L'unité PAA est expédiée de l'usine pour une configuration horizontale à droite, aucune autre modification n'est requise.

Si l'ensemble échangeur de chaleur est retiré, veuillez suivre **les étapes 1 à 10** (orientation verticale - voir la section « Installation à flux ascendant/descendant ») dans l'ordre inverse pour remplacer l'échangeur de chaleur dans l'armoire.



### ATTENTION

#### Exigence du bac de récupération auxiliaire

Un bac de récupération auxiliaire sans conduite de vidange séparée doit être installé sous l'armoire de l'unité PAA. Le bac doit avoir une profondeur minimale de 38 mm (1,5 po), être d'au moins 76 mm (3 po) plus grand que l'unité ou les dimensions de la bobine en largeur et en longueur et doit être fait de matériau résistant à la corrosion. Les plaques en tôle d'acier galvanisé doivent avoir une épaisseur minimale d'au moins 0,6010 mm (0,0236 po). (Ne pas utiliser de calibre 24.) Les bacs non métalliques doivent avoir une épaisseur minimale de 1,6 mm (0,0625 po). Ce bac doit être équipé d'un dispositif de détection de niveau d'eau conforme à la norme UL 508 qui arrête l'équipement servi avant le débordement du bac. Le bac doit être muni d'un raccord pour permettre le drainage.



## 11. Travaux de tuyauterie de réfrigérant



### NOTE

Pour les contraintes sur les longueurs de tuyauterie de réfrigérant et les différences d'élévation autorisées, consultez la section de conception du manuel d'ingénierie.

Pour obtenir des renseignements concernant les longueurs totales maximales de la tuyauterie des raccords de la série PAA, voir « Raccord série PAA » à la section « Avant de commencer ».

La méthode de raccordement de tuyau sur l'unité PAA est le raccord évasé.

Fournir un renfort approprié pour la tuyauterie de réfrigérant afin qu'aucune charge ne soit transmise sur les connexions au niveau de l'unité PAA.



### AVERTISSEMENT

- Portez toujours des lunettes de sécurité lorsque vous travaillez à proximité de dispositifs sous pression.
  - Le non-respect des exigences de sécurité peut entraîner des blessures, la mort ou des dommages au bâtiment.

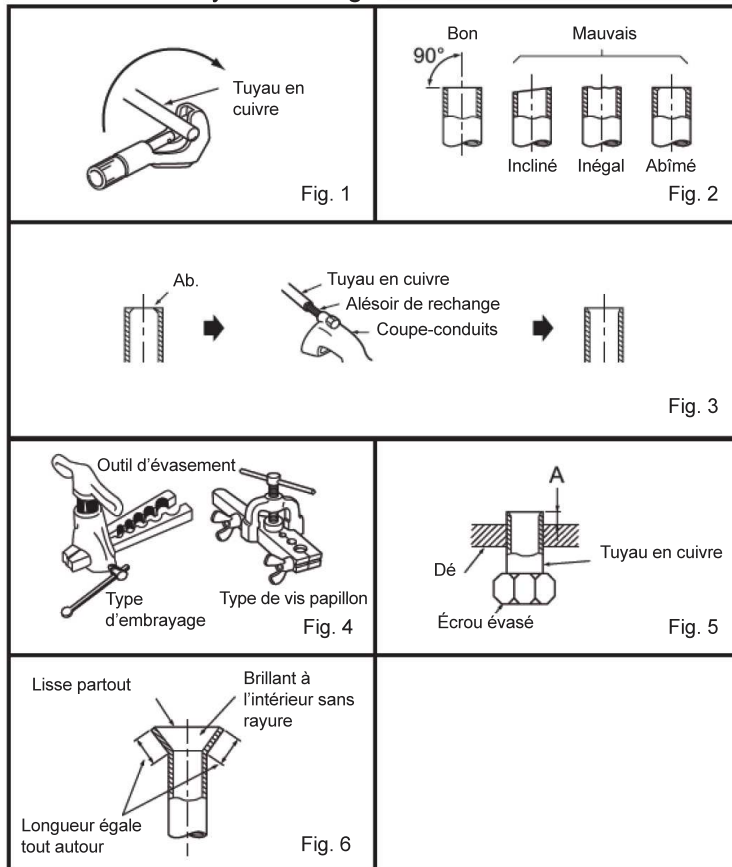


## ATTENTION

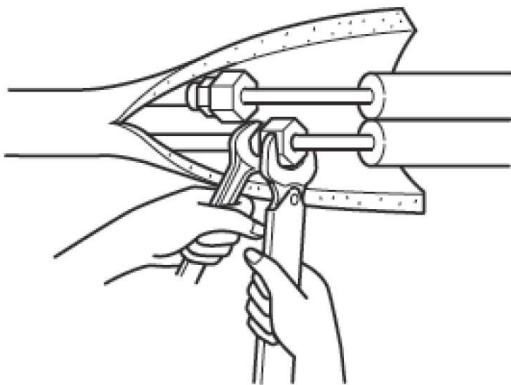
- Lors de l'installation ou du déplacement de l'appareil, ne le chargez pas avec du réfrigérant autre que le réfrigérant spécifié sur l'appareil.
  - Le mélange d'un réfrigérant, d'air, etc. différent peut entraîner un dysfonctionnement du cycle de réfrigérant et entraîner des dommages graves.
- Utilisez des tuyaux de frigorigène en cuivre désoxydé de phosphore C12200 (Cu-DHP) comme spécifié dans la norme ASTM B280 pour le tube de cuivre sans soudure pour le service sur le terrain de climatisation et de réfrigération. De plus, assurez-vous que les surfaces internes et externes des tuyaux sont propres et non contaminées par des sulfures dangereux, des oxydes, de la poussière ou de la saleté, des éclats de métal, des huiles, de l'humidité ou tout autre contaminant. N'utilisez jamais la tuyauterie de frigorigène existante.
- Les unités PAA sont expédiées avec une charge de retenue d'azote dans le serpentín. Observez soigneusement ces instructions pour relâcher la charge.
  - Retirez soigneusement l'écrou évasé de l'extrémité du tuyau pour libérer tout gaz.
  - Les deux canalisations de frigorigène doivent être complètement isolées jusqu'à l'enceinte. Assurez-vous que les ouvertures dans l'armoire autour des conduites de frigorigène sont scellées. L'isolant de 3/8 po d'épaisseur est l'épaisseur minimale recommandée. En fonction des conditions ambiantes, des codes locaux et de la longueur des canalisations, de l'isolation plus épaisse peut être requis.
  - N'endiguez pas les filets des écrous évasés d'huile. Cela peut causer le desserrement des écrous évasés et des fuites de frigorigène.

Détails de la tuyauterie				
Diamètre du tuyau po (mm)	Écrou (mm)	A pouce (mm) Outil de type embrayage pour R410A	Couple de serrage N*m	lb*pi (kgf*cm)
1/4 (6.35)	(17)	0 à 0,02 (0 à 0,5)	13,7 à 17,7	10 à 13 (140 à 180)
3/8 (9.52)	(22)		34,3 à 41,2	25 à 30 (350 à 420)
1/2 (12.7)	(26)		49,0 à 56,4	36 à 42 (500 à 575)
5/8 (15.88)	(29)		73,5 à 78,4	54 à 58 (750 à 800)

### Traitement du tuyau de réfrigérant



Appliquer un couple approprié aux écrous évasés.



- Entrez la tuyauterie à utiliser pendant l'installation à l'intérieur et gardez les deux extrémités de la tuyauterie scellées jusqu'à ce qu'elles soient bien en place juste avant le brasage.
- Si de la poussière, de la saleté ou de l'eau pénètre dans le cycle de frigorigène, l'huile se détériorera et le compresseur pourrait tomber en panne.
- Utilisez de l'huile de réfrigérant pour enduire les évasements et les raccords à brides avant la connexion.
- Le réfrigérant utilisé dans l'appareil est hautement hygroscopique et se mélange à l'eau, ce qui dégradera l'huile de réfrigérant.



### ATTENTION

N'utilisez jamais la tuyauterie de frigorigène existante. La grande quantité de contaminants dans d'autres réfrigérants et l'huile de réfrigérant dans la tuyauterie existante entraîneront la détérioration du nouveau frigorigène.

## 11.1. Isolation des conduites de réfrigérant

Afin d'éviter la condensation, fournissez une isolation suffisante pour les tuyaux de frigorigène et de vidange. Lors de l'utilisation de tuyaux de frigorigène disponibles sur le marché, assurez-vous de les enrouler avec du matériau isolant pouvant résister à une température supérieure à 212° F [100° C]. L'épaisseur recommandée de l'isolant se trouve dans le tableau ci-dessous. Cela s'applique aux tuyaux de liquide et de gaz. Isolez tous les tuyaux intérieurs d'isolation au polyéthylène d'une densité minimum de 0,03 g/cm<sup>3</sup> [2,0 lb/pi<sup>3</sup>] et de l'épaisseur spécifiée dans le tableau ci-dessous.

Taille du tuyau	Épaisseur de l'isolant
6,4 mm à 25,4 mm [1/4 à 1 po]	> 10 mm [7/16 po]
28,6 mm à 38,1 mm [1-1/8 à 1-1/2 po]	> 15 mm [5/8 po]

- Si l'unité est utilisée sur l'étage le plus élevé d'un bâtiment et sous une température et une humidité élevées, il est nécessaire d'utiliser un isolant plus épais que celui spécifié dans le tableau ci-dessus.
- S'il existe des spécifications du client, veuillez les suivre.

## 11.2. Taille de la tuyauterie

Modèle	Tuyau de liquide	Tuyau de gaz	Tuyau de vidange
PAA-A18AA1	Lorsque l <sup>1</sup>	1/2 po <sup>2</sup>	D.E. 32 mm (1 1/4 po)
PAA-A18BA1	1/4 po <sup>1</sup>	1/2 po <sup>2</sup>	D.E. 32 mm (1 1/4 po)
PAA-A24AA1	3/8 po	5/8 po	D.E. 32 mm (1 1/4 po)
PAA-A24BA1	3/8 po	5/8 po	D.E. 32 mm (1 1/4 po)
PAA-A30AA1	3/8 po	5/8 po	D.E. 32 mm (1 1/4 po)
PAA-A30BA1	3/8 po	5/8 po	D.E. 32 mm (1 1/4 po)
PAA-A36BA1	3/8 po	5/8 po	D.E. 32 mm (1 1/4 po)
PAA-A36CA1	3/8 po	5/8 po	D.E. 32 mm (1 1/4 po)
PAA-A42BA1	3/8 po	5/8 po	D.E. 32 mm (1 1/4 po)
PAA-A42CA1	3/8 po	5/8 po	D.E. 32 mm (1 1/4 po)

<sup>1</sup> unité extérieure PUZ est connectée, veuillez utiliser un tuyau de 3/8 po avec le PAC-493PI pour le tuyau de liquide.

<sup>2</sup> lorsque l'unité extérieure PUZ est connectée, veuillez utiliser un tuyau de 5/8 po avec le PAC-A456JP-E pour le tuyau de gaz.

## 12. Raccords de vidange

Serrez les raccords du bac de vidange à la main plus un ou deux tours, mais pas plus de deux tours et demie. Assurez-vous d'utiliser un scellant pour les joints filetés. Utiliser un scellant non durcissant, compatible avec le plastique et efficace à des températures allant jusqu'à 250° F.



### ATTENTION

- **Un serrage excessif des raccords de vidange pourrait entraîner la rupture et la défaillance du bac de vidange.**
- Le bac de récupération se dilate ou se contracte lorsqu'il est exposé à des changements de température et d'humidité. Ne **pas** envelopper de ruban de téflon ou appliquer de la pâte de téflon, de la pâte de tuyau ou un autre scellant pour l'application de tuyaux métalliques pour ajouter du volume au joint. En utilisant de tels types de scellants, l'eau peut s'écouler du bac de récupération lorsque le bac de récupération se dilate ou se contracte. De tels types de scellants lubrifient également le filetage, ce qui entraîne un serrage excessif et un bri du raccord.

L'unité PAA contient deux ensembles de raccords de drain FPT de 3/4 po. Un ensemble de connexions doit être utilisé lors du montage vertical de l'unité et l'autre lors du montage horizontal. Chaque jeu comprend un drain principal et un drain secondaire ou auxiliaire. Le drain principal est celui le plus bas (de niveau avec le fond du bac). Le drain secondaire est à un niveau plus élevé. Ils sont étiquetés sur les dessins dimensionnels décrits dans la section « Dimensions ».

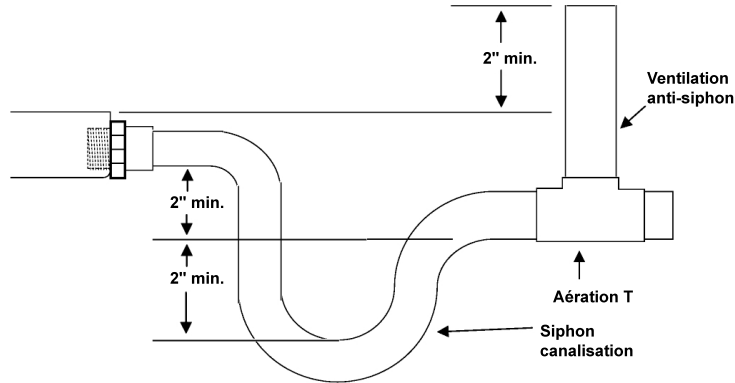
Ces unités fonctionnent avec une pression positive aux raccords de vidange et bien qu'un siphon en P ne soit pas requis, il est recommandé de prévenir la perte de capacité. Observez toujours les codes et les normes locales.

- Le siphon doit être installé aussi près de l'appareil que possible. Assurez-vous que le haut du siphon est en dessous du raccord au bac d'égouttement afin de permettre le drainage complet du bac.
- Inclinez la conduite de vidange d'au moins 1-1/4 po par pied.
  - Ne pas réduire la taille du tuyau de 3-1/4 po, car cela pourrait causer un blocage prématuré dans les conduites.
  - Ne pas braser près de la tuyauterie de drainage en plastique.



### NOTE

L'utilisation d'un raccord de drain surdimensionné pourrait nuire au panneau latéral de l'armoire.



### Montage vertical:

Pour les installations verticales, le raccordement du drain principal de l'appareil de traitement de l'air est situé au centre de l'appareil. Le drain légèrement plus haut, à gauche, est le drain secondaire. Fixez le raccord de vidange et serrez-le correctement avec un enduit d'étanchéité, puis installez la conduite de vidange.



### ATTENTION

**Le serrage excessif du raccord de vidage peut entraîner la fracture et la défaillance du bac d'égouttement.** La connexion secondaire est pour le commutateur de trop-plein (fourni dans le sac d'accessoires). Ce dispositif arrête le refroidissement si jamais le drain principal devait s'obstruer. Reportez-vous à la section sur le câblage pour brancher ce dispositif.

### Montage horizontal (gauche ou droite) :

Si l'appareil est installé à l'horizontale, défoncez la débouchure du panneau avant pour accéder aux raccords du bac d'égouttement latéral. Posez le connecteur comme décrit ci-dessus et acheminez la conduite de vidange. Toute ouverture verticale dans le bac d'égouttement doit être recouverte afin d'éliminer la perte d'air, ce qui réduirait la capacité de l'appareil.



### ATTENTION

**Le serrage excessif du raccord de vidage peut entraîner la fracture et la défaillance du bac d'égouttement.** La connexion secondaire est pour le commutateur de trop-plein (fourni dans le sac d'accessoires). Ce dispositif arrête le refroidissement si jamais le drain principal devait s'obstruer. Reportez-vous à la section sur le câblage pour brancher ce dispositif.

**NOTE**

Les longueurs horizontales doivent aussi avoir une prise d'air antisiphon (colonne montante) installée avant le tronçon horizontal pour éliminer l'emprisonnement d'air. Les canalisations de vidange horizontales doivent être inclinées d'au moins ¼ po par pied (20 mm par mètre). Acheminez les canalisations de vidange à l'extérieur ou à un drain adéquat. Les conduites de vidange doivent être installées de manière à ne pas bloquer l'accès de service à l'avant de l'appareil. Le dégagement de 61 cm (24 po) à l'avant sert à l'entretien ou à l'entretien de routine

**NOTE**

Consultez les lois et règlements locaux avant de raccorder la canalisation de vidange à un système de drainage existant. Isolez le tuyau de vidange où l'eau de condensation peut causer des dommages. Une fois l'installation terminée, il incombe à l'installateur de s'assurer que le bac de vidange capture toute l'eau de condensat et que toute l'eau de condensation est correctement drainée et ne pénètre pas dans le conduit/système.

**ATTENTION**

- Le tuyau de vidange doit être installé conformément aux instructions du manuel d'installation de la chaudière à gaz. Mitsubishi Electric US, Inc. n'est pas responsable des dommages causés par les tuyaux de vidange intégrés, effectués entre la chaudière à gaz et l'unité PAA.

**ATTENTION****Exigence du bac de récupération auxiliaire**

Un bac de récupération auxiliaire sans conduite de vidange séparée doit être installé sous l'armoire en position horizontale gauche/droite et sous la fournaise dans les installations d'unité PAA à flux ascendant/descendant verticales. Le bac doit avoir une profondeur minimale de 38 mm (1,5 po), être d'au moins 76 mm (3 po) plus grand que l'unité ou les dimensions de la bobine en largeur et en longueur et doit être fait de matériau résistant à la corrosion. Les plaques en tôle d'acier galvanisé doivent avoir une épaisseur minimale d'au moins 0,6010 mm (0,0236 po). (Ne pas utiliser de calibre 24.) Les bacs non métalliques doivent avoir une épaisseur minimale de 1,6 mm (0,0625 po). Ce bac doit être équipé d'un dispositif de détection de niveau d'eau conforme à la norme UL 508 qui arrête l'équipement servi avant le débordement du bac. Le bac doit être muni d'un raccord pour permettre le drainage.

## 13. Interrupteur à flotteur



### IMPORTANT

Un interrupteur à flotteur est requis pour toutes les orientations d'installation de l'unité PAA

Afin de protéger la chaudière à gaz contre la corrosion, Mitsubishi Electric US, Inc. demande d'installer un interrupteur à flotteur. Si l'interrupteur à flotteur n'est pas installé, Mitsubishi Electric US, Inc. n'est pas responsable des dommages causés à la chaudière.

Inspectez l'interrupteur à flotteur pour déceler tout dommage. S'il est endommagé, exigez le remplacement avant de poursuivre l'installation.



### NOTE

L'interrupteur à flotteur doit être installé pour assurer le bon fonctionnement du système. Un code d'erreur se produira si le commutateur n'est pas installé.

L'interrupteur à flotteur, également appelé interrupteur de sécurité c.a., est un capteur d'eau électronique pour votre système CVC. Il permet au système CA de détecter l'eau qui s'écoule dans le bac de vidange, ce qui peut indiquer un drain bouché. L'interrupteur à flotteur arrêtera le système si le niveau d'eau atteint un certain point.

L'interrupteur à flotteur est installé dans la conduite de vidange secondaire du climatiseur et si l'eau commence à s'accumuler dans la conduite de vidange, la bille à l'intérieur de l'interrupteur commencera à flotter. Lorsque la bille flotte jusqu'au haut de la ligne de drainage, l'interrupteur transmet un signal à l'unité PAA pour s'éteindre, empêchant ainsi un débordement.



L'interrupteur à flotteur est inclus dans le sac d'accessoires indiqué comme article n°1 dans la section « Accessoires pour l'unité intérieure ».

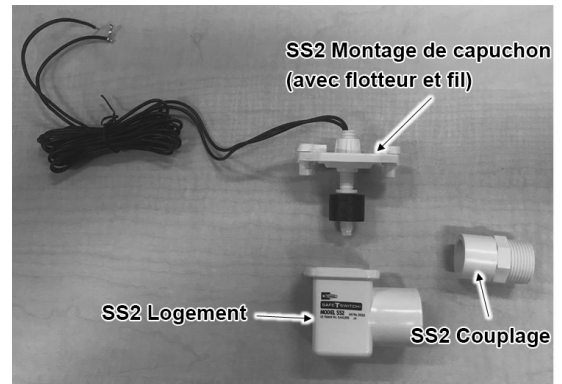


**NOTE**

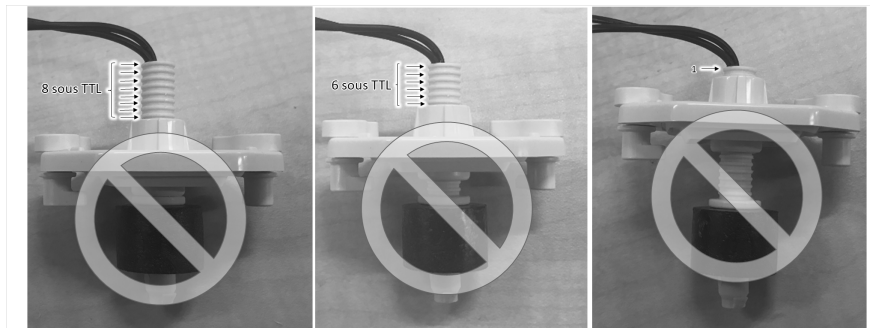
L'installation de l'interrupteur à flotteur est illustrée pour l'orientation verticale de l'unité PAA.

**Étape 1:** L'ensemble de l'interrupteur à flotteur contient les composants suivants :

- Assemblage de capuchon SS2 (avec flotteur et fil)
- Boîtier SS2
- Raccord SS2



**Étape 2:** Assurez-vous que le niveau de détection d'eau de l'interrupteur à flotteur est à 3. Cela indique que le niveau d'installation de l'interrupteur à flotteur est correct et ne nécessite aucun autre réglage.



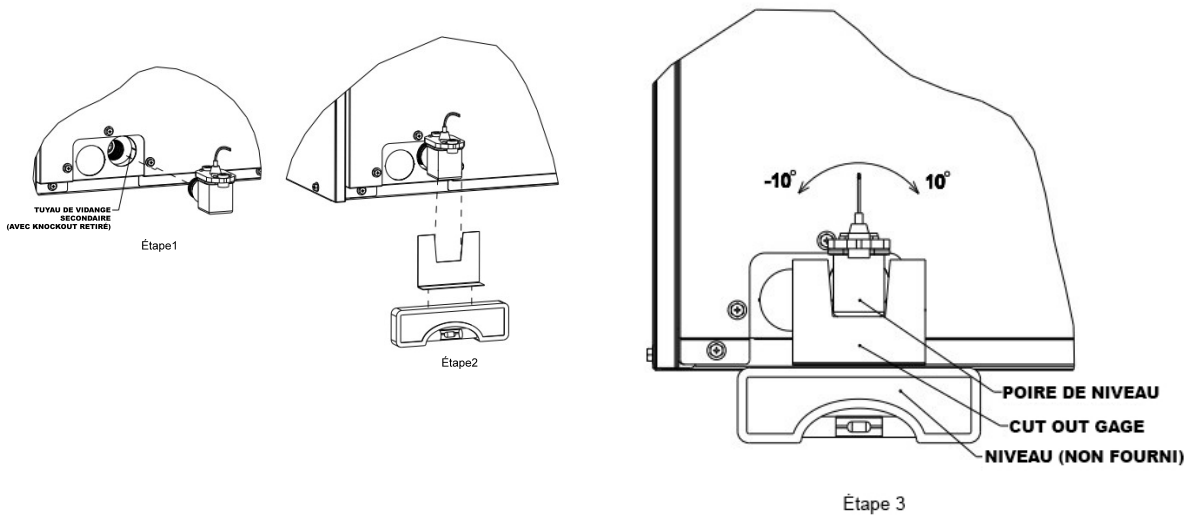
FRANÇAIS

**Étape 3:** Installez l'interrupteur dans le bac de récupération, comme indiqué ci-dessous. Utilisez la jauge de découpe (fournie dans le chapitre « Indicateur de coupe ») pour garantir que l'interrupteur à flotteur est de niveau.



### NOTE

Lorsque le capuchon SS2 est fixé au boîtier SS2, assurez-vous que les deux verrous à came sont en position de verrouillage comme décrit dans le manuel d'installation SS2.



### IMPORTANT

Assurez-vous que la tige est aussi verticale que possible, inclinée d'au plus 10 degrés par rapport à l'orientation verticale.

Pour un fonctionnement adéquat de l'interrupteur à flotteur, vérifiez que l'interrupteur à flotteur est orienté comme indiqué sur l'image ci-dessus. Utilisez un niveau pour s'assurer que l'interrupteur à flotteur est orienté correctement comme illustré.

**Étape 4:** Branchez le connecteur JST, qui est préfixé au commutateur, au CN4F dans le panneau de commande, comme illustré dans la section « Connexion de l'interrupteur de sécurité de trop-plein du condensat (CN4F) ».



### ATTENTION

Lors de l'installation de l'interrupteur à flotteur, tenez compte des problèmes potentiels de fuite d'eau :

- entre le boîtier SS2 et le raccord SS2
- entre la vis du bac de récupération et le raccord SS2

Se reporter à la section [www.rectorseal.com](http://www.rectorseal.com) pour les AVERTISSEMENTS, MISE EN GARDE et AVIS de l'interrupteur à flotteur avant l'installation de l'interrupteur à flotteur. L'interrupteur à flotteur est en PVC. Une température de décharge extrêmement élevée de la chaudière peut endommager l'interrupteur à flotteur. Mitsubishi Electric US, Inc. n'est pas responsable des dommages occasionnés à l'interrupteur à flotteur par la chaleur de la chaudière à gaz.

Si une extension est ajoutée au tuyau de vidange, assurez-vous que l'interrupteur à flotteur peut détecter en toute sécurité les conditions de débordement. Si le niveau de détection de l'eau de l'interrupteur à flotteur est supérieur au niveau de débordement du bac de vidange, Mitsubishi Electric US, Inc. n'est pas responsable des fuites d'eau ou des problèmes de chaudière à gaz, causés par une fuite d'eau de l'unité PAA.

## 14. Installation de la boîte de commande

La fonction principale de la boîte de commande consiste à contrôler le fonctionnement d'un système de chauffage et de climatisation.

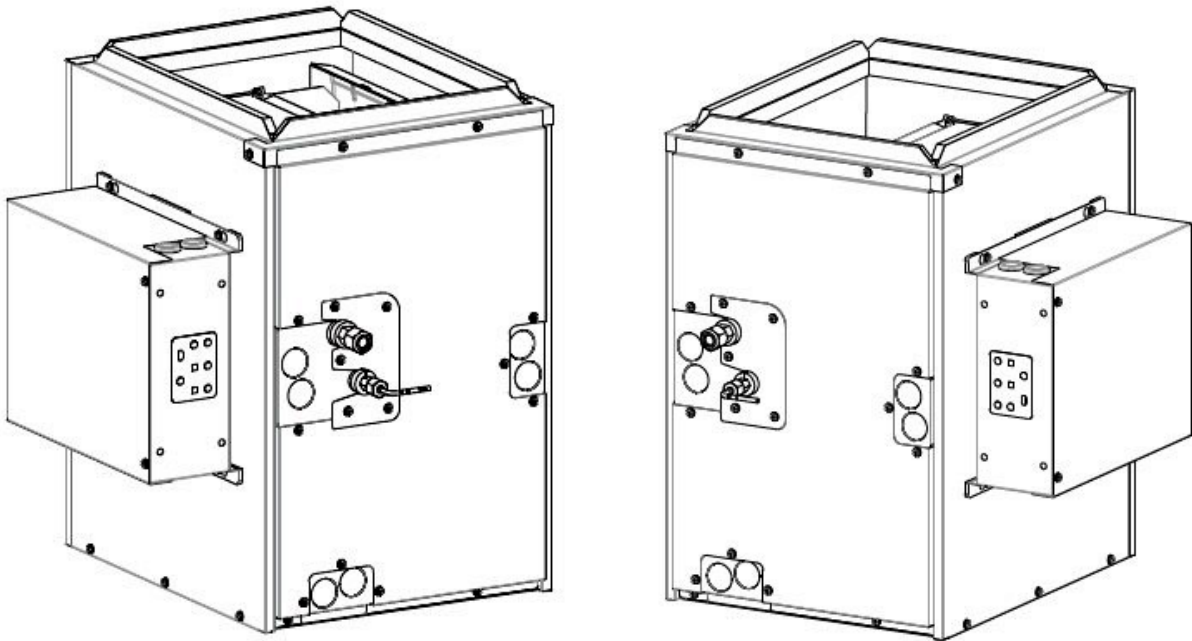
La boîte de commande est livrée avec l'unité PAA et peut être installée sur l'armoire comme illustré ci-dessous ou à l'extérieur (non fixée à l'armoire) à un endroit désigné par le client.

Si elle est installée sur l'armoire, la boîte de commande doit être fixée à l'emplacement désigné, selon l'orientation du PAA.



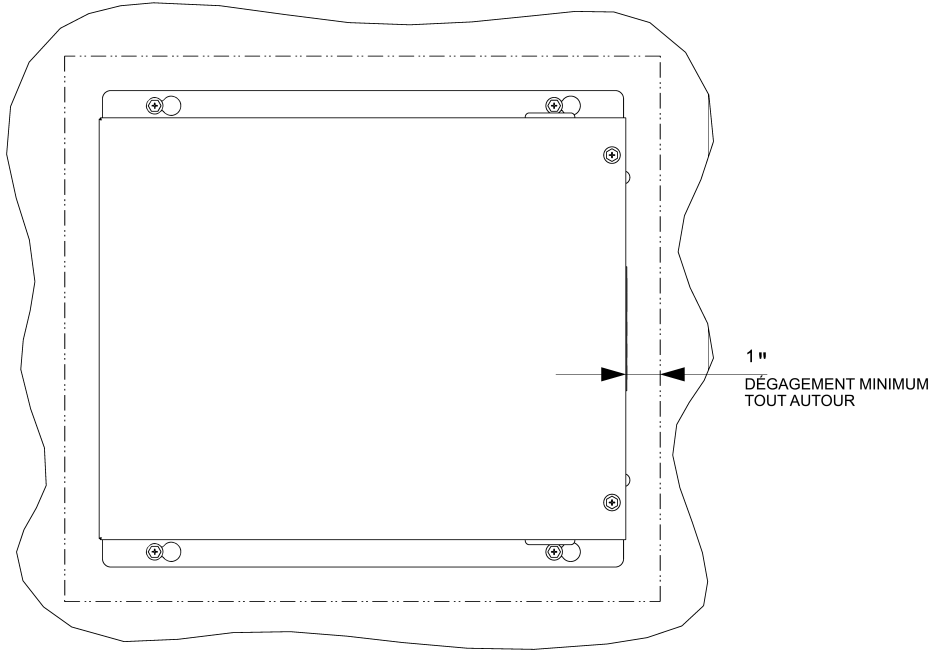
### NOTE

Les orientations recommandées de la boîte de commande sur l'armoire, comme illustré ci-dessous.



Les éléments suivants doivent être pris en compte pour décider d'installer la boîte de commande :

- La boîte de commande doit être installée à au moins 2,5 cm (1 po) du bord de la surface, comme illustré ci-dessous.
- La surface doit être plane.
- La surface ne doit pas comporter de découpes ou de dépressions.



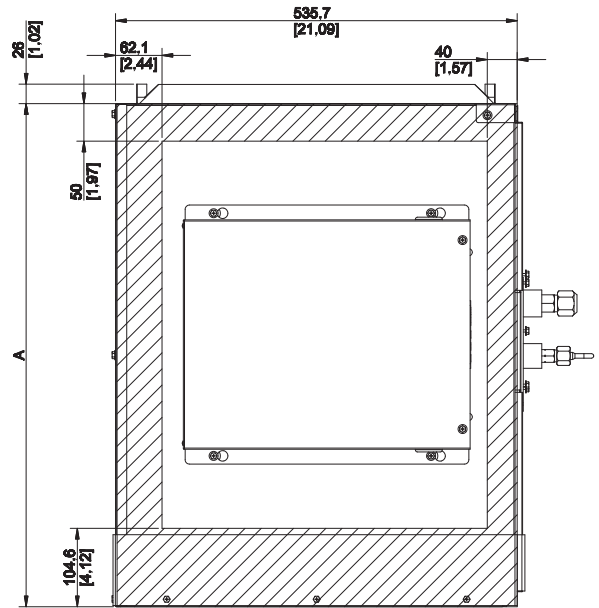
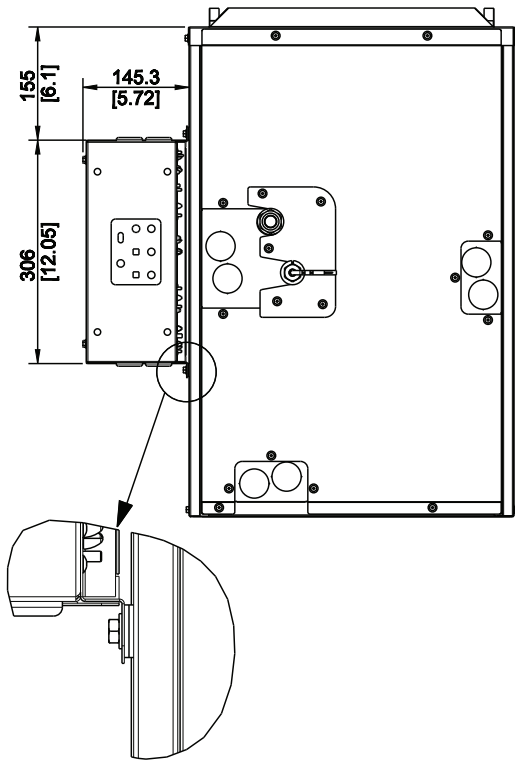
## 14.1. Boîte de commande - installation d'armoire



### NOTE

- La boîte de commande peut être montée sur le côté gauche ou droit de l'armoire. Quoi qu'il en soit, les dimensions de positionnement de la boîte de commande sont les mêmes.
- Pour les environnements où le point de rosée dépasse 23° C (73° F), si la boîte de commande doit être fixée sur l'armoire de l'unité PAA, vérifiez que vous avez exécuté le traitement approprié pour l'armoire de l'unité PAA, par exemple l'enveloppe de conduit, **avant** de fixer la boîte de commande sur l'armoire de l'unité PAA.

Fixez la boîte de commande avec les vis M5 fournies dans le sac d'accessoires en perçant quatre avant-trous de 3/16 po, comme indiqué, dans la zone permise ci-dessous. Placez les rondelles fournies dans le sac d'accessoires entre la boîte de commande et l'armoire.



NE PAS MONTER LE BOÎTIER DE COMMANDE DANS UNE ZONE HACHURÉE

	"A"
PAA-A18AA	671 MM 28-7/16 IN
PAA-A18BA	
PAA-A24AA	
PAA-A30AA	
PAA-A24BA	
PAA-A30BA	788 MM 30-15/16 IN
PAA-A36BA	
PAA-A42BA	
PAA-A36CA	
PAA-A42CA	



## NOTE

- Faire correspondre les trous de perçage (4) selon la disposition.
- Percez uniquement à travers la tôle. Le perçage de toute autre bobine peut l'endommager.
- Les rondelles fournies dans le sac d'accessoires doivent être installées entre la boîte de commande et l'armoire, pour créer un écart entre les deux.



## ATTENTION

Lorsque la température du point de rosée ambiant dépasse 23° C (73° F), de la rosée peut se former sur la surface de l'unité PAA. Sans écart entre la boîte de commande et l'armoire de l'unité PAA, de la rosée peut pénétrer dans la boîte de commande, entraînant des dommages et une défaillance de l'unité.

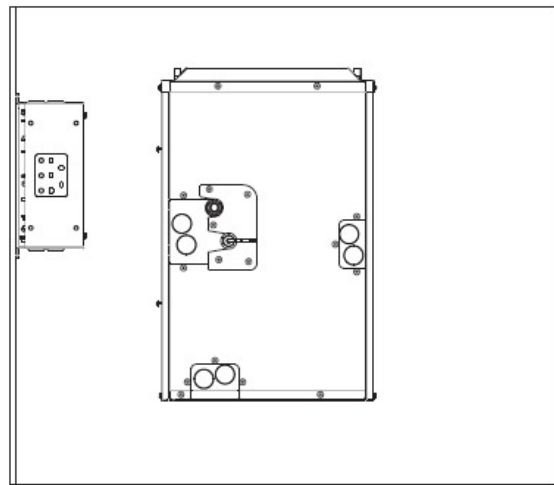
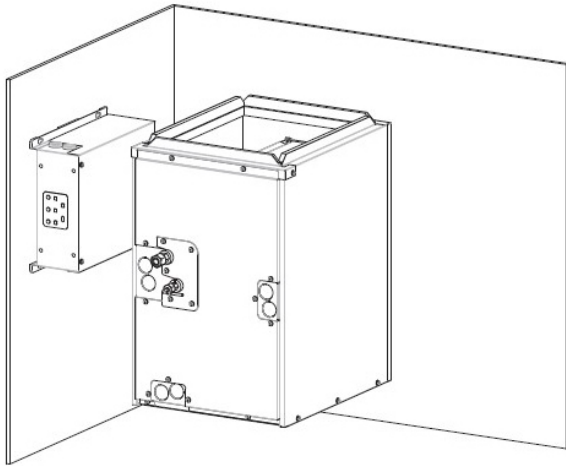
## 14.2. Boîtier de commande - installation externe



### NOTE

Le montage de la boîte de commande sur un mur fixé près de l'armoire est une méthode de montage acceptable.

Si la boîte de commande doit être installée sur un autre emplacement, il incombe à l'installateur de bien fixer la boîte de commande et de s'assurer que tout le câblage entre la boîte de commande et l'armoire atteint et est sécurisé. La distance entre l'armoire et la boîte de commande est limitée par la longueur des câbles de thermistance (environ 3 mètres) qui sont installés sur l'armoire. Veuillez tenir compte de cela lorsque vous localisez la boîte de commande de l'armoire.



## 15. Câblage électrique

### 15.1. Avertissement et mise en garde



#### AVERTISSEMENT

Les travaux d'électricité doivent être effectués par un concessionnaire, un entrepreneur ou un technicien ayant les certifications requises par les lois et les codes conformément aux « Normes d'ingénierie pour l'installation électrique » et aux manuels d'installation fournis. Si le circuit d'alimentation n'a pas une capacité suffisante ou n'est pas bien installé, il pourrait créer un risque d'électrocution ou d'incendie.

- Suivre les exigences des codes locaux et nationaux lors du câblage de l'unité PAA et des unités extérieures et des commandes connectées.
- Installez l'unité de manière à empêcher tout contact direct entre les câbles du circuit de commande (contrôleur à distance, câbles de transmission) et le câble d'alimentation à l'extérieur de l'unité.
- Lorsque vous dimensionnez le fil et effectuez les connexions électriques pendant l'installation, veuillez suivre les codes et normes locaux. Créez des connexions solides, de manière à ce que le poids extérieur du câble n'exerce pas de force sur les bornes.
- Certains câbles (alimentation, contrôleur à distance ou transmission) dans le plafond peuvent être endommagés accidentellement ou par des animaux. Dans la mesure du possible, utilisez des conduits pour prévenir les dommages.
- Ne connectez jamais le câble d'alimentation aux fils des câbles de transmission. Les câbles vont casser.
- Assurez-vous de connecter les câbles de commande à l'appareil intérieur, au contrôleur à distance et à l'unité extérieure.
- Effectuez le câblage conformément aux règlements de sécurité détaillés dans la norme UL 1995.
- Avant l'installation, veuillez vous assurer que la chaudière est correctement mise à la terre.



#### AVERTISSEMENT

Assurez-vous de mettre à la terre l'armoire de l'unité PAA et la boîte de commande. Ne connectez pas le câble de mise à la terre à un tuyau de gaz, tuyau d'eau, parafoudre ou câble de mise à la terre de téléphone. Une mise à la terre incomplète peut entraîner un risque de choc électrique. Si le cordon d'alimentation est endommagé, il doit être remplacé par le fabricant, le personnel d'entretien ou une personne agréée afin d'éviter un risque.



**Caractéristiques des E/S externes****ATTENTION**

Assurez-vous de vous conformer aux exigences suivantes pour toutes les unités et tous les équipements connectés à l'unité PAA. Sinon, l'unité pourrait être endommagée.

- Le câblage doit être recouvert d'un tube d'isolation supplémentaire.
- Utilisez des relais ou des interrupteurs avec une norme CEI ou équivalente.
- La puissance électrique entre les pièces accessibles et le circuit de commande doit être de 2750 V ou plus.

**Câblage**

**Le câblage électrique de l'unité PAA vient de l'appareil extérieur. Veuillez vous reporter aux instructions d'installation de l'appareil extérieur.**

**NOTE**

L'unité PAA ne prend pas en charge les systèmes de chauffage électrique supplémentaires.

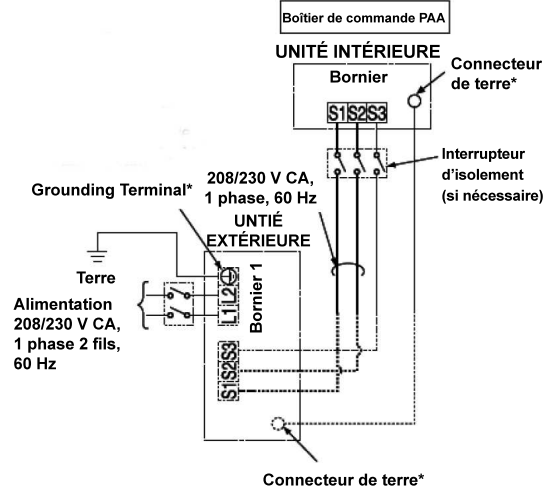
**15.2. Connexion de la tension de ligne****AVERTISSEMENT**

Assurez-vous de respecter les exigences suivantes. Sinon, des résultats tels qu'un choc électrique, un incendie ou une explosion peuvent se produire.

- ASSUREZ-VOUS QUE L'ALIMENTATION EST COUPÉE.
- L'appareil devrait être installé par un entrepreneur/électricien qualifié. Si les codes locaux, provinciaux, d'État et nationaux applicables l'exigent, un interrupteur de déconnexion doit être installé lorsque l'appareil intérieur est alimenté par l'appareil extérieur.
- Le sectionneur doit TOUJOURS être débranché lors de l'installation du système.

**Remarque:**

\* Utiliser une cosse à languette en anneau afin de relier un fil de terre au terminal.



**NOTE**

Tout le câblage doit être conforme aux codes nationaux, provinciaux et locaux.

**Étape 1:** Retirez l'alvéole défonçable souhaitée sur la boîte de commande.

**Étape 2:** Posez un connecteur de conduit à la boîte de commande et acheminez le câblage comme montré dans le schéma ci-dessus. Assurez-vous que le trou de raccordement du conduit est hermétique et calfeutrez-le, au besoin.

**Étape 3:** Serrez solidement toutes les vis du bornier. Après le serrage, vérifiez si les fils sont solidement fixés.

## 15.3. Réglages électriques

Tableau des fonctions

Mode	N° mode	Paramètres	N° réglage	Réglage initial	Vérifier
Redémarrage automatique en cas de panne	1	Non activé	1	1	
		Activé	2		
Détection de la température intérieure	2	Moyenne de fonctionnement de l'unité intérieure	1	1	
		Réglé par le contrôleur à distance de l'unité intérieure	2		
		Capteur interne du contrôleur à distance	3		
Tension de puissance	4	240 V (230 V)	1	1	
		220 V (208 V)	2		
Panneau de filtre	7	100 heures	1	3	
		2 500 heures	2		
		Aucun indicateur de signe de filtre	3		
Commande de l'humidificateur	13	Humidificateur non pris en charge (La sortie CN25 est activée si une tension de 12 V CC est appliquée à l'entrée CNF ou s'il y a une demande de protocole IT « CN25 périphérique ON » pertinente via CN105, quel que soit le mode ou les paramètres.)	1	2	
		Humidificateur pris en charge	2		
	16 (s'applique si Mode 13 = 2)	Fonctionnement de chauffage & Thermo ON	1	1	
		Fonctionnement de la chaleur	2		
Ventilateur à 1 ou 2 vitesses	23 <sup>1</sup>	Le signal de sortie de vitesse du ventilateur est G et Y à la chaudière	1 <sup>2</sup>	1	

Mode	N° mode	Paramètres	N° réglage	Réglage initial	Vérifier
		Signaux de sortie de vitesse de ventilateur Y1 et Y2 à la chaudière	2 <sup>3</sup>		

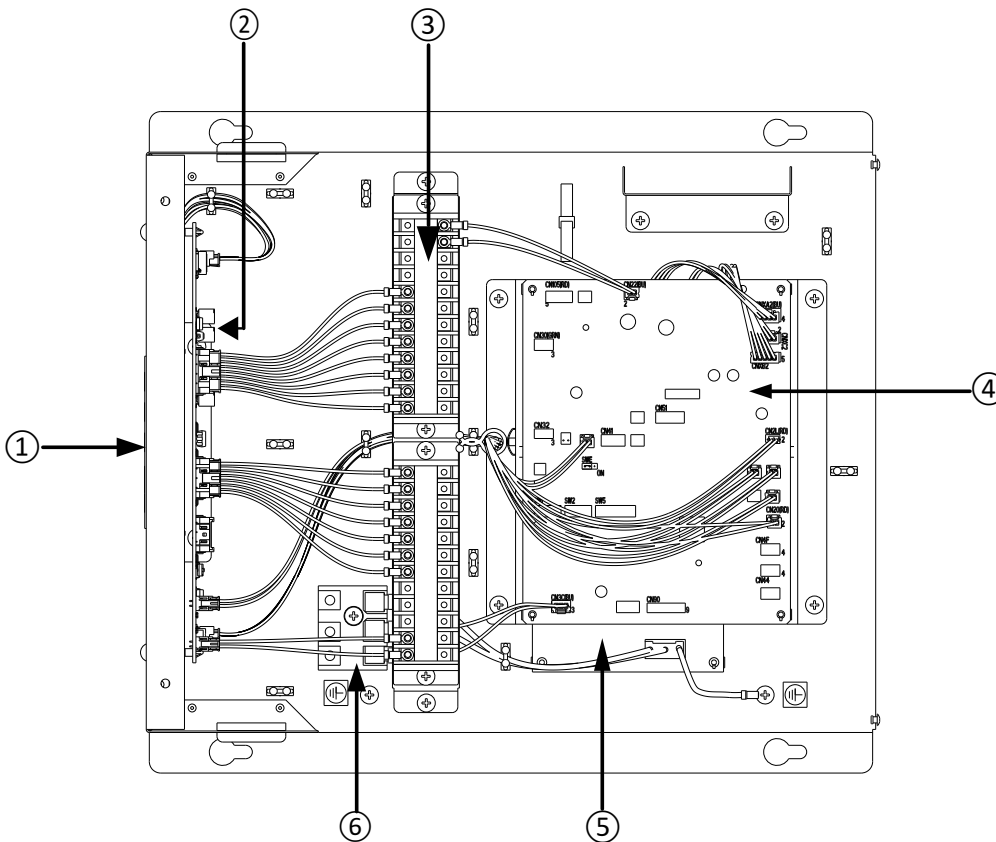
<sup>1</sup> Après avoir modifié le réglage du mode 23, vous devez éteindre et rallumer le système pour qu'il prenne effet de manière fiable.

<sup>2</sup> Si vous vous connectez à une chaudière avec une seule vitesse de ventilateur pour le refroidissement représenté par Y, réglez le mode 23 = 1.

<sup>3</sup> Sur les fournaies qui ont Y1 et Y2, utiliser le mode 2 vitesses (Mode 23=2) utilise deux vitesses de ventilateur pendant le chauffage ou le refroidissement avec la pompe à chaleur. Ces fournaies peuvent également être configurées pour le fonctionnement une vitesse du ventilateur (Mode 23=1) pendant le chauffage et le refroidissement avec la pompe à chaleur qui ne met en marche que G en mode Sec, réduisant la vitesse du ventilateur et éliminant plus d'humidité en mode Sec.

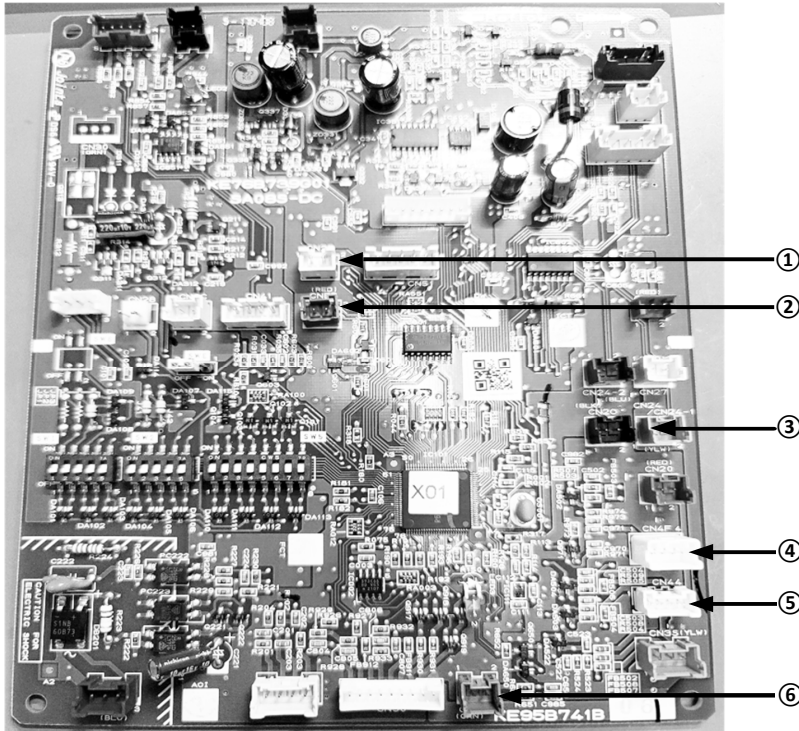
## 15.4. Boîte de commande de l'unité PAA

### Composants de la boîte de commande



- ① Interface utilisateur
- ② Carte de relais
- ③ Borniers
- ④ Panneau de commande
- ⑤ Carte de puissance (sous la carte de commande)
- ⑥ Bornier d'entrée CA

### Connexions installées sur le terrain



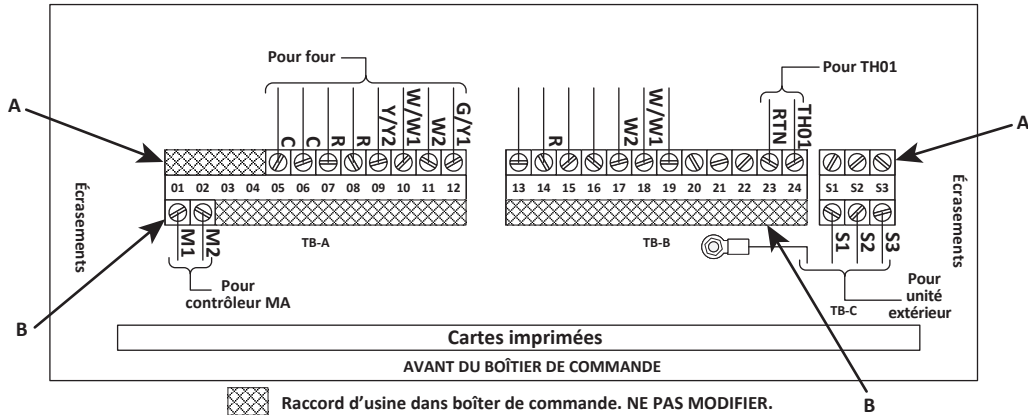
- ① CN25 : Sortie de l'humidificateur (couleur du connecteur : blanc)
- ② CNER : Entrée ERV (couleur du connecteur : rouge)
- ③ CN2C : Sortie ERV (couleur du connecteur : noir)
- ④ CN4F : interrupteur à flotteur (couleur du connecteur : blanc)
- ⑤ CN44 : Températures des tuyaux TH02 et TH05 (couleur du connecteur : blanc)
- ⑥ CNF : Entrée de l'humidificateur (couleur du connecteur : vert)



#### NOTE

L'interrupteur à flotteur peut être utilisé dans n'importe quelle orientation d'armoire, mais il est expressément requis dans l'orientation verticale.

**Goupilles du bornier (sortie)**



Gou pille	Signal	Gou pille	Signal
1B	Bus de communication MA M1. Couleur du fil: bleu	13A	Inutilisé
2B	Bus de communication MA M2. Couleur du fil: blanc	14A	Signal R à thermostat non réglable (NAT) (24 V c.a. chaud) Couleur du fil: rouge
3 A/B	Inutilisé	15A	Inutilisé
4 A/B	Inutilisé	16A	Inutilisé
5A	Signal C à la chaudière (retour 24 V c.a.). Couleur du fil : bleu clair, cyan ou noir	17A	Signal W2 à la connexion optionnelle à NAT (peut être connecté à W1 pour activer les deux niveaux de la chaudière lorsque la NAT le demande) (deuxième étape de chauffage). Couleur du fil : brun
6A	Signal C à la chaudière (retour 24 V c.a.). Couleur du fil : bleu clair, cyan ou noir	18A	Signal W1 à NAT (première phase de chauffage). Couleur du fil : blanc
7A	Signal R à la chaudière (24 V CA chaud). Couleur du fil : rouge	19A	Inutilisé
8A	Signal R à la chaudière (24 V CA chaud). Couleur du fil : rouge	20 A/B	Inutilisé
9A	Signal Y/Y2 au signal Y (couleur du fil : jaune) de la chaudière sur le ventilateur à 1 vitesse ou au signal Y2 (couleur du fil : bleu) de la chaudière sur le ventilateur à 2 vitesses.	21 A/B	Inutilisé

FRANÇAIS

<b>Gou pille</b>	<b>Signal</b>	<b>Gou pille</b>	<b>Signal</b>
10A	Signal W1 à la chaudière (première phase de chauffage). Couleur du fil : blanc	22 A/B	Inutilisé
11A	Signal W2 à la chaudière (première phase de chauffage). Couleur du fil : brun	23A	RTN (capteur de température de l'air de retour). Couleur du fil : blanc
12A	Signal G/Y1 au signal G (couleur du fil : verte) de la chaudière sur le ventilateur à 1 vitesse ou au signal G et Y1 (couleur du fil : jaune) de la chaudière sur le ventilateur à 2 vitesses.	24A	capteur de température de l'air de retour TH01). Couleur du fil : noir

<b>Lignes allant de l'unité extérieure à l'unité intérieure</b>	<b>Description</b>
Borne S1	Ligne d'entrée d'alimentation principale pour l'unité intérieure depuis l'unité extérieure.
Borne S2	Ligne de retour ou neutre de l'unité intérieure depuis l'unité extérieure.
Borne S3	Bus de communication entre l'unité extérieure et l'unité intérieure.

## 15.5. Signaux de commande vers la chaudière

Les signaux de commande vers la chaudière sont les signaux de commande de thermostat standard R, C, W1, W2, Y/Y2 et G/Y1.

Ligne/ Terminal/ Signal	Utilisation
R	Fournit une alimentation 24V CA de la chaudière à la carte de relais et un nombre limité de dispositifs connectés à la carte de relais (plage de tension d'entrée CA. requise : 23 V <sub>RMS</sub> à 30 V <sub>RMS</sub> ).
C	Le fil commun 24V CA entre la chaudière et la carte de relais.
W1	Première phase de la ligne de commande de la chaudière de la carte de relais à la chaudière.
W2	Deuxième phase de la ligne de commande de la chaudière de la carte de relais à la chaudière. W2 ne peut pas être ACTIVÉ à moins que W1 soit déjà ACTIVÉ.
G/Y1	Pour une configuration à 1 vitesse (Mode 23 = 1), connectez ce signal à G de la chaudière. Pour une configuration 2 vitesses (Mode 23=2), connectez ce signal à G et à Y1 de la chaudière. Le signal G/Y1 est alimenté en mode refroidissement, sec, chauffage ou ventilateur chaque fois que le ventilateur est mis en marche. Ce signal est également alimenté, tel que configuré, en coordination avec l'humidificateur et ERV/HRV.
Y/Y2	Pour une configuration à 1 vitesse (Mode 23 = 1), connectez ce signal au raccord Y de la chaudière. Dans cette configuration, le signal Y/Y2 s'allume lorsque le ventilateur est demandé en mode Refroidissement ou Chauffage à l'aide de la thermopompe. Pour une configuration à 2 vitesses (Mode 23 = 2), connectez ce signal à Y2 de la chaudière. Dans cette configuration, le signal Y/Y2 s'active comme suit : <ul style="list-style-type: none"> <li>• En mode ventilateur, en mode refroidissement ou chauffage avec pompe à chaleur lorsque le ventilateur à haute vitesse est demandé.</li> <li>• Dans le ventilateur automatique<sup>1</sup> et en mode Refroidissement, le signal passe à haute vitesse lorsque la différence entre la température ambiante et la température de consigne est supérieure ou égale à 2° C. Le signal revient à la vitesse basse lorsque la différence de température est inférieure à 1° C.</li> <li>• Dans le mode Ventilateur automatique<sup>1</sup> et le mode Chaleur avec pompe à chaleur, le signal passe à haute vitesse lorsque la différence entre la température ambiante et la température de consigne est supérieure ou égale à 1° C pendant 3 minutes. Le signal revient à la vitesse basse lorsque la différence de température est inférieure ou égale à 0,5° C.</li> </ul>

<sup>1</sup> Nécessite un PUZ/PUY

Pour fonctionner avec l'unité PAA, les chaudières doivent avoir quatre connexions minimales : R, C, W et G.



- Sur les chaudières qui n'ont qu'un W et qui n'ont pas de W2, connectez W1 du bornier à W de la chaudière et n'effectuez aucune connexion avec le fil de signal W2.
- Sur les chaudières qui n'ont pas de Y, configurer pour un mode à 1 vitesse et ne pas connecter avec le fil de signal Y/Y2. Sur les fournaies qui ont Y (mais pas Y2), configurez le mode à 1 vitesse et connectez G/Y1 à G de la chaudière et Y/Y2 à Y de la chaudière.
- Sur les fournaies qui ont Y1 et Y2, utiliser le mode 2 vitesses utilise deux vitesses de ventilateur pendant le chauffage ou le refroidissement avec la pompe à chaleur. Ces fournaies peuvent également être configurées pour le fonctionnement une vitesse du ventilateur, qui ne met en marche que G en mode Sec, réduisant la vitesse du ventilateur et éliminant plus d'humidité en mode Sec. Pour configurer en mode 1 vitesse, réglez le mode 23=1 et connectez G/Y1 à G de la fournaie et Y/Y2 à Y1 et Y2 de la fournaie. Pour configurer en mode 2 vitesses, réglez le mode 23=2 et connecter G/Y1 à G et Y1 de la fournaie et Y/Y2 à Y2 de la fournaie.

De plus :

- Les fils de thermistance TH02 et TH05 du serpent de bobine IDU doivent être branchés au connecteur CN44 sur le tableau de commande.
- Les fils de la thermistance TH01 doivent être connectés aux connexions 23A et 24A sur le bornier dans la boîte de commande de l'unité PAA.

(Voir les images « Connecteurs installés sur le terrain » et « Broches de bloc de terminaison (sortie) » dans la section « Boîte de commande de l'unité PAA ».)



### AVERTISSEMENT

**Assurez-vous de respecter les exigences suivantes. Sinon, des résultats tels qu'un choc électrique, un incendie ou une explosion peuvent se produire.**

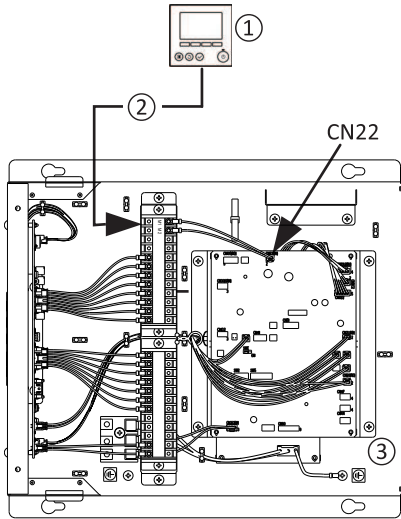
- **Raccorder tous les fils inutilisés avec des capuchons de connexion individuels pour éviter les courts-circuits accidentels.**
- **Ne connectez pas les lignes inutilisées ensemble ou à quoi que ce soit.**

## 15.6. Options de contrôle de l'unité PAA

- Contrôleur à distance MA
- Options de connexion de terminal informatique

### 15.6.1. Contrôleur à distance MA

La carte de commande de l'unité PAA peut être contrôlée par un contrôleur à distance MA (non polarisé à 2 fils) connecté au bus MA. Connectez les fils blanc et bleu du contrôleur à distance aux connexions 1B et 2B sur le bornier dans la boîte de commande.



- ① Contrôleur à distance MA
- ② Bus MA (CN22 : port de communication du bus MA)
- ③ Boîte de commande de l'unité PAA



#### ATTENTION

Assurez-vous que le câblage n'est pas pincé lors de l'installation du couvercle de la boîte de commande. Le pincement du câblage peut le couper ou provoquer un court-circuit accidentel.



#### ATTENTION

Installez le câblage de manière à ce qu'il ne soit pas serré ni soumis à une tension physique. Le câblage soumis à une tension physique pourrait se briser ou surchauffer et brûler. Fixez le câblage de l'alimentation au boîtier de commande à l'aide d'un passe-fil ou d'une force de tension minimale. (Connexion PG ou similaire.) Raccordez le câblage de transmission au bornier de transmission à travers la débouchure du boîtier de commande en utilisant un passe-fil ordinaire.



#### ATTENTION

Installez le câblage de manière à ce qu'il ne touche pas la carte ou les pièces environnantes. Le câblage qui touche les pièces environnantes peut être coupé par un fonctionnement à long terme.

**AVERTISSEMENT**

Utilisez uniquement un disjoncteur et un fusible ayant les capacités appropriées. L'utilisation d'un fusible, de fils ou de fils de cuivre ayant une capacité trop élevée pourrait créer un risque de dysfonction ou d'incendie.

Lorsque le câblage est terminé, vérifiez à nouveau que les connexions ne présentent pas de jeu, puis fixez le couvercle sur le boîtier de commande dans l'ordre inverse de la dépose. Calfeutrez également toutes les ouvertures pratiquées dans l'appareil de traitement de l'air pour passer des fils. Cela empêchera les fuites d'air.

**AVERTISSEMENT**

Câblez la source d'alimentation de manière à n'imposer aucune tension. Autrement, il pourrait s'ensuivre une déconnexion, une surchauffe ou un incendie.

**IMPORTANT**

Fixez la mise à la terre du blindage sur la borne de terre de l'appareil extérieur.

Si le câble du contrôleur à distance dépasse 10 m [32 pi], utilisez un câble de 1,25 mm<sup>2</sup> [AWG16] de diamètre au-dessus de la portion dépassée et ajoutez cette position dépassée à moins de 200 m [656 pi] du contrôleur à distance.

**15.6.2. Options de connexion de terminal informatique**

Au lieu d'un contrôleur à distance MA, la carte de commande de l'unité PAA peut également être contrôlée par l'une des commandes suivantes connectées au terminal informatique via CN105 :

- Application kumo cloud® via Wireless Interface 2 (PAC-USWHS002-WF-2)
- Contrôleur MHK2
- Combinaison de l'application en kumo cloud et de Wireless Interface 2 (PAC-USWHS002-WF-2) avec le contrôleur MHK2

**NOTE**

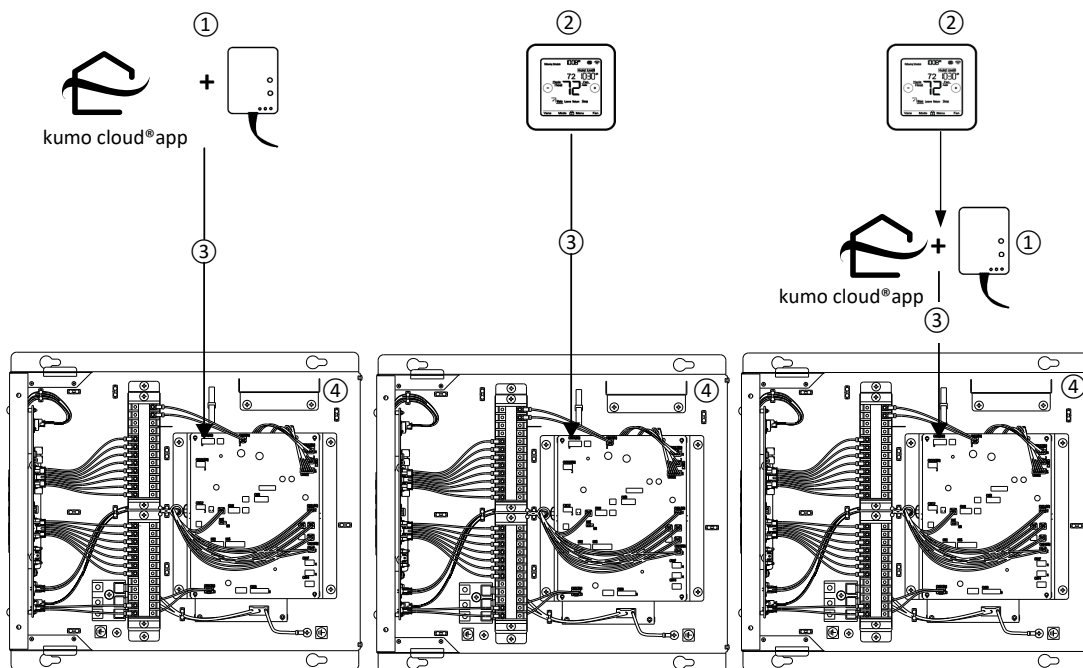
L'unité PAA est compatible avec l'application kumo cloud® version 2.10 et ultérieure.

**IMPORTANT**

- Soyez prudent lorsque vous installez la Wireless Interface. Assurez-vous qu'elle se trouve à l'extérieur de la boîte de commande et loin des surfaces métalliques qui pourraient nuire à la capacité de l'interface à communiquer avec le routeur sans fil local.
- Le système est conçu pour intégrer entièrement le contrôle de la chaleur de la pompe à chaleur et de la chaleur de la chaudière, et ne permet pas un contrôle séparé par l'utilisateur de la chaleur de la pompe à chaleur ou de la chaudière.

**NOTE**

Avant d'installer ou d'entretenir le système, coupez toujours l'alimentation principale du système.



- ① Application en kumo cloud + Wireless Interface 2
- ② Contrôleurs MHK2
- ③ Terminaux informatiques (CN105 : port de communication du terminal TI)
- ④ Boîte de commande de l'unité PAA

## 15.7. Commutateur DIP pour thermostat d'urgence

À l'aide des réglages SW01 du commutateur DIP sur la carte de relais, vous pouvez sélectionner l'un des deux modes, Test ou Urgence, pour fonctionner.

Si le commutateur DIP SW01-4 est réglé sur ON, l'unité PAA passe en mode Test. En mode Test, l'installateur peut utiliser les boutons-poussoirs de l'interface utilisateur de la boîte de commande pour régler W1 et W2 à ON ou OFF. Voir l'image « Interface utilisateur de la boîte de commande » ci-dessous.



### AVERTISSEMENT

Pour assurer un fonctionnement adéquat et sécuritaire de l'appareil, ne quittez pas la maison pendant que le mode Test est en marche. Sinon, des résultats tels qu'un choc électrique, un incendie ou une explosion peuvent se produire.

Vous pouvez configurer l'état initial (ACTIVÉ ou DÉSACTIVÉ) des signaux de chauffage W1 et W2 en mode Test. L'activation du commutateur DIP SW01-2 active le signal d'essai W1 dès que la chaudière est sous tension. Sinon, le signal de test W1 sera ÉTEINT.

L'activation du commutateur DIP SW01-3 active le signal d'essai W2 dès que la chaudière est sous tension. Sinon, le signal d'essai W2 sera ÉTEINT.

Étapes pour vérifier le fonctionnement de la chaudière en mode Test :

**Étape 1:** Éteignez le système s'il ne l'est pas déjà

**Étape 2:** Attendez 3 minutes; vous êtes ainsi sûr que l'unité est complètement hors tension.

**Étape 3:** Activez SW01-4 pour le mode Test.

**Étape 4:** Mettez le disjoncteur de la chaudière en MARCHE. Assurez-vous que le disjoncteur de système de l'unité extérieure est en ARRÊT. Vous êtes maintenant en mode Test. Vérifiez que l'indicateur de mode Test (couleur rouge) sur l'interface utilisateur de la boîte de commande est allumé.

**Étape 5:** Appuyez sur W1 ON sur l'interface utilisateur de la boîte de commande pour activer la première étape du chauffage de la chaudière. Vérifiez que le ventilateur de la chaudière s'allume avec la chaleur de la chaudière.

**Étape 6:** Appuyez sur W2 ON sur l'interface utilisateur de la boîte de commande pour activer la deuxième étape du chauffage de la chaudière. Vérifiez que la sortie de la chaudière augmente. Ceci est applicable uniquement aux chaudières avec deux étages. La chaudière à étage unique ne montre aucune différence.

**Étape 7:** Mettez la chaudière hors tension.

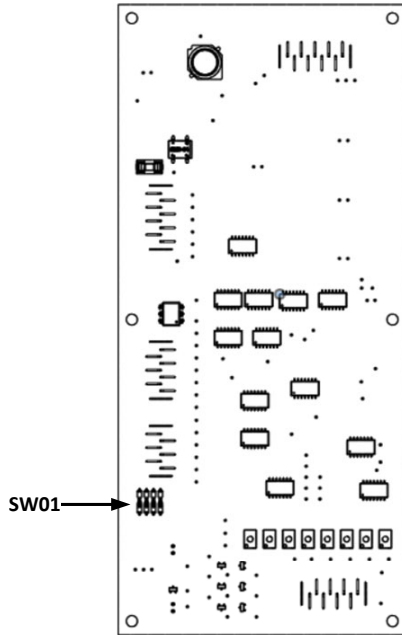
**Étape 8:** Réglez SW01-4 sur OFF pour désactiver le mode Test.



## NOTE

- Le système de l'unité PAA passe en mode d'urgence si l'alimentation est toujours appliquée à la chaudière et (a) l'unité extérieure perd son alimentation ou (b) il y a un état d'erreur qui ne permet pas un contrôle complet du système. L'unité PAA demeure en mode d'urgence tant que l'alimentation n'est pas rétablie sur l'unité extérieure ou que l'erreur n'est pas résolue.
- Si le commutateur DIP SW01-4 est réglé sur OFF, la NAT connectée à la boîte de commande de l'unité PAA contrôle la chaleur appliquée à la chaudière pendant un basculement en mode d'urgence.

### Réglages des commutateurs DIP SW01 de la carte de relais



#### Alimentation SW01-1 du thermostat non réglable

- **ACTIVÉ** (par défaut) : L'alimentation de la chaudière est fournie à la NAT.
- **DÉSACTIVÉ** : L'alimentation de la chaudière à la traduction d'adresse réseau (NAT) est déconnectée

#### État initial SW01-2 W1 en mode Test

- **ACTIVÉ** : W1 est initialement activé en mode Test.
- **DÉSACTIVÉ** (par défaut) : W1 est initialement désactivé en mode Test.



## AVERTISSEMENT

Si SW01-2 et SW01-4 sont réglés sur **MARCHE**, la chaudière commencera à chauffer immédiatement en cas de perte d'alimentation de l'appareil extérieur.

Par conséquent, pendant le fonctionnement ou l'entretien de la chaudière à gaz, assurez-vous de mettre l'appareil extérieur sous tension avant de mettre la chaudière sous tension. Inversement, lors de la mise hors tension du système, la chaudière doit être mise hors tension avant de mettre l'appareil extérieur hors tension. Si l'appareil n'est pas utilisé correctement, il peut entraîner une fuite de gaz, un incendie ou une explosion en raison d'un fonctionnement inattendu de la chaudière à gaz.

#### SW01-3 W2 état initial en mode Test

- **ACTIVÉ** : W2 est initialement activé en mode Test.
- **DÉSACTIVÉ** (par défaut) : W2 est initialement désactivé en mode Test.



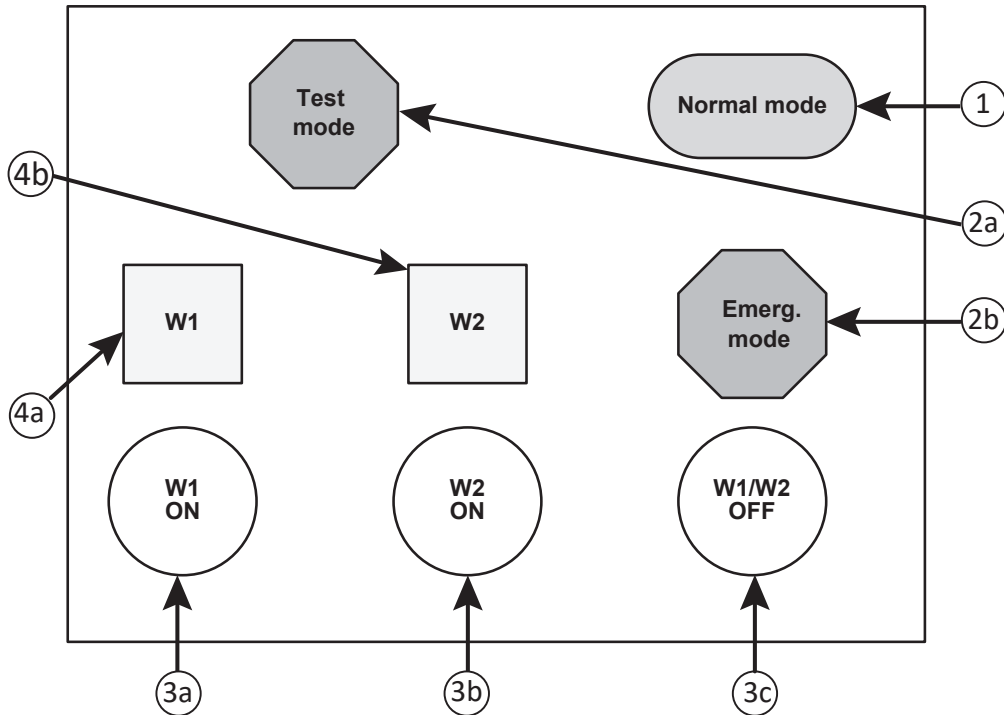
#### **NOTE**

Pour activer W2, W1 doit être activé. Sinon, W2 ne fonctionnera pas.

#### Fonctionnement en mode SW01-4

- **ACTIVÉ** : Fonctionnement en mode test, contrôlé par des boutons-poussoirs sur l'interface utilisateur de la boîte de commande de l'unité PAA.
- **DÉSACTIVÉ** (par défaut) : Fonctionnement en mode d'urgence, contrôlé par la NAT.

## Interface utilisateur de la boîte de commande



1. Mode normal (couleur de l'indicateur : vert). Lorsqu'il est allumé, cela signifie que le système fonctionne normalement.

2a. Mode test (couleur de l'indicateur : rouge) - réglage de l'installateur seulement.

2b. Mode d'urgence (couleur de l'indicateur : rouge). S'il est allumé, cela signifie que le système est en mode erreur. Si nécessaire, consultez un concessionnaire, un entrepreneur ou un technicien ayant les certifications requises par les lois et les codes.

3a. W1 ON - paramètres d'installateur seulement.

Bouton-poussoir de mode de test (non allumé, couleur du bouton : blanc)

3b. W2 ON - paramètres d'installateur seulement.

Bouton-poussoir de mode de test (non allumé, couleur du bouton : blanc)

3c. W1 et W2 OFF - paramètres d'installateur seulement.

Bouton-poussoir de mode de test (non allumé, couleur du bouton : blanc)

4a. Chauffage de première phase (mode d'urgence) (couleur de l'indicateur : ambre) - réglages de l'installateur seulement.

4b. Chauffage de deuxième phase (mode d'urgence) (couleur de l'indicateur : ambre) - paramètres de l'installateur seulement.



### IMPORTANT

**Assurez-vous de revenir au mode de fonctionnement normal une fois les vérifications de fonctionnement en mode test terminées!**





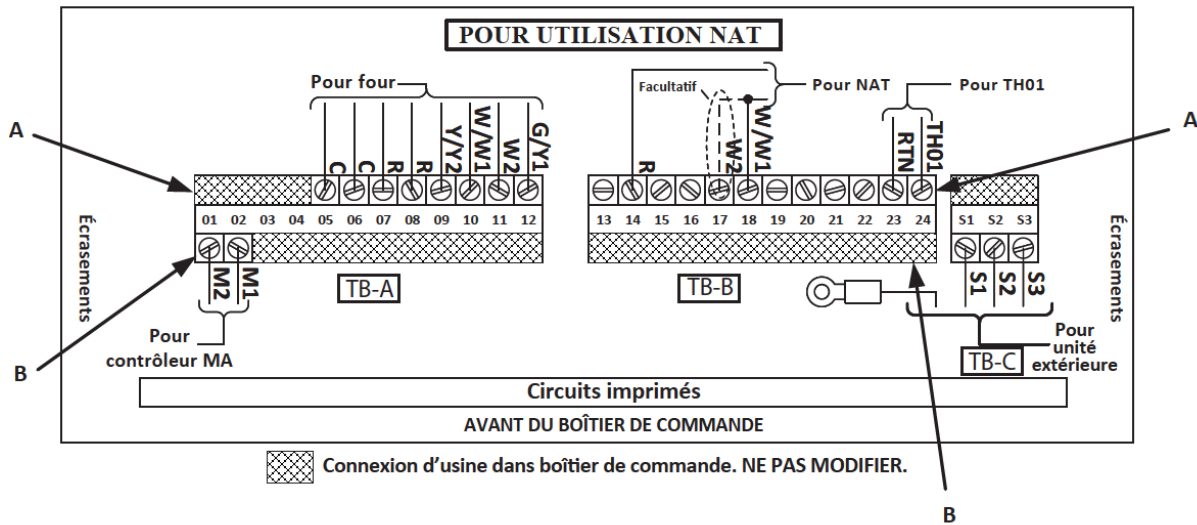
**NOTE**

- Les modes Test et Urgence ne peuvent pas se produire en même temps.
- Pour activer W2, W1 doit être activé.

Le thermostat non réglable (NAT), un thermostat de type construction inclus dans le sac d'accessoires, doit être utilisé comme thermostat d'urgence.

Installez la NAT dans le conduit de retour d'air à côté de la thermistance TH1 et connectez la NAT entre R et W1 sur la boîte de commande. Pour que W1 et W2 s'allument lorsque le thermostat d'urgence demande de la chaleur, connectez les W1 et W2 ensemble d'un côté de la NAT et de la R de son autre côté.

**Raccord de thermostat non réglable (urgence)**



FRANÇAIS

**15.8. Points d'équilibre**

L'unité PAA bascule automatiquement entre le chauffage de la pompe à chaleur et le chauffage de la chaudière en fonction des paramètres de configuration et des données opérationnelles.

L'unité prend en charge deux points de consigne de température extérieure (point d'équilibre économique et point d'équilibre de capacité) qui déterminent la méthode de chauffage la plus efficace.

**15.8.1. Point d'équilibre économique**

Le point d'équilibre économique correspond à la température extérieure au-dessus de laquelle il est plus efficace de chauffer avec la thermopompe et en dessous de laquelle il est plus efficace de chauffer avec la chaudière.

Le point d'équilibre économique idéal (à l'aide d'un contrôleur à distance) dépendra du coût du combustible fossile utilisé pour la chaudière, de l'efficacité de la chaudière, du coût de l'électricité et de l'efficacité de la thermopompe pour le chauffage en fonction de diverses températures extérieures.

Pour configurer le point d'équilibre économique à l'aide du contrôleur MA, de l'application kumo cloud® et des contrôleurs MHK2, veuillez consulter les manuels respectifs.

Utilisez les réglages Mode 8 et Mode 10 pour sélectionner le point d'équilibre économique que l'unité PAA utilisera. Le mode peut être appelé code de fonction de l'unité intérieure dans une autre documentation. Veuillez consulter le manuel du produit des commandes pour plus d'informations.

Réglages de l'unité			Unité extérieure (Température de l'air extérieur prolongée) (voir la section Point de solde étendu ci-dessous)
Mode 8	Mode 10	Point d'équilibre	
1	1	-13° C (9° F)	-24° C (-11° F)
1	2	-10° C (14° F)	-13° C (9° F)
2	1	Chaudière seulement	Chaudière seulement
2	2	-7° C (19° F)	-10° C (14° F)
3	1	-3° C (27° F)	-3° C (27° F)
3	2	0° C (32° F) (par défaut)	0° C (32° F) (par défaut)



#### NOTE

Lorsque l'unité PAA est connectée à une unité de refroidissement seulement, configurez le mode 8 et le mode 10 pour le chauffage du Four seulement.

Sous le point d'équilibre économique, seule la chaudière est utilisée pour le chauffage. Au-dessus du point d'équilibre économique, la thermopompe ou la chaudière est utilisée pour le chauffage.

Dans les climats froids où l'unité PAA peut être dimensionnée pour la charge de refroidissement plutôt que pour la charge de chauffage, le système peut ne pas avoir la capacité de chauffer l'espace même à des températures supérieures au point d'équilibre économique.

#### 15.8.2. Point d'équilibre de capacité

Lorsque l'unité PAA est utilisée pour la première fois et que la température de l'air extérieur est supérieure au point d'équilibre économique, le kit tente d'abord de chauffer l'espace avec la thermopompe.

Si le kit n'est pas en mesure de chauffer l'espace (probablement en raison d'une capacité de chauffage insuffisante à la température extérieure actuelle), l'unité enregistre la température extérieure actuelle comme point d'équilibre de capacité et passe au chauffage avec la chaudière.

Lors d'appels de chaleur subséquents, si la température extérieure est inférieure au point d'équilibre de capacité ou au point d'équilibre économique, alors seule la chaudière est utilisée pour le chauffage. Si la température de l'air extérieur est supérieure au point d'équilibre économique et au point d'équilibre de capacité, le kit tente d'abord de chauffer l'espace avec la thermopompe.

Le point d'équilibre de la capacité est réduit progressivement, périodiquement, jusqu'à ce que la valeur du point d'équilibre économique soit égale.

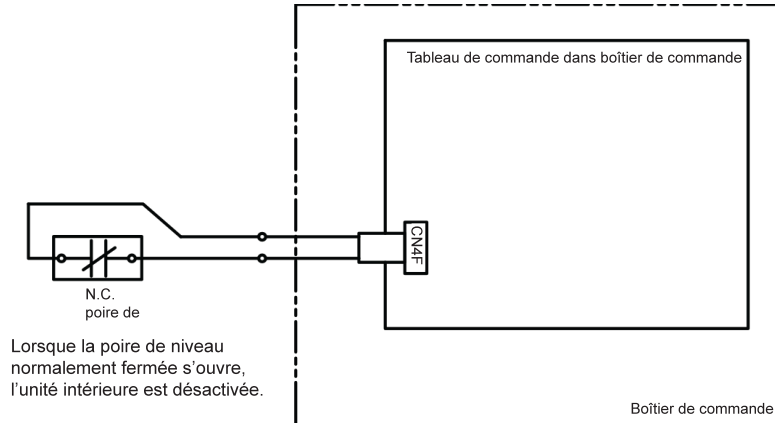
Si le mode 25 = 2 et le mode 27 = 2 (qui sont les réglages initiaux recommandés), l'unité PAA éteint le ventilateur en mode thermique.

### 15.8.3. Point de solde étendu

Certaines unités extérieures peuvent avoir la capacité de signaler des températures extérieures plus basses, en dessous de  $-15^{\circ}\text{C}$  ( $5^{\circ}\text{F}$ ). Pour plus d'informations sur la capacité du point d'équilibre étendu de l'appareil extérieur, consultez le manuel de l'appareil extérieur respectif. Le micrologiciel de l'unité PAA (intérieur) détecte automatiquement si l'unité extérieure connectée a cette capacité et ajuste la signification du mode 8 et du mode 10 en conséquence (\* voir « Température de l'air extérieur-à-l'unité extérieure » dans le tableau de la section « Point d'équilibre économique » ci-dessus).

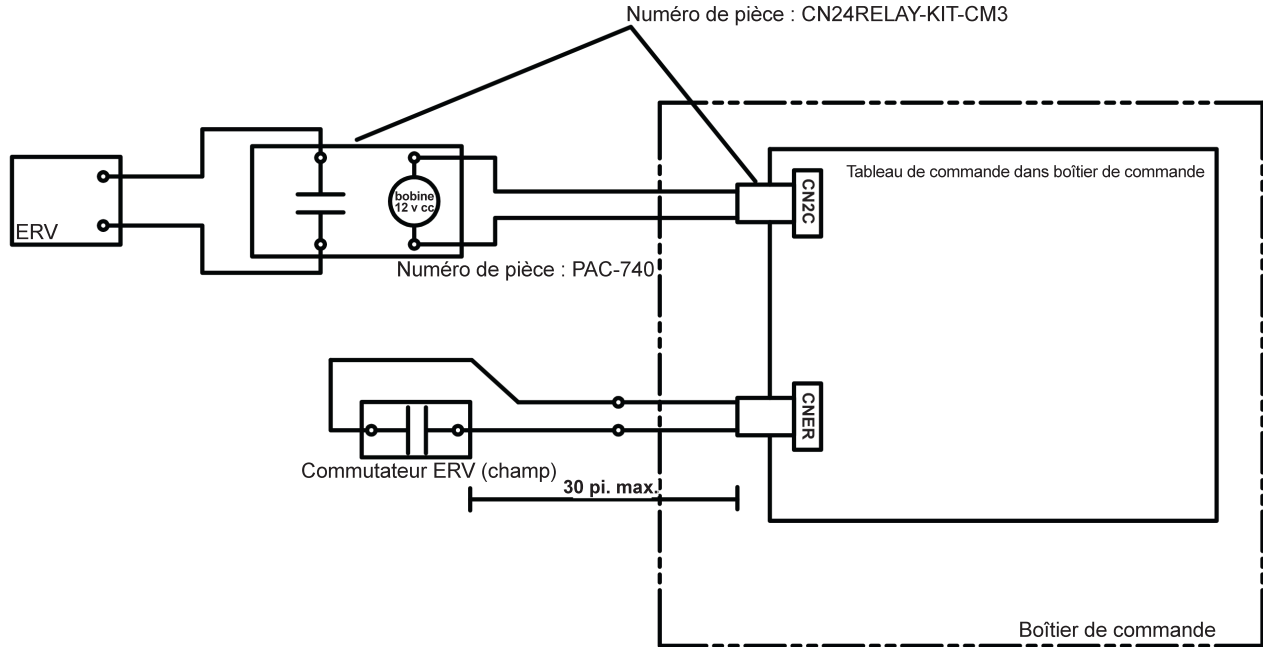
## 15.9. Connexion de l'interrupteur de sécurité de trop-plein du condensat (CN4F)

L'unité PAA est équipée d'un interrupteur de détection de trop-plein de bac de vidange et d'un faisceau de câbles pour le connecteur CN4F. Le faisceau de fils et l'interrupteur doivent être installés avant d'utiliser l'appareil. Sinon, l'appareil signale une erreur et le mode refroidissement ne fonctionnera pas. L'interrupteur est normalement un interrupteur fermé qui se connecte aux deux fils provenant du connecteur CN4F fourni avec l'unité PAA. Si l'interrupteur est ouvert, l'appareil ne fonctionne plus en mode refroidissement ou sec. Reportez-vous à l'installation ci-dessous :



Souvent, une pompe de condensat est utilisée pour pomper le condensat de l'unité PAA vers un drain installé à une élévation plus élevée que l'unité PAA. De nombreuses pompes de condensat sont dotées d'un interrupteur de trop-plein qui détecte si le réservoir est sur le point de déborder pour une raison quelconque. En général, ces interrupteurs de trop-plein sont normalement des interrupteurs qui doivent être câblés en série avec le détecteur de trop-plein du bac de vidange comme illustré ci-dessus.

## 15.10. Ventilation de récupération d'énergie (ERV)



### Interrupteur ERV

- Entrée de contact a sans tension
- Tension nominale du contact  $\geq 15$  V CC
- Courant nominal du contact  $\geq 0,1$  A
- Charge minimale applicable  $\leq 1$  mA à CC

Sortie ERV	État	Ventilateur de chaudière (fonctionnement prévu)	Sortie CN2C (sortie de ventilateur de la chaudière attendue)
<b>Entrée CNER</b>			
DÉSACTIVÉ	Fonctionnement de refroidissement/ chauffage/ventilateur	ACTIVÉ <sup>1 2</sup>	ACTIVÉ
	Décongélation	ARRÊT	DÉSACTIVÉ
	ARRÊT	ARRÊT	DÉSACTIVÉ
ACTIVÉ	Fonctionnement de refroidissement/ chauffage/ventilateur	ACTIVÉ <sup>1</sup>	ACTIVÉ
	Décongélation	ARRÊT	DÉSACTIVÉ
	ARRÊT	ACTIVÉ <sup>1</sup>	ACTIVÉ

<sup>1</sup> Le signal G/Y1 à la chaudière est alimenté pour mettre en marche le ventilateur de la chaudière. Si l'application kumo cloud® est utilisée et configurée pour faire fonctionner une vitesse de ventilateur de deuxième phase, le signal Y/Y2 est également sous tension.

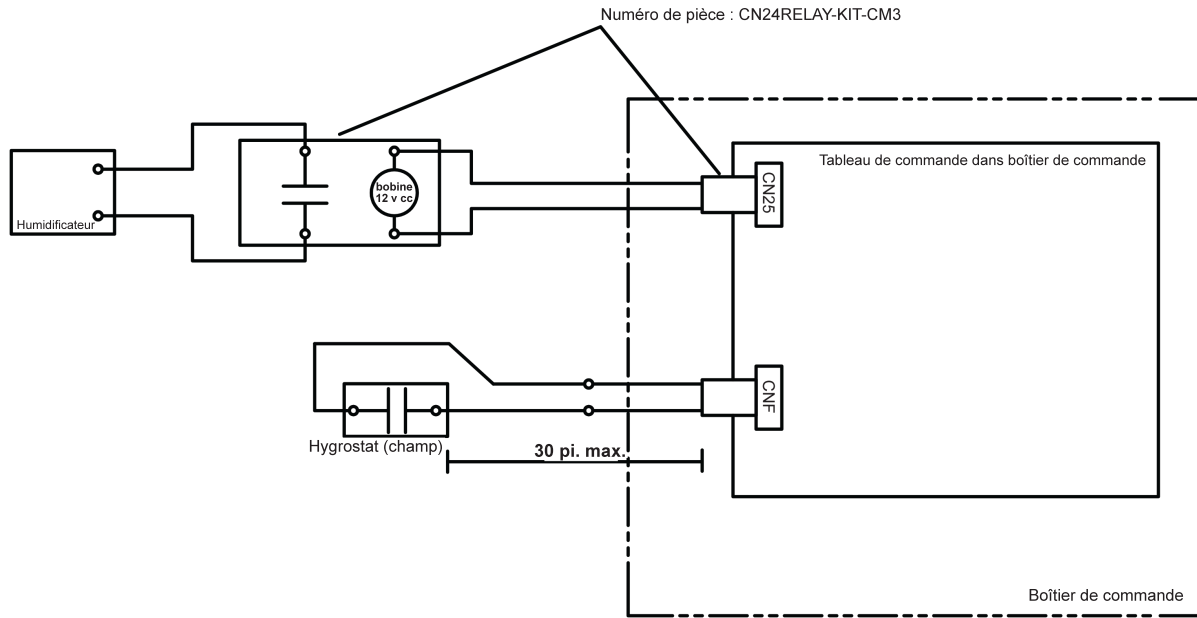
<sup>2</sup> Il est recommandé de régler les modes 25 et 27 sur 2 pour que le ventilateur intérieur s'arrête lorsque la température définie est atteinte. Sinon CN2C déclenchera la mise sous tension de l'ERV 24h/24 7j/7.

### 15.10.1. Réchauffement HRV/ERV pour système MXZ

Lorsque vous utilisez un HRV/ERV, veuillez prêter une attention appropriée lorsqu'il fonctionne en mode chauffage.

Modèle	Description
MXZ-3C24/3C30/4C36/5C42NA3 MXZ-3C24/3C30NAHZ3	Lorsque le ventilateur de la chaudière transfère de l'air pour le fonctionnement HRV/ERV, l'unité peut fournir de l'air chaud dans l'espace occupé même si le mode thermo est désactivé.
MXZ-SM36/42/60NAM MXZ-SM36/42/48NAMHZ	

## 15.11. Humidificateur



### Commande de l'humidificateur

Séquence de fonctionnement:

1. L'hygrostat ferme la FNC.
2. Le ventilateur de la chaudière s'allume.
3. Le CN25 fournit 12 V CC pour allumer l'humidificateur (ne pas dépasser 1 watt par relais).
4. Lorsque l'hygrostat ouvre la CNF, le ventilateur de la chaudière continue de fonctionner pendant 30 secondes pour éliminer l'air humide du conduit.
5. Si le dégivrage démarre pendant le fonctionnement de l'humidificateur, le CN25 est désactivé.

### Hygrostat

- Entrée de contact a sans tension
- Tension nominale du contact  $\geq 15$  V CC
- Courant nominal du contact  $\geq 0,1$  A
- Charge minimale applicable  $\leq 1$  mA à cc

N° de mode	N° de réglage	Paramètres
13	1	Humidificateur non pris en charge (La sortie CN25 est activée si l'entrée CNF a une tension de 12 V CC appliquée ou s'il y a une demande de protocole TI « CN25 périphérique ON » pertinente via CN105, quel(s) que soit/soient le mode ou les paramètres)
	2	Humidificateur pris en charge
16 (s'applique si le mode n° 13 Réglage n°= 2)	1	Voir le tableau Mode 16 ci-dessous.
	2	Voir le tableau Mode 16 ci-dessous.

Numéro de mode 16	Entrée CNF hygrostat)	État (Aucun dégivrage/ Aucune erreur)	Sortie CN25	Fournaise Ventilateur
1 <sup>1</sup>	DÉSACTIVÉ	Fonctionnement de chauffage & Thermo OFF	DÉSACTIVÉ	DÉSACTIVÉ <sup>2</sup>
		Fonctionnement de chauffage & Thermo ON		
	ACTIVÉ	Fonctionnement de chauffage & Thermo OFF	DÉSACTIVÉ	DÉSACTIVÉ <sup>2</sup>
		Fonctionnement de chauffage & Thermo ON	ACTIVÉ	ACTIVÉ <sup>2</sup>
2	DÉSACTIVÉ	Fonctionnement de chauffage & Thermo OFF	DÉSACTIVÉ	DÉSACTIVÉ <sup>2</sup>
		Fonctionnement de chauffage & Thermo ON		
	ACTIVÉ	Fonctionnement de chauffage & Thermo OFF	ACTIVÉ	ACTIVÉ <sup>2</sup>
		Fonctionnement de chauffage & Thermo ON		

<sup>1</sup> Réglage d'usine

<sup>2</sup> Le signal G/Y1 à la chaudière est alimenté pour mettre en marche le ventilateur de la chaudière. Si l'application kumo cloud<sup>®</sup> est utilisée et configurée pour faire fonctionner une vitesse de ventilateur de deuxième phase, le signal Y/Y2 est également sous tension.



## NOTE

- La sortie de l'humidificateur ne fonctionnera qu'en mode chauffage.
- Mode 25 réglé sur 1 = ventilateur de fournaise activé, lorsque le thermo est DÉSACTIVÉ. Mode 25 réglé sur 2 = ventilateur de fournaise désactivé, lorsque le thermo est DÉSACTIVÉ.

## 16. Test

### 16.1. Avant le test

Après avoir terminé l'installation, le câblage et la plomberie des appareils intérieur et extérieur, vérifiez s'il y a des fuites de frigorigène, des câbles d'alimentation ou de commande mal serrés, des erreurs de polarité et la déconnexion d'une phase de l'alimentation. Utilisez un mégohmmètre de 500 volts pour vérifier si la résistance entre les bornes de l'alimentation et de la mise à la terre est d'au moins 1,0 MΩ. N'effectuez pas cet essai sur les bornes du câblage de commande (circuit à basse tension).



#### AVERTISSEMENT

Si SW01-2 et SW01-4 sont réglés sur MARCHE, la chaudière commencera à chauffer immédiatement en cas de perte d'alimentation de l'appareil extérieur. Par conséquent, pendant le fonctionnement ou l'entretien de la chaudière à gaz, assurez-vous de mettre l'appareil extérieur sous tension avant de mettre la chaudière sous tension. Inversement, lors de la mise hors tension du système, la chaudière doit être mise hors tension avant de mettre l'appareil extérieur hors tension. Si l'appareil n'est pas utilisé correctement, il peut entraîner une fuite de gaz, un empoisonnement, un incendie ou une explosion en raison d'un fonctionnement inattendu de la chaudière à gaz.



#### AVERTISSEMENT

N'utilisez pas le climatiseur si la résistance d'isolement est inférieure à 1,0 MΩ. Sinon, des résultats tels qu'un choc électrique, un incendie ou une explosion peuvent se produire.

Ouvrez les soupapes d'arrêt en isolant l'unité PAA de l'appareil extérieur avant de commencer l'utilisation pour éviter que le tuyau de frigorigène n'éclate pendant que la chaudière fonctionne.

Après l'installation ou après une interruption de l'alimentation pour une période prolongée, la résistance d'isolement baissera sous 1 MΩ en raison de l'accumulation de frigorigène dans le compresseur. Cela n'est pas une défaillance. Exécutez les procédures suivantes.

1. Retirez les fils du compresseur et mesurez la résistance d'isolement du compresseur.
2. Si la résistance d'isolement est inférieure à 1 MΩ, le compresseur est défectueux ou la résistance a chuté en raison de l'accumulation de réfrigérant dans le compresseur.
3. Après avoir connecté les fils au compresseur, le compresseur commencera à se réchauffer lorsque l'alimentation est appliquée. Après avoir activé l'alimentation pour les périodes indiquées ci-dessous, mesurez à nouveau la résistance d'isolement.
  - La résistance d'isolement chute en raison de l'accumulation de frigorigène dans le compresseur. La résistance augmente au-dessus de 1 MΩ après que le compresseur s'est réchauffé de deux à trois heures. (Le temps de réchauffement du compresseur nécessaire varie selon les conditions atmosphériques et l'accumulation de frigorigène.)



- Pour faire fonctionner le compresseur avec du frigorigène accumulé dans le compresseur, le compresseur doit être réchauffé pendant au moins 12 heures pour éviter toute défaillance.
4. Si la résistance d'isolation dépasse 1 MΩ, le compresseur n'est pas défectueux.



## ATTENTION

- Le compresseur ne fonctionnera pas à moins que la connexion de phase de l'alimentation électrique soit correcte.
- Mettez l'appareil sous tension au moins 12 heures avant de commencer à l'utiliser. – La mise en marche immédiatement après la mise en circuit de l'interrupteur principal peut mener à de graves dommages aux composantes internes. Gardez l'interrupteur d'alimentation allumé pendant la saison de fonctionnement.

## 16.2. Test

Reportez-vous au manuel d'installation fourni avec chaque contrôleur à distance pour plus de détails.

## 16.3. Auto test

Reportez-vous au manuel d'installation fourni avec chaque contrôleur à distance pour plus de détails.

Contrôleur IR et RF non pris en charge.

[Schéma sortie A] Erreurs détectées par l'appareil intérieur		
Télécommande câblée Code de contrôle		Symptôme
P1	5101	Erreur du capteur d'admission
P2, P9	5102, 5105	Erreur de capteur de tuyau (liquide ou biphasé)
E6, E7	6840	Erreur de communication de l'unité intérieure/extérieure
P4	2502	Erreur du capteur de vidange
P5	5701	Erreur de pompe de vidange
P6	1501	Fonctionnement de la protection contre le gel et la surchauffe
EE	-	Erreur de communication entre les unités intérieures et extérieures
P8	1503	Erreur de température du tuyau
E4	6834	Erreur de réception du signal du contrôleur à distance
Fb	4109	Erreur du système de commande de l'unité intérieure (erreur de mémoire, etc.)

[Type de sortie B] Erreurs détectées par une unité autre que l'unité intérieure (unité extérieure, etc.)	
Code de contrôle	Symptôme
E9	Erreur de communication de l'unité intérieure/extérieure (erreur de transmission) (unité extérieure)
VERS LE HAUT	Interruption de surintensité du compresseur
U3, U4	Thermistances ouvertes/courtes de l'unité extérieure
UF	Interruption de surintensité du compresseur (lorsque le compresseur est verrouillé)
U2	Température de décharge anormalement élevée/49C actif/Fil frigorigène insuffisant
U1, Ud	Pression élevée anormale (63H de fonctionnement)/fonctionnement de protection contre la surchauffe
U5	Température anormale du dissipateur thermique
U8	Arrêt de protection du ventilateur de l'unité
U6	Interruption de surintensité du compresseur/Anomalie du module de puissance
U7	Anomalies de la chaleur intense en raison d'une basse température de décharge
U9, UH	Anomalies telles qu'une surtension ou un court-circuit de tension et un signal anormal et synchrone au circuit principal/une erreur du capteur de courant
autres	Autres erreurs (voir le manuel technique de l'appareil extérieur.)

- Sur le contrôleur à distance câblé, vérifiez le code affiché sur l'écran ACL.
- Si l'appareil ne peut pas être utilisé correctement après l'exécution de l'essai ci-dessus, consultez le tableau suivant pour rechercher la cause.

Symptôme			Cause
Télécommande câblée		DEL 1, 2 (PCB dans l'appareil extérieur)	
VEUILLEZ PATIENTER	Pendant environ 2 minutes après la mise sous tension	Après que les DEL 1 et 2 sont allumées, la DEL 2 s'éteint, puis seulement la DEL 1 reste allumée. (Fonctionnement correct)	– Pendant environ 2 minutes après la mise sous tension, le fonctionnement du contrôleur à distance n'est pas possible en raison du démarrage du système. (Fonctionnement correct)
VEUILLEZ PATIENTER le code d'erreur	Environ 2 minutes après la mise sous tension	Seulement la DEL 1 est allumée. → DEL 1, 2 clignent.	– Le connecteur du dispositif de protection de l'appareil extérieur n'est pas connecté. – Câblage de phase inversé ou ouvert pour les borniers d'alimentation de l'appareil extérieur (L1, L2, L3)

Symptôme		Cause
Télécommande câblée	DEL 1, 2 (PCB dans l'appareil extérieur)	
Les messages affichés n'apparaissent pas même lorsque l'interrupteur de fonctionnement est en position ACTIVÉ (le voyant de fonctionnement ne s'allume pas).	Environ 2 minutes après la mise sous tension	<ul style="list-style-type: none"> <li>– Câblage incorrect entre les unités intérieures et extérieures (polarité incorrecte de S1, S2, S3)</li> <li>– Court-circuit du fil du contrôleur à distance</li> </ul>

**NOTE**

Le fonctionnement est impossible pendant environ 30 secondes après l'annulation de la sélection de fonction. (Fonctionnement correct)

Pour une description de chaque DEL (DEL1, 2, 3) fournie sur le contrôleur intérieur, consultez le tableau suivant.

DEL 1 (alimentation pour micro-ordinateur)	Indique si l'alimentation de commande est présente. Assurez-vous que cette DEL est toujours allumée.
DEL 2 (alimentation pour le contrôleur à distance)	Indique si l'alimentation du contrôleur à distance est présente. Cette DEL s'allume seulement si l'appareil intérieur est connecté à l'adresse « 0 » du frigorigène de l'appareil extérieur.
DEL 3 (communication entre les unités intérieures et extérieures)	Indique l'état des communications entre les appareils intérieur et extérieur. Assurez-vous que cette DEL clignote toujours.

## 16.4. Fonction de redémarrage automatique

### Panneau de commande intérieur

Ce modèle est équipé de la FONCTION REDÉMARRAGE AUTOMATIQUE.

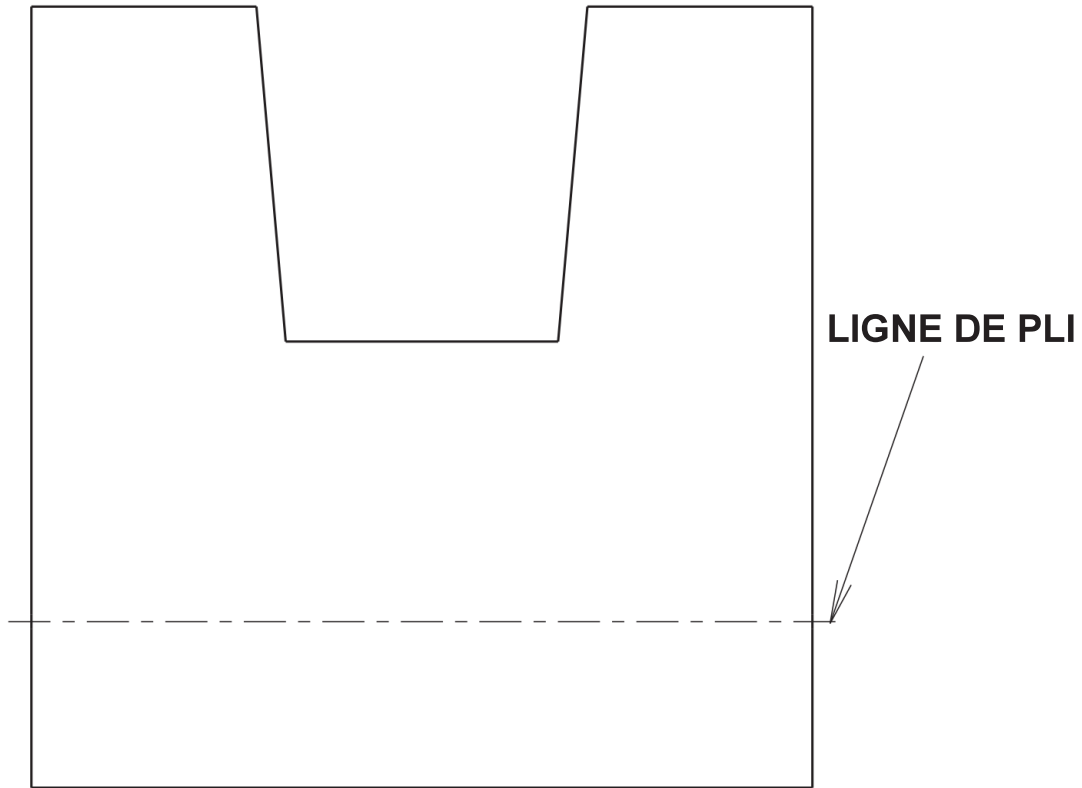
Lorsque l'unité intérieure est commandée par le contrôleur à distance, le mode de fonctionnement, la température réglée et la vitesse du ventilateur sont mémorisés par le panneau de commande intérieur.

La fonction de redémarrage automatique fonctionne après le rétablissement de l'alimentation après une panne de courant. L'unité redémarrera automatiquement environ 4 minutes après le rétablissement de l'alimentation.

Réglez la FONCTION DE REDÉMARRAGE AUTOMATIQUE à l'aide du contrôleur à distance. (N° de mode 01)

## 17. Jauge de coupe

### MODÈLE DE JAUGE DE COUPURE



### MAQUETTE INTÉGRALE

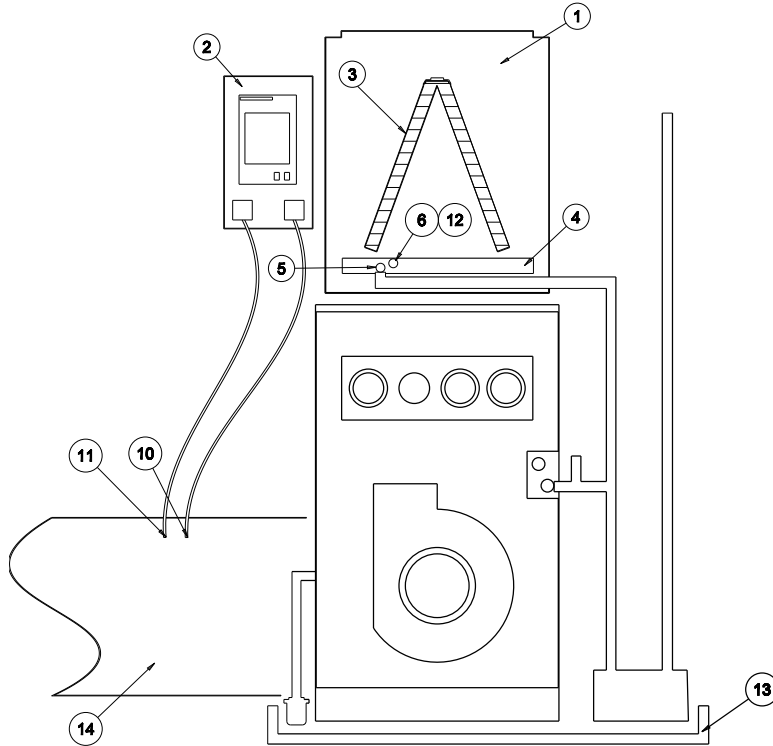
# 1. Advertencia

- Este producto solo debe ser instalado, reparado, mantenido, trasladado, etc. por personal con la capacitación, las calificaciones y las certificaciones adecuadas según las exigencias de las leyes y los códigos.
- La instalación, reparación, servicio, traslado, etc. por parte de personas sin la capacitación, calificaciones y certificaciones adecuadas según lo requerido por las leyes y los códigos, o el incumplimiento de todas las precauciones e instrucciones de seguridad de este manual puede provocar lesiones corporales graves o la muerte.
- Asegúrese de leer este manual detenidamente y siga todas las advertencias, precauciones e instrucciones; si no lo hace, se producirán descargas eléctricas, daños a la propiedad, daños al equipo, asfixia, incendio, humo, explosiones y envenenamiento.

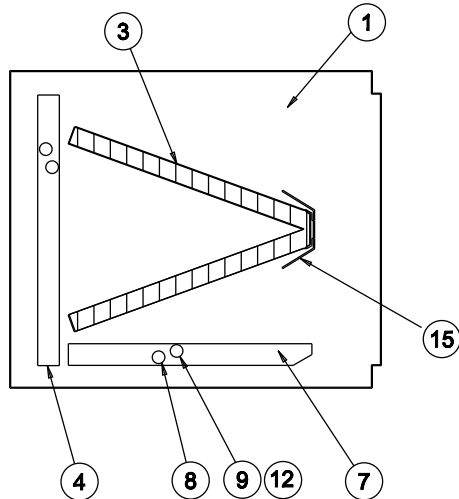
## 2. Introducción al sistema y dimensiones

### 2.1. Introducción al sistema

#### Instalaciones verticales



#### Instalaciones horizontales



1. Gabinete de la unidad PAA
2. Caja de control
3. Intercambiador de calor (hex)
4. Bandeja de drenaje principal
5. Drenaje principal de la bandeja de drenaje principal
6. Drenaje secundario de la bandeja de drenaje principal
7. Bandeja de drenaje lateral (para instalación horizontal)
8. Drenaje principal de la bandeja de drenaje lateral (para instalación horizontal)
9. Drenaje secundario de la bandeja de drenaje lateral (para instalación horizontal)
10. Termistor TH1
11. ACH065 (termostato no ajustable, NAT)
12. Interruptor flotante (instalado en el drenaje secundario)
13. Bandeja de drenaje auxiliar (no incluida con la unidad PAA)
14. Conducto de entrada (no incluido con la unidad PAA)
15. Placa superior (para instalación horizontal)



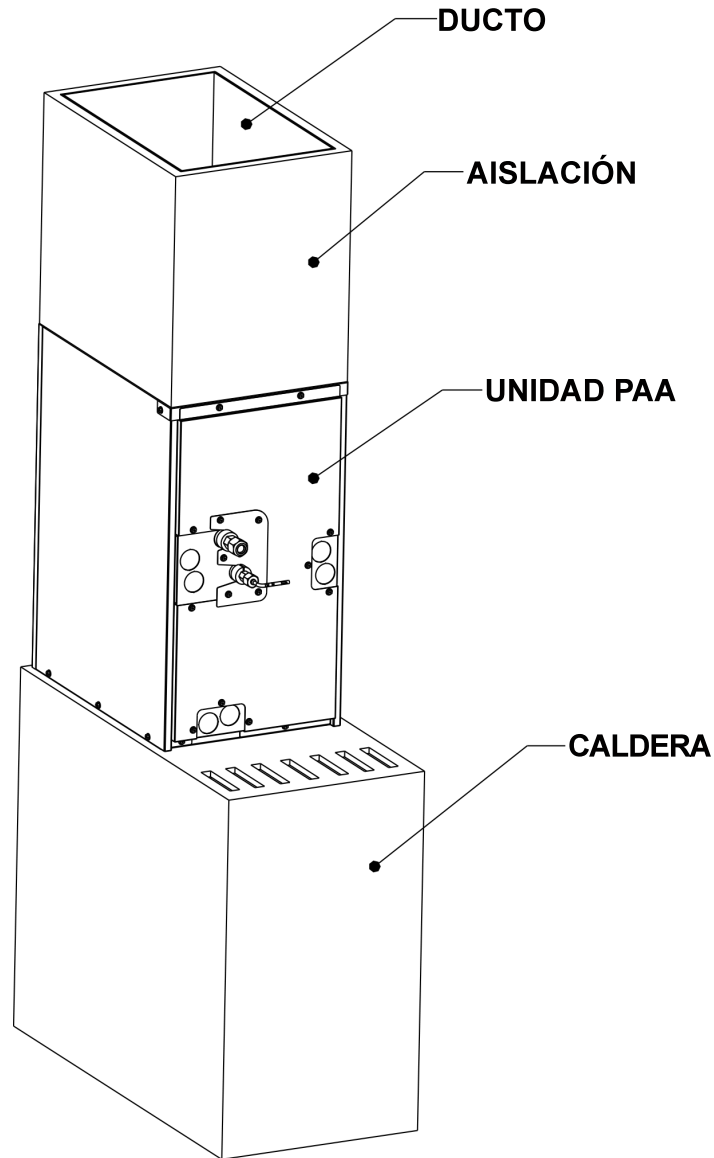
#### NOTA

Los puntos 13 y 14 son solo para referencia y no son proporcionados por Mitsubishi Electric US, Inc.



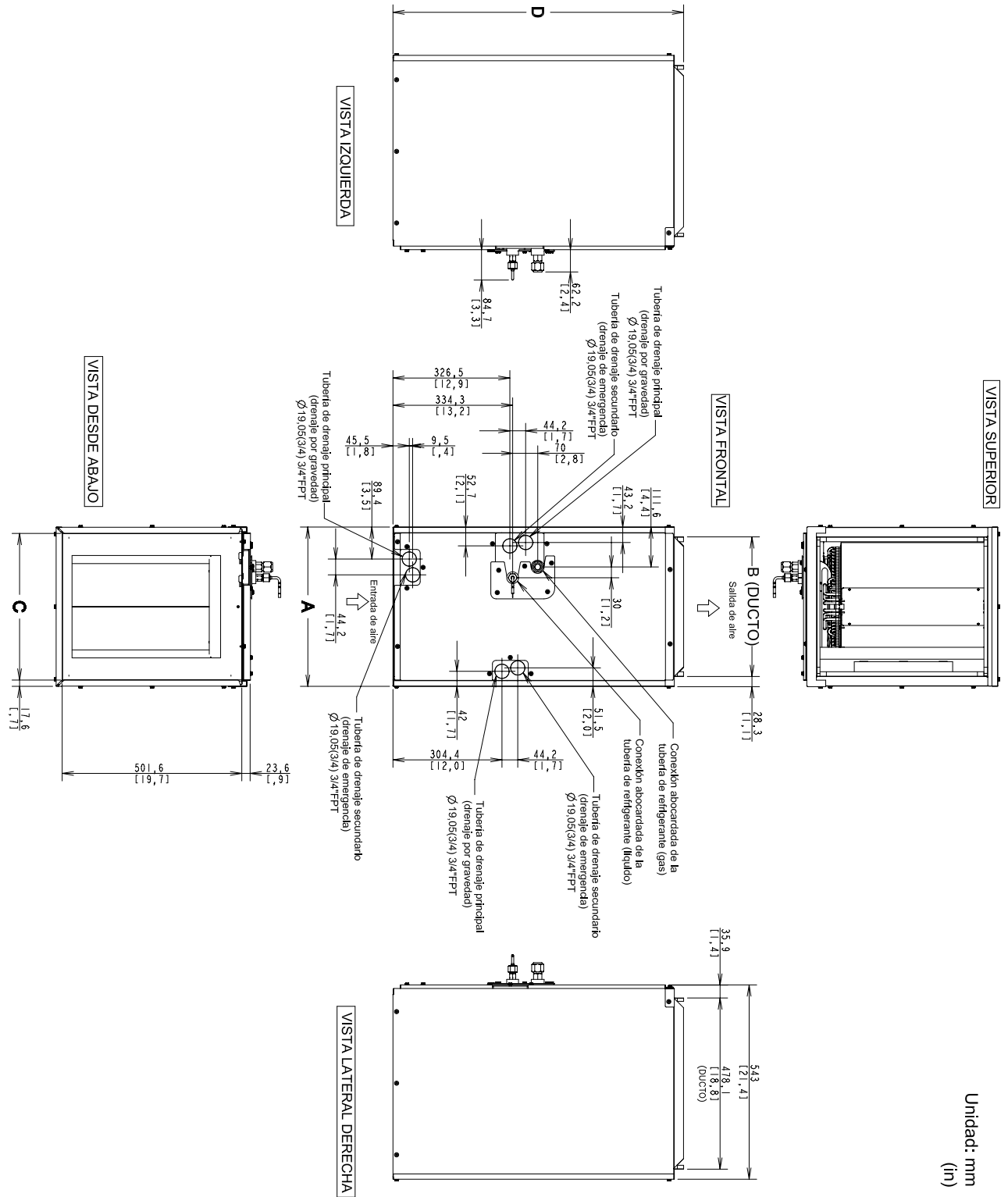
**NOTA**

Para obtener un flujo de aire y un rendimiento adecuado del sistema, solo instale bobinas que coincidan dentro de 1 pulgada del ancho del calentador.



ESPAÑOL

## 2.2. Dimensiones



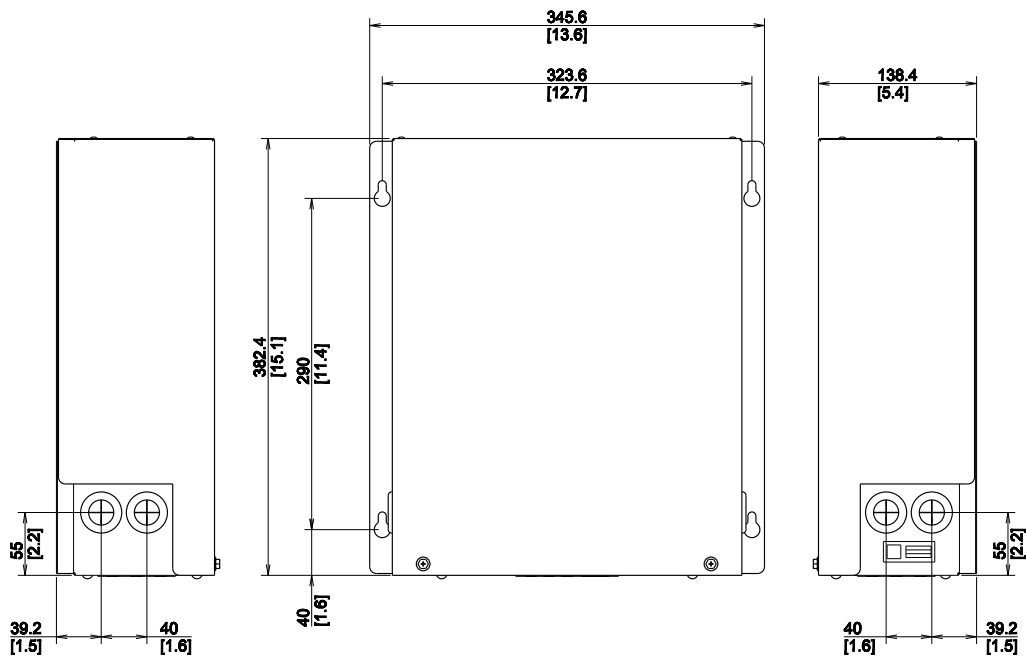
ESPAÑOL



Modelo	A mm (pulgadas)	B mm (pulgadas)	C mm (pulgadas)	D mm (pulgadas)
PAA-A18AA1	368.3 (14-1/2)	313.1 (12-5/16)	332.7 (13-1/16)	697 (27-7/16)
PAA-A18BA1	445.0 (17-1/2)	390.0 (15-5/16)	409.6 (16-1/8)	697 (27-7/16)
PAA-A24AA1	368.3 (14-1/2)	313.1 (12-5/16)	332.7 (13-1/16)	697 (27-7/16)
PAA-A30AA1	368.3 (14-1/2)	313.1 (12-5/16)	332.7 (13-1/16)	697 (27-7/16)
PAA-A24BA1	445.0 (17-1/2)	390 (15-5/16)	409.6 (16-1/8)	697 (27-7/16)
PAA-A30BA1	445.0 (17-1/2)	390 (15-5/16)	409.6 (16-1/8)	697 (27-7/16)
PAA-A36BA1	445.0 (17-1/2)	390 (15-5/16)	409.6 (16-1/8)	811.6 (32)
PAA-A42BA1	445.0 (17-1/2)	390 (15-5/16)	409.6 (16-1/8)	811.6 (32)
PAA-A36CA1	534.6 (21)	479.4 (18-7/8)	499 (19-5/8)	811.6 (32)
PAA-A42CA1	534.6 (21)	479.4 (18-7/8)	499 (19-5/8)	811.6 (32)

ESPAÑOL

Caja de control



### 3. Inspeccionar el envío

Las unidades PAA vienen completamente ensambladas de fábrica y el rendimiento de todos los componentes está probado. Cada unidad consta de una bobina de refrigerante aislada en una caja de fábrica de acero galvanizado, controles en una caja de fábrica de acero galvanizado y accesorios (la lista de artículos incluidos en la bolsa de accesorios se detalla en el capítulo "Accesorios para unidades interiores"). Se proporcionan orificios ciegos para las conexiones del tubo de drenaje en la instalación de orientación horizontal. Verifique la placa de características de la unidad para confirmar que las especificaciones sean las indicadas. Al recibir el equipo, inspecciónelo cuidadosamente para detectar posibles daños. Tenga especial cuidado de examinar la unidad si la caja está dañada. Si se encuentra algún daño, debe anotarlo en la factura de flete del transportista. Las reclamaciones por daños deben presentarse al transportista de inmediato. Las reclamaciones de faltantes deben presentarse al vendedor dentro de los 5 días.

No proceda con la instalación o el funcionamiento de la unidad PAA si hay piezas o componentes dañados. Hacerlo puede ocasionar riesgos de seguridad significativos, incluidas lesiones, al instalador. Consulte la advertencia "Pautas de seguridad" en la sección "Antes de la instalación y el trabajo eléctrico" del capítulo "Precauciones de seguridad" para obtener más información.

## 4. Descargo de responsabilidad

Los datos y la información presentados en este documento se basan en pruebas e información, que consideramos confiables. Este documento se proporciona solo con fines informativos y no constituye una garantía, expresa o implícita, incluida cualquier garantía de comerciabilidad o idoneidad. Las instrucciones, advertencias y precauciones de este manual de instalación no son opcionales y deben seguirse para garantizar el correcto funcionamiento del producto y evitar lesiones o daños a la propiedad. Es responsabilidad del instalador garantizar que el uso y la instalación de este producto cumplan con todos los códigos de construcción nacionales y locales aplicables.

El fabricante no será responsable de ningún daño, estructural o de otro tipo, debido a la falta de cumplimiento de los requisitos de instalación incluidos en este manual.

## 5. Precauciones de seguridad

- Antes de instalar la unidad, asegúrese de leer todas las precauciones de seguridad.
- Asegurarse de seguir todas las precauciones.
- Lea cuidadosamente las etiquetas adheridas a la unidad principal.

Símbolos utilizados en el texto



### AVISO

Describe las precauciones que deben observarse para evitar el peligro de lesiones o la muerte del usuario.



### ATENCIÓN

Describe las precauciones que deben observarse para evitar daños a la unidad.

### 5.1. Antes de la instalación y el trabajo eléctrico



### IMPORTANTE

La Agencia de Protección Ambiental de los Estados Unidos (Environmental Protection Agency of the United States, EPA) y las agencias ambientales provinciales canadienses han emitido diversas regulaciones con respecto a la introducción y eliminación de refrigerantes. El incumplimiento de estas reglamentaciones puede dañar el medio ambiente y dar lugar a la imposición de multas sustanciales.



### NOTA

La instalación de la unidad está regulada por el código mecánico adoptado por la autoridad competente.



## AVISO

### Riesgos relacionados con la instalación de la unidad PAA

- La unidad PAA debe ser instalada por un distribuidor, contratista o técnico que cuente con las certificaciones requeridas por las leyes y los códigos.
  - La instalación incorrecta por parte del instalador puede provocar lesiones o daños a la unidad, como fugas de agua, descargas eléctricas o incendios.
- Instale la unidad interior en un lugar que pueda soportar su peso.
  - La fuerza inadecuada puede provocar la caída de la unidad, lo que puede provocar lesiones.
- Esté preparado en caso de tifones, huracanes, terremotos, etc., e instale la unidad en el lugar especificado.
  - Una instalación incorrecta puede hacer que la unidad se derrumbe y provocar lesiones.
- Prohíba que cualquier persona que no cuente con las calificaciones adecuadas realice reparaciones. Si se debe reparar la unidad PAA, consulte a un distribuidor, contratista o técnico que cuente con las certificaciones requeridas por las leyes y los códigos.
  - Si la unidad de PAA se repara de manera incorrecta, se pueden producir pérdidas de agua, descargas eléctricas o incendios.
- Instale la unidad PAA de acuerdo con este manual de instalación.
  - Si la unidad se instala de manera incorrecta, se pueden producir pérdidas de agua, descargas eléctricas o incendios.
- Asegúrese de que el panel de cubierta de la unidad exterior esté instalado correctamente. Consulte el manual de la unidad exterior para instalarlo adecuadamente.
  - Si el panel de la cubierta del terminal no se instalan correctamente, el polvo o el agua pueden ingresar a la unidad exterior, lo que podría provocar un incendio o una descarga eléctrica al usuario.
- Asegúrese de que las válvulas de cierre de la unidad exterior se abran inmediatamente después de conectar la unidad PAA a la unidad exterior.
  - La unidad PAA o las tuberías de refrigerante pueden estallar debido al refrigerante de alta presión durante la operación de calefacción del calentador.
- Si la unidad de PAA es instalada de forma incorrecta (bandeja de drenaje de este producto) o se olvida de instalar el interruptor flotante, el agua condensada del intercambiador de calor PAA se desviará de la ruta especificada y puede hacer que el agua se filtre hacia el intercambiador de calor del calentador de gas. Con el tiempo, esto puede causar pérdidas de gas, aceite y agua en el calentador debido a la corrosión. Ello puede resultar en envenenamiento, incendio, explosión, pérdidas de agua y daños corporales y a la propiedad.
- Cuando la unidad de PAA (este producto) se suspende desde el techo en un garaje o un área ocupada, con el tiempo, el producto puede caerse debido a la fuerza insuficiente de la suspensión o el soporte, o al deterioro, etc., ocasionando lesiones corporales y daños a la propiedad. En algunos casos, puede provocar la muerte.



## AVISO

### Riesgos eléctricos

- Siga los códigos y estándares locales al dimensionar los cables y completar las conexiones eléctricas durante la instalación.
  - Las conexiones y la sujeción inadecuadas pueden generar calor y provocar un incendio.
- Asegúrese que todo el trabajo eléctrico sea realizado por un electricista debidamente calificado en el estado donde se realiza el trabajo eléctrico, de acuerdo con el “Código Eléctrico Nacional” y los códigos eléctricos locales, las “Normas sobre cables interiores” y las instrucciones proporcionadas en este manual de instalación. Siempre utilice un circuito dedicado.
  - Si la capacidad de la fuente de energía es inadecuada o el trabajo eléctrico se realiza de manera incorrecta, se pueden producir descargas eléctricas o incendios.
- Mantenga las partes eléctricas lejos del agua.
  - Podría provocar descargas eléctricas, incendios o humo.
- No reconstruya ni cambie la configuración de los dispositivos de protección.
  - Si el interruptor de presión, el interruptor térmico, el interruptor flotante u otros dispositivos de protección están en cortocircuito y son operados a la fuerza, o si se utilizan piezas distintas de las especificadas por Mitsubishi Electric, se pueden producir incendios o explosiones.
- Si el cable de alimentación está dañado, debe ser reemplazado por el personal de servicio del fabricante o por una persona autorizada.
- Asegúrese de conectar a tierra la unidad exterior y de acuerdo con el código local. No conecte el cable de tierra a ninguna tubería de gas, tubería de agua, pararrayos o cable de tierra del teléfono.
  - Una conexión a tierra incompleta puede generar un riesgo de descarga eléctrica.



## AVISO

### Riesgos de fugas de refrigerante

- Si se producen fugas de gas refrigerante durante la instalación, ventile la habitación y no utilice el calentador hasta que un técnico confirme que es seguro utilizarlo.
  - Si el gas refrigerante entra en contacto con una llama, se liberarán gases venenosos. Si se detecta un olor, comuníquese con un distribuidor, contratista o técnico con respecto a las medidas adecuadas a tomar para evitar que se exceda el límite de seguridad.
- Después de completar el trabajo de instalación, asegúrese de que el gas refrigerante no tenga fugas.
  - Si el gas refrigerante tiene fugas y se expone a un ventilador calefactor, estufa, calentador u otra fuente de calor, puede generar gases nocivos.
- No use otro refrigerante que no sea R410A.
  - Hacerlo puede hacer que la unidad o las tuberías exploten, o provocar una explosión durante el uso, la reparación o al momento de desechar la unidad.
  - Si lo hace, también puede estar en violación de las leyes aplicables.
  - El fabricante, Mitsubishi Electric Corporation, sus filiales y proveedores, no pueden ser considerados responsables por las averías o accidentes que resulten del uso de un tipo de refrigerante incorrecto.
- Cuando la válvula de parada de la unidad exterior se deja cerrada después de la instalación/servicio, o cuando la válvula de parada de la unidad exterior se cierra debido a una parada en la operación, el volumen del refrigerante líquido en la tubería de refrigerante se expande debido a la operación de calefacción en el calentador de gas, lo que provoca la ruptura de la bobina o de la tubería de extensión local.



## AVISO

### Riesgos de fuga de combustible

- El combustible y el gas de combustión pueden fluir a la habitación si el conducto de escape tiene fugas, hay un espacio debido a la fijación insuficiente de la pieza de conexión o si se descuida el mantenimiento regular. Como resultado, pueden ocurrir peligros fatales como envenenamiento y explosión por incendio, por lo que se recomienda realizar un mantenimiento regular para verificar lo siguiente:
  - Conductos agrietados
  - Conductos obstruidos
  - Capacidad de escape insuficiente o detención anormal del ventilador de escape del calentador de gas
  - Fuga de gas debido a una falla del intercambiador de calor del calentador de gas (incluida la corrosión debido a un entorno de instalación deficiente)
  - Combustión incompleta debido a una falla en el equipo del calentador de gas (mal funcionamiento/fallo de piezas \*)
    - \* Piezas se refiere a tuberías, válvulas, cableado eléctrico, partes eléctricas/electrónicas, sensores, disyuntores, etc.
  - Cortocircuito o falla de conexión a tierra debido a ignición, seguimiento o aislamiento insuficiente de las piezas del calentador de gas
  - Daños al cableado interno y externo del calentador de gas
  - Deterioro de la resistencia al calor, potencia, resistencia a la corrosión, aislamiento, etc. de los componentes periféricos del calentador de gas
  - Avería del circuito de protección del calentador de gas
  - Componentes eléctricos en busca de interferencia de ruido electromagnético debido al uso normal con el tiempo, falla de piezas y/o instalación de dispositivos eléctricos cercanos
  - Confirmación inadecuada de productos retirados del mercado del año de diseño/fabricación del calentador de gas
  - Mantener un estado de instalación anormal al pasar por alto un error de instalación del calentador de gas o una etiqueta roja
- Si el equipo no se instala, utiliza o mantiene como se describe en el manual de instalación/operación de la unidad PAA, pueden ocurrir los siguientes problemas. En este caso, detenga la operación de inmediato apagando la energía, etc., y pida al distribuidor o contratista una inspección. De lo contrario, las fugas de gas pueden causar envenenamiento, incendio, explosiones, pérdidas de agua, etc., lo que puede ocasionar lesiones corporales graves y daños a la propiedad.
  - Si la instalación o el entorno operativo están fuera del rango de garantía, la caja de control puede funcionar mal y las funciones de protección de la caldera de gas también pueden fallar y desactivarse. El efecto del calor excesivo generado por la caldera de gas puede causar grietas en la sección de la bobina, lo que puede provocar fugas de refrigerante y aceite. Además, envenenamiento, incendios y explosiones pueden ocurrir a partir de esto, lo cual puede causar daños corporales y a la propiedad.





## **AVISO**

### **Pautas de seguridad**

- Siga todos los códigos de seguridad especificados en la región donde se realizará la instalación. Use el equipo de protección adecuado, como gafas de seguridad, ropa protectora y guantes durante el trabajo de instalación, como llenado de refrigerante, uso de llave dinamométrica y transporte de la unidad. Utilice un paño de enfriamiento y tenga un extintor de incendios disponible durante las operaciones de soldadura.
  - El incumplimiento de los requisitos de seguridad puede provocar lesiones o muerte, así como daños al edificio.
- No toque las aletas del intercambiador de calor.
  - La manipulación incorrecta puede provocar lesiones.
- Nunca sustituya piezas o componentes de otros fabricantes al reparar o reemplazar componentes en la unidad PAA. Nunca instale ni opere la unidad PAA si alguna pieza o componente está dañado.



## AVISO

### Pautas de instalación

- Lea este manual detenidamente y siga todas las advertencias y precauciones que se proporcionan junto a esta unidad.  
Consulte el código de construcción local y el Código Eléctrico Nacional (NEC) NFPA 70 más reciente. En Canadá, asegúrese de consultar el último Código Eléctrico Canadiense CSA C22.1. Siga también todos los códigos especificados para su región. Recomendamos instalar un sensor de CO y un sistema de ventilación.
  - El incumplimiento de los requisitos de seguridad puede provocar lesiones o muerte, así como daños al edificio.
- Al mover y reinstalar la unidad PAA, consulte al distribuidor, contratista o técnico para conocer las certificaciones requeridas por las leyes y los códigos.
  - Si el aire acondicionado no está instalado correctamente, se pueden producir pérdidas de agua, descargas eléctricas o incendios.
- Consulte a un distribuidor, contratista o técnico certificado según las exigencias de las leyes y los códigos para la instalación de los accesorios.
  - La instalación incorrecta por parte del usuario puede provocar pérdidas de agua, descargas eléctricas o incendios.
- Preste atención a la ubicación de instalación de la unidad. El refrigerante es más pesado que el aire y los lugares como sótanos o espacios de poca altura donde el refrigerante puede acumularse pueden volverse peligrosos.
  - Una ventilación inadecuada puede provocar intoxicación.
- El aparato no está diseñado para ser utilizado por personas con capacidades físicas, sensoriales o mentales disminuidas, o con falta de experiencia y conocimiento (incluidos los niños), a menos que estén supervisados por una persona responsable por su seguridad o se les haya instruido sobre el uso del aparato.
- **No agregue luces UV en el gabinete de la unidad PAA ni en los conductos conectados.**
  - **Las luces UV pueden degradar las piezas de plástico y aislamiento. Pueden producirse fugas de agua, descargas eléctricas o incendios.**
- Si el calentador de gas no está certificado según las normas de seguridad (ANSI Z21.47/CSA2.3) por una organización de certificación externa reconocida a nivel nacional (AGA, UL, CSA, ETL/Intertek, etc.), o si el calentador de gas no cumple con las Normas y pautas (Código) de la ACCA (Asociación de Contratistas de Aire Acondicionado), NFPA54 (Código Nacional de Gas Combustible), NFPA70 (NEC: Código Eléctrico Nacional), y si el equipo no se instala, utiliza y mantiene de acuerdo con el código de construcción de cada distrito (estatal, condado, ciudad, ciudad, etc.), pueden ocurrir los siguientes peligros, incluso a pesar el correcto diseño, instalación y operación del equipo.
  - Si no se instala un detector de pérdidas en la habitación, existe el riesgo de que se produzcan síntomas de intoxicación, o aun la muerte, sin notar que hay una fuga de gas tóxico.
  - El combustible gas tiene olor, pero si no lo nota, existe el riesgo de que pueda causar síntomas de intoxicación o un accidente, como un incendio o una explosión.
  - Si la seguridad del calentador de gas, las tuberías de suministro de gas y el conducto de escape se ve comprometida debido a una ventilación inadecuada del sistema [la ventilación debe realizarse de acuerdo con las leyes, los estándares o las pautas (códigos)], o debido al deterioro por envejecimiento o a la influencia del entorno

de uso, existe el riesgo de que se produzcan síntomas de intoxicación debido al encendido del gas de combustión o el gas combustible, provocando un incendio o una explosión.



## ATENCIÓN

### Riesgos relacionados con la instalación de la unidad PAA

- Al instalar y reubicar la unidad PAA, no la cargue con un refrigerante diferente del refrigerante especificado en la unidad.
  - Si se mezcla aire o un refrigerante diferente con el refrigerante original, el ciclo del refrigerante puede funcionar mal y la unidad puede dañarse. Utilice únicamente el refrigerante recomendado especificado en el manual de la unidad exterior (outdoor unit, ODU) para el funcionamiento del sistema (SOLO R410A).
- La unidad PAA ha sido diseñada solo para instalación en interiores.
- La unidad PAA debe instalarse en el lado corriente abajo (aire de descarga) del calentador.
- No altere el gabinete ni las soldaduras fuertes al interior del gabinete. Enfríe todas las juntas soldadas con agua o un trapo húmedo para evitar el sobrecalentamiento después de soldar.
  - Puede afectar el rendimiento de la unidad PAA.
- No utilice aditivos de detección de fugas.
  - La mezcla de refrigerante/aditivo puede dañar las piezas de la unidad ODU y PAA.

### Riesgos de fugas de refrigerante

- El instalador (técnico) deberá asegurarse de que no haya fugas de refrigerante, en concordancia con las regulaciones y normas locales.
  - Una fuga de refrigerante afectará el rendimiento de la bomba de calor.

### Pautas de instalación

- Para las conexiones de tuberías de la unidad PAA, utilice la conexión abocardada para la que se diseñó el equipo. Mitsubishi Electric US, Inc. no es responsable de la conexión de soldadura inadecuada realizada por el instalador.
  - Las conexiones de soldadura fuerte inadecuadas pueden dañar la unidad PAA.

## 5.2. Dispositivos que utilizan refrigerante R410A



### ATENCIÓN

#### Pautas de instalación

- No utilice la tubería de refrigerante existente.
  - El refrigerante viejo y el aceite refrigerante en la tubería existente pueden contener una gran cantidad de contaminantes, lo que puede hacer que el aceite refrigerante de la nueva unidad se deteriore.
- Utilice tuberías de refrigerante hechas de cobre desoxidado con fósforo C12200 (Cu-DHP) como se especifica en la norma ASTM B280 para el servicio de campo de tubería de cobre sin costuras para aire acondicionado y refrigeración. Asegúrese de que las superficies internas y externas de las tuberías estén limpias y libres de peligros como azufre, óxidos, polvo/suciedad, partículas, aceites, humedad o cualquier otro contaminante.
  - Los contaminantes al interior de la tubería de refrigerante pueden hacer que el aceite residual del refrigerante se deteriore.
- Almacene al interior la tubería que se utilizará durante la instalación y mantenga ambos extremos de la tubería sellados hasta justo antes de soldar. (Guarde los codos y otras articulaciones en una bolsa de plástico).
  - Si entra polvo, suciedad o agua en el ciclo del refrigerante, el deterioro del aceite provocará un mal funcionamiento del compresor.
- No use un refrigerante que no sea R410A.
  - Si se utiliza cualquier otro refrigerante, los contaminantes en ese refrigerante puede hacer que el aceite refrigerante se deteriore.
  - Dado que el R410A no contiene cloro, los detectores de fugas de gas para refrigerantes convencionales no reaccionarán a él.
- Utilice una bomba de vacío con una válvula de retención de flujo inverso.
  - El aceite de la bomba de vacío puede fluir de regreso al ciclo de refrigerante y hacer que el aceite refrigerante se deteriore.
- No utilice las siguientes herramientas que se utilizan con refrigerantes distintos al R410A:
  - Distribuidor, manguera de carga, detector de fugas de gas, válvula de retención de flujo inverso, base de carga de refrigerante, medidor de vacío, equipo de recuperación de refrigerante.
- No utilice un cilindro de carga.
  - Puede hacer que el refrigerante se deteriore.
- Siempre cargue el refrigerante en estado líquido.
  - Cargar el refrigerante en estado gaseoso cambiará la composición del refrigerante y provocará una caída en el rendimiento.

### 5.3. Antes de comenzar

La unidad PAA es compatible con los sistemas de las series P y M y está disponible en las siguientes combinaciones de modelos.

**Tabla de compatibilidad de la unidad PAA y ODU**

Serie P						
ODU	IDU					Comentario
	PAA-A18AA1 PAA-A18BA1	PAA-A24AA1 PAA-A24BA1	PAA-A30AA1 PAA-A30BA1	PAA-A36BA1 PAA-A36CA1	PAA-A42BA1 PAA-A42CA1	
PUY-A18NKA7						No se permite la conexión
PUY-A24NHA7	✓	✓				
PUY-A30NHA7			✓			
PUY-A36NKA7				✓		
PUY-A42NKA7					✓	
PUZ-A18NKA7						No se permite la conexión
PUZ-A24NHA7	✓	✓				
PUZ-A30NHA7			✓			
PUZ-A36NKA7				✓		
PUZ-A42NKA7					✓	
PUZ-HA24NHA1		✓				
PUZ-HA30NKA			✓			
PUZ-HA36NKA				✓		
PUZ-HA42NKA1						No se permite la conexión

Serie M						
ODU	IDU					Comentario
	PAA-A18AA1 PAA-A18BA1	PAA-A24AA1 PAA-A24BA1	PAA-A30AA1 PAA-A30BA1	PAA-A36BA1 PAA-A36CA1	PAA-A42BA1 PAA-A42CA1	
MXZ-3C24NA3	✓					
MXZ-3C30NA3	✓	✓				
MXZ-4C36NA3	✓	✓				
MXZ-5C42NA3	✓	✓				
MXZ-SM36NAM	✓	✓	✓	✓		
MXZ-SM48NAM	✓	✓	✓	✓		
MXZ-SM60NAM	✓	✓	✓	✓		
MXZ-3C24NAHZ3	✓					
MXZ-3C30NAHZ3	✓	✓				
MXZ-SM36NAMHZ	✓	✓	✓	✓		
MXZ-SM42NAMHZ	✓	✓	✓	✓		
MXZ-SM48NAMHZ	✓	✓	✓	✓		

## Conexión de la Serie PAA

### Longitud máxima de tubería

La tubería total máxima con conexión PAA depende del número de unidades interiores PAA conectadas. Consulte la tabla a continuación para conocer la longitud máxima total de tubería adecuada para la que se puede diseñar el sistema.

### Longitud mínima de tubería

Para los sistemas de cajas de derivación donde PAA es la única unidad conectada, la longitud mínima de tubería a cada unidad PAA desde la unidad exterior debe ser de 33 pies.

Modelo	Capacidad total interior conectada (kBtu/h)	Número de unidades PAA conectadas			
		Ninguna unidad PAA conectada	1	2	3 o más
MXZ-SM36/48NAM MXZ-SM36/42/48NAMHZ	<27	492 ft (150 m)	492 ft (150 m)	<b>No se pueden conectar 2 o más PAA para menos de 27 kBtu/h</b>	
	28-54	492 ft (150 m)	341 ft (104 m)	276 ft (84 m)	276 ft (84 m)
	>55	492 ft (150 m)	308 ft (94 m)	243 ft (74 m)	243 ft (74 m)
MXZ-SM60NAM	<27	492 ft (150 m)	492 ft (150 m)	<b>No se pueden conectar 2 o más PAA para menos de 27 kBtu/h</b>	
	28-54	492 ft (150 m)	408 ft (124 m)	361 ft (110 m)	337 ft (103 m)
	>55	492 ft (150 m)	384 ft (117 m)	337 ft (103 m)	314 ft (96 m)

El cuadro anterior es para la Serie M. Para la Serie P, siga las pautas del manual de instalación de la unidad exterior de la Serie P.



### NOTA

Para longitudes de tubería extendidas, referirse a Diamond System Builder (DSB).

**Tabla de restricción del flujo de aire de la unidad PAA**

		IDU				
		PAA-A18AA1 PAA-A18BA1	PAA-A24AA1 PAA-A24BA1	PAA-A30AA1 PAA-A30BA1	PAA-A36BA1 PAA-A36CA1	PAA-A42BA1 PAA-A42CA1
Flujo de aire						
Máximo	METROS CÚBICOS POR MINUTO [CMM]	23.0	23.5	29.0	34.0	47.0
	PIES CÚBICOS POR MINUTO [CFM]	812	830	1024	1201	1660
Mínimo	CMM	12.0	15.6	19.8	22.7	26.5
	CFM	424	551	700	800	936



**NOTA**

La restricción del flujo de aire anterior se limita al funcionamiento de la bomba de calor únicamente.





## AVISO

- Asegurarse de que el calentador de gas cumpla con las normas ANSI-Z21.47/CSA2.3 del laboratorio externo NRTL, como AGA, CSA, UL o ETL/Intertek. El sistema de aire acondicionado/bomba de calor de Mitsubishi Electric solo debe conectarse con un calentador de gas con certificación ANSI-Z21.47/CSA2.3.
  - Una conexión incorrecta puede provocar gases tóxicos, incendios, explosiones, descargas eléctricas o pérdidas de agua.
- No instale la unidad PAA en ningún calentador de ACEITE o tipo TAMBOR.
  - El incumplimiento de esta advertencia puede provocar lesiones personales o la muerte.
- NO instale la unidad PAA en calentadores o aplicaciones donde la temperatura del aire de suministro podría exceder los 200 °F.
  - El incumplimiento de esta advertencia puede provocar lesiones personales o la muerte.
- La unidad PAA solo debe instalarse en un calentador con una capacidad de salida no superior al 300 % de la capacidad de enfriamiento nominal de la unidad PAA.
  - El incumplimiento de esta advertencia puede provocar lesiones personales o la muerte.



## IMPORTANTE

El ventilador del calentador debe configurarse de manera tal que el flujo de aire sea mayor o igual a 350 CFM por tonelada y menor o igual a 400 CFM por tonelada de capacidad de enfriamiento nominal de la unidad PAA.

En la orientación del flujo descendente, el ventilador del calentador debe configurarse para mantener una velocidad frontal del flujo de aire por debajo de 350 pies/min para evitar la purga de agua.



## ATENCIÓN

- No utilice la unidad PAA en entornos especiales.
  - El aceite, el vapor, el humo sulfúrico, etc. pueden reducir significativamente el rendimiento de la unidad PAA o dañar sus piezas.
- Bloquee siempre el interruptor de desconexión del calentador, si está presente, en la posición abierta antes de dar servicio a la unidad PAA.
- Cuando instale la unidad en un hospital, estación de comunicación o similar, proporcione protección suficiente contra el ruido electromagnético.
  - Los equipos INVERSORES, generadores de energía privados, equipos médicos de alta frecuencia o equipos de radiocomunicación pueden hacer que la unidad PAA funcione de manera errónea o que no funcione. Por otro lado, la unidad PAA puede afectar a dichos equipos debido a la creación de ruido electromagnético que puede perturbar los tratamientos médicos que impliquen la transmisión de imágenes.
- Asegúrese de que haya una bandeja de drenaje auxiliar instalada para evitar que la condensación ocasional dañe el edificio.
- Cuando la humedad de la habitación excede el 80 % o cuando el tubo de drenaje está obstruido, la condensación puede gotear desde la unidad interior. Realice un trabajo de drenaje colectivo junto con la unidad exterior, según sea necesario.
- Cuando la temperatura ambiente del punto de rocío supera los 73° F (23° C), puede producirse condensación de rocío en la superficie de la unidad. Realice el tratamiento adecuado, como aislamiento de envoltura de conductos, para evitar la condensación de rocío.



## NOTA

Conserve este manual de instalación junto con la unidad. Lea atentamente todas las instrucciones de instalación antes de instalar el producto. Asegúrese de haber comprendido cada paso o procedimiento y que se tengan en cuenta todas las consideraciones especiales antes de comenzar la instalación.

Reúna todas las herramientas, herrajes y suministros necesarios para completar la instalación. Consulte las secciones "Introducción al sistema" y "Accesorios para unidades interiores" para ver cuáles elementos no están incluidos con la unidad PAA. Asegúrese de que todo lo necesario para instalar el producto esté a mano antes de comenzar. Si la capacidad de la fuente de alimentación es inadecuada o el trabajo eléctrico se realiza de manera incorrecta, se pueden producir descargas eléctricas e incendios.



## AVISO

- El incumplimiento de esta advertencia podría provocar daños a la propiedad, lesiones personales graves o la muerte: verifique que el calentador esté instalado correctamente de acuerdo con el manual de instalación del calentador de gas y los códigos de construcción locales.

## 5.4. Antes de instalar (mover) la unidad de PAA: trabajo eléctrico



### NOTA

Asegúrese de que el cableado no quede apretado o se dañe al colocar la cubierta de la caja de control.



### ATENCIÓN

- Instale la tubería de drenaje de acuerdo con este manual de instalación para garantizar un drenaje adecuado. Envuelva las tuberías con aislamiento térmico para evitar la condensación.
  - Una tubería de drenaje inadecuada puede causar pérdidas de agua y daños a los muebles y otras posesiones.



## AVISO

- Asegúrese de conectar a tierra la unidad PAA y la unidad exterior.
  - No conecte el cable de tierra a ninguna tubería de gas, tubería de agua, pararrayos o cable de tierra del teléfono. Una conexión a tierra incompleta puede generar un riesgo de descarga eléctrica. Si el cable de alimentación está dañado, debe ser reemplazado por un distribuidor, contratista o técnico que cuente con las certificaciones según lo requerido por las leyes y los códigos, para evitar un peligro.
- Instale el cable de alimentación de manera que no se aplique tensión al cable.
  - La tensión puede hacer que el cable se rompa y genere calor y se ocasione un incendio.
- Instale un interruptor diferencial según sea necesario.
  - Si no se instala un interruptor diferencial, se puede producir una descarga eléctrica. Utilice cables de alimentación de suficiente capacidad de conducción de corriente y clasificación. Los cables demasiado pequeños pueden tener pérdidas, generar calor y provocar un incendio.
- Utilice cables de alimentación de suficiente capacidad de conducción de corriente y clasificación.
  - Los cables que son demasiado pequeños pueden tener fugas, generar calor y provocar un incendio.
- Siga los códigos y estándares locales al dimensionar los cables y completar las conexiones eléctricas durante la instalación.
  - Los fusibles o disyuntores de capacidad mayor o cables de acero o cobre pueden provocar la falla general de la unidad o un incendio.
- No lave la unidad PAA.
  - Lavar la unidad PAA puede causar una descarga eléctrica.
- Asegúrese de que la base de instalación no esté dañada.
  - Si se daña, la unidad puede caerse y causar lesiones personales o daños a la propiedad.
- Instale la tubería de drenaje de acuerdo con este manual de instalación para garantizar un drenaje adecuado. Envuelva las tuberías con aislamiento térmico para evitar la condensación.
  - Las tuberías de drenaje inadecuadas pueden causar pérdidas de agua y daños a los muebles y otras posesiones.
- Tenga mucho cuidado al transportar el producto.
  - Si el producto pesa más de 20 kg [44 lb], más de una persona debe llevar el producto.
  - Algunos productos utilizan bandas de polipropileno (PP) para el envasado. No use bandas de PP para un medio de transporte; es peligroso.
  - No toque las aletas del intercambiador de calor. Se puede cortar los dedos si lo hace.
- Deseche de manera segura los materiales de embalaje.
  - Los materiales de embalaje, como clavos y otras piezas de metal o madera, pueden causar pinchazos u otras lesiones.
  - Rasgue y deseche las bolsas plásticas de embalaje para que los niños no jueguen con ellas. Si los niños juegan con una bolsa de plástico que no ha sido rasgada, corren el riesgo de asfixia.
- Antes de instalar o reparar el sistema, siempre apague la alimentación principal del sistema. Puede haber más de un interruptor de desconexión. Etiquete el interruptor de desconexión con una etiqueta de advertencia.

- El incumplimiento de esta advertencia puede provocar lesiones personales o la muerte.
- Desconecte siempre la alimentación eléctrica al calentador antes de retirar la puerta del soplador.
  - No desconectar la alimentación puede ocasionar descargas eléctricas o lesiones.
- Etiquete todos los cables antes de desconectarlos cuando realice el mantenimiento de los controles. Verifique el funcionamiento correcto después del mantenimiento.
  - Los errores de cableado pueden causar un funcionamiento inadecuado y peligroso.

## 5.5. Antes de iniciar la prueba



### ATENCIÓN

- Abra las válvulas de paro que aíslan la unidad PAA de la unidad exterior antes de comenzar la operación para evitar que la tubería de refrigerante se rompa durante la operación de la caldera.
- Encienda la alimentación al menos 12 horas antes de comenzar la operación.
  - Inicie la operación inmediatamente después de encender el interruptor de alimentación principal puede provocar daños graves a las piezas internas. Mantenga el interruptor de alimentación encendido durante la temporada de funcionamiento.
- No apague la alimentación inmediatamente después de detener la operación. Espere al menos cinco minutos antes de apagar la alimentación.
  - Apagar la energía de inmediato puede provocar una fuga de agua.



## AVISO

- No toque los interruptores con los dedos mojados.
  - Tocar un interruptor con los dedos mojados puede causar una descarga eléctrica.
- No toque las tuberías de refrigerante durante e inmediatamente después de la operación.
  - Durante la operación e inmediatamente después, las tuberías de refrigerante pueden estar extremadamente calientes o frías, dependiendo de la condición del refrigerante que fluye a través de la tubería de refrigerante, el compresor y otras partes del ciclo de refrigerante. Sus manos pueden sufrir quemaduras o congelamiento si toca las tuberías de refrigerante.
- Lea detenidamente los capítulos "Selección de un sitio de instalación" y "Cableado eléctrico" antes de operar el equipo. No opere el calentador, la unidad PAA o la unidad exterior sin el panel o la protección.
  - Pueden producirse lesiones si toca el ventilador giratorio del calentador o la unidad exterior, piezas de alta temperatura como compresores y tuberías, o piezas de alto voltaje como bloques de terminales.
- No almacene ni use gasolina u otros vapores y líquidos inflamables cerca de este u otros aparatos.
- ¿Qué hacer si huele gas?
  - No toque ningún interruptor eléctrico.
  - No use ningún teléfono en su edificio.
  - Llame de inmediato a su proveedor de gas desde una ubicación vecina.
  - Siga las instrucciones del proveedor de gas.
  - Si no puede comunicarse con su proveedor de gas, llame al departamento de bomberos.
  - No intente encender ningún aparato.
- Nunca use una llama abierta para detectar fugas de refrigerante. Se pueden producir condiciones explosivas. Utilice un detector de fugas u otros métodos aprobados para detectar pérdidas. Si se produce un sobrecalentamiento del suministro de aire de descarga del calentador y el suministro de gas no se cierra, siga el manual de instalación del calentador para desactivar el suministro de gas y electricidad al calentador.

## 5.6. Después de la instalación y la ejecución de la prueba



### ATENCIÓN

- Cuando limpie el intercambiador de calor y la bandeja de drenaje, asegúrese de que no se derrame agua sobre las piezas del calentador, el aislamiento de la unidad de PAA o el aislamiento del conducto de aire.
  - El agua puede causar corrosión en el intercambiador de calor y contribuir al envejecimiento del aislamiento.
- Monitoree la temperatura del edificio durante los períodos de clima frío. Si por alguna razón su sistema de HVAC no funciona, podrían producirse daños como la rotura de tuberías de agua por falta de calefacción adecuada del espacio.

## 5.7. Para desechar la unidad PAA



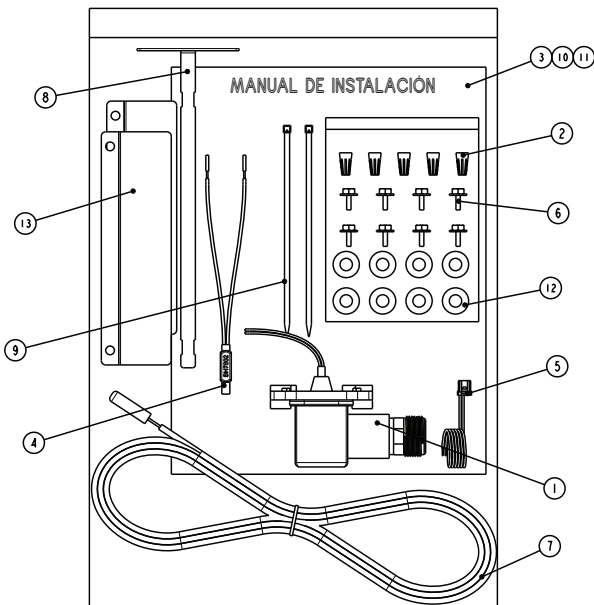
### ATENCIÓN

Para desechar la unidad PAA, consulte a un distribuidor, contratista o técnico que cuente con las certificaciones requeridas por las leyes y los códigos.

## 6. Accesorios de unidad para interiores

La bolsa de accesorios contiene los siguientes artículos:

N.o de pieza	Descripción	Cantidad
1	Interruptor de flotador SS2	1
2	Tuercas para cables	5
3	Manual de instalación	1
4	Termostato ACH065 (NAT)	1
5	Conjunto de cables CN4F	1
6	Tornillos (M5)	8
7	Termistor TH1	1
8	Soporte	1
9	Abrazaderas de plástico	2
10	Manual de operación	1
11	Guía de solución de problemas	1
12	Arandelas	8
13	Cubiertas en U	2



Soporte en L (no incluido en la bolsa de accesorios), cant. = 1



## 7. Selección de un sitio de instalación

- Evite instalar la unidad PAA en lugares expuestos al aire exterior.
- Seleccione una ubicación que no obstruya el flujo de aire dentro y fuera de la unidad.
- Evite instalar la unidad PAA y la caja de control en lugares que la expongan al vapor.
- Evite instalar la caja de control cerca de lugares donde el gas combustible o el aceite puedan tener fugas, asentarse o generarse.
- Evite la instalación cerca de máquinas que emiten ondas de alta frecuencia (soldadores de alta frecuencia, etc.).
- Evite instalar la unidad PAA en lugares donde el flujo de aire se dirija a un sensor de alarma contra incendios. (El aire caliente podría activar la alarma durante el funcionamiento).
- Evite instalar la unidad de PAA en lugares donde frecuentemente se utilizan soluciones ácidas.
- Evite instalar la unidad PAA en lugares donde comúnmente se utilizan pulverizaciones a base de azufre u otras pulverizaciones.
- Asegúrese de que haya suficiente espacio disponible para instalar la bandeja de drenaje auxiliar, ya sea instalando la unidad PAA en las posiciones de flujo ascendente, flujo descendente u horizontal izquierda/derecha.
- Asegúrese de que haya suficiente espacio disponible para el aislamiento en los conductos de entrada y salida para evitar la condensación.

### 7.1. Funcionamiento básico de la unidad PAA

El sistema de la unidad PAA combina una A-Coil montada en un calentador con una caja de control PAA para controlar el sistema. El sistema utiliza el ventilador del calentador conectado para operar en modo de enfriamiento y mientras se hace funcionar la bomba de calor en modo de calor. Si el sistema no puede cumplir con la demanda de calor, el sistema cambia al funcionamiento del calentador.

## 8. Instalación

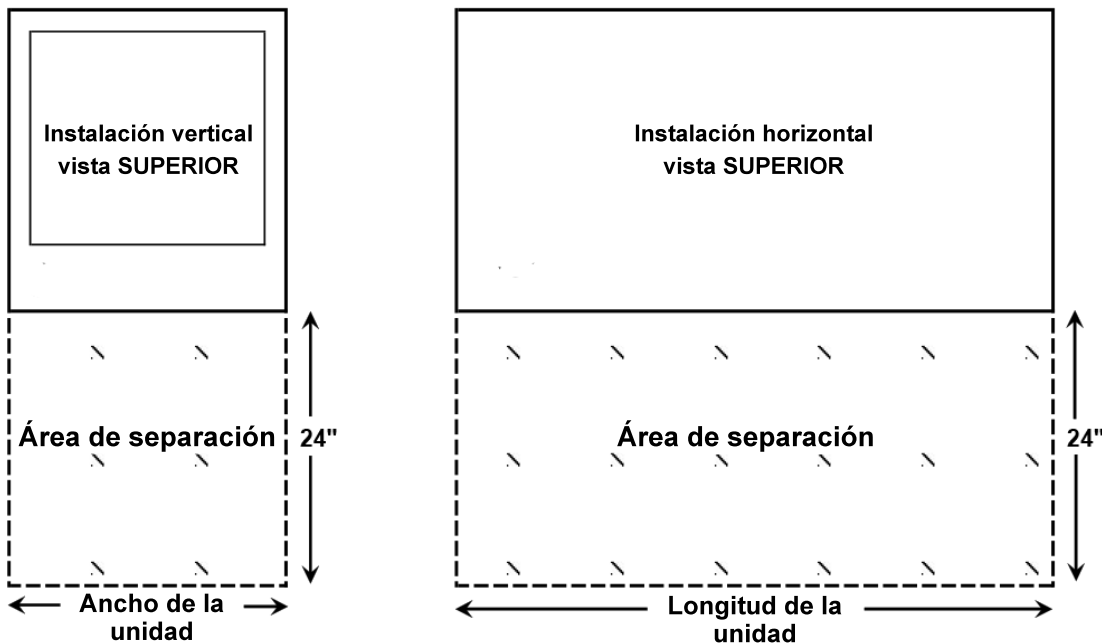
El envío de la unidad PAA contiene los siguientes artículos:

1. Bobina encapsulada (incluye conjunto de termistor de tubo TH2 / TH5 preinstalado)
2. Caja de control
3. Bolsa de accesorios
4. Soporte en L

Las unidades PAA se envían con bandejas de drenaje verticales y horizontales internas instaladas en fábrica, que pueden configurarse para orientación de flujo ascendente/flujo descendente, horizontal derecha u horizontal izquierda. No se requiere una bandeja de drenaje horizontal interna para las configuraciones verticales.

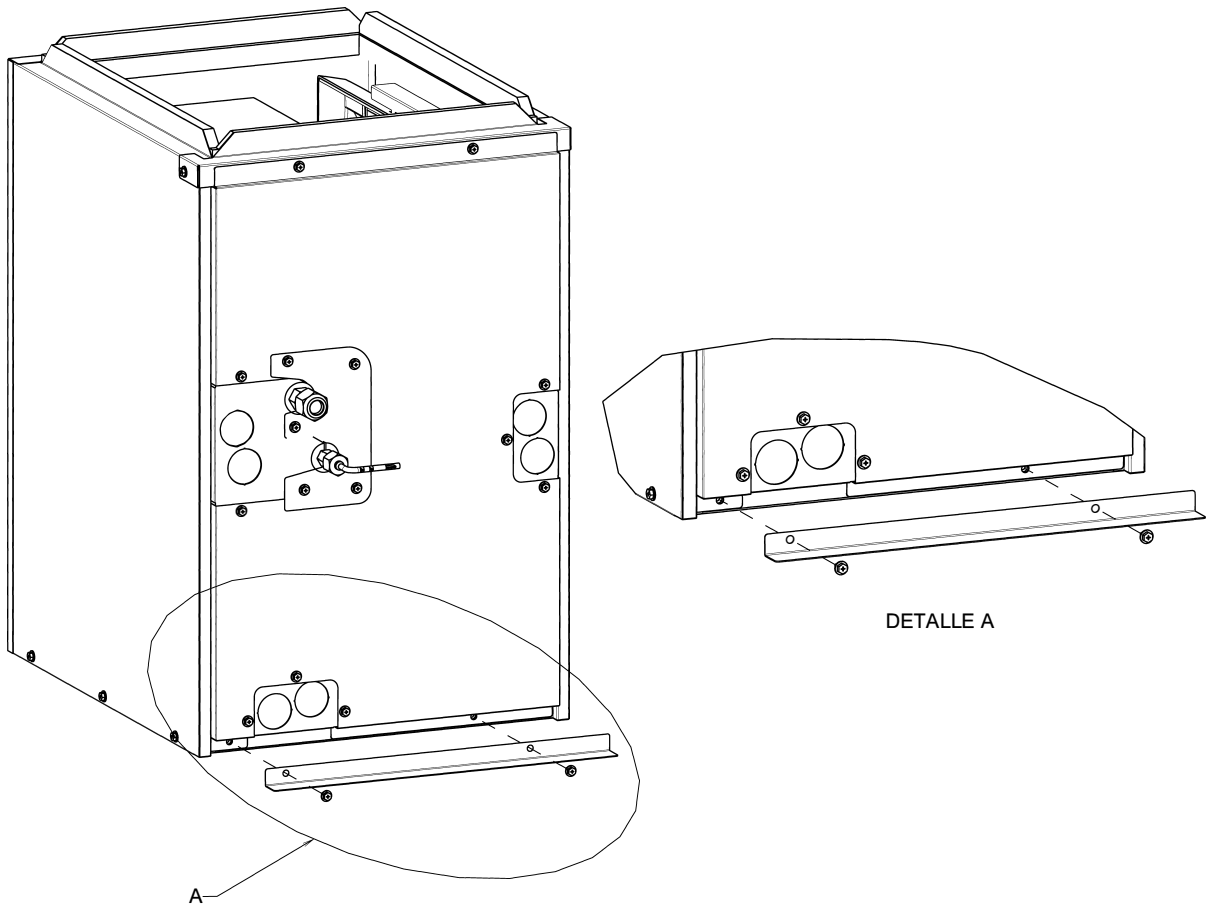
En configuraciones de flujo ascendente/flujo descendente, se debe aplicar cinta de papel de aluminio para sellar el borde superior del aislamiento al gabinete. Esta cinta evitará la posibilidad de que el aislamiento se desprenda y bloquee el flujo de aire. La bobina debe estar nivelada o ligeramente inclinada hacia la conexión de drenaje.

### 8.1. Espacio libre para la instalación

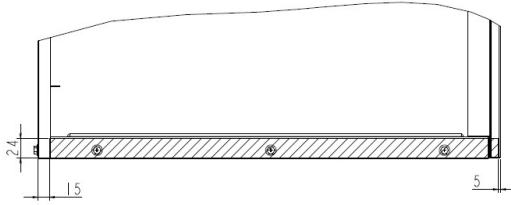


Debido a la variación de las profundidades de las aberturas del calentador, puede haber un espacio entre el frente de la bobina y la abertura del calentador. Para llenar este espacio, instale el soporte en L que

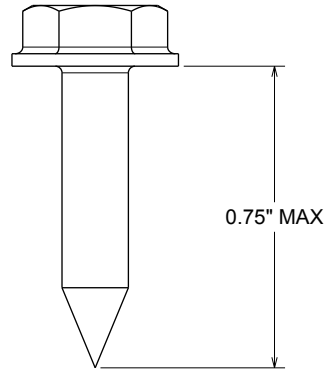
viene incluido, como se muestra a continuación. Luego, forme un sello hermético con cinta de papel de aluminio, cinta aprobada o masilla.



## 9. Conexiones de conductos



Vista lateral



### NOTA

- Consulte el dibujo esquemático en la sección "Dimensiones" para conocer el tamaño de la conexión del conducto.
- Utilice conductos con bridas para las conexiones al retorno.
- No utilice tornillos de lámina metálica de más de 0,75 in para asegurar la red de conductos al gabinete de la unidad PAA.



### NOTA

El instalador puede usar tornillos solo en el área sombreada indicada anteriormente, cuando se conecta al calentador o a la red de conductos de retorno.



### ATENCIÓN

- Agregue aislamiento externo adicional para evitar la condensación de la superficie.
  - Una instalación incorrecta puede causar daños a la unidad o a los alrededores debido a la condensación.

## 10. Posiciones de montaje

La unidad PAA puede instalarse en una de las siguientes configuraciones: flujo ascendente, flujo descendente, orientación horizontal derecha u horizontal izquierda.



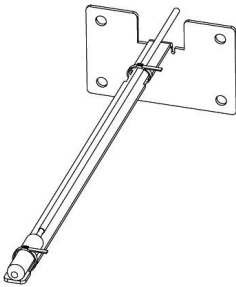
### NOTA

Todas las imágenes que se muestran en este capítulo son para el PAA-A18BA1 (17.5").

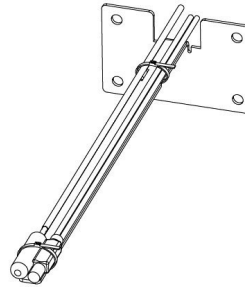
### 10.1. Instalación del termistor TH1 y termostato NAT

Cuando corresponda, el termistor TH1 y el termostato NAT deben instalarse en el conducto de aire de retorno con el soporte provisto en la bolsa de accesorios. Extienda los cables NAT según sea necesario utilizando el cable trenzado de calibre 20-18 suministrado en campo y las tuercas de cable suministradas en la bolsa de accesorios.

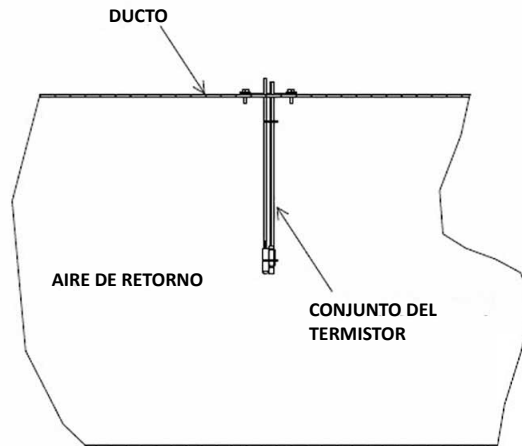
Termistor TH1 instalado



Termistor TH1 y termostato NAT instalados



Termistor TH1 y termostato NAT instalados en el conducto de aire de retorno que se muestra a continuación:





## ATENCIÓN

No instale el termistor TH1 y el termostato NAT en el lado de descarga del calentador de gas. Esto puede causar fallas en el termistor y/o el termostato.

Además, no instale el termistor TH1 y el NAT cerca de cualquier conducto de derivación o demasiado cerca del calentador. Hacerlo causará daños al termistor TH1 y al NAT debido al calor del calentador.



## NOTA

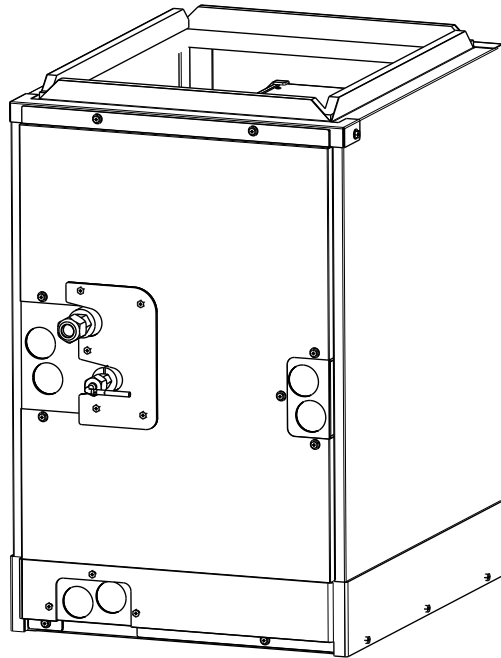
Al instalar la unidad PAA en espacios no acondicionados, tenga en cuenta que las temperaturas del aire en la red de conductos (medidas por el termistor de aire de retorno) pueden variar de la temperatura del espacio. Cuando esta variación es grande, puede afectar la capacidad del sistema de enfriar el espacio ocupado hasta el punto de ajuste mínimo de enfriamiento o calentar hasta el punto de ajuste máximo de calentamiento.

Se pueden aplicar las siguientes medidas para mitigar el efecto de la variación de temperatura:

- Aísle la red de conductos.
- Utilice una opción de controlador remoto con capacidad de detección.
- Coloque el termistor de aire de retorno lo más lejos posible del hogar, evitando los conductos de derivación, pero teniendo cuidado de asegurarse de que todas las ramas del conducto de retorno permanezcan ascendentes en relación con el termistor.
- Asegúrese de que el soporte de montaje proporcionado se utilice para colocar el termistor de aire de retorno dentro de la corriente de aire.
- Ajuste el ventilador en las configuración de apagado térmico para mantener el flujo de aire a través del gabinete.
- Instale el PAC-USSEN00(1|2)FM-1 como el sensor de aire de retorno, colocado en el espacio acondicionado.
- Utilice kumo cloud<sup>®</sup> junto con el sensor inalámbrico de temperatura y humedad PAC-USWHS003TH-1.

## 10.2. Instalación de flujo ascendente/flujo descendente

El gabinete que contiene el conjunto hexagonal se envía en la configuración horizontal derecha. Será necesario realizar modificaciones para otras configuraciones deseadas.



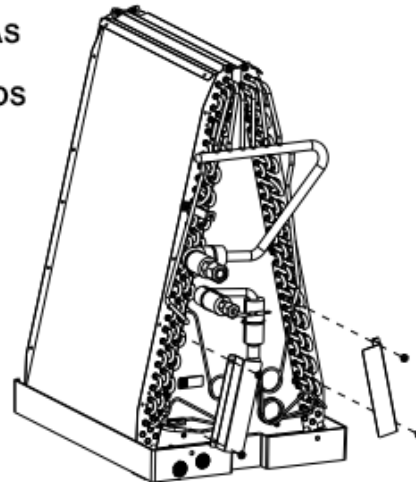
Al instalar los cuatro modelos de unidades PAA grandes (PAA-A36, 42 BA1/CA1) en la configuración de flujo descendente, se deben instalar en la unidad las dos cubiertas en U suministradas en la bolsa de accesorios. (Las dos cubiertas en U se indican como n.º de pieza 13 en la lista de elementos de la bolsa de accesorios en la sección de accesorios de la unidad interior).

La instalación de las cubiertas en U dirige la posible purga de condensación de rocío hacia la bandeja de drenaje principal.

### ¡ATENCIÓN!

LAS DOS CUBIERTAS EN U SUMINISTRADAS EN LA BOLSA DE ACCESORIOS DEBEN INSTALARSE EN LOS SIGUIENTES MODELOS CUANDO SE INSTALEN EN FLUJO DESCENDENTE:

- PAA-A36BA1
- PAA-A36CA1
- PAA-A42BA1
- PAA-A42CA1

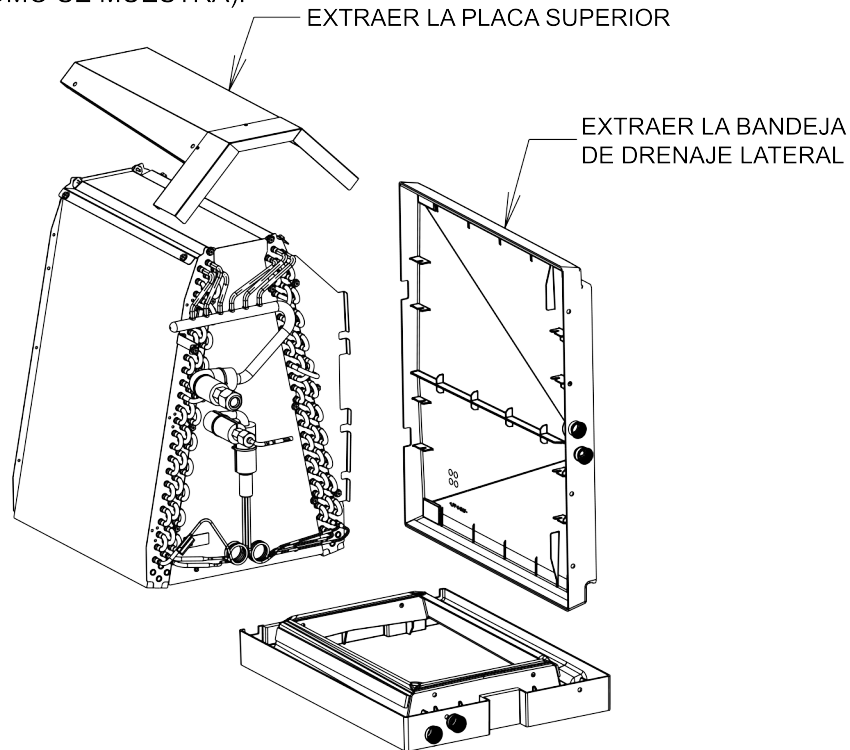


La bandeja de drenaje lateral y la placa superior deben retirarse del conjunto de bobinas para la instalación de la configuración vertical. Retire la bandeja de drenaje lateral (así como su soporte y 2 piezas triangulares) y la placa superior como se muestra en los siguientes pasos. La extracción de la bandeja de drenaje lateral y la placa superior aumenta el flujo de aire y la eficiencia.

# ¡ATENCIÓN!

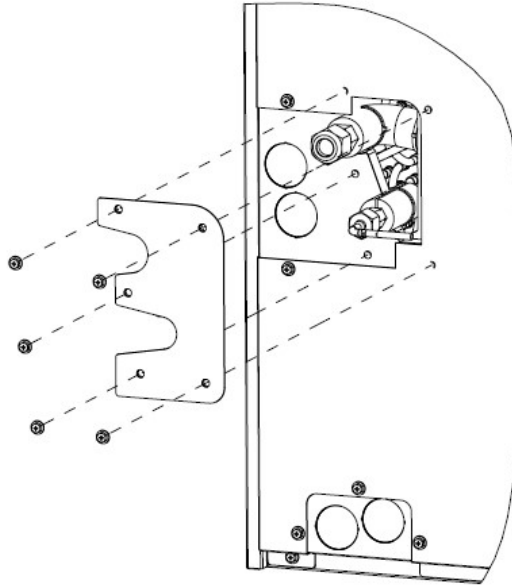
PARA INSTALACIONES FLUJO ASCENDENTE Y FLUJO DESCENDENTE

1. SE DEBE EXTRAER LA PLACA SUPERIOR (COMO SE MUESTRA).
2. SE DEBE EXTRAER LA BANDEJA DE DRENAJE LATERAL (COMO SE MUESTRA).

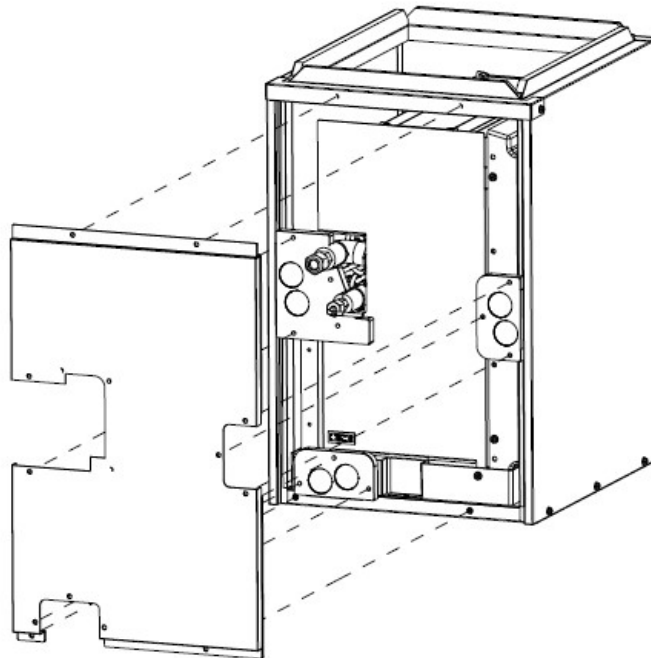




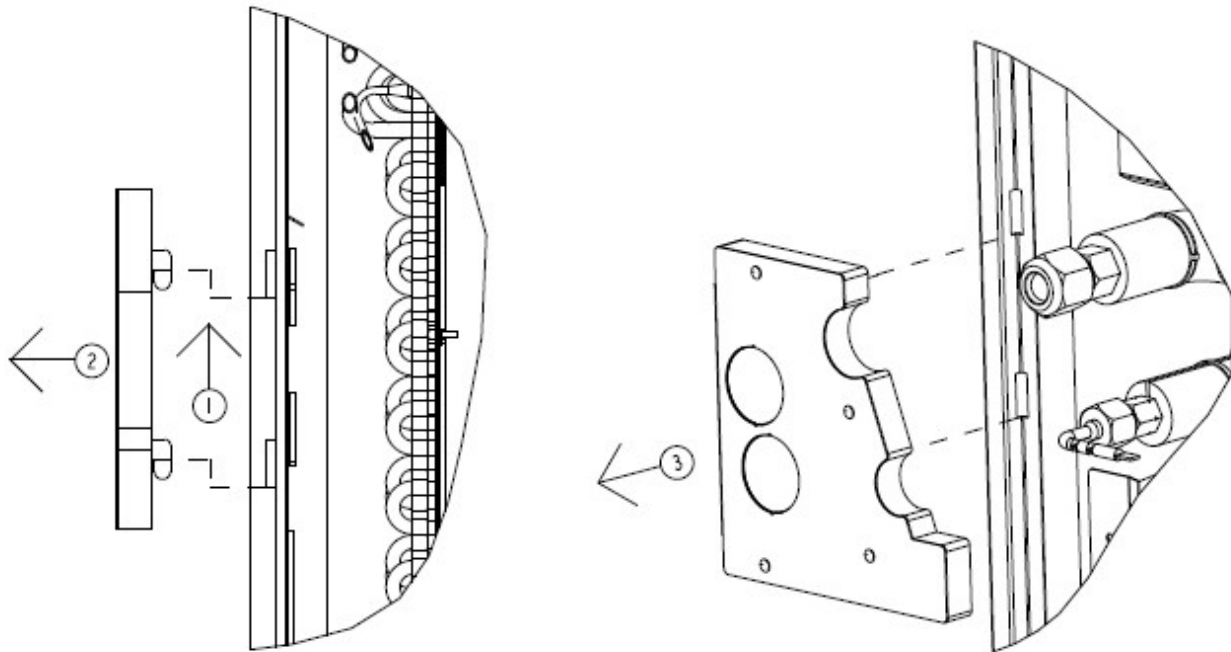
**Paso 1:** Retire el panel de tuberías que está asegurado con 5 tornillos, como se muestra a continuación:



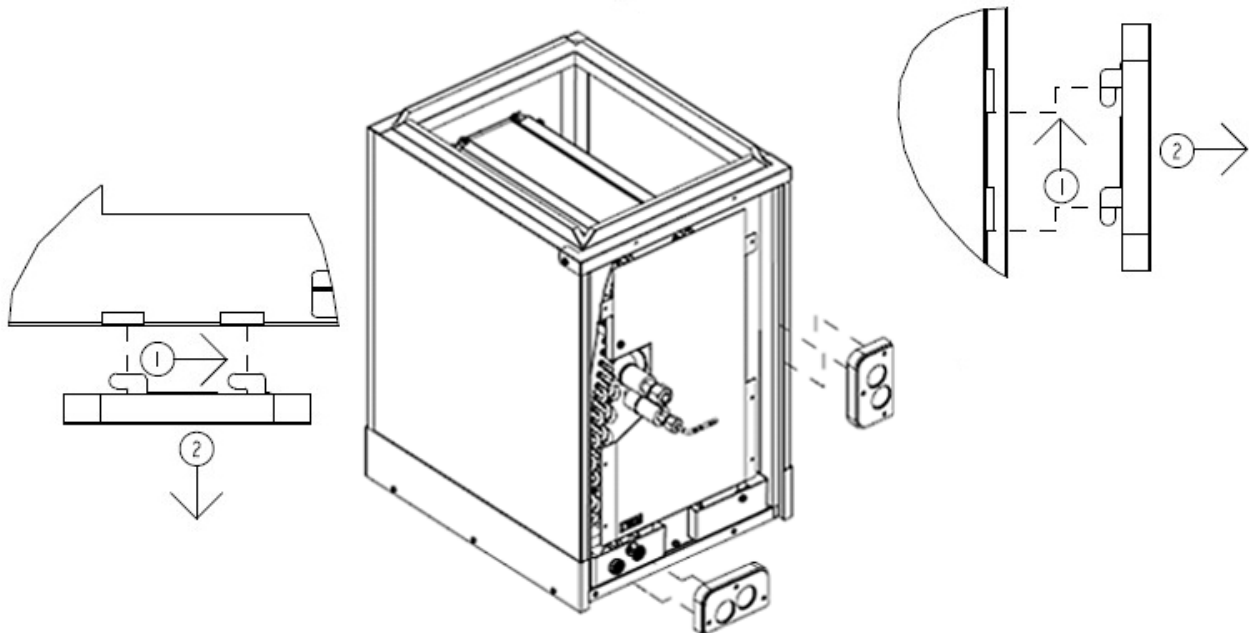
**Paso 2:** Retire el panel frontal que está asegurado con 12 tornillos. (No se muestran los tornillos).



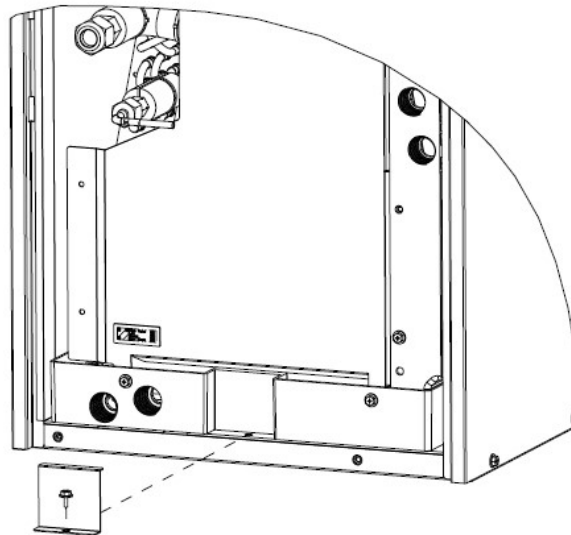
**Paso 3:** Retire el panel de tubería (panel de tubería principal) que está enganchado al gabinete, moviéndolo en las direcciones indicadas en la imagen a continuación y luego retirándolo del gabinete.



**Paso 4:** Retire los 2 paneles laterales (conjunto del panel de tubería lateral), que están enganchados al gabinete, moviéndolos en las direcciones indicadas en las imágenes a continuación y quitándolos del gabinete.



**Paso 5:** Retire el soporte en Z delantero, asegurado con un tornillo, que se encuentra en el estante conectado a la bandeja de drenaje.

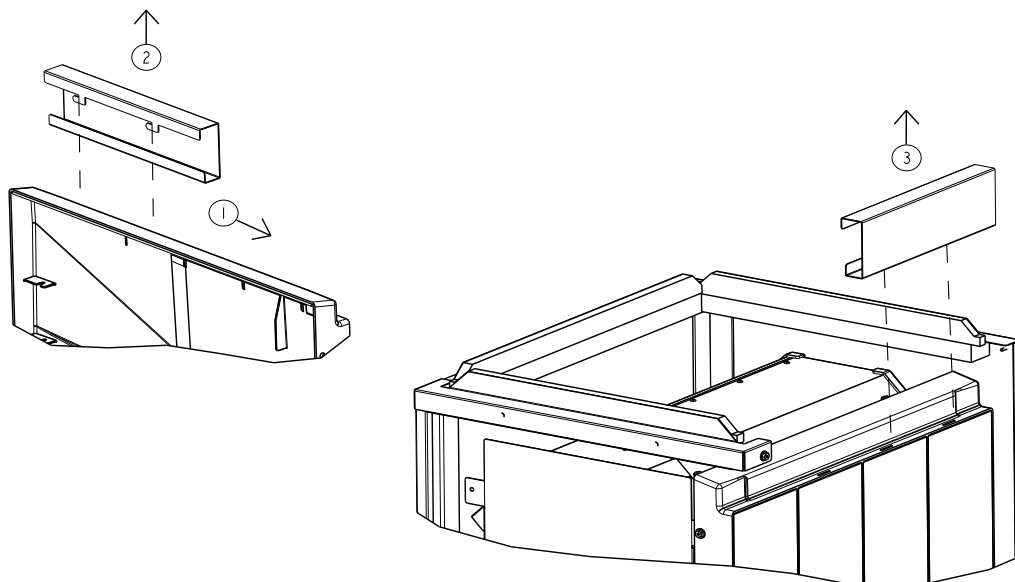


**Paso 6:** Retire el soporte de la bandeja de drenaje lateral de la bandeja de drenaje lateral deslizando el soporte y jalándolo hacia arriba. Conserve el soporte de la bandeja de drenaje lateral para la instalación horizontal izquierda. Deseche (recicle) el soporte para instalaciones de flujo ascendente/flujo descendente.



**NOTA**

El soporte de la bandeja de drenaje lateral debe retirarse mientras el intercambiador de calor está dentro del gabinete. Algunas piezas no se muestran para simplificar la imagen.

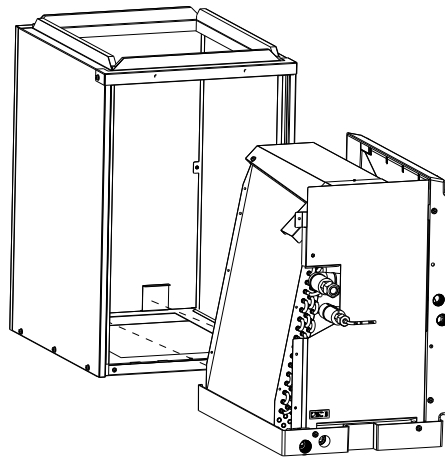


**Paso 7:** Retire el conjunto del intercambiador de calor deslizándolo fuera del gabinete.

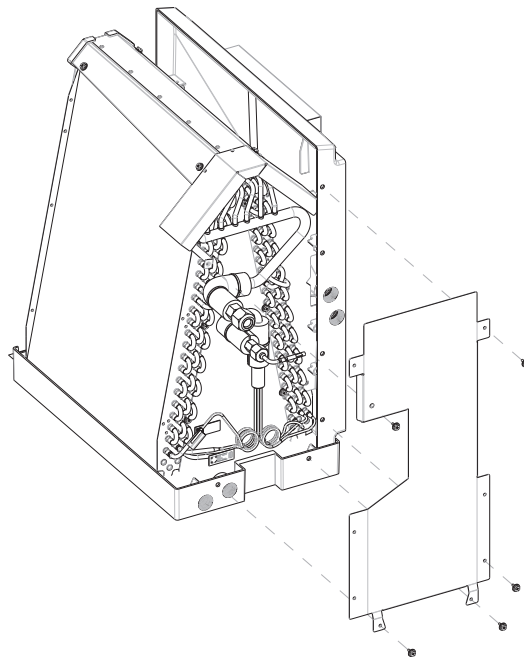


## ATENCIÓN

- Tenga extremo cuidado al retirar el intercambiador de calor del gabinete, ya que los cables del termistor están conectados al conjunto.
  - Si se dañan estos cables, la unidad podría funcionar mal.



**Paso 8:** Retire la placa frontal (sostiene las bandejas de drenaje laterales y principales), que se asegura con 5 tornillos.

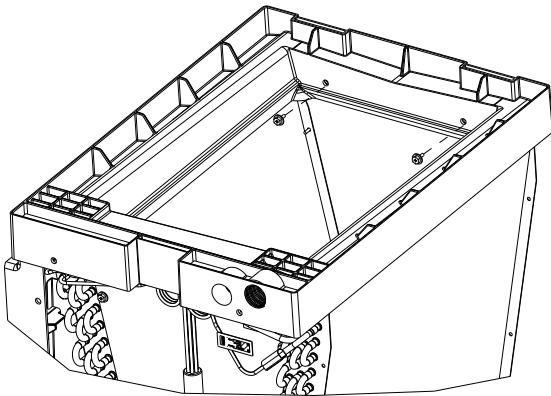


**Paso 9:** Levante el intercambiador de calor retirando los 4 tornillos que lo sujetan a la bandeja de drenaje.

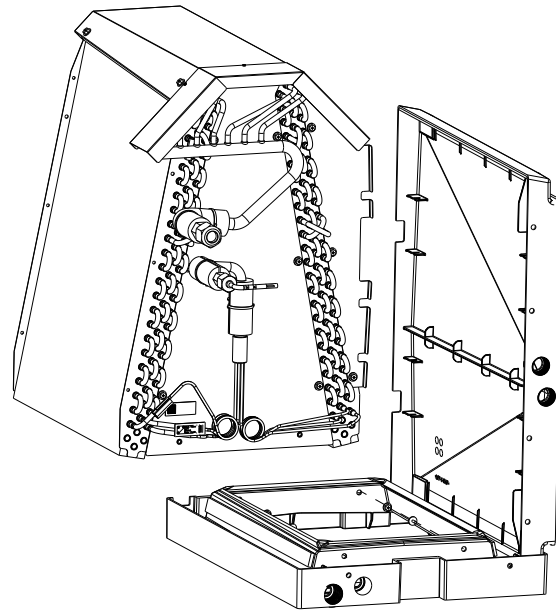


**AVISO**

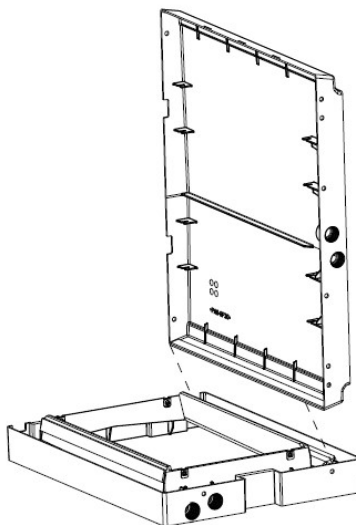
- Retirar el intercambiador de calor puede hacer que la bandeja de drenaje lateral se caiga de la bandeja de drenaje principal.
  - La bandeja colectora puede caerse y causar lesiones personales.



La unidad PAA se ve invertida para mostrar cómo se retiran los 4 tornillos.

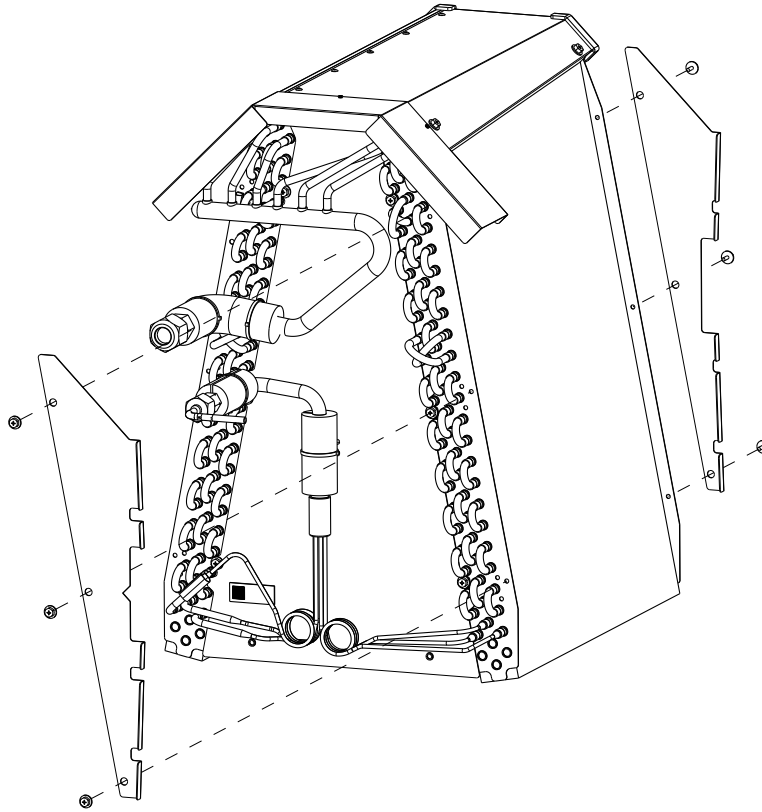


**Paso 10:** Retire la bandeja de drenaje lateral.

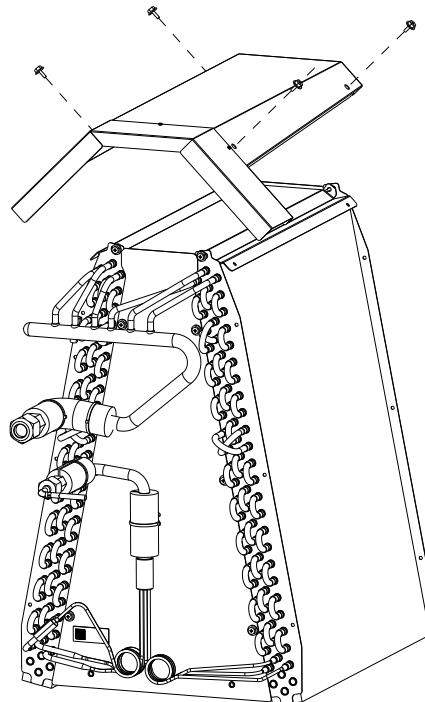


ESPAÑOL

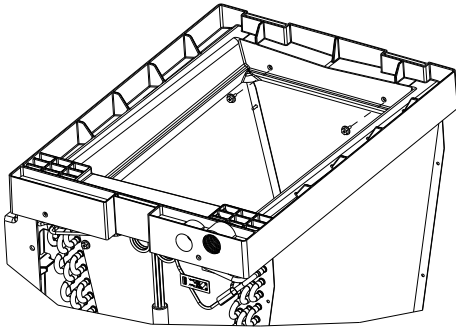
**Paso 11:** Retire las 2 piezas triangulares, sostenidas con 6 tornillos, del conjunto del intercambiador de calor. Deseche (recicle) las piezas.



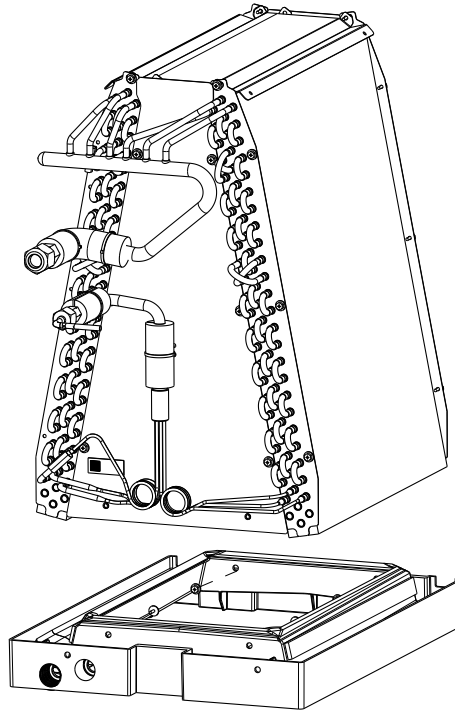
**Paso 12:** Retire la placa superior ubicada en la parte superior del intercambiador de calor, sujeta con 4 tornillos. Deseche (recicle) la placa superior.



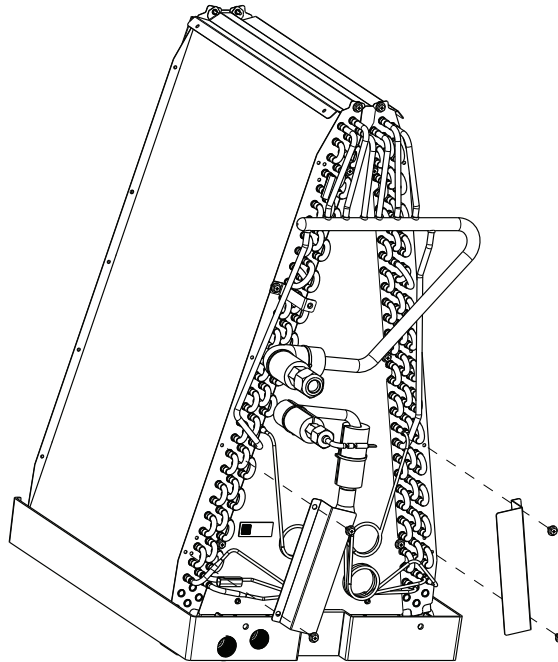
**Paso 13:** Fije el intercambiador de calor a la bandeja de drenaje principal usando los 4 tornillos.



La unidad PAA se ve invertida para mostrar cómo se instalan los 4 tornillos.



**Paso 14:** Al instalar los modelos de unidades PAA PAA-A36, 42 BA1/CA1 en la configuración de flujo descendente, fije las dos cubiertas en U suministradas en la bolsa de accesorios con los 4 tornillos provistos.



Realice los siguientes pasos para reemplazar el intercambiador de calor (sin bandeja de drenaje lateral) dentro del gabinete.

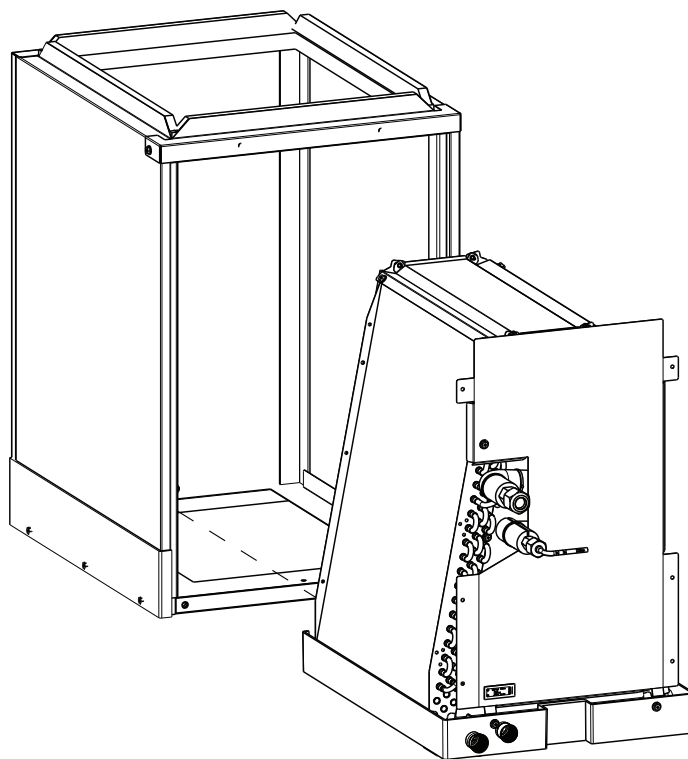
**Paso 15:** Fije la placa frontal a la bandeja de drenaje principal usando los 3 tornillos.

**Paso 16:** Vuelva a insertar el intercambiador de calor en el gabinete.



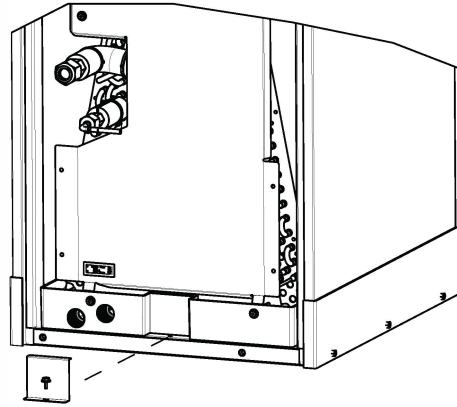
### ATENCIÓN

- Tenga extremo cuidado al insertar el intercambiador de calor de nuevo en el gabinete para evitar dañar los cables del termistor.
  - Los cables del termistor dañados pueden provocar un funcionamiento inadecuado o peligroso de la unidad.

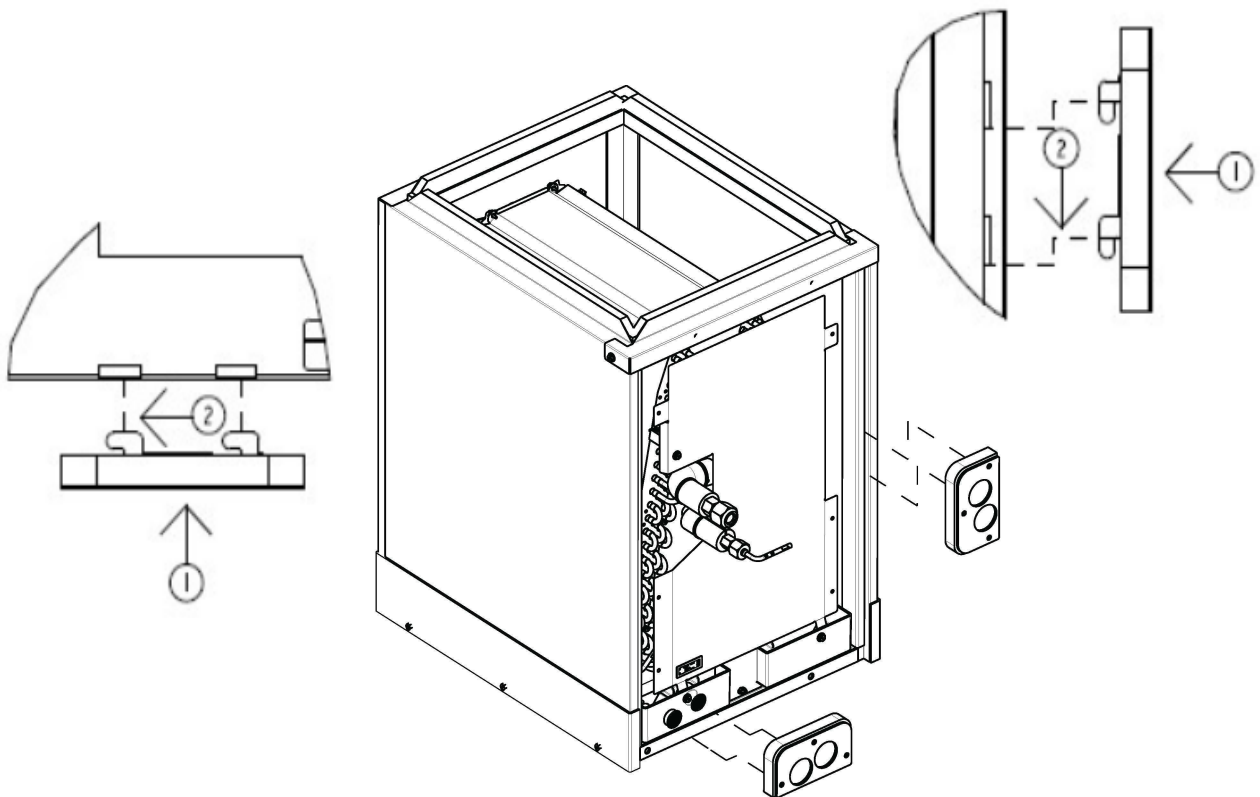




**Paso 17:** Use el tornillo (1) para instalar el soporte en Z delantero para asegurar el intercambiador de calor al gabinete.

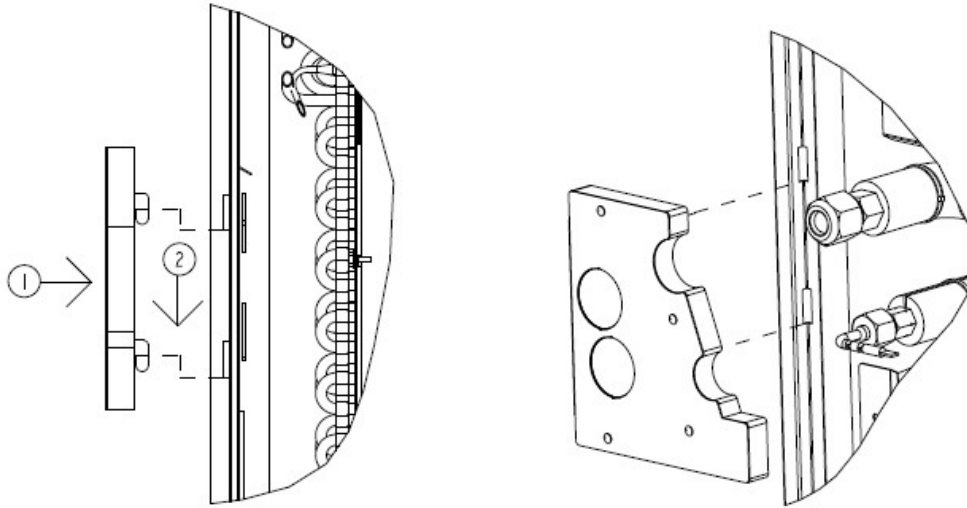


**Paso 18:** Vuelva a colocar los 2 paneles laterales (conjuntos del panel de tubería lateral).

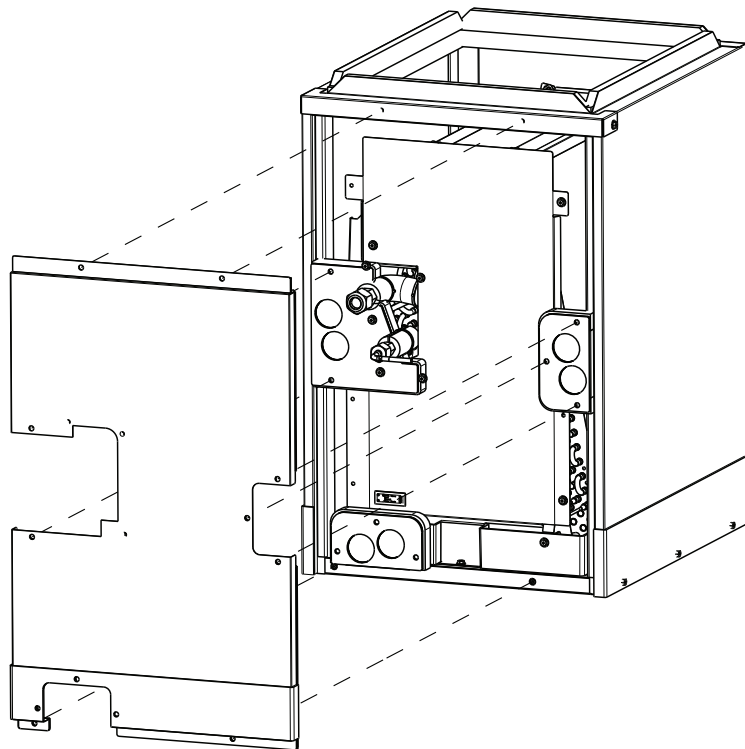


ESPAÑOL

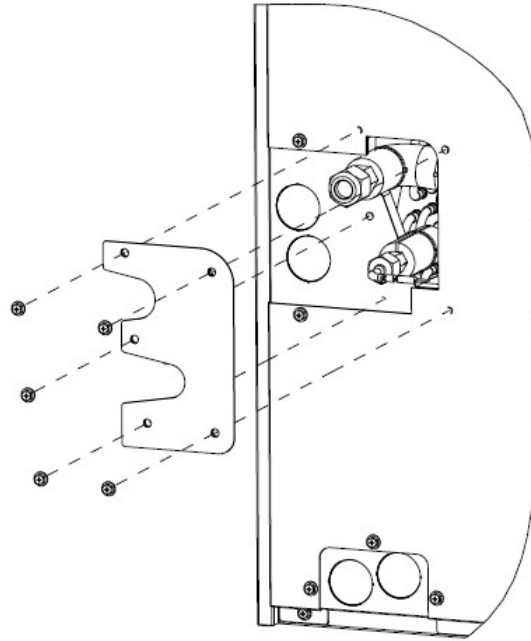
**Paso 19:** Vuelva a colocar el panel de tubería (panel de tubería principal).



**Paso 20:** Vuelva a colocar el panel frontal usando los 12 tornillos. (No se muestran los tornillos).



**Paso 21:** Vuelva a colocar el panel de tubería (usando los 5 tornillos).



## ATENCIÓN

### Requisito de la bandeja de drenaje auxiliar

Debe instalarse una bandeja de drenaje auxiliar sin una línea de drenaje separada debajo del calentador. La bandeja debe tener una profundidad mínima de 1,5 pulgadas (38 mm), no debe ser menos de 3 pulgadas (76 mm) más grande que la unidad o las dimensiones de la bobina en ancho y longitud, y debe estar construida con material resistente a la corrosión. Las bandejas de lámina de acero galvanizado deben tener un espesor mínimo de 0,0236 pulgadas (0,6010 mm). (No utilice el calibre 24). Las bandejas no metálicas deben tener un espesor mínimo de 0,0625 pulgadas (1,6 mm). Esta bandeja debe estar equipada con un dispositivo de detección de nivel de agua que cumpla con la norma UL 508 que apagará el equipo servido antes del desbordamiento de la bandeja. La bandeja debe estar equipada con un accesorio para permitir el drenaje.

### 10.3. Instalación horizontal izquierda

Para retirar el intercambiador de calor del gabinete, realice los **pasos 1 a 10** detallados en la sección "Instalación de flujo ascendente/flujo descendente".



#### NOTA

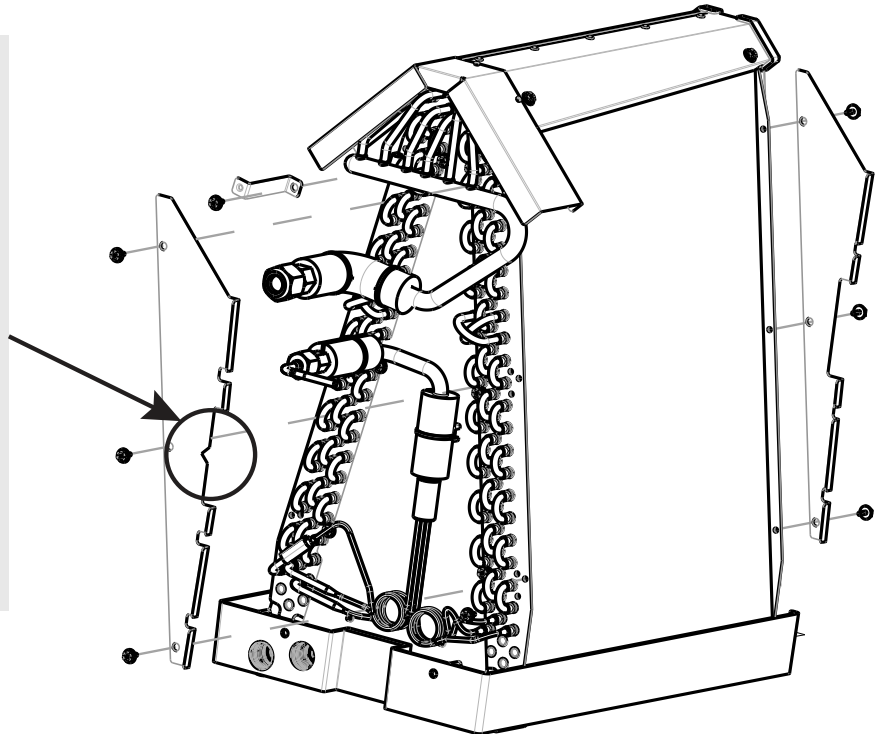
La bandeja de drenaje lateral debe reubicarse para las instalaciones horizontales izquierdas.

**Paso 1:** Retire y deseche (recicle) el soporte en Z superior izquierdo. Retire las 2 piezas triangulares del conjunto del intercambiador de calor.

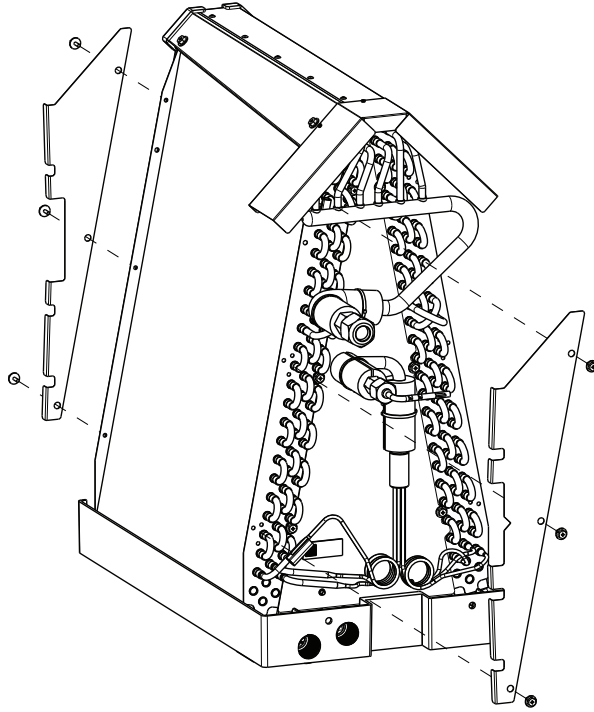


#### PRECAUCIÓN

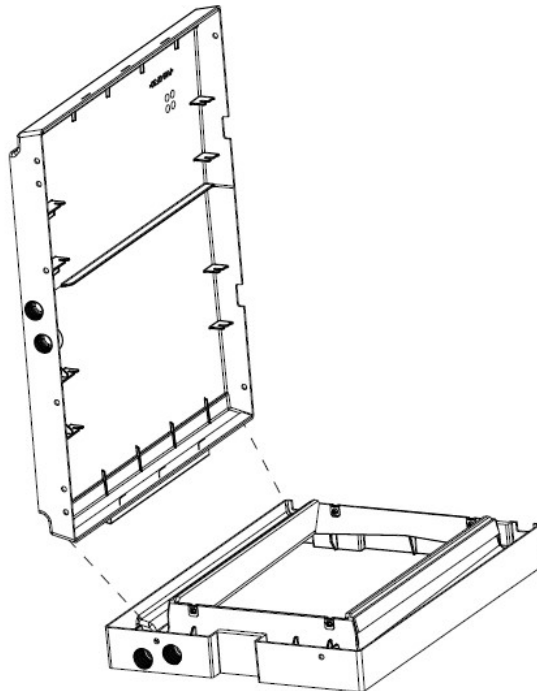
Cuando se mueve de la posición de instalación de derecha a izquierda, la pieza triangular delantera, que se distingue por una muesca en V en un borde, permanece frente al conjunto del intercambiador de calor y la pieza triangular trasera permanece en la parte posterior del conjunto. No hacer esto puede resultar en problemas de drenaje de condensación.



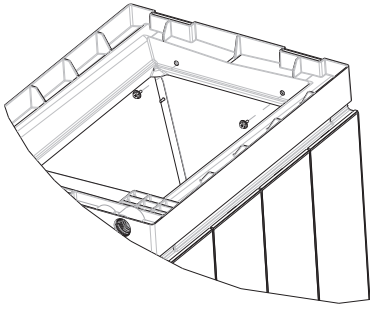
**Paso 2:** Fije las 2 piezas triangulares al lado izquierdo del conjunto del intercambiador de calor.



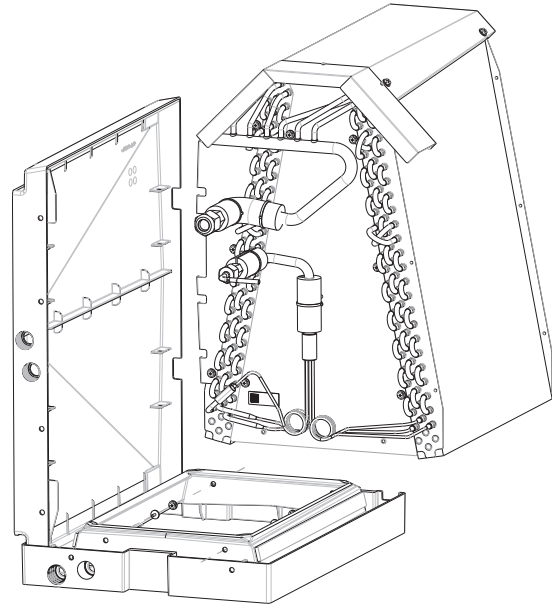
**Paso 3:** Inserte la bandeja de drenaje lateral en el lado izquierdo de la bandeja de drenaje principal como se muestra a continuación.



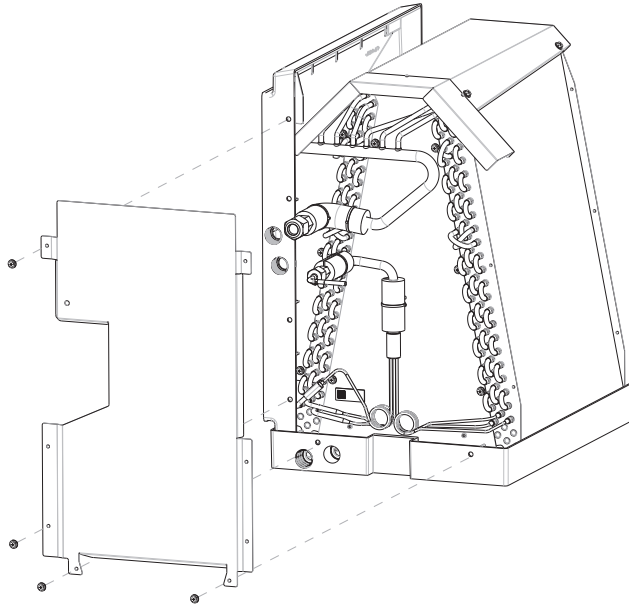
**Paso 4:** Fije el intercambiador de calor a la bandeja colectora principal con los 4 tornillos.



La unidad PAA se ve invertida para mostrar cómo se instalan los 4 tornillos.



**Paso 5:** Fije la placa frontal a la bandeja de drenaje principal usando los 4 tornillos.

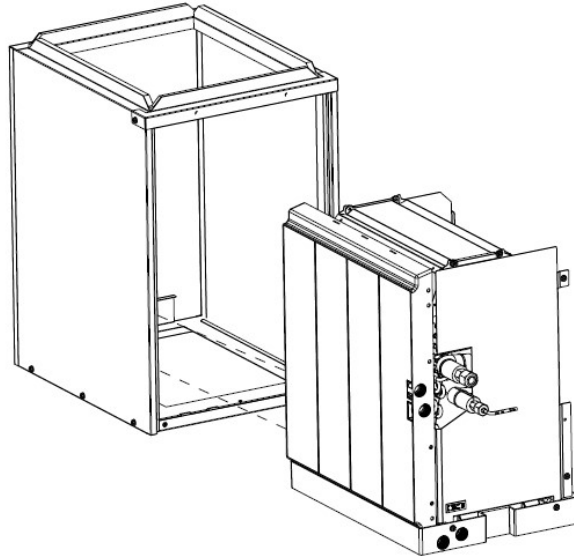


**Paso 6:** Vuelva a insertar el intercambiador de calor en el gabinete. Asegúrese de que las muescas en la parte posterior del recipiente de drenaje principal se enganchen con los dos soportes traseros dentro del gabinete.



### ATENCIÓN

- Tenga extremo cuidado al insertar el intercambiador de calor de nuevo en el gabinete para evitar dañar los cables del termistor.
  - Los cables del termistor dañados pueden provocar un funcionamiento inadecuado o peligroso de la unidad.

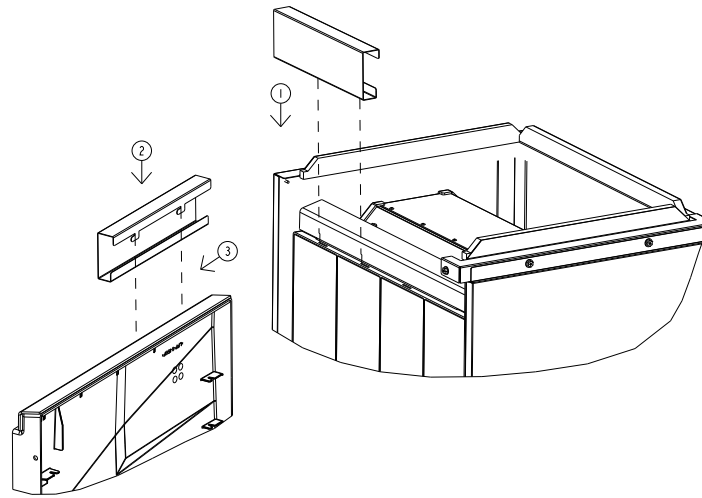


**Paso 7:** Vuelva a colocar la escuadra de soporte de la bandeja colectora lateral.

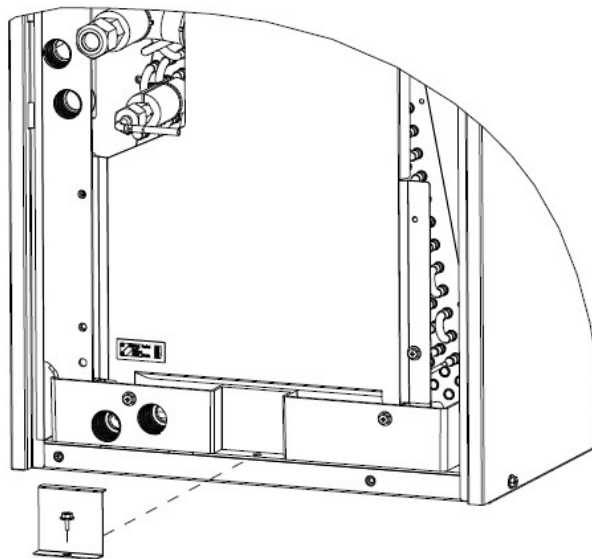


**NOTA**

La escuadra de soporte de la bandeja de drenaje lateral debe instalarse usando los 2 orificios más cercanos a la parte trasera del gabinete mientras el intercambiador de calor está dentro del gabinete. Algunas piezas no se muestran para simplificar la imagen.



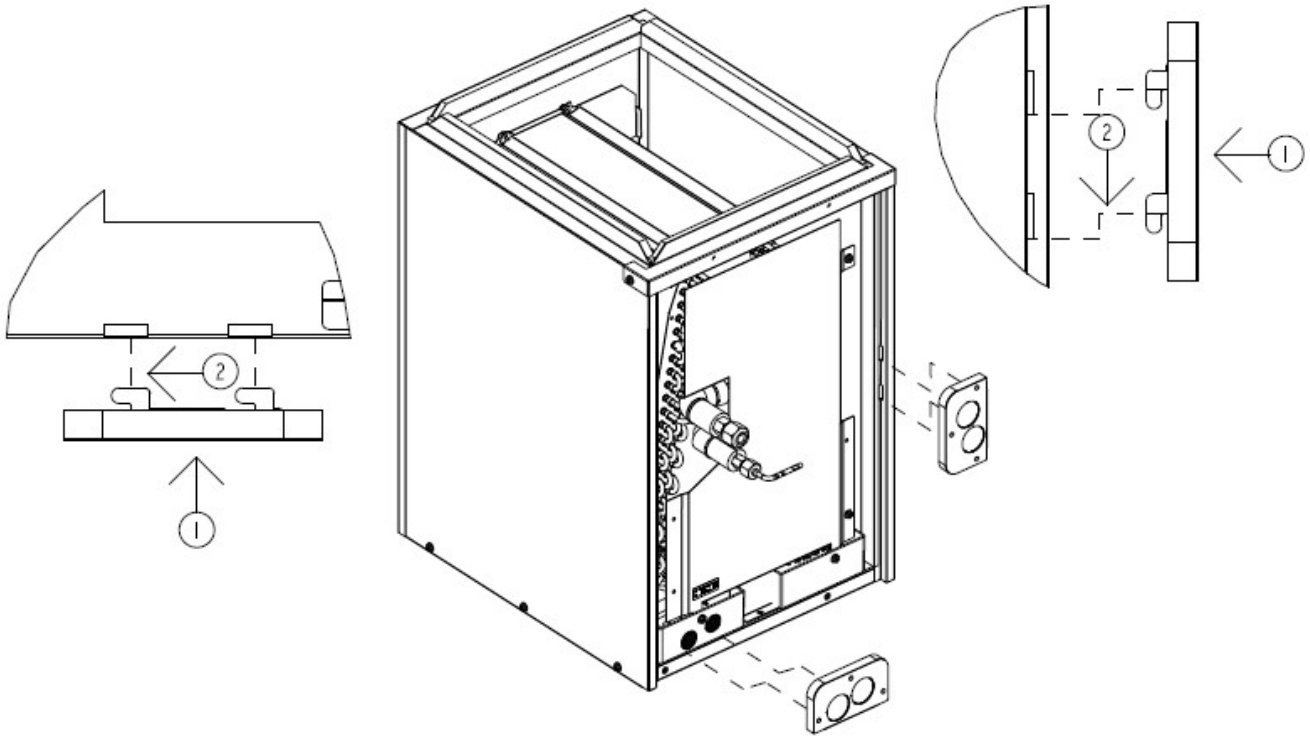
**Paso 8:** Use el tornillo (1) para instalar el soporte en Z delantero para que asegure el intercambiador de calor al gabinete.



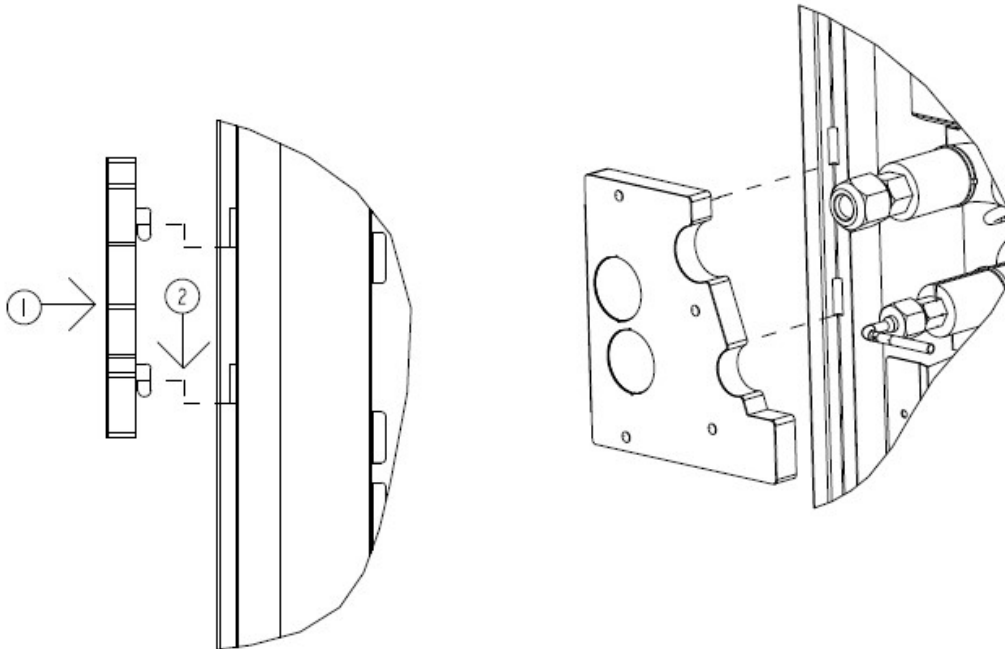
ESPAÑOL



**Paso 9:** Reemplace los 2 paneles laterales (ensamble del panel de tubería lateral).

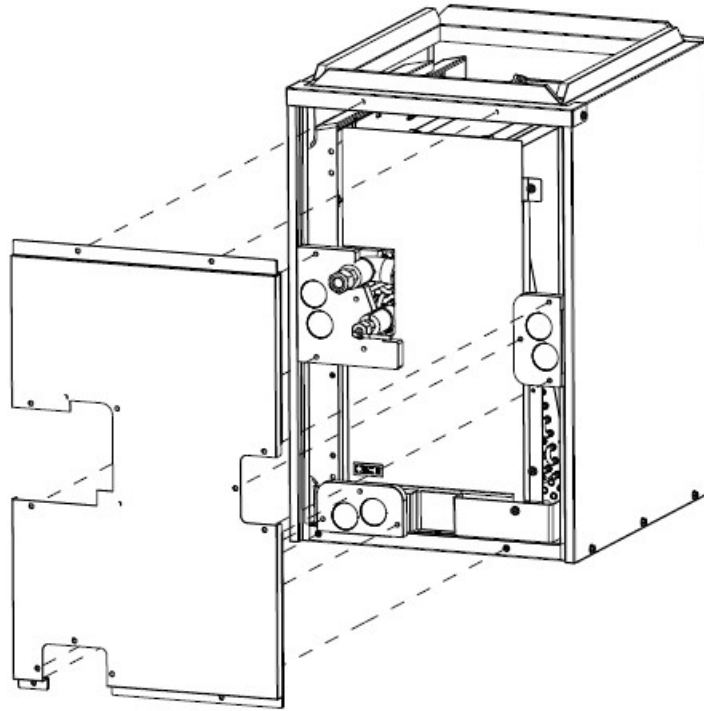


**Paso 10:** Reemplace el panel de tubería (panel de tubería principal).

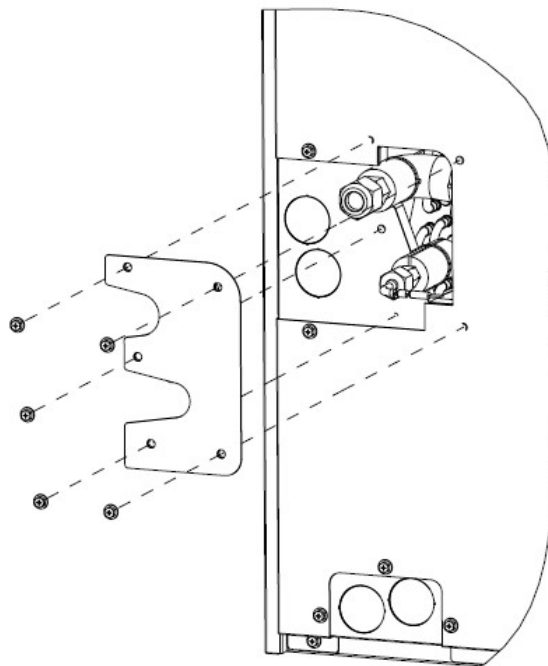


ESPAÑOL

**Paso 11:** Vuelva a colocar el panel frontal con los 12 tornillos. (No se muestran los tornillos).



**Paso 12:** Reemplace el panel del tubo (usando los 5 tornillos).



## 10.4. Instalación horizontal derecha

La unidad PAA se envía de fábrica para una configuración horizontal derecha; no se requieren más cambios.

Si se retira el conjunto del intercambiador de calor, siga los **pasos 1 a 10** (orientaciones verticales: consulte la sección “Instalación de flujo ascendente/flujo descendente”) en orden inverso para volver a colocar el intercambiador de calor en el gabinete.



### ATENCIÓN

#### Requisito de la bandeja de drenaje auxiliar

Debe instalarse una bandeja de drenaje auxiliar sin una línea de drenaje separada debajo del gabinete de la unidad PAA. La bandeja debe tener una profundidad mínima de 1,5 pulgadas (38 mm), no debe ser menos de 3 pulgadas (76 mm) más grande que la unidad o las dimensiones de la bobina en ancho y longitud, y debe estar construida con material resistente a la corrosión. Las bandejas de lámina de acero galvanizado deben tener un espesor mínimo de 0,0236 pulgadas (0,6010 mm). (No utilice el calibre 24). Las bandejas no metálicas deben tener un espesor mínimo de 0,0625 pulgadas (1,6 mm). Esta bandeja debe estar equipada con un dispositivo de detección de nivel de agua que cumpla con la norma UL 508 que apagará el equipo servido antes del desbordamiento de la bandeja. La bandeja debe estar equipada con un accesorio para permitir el drenaje.

## 11. Trabajos sobre la tubería de refrigerante



### NOTA

Para conocer las limitaciones de las longitudes de las tuberías de refrigerante y las diferencias permisibles de las elevaciones, consulte la sección de diseño del manual de ingeniería.

Para obtener información sobre las longitudes máximas de tubería totales para las conexiones de la serie PAA, consulte "Conexión de la serie PAA " en la sección "Antes de comenzar".

El método de conexión de tubería en la unidad PAA es la conexión abocardada.

Proporcione un refuerzo adecuado para las tuberías de refrigerante para que no se aplique carga sobre las conexiones en la unidad PAA.



### AVISO

- Use siempre gafas de seguridad cuando trabaje cerca de dispositivos presurizados.
  - El incumplimiento de los requisitos de seguridad puede provocar lesiones o la muerte, o daños en el edificio.

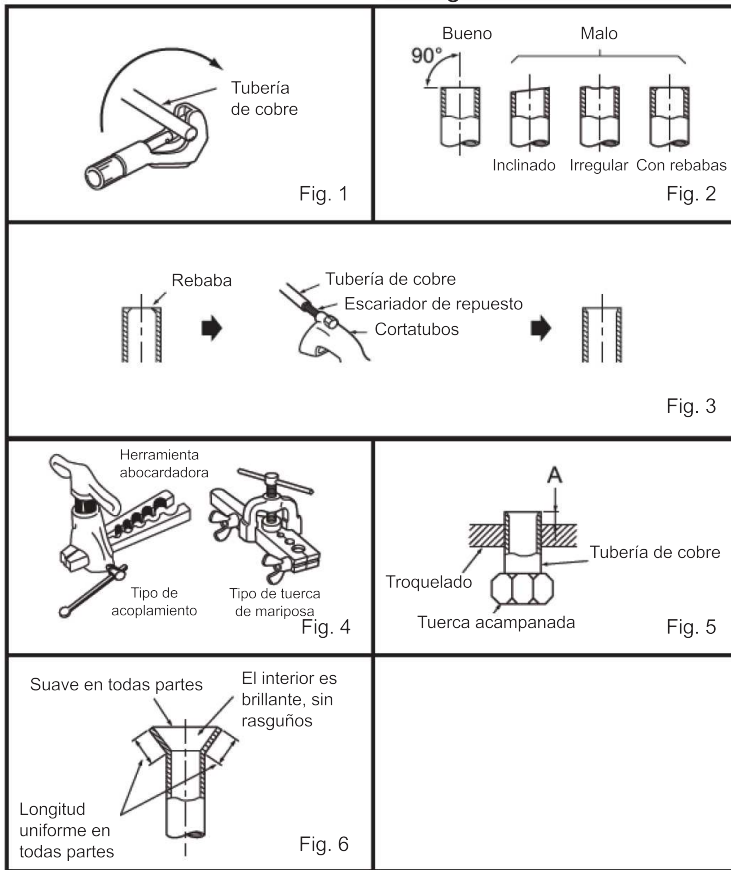


## ATENCIÓN

- Cuando instale o mueva la unidad, no la cargue con ningún refrigerante que no sea el refrigerante especificado en la unidad.
  - La mezcla con aire, un refrigerante diferente, etc., puede provocar un mal funcionamiento del ciclo del refrigerante y provocar daños graves.
- Utilice tuberías de refrigerante hechas de cobre desoxidado con fósforo C12200 (Cu-DHP), como se especifica en la especificación estándar ASTM B280 para el servicio de campo de tubería de cobre sin costuras para aire acondicionado y refrigeración. Además, asegúrese de que las superficies internas y externas de las tuberías estén limpias y libres de azufre peligroso, óxidos, polvo/suciedad, partículas, aceites, humedad o cualquier otro contaminante. Nunca utilice las tuberías de refrigerante existentes.
- Las unidades PAA se envían con una carga de retención de nitrógeno en la bobina. Siga cuidadosamente estas instrucciones al liberar la carga.
  - Retire con cuidado la tuerca cónica del extremo de la tubería para liberar cualquier gas que pueda existir.
  - Ambas líneas de refrigerante deben aislarse hasta el gabinete. Asegúrese de que las aberturas en el gabinete alrededor de las líneas de refrigerante estén selladas. Un aislamiento de 3/8 de pulgada es el espesor mínimo recomendado. Según las condiciones ambientales, los códigos locales y la longitud de la línea, es posible que se requiera un aislamiento más grueso.
  - No coloque aceite en la parte roscada de las tuercas cónicas. Esto puede hacer que la tuerca abocardada se afloje y que ocurra una filtración de refrigerante.

Detalles de la tubería				
Diámetro del tubo pulgadas (mm)	Tuerca (en mm)	Pulgada A (mm) Herramienta de tipo acoplamiento para R410A	Par de apriete N*m	libras*pies (kgf*cm)
1/4 (6.35)	(17)	Entre 0 y 0,02 (entre 0 y 0,5)	Entre 13,7 y 17,7	Entre 10 y 13 (entre 140 y 180)
3/8 (9.52)	(22)		Entre 34,3 y 41,2	Entre 25 y 30 (entre 350 y 420)
1/2 (12.7)	(26)		Entre 49,0 y 56,4	Entre 36 y 42 (entre 500 y 575)
5/8 (15.88)	(29)		Entre 73,5 y 78,4	Entre 54 y 58 (entre 750 y 800)

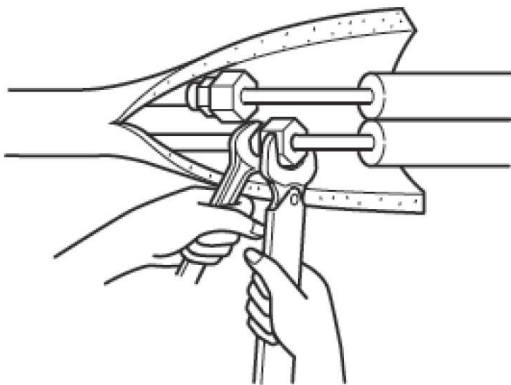
Procesamiento de la tubería de refrigerante



**ATENCIÓN**

Nunca utilice la tubería de refrigerante existente. La gran cantidad de contaminantes en otros refrigerantes y el aceite refrigerante en la tubería existente hará que el nuevo refrigerante se deteriore.

Aplicar el torque apropiado a las tuercas campanadas.



- Almacene la tubería que se utilizará durante la instalación en interiores y mantenga ambos extremos de la tubería sellados hasta justo antes de soldar.
- Si entra polvo, suciedad o agua en el ciclo del refrigerante, el aceite se deteriorará y el compresor podría fallar.
- Use aceite refrigerante para recubrir las uniones abocardadas y las conexiones de brida antes de conectar.

- El refrigerante utilizado en la unidad es altamente higroscópico y se mezcla con agua, lo que degradará el aceite refrigerante.

## 11.1. Aislamiento de las líneas de refrigerante

Para evitar la condensación, proporcione suficiente aislamiento antisudoración a las tuberías de refrigerante y de drenaje. Cuando utilice tuberías de refrigerante disponibles comercialmente, asegúrese de cubrirlas con material aislante con una clasificación de temperatura resistente al calor de más de 100° C (212° F). El espesor recomendado del aislamiento se puede encontrar en la tabla a continuación. Esto se aplica tanto a las tuberías de líquido como a las de gas. Aísle todas las tuberías para interiores con aislamiento de polietileno con una densidad mínima de 0,03 g/cm<sup>3</sup> [2,0 lb/ft<sup>3</sup>] y un espesor como se especifica en la tabla a continuación.

Tamaño del tubo	Grosor del aislamiento
Entre 6,4 mm y 25,4 mm [entre 1/4 y 1 pulg.]	> 10 mm [7/16 in]
Entre 28,6 mm y 38,1 mm [1-1/8 a 1-1/2 pulg.]	> 15 mm [5/8 in]

- Si la unidad se utiliza en el piso más alto de un edificio y en altas temperaturas y alta humedad, es necesario utilizar un aislamiento más grueso que el especificado en la tabla anterior.
- Si hay especificaciones del cliente, sígalas.

## 11.2. Tamaño de la tubería

Modelo	Tubería de líquido	Tubería de gas	Tubo de drenaje
PAA-A18AA1	1/4" <sup>1</sup>	1/2" <sup>2</sup>	Diámetro externo 32 mm (1-1/4 in)
PAA-A18BA1	1/4" <sup>1</sup>	1/2" <sup>2</sup>	Diámetro externo 32 mm (1-1/4 in)
PAA-A24AA1	3/8"	5/8"	Diámetro externo 32 mm (1-1/4 in)
PAA-A24BA1	3/8"	5/8"	Diámetro externo 32 mm (1-1/4 in)
PAA-A30AA1	3/8"	5/8"	Diámetro externo 32 mm (1-1/4 in)
PAA-A30BA1	3/8"	5/8"	Diámetro externo 32 mm (1-1/4 in)
PAA-A36BA1	3/8"	5/8"	Diámetro externo 32 mm (1-1/4 in)
PAA-A36CA1	3/8"	5/8"	Diámetro externo 32 mm (1-1/4 in)
PAA-A42BA1	3/8"	5/8"	Diámetro externo 32 mm (1-1/4 in)
PAA-A42CA1	3/8"	5/8"	Diámetro externo 32 mm (1-1/4 in)

<sup>1</sup> Cuando la unidad PUZ para exteriores esté conectada, utilice una tubería de 3/8" con PAC-493PI para la tubería de líquido.

<sup>2</sup> Cuando la unidad para exteriores PUZ esté conectada, utilice una tubería de 5/8" con PAC-A456JP-E para el tubo de gas.

## 12. Conexiones de drenaje

Ajuste las conexiones de la bandeja de drenaje con los dedos más dos vueltas, pero no más de dos vueltas y media más. Asegúrese de usar un sellador para juntas roscadas. Utilice un sellador que no se endurezca, que sea compatible con plástico y que sea efectivo en temperaturas de hasta 250° F.



### ATENCIÓN

- **El ajuste excesivo de las conexiones de drenaje podría provocar la rotura y falla de la bandeja de drenaje.**
- La bandeja de drenaje se expande o contrae cuando se expone a cambios de temperatura y humedad. **No** envuelva con cinta de teflón o aplique pasta de teflón, lubricante para tuberías u otro sellador para la aplicación de tuberías metálicas para agregar volumen a la junta. Al usar tales tipos de selladores, el agua puede filtrarse fuera de la bandeja de drenaje cuando esta se expande o se contrae. Dichos tipos de selladores también lubrican la rosca, lo que resulta en torsión excesiva y rotura del accesorio.

La unidad PAA contiene dos juegos de conexiones de drenaje FPT de 3/4". Se debe utilizar un conjunto de conexiones cuando se monta la unidad verticalmente y el otro cuando se monta horizontalmente. Cada conjunto contiene un drenaje primario y un drenaje secundario o auxiliar. El drenaje primario es el que está más bajo (incluso con el fondo de la bandeja). El drenaje secundario está en el nivel más alto. Están etiquetados en los dibujos dimensionales descritos en la sección "Dimensiones".

Estas unidades funcionan con una presión positiva en las conexiones de drenaje y, aunque no se requiere una trampa P, se recomienda evitar la pérdida de capacidad. Siga siempre los códigos y estándares locales.

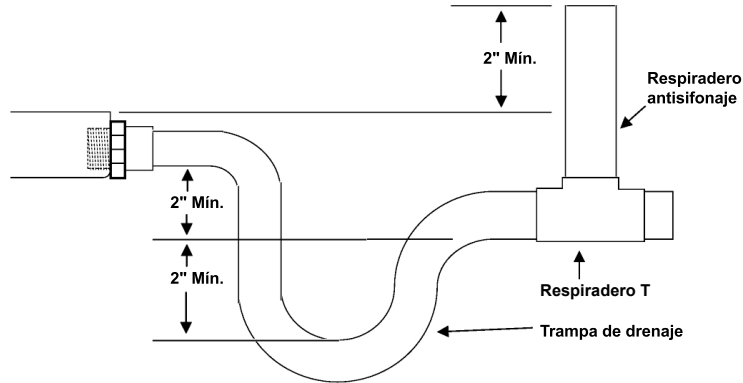
- La trampa debe instalarse lo más cerca posible de la unidad. Asegúrese de que la parte superior de la trampa esté debajo de la conexión con la bandeja de drenaje para permitir el drenaje completo de la bandeja.
- Incline la línea de drenaje un mínimo de 1/4" por pie.
  - No reduzca el tamaño de la tubería de 3/4", ya que esto podría causar un bloqueo prematuro en las líneas.
  - No realizar soldadura fuerte cerca de la tubería de drenaje de plástico.



### NOTA

El uso de un accesorio de conexión de drenaje de gran tamaño podría causar una interferencia con el panel lateral del gabinete.





### Montaje vertical:

Cuando se monta verticalmente, la conexión de drenaje principal del controlador de aire se encuentra en el centro de la unidad. El drenaje ligeramente más alto a la izquierda es el drenaje secundario. Conecte el conector de drenaje y apriete correctamente con sellador e instale la línea de drenaje.



### ATENCIÓN

Si aprieta demasiado la conexión de drenaje, la bandeja de drenaje podría romperse y fallar. La conexión secundaria es para el interruptor de desbordamiento (incluido en la bolsa de accesorios). Este dispositivo apagará la operación de enfriamiento en caso de un bloqueo en la línea de drenaje principal. Consulte la sección de cableado para conectar este dispositivo.

### Montaje horizontal (izquierdo o derecho):

Si la unidad está instalada horizontalmente, retire el orificio ciego en el panel frontal para acceder a las conexiones de la bandeja de drenaje lateral. Conecte el conector como se describió anteriormente y dirija la línea de drenaje. Todas las aberturas verticales de la bandeja colectora deben cubrirse para eliminar la pérdida de aire, lo que disminuirá la capacidad de la unidad.



### ATENCIÓN

**El ajuste excesivo de las conexiones de drenaje podría provocar la rotura y falla de la bandeja de drenaje.** La conexión secundaria es para el interruptor de desbordamiento (provisto en la bolsa de accesorios). Este dispositivo apagará la operación de enfriamiento en caso de que se produzca un bloqueo primario de la línea de drenaje. Consulte la sección de cableado para conectar este dispositivo.

**NOTA**

Los tramos horizontales también deben tener una ventilación de aire anti-sifón (tubería vertical) instalada antes del tramo horizontal para eliminar el atrapamiento de aire. Las líneas de drenaje horizontales deben tener una inclinación mínima de 1/4" por pie. Dirija las líneas de drenaje hacia afuera o hacia un drenaje adecuado. Las líneas de drenaje deben instalarse de manera que no bloqueen el acceso de servicio a la parte delantera de la unidad. El espacio libre de 24" en la parte delantera es para mantenimiento o servicio de rutina.

**NOTA**

Revise las leyes y regulaciones locales antes de conectar la línea de drenaje a un sistema de drenaje existente. Aísle la tubería de drenaje donde el agua condensada pueda causar daños. Una vez finalizada la instalación, es responsabilidad del instalador asegurarse de que la bandeja de drenaje capture toda el agua condensada y que toda el agua condensada se drene correctamente y no ingrese al conducto/sistema.

**ATENCIÓN**

- La tubería de drenaje debe instalarse de acuerdo con las instrucciones del manual de instalación del calentador de gas. Mitsubishi Electric US, Inc. no es responsable de ningún daño causado por la tubería de drenaje integrada realizada entre el calentador de gas y la unidad de PAA.

**ATENCIÓN****Requisito de la bandeja de drenaje auxiliar**

Debe instalarse una bandeja de drenaje auxiliar sin una línea de drenaje separada debajo del gabinete en posición horizontal izquierda/derecha y debajo del calentador en instalaciones verticales de unidades PAA de flujo ascendente/flujo descendente. La bandeja debe tener una profundidad mínima de 1,5 pulgadas (38 mm), no debe ser menos de 3 pulgadas (76 mm) más grande que la unidad o las dimensiones de la bobina en ancho y longitud, y debe estar construida con material resistente a la corrosión. Las bandejas de lámina de acero galvanizado deben tener un espesor mínimo de 0,0236 pulgadas (0,6010 mm). (No utilice el calibre 24). Las bandejas no metálicas deben tener un espesor mínimo de 0,0625 pulgadas (1,6 mm). Esta bandeja debe estar equipada con un dispositivo de detección de nivel de agua que cumpla con la norma UL 508 que apagará el equipo servido antes del desbordamiento de la bandeja. La bandeja debe estar equipada con un accesorio para permitir el drenaje.

## 13. Interruptor flotante



### IMPORTANTE

Se requiere un interruptor flotante para todas las orientaciones de instalación de la unidad PAA.

Para proteger el calentador de gas de la corrosión, Mitsubishi Electric US, Inc. requiere la instalación de un interruptor flotante. Si el interruptor flotante no está instalado, Mitsubishi Electric US, Inc. no se hace responsable de ningún daño ocasionado al calentador.

Inspeccione el interruptor flotante en busca de daños. Si está dañado, obtenga un reemplazo antes de continuar con la instalación.



### NOTA

El interruptor flotante debe instalarse para que el sistema funcione correctamente. Se generará un código de error si el interruptor no está instalado.

El interruptor flotante, también llamado interruptor de seguridad de CA, es un sensor de agua electrónico para su sistema de HVAC. Proporciona al sistema de aire acondicionado la capacidad de detectar el agua que retrocede a la bandeja de drenaje, lo que posiblemente indique un drenaje obstruido. El interruptor flotante apagará el sistema si el nivel de agua alcanza un punto determinado.

El interruptor flotante se instala en la línea de drenaje secundaria del aire acondicionado, y si el agua comienza a acumularse en la línea de drenaje, la bola dentro del interruptor comenzará a flotar. Cuando la bola flota hacia la parte superior de la línea de drenaje, el interruptor transmitirá una señal a la unidad PAA para que se apague, evitando un desbordamiento.

El interruptor flotante se incluye en la bolsa de accesorios indicada como artículo n.o 1 en la sección "Accesorios de unidad para interiores".



**NOTA**

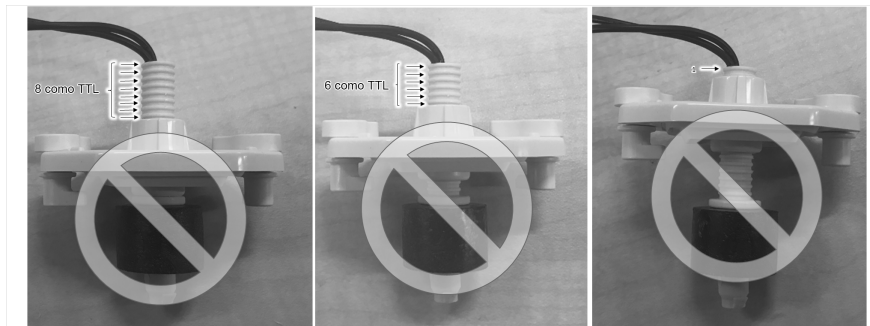
La instalación del interruptor flotante se muestra para la orientación vertical de la unidad PAA.

**Paso 1:** El conjunto del interruptor flotante contiene los siguientes componentes:

- Conjunto de tapa SS2 (con flotador y cable)
- Carcasa SS2
- Acoplamiento SS2



**Paso 2:** Asegúrese de que el nivel de detección de agua del interruptor flotante esté a 3 anillos de altura. Esto indica que el nivel de instalación del interruptor flotante es correcto y no requiere más ajustes.



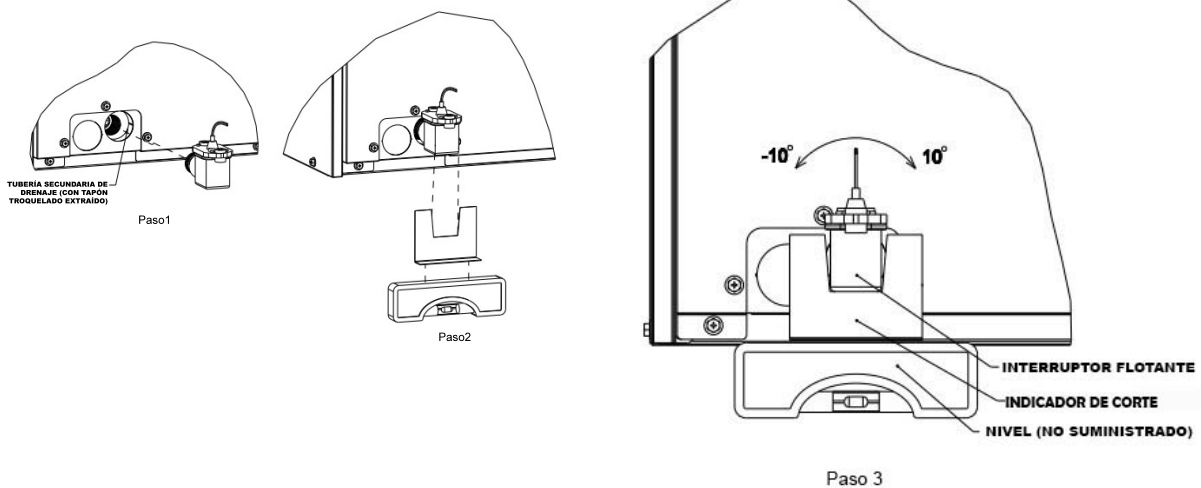
ESPAÑOL

**Paso 3:** Instale el interruptor en la bandeja colectora, como se indica a continuación. Utilice el calibre de corte (incluido en el capítulo "Calibre de corte") para asegurarse de que el interruptor flotante esté nivelado.



### NOTA

Cuando la tapa del SS2 esté conectada a la carcasa del SS2, asegúrese de que los dos bloqueos de leva estén en la posición de bloqueo como se describe en el manual de instalación del SS2.



### IMPORTANTE

Asegúrese de que el vástago esté lo más vertical posible, a un ángulo de no más de 10 grados de la orientación vertical.

Para que el interruptor flotante funcione correctamente, compruebe que el interruptor flotante esté orientado como se muestra en la imagen anterior. Utilice un nivel para asegurarse de que el interruptor flotante esté orientado correctamente, como en la imagen.

**Paso 4:** Conecte el conector JST, preconectado al interruptor, al CN4F en el panel de control, como se muestra en la sección "Conexión del interruptor de seguridad de desbordamiento de condensado (CN4F)".



### ATENCIÓN

Cuando instale el interruptor flotante, tenga en cuenta los siguientes posibles problemas de pérdida de agua:

- entre la carcasa del SS2 y el acoplamiento del SS2
- entre el tornillo de la bandeja de drenaje y el acoplamiento SS2

Consulte [www.rectorseal.com](http://www.rectorseal.com) para ver ADVERTENCIAS, PRECAUCIONES y AVISOS en relación al interruptor flotante, antes de instalarlo. El interruptor flotante está hecho de PVC. Una temperatura de descarga del calentador extremadamente alta puede dañar el interruptor flotante. Mitsubishi Electric US, Inc. no se hace responsable de los daños causados por el interruptor flotante causados por el calor del calentador de gas.

Si se agrega una extensión al tubo de drenaje, asegúrese de que el interruptor flotante pueda detectar de manera segura las condiciones de desbordamiento. Si el nivel de detección de agua del interruptor flotante es mayor que el nivel de desbordamiento de la bandeja de drenaje, Mitsubishi Electric US, Inc. no se hace responsable por los problemas de pérdidas de agua o daños en el calentador de gas, causados por pérdidas de agua de la unidad PAA.

## 14. Instalación de la caja de control

La función principal de la caja de control es controlar el funcionamiento de un sistema de calefacción y aire acondicionado.

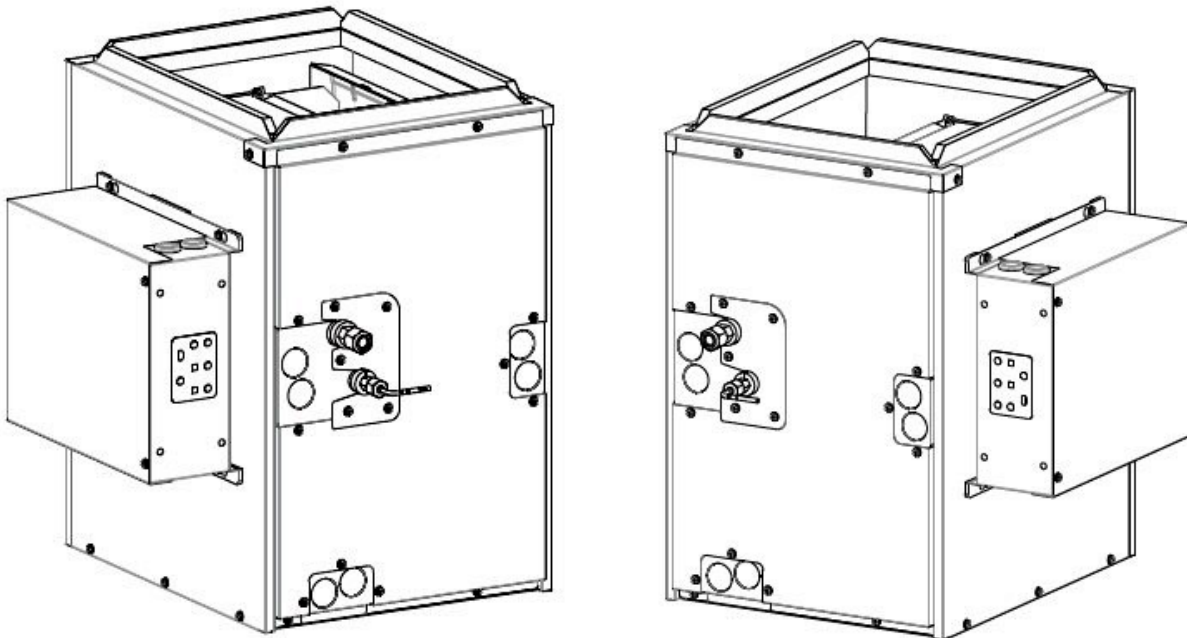
La caja de control se envía con la unidad PAA y se puede instalar en el gabinete como se muestra a continuación o externamente (no unido al gabinete) en un lugar designado por el cliente.

Si se instala en el gabinete, la caja de control debe instalarse en la ubicación designada, según la orientación de la unidad PAA.



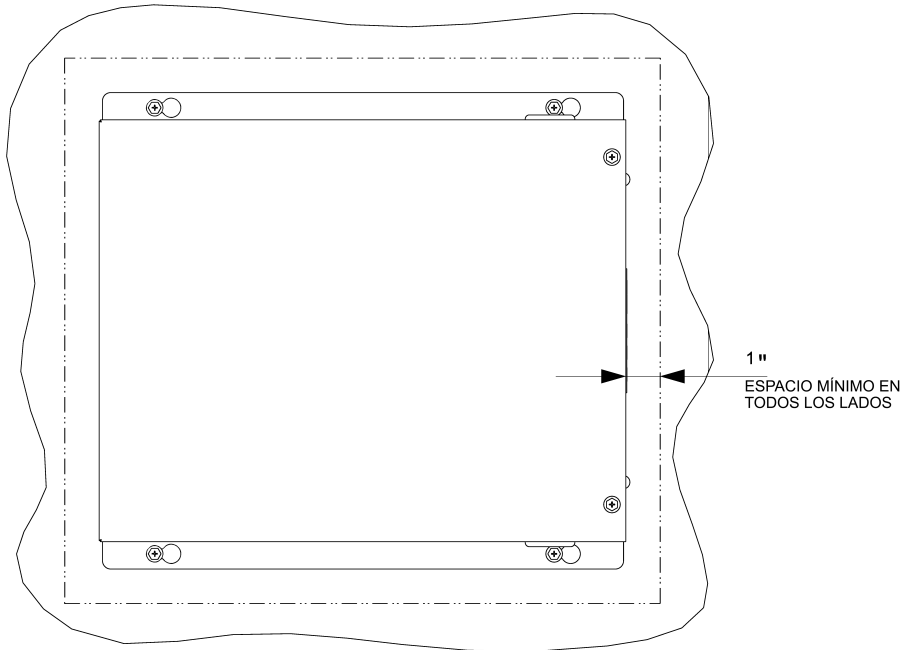
### NOTA

Orientaciones recomendadas de la caja de control en el gabinete, como se muestra a continuación.



Se debe tener en cuenta lo siguiente al decidir sobre una ubicación para instalar la caja de control:

- La caja de control debe instalarse al menos a 1 pulgada del borde de la superficie, como se muestra a continuación.
- La superficie debe ser plana.
- El área de superficie no debe tener cortes ni depresiones.



## 14.1. Caja de control - instalación en el gabinete

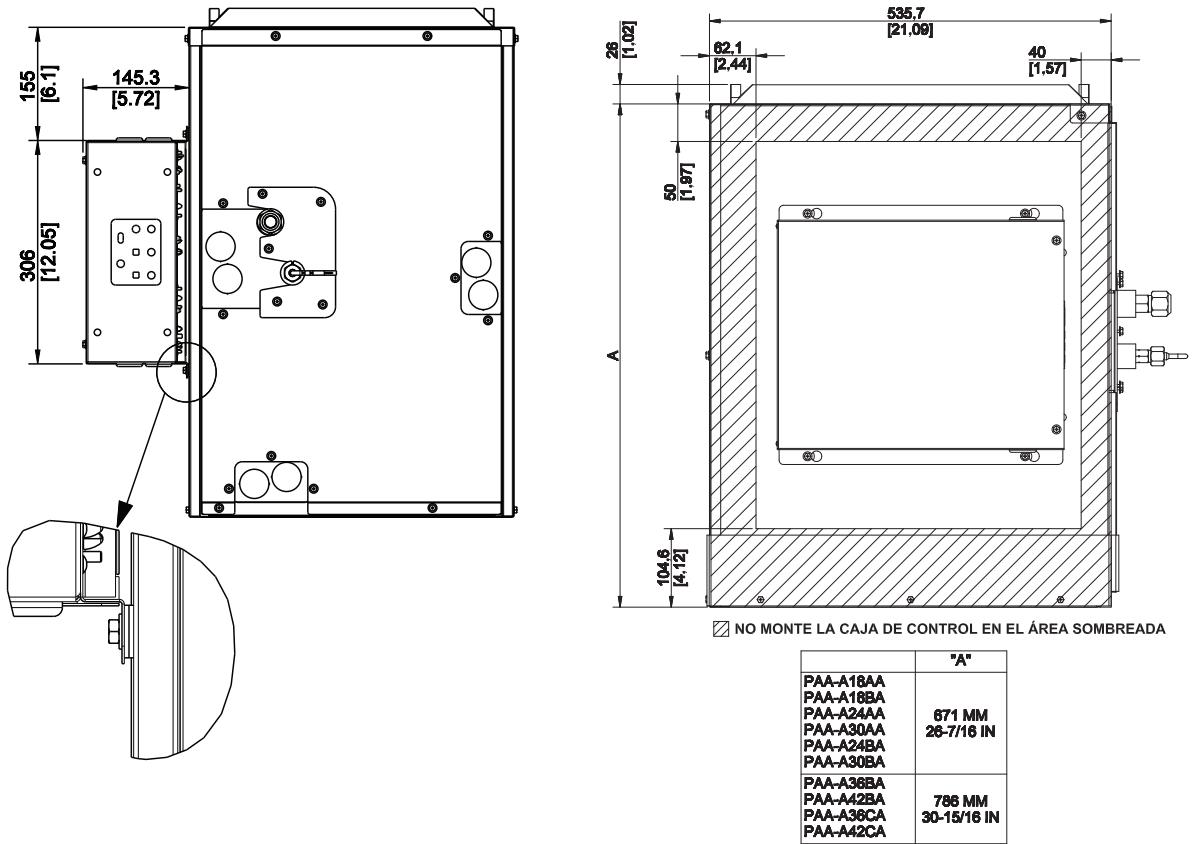


### NOTA

- La caja de control puede montarse en el lado izquierdo o derecho del gabinete. Sin embargo, las dimensiones de posicionamiento de la caja de control son las mismas.
- Para entornos en los que la temperatura ambiente del punto de rocío supere los 73° F (23° C), si la caja de control debe montarse en el gabinete de la unidad PAA, realice el tratamiento adecuado en el gabinete de la unidad PAA, como envoltura de conductos, **antes** de conectar la caja de control al gabinete de la unidad PAA.



Asegure la caja de control con los tornillos M5 provistos en la bolsa de accesorios, taladrando cuatro orificios piloto de 3/16 in como se indica en el área permitida a continuación. Coloque las arandelas, suministradas en la bolsa de accesorios, entre la caja de control y el gabinete.



### NOTA

- Haga coincidir los orificios de perforación (4) por disposición.
- Perfore únicamente la lámina metálica. Perforar más en profundidad puede dañar la bobina.
- Las arandelas, suministradas en la bolsa de accesorios, deben instalarse entre la caja de control y el gabinete para crear un espacio entre estos dos elementos.



### ATENCIÓN

Cuando la temperatura ambiente del punto de rocío supera los 73° F (23° C), puede producirse condensación de rocío en la superficie de la unidad PAA. Sin un espacio entre la caja de control y el gabinete de la unidad PAA, la condensación de rocío puede penetrar en la caja de control y provocar daños o fallas en la unidad.

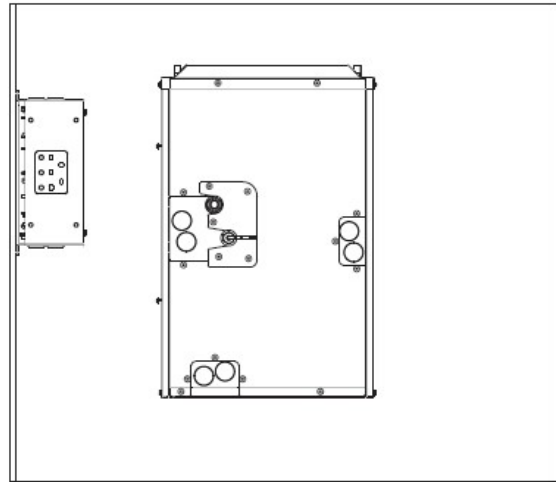
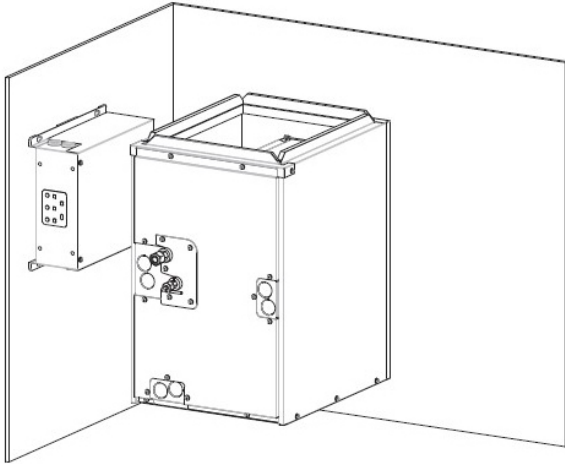
## 14.2. Caja de control - instalación externa



### NOTA

El montaje de la caja de control en una pared segura cerca del gabinete es un método de montaje aceptable.

Si la caja de control se va a instalar en una ubicación alternativa, es responsabilidad del instalador asegurar la caja de control correctamente y asegurarse de que todo el cableado entre la caja de control y el gabinete llegue y esté seguro. La distancia entre el gabinete y la caja de control está limitada por la longitud de los cables del termistor (aproximadamente 3 metros) que vienen instalados en el gabinete. Considere esto al ubicar la caja de control desde el gabinete.



## 15. Cableado eléctrico

### 15.1. Advertencias y precauciones



#### AVISO

El trabajo eléctrico debe ser realizado por un distribuidor, contratista o técnico con certificaciones requeridas por las leyes y los códigos de acuerdo con las “Normas de ingeniería para la instalación eléctrica” y los manuales de instalación suministrados. Si el circuito de alimentación carece de capacidad o tiene una falla de instalación, esto puede causar un riesgo de descarga eléctrica o incendio.

- Siga los requisitos del código local y nacional al cablear la unidad PAA y conectar las unidades y los controles exteriores.
- Instale la unidad de manera que se evite el contacto directo entre cualquiera de los cables del circuito de control (controlador remoto, cables de transmisión) y el cable de alimentación fuera de la unidad.
- Al dimensionar el cable y completar las conexiones eléctricas durante la instalación, siga los códigos y estándares locales. Asegure las conexiones de modo que la fuerza externa del cable no se aplique a los terminales.
- Algunos cables (alimentación, control remoto o transmisión) por encima del techo pueden resultar dañados por causa de accidentes o animales. Utilice el conducto tanto como sea posible para evitar daños.
- Nunca conecte el cable de alimentación a los conductores de los cables de transmisión. Los cables se romperán.
- Asegúrese de conectar los cables de control a la unidad interior, al controlador remoto y a la unidad exterior.
- Realice el cableado de conformidad con las regulaciones de seguridad detalladas en UL 1995.
- Antes de la instalación, asegúrese de que el calentador esté correctamente conectado a tierra.



#### AVISO

Asegúrese de conectar a tierra el gabinete de la unidad PAA y la caja de control. No conecte el cable de conexión a tierra a ninguna tubería de gas, tubería de agua, pararrayos o cable de tierra del teléfono. Una conexión a tierra incompleta puede generar un riesgo de descarga eléctrica. Si el cable de alimentación está dañado, debe ser reemplazado por el fabricante, el personal de servicio o una persona autorizada para evitar un peligro.

**Especificaciones de E/S externas****ATENCIÓN**

Asegúrese de cumplir con los siguientes requisitos para todas las unidades y equipos conectados a la unidad PAA. De lo contrario, se podría dañar la unidad.

- El cableado debe estar cubierto por un tubo aislante con aislamiento suplementario.
- Utilice relés o interruptores que cumplan con IEC o un estándar equivalente.
- La fuerza eléctrica entre las piezas accesibles y el circuito de control debe ser de 2750 V o más.

**Cableado**

**El cableado eléctrico a la caja de control de la unidad PAA provendrá de la unidad exterior. Consulte las instrucciones de instalación para la unidad exterior.**

**NOTA**

La unidad PAA no admite sistemas de calefacción eléctrica complementarios.

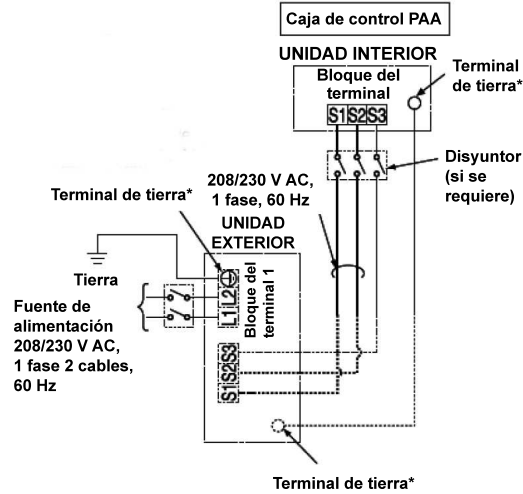
**15.2. Tensión de la línea de conexión****AVISO**

Asegúrese de cumplir con los siguientes requisitos. De lo contrario, pueden producirse resultados como descargas eléctricas, incendios o explosiones.

- **ASEGÚRESE DE QUE LA FUENTE DE ALIMENTACIÓN ESTÉ APAGADA.**
- La unidad debe ser instalada por un electricista/contratista autorizado. Si así lo exigen los códigos nacionales, estatales y locales aplicables, se deberá instalar un interruptor de desconexión cuando la unidad interior sea alimentada desde la unidad exterior.
- El interruptor de desconexión **SIEMPRE** debe estar desconectado al instalar el sistema.

**Comentario:**

× Use un terminal en anillo para conectar un cable de tierra a un terminal.



**NOTA**

Todo el cableado debe cumplir con los códigos nacionales, estatales/provinciales y locales.

**Paso 1:** En la caja de control, retire el orificio ciego deseado.

**Paso 2:** Fije un conector de tubería a la caja de control y dirija el cableado como se muestra en el diagrama anterior. Asegúrese de que el orificio de conexión del conducto sea hermético; agregue un sellador si es necesario.

**Paso 3:** Apriete firmemente todos los tornillos del terminal. Después de ajustar, verifique que los cables estén bien ajustados.

## 15.3. Configuración eléctrica

Tabla de funciones

Modo	N.o de modo	Configuración	N.o de configuración	Configuración inicial	Verificación
Reinicio automático por fallo de energía	1	No habilitado	1	1	
		Habilitado	2		
Detección de temperatura interior	2	Promedio operativo de la unidad interior	1	1	
		Configurado por el controlador remoto de la unidad interior	2		
		Sensor interno del controlador remoto	3		
Voltaje de alimentación	4	240V (230 V)	1	1	
		220V (208 V)	2		
Señal de filtro	7	100 horas	1	3	
		2500 horas	2		
		No hay indicador de señal de filtro	3		
Control del humidificador	13	El humidificador no es compatible (La salida CN25 está ENCENDIDA si la entrada CNF tiene 12V CC aplicados o si hay una solicitud de protocolo IT de "CN25 periférico ENCENDIDO" relevante a través del CN105, independientemente del modo o la configuración).	1	2	
		Compatible con el humidificador	2		
	16 (se aplica si Modo)	Funcionamiento térmico y termostato ENCENDIDO	1	1	
		Funcionamiento de calor	2		

Modo	N.o de modo	Configuración	N.o de configuración	Configuración inicial	Verificación
	13 = 2)				
Ventilador de 1 o 2 velocidades	23 <sup>1</sup>	La salida de velocidad del ventilador envía señales G e Y al calentador	1 <sup>2</sup>	1	
		La salida de velocidad del ventilador envía señales Y1 y Y2 al calentador	2 <sup>3</sup>		

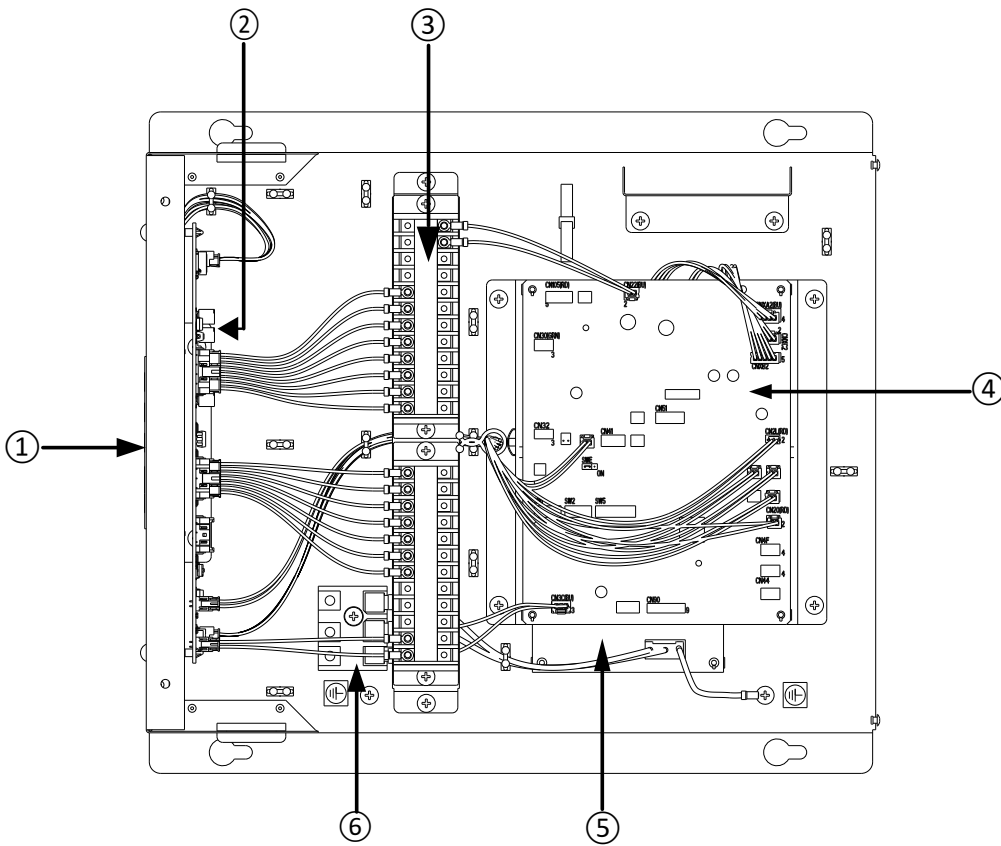
<sup>1</sup> Después de cambiar la configuración del Modo 23, debe apagar y encender el sistema para que el cambio tenga efecto de manera confiable.

<sup>2</sup> Si se conecta a un calentador con solo una velocidad de ventilador para enfriamiento representada por Y, establezca Modo 23 = 1.

<sup>3</sup> En los calentadores que tienen Y1 e Y2, el uso del modo de 2 velocidades (modo 23=2) utiliza dos velocidades de ventilador mientras se calienta o se enfría con la bomba de calor. Estos calentadores también pueden configurarse para la operación de una velocidad del ventilador (modo 23=1) durante el calentamiento y enfriamiento con la bomba de calor que solo enciende G en modo Seco, lo que reduce la velocidad del ventilador y elimina más humedad en modo Seco.

## 15.4. Caja de control de la unidad PAA

### Componentes de la caja de control

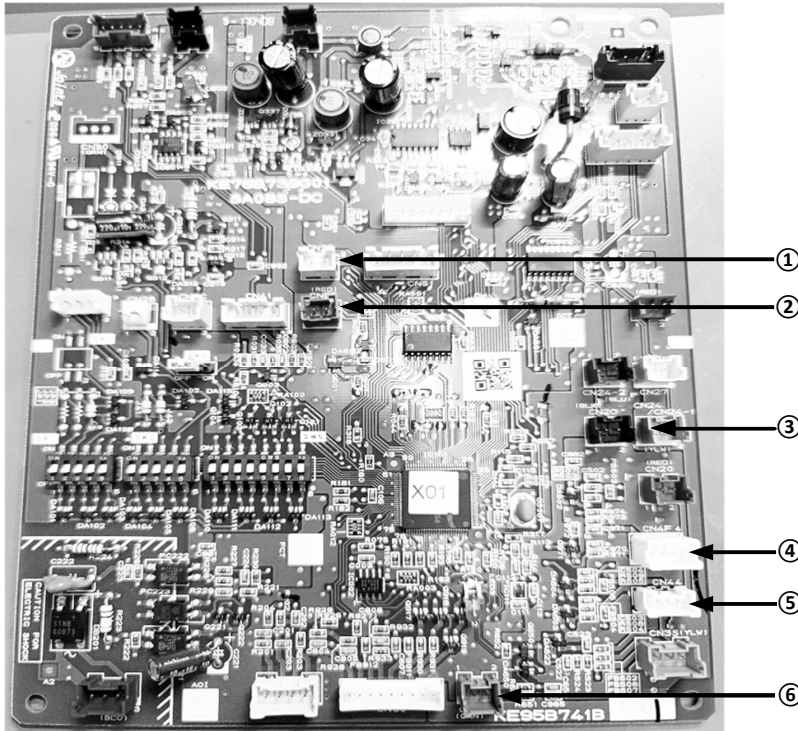


- ① Interfaz de usuario
- ② Placa de relés
- ③ Bloques de terminales
- ④ Tablero de control
- ⑤ Tablero de alimentación (debajo del tablero de control)
- ⑥ Bloque de terminales de entrada de CA

ESPAÑOL



### Conexiones instaladas en campo



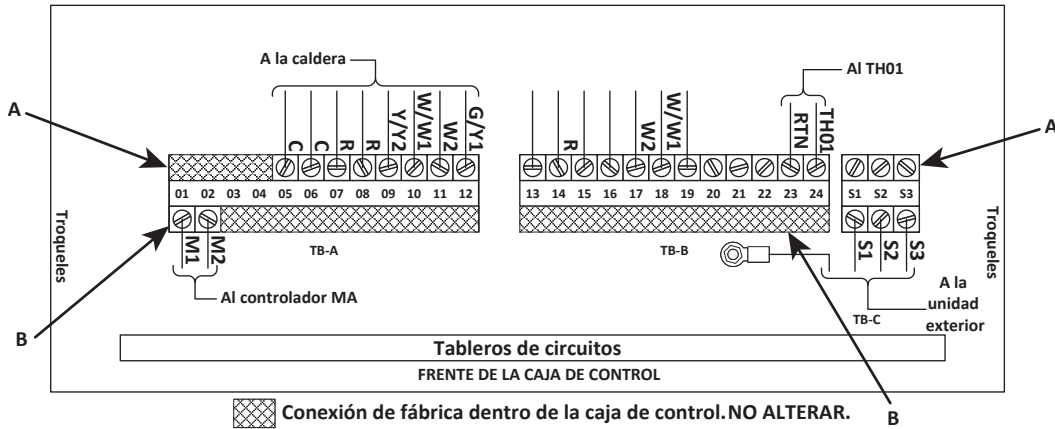
- ① CN25: Salida del humidificador (color del conector: blanco)
- ② CNER: Entrada de ERV (color del conector: rojo)
- ③ CN2C: Salida de ERV (color del conector: negro)
- ④ CN4F: interruptor flotante (color del conector: blanco)
- ⑤ CN44: temperaturas de tubería TH02 y TH05 (color del conector: blanco)
- ⑥ CNF: Entrada del humidificador (color del conector: verde)



#### NOTA

El interruptor flotante puede utilizarse en cualquier orientación del gabinete, pero se requiere expresamente en la orientación vertical.

**Pines del bloque de terminales (salida)**



Pasa dor	Señal	Pasa dor	Señal
1B	Bus de comunicación MA M1. Color del cable: azul	13A	Sin usar
2B	Bus de comunicación MA M2. Color del cable: blanco	14A	Señal R a termostato no ajustable (NAT) (24 VCA caliente) Color del cable: rojo
3 A/B	Sin usar	15A	Sin usar
4 A/B	Sin usar	16A	Sin usar
5A	Señal C al calentador (retorno de 24 VCA). Color del cable: celeste, cian o negro	17A	Señal W2 a conexión opcional a NAT (puede conectarse a W1 para encender ambas etapas del calentador cuando lo solicite la NAT) (segunda etapa de calentamiento). Color del cable: marrón
6A	Señal C al calentador (retorno de 24 VCA). Color del cable: celeste, cian o negro	18A	Señal W1 a NAT (primera etapa de calentamiento). Color del cable: blanco
7A	Señal R al calentador (24 VCA caliente). Color del cable: rojo	19A	Sin usar
8A	Señal R al calentador (24 VCA caliente). Color del cable: rojo	20 A/B	Sin usar
9A	Señal Y/Y2 a la señal Y (color de cable: amarillo) del calentador en un ventilador de 1 velocidad o para señal Y2 (color de cable: azul) del calentador en un ventilador de 2 velocidades.	21 A/B	Sin usar

ESPAÑOL

<b>Pasa dor</b>	<b>Señal</b>	<b>Pasa dor</b>	<b>Señal</b>
10A	Señal W1 al calentador (primera etapa de calentamiento). Color del cable: blanco	22 A/B	Sin usar
11A	Señal W2 al calentador (segunda etapa de calentamiento). Color del cable: marrón	23A	RTN (sensor de temperatura del aire de retorno). Color del cable: blanco
12A	Señal G/Y1 a señal G (color del cable: verde) del horno en el horno de 1 velocidad o para señalar G e Y1 (cable color: amarillo) en horno de 2 velocidades.	24A	Sensor de temperatura del aire de retorno TH01. Color del cable: negro

<b>Líneas de la unidad exterior a la unidad interior</b>	<b>Descripción</b>
Terminal S1	Línea de entrada de energía principal a la unidad interior desde la unidad exterior.
Terminal S2	Línea de retorno o neutral a la unidad interior desde la unidad exterior.
Terminal S3	Bus de comunicación entre la unidad exterior y la unidad interior.

## 15.5. Señales de control al calentador

Las señales de control al calefactor son las señales de control estándar del termostato R, C, W1, W2, Y/Y2 y G/Y1.

Línea/ Terminal/ Señal	Uso
R	Proporciona alimentación de 24V CA desde el calentador hasta el tablero de relés y un número limitado de dispositivos conectados a el tablero de relés (rango de voltaje de entrada de CA requerido: $23 V_{RMS}$ a $30 V_{RMS}$ ).
C	El cable común 24V CA entre el calentador y el tablero de relés.
W1	Primera etapa de la línea de comandos del calentador desde el tablero de relés hasta el calentador.
W2	Segunda etapa de la línea de comandos del calentador desde el tablero de relés hasta el calentador. El W2 no puede estar activado a menos que el W1 ya esté activado.
G/Y1	Para la configuración de 1 velocidad (modo 23=1), concite esta señal a G del horno. Para la configuración de 2 velocidades (Modo 23 = 2), conecte esta señal a G e Y1 del calentador. La señal G/Y1 se energiza en los modos Cool (Enfriamiento), Dry (Seco), Heat (Calor) o Fan (Ventilador) siempre que el ventilador este encendido. Esta señal también se energiza, según se configura, en coordinación con el humidificador y ERV/HRV.
Y/Y2	Para la configuración de 1 velocidad (Modo 23 = 1), conecte esta señal a la conexión Y en el calentador. En esta configuración, la señal Y/Y2 se enciende cuando se solicita el ventilador mientras se está en el modo Enfriamiento o en el modo Calor usando la bomba de calor. Para la configuración de 2 velocidades (Modo 23 = 2), conecte esta señal a Y2 en el calentador. En esta configuración, la señal Y/Y2 se enciende de la siguiente manera: <ul style="list-style-type: none"> <li>• En modo Ventilador, modo Enfriamiento o modo Calor con bomba de calor cuando se solicita un ventilador de alta velocidad.</li> <li>• En modo Ventilador automático<sup>1</sup> y modo Enfriamiento, la señal pasa a alta velocidad cuando la diferencia entre la temperatura ambiente y la temperatura del punto de ajuste es superior o igual a 2° C. La señal vuelve a la velocidad baja cuando la diferencia de temperatura es inferior a 1° C.</li> <li>• En modo Ventilador automático<sup>1</sup> y el modo de calor con la bomba de calor, la señal pasa a alta velocidad cuando la diferencia entre la temperatura ambiente y la temperatura del punto de ajuste es superior o igual a 1° C durante 3 minutos. La señal vuelve a baja velocidad cuando la diferencia de temperatura es menor o igual a 0.5° C.</li> </ul>

<sup>1</sup> Requiere PUZ/PUY

Para operar con la unidad PAA, los hornos deben tener cuatro conexiones mínimas: R, C, W y G.

- En los calentadores que solo tienen W y no tienen W2, conecte W1 del bloque del terminal a W del calentador y no realice ninguna conexión con el cable de señal W2.
- En los hornos que no tienen Y, configúrelos para el modo de 1 velocidad y no haga ninguna conexión con el cable de señal Y/Y2. En los hornos que tienen Y (pero no Y2), configure para el modo de 1 velocidad y conecte G/Y1 a G del horno y Y/Y2 a Y del horno.
- En los calentadores que tienen Y1 e Y2, el uso del modo de 2 velocidades utiliza dos velocidades de ventilador mientras se calienta o se enfría con la bomba de calor. Estos calentadores también pueden configurarse para la operación de una velocidad del ventilador, que enciende solo G en modo Seco, lo que reduce la velocidad del ventilador y elimina más humedad en modo Seco. Para configurar en modo de ajuste de 1 velocidad, establezca el modo 23=1 y conecte G/Y1 a G del calentador y Y/Y2 a Y1 e Y2 del calentador. Para configurar en modo de ajuste de 2 velocidades, ajuste el modo 23=2 y conecte G/Y1 a G e Y1 del calentador y Y/Y2 a Y2 del calentador.

Además:

- Los cables del termistor TH02 y TH05 de la bobina de la IDU se deben conectar al conector CN44 en el tablero de control.
- Los cables del termistor TH01 deben conectarse a las conexiones 23A y 24A en el bloque de terminales de la caja de control de la unidad PAA.

(Vea las imágenes "Conectores instalados en campo" y "Pines del bloque terminal (salida)" en la sección "Caja de control de la unidad PAA".)



### AVISO

**Asegúrese de cumplir con los siguientes requisitos. De lo contrario, pueden producirse resultados como descargas eléctricas, incendios o explosiones.**

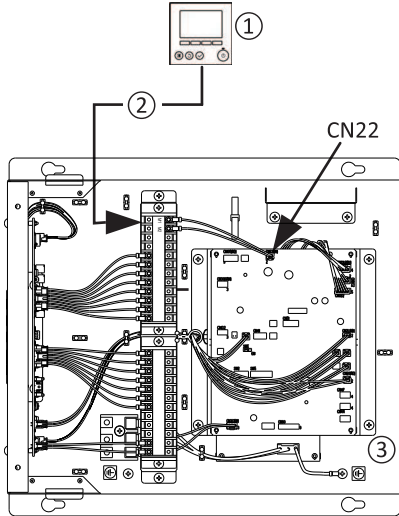
- **Dé terminación a todos los cables sin usar con tuercas individuales para cables para evitar cortocircuitos accidentales.**
- **No conecte entre sí o a otros elementos las líneas sin usar.**

## 15.6. Opciones de control de unidad PAA

- Controlador remoto MA
- Opciones de conexión del terminal de TI

### 15.6.1. Controlador remoto MA

La placa de control de la unidad PAA puede controlarse mediante un controlador remoto MA (de 2 cables no polarizados) que está conectado al bus MA. Conecte los cables blanco y azul del controlador remoto a las conexiones 1B y 2B en el bloque de terminales de la caja de control.



- ① Controlador remoto MA
- ② Bus MA (CN22: puerto de comunicaciones de bus MA)
- ③ Caja de control de la unidad PAA



#### ATENCIÓN

Asegúrese de que el cableado no quede apretado al colocar la cubierta de la caja de control. Apretar el cableado puede cortarlo o causar un cortocircuito accidental.



#### ATENCIÓN

Instale el cableado de modo que no esté apretado ni bajo tensión. El cableado bajo tensión puede romperse o sobrecalentarse y quemarse. Fije el cableado de la fuente de alimentación a la caja de control utilizando un buje de amortiguación o una fuerza de tracción mínima. (Conexión PG o similar). Conecte el cableado de la transmisión al bloque de terminales de la transmisión a través del orificio ciego de la caja de control usando un buje común.



#### ATENCIÓN

Instale el cableado de modo que no toque la placa ni las piezas circundantes. El cableado que toca las piezas circundantes puede cortarse debido a la operación a largo plazo.

**AVISO**

No utilice otra cosa que el disyuntor de capacidad y el fusible correctos. El uso de fusibles, cables o cables de cobre con una capacidad demasiado grande puede causar un riesgo de mal funcionamiento o incendio.

Después de terminar el cableado, asegúrese de que no haya tensión en las conexiones y coloque la cubierta de la caja de control en el orden inverso al de la extracción. Además, selle las aberturas creadas a partir del cableado que ingresa a la caja de control. Esto evitará fugas de aire.

**AVISO**

Cablee la fuente de alimentación para que no se transmita tensión. De lo contrario, puede producirse una desconexión, calentamiento o incendio.

**IMPORTANTE**

Conecte el blindaje de puesta a tierra en el terminal de tierra de la unidad exterior.

Si el cable del controlador remoto excede los 10 m [32 pies], utilice un cable de 1,25 mm<sup>2</sup> [AWG16] de diámetro sobre la parte excedida y añada esa posición excedida a menos de 200 m [656 pies] del controlador remoto.

**15.6.2. Opciones de conexión del terminal de TI**

En lugar de un controlador remoto MA, el tablero de control de la unidad PAA también puede controlarse mediante uno de los siguientes controles conectados al terminal de TI a través del CN105:

- Aplicación kumo cloud® a través de Wireless Interface 2 (PAC-USWHS002-WF-2)
- Controlador MHK2
- Combinación de la aplicación kumo cloud y Wireless Interface 2 (PAC-USWHS002-WF-2) con el controlador MHK2

**NOTA**

La unidad PAA es compatible con la aplicación kumo cloud® versión 2.10 y superior.



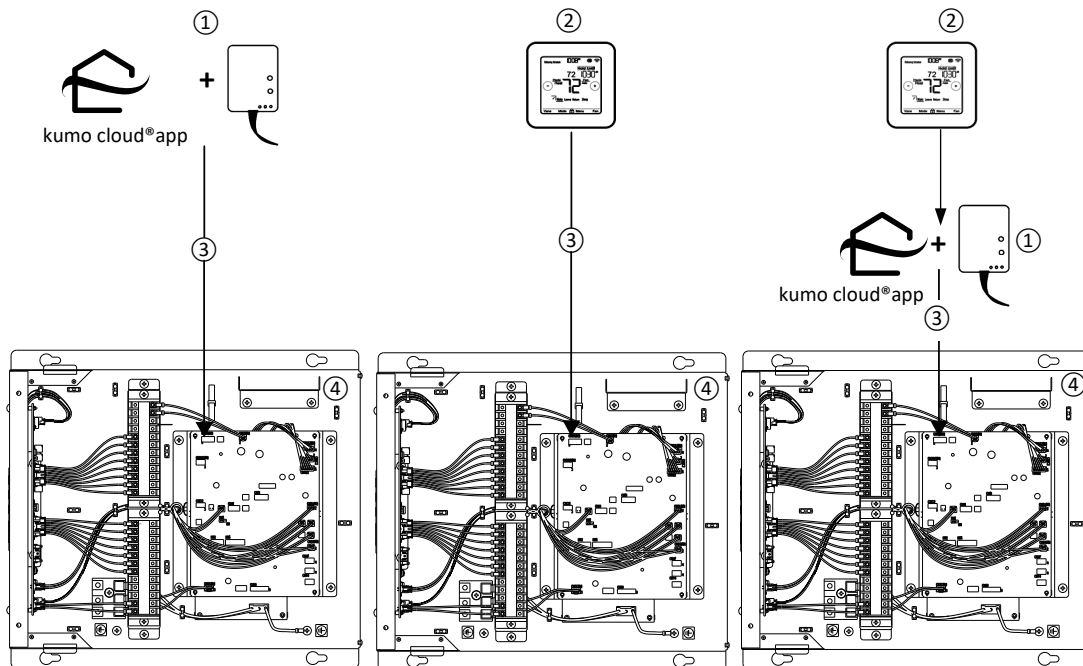
## IMPORTANTE

- Tenga cuidado al instalar Wireless Interface. Asegúrese de que esté fuera de la caja de control y lejos de las superficies metálicas que puedan interferir con la capacidad de la interfaz para comunicarse con el enrutador inalámbrico local.
- El sistema está diseñado para integrar completamente el control del calor de la bomba de calor y el calor del calentador, y no permite el control por parte del usuario del calor de la bomba de calor o del calentador.



## NOTA

Antes de instalar o reparar el sistema, siempre apague la alimentación principal del sistema.



- ① Aplicación kumo cloud + Wireless Interface 2
- ② Controlador MHK2
- ③ Terminal de TI (CN105: puerto de comunicaciones del terminal de TI)
- ④ Caja de control de unidad PAA



## 15.7. Interruptor DIP para termostato de emergencia

Utilizando la configuración del interruptor DIP SW01 en el tablero de relés, puede seleccionar uno de dos modos (Prueba o Emergencia) para operar.

Si el interruptor DIP SW01-4 está en ON [ENCENDIDO], la unidad PAA entra en el modo de prueba. Mientras está en el modo de prueba, el instalador puede usar los botones pulsadores de la interfaz de usuario de la caja de control para establecer W1 y W2 en ON o en OFF [APAGADO]. Vea la imagen "Interfaz de usuario de la caja de control" a continuación.



### AVISO

Para garantizar el funcionamiento adecuado y seguro de la unidad, no salga de la casa mientras el modo de Prueba esté en funcionamiento. De lo contrario, pueden producirse resultados como descargas eléctricas, incendios o explosiones.

Puede configurar el estado inicial (ENCENDIDO o APAGADO) de las señales de calor de prueba W1 y W2 en el modo de prueba. Establecer el interruptor DIP SW01-2 en ON enciende la señal de prueba W1 inmediatamente una vez que el calentador se enciende. De lo contrario, la señal de prueba W1 estará apagada.

Establecer el interruptor DIP SW01-3 en ON enciende la señal de prueba W2 inmediatamente una vez que el calentador se enciende. De lo contrario, la señal de prueba W2 estará desactivada.

Pasos para verificar el funcionamiento del calentador en modo de prueba:

**Paso 1:** Apague el sistema si aún no está apagado.

**Paso 2:** Espere 3 minutos; esto asegura que la unidad esté completamente apagada.

**Paso 3:** Establezca el SW01-4 en ON para el modo de prueba.

**Paso 4:** Encienda el disyuntor de la caldera. Asegúrese de que el disyuntor del sistema de la unidad exterior esté en APAGADO. Ahora está en modo de prueba. Verifique que el indicador de modo de prueba (color rojo) en la interfaz de usuario de la caja de control esté ENCENDIDO.

**Paso 5:** Presione W1 ON en la interfaz de usuario de la caja de control para encender la primera etapa del calor del calentador. Verifique que el ventilador del hogar se encienda junto con el calor del calentador.

**Paso 6:** Presione W2 ON en la interfaz de usuario de la caja de control para encender la segunda etapa del calor del calentador. Verifique que la salida del calentador aumente. Esto solo se aplica a los calentadores con dos etapas. El calentador de una sola etapa no muestra ninguna diferencia.

**Paso 7:** Apague el calentador.

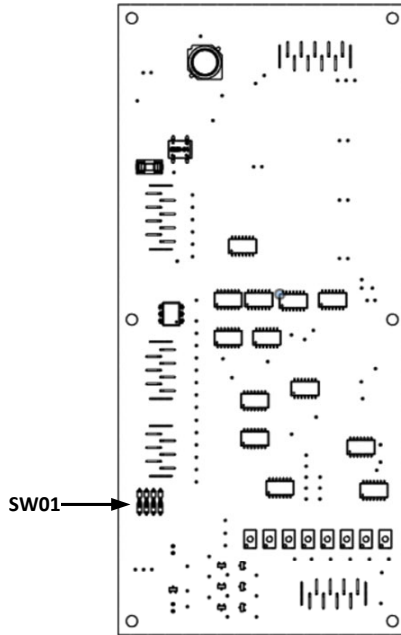
**Paso 8:** Establezca el SW01-4 en OFF para desactivar el modo de prueba.



## NOTA

- El sistema de la unidad PAA entra en el modo de emergencia si todavía se aplica energía a la caldera y (a) la unidad exterior pierde energía o (b) hay un estado de error que no permite el control total del sistema. La unidad PAA permanece en modo de emergencia hasta que la alimentación eléctrica se restablece en la unidad exterior o se resuelve el error.
- Si el interruptor DIP SW01-4 está en OFF, el NAT conectado a la caja de control de la unidad PAA controla el calor aplicado al calentador durante una conmutación por error en el modo de emergencia.

### Configuración de interruptor DIP SW01 del tablero de relés



#### SW01-1 Alimentación al termostato no ajustable

- ON [ENCENDIDO] (predeterminado): Se suministra energía del calentador a la NAT.
- OFF [APAGADO]: Se desconecta la fuente de alimentación desde el calentador hasta la NAT.

#### SW01-2 estado inicial del W1 en modo de Prueba

- ON [ENCENDIDO]: El W1 inicialmente se enciende al entrar en el modo de Prueba.
- OFF [APAGADO] (predeterminado): El W1 inicialmente se desactiva al entrar en el modo de Prueba.



## AVISO

Si SW01-2 y SW01-4 se establecen en ON [ENCENDIDO], la caldera comenzará a calentar inmediatamente ante una pérdida de energía a la unidad exterior.

Por lo tanto, durante la operación o el mantenimiento de la prueba del calentador de gas, asegúrese de encender la unidad exterior antes de encender el calentador. Por el contrario, al apagar el sistema, el calentador debe apagarse antes de apagar la unidad exterior. Si se opera incorrectamente, puede provocar fugas de gas/ envenenamiento, incendio o explosión debido a la operación inesperada del calentador de gas.

#### SW01-3 estado inicial del W2 en modo de Prueba

- ON [ENCENDIDO]: El W2 inicialmente se enciende cuando se entra en el modo de Prueba.
- OFF [APAGADO] (predeterminado): El W2 inicialmente se desactiva al entrar en el modo de Prueba.



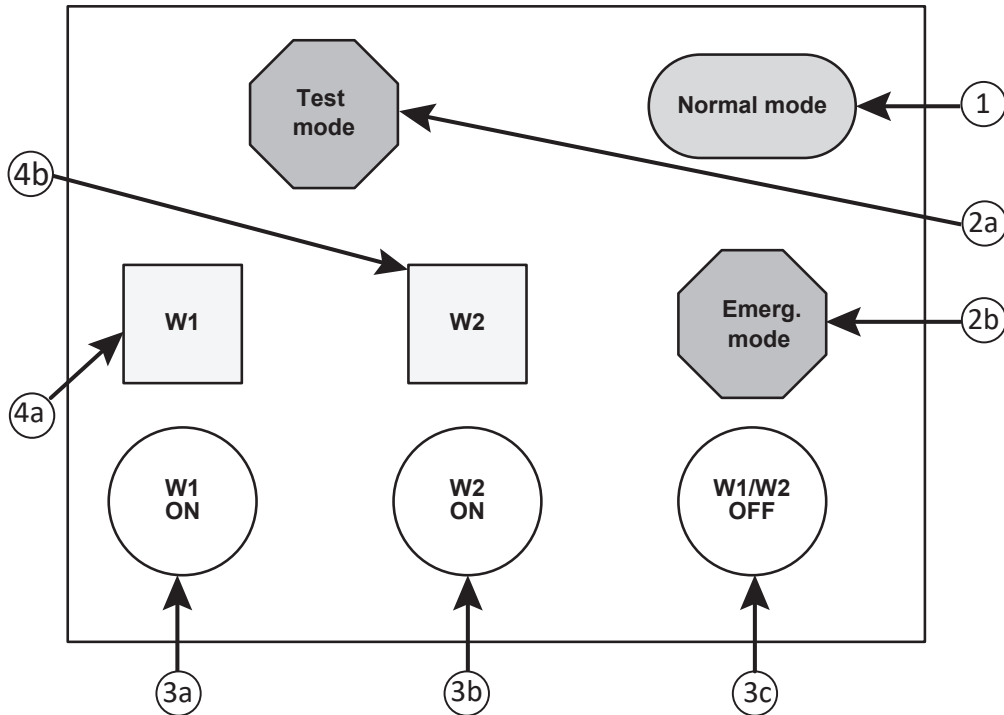
#### **NOTA**

Para habilitar W2, W1 debe estar encendido. De lo contrario, W2 no funcionará.

#### Funcionamiento en modo SW01-4

- ON [ENCENDIDO]: operación en modo de prueba, que se controla mediante botones pulsadores en la interfaz de usuario de la caja de control de la unidad PAA.
- [OFF] APAGADO (predeterminado): operación en modo de emergencia, que es controlada por la NAT.

## Interfaz de usuario de la caja de control



1. Modo normal (color del indicador: verde). Cuando se ilumina, significa que el sistema funciona normalmente.

2a. Modo de prueba (color del indicador: rojo); configuración solo para el instalador.

2b. Modo de emergencia (color del indicador: rojo). Si se ilumina, significa que el sistema está en modo de error. Si es necesario, comuníquese con un distribuidor, contratista o técnico que posea las certificaciones requeridas por las leyes y los códigos.

3a. W1 ON - configuración solo del instalador.

Botón pulsador de modo de prueba (no iluminado, color del botón: blanco)

3b. W2 ON: solo para el instalador.

Botón pulsador de modo de prueba (no iluminado, color del botón: blanco)

3c. W1 y W2 APAGADO: configuraciones de solo instalador.

Botón pulsador de modo de prueba (no iluminado, color del botón: blanco)

4a. Calor de primera etapa (modo de emergencia) (color del indicador: ámbar) - configuración solo para el instalador.

4b. Calor de segunda etapa (modo de emergencia) (color del indicador: ámbar) - configuración solo para el instalador.



### IMPORTANTE

**¡Asegúrese de volver al modo Normal después de completar las verificaciones operativas del modo de prueba!**



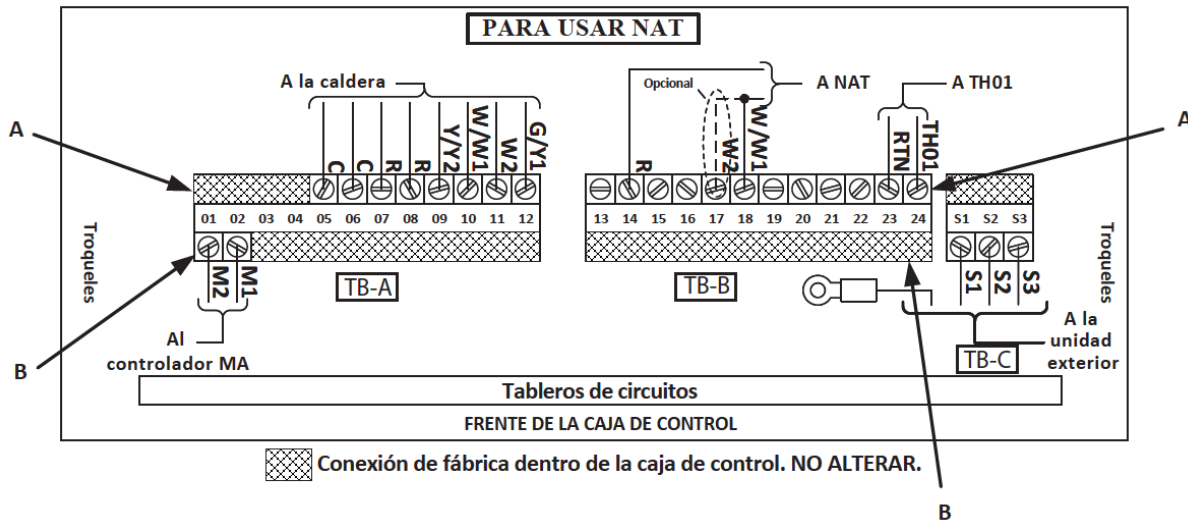
**NOTA**

- Los modos de Prueba y Emergencia no pueden ocurrir al mismo tiempo.
- Para habilitar W2, W1 debe estar activado.

El termostato no ajustable (NAT), un termostato estilo construcción incluido en la bolsa de accesorios, puede utilizarse como termostato de emergencia.

Si utiliza la NAT, instálela en el conducto de aire de retorno junto al termistor TH1 y conecte la NAT entre R y W1 en la caja de control. Para permitir que W1 y W2 se enciendan cuando el termostato de emergencia requiera calor, conecte el W1 y W2 juntos a un lado de la NAT y R a su otro lado.

**Conexión de termostato no ajustable (de emergencia)**



ESPAÑOL

**15.8. Puntos de equilibrio**

La unidad PAA cambia automáticamente entre la calefacción de la bomba de calor y la calefacción del calentador en función de los parámetros de configuración y los datos operativos.

La unidad admite dos puntos de ajuste de la temperatura exterior (punto de equilibrio económico y punto de equilibrio de capacidad) que determinan el método de calentamiento más eficiente.

**15.8.1. Punto de equilibrio económico**

El punto de equilibrio económico es la temperatura exterior por encima de la cual es más eficiente calentar con la bomba de calor y por debajo de la cual es más eficiente calentar con el calentador.

El punto de equilibrio económico ideal (usando un controlador remoto) dependerá del costo del combustible fósil que se utiliza para el calentador, la eficiencia del calentador, el costo de la electricidad y la eficiencia de la bomba de calor para la calefacción en función de diversas temperaturas exteriores.

Para configurar el punto de equilibrio económico mediante el controlador MA, la aplicación kumo cloud® y los controladores MHK2, consulte los manuales respectivos.

Utilice los ajustes del Modo 8 y Modo 10 para seleccionar el punto de equilibrio económico que utilizará la unidad PAA. El modo puede denominarse código de función de unidad interior en alguna otra documentación. Consulte el manual del producto de controles para obtener más información.

Configuración de la unidad interior			Unidad al aire libre (Temperatura del aire exterior extendida) (consulte la sección Punto de equilibrio extendido a continuación)
Modo 8	Modo 10	Punto de equilibrio	
1	1	-13° C (9° F)	-24° C (-11° F)
1	2	-10° C (14° F)	-13° C (9° F)
2	1	Calentador únicamente	Calentador únicamente
2	2	-7° C (19° F)	-10° C (14° F)
3	1	-3° C (27° F)	-3° C (27° F)
3	2	0° C (32° F) (predeterminado)	0° C (32° F) (predeterminado)



#### NOTA

Cuando la unidad PAA está conectada a una unidad solo de enfriamiento, configure el Modo 8 y el Modo 10 para calefacción de Solo calefactor.

Por debajo del punto de equilibrio económico, solo se utiliza el calentador para calefaccionar. Por encima del punto de equilibrio económico, se utiliza la bomba de calor o el calentador para calefaccionar.

En climas fríos donde la unidad PAA puede estar dimensionado para la carga de enfriamiento en lugar de la carga de calefacción, el sistema puede no tener suficiente capacidad para calentar el espacio incluso a temperaturas por encima del punto de equilibrio económico.

### 15.8.2. Punto de equilibrio de capacidad

Cuando se utiliza por primera vez la unidad PAA y la temperatura del aire exterior está por encima del punto de equilibrio económico, el kit primero intenta calentar el espacio con la bomba de calor.

Si el kit no puede calentar el espacio (probablemente debido a una capacidad de calentamiento insuficiente a la temperatura exterior actual), la unidad registra la temperatura exterior actual como el punto de equilibrio de capacidad y pasa a calentar con el calentador.

Durante las demandas posteriores de calor, si la temperatura exterior está por debajo del punto de equilibrio de capacidad o del punto de equilibrio económico, solo se utiliza el calentador para calefaccionar. Si la temperatura del aire exterior está por encima del punto de equilibrio de capacidad y del punto de equilibrio económico, entonces la bomba de calor intenta calentar el espacio primero.

El punto de equilibrio de capacidad se reduce de manera incremental, periódicamente, hasta que sea igual al valor del punto de equilibrio económico.

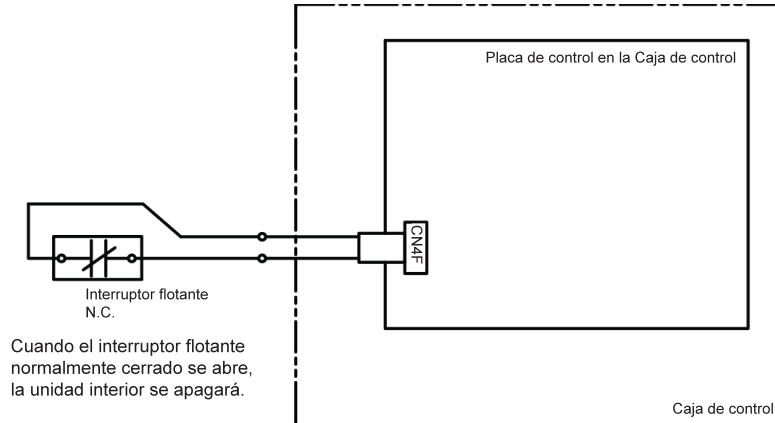
Si el Modo 25 = 2 y el Modo 27 = 2 (que son los ajustes iniciales recomendados), la unidad PAA apaga el ventilador si la configuración térmica está apagada.

### 15.8.3. Punto de equilibrio extendido

Algunas unidades exteriores pueden tener la capacidad de informar temperaturas exteriores más bajas, por debajo de  $-15^{\circ}\text{C}$  ( $5^{\circ}\text{F}$ ). Para obtener información sobre la capacidad de punto de equilibrio extendido de la unidad exterior, consulte el manual de la unidad exterior correspondiente. El firmware de la unidad PAA (interior) detecta automáticamente si la unidad exterior conectada tiene esta capacidad y ajusta el significado del Modo 8 y Modo 10 según corresponda (\* consulte "Unidad exterior - Temperatura extendida del aire exterior" en la tabla de la anterior sección "Punto de equilibrio económico").

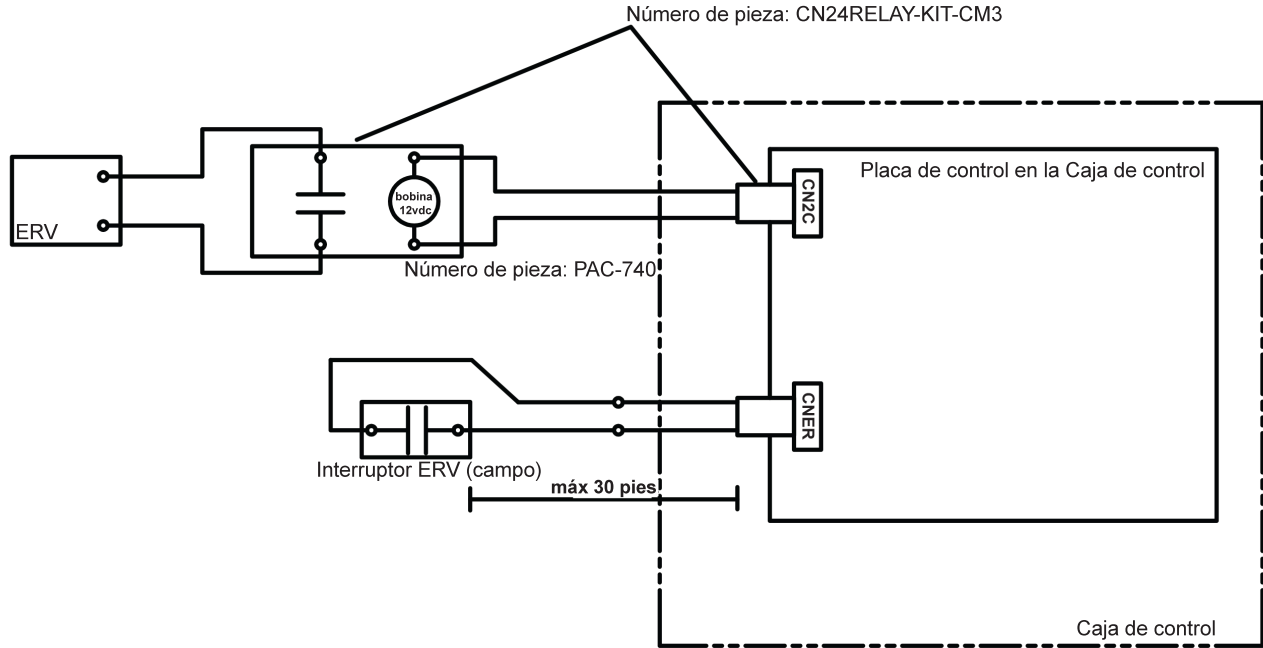
## 15.9. Conexión del interruptor de seguridad de desbordamiento de condensado (CN4F)

La unidad PAA está equipada con un interruptor de detección de desbordamiento de la bandeja de drenaje y un arnés de cables para el conector CN4F. El arnés de cables y el interruptor deben instalarse antes de operar la unidad. De lo contrario, la unidad emitirá un error y el modo de enfriamiento no funcionará. El interruptor es un interruptor normalmente cerrado que se conecta a los dos cables provenientes del conector CN4F suministrado con la unidad PAA. Si el interruptor está abierto, la unidad ya no funciona en modo frío o seco. Vea la instalación a continuación:



Con frecuencia, se utiliza una bomba de condensado para bombear el condensado de la unidad PAA a un drenaje instalado a una elevación más alta que la unidad PAA. Muchas bombas de condensado tienen un interruptor de desbordamiento que detecta si el depósito está a punto de desbordarse por algún motivo. Normalmente, estos interruptores de desbordamiento también son interruptores normalmente cerrados que deben cablearse en serie con el interruptor de desbordamiento de la bandeja colectora como se muestra en la ilustración anterior.

## 15.10. Ventilación de recuperación de energía (Energy recovery ventilation, ERV)



### Interrupor de ERV

- Entrada de contacto A sin tensión
- Corriente nominal de contacto  $\geq 0,1$  A
- Tensión nominal de contacto  $\geq 15$  V CC
- Carga mínima aplicable  $\leq 1$  mA en CC

Salida de ERV	Condición	Soplador del calentador (funcionamiento esperado)	Salida CN2C (salida esperada del soplador del calentador)
<b>Entrada CNER</b>			
OFF [APAGADO]	Operación de enfriamiento/ calefacción/ventilador	ENCENDIDO <sup>1 2</sup>	ON [ENCENDIDO]
	Descongelamiento	DETENCIÓN	OFF [APAGADO]
	DETENCIÓN	DETENCIÓN	OFF [APAGADO]
ENCENDIDO	Operación de enfriamiento/ calefacción/ventilador	ENCENDIDO <sup>1</sup>	ON [ENCENDIDO]
	Descongelamiento	DETENCIÓN	OFF [APAGADO]
	DETENCIÓN	ENCENDIDO <sup>1</sup>	ON [ENCENDIDO]

<sup>1</sup> La señal G/Y1 a la caldera se energiza para encender el soplador de la caldera. Si se utiliza la aplicación kumo cloud® y se configura para que funcione una segunda etapa de velocidad del ventilador, también se activa la señal Y/Y2.

<sup>2</sup> Recomendamos ajustar los modos 25 y 27 al 2, para que el ventilador interior deje de funcionar cuando se alcance la temperatura programada. De lo contrario, CN2C activará la ERV 24/7.

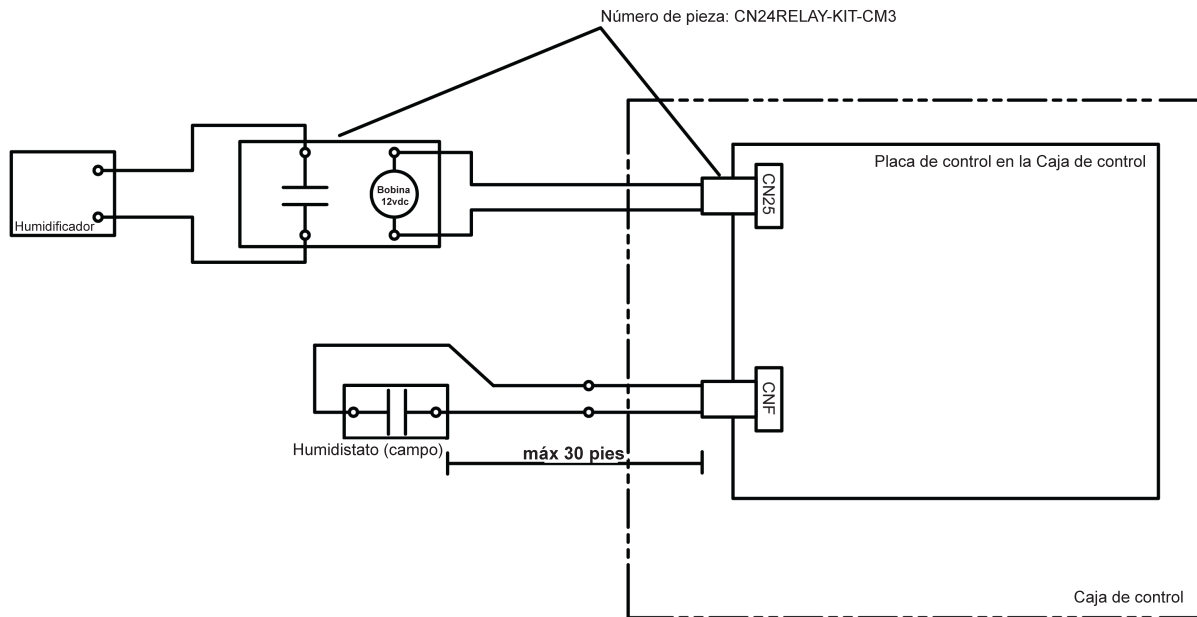


### 15.10.1. Operación de calefacción de HRV/ERV para sistema MXZ

Cuando use una HRV/ERV, tenga la debida consideración cuando funcione durante la calefacción.

Modelo	Descripción
MXZ-3C24/3C30/4C36/5C42NA3 MXZ-3C24/3C30NAHZ3	Cuando el soplador del calentador está moviendo aire para la operación de la HRV/ERV, la unidad puede suministrar aire caliente al espacio ocupado, incluso en el modo Thermo-Off.
MXZ-SM36/42/60NAM MXZ-SM36/42/48NAMHZ	

## 15.11. Humidificador



### Control del humidificador

Secuencia de operación:

1. El humidistato cierra el CNF.
2. El soplador del calentador se enciende.
3. El CN25 proporciona 12 V CC para encender el humidificador (no exceda 1 vatio de consumo por relé).
4. Cuando el humidistato abre el CNF, el soplador de la caldera continúa funcionando durante 30 segundos para eliminar el aire húmedo de la red de conductos.
5. Si se inicia el descongelamiento durante el funcionamiento del humidificador, CN25 se desenergiza.

Humidistato:

- Entrada de contacto A sin tensión
- Tensión nominal de contacto  $\geq 15$  V CC
- Corriente nominal de contacto  $\geq 0,1$  A
- Carga mínima aplicable  $\leq 1$  mA en CC

N.o de modo	N.o de configuración	Configuración
13	1	El humidificador no es compatible (La salida CN25 está ENCENDIDA si la entrada CNF tiene 12V CC aplicados o si hay una solicitud de protocolo IT de "CN25 periférico ENCENDIDO" relevante a través de CN105, independientemente del modo o la configuración)
	2	Compatible con humidificador
16 (se aplica si el n.o de modo 13 n.o de configuración = 2)	1	Consulte la tabla Modo 16 a continuación.
	2	Consulte la tabla Modo 16 a continuación.

N.º de modo 16	Entrada de CNF (Humidistato)	Condición (Sin descongelación/sin error)	Salida CN25	Caldera Soplador
1 <sup>1</sup>	OFF [APAGADO]	Funcionamiento térmico y termostato APAGADO	OFF [APAGADO]	OFF <sup>2</sup>
		Funcionamiento térmico y termostato ENCENDIDO		
	ENCENDIDO	Funcionamiento térmico y termostato APAGADO	OFF [APAGADO]	OFF <sup>2</sup>
		Funcionamiento térmico y termostato ENCENDIDO	ENCENDIDO	ON <sup>2</sup>
2	OFF [APAGADO]	Funcionamiento térmico y termostato APAGADO	OFF [APAGADO]	OFF <sup>2</sup>
		Funcionamiento térmico y termostato ENCENDIDO		
	ENCENDIDO	Funcionamiento térmico y termostato APAGADO	ENCENDIDO	ON <sup>2</sup>
		Funcionamiento térmico y termostato ENCENDIDO		

<sup>1</sup> Configuración de fábrica

<sup>2</sup> La señal G/Y1 a la caldera se energiza para encender el soplador del calentador. Si se utiliza la aplicación kumo cloud® y se configura para operar una velocidad de soplador de segunda etapa, la señal Y/Y2 también se energiza.



## NOTA

- La salida del humidificador solo funcionará cuando esté en modo de calefacción.
- Modo 25 establecido en 1 = ventilador del calentador encendido, cuando el termostato está APAGADO. Modo 25 establecido en 2 = ventilador del calentador apagado, cuando el termostato está APAGADO.

## 16. Ejecución de prueba

### 16.1. Antes de la ejecución de la prueba

Después de completar la instalación y el cableado y las tuberías de las unidades interiores y exteriores, verifique si hay fugas de refrigerante, holgura en el suministro de energía o cableado de control, polaridad incorrecta y falta de desconexión de una fase en el suministro. Utilice un megaohmetro de 500 voltios para verificar que la resistencia entre los terminales de la fuente de alimentación y la tierra sea de al menos 1,0 MΩ. No realice esta prueba en los terminales del cableado de control (circuito de bajo voltaje).



#### AVISO

Si SW01-2 y SW01-4 se establecen en ON [ENCENDIDO], la caldera comenzará a calentar inmediatamente ante una pérdida de energía a la unidad exterior. Por lo tanto, durante la operación o el mantenimiento de la prueba del calentador de gas, asegúrese de encender la unidad exterior antes de encender el calentador. Por el contrario, al apagar el sistema, el calentador debe apagarse antes de apagar la unidad exterior. Si se opera incorrectamente, puede provocar fugas de gas/venenamiento, incendio o explosión debido a la operación inesperada del calentador de gas.



#### AVISO

No utilice el aire acondicionado si la resistencia de aislamiento es inferior a 1.0 MΩ. De lo contrario, pueden producirse resultados como descargas eléctricas, incendios o explosiones.

Abra las válvulas de paro que aíslan la unidad PAA de la unidad exterior antes de comenzar la operación para evitar que la tubería de refrigerante se rompa durante la operación de la caldera.

Después de la instalación o después de cortar la fuente de alimentación de la unidad durante un período prolongado, la resistencia de aislamiento caerá por debajo de 1 MΩ debido a la acumulación de refrigerante en el compresor. Esto no es un mal funcionamiento. Realice los siguientes procedimientos.

1. Retire los cables del compresor y mida la resistencia de aislamiento del compresor.
2. Si la resistencia de aislamiento es inferior a 1 MΩ, el compresor es defectuoso o la resistencia cayó debido a la acumulación de refrigerante en el compresor.
3. Después de conectar los cables al compresor, el compresor comenzará a calentarse después de que se suministre energía. Después de suministrar energía durante los tiempos indicados a continuación, vuelva a medir la resistencia del aislamiento.
  - La resistencia de aislamiento disminuye debido a la acumulación de refrigerante en el compresor. La resistencia aumentará por encima de 1 MΩ después de que el compresor se caliente durante dos o tres horas. (El tiempo necesario para calentar el compresor varía según las condiciones atmosféricas y la acumulación de refrigerante).

- Para operar el compresor con refrigerante acumulado en el compresor, el compresor debe calentarse durante al menos 12 horas para evitar averías.
4. Si la resistencia de aislamiento aumenta por encima de 1 MΩ, el compresor no está defectuoso.



## ATENCIÓN

- El compresor no funcionará a menos que la conexión de fase de la fuente de alimentación sea correcta.
- Encienda la alimentación al menos 12 horas antes de comenzar la operación. – Iniciar la operación inmediatamente después de encender el interruptor de alimentación principal puede provocar daños graves a las piezas internas. Mantenga el interruptor de alimentación encendido durante la temporada de funcionamiento.

## 16.2. Ejecución de prueba

Consulte el manual de instalación que viene con cada controlador remoto para obtener más detalles.

## 16.3. Autoevaluación

Consulte el manual de instalación que viene con cada controlador remoto para obtener más detalles.

Controlador IR y RF no compatible.

[Patrón de salida A] Errores detectados por la unidad interior		
Controlador remoto cableado Código de verificación		Síntoma
P1	5101	Error del sensor de admisión
P2 P9	5102, 5105	Error del sensor del tubo (tubo líquido o bifásico)
E6, E7	6840	Error de comunicación de la unidad interior/exterior
P4	2502	Error del sensor de drenaje
P5	5701	Error de la bomba de drenaje
P6	1501	Operación de protección contra congelación/sobrecalentamiento
EE	-	Error de comunicación entre unidades interiores y exteriores
P8	1503	Error de temperatura de la tubería
E4	6834	Error de recepción de señal del controlador remoto
Fb	4109	Error del sistema de control de la unidad interior (error de memoria, etc.)

<b>[Patrón de salida B] Errores detectados por una unidad que no es la unidad interior (unidad exterior, etc.)</b>	
<b>Código de verificación</b>	<b>Síntoma</b>
E9	Error de comunicación de unidad interior/exterior (error de transmisión) (unidad exterior)
UP	Interrupción de sobrecorriente del compresor
U3, U4	Apertura/corto de los termistores de la unidad exterior
UF	Interrupción de sobrecorriente del compresor (cuando el compresor está bloqueado)
U2	Temperatura de descarga alta anormal/49C funciona/Refrigerante insuficiente
U1, Ud	Presión alta anormal (63H funciona)/Operación de protección de sobrecalentamiento
U5	Temperatura anormal del disipador de calor
U8	Parada de protección del ventilador de la unidad exterior
U6	Interrupción de sobrecorriente del compresor/Anomalía del módulo de alimentación
U7	Anomalía de recalentamiento debido a una baja temperatura de descarga
U9, UH	Anomalía como sobrevoltaje o escasez de voltaje y señal anómala y sincrónica al circuito principal/error del sensor de corriente
otros	Otros errores (consulte el manual técnico de la unidad exterior).

- En el controlador remoto cableado, verifique el código que se muestra en la pantalla LCD.
- Si la unidad no se puede operar correctamente después de realizar la prueba anterior, consulte la siguiente tabla para eliminar la causa.

<b>Síntoma</b>			<b>Causa</b>
<b>Controlador remoto cableado</b>	<b>LED 1, 2 (PCB en unidad exterior)</b>		
ESPERE	Aproximadamente 2 minutos después del encendido	Después de que los LED 1, 2 se iluminan, el LED 2 se apaga, luego solo el LED 1 se ilumina. (Operación correcta)	– Durante aproximadamente 2 minutos después del encendido, no es posible el funcionamiento del controlador remoto debido al arranque del sistema. (Operación correcta)
ESPERE → Código de error	Después de que hayan transcurrido aproximadamente 2 minutos del encendido	Solo el LED 1 está iluminado. → LED 1, 2 parpadean.	– El conector para el dispositivo de protección de la unidad exterior no está conectado. – Cableado de fase inversa o abierta para el bloque de terminales de alimentación de la unidad exterior (L1, L2, L3)

Síntoma		LED 1, 2 (PCB en unidad exterior)	Causa
Controlador remoto cableado			
Los mensajes de la pantalla no aparecen incluso cuando el interruptor de operación está encendido (la luz de operación no se enciende).	Después de que hayan transcurrido aproximadamente 2 minutos del encendido	Solo el LED 1 está iluminado. → LED 1, 2 parpadeos dos veces, LED 2 parpadea una vez.	– Cableado incorrecto entre unidades interiores y exteriores (polaridad incorrecta de S1, S2 y S3) – Cortocircuito en el cable del controlador remoto

**NOTA**

La operación no es posible durante unos 30 segundos después de la cancelación de la selección de funciones. (Operación correcta)

Para obtener una descripción de cada LED (LED1, 2, 3) del controlador interior, consulte la siguiente tabla.

LED 1 (alimentación para microcomputadora)	Indica si se suministra alimentación de control. Asegúrese de que este LED esté siempre encendido.
LED 2 (alimentación para el controlador remoto)	Indica si se suministra energía al controlador remoto. Este LED se enciende solo en el caso de la unidad interior que está conectada a la dirección de refrigerante de la unidad exterior "0".
LED 3 (comunicación entre unidades interiores y exteriores)	Indica el estado de comunicación entre las unidades interiores y exteriores. Asegúrese de que este LED esté siempre parpadeando.

## 16.4. Función de reinicio automático

### Placa de controlador para interiores

Este modelo está equipado con la FUNCIÓN DE REINICIO AUTOMÁTICO.

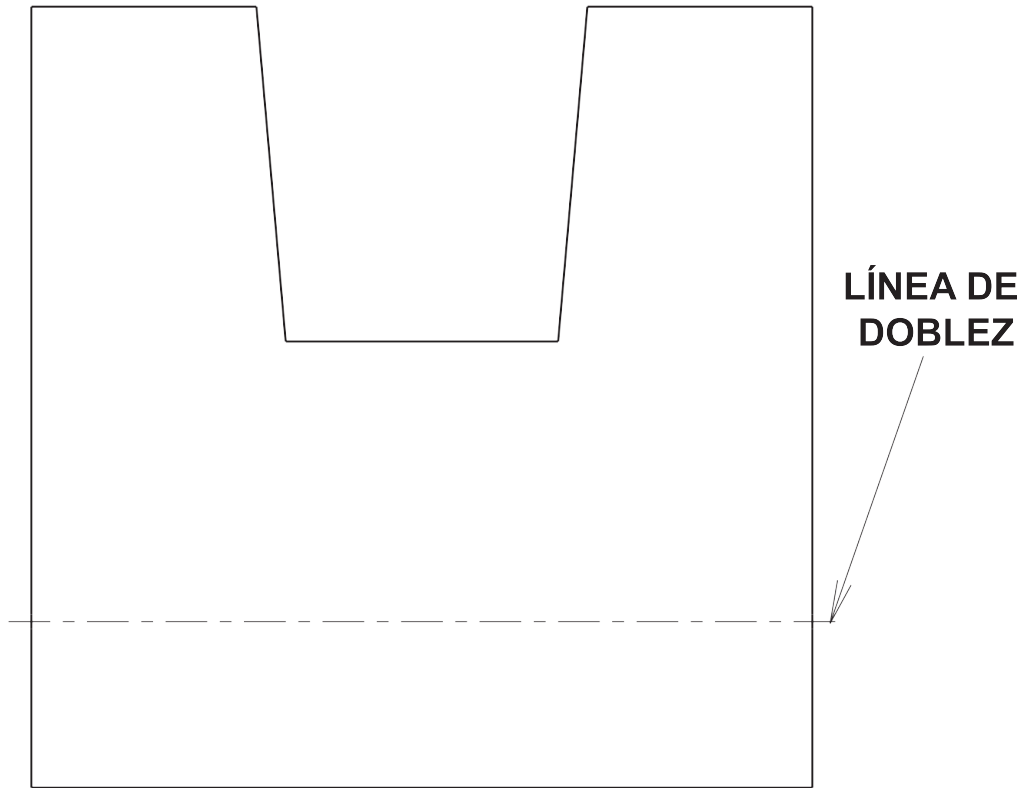
Cuando la unidad interior se controla con el controlador remoto, la placa del controlador interior memoriza el modo de operación, la temperatura establecida y la velocidad del ventilador.

La función de reinicio automático funciona después de restablecer la energía después de un corte de energía. La unidad se reiniciará automáticamente aproximadamente 4 minutos después de que se restablezca la energía.

Establezca la FUNCIÓN DE REINICIO AUTOMÁTICO usando el control remoto. (Modo n.o 01)

## 17. Calibre de corte

### PLANTILLA DE CALIBRADOR DE CORTE



MODELO A ESCALA 100 %



This product is designed and intended for use in the residential and commercial environment.

Please be sure to put the contact address/telephone number on this manual before handing it to the customer.



Manufactured for:  
**MITSUBISHI ELECTRIC US, INC.**

[www.mitsubishielectric-usa.com](http://www.mitsubishielectric-usa.com)

Toll Free: 800-433-4822