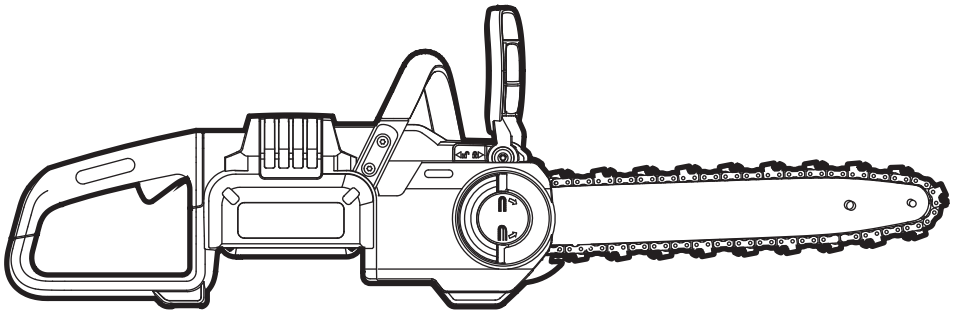


The CAT logo is displayed in white on a black rectangular background. The letters 'CAT' are in a bold, sans-serif font, with a stylized mountain peak shape integrated into the letter 'A'. A registered trademark symbol (®) is located to the upper right of the 'A'.

60V

DG630 DG630.9 DG631 DG631.9



CORDLESS CHAINSAW

EN

P02

TRONÇONNEUSE SANS FIL

FR

P21

MOTOSIERRA SIN CABLE

ES

P38

TABLE OF CONTENTS

IMPORTANT SAFETY INSTRUCTIONS.....2

SYMBOLS.....8

SPECIFICATIONS.....9

COMPONENT LIST.....11

ASSEMBLY.....16


OPERATION.....17

MAINTENANCE.....18

TROUBLESHOOTING.....20


EN

PRODUCT SAFETY


 **WARNING:** Some dust created by power sanding, sawing, grinding, drilling and other construction activities contains chemicals known to the State of California to cause cancer, birth defects or other reproductive harm. Some examples of these chemicals are:

- Lead from lead-based paints;
- Crystalline silica from bricks and cement and other masonry products;
- Arsenic and chromium from chemically-treated lumber.

Your risk from these exposures varies, depending on how often you do this type of work. To reduce your exposure to these chemicals: work in a well ventilated area, and work with approved safety equipment, such as those dust masks that are specially designed to filter out microscopic particles.

 **WARNING:** This product can expose you to chemicals including lead and Di(2-ethylhexyl) phthalate (DEHP) which are known to the State of California to cause cancer and birth defects or other reproductive harm. For more information go to www.P65Warnings.ca.gov.

GENERAL POWER TOOL SAFETY WARNINGS

 **WARNING** Read all safety warnings, instructions, illustrations and specifications provided with this power tool. Failure to follow all instructions listed below may result in electric shock, fire and/or serious injury.

Save all warnings and instructions for future reference.

The term "power tool" in the warnings refers to your mains-operated (corded) power tool or battery-operated (cordless) power tool.

1. WORK AREA SAFETY

- Keep work area clean and well lit.** Cluttered or dark areas invite accidents.
- Do not operate power tools in explosive atmospheres, such as in the presence of flammable liquids, gases or dust.** Power tools create sparks which may ignite the dust or fumes.
- Keep children and bystanders away while operating a power tool.** Distractions can cause you to lose control.

2. ELECTRICAL SAFETY

- Power tool plugs must match the outlet. Never modify the plug in any way. Do not use any adapter plugs with earthed (grounded) power tools.** *Unmodified plugs and matching outlets will reduce risk of electric shock.*
- Avoid body contact with earthed or grounded surfaces, such as pipes, radiators, ranges and refrigerators.** *There is an increased risk of electric shock if your body is earthed or grounded.*
- Do not expose power tools to rain or wet conditions.** *Water entering a power tool will increase the risk of electric shock.*
- Do not abuse the cord. Never use the cord for carrying, pulling or unplugging the power tool. Keep cord away from heat, oil, sharp edges or moving parts.** *Damaged or entangled cords increase the risk of electric shock.*
- When operating a power tool outdoors, use an extension cord suitable for outdoor use.** *Use of a cord suitable for outdoor use reduces the risk of electric shock.*
- If operating a power tool in a damp location is unavoidable, use a residual current device (RCD) protected supply.** *Use of an RCD reduces the risk of electric shock.*

3. PERSONAL SAFETY

- Stay alert, watch what you are doing and use common sense when operating a power tool. Do not use a power tool while you are tired or under the influence of drugs, alcohol or medication.** *A moment of inattention while operating power tools may result in serious personal injury.*
- Use personal protective equipment. Always wear eye protection.** *Protective equipment such as dust mask, non-skid safety shoes, hard hat, or hearing protection used for appropriate conditions will reduce personal injuries.*
- Prevent unintentional starting. Ensure the switch is in the off-position before connecting to power source and/or battery pack, picking up or carrying the tool.** *Carrying power tools with your finger on the switch or energising power tools that have the switch on invites accidents.*
- Remove any adjusting key or wrench before turning the power tool on.** *A wrench or a key left attached to a rotating part of the power tool may result in personal injury.*
- Do not overreach. Keep proper footing and balance at all times.** *This enables better control of the power tool in unexpected situations.*
- Dress properly. Do not wear loose clothing or jewellery. Keep your hair, clothing and gloves away from moving parts.** *Loose clothes, jewellery*

or long hair can be caught in moving parts.

- g) **If devices are provided for the connection of dust extraction and collection facilities, ensure these are connected and properly used.** *Use of dust collection can reduce dust-related hazards.*
- h) **Do not let familiarity gained from frequent use of tools allow you to become complacent and ignore tool safety principles.** *A careless action can cause severe injury within a fraction of a second.*

4. POWER TOOL USE AND CARE

- a) **Do not force the power tool. Use the correct power tool for your application.** *The correct power tool will do the job better and safer at the rate for which it was designed.*
- b) **Do not use the power tool if the switch does not turn it on and off.** *Any power tool that cannot be controlled with the switch is dangerous and must be repaired.*
- c) **Disconnect the plug from the power source and/or the battery pack from the power tool before making any adjustments, changing accessories, or storing power tools.** *Such preventive safety measures reduce the risk of starting the power tool accidentally.*
- d) **Store idle power tools out of the reach of children and do not allow persons unfamiliar with the power tool or these instructions to operate the power tool.** *Power tools are dangerous in the hands of untrained users.*
- e) **Maintain power tools. Check for misalignment or binding of moving parts, breakage of parts and any other condition that may affect the power tool's operation. If damaged, have the power tool repaired before use.** *Many accidents are caused by poorly maintained power tools.*
- f) **Keep cutting tools sharp and clean.** *Properly maintained cutting tools with sharp cutting edges are less likely to bind and are easier to control.*
- g) **Use the power tool, accessories and tool bits etc. in accordance with these instructions, taking into account the working conditions and the work to be performed.** *Use of the power tool for operations different from those intended could result in a hazardous situation.*
- h) **Keep handles and grasping surfaces dry, clean and free from oil and grease.** *Slippery handles and grasping surfaces do not allow for safe handling and control of the tool in unexpected situations.*

5. BATTERY TOOL USE AND CARE

- a) **Recharge only with the charger specified by the manufacturer.** *A charger that is suitable for one type of battery pack may create a risk of fire when*

used with another battery pack.

- b) **Use power tools only with specifically designated battery packs.** *Use of any other battery packs may create a risk of injury and fire.*
- c) **When battery pack is not in use, keep it away from other metal objects, like paper clips, coins, keys, nails, screws or other small metal objects, that can make a connection from one terminal to another.** *Shorting the battery terminals together may cause burns or a fire.*
- d) **Under abusive conditions, liquid may be ejected from the battery; avoid contact. If contact accidentally occurs, flush with water. If liquid contacts eyes, additionally seek medical help.** *Liquid ejected from the battery may cause irritation or burns.*
- e) **Do not use a battery pack or tool that is damaged or modified.** *Damaged or modified batteries may exhibit unpredictable behaviour resulting in fire, explosion or risk of injury.*
- f) **Do not expose a battery pack or tool to fire or excessive temperature.** *Exposure to fire or temperature above 130 °C may cause explosion.*
- g) **Follow all charging instructions and do not charge the battery pack or tool outside the temperature range specified in the instructions.** *Charging improperly or at temperatures outside the specified range may damage the battery and increase the risk of fire.*

6. SERVICE

- a) **Have your power tool serviced by a qualified repair person using only identical replacement parts.** *This will ensure that the safety of the power tool is maintained.*
- b) **Never service damaged battery packs.** *Service of battery packs should only be performed by the manufacturer or authorized service providers.*

1) GENERAL CHAIN SAW SAFETY WARNINGS:

- a) **Keep all parts of the body away from the saw chain when the chain saw is operating. Before you start the chain saw, make sure the saw chain is not contacting anything.** *A moment of inattention while operating chain saws may cause entanglement of your clothing or body with the saw chain.*
- b) **Always hold the chain saw with your right hand on the rear handle and your left hand on the front handle.** *Holding the chain saw with a reversed hand configuration increases the risk of personal*

injury and should never be done.

- c) **Hold the chain saw by insulated gripping surfaces only, because the saw chain may contact hidden wiring.** *Saw chains contacting a "live" wire may make exposed metal parts of the chain saw "live" and could give the operator an electric shock.*
- d) **Wear safety glasses protection. Further protective equipment for hearing, head, hands, legs and feet is recommended.** *Adequate protective clothing will reduce personal injury by flying debris or accidental contact with the saw chain.*
- e) **Do not operate a chain saw, on a ladder, from a rooftop, or any unstable support.** *Operation of a chain saw in this manner could result in serious personal injury.*
- f) **Always keep proper footing and operate the chain saw only when standing on fixed, secure and level surface.** *Slippery or unstable surfaces may cause a loss of balance or control of the chain saw.*
- g) **When cutting a limb that is under tension , be alert for spring back.** *When the tension in the wood fibers is released , the spring loaded limb may strike the operator and/or throw the chain saw out of control.*
- h) **Use extreme caution when cutting brush and saplings.** *The slender material may catch the saw chain and be whipped toward you or pull you off balance.*
- i) **Carry the chain saw by the front handle with the chain saw switched off and away from your body. When transporting or storing the chain saw , always fit the guide bar cover.** *Proper handling of the chain saw will reduce the likelihood of accidental contact with the moving saw chain.*
- j) **Follow instructions for lubricating, chain tensioning and changing the bar and chain.** *Improperly tensioned or lubricated chain may either break or increase the chance for kickback.*
- k) **Cut wood only. Do not use chain saw for purposes not intended. For example: do not use chain saw for cutting metal, plastic, masonry or non-wood building materials.** *Use of the chain saw for operations different than intended could result in a hazardous situation.*
- l) **Do not attempt to fell a tree until you have an understanding of the risks and how to avoid them.** *Serious injury could occur to the operator or bystanders while felling a tree.*
- m) **Do not operate a chain saw in a tree unless you have been specifically trained to do so. Operation of a chain saw in a tree without proper training could increase the risk of serious personal injury.**
- n) **Follow all instructions when clearing jammed**

material, storing or servicing the chain saw.

Make sure the switch is off and the battery pack is removed. *Unexpected actuation of the chain saw while clearing jammed material or servicing may result in serious personal injury.*

- o) **Recommendation that the first-time user should, as a minimum, practice cutting logs on a saw-horse or cradle.**
- p) **Recommendation to have sharpening and maintenance of the saw chain performed by authorised service centers.**

2) CAUSES AND OPERATOR PREVENTION OF KICKBACK:

Kickback may occur when the nose or tip of the guide bar touches an object, or when the wood closes in and pinches the saw chain in the cut.

Tip contact in some cases may cause a sudden reverse reaction, kicking the guide bar up and back towards the operator. Pinching the saw chain along the top of the guide bar may push the guide bar rapidly back towards the operator.

Either of these reactions may cause you to lose control of the saw which could result in serious personal injury. Do not rely exclusively upon the safety devices built into your saw. As a chain saw user, you should take several steps to keep your cutting jobs free from accident or injury.

Kickback is the result of chain saw misuse and/or incorrect operating procedures or conditions and can be avoided by taking proper precautions as given below:

- a) **Maintain a firm grip, with thumbs and fingers encircling the chain saw handles, with both hands on the saw and position your body and arm to allow you to resist kickback forces.** *Kickback forces can be controlled by the operator, if proper precautions are taken. Do not let go of the chain saw.*
- b) **Do not overreach and do not cut above shoulder height.** *This helps prevent unintended tip contact and enables better control of the chain saw in unexpected situations.*
- c) **Only use replacement bars and chains specified by the manufacturer.** *Incorrect replacement guide bars and saw chains may cause chain breakage and/or kickback.*
- d) **Follow the manufacturer's sharpening and maintenance instructions for the saw chain.**

Decreasing the depth gauge height can lead to increased kickback.

SAFETY WARNINGS FOR BATTERY PACK

- a) Do not dismantle, open or shred battery pack.
- b) Do not expose battery pack to heat or fire. Avoid storage in direct sunlight.
- c) Do not short-circuit a battery pack. Do not store battery packs haphazardly in a box or drawer where they may short-circuit each other or be short-circuited by other metal objects. *When battery pack is not in use, keep it away from other metal objects, like paper clips, coins, keys, nails, screws or other small metal objects, that can make a connection from one terminal to another. Shorting the battery terminals together may cause burns or fire.*
- d) Do not subject battery pack to mechanical shock.
- e) In the event of battery leaking, do not allow the liquid to come in contact with the skin or eyes. If contact has been made, wash the affected area with copious amounts of water and seek medical advice.
- f) Do not use any battery pack which is not designed for use with the equipment.
- g) Keep battery pack out of the reach of children.
- h) Always purchase the battery pack recommended by the device manufacturer for the equipment.
- i) Keep battery pack clean and dry.
- j) Wipe the battery pack terminals with a clean dry cloth if they become dirty.
- k) Battery pack needs to be charged before use. Always use the correct charger and refer to the manufacturer's instructions or equipment manual for proper charging instructions.
- l) Do not leave battery pack on prolonged charge when not in use.
- m) After extended periods of storage, it may be necessary to charge and discharge the battery pack several times to obtain maximum performance.
- n) Recharge only with the charger specified by Cat®. Do not use any charger other than that specifically provided for use with the equipment.
- o) Retain the original product literature for future reference.
- p) Use only the battery pack in the application for which it was intended.
- q) Remove the battery pack from the equipment when not in use.
- r) Dispose of properly.
- s) Do not mix cells of different manufacture, capacity,

size or type within a device.

- t) Keep the battery away from microwaves and high pressure.

SAVE THESE INSTRUCTIONS

Instructions concerning the proper techniques for basic felling, limbing, and cross-cutting

1. Felling a tree

When bucking and felling operations are being performed by two or more persons at the same time, the felling operations should be separated from the bucking operation by a distance of at least twice the height of the tree being felled. Trees should not be felled in a manner that would endanger any person, strike any utility line or cause any property damage. If the tree does make contact with any utility line, the company should be notified immediately.

The Chainsaw operator should keep on the uphill side of the terrain as the tree is likely to roll or slide downhill after it is felled.

An escape path should be planned and cleared as necessary before cuts are started. The escape path should extend back and diagonally to the rear of the expected line of fall as illustrated in Figure 1.

Before felling is started, consider the natural lean of the tree, the location of larger branches and the wind direction to judge which way the tree will fall.

Remove dirt, stones, loose bark, nails, staples and wire from the tree.

2. Notching undercut

Make the notch 1/3 the diameter of the tree, perpendicular to the direction of falls as illustrated in Figure 1. Make the lower horizontal notching cut (W) first. This will help to avoid pinching either the saw chain or the guide bar when the second notch (X) is being made.

3. Felling back cut

Make the felling back cut (Y) at least 50 mm higher than the horizontal notching cut as illustrated in Figure 1.

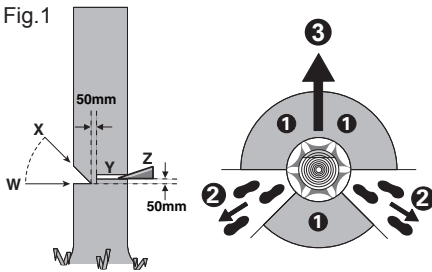
Keep the felling back cut parallel to the horizontal notching cut.

Make the felling back cut so enough wood is left to act as a hinge. The hinge wood keeps the tree from twisting and falling in the wrong direction. Do not cut through

the hinge.

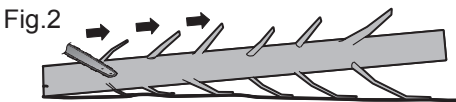
As the felling gets close to the hinge, the tree should begin to fall. If there is any chance that the tree may not fall in desired direction or it may rock back and bind the saw chain, stop cutting before the felling back cut is complete and use wedges of wood, plastic or aluminium (Z) to open the cut and drop the tree along the desired line of fall (③).

When the tree begins to fall remove the Chainsaw from the cut, stop the motor, put the Chainsaw down, then use the retreat path planned (②). Be alert for overhead limbs falling and watch your footing. (See Figure 1)



4. Limbing a tree

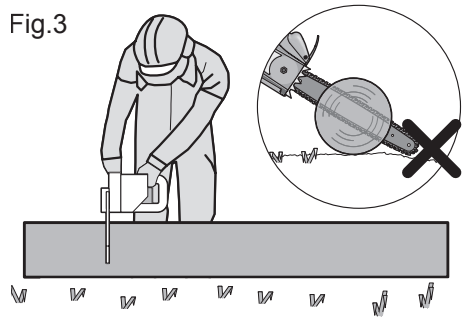
Limbing is removing the branches from a fallen tree. When limbing leave larger lower limbs to support the log off the ground. Remove the small limbs in one cut as illustrated in Figure 2. Branches under tension should be cut from the bottom up to avoid binding the Chainsaw.



5. Bucking a log

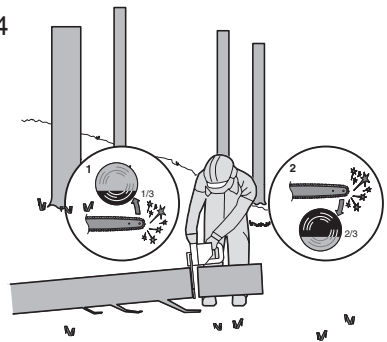
Bucking is cutting a log into lengths. It is important to make sure your footing is firm and your weight is evenly distributed on both feet. When possible, the log should be raised and supported by the use of limbs, logs or chocks. Follow the simple directions for easy cutting. When the log is supported along its entire length as illustrated in Figure 3, it is cut from the top (overbuck), avoid contacting ground as this will greatly reduce the chain sharpness.

Fig.3



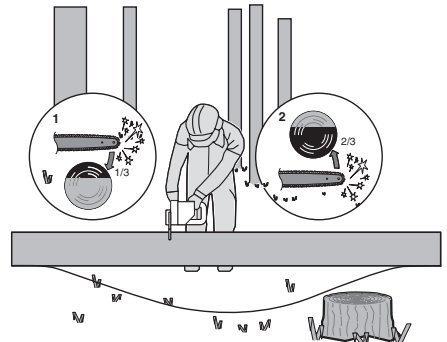
When the log is supported on one end, as illustrated in Figure 4, cut 1/3 the diameter from the underside (underbuck) (1). Then make the finished cut by overbucking (2) to meet the first cut.

Fig.4



When the log is supported on both ends, as illustrated in Figure 5, cut 1/3 the diameter from the top (overbuck) (1). Then make the finished cut by underbucking (2) the lower 2/3 to meet the first cut.

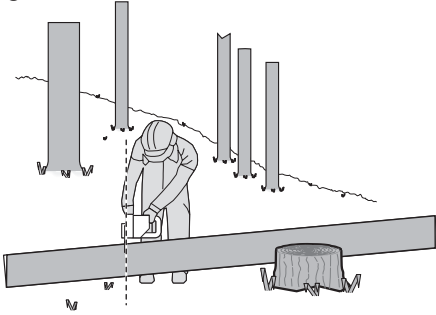
Fig.5



When bucking on a slope always stand on the uphill side of the log, as illustrated in Figure 6. When "cutting

through”, to maintain complete control release the cutting pressure near the end of the cut without relaxing your grip on the Chainsaw handles. Don't let the chain contact the ground. After completing the cut, wait for the saw chain to stop before you move the Chainsaw. Always stop the motor before moving from tree to tree.

Fig.6



SYMBOLS



To reduce the risk of injury, user must read instruction manual



Warning



Wear eye protection



Wear ear protection



Wear dust mask



Li-Ion

Li-Ion battery, battery must be recycled



Do not burn



Batteries may enter water cycle if disposed improperly, which can be hazardous for ecosystem. Do not dispose of waste batteries as unsorted municipal waste.



call2recycle®

POSITEC Inc. has established a partnership with the RBRC Corporation to recycle any Positec batteries with the RBRC-call2recycle seal. For environmental protection, please do not discard batteries in the trash.

After the batteries' life cycle is ended, then please call 1-800-822-8837 for a free service that will properly dispose of the battery.



Beware of chain saw kickback and avoid contact with bar tip



Always use chain saw two-handed



Do not expose to rain



Wear head protection



Wear protective gloves



Unlock



Lock

TECHNICAL DATA

Type Designation DG630 DG630.9 DG631 DG631.9 (3 - designation of machinery, representative of Chainsaw)

	DG630	DG630.9	DG631	DG631.9
Rated voltage	60 V \approx Max. **			
Bar length	16'' (40 cm)		18'' (45 cm)	
Chain speed	72 ft/s (22 m/s)		79 ft/s (24 m/s)	
Oil tank capacity	6.7 oz. (190 ml)			
Chain pitch	3/8'' LP (0.95 cm)			
Chain gauge	0.043'' (1.1 mm)			
Charging time	50 mins	/	100 mins	/
Machine weight	13 lbs (5.9 kg)	9.6 lbs (4.3 kg)	16.3 lbs (7.4 kg)	10.2 lbs (4.6 kg)

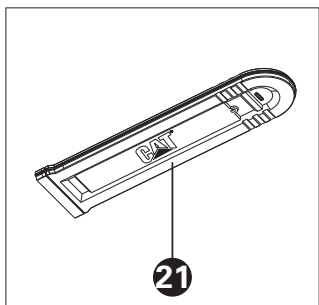
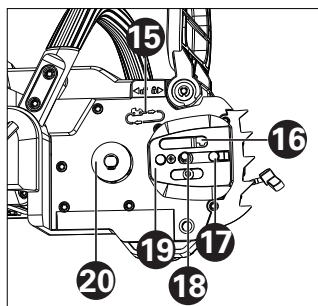
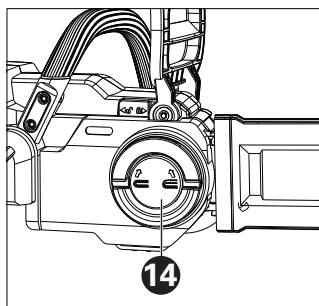
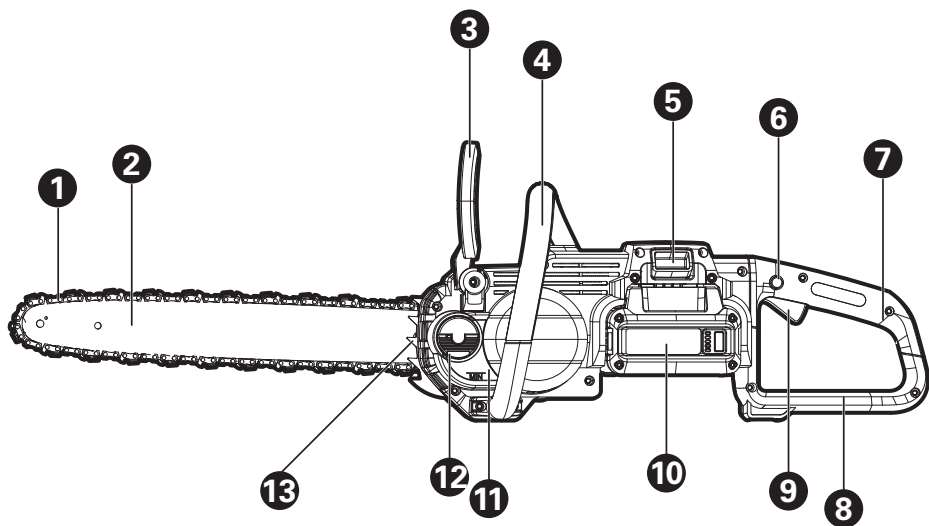
** Voltage measured without workload. Initial battery voltage reaches maximum of 60 volts. Nominal voltage is 54 volts.

ACCESSORIES

	DG630	DG630.9	DG631	DG631.9
Chain	1	1	1	1
Bar	1	1	1	1
Transportation Cover	1	1	1	1
Battery Pack (DG6B25)	1	/	/	/
Battery Pack (DG6B5)	/	/	1	/
Charger (DG6C3)	1	/	1	/

We recommend that you purchase your accessories listed in the above list from the same store that sold you the tool. Refer to the accessory packaging for further details. Store personnel can assist you and offer advice.

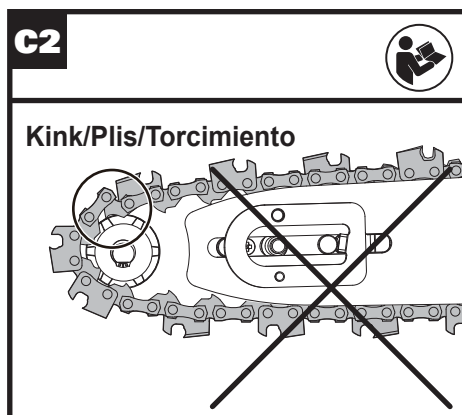
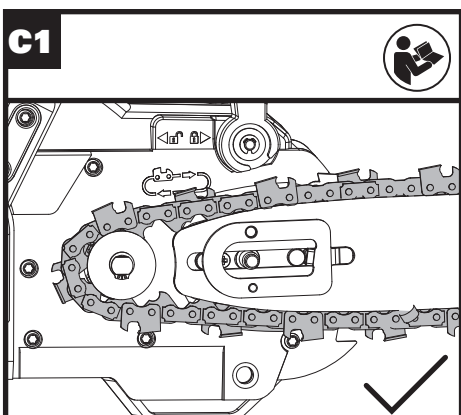
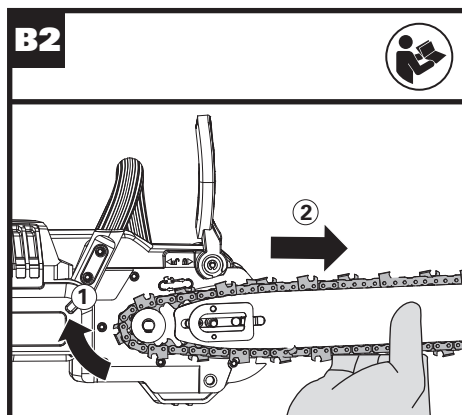
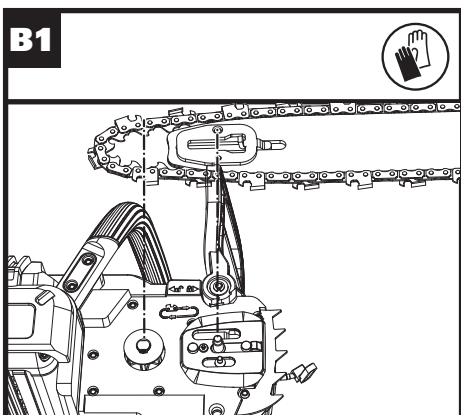
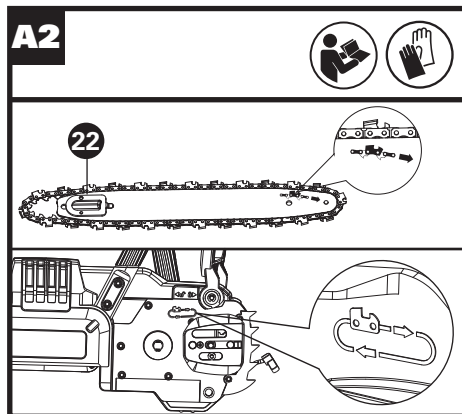
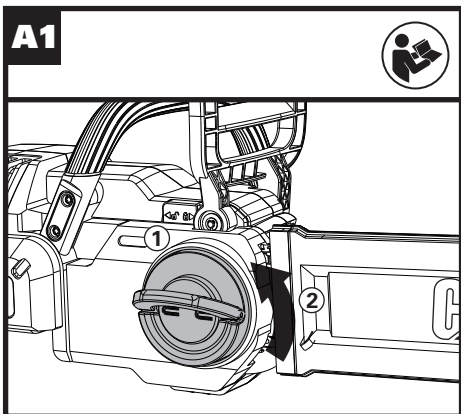
EN

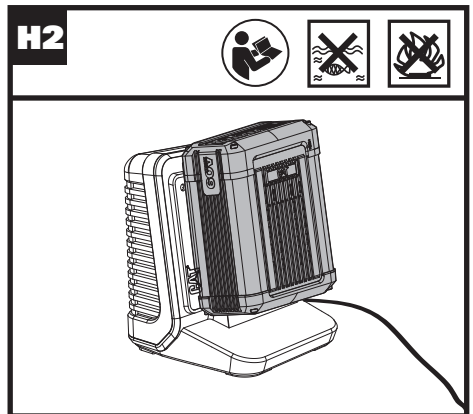
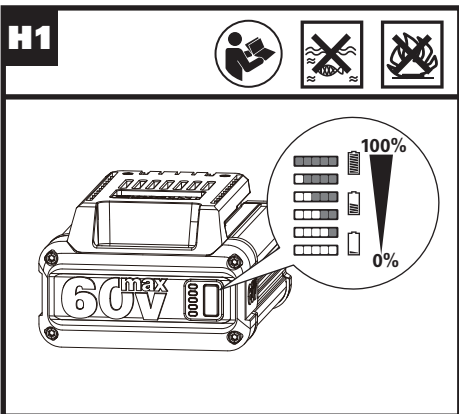
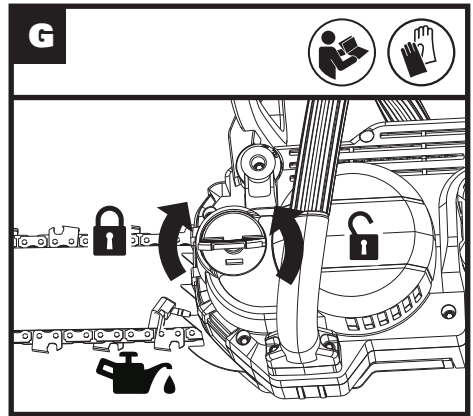
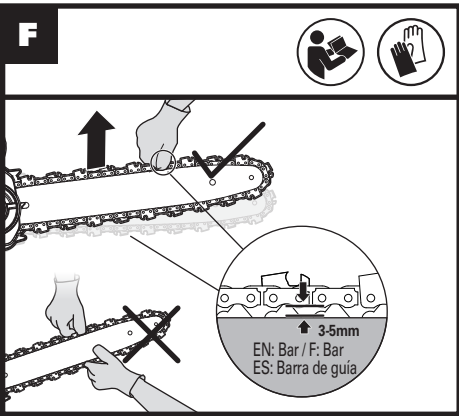
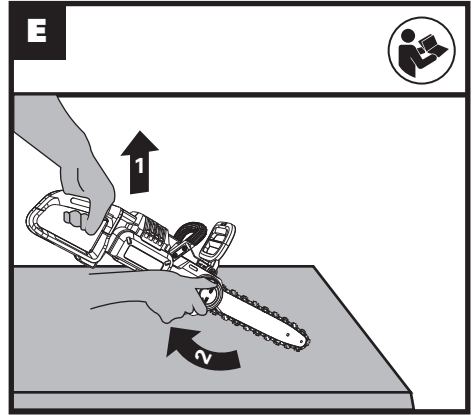
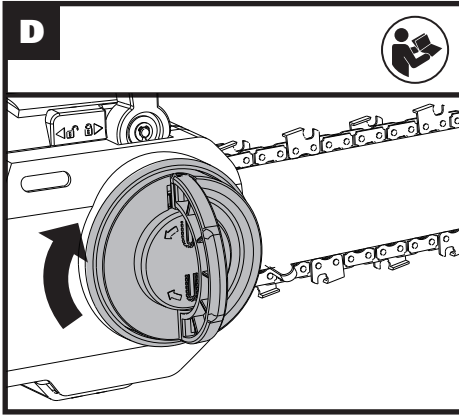


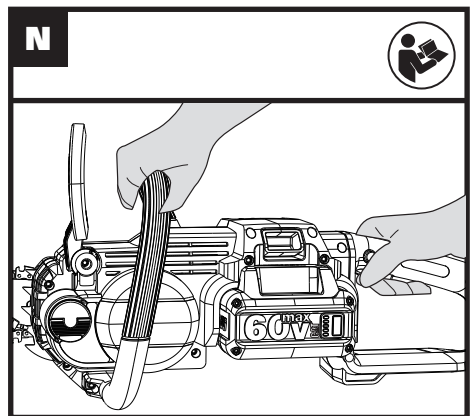
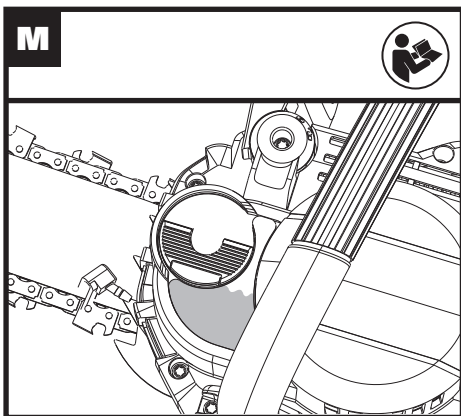
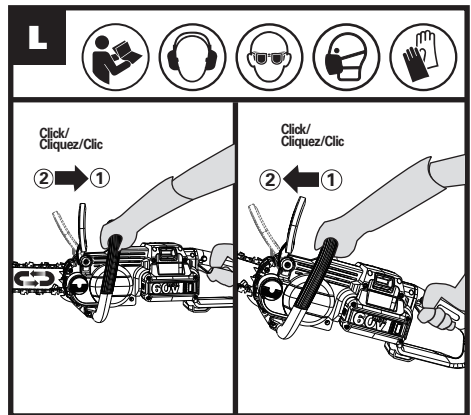
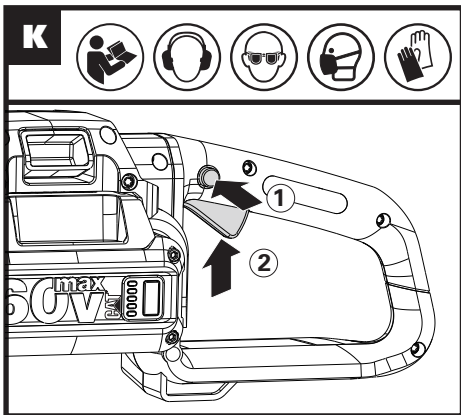
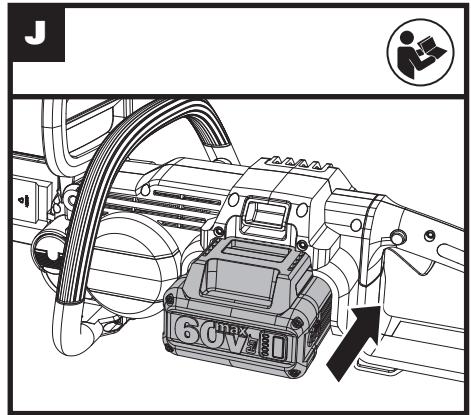
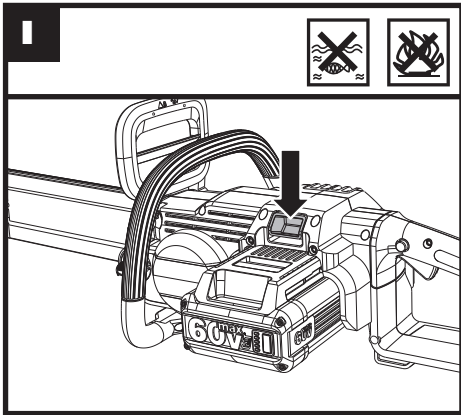
COMPONENT LIST

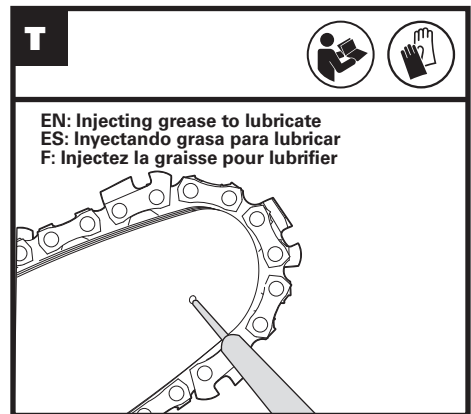
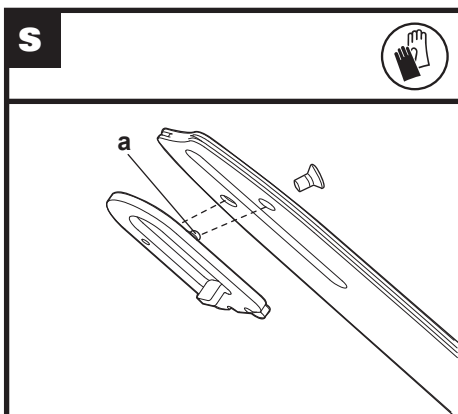
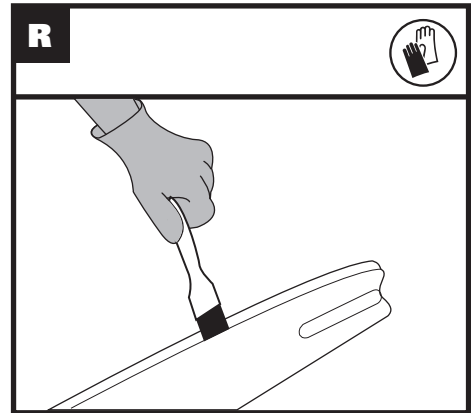
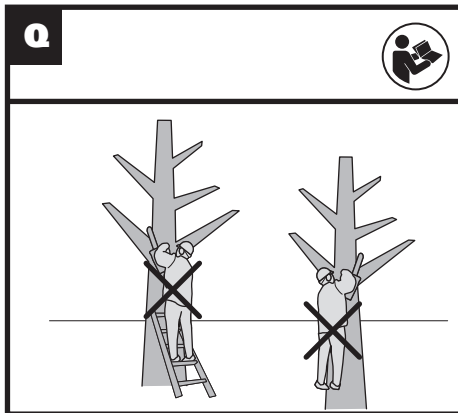
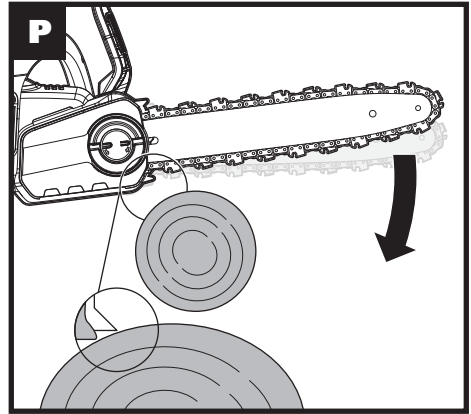
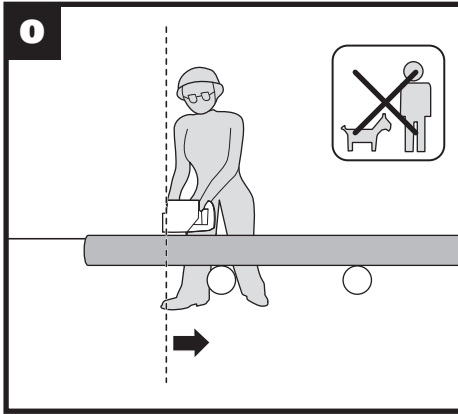
1. CHAIN
2. GUIDE BAR
3. CHAIN BRAKE LEVER (HAND GUARD)
4. FRONT HANDLE
5. BATTERY PACK RELEASE BUTTON
6. LOCK-OUT BUTTON
7. REAR HANDLE
8. REAR HAND GUARD
9. ON/OFF SWITCH
10. BATTERY PACK *
11. OIL LEVEL WINDOW
12. OIL FILLER CAP
13. BUMPER SPIKE
14. CHAIN TENSIONING KNOB
15. CHAIN DIRECTION SYMBOL
16. OIL OUTLET
17. BAR LOCATING TABS
18. FASTENING BAR BOLT
19. BAR PAD
20. DRIVE SPROCKET
21. BAR AND CHAIN STORAGE/ TRANSPORTATION COVER (SHEATH)
22. BAR TENSIONING PLATE (SEE FIG. A2)

* Not all the accessories illustrated or described are included in standard delivery.









INTENDED USE

The Chainsaw is intended for sawing of trees, tree trunks, branches, wooden beams, planks, etc. Cuts can be sawed with or across the grain. This product is not suitable for sawing mineral materials.

ASSEMBLY


 **WARNING! Do not install the battery pack before it has been completely assembled.**
Always use gloves when handling the chain.

CHAIN AND GUIDE BAR ASSEMBLY

1. Unpack all parts carefully. Remove the chain cover by turning the chain tensioning knob in a counter-clockwise direction. (See Fig. A1)
2. Place the Chainsaw on a solid, level surface.
3. Use only genuine Cat® chains or those recommended for Guide Bar.
4. Slide the chain in the slot around the guide bar. Ensure the chain is in correct running direction by comparing it to the chain icon on the guide bar, or referring to the chain direction symbol found on the saw body. Ensure the bar tensioning plate is facing outward. (See Fig. A2)
5. Fit the chain onto the drive sprocket, so that the fastening bar bolt and the two bar locating tabs on the bar pad fit into the keyway of the opening on the guide bar. (See Fig. B1, B2)
6. Assure all parts are seated properly and hold chain and guide bar in a level position. Make sure the drive links are fully seated in the drive sprocket (See Fig. C1), avoiding a kink as shown in Fig. C2. If kink occurs, pick up on the chain at the guide bar just ahead of the kink and then pull the kink out.

NOTE: Chain should rotate freely and be free of kinks.

7. Fit the chain cover and tighten the chain cover by turning the chain tensioning knob clockwise until it is slightly tight. (See Fig. D)

 **WARNING: The chain is not yet tensioned.** Tensioning the chain is described in the section "TENSIONING CHAIN". The chain now needs to be inspected to make sure it is properly tensioned.

TENSIONING CHAIN (See Fig. E, F)

NOTE: New saw chains will stretch. Check the chain tension frequently when first used and tighten when the chain becomes loose around the guide bar.

 **WARNING:**

- Removing the battery pack before adjusting saw chain tension.

- Cutting edges on chain are sharp. Use protective gloves when handling chain.
- Maintain proper chain tension always. A loose chain will increase the risk of kickback. A loose chain may jump out of guide bar groove. This may injure operator and damage chain. A loose chain will cause chain, bar, and sprocket to wear rapidly.

1. Place the Chainsaw on any suitable flat surface.
2. Turn the chain tensioning knob clockwise until it is hand tight.


NOTE: The tension is automatically increased while the chain tensioning knob is being turned in a clockwise direction. The built-in ratchet mechanism prevents the chain tension from loosening.

3. Tilt the saw forward (See Fig. E) where the guide bar tip is pushed in a downward direction. This will remove slack from the chain.
4. Fully tighten the chain tensioning knob by turning it clockwise.
5. Double check the tension set by the automatic chain tensioning knob. The correct chain tension is reached when the chain can be raised approx. Half the driveline depth from the guide bar in the center. This should be done by using one hand to raise the chain against the weight of the machine. (See Fig. F)

NOTE: The chain is properly tensioned when it can be lifted off of the Guide Bar and the driveline is within the rail of the Guide Bar.

NOTE: The chain will stretch while cutting and lose proper tension. When the chain becomes loose, completely unscrew the chain tensioning knob or turn the knob around three full turns in a counter-clockwise direction, then retighten the chain tensioning knob to properly reset the chain tension by repeating Steps 1-5 listed above.

LUBRICATION (See Fig. G)

 **IMPORTANT: The Chainsaw is not filled with oil.** It is essential to fill with oil before use. Never operate the Chainsaw without chain oil or at an empty oil tank level, as this will result in extensive damage to the product.

NOTE: Chain life and cutting capacity depend on optimum lubrication. Therefore, the chain is automatically oiled during operation.

FILLING OIL TANK:

 **WARNING: Removing the battery pack before filling the oil tank.**

1. Set Chainsaw on any suitable surface with oil filler cap facing upward.
2. Clean area around the oil filler cap with cloth and

unscrew the cap by turning it counter clockwise.

3. Add bar and chain oil until tank is full.
4. Avoid dirt or debris entering oil tank, refit oil filler cap and tighten by turning clockwise until hand tight.

IMPORTANT: To allow venting of the oil tank, small breather channels are provided between the oil filler cap and the strainer, to prevent leakage, and ensure machine is left in a horizontal position when not in use.

It is important to use bar and chain lubricant that is formulated to perform over a wide temperature range with no dilution required. This can be found at the location where you purchased this saw or your local hardware store. Do not use dirty, used or otherwise contaminated oils. Damage may occur to the bar or chain. Use of non approved oil will void the warranty. Do not swallow. If swallowed, call a physician immediately. Keep out of reach of children. Store away from heat or open flame.

CHECKING THE AUTOMATIC OILER

Proper functioning of the automatic oiler can be checked by running the Chainsaw and pointing the tip of the guide chain bar towards a piece of cardboard or paper on the ground. If an increasing oil pattern develops on the cardboard, the automatic oiler is operating fine. If there is no oil pattern, despite a full oil reservoir, contact Cat® customer service agent or Cat® approved service agent.

CAUTION: Do not touch the ground with the chain. Ensure safety clearance of 12" (30 cm).

OPERATION

BEFORE USING YOUR CORDLESS TOOL

WARNING! The charger and battery pack are specially designed to work together so do not attempt to use any other devices. Never insert or allow metallic objects into your charger or battery pack connections because of an electrical failure and hazard will occur.







NOTE: Your battery pack is UNCHARGED and you must charge once before use.

The battery charger supplied is matched to the Li-ion battery installed in the machine. Do not use another battery charger.

CHECKING THE BATTERY CHARGE CONDITION (See Fig. H1)

Before starting or after use, press the button beside the power indicator light on the battery pack to check the battery capacity.

NOTE: Fig. H1 only applies for the battery pack with battery indicator light.

Remarks	LED-light	Battery condition
Five green lights are illuminated.		$70\% \leq \text{Power level} \leq 100\%$
Four green lights are illuminated.		$50\% \leq \text{Power level} < 69\%$
Three green lights are illuminated.		$35\% \leq \text{Power level} < 49\%$
Two green lights are illuminated.		$20\% \leq \text{Power level} < 34\%$
One green light are illuminated.		$10\% \leq \text{Power level} < 19\%$
No light is illuminated.		Power level < 10%

CHARGING YOUR BATTERY PACK (See Fig. H2)

The Li-ion battery is protected against deep discharging. When the battery is empty, the machine is switched off by means of a protective circuit. Each battery must be fully charged before the first use. In a warm environment or after heavy use, the battery pack may become too hot to permit charging. Allow time for the battery to cool down before recharging.

TO REMOVE OR INSTALL BATTERY PACK (See Fig. I, J)

Depress the battery pack release button to remove the battery pack from your tool. After recharging, insert the battery pack into the battery port. A simple push and slight pressure will be sufficient until a click is heard. Check to see if the battery is fully secured.

NOTE: When removing the battery pack, hold it firmly to avoid dropping and injury.

SWITCHING ON AND OFF (See Fig. K)

ATTENTION: Check the battery packs before using your cordless tool. Only use the battery pack listed in the accessories section.

For switching on the tool, press the lock-out button,

then fully press the on/off switch and hold in this position. The lock-out button can now be released. For switching off, release the on/off switch.

NOTE: The chain brake must be activated in order for the saw to be switched on.

CHAIN BRAKE LEVER (See Fig. L)

The chain brake lever is a safety mechanism activated through the front hand guard, when kickback occurs. Chain stops immediately.

The following function check should be carried out at regular intervals. Pull the front hand guard towards the operator (position ①) to deactivate chain brake. To activate the chain brake, push front hand guard forwards (position ②).

NOTE: If the saw is unable to start, even though it is assembled properly and working with fully charged battery packs, then you should check if the chain brake lever is in the correct position (position ①).

CUTTING



IMPORTANT: Is the oil tank filled? Check the Oil Level Window prior to starting and regularly during operation (See Fig. M). Refill oil when oil level is low. A full oil tank will last approx. 12 minutes of cutting depending on sawing intensity and stops. Check recent replaced chain tension about every 10 minutes during operation.

- (1) Installing the battery pack into the machine.
- (2) Make sure section of log to be cut is not laying on the ground. This will keep the chain from touching the ground as it cuts through the log. Touching the ground while the chain is moving is dangerous and will dull the chain.
- (3) Use both hands to grip saw. Always use left hand to grip front handle and right hand to grip rear handle. Use a firm grip. Thumbs and fingers must wrap around saw handles. (See Fig. N)
- (4) Make sure your footing is firm. Keep feet-shoulder width apart. Distribute your weight evenly on both feet.
- (5) When ready to make a cut, push the lock-out button completely in with the right thumb and squeeze the trigger. This will turn saw on. Releasing the trigger will turn the saw off. Make sure the saw is running at full speed before starting a cut.
- (6) When starting a cut, slowly place moving chain against the wood. The wood should be as close to the saw body as possible. Hold saw firmly in place to avoid possible bouncing or skating (sideways movement) of saw.
- (7) Guide the saw using light pressure and do not put excessive force on the saw, letting the saw do its work. The motor will overload and can burn out. It

will do the job better and safer at the rate for which it was intended.

- (8) Remove the saw from a cut with the saw running at full speed. Stop the saw by releasing the on/off switch. Make sure the chain has stopped before setting the saw down.
- (9) Keep practicing on scrap logs in a secure working area until you are comfortable, using a fluid motion and a steady cutting rate.

Kickback Safety Devices On This Saw

This saw has a low-kickback chain and reduced kickback Guide Bar. Both items reduce the chance of kickback. However, kickback can still occur with this saw.

The following steps will reduce the risk of kickback.

- Use both hands to grip saw while saw is running. Use firm grip. Thumbs and fingers must wrap around saw handles.
- Keep all safety items in place on saw. Make sure they work properly.
- Do not overreach or cut above shoulder height.
- Keep solid footing and balance at all times.
- Stand slightly to the left side of saw. This keeps your body from being in direct line with chain.
- Do not let Guide Bar nose touch anything when chain is moving.
- Never try cutting through two logs at same time. Only cut one log at a time.
- Do not bury the Guide Bar nose or try plunge cut (boring into wood using guide bar nose).
- Watch for shifting of wood or other forces that may pinch chain.
- Use extreme caution when reentering a previous cut.
- Use only the low-kickback chain and guide bar that were supplied with this Chainsaw or recommended.
- Never use a dull or loose chain. Keep chain sharp with proper tension.

How to use Saw Safely

1. Use the Chainsaw only with secure footing.
2. Hold the Chainsaw at the right-hand side of your body (See Fig. O).
3. The chain must be running at full speed before it makes contact with the wood.
4. Use the bumper spikes to secure the saw onto the wood before starting to cut.
5. Use the Bumper Spikes as a leverage point while cutting. (See Fig. P)
6. Do not operate the Chainsaw with arms fully extended, attempt to saw areas which are difficult to reach, or stand on a ladder while sawing (See Fig. Q).

Never use the Chainsaw above shoulder height.

MAINTENANCE AND STORAGE OF CHAINSAW

1. Remove the battery pack

- When not in use
- Before moving from one place to another
- Before servicing
- Before changing accessories or attachments, such as saw chain and guard

2. Inspect Chainsaw before and after each use.

Check saw closely if guard or other part has been damaged. Check for any damage that may affect operator safety or operation of saw. Check for alignment or binding of moving parts. Check for broken or damaged parts. Do not use Chainsaw if damage affects safety or operation. Have damage repaired by authorized service center.

3. Maintain Chainsaw with care.

- Never expose saw to rain or direct moisture.
- Keep chain sharp, clean, and lubricated for better and safer performance.
- Follow steps outlined in this manual to sharpen chain.
- Keep handles dry, clean, and free of oil and grease.
- Keep all screws and nuts tight.

4. When servicing, use only identical replacement parts.

5. When not in use, always store Chainsaw

- in a high or locked place, out of children's reach
- in a dry place
- with bar and chain cover in place

Bar Maintenance

To maximize bar life, the following bar maintenance is recommended.

The bar rails that carry the chain should be cleaned before storing the tool or if the bar or chain appear to be dirty.

The rails should be cleaned every time the chain is removed.

To clean the Bar rails:

1. Remove chain cover and bar and chain. (see section ASSEMBLY)
2. Using a wire brush, screwdriver or similar tool, clear the residue from the inner groove of the bar. (See Fig. R)
3. Make sure to clean oil passages thoroughly

Conditions which require chain and guide bar maintenance:

- Saw cuts to one side or at an angle.

- Saw has to be forced through the cut.
- Inadequate supply of oil to the bar and chain.

Check the condition of the guide bar each time the chain is sharpened. A worn guide bar will damage the chain and make cutting difficult.

After each use, remove the battery pack, clean all sawdust from the guide bar and sprocket hole.

When rail top is uneven, use a flat file to restore square edges and sides.



Worn Groove

Correct Groove

Replace the guide bar when the groove is worn, the guide bar is bent or cracked, or when excess heating or burring of the rails occurs. If replacement is necessary, use only the guide bar specified for your saw in the repair parts list or on the decal located on the Chainsaw.

Replacing Bar & Chain

Replace chain when cutters are too worn to sharpen or when chain stops. Only use replacement chain noted in this manual.

Inspect guide bar before sharpening chain. A worn or damaged guide bar is unsafe. A worn or damaged guide bar will damage chain. It will also make cutting harder.

Fit the bar tensioning plate tab into the new bar by tightening the screw clockwise. The tab protrusion (a) must be fitted into the bar hole. (See Fig. S)

SHARPENING SAW CHAIN

WARNING: Remove the battery pack before servicing. Severe injury or death could occur from electrical shock or body contact with moving chain.

Cutting edges on chain are sharp. Use protective gloves when handling chain.

Keep chain sharp. Your saw will cut faster and more safely. A dull chain will cause undue sprocket, Guide Bar, chain, and motor wear. If you must force chain into wood and cutting creates only sawdust with few large chips, chain is dull.

LUBRICATE SPROCKET

WARNING: Wear heavy duty gloves when performing any maintenance or service to this tool. Always remove the battery pack before performing any service or maintenance on this tool.

NOTE: It is not necessary to remove the chain or bar when lubricating the guide bar sprocket.

1. Clean the bar and sprocket
2. Using a grease gun, insert the tip of the gun into the

- lubrication hole and inject grease until it appears at the outside edge of the sprocket tip. (See Fig. T)
- To rotate the sprocket pull the chain by hand until the ungreased side of the sprocket is in line with the grease hole. Repeat the lubrication procedure.

FOR BATTERY TOOLS

The ambient temperature range for the use and storage of tool and battery is 32-113°F (0°C-45°C). The recommended ambient temperature range for the charging system during charging is 32 -104°F (0°C-40°C).

SAW MAINTENANCE

Follow maintenance instructions in this manual. Proper cleaning of saw and chain and Guide Bar maintenance can reduce chances of kickback. Inspect and maintain saw after each use. This will increase the service life of your saw.

NOTE: Even with proper sharpening, risk of kickback can increase with each sharpening.

TROUBLESHOOTING TABLE

The following table gives checks and actions that you can perform if your machine does not operate correctly. If these do not identify/remedy the problem, contact your service agent.

WARNING: Switch off and remove the battery pack before investigating fault.

Symptom	Possible Cause	Remedy
Chainsaw fails to operate	Low battery charge. Chain brake not in the proper position.	Charge both the battery packs. Check to see if the chain brake is in position ①. Refer to CHAIN BRAKE for details.
Chainsaw operates intermittently	Over heating Applying too much pressure while cutting. Loose connection. Internal wiring defective. On/Off switch defective.	Place the machine in a cool, ventilated place to cool it down. Applying relatively less pressure while cutting. Contact service agent. Contact service agent. Contact service agent.
Dry chain	No oil in reservoir. Vent in oil filler cap clogged. Oil passage clogged.	Refill oil. Clean cap. Clean oil passage outlet.
Kickback Brake/Run Down Brake	Brake does not stop chain	Contact service agent.
Chain/chain bar over-heats.	No oil in reservoir. Vent in oil filler cap clogged. Oil passage clogged. Chain is over tensioned. Dull chain.	Refill oil. Clean cap. Clean oil passage outlet. Adjust chain tension. Sharpen chain or replace.
Chainsaw rips, vibrates, does not saw properly.	Chain tension too loose. Dull chain. Chain worn out. Chain teeth are facing in the wrong direction.	Adjust chain tension. Sharpen chain or replace. Replace chain. Reassemble with chain in correct direction.

TABLE DES MATIÈRES

INSTRUCTIONS DE SÉCURITÉ IMPORTANTES	21
SYMBOLES.....	28
SPÉCIFICATIONS.....	29
LISTE DES COMPOSANTS.....	31
ASSEMBLAGE	32
OPÉRATION.....	33
ENTRETIEN	34
TABLEAU DE DÉPANNAGE.....	37

SÉCURITÉ DU PRODUIT



AVERTISSEMENT! Certaines des poussières produites en utilisant des outils électriques sont considérées par l'État de Californie comme susceptibles de provoquer le cancer, des anomalies congénitales et d'autres problèmes de reproduction. Voici des exemples de ces produits chimiques:

- plomb issu de peinture à base de plomb
- silice cristalline issue de briques et du ciment et autres produits de maçonnerie
- arsenic et chrome issus de bois traité chimiquement

Votre risque de ces expositions varie en fonction de la fréquence à laquelle vous effectuez ce travail. Pour réduire votre exposition à ces produits chimiques : travaillez dans une zone bien ventilée; portez un équipement de sécurité approuvé, tel que des masques antipoussières spécialement conçus pour éliminer les particules microscopiques par filtrage.



AVERTISSEMENT : Ce dispositif peut vous exposer aux produits chimiques notamment le plomb et le di-phtalate (de 2-éthylhexyle) (DEHP) qui sont reconnus dans l'État de Californie comme causant des cancers et des anomalies congénitales ou d'autres anomalies de la reproduction. Pour en savoir plus, veuillez consulter le site www.P65Warnings.ca.gov.

AVERTISSEMENTS GENERAUX CONCERNANT LA SECURITE DES OUTILS ELECTRIQUES



AVERTISSEMENT! Lisez et assimilez toutes les instructions. Le non-respect des instructions ci-après peut entraîner un risque de choc électrique, d'incendie et/ou de blessures graves.

Conservez tous les avertissements et instructions pour pouvoir les consulter ultérieurement.

L'expression « outil électrique » dans tous les avertissements énumérés ci-dessous se réfère à votre outil électrique fonctionnant sur secteur (branché) ou à batterie (sans-fil).

1. AIRE DE TRAVAIL

- Veillez à ce que l'aire de travail soit propre et bien éclairée.** *Le désordre et le manque de lumière favorisent les accidents.*
- N'utilisez pas d'outils électriques dans un milieu présentant un risque d'explosion, par exemple en présence de liquides, de gaz ou de poussières**

inflammables. Les outils électriques créent des étincelles qui pourraient enflammer les poussières ou les vapeurs.

- Gardez à distance les curieux, les enfants et les visiteurs lorsque vous travaillez avec un outil électrique.** *Ils pourraient vous distraire et vous faire faire une fausse manœuvre.*

2. SÉCURITÉ ÉLECTRIQUE

- Les fiches des outils électriques doivent correspondre aux prises murales. Ne jamais modifier la fiche de quelque façon que ce soit. Ne pas utiliser de fiches d'adaptation avec des outils électriques mis à la terre (mis à la masse).** *Des fiches non modifiées et des prises qui leur correspondent réduiront le risque de choc électrique.*
 - Évitez tout contact corporel avec des surfaces mises à la terre (tuyauterie, radiateurs, cuisinières, réfrigérateurs, etc.).** *Le risque de choc électrique est plus grand si votre corps est en contact avec la terre.*
 - N'exposez pas les outils électriques à la pluie ou à l'eau.** *La présence d'eau dans un outil électrique augmente le risque de choc électrique.*
 - Ne maltraitez pas le cordon. Ne transportez jamais l'outil par son cordon et ne débranchez jamais la fiche en tirant sur le cordon. N'exposez pas le cordon à la chaleur, à des huiles, à des arrêtes vives ou à des pièces en mouvement.** *Un cordon endommagé augmente le risque de choc électrique.*
 - Lorsque vous utilisez un outil électrique à l'extérieur, utilisez un prolongateur adapté à une utilisation en extérieur.** *L'utilisation d'un cordon adapté à une utilisation extérieure réduit le risque de choc électrique.*
 - Si vous devez utiliser un outil électrique dans un endroit humide, utilisez un dispositif de courant résiduel (RCD) d'alimentation protégée.** *L'utilisation d'un RCD réduit le risque de choc électrique.*
- ### 3. SÉCURITÉ DES PERSONNES
- Restez alerte, concentrez-vous sur votre travail et faites preuve de bon sens. N'utilisez pas un outil électrique si vous êtes fatigué ou sous l'influence de drogues, d'alcool ou de médicaments.** *Un instant d'inattention lors de l'utilisation d'outils électriques peut entraîner des blessures graves.*
 - Utilisez des accessoires de sécurité. Portez toujours une protection oculaire.** *De l'équipement de sécurité tel que le masque antipoussiériste, les chaussures de sécurité antidérapantes, des*

casques durs ou des protections antibruit utilisés dans des conditions appropriées réduiront les blessures corporelles.

- c) **Évitez les démarrages accidentels. Avant d'insérer la batterie dans l'outil, assurez-vous que son interrupteur est en position « OFF » (Arrêt) ou verrouillée.** *Le fait de transporter un outil avec le doigt sur la détente/l'interrupteur ou d'insérer la batterie dans un outil dont la détente est en position « ON » (Marche) peut causer un accident.*
- d) **Retirer les clés de réglage avant de mettre l'outil sous tension.** *Une clé restée attachée à une partie mobile de l'outil pourrait entraîner des blessures corporelles.*
- e) **Ne vous penchez pas trop en avant. Maintenez un bon appui et restez en équilibre en tout temps.** *Une bonne stabilité vous permet de mieux réagir à une situation inattendue.*
- f) **Habillez-vous convenablement. Ne portez ni vêtements flottants ni bijoux. Gardez les cheveux, les vêtements et les gants éloignés des pièces en mouvement.** *Les vêtements flottants, les bijoux ou les cheveux longs risquent d'être happés par des pièces en mouvement.*
- g) **Un sac de récupération de la poussière est fourni avec un connecteur pour aspirateur, assurez vous qu'il est correctement relié et utilisé de façon appropriée.** *L'utilisation de ce système réduit les dangers physiques et physiologiques liés à la poussière.*
- h) **Ne laissez pas les habitudes acquises par une utilisation fréquente d'outils relâcher notre vigilance et ignorer les principes de sécurité des outils.** *Une utilisation négligente peut causer des blessures graves en une fraction de seconde.*

4. UTILISATION ET ENTRETIEN DE L'OUTIL

- a) **Ne forcez pas l'outil. Utilisez l'outil approprié à la tâche. L'outil approprié fonctionne mieux et de façon plus sécuritaire.** *Respectez aussi la vitesse de travail qui lui est propre.*
- b) **N'utilisez pas un outil si l'interrupteur ne le met pas en marche ou ne peut l'arrêter.** *Un outil qui ne peut être contrôlé par l'interrupteur est dangereux et doit être réparé.*
- c) **Débranchez la batterie de l'outil ou mettez son interrupteur en position « OFF » (Arrêt) ou « LOCKED » (Verrouillé) avant d'effectuer un réglage, de changer d'accessoire ou de ranger l'outil.** *De telles mesures de sécurité préventive réduisent le risque de démarrage accidentel de l'outil.*
- d) **Rangez les outils hors de portée des enfants et d'autres personnes inexpérimentées.** *Les outils*

sont dangereux dans les mains d'utilisateurs novices.

- e) **Prenez soin de bien entretenir les outils. Soyez attentif à tout désalignement ou coincement des pièces en mouvement, à tout bris ou à toute autre condition préjudiciable au bon fonctionnement de l'outil.** *Si vous constatez qu'un outil est endommagé, faites-le réparer avant de vous en servir. De nombreux accidents sont causés par des outils en mauvais état.*
- f) **Les outils de coupe doivent être toujours bien affûtés et propres.** *Des outils bien entretenus, dont les arêtes sont bien tranchantes, sont moins susceptibles de se coincer et plus faciles à contrôler.*
- g) **Utilisez l'outil électrique, les accessoires et les forêts etc., en conformité avec ces instructions et de la manière conçue pour le type particulier d'outil électrique, prend en compte les conditions de travail et le travail qui doit être accompli.** *L'emploi de l'outil électrique pour des opérations différentes de celles pour lesquelles il a été conçu pourrait entraîner une situation dangereuse.*
- h) **Maintenez les poignées et les surfaces de prise sèches, propres et exemptes d'huile et de graisse.** *Des poignées et surfaces de prise glissantes ne permettent pas une manipulation et un contrôle sécurisés de l'outil dans des situations inattendues.*

5. UTILISATION DE LA BATTERIE ET ENTRETIEN

- a) **Un outil à batterie avec batteries incorporées ou une batterie séparée doit être rechargé uniquement avec le chargeur indiqué pour la batterie.** *Un chargeur qui peut être adéquat pour un type de batterie peut créer un risque d'incendie lorsqu'il est utilisé avec une autre batterie.*
- b) **Utiliser un outil à batterie uniquement avec la batterie désignée.** *L'emploi de toute autre batterie peut créer un risque d'incendie.*
- c) **Lorsque la batterie n'est pas utilisée, tenez-la à l'écart d'autres objets métalliques tels que trombones, pièces de monnaie, clés, clous, vis ou autres petits objets métalliques susceptibles d'établir une connexion d'une borne à une autre.** *Le court-circuitage des bornes de batterie peut causer des étincelles, des brûlures, une explosion ou un incendie.*
- d) **Dans le cadre de conditions d'abus, du fluide peut être éjecté de la batterie, évitez tout contact. Si un contact se produisait accidentellement, rincez abondamment avec de l'eau.** *Si le fluide touche les yeux, cherchez en plus de la mesure précédente de l'aide médicale. Le fluide éjecté de la batterie*

peut causer des irritations ou des brûlures.

- e) **N'utilisez pas une batterie ou un outil endommagé ou modifié.** Les batteries endommagées ou modifiées peuvent avoir un comportement imprévisible entraînant un incendie, une explosion ou un risque de blessure.
- f) **N'exposez pas une batterie ou un outil au feu ou à une température excessive.** Une exposition au feu ou à une température supérieure à 130 °C (266 °F) pourrait provoquer une explosion.
- g) **Respectez toutes les instructions de chargement et ne chargez pas la batterie ou l'outil en dehors de la plage de température spécifiée dans les instructions.** Un chargement incorrect ou à des températures en dehors de la plage spécifiée peut endommager la batterie et augmenter le risque d'incendie.

6. ENTRETIEN

- a) **Ayez votre outil électrique entretenu par un réparateur agréé n'utilisant que des pièces de rechange identiques.** Cela assurera que la sécurité de l'outil électrique est maintenue.
- b) **Ne jamais tenter de réparer des batteries endommagées.** L'entretien et la réparation des batteries doit uniquement être effectué par le fabricant ou par des centres de services agréés.

1) CONSIGNES DE SÉCURITÉ POUR LA SCIE À CHAÎNE

- a) **Tenez la scie à chaîne bien éloignée des parties de votre corps lorsque celle-ci est en marche.** Avant de mettre en marche la scie à chaîne, veillez à ce qu'elle ne soit en contact avec aucun objet. Vos vêtements peuvent s'accrocher à la scie à chaîne ou alors votre corps peut s'y coller pendant un moment d'inattention lors du fonctionnement du matériel.
- b) **Toujours tenir la poignée arrière de la scie à chaîne avec votre main droite et la poignée avant avec votre main gauche.** Évitez d'inverser la position des mains, car ceci pourrait augmenter le risque de blessure et ne doit jamais être fait.
- c) **Tenez l'outil électrique par ses surfaces de prise isolées uniquement, car la chaîne de la scie peut entrer en contact avec un câblage dissimulé ou son propre câble.** Les chaînes de la scie qui entrent en contact avec un câble conducteur peuvent rendre conducteurs les pièces en métal de l'outil électrique et causer ainsi un choc électrique à l'opérateur.
- d) **Portez des lunettes de sécurité et des protège-oreilles.** Des équipements de protection supplémentaires pour la tête, les mains, les jambes et les pieds sont recommandés. Portez des vêtements de protection adaptés afin de réduire les risques de blessure par des débris volants ou d'éviter un contact accidentel avec la chaîne de scie.
- e) **Ne pas utiliser la scie d'élagage sur une échelle, d'un toit, ou tout support instable.** Faire fonctionner une scie à chaîne tout en haut d'un arbre peut entraîner des blessures.
- f) **Gardez toujours une bonne assise et ne faites fonctionner la scie à chaîne que lorsque vous êtes debout sur une surface fixe, sécurisée et plane.** Les surfaces glissantes ou instables telles que les échelles peuvent entraîner une perte d'équilibre ou de contrôle de la scie à chaîne.
- g) **Lors de la coupe d'une branche sous tension, faites attention au retour de celle-ci.** Lorsque la tension des fibres de bois est relâchée, la branche semblable à un ressort peut frapper l'opérateur et/ou rendre la scie à chaîne incontrôlable
- h) **Soyez extrêmement prudent lors de la coupe de la broussaille et des jeunes arbres.** Le matériau fin peut être pris dans la chaîne et vous frapper ou vous faire perdre l'équilibre.
- i) **Portez la scie à chaîne par la poignée avant lorsqu'elle est en arrêt, et éloignez-la de votre corps.** Lors du transport ou du stockage de la scie à chaîne, toujours rabattre le protecteur de guide-chaîne. Une manipulation appropriée de la scie à chaîne permettra de réduire la probabilité de contact accidentel avec la chaîne en mouvement.
- j) **Respectez les instructions relatives à la lubrification, à la tension de la chaîne et au remplacement des accessoires.** Une chaîne ayant une tension inappropriée ou mal lubrifiée peut soit casser ou augmenter le risque de recul.
- k) **Uniquement destinée à la coupe de bois.** Évitez d'utiliser une scie à chaîne à d'autres fins que celles prévues. Par exemple : évitez d'utiliser une scie à chaîne pour couper des matières plastiques, du matériau de maçonnerie ou des matériaux de construction autre que le bois. L'utilisation de la scie à chaîne à d'autres fins que celle prévue pourrait entraîner une situation dangereuse.
- l) **N'essayez pas d'abattre un arbre tant que vous n'avez pas compris les risques et la façon de les éviter.** Il y a un risque de blessures graves pour l'opérateur ou les passants pendant l'abattage d'un arbre.
- m) **N'utilisez de tronçonneuse sur un arbre à moins**

d' avoir été spécialement formé pour le faire.

L'utilisation d'une tronçonneuse sur un arbre sans formation appropriée pourrait augmenter le risque de blessures graves.

- n) **Suivez toutes les instructions pour nettoyer les matériaux coincés, ranger ou entretenir la scie d'élagage. Assurez-vous que la machine est désactivée et que la batterie est retirée. Le démarrage inattendu de la scie d'élagage pendant le nettoyage du matériau coincé ou l'entretien peut entraîner des blessures graves.**
 - o) **En cas de première utilisation, il est recommandé d'apprendre à utiliser la scie pour couper des bûches sur un chevalet ou un support de sciage.**
 - p) **Il est recommandé de confier l'affûtage et l'entretien de la chaîne de scie à des ateliers d'entretien agréés.**
- b) **Évitez de trop vous pencher en avant et de couper à une hauteur au-dessus du niveau des épaules. Cela permet d'éviter tout contact involontaire avec l'embout et permet un meilleur contrôle de la scie à chaîne en cas de situation inopinée.**
 - c) **Utilisez uniquement des barres et chaînes de rechange spécifiées par le fabricant. Les barres et chaînes de rechange inadaptées peuvent provoquer une cassure et/ou recul de la chaîne.**
 - d) **Respectez les instructions relatives à l'affûtage et à l'entretien de la chaîne de la scie fournies par le fabricant. Diminuer la hauteur du limiteur de profondeur peut entraîner une augmentation de recul.**

2) CAUSES ET PRÉVENTION DU REcul DE L'OPÉRATEUR :

Un recul peut se produire lorsque le nez ou le bout de la guide-chaîne touche un objet ou lorsque le bois se resserre et pince la chaîne de la tronçonneuse dans la coupe.

Dans certains cas, un contact du bout peut provoquer une réaction inverse extrêmement rapide, propulsant la guide-chaîne vers le haut et vers l'arrière en direction de l'opérateur. Un pincement de la chaîne de la tronçonneuse le long de la partie supérieure de la guidechaîne peut repousser rapidement la guide-chaîne vers l'opérateur. Ces réactions peuvent toutes deux provoquer une perte de contrôle de la tronçonneuse pouvant entraîner des blessures graves pour l'utilisateur.

Ne pas compter exclusivement sur les dispositifs de sécurité de la scie. En tant qu'utilisateur d'une scie à chaîne, vous devez prendre des mesures nécessaires pour effectuer vos travaux de coupe sans accident ou blessure.

Le recul est le résultat d'une mauvaise utilisation de l'outil et/ou du non-respect des procédures ou conditions d'utilisation, il peut être évité en respectant les précautions indiquées ci-dessous :

- a) **Tenez fermement l'équipement, les pouces et les doigts refermés sur les deux poignées ; vous devez tenir la scie à chaîne avec vos deux mains et votre corps et vos bras doivent être placés dans une position qui vous permet de résister aux forces de recul. Les forces de recul peuvent être contrôlées par l'opérateur, si les précautions nécessaires sont prises. Évitez de lâcher la scie à**

chaîne.

- b) **Évitez de trop vous pencher en avant et de couper à une hauteur au-dessus du niveau des épaules. Cela permet d'éviter tout contact involontaire avec l'embout et permet un meilleur contrôle de la scie à chaîne en cas de situation inopinée.**
- c) **Utilisez uniquement des barres et chaînes de rechange spécifiées par le fabricant. Les barres et chaînes de rechange inadaptées peuvent provoquer une cassure et/ou recul de la chaîne.**
- d) **Respectez les instructions relatives à l'affûtage et à l'entretien de la chaîne de la scie fournies par le fabricant. Diminuer la hauteur du limiteur de profondeur peut entraîner une augmentation de recul.**

CONSIGNES GÉNÉRALES DE SÉCURITÉ CONCERNANT LA BATTERIE

- a) **Ne pas démonter, ouvrir ou déchiqueter le bloc batterie.**
- b) **Ne pas exposer le bloc batterie à la chaleur ou au feu. Évitez de ranger la batterie dans un endroit exposé à la lumière directe du soleil.**
- c) **Ne pas court-circuiter une batterie. Ne stockez pas les blocs batterie en vrac dans une boîte ou un tiroir où ils peuvent se court-circuiter ou être court-circuités par d'autres objets métalliques. Lorsque le bloc batterie n'est pas utilisé, conservez-le loin d'autres objets métalliques, tels que des trombones, des pièces de monnaie, des clés, des clous, des vis ou d'autres objets métalliques de petite taille, qui pourraient établir une connexion d'un terminal à l'autre. Le fait de créer un court-circuit entre les bornes de la batterie peut causer des brûlures ou des incendies.**
- d) **Ne pas soumettre la batterie à des chocs mécaniques.**
- e) **En cas de fuite de la batterie, ne pas laisser le liquide entrer en contact avec la peau ou les yeux. Si un contact a été effectué, laver la zone touchée avec beaucoup d'eau et consulter un médecin.**
- f) **Ne pas utiliser de batterie qui n'a pas été conçue pour être utilisée avec cet appareil.**
- g) **Maintenez la batterie hors de portée des enfants.**
- h) **Achetez toujours une batterie recommandée par le fabricant de l'appareil.**
- i) **Conservez le bloc batterie propre et sec.**
- j) **Essayez les bornes de la batterie avec un chiffon**

propre et sec si elles deviennent sales.

- k) **La batterie doit être chargée avant son utilisation. Utilisez toujours le chargeur adapté et reportez-vous aux instructions du fabricant ou au manuel de l'équipement pour suivre les instructions concernant la procédure de charge.**
- l) **Ne laissez pas le bloc batterie en charge prolongée lorsqu'il n'est pas utilisé.**
- m) **Après de longues périodes de stockage, il peut être nécessaire de charger et de décharger la batterie plusieurs fois pour obtenir des performances optimales.**
- n) **Rechargez le bloc batterie uniquement avec le chargeur spécifié par Cat®. N'utilisez pas un chargeur autre que celui spécifiquement conçu pour être utilisé avec l'équipement.**
- o) **Conservez la documentation originale du produit pour référence ultérieure.**
- p) **Utilisez uniquement la batterie dans l'application pour laquelle elle a été prévue.**
- q) **Retirez la batterie de l'équipement lorsqu'il n'est pas utilisé.**
- r) **Éliminez la batterie de façon adéquate.**
- s) **Ne pas mélanger des cellules de fabricants, de capacités, de tailles ou de type différents dans un appareil.**
- t) **N'exposez pas la batterie à des micro-ondes et de la haute pression.**

CONSERVEZ CES INSTRUCTIONS

Les instructions relatives aux techniques de coupe, d'abattage, d'ébranchage et de tronçonnage de base appropriées.

1. Coupe d'un arbre

Si deux ou plusieurs personnes participent aux travaux de tronçonnage et d'abattage en même temps, prévoir un espace suffisant entre les différentes opérations. Il faut une distance au moins égale à deux fois la hauteur de l'arbre à abattre.

Lors de l'abattage d'un arbre, bien étudier les alentours. Ne mettre personne en danger. Veiller à ne pas heurter de lignes de services publics et à ne pas causer de dégâts matériels. Si l'arbre heurte une ligne de service public, contacter immédiatement les responsables.

Lors de l'abattage d'un arbre, rester du côté amont de la pente car il pourrait rouler ou glisser après sa chute.

Avant d'abattre un arbre, prévoir un chemin de dégagement et le dégager. Le chemin de fuite devrait s'étendre à l'arrière et en diagonale derrière la ligne de chute prévue comme illustrée dans la figure 1.

Étudier l'inclinaison naturelle de l'arbre, l'emplacement des grosses branches et la direction du vent. Ceci aide à juger où l'arbre va tomber. Débarrasser l'arbre où l'on va effectuer les entailles de saleté, cailloux, écorce détachée, clous, agrafes et fil de fer qui pourraient s'y trouver.

2. Siff et d'abattage

Faites une entaille de 1/3 de diamètre de l'arbre, perpendiculairement à la direction de chute comme illustré sur la figure 1. Faire l'entaille horizontale (W) la plus basse en premier ce qui aidera à éviter le pincement de la scie à chaîne ou de la barre guide lorsque la seconde entaille (X) est effectuée.

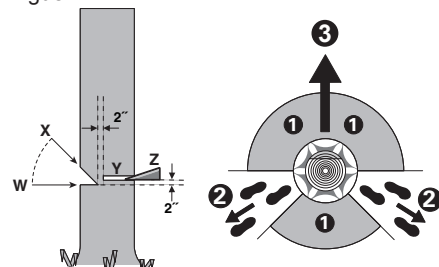
3. Coupe opposée

Faites une coupe opposée (Y) d'au moins 50 mm plus haute que la coupe horizontale par encochage, selon l'illustration de la figure 1. Gardez la coupe opposée parallèle à la coupe horizontale par encochage. Réalisez la coupe opposée de telle sorte qu'une grande quantité de bois serve plus tard comme une charnière. La charnière du bois empêche l'arbre de se tordre et de tomber dans la mauvaise direction. Évitez de couper à travers la charnière.

Lorsque la coupe d'abattage approche du dos, l'arbre devrait commencer à tomber. S'il s'avère que l'arbre ne tombe probablement pas dans la direction souhaitée ou qu'il se penche vers l'arrière et que la chaîne de la tronçonneuse coince, interrompre la coupe et utiliser des coins en bois, en matière plastique ou en aluminium (Z) pour faire revenir l'arbre dans la direction souhaitée et pour ouvrir la coupe (③).

Lorsque l'arbre commence à tomber, sortir la tronçonneuse de la coupe, l'arrêter, la poser par terre et quitter la zone de danger par la voie d'issue prévue (②). Faire attention aux branches qui tombent et à ne pas trébucher. (Voir Fig. 1)

Figure 1

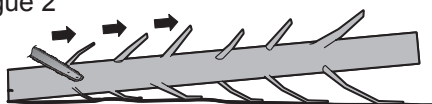


4. ÉBRANCHAGE

L'ébranchage est la coupe des branches d'un arbre tombé. Ne pas retirer les grosses branches sous

l'arbre qui soutient le tronc surélevé. Retirer chaque branche d'une seule coupe. Pour éviter le pincement, entamer l'entaille sur des branches libres, à partir du dessus de la branche. (Fig.2) Pour les branches sous tension, entamer l'entaille à partir du dessous de la branche.

Figure 2

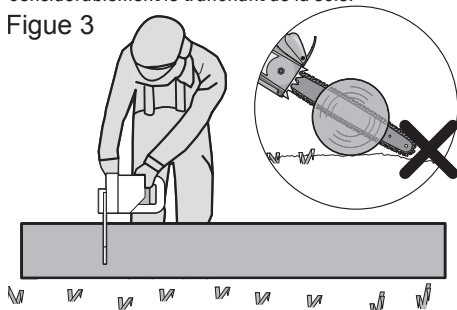


5. TRONÇONNAGE D'UNE BILLE

Le tronçonnage d'une bille se fait en la coupant en tronçons. Veiller à maintenir un bon équilibre. Garder les pieds écartés. Répartir le poids également sur les deux pieds. Se tenir légèrement à gauche de la tronçonneuse. Ceci évite que le corps ne soit en prolongement direct de la chaîne. Autant que possible, soulever la bille ou le tronçon audessus du sol. Pour ce faire, utiliser des branches, tronçons, cales, etc. Procéder de la façon suivante pour tronçonner une bille.

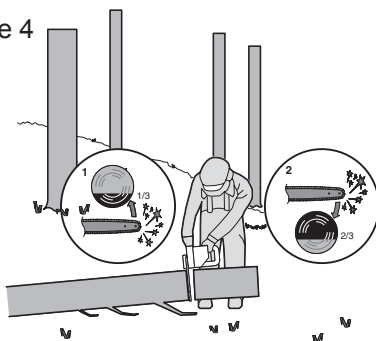
Lorsque la bûche est soutenue sur toute sa longueur, comme illustré à la figure 3, elle est coupée par le haut (au-dessus du bâti), évitez de la couper à partir du sol, évitez tout contact avec le sol car cela réduira considérablement le tranchant de la scie.

Figure 3



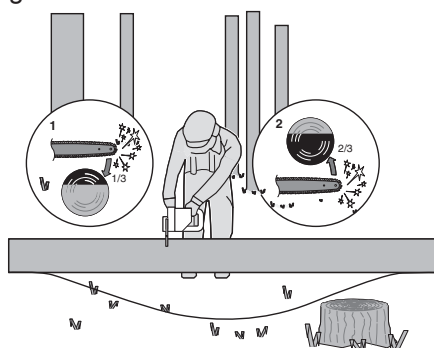
Lorsque la bûche est soutenue à partir d'une extrémité, comme illustré à la figure 4, veuillez couper 1/3 du diamètre de la partie inférieure (au-dessous du bâti) (1). Puis, réalisez la coupe finale en-dessous (2) du bâti de sorte qu'elle soit conforme à la coupe initiale.

Figure 4



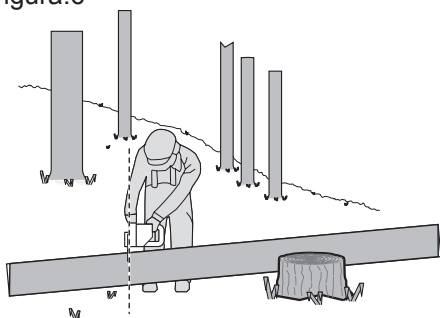
Quand le billot est soutenu aux deux bouts (Fig. 5), tel qu'illustré, coupez 1/3 le diamètre à partir du tronçonnage au sommet (1). Par la suite, terminez la coupe en tronçonnant (2) le 2/3 plus pas pour rencontrer la première coupe.

Figure 5



Lors du tronçonnage sur une pente, toujours se tenir vers le haut de la grume comme illustré à la figure 6. Lors de la « réalisation de la coupe », pour maintenir un contrôle complet, relâchez la pression de coupe près de la fin de coupe sans relâcher votre prise sur les poignées de la scie à chaîne. Évitez de laisser la chaîne toucher le sol. Après avoir terminé la coupe, laissez s'arrêter la chaîne de la scie avant de déplacer la scie à chaîne. Toujours arrêter le moteur avant de passer d'un arbre à un arbre.

Figura.6



call2recycle®

POSITEC Inc. a formé un partenariat avec RBRC Corporation pour le recyclage des batteries Positec portant le sceau RBRC-call2recycle. Pour la protection de l'environnement, veuillez à ne pas jeter les batteries aux poubelles. À la fin du cycle de vie de la batterie, appelez 1-800-822-8837 pour un service gratuit qui mettra la batterie au rebut selon les règles de l'art.

SYMBOLES



Afin de réduire les risques de blessure, l'utilisateur doit lire ce mode d'emploi



Avertissement



Portez un protecteur oculaire



Portez une protection auditive



Portez un masque antipoussières



Batterie Li-Ion. Les batteries doivent être recyclées en collecte sélective.

Li-Ion



Ne pas jeter au feu



Les batteries peuvent s'introduire dans le cycle de l'eau si elles sont éliminées de manière inappropriée, ce qui peut être dangereux pour l'écosystème. Ne pas éliminer les batteries usagées avec les déchets municipaux non triés.



Méfiez-vous des reculs de la scie d'élagage et évitez tout contact avec la pointe de la barre



Tenez la tronçonneuse adéquatement avec les deux mains.



Évitez de laisser l'équipement sous la pluie



Portez un casque de protection



Portez des gants de protection



Déverrouiller



Verrouiller

DONNÉES TECHNIQUES

Type DG630 DG630.9 DG631 DG631.9 (3 - Désignation des machines, modèle de tronçonneuse à batterie)

	DG630	DG630.9	DG631	DG631.9
Tension Nominale	60 V \approx Max. **			
Longueur du guide	40 cm (16")		45 cm (18")	
Vitesse de chaîne	22 m/s (72 ft/s)		24 m/s (79 ft/s)	
Capacité du réservoir d'huile	190 ml (6.7 oz.)			
Pas de chaîne	0.95 cm (3/8" LP)			
Indicateur de chaîne	1.1 mm (0.043")			
Temps de recharge	50 mins	/	100 mins	/
Poids de l'outil	5.9 kg (13 lbs)	4.3 kg (9.6 lbs)	7.4 kg (16.3 lbs)	4.6 kg (10.2 lbs)

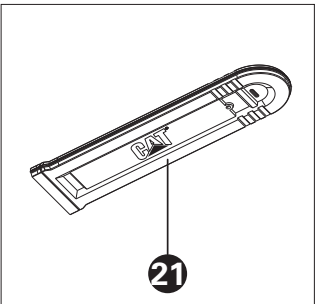
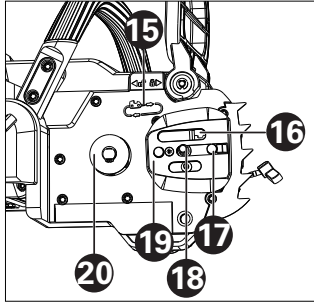
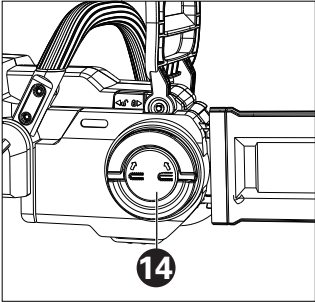
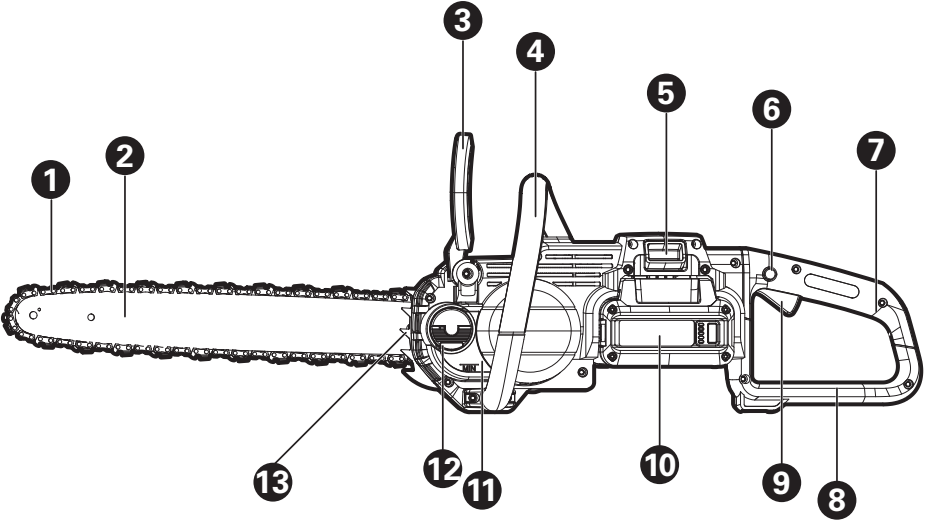
** Tension mesurée hors fonctionnement. La tension initiale de la batterie atteint le maximum de 60 volts. La tension nominale est de 54 V.

ACCESSOIRES

	DG630	DG630.9	DG631	DG631.9
Chaîne	1	1	1	1
Guidechaîne	1	1	1	1
Couvercle de protection pour la lame	1	1	1	1
Bloc-piles (DG6B25)	1	/	/	/
Bloc-piles (DG6B5)	/	/	1	/
Chargeur (DG6C3)	1	/	1	/

Nous vous recommandons d'acheter tous vos accessoires au même magasin où vous avez acheté l'outil. Pour de plus amples renseignements, consultez l'emballage de l'accessoire. Le personnel du magasin peut également vous conseiller.

FR



LISTE DES ÉLÉMENTS

1. CHAÎNE
2. GUIDECHAÎNE
3. POIGNÉE DE FREIN DE CHAÎNE (PROTÈGE-MAINS)
4. POIGNÉE AVANT
5. MÉCANISME DE RETENUE DU BLOC-PILES
6. POINTE PARE-CHOC
7. POIGNÉE ARRIÈRE
8. ÉCRAN DE PROTECTION ARRIÈRE DE LA MAIN
9. COMMUTATEUR/ ACTIONNEUR
10. BLOC-PILES *
11. ÉCRAN DE PROTECTION ARRIÈRE DE LA MAIN
12. BOUCHON D'HUILE
13. BOUTON DE VERROUILLAGE
14. BOUTON DE VERROUILLAGE / POIGNÉE DE TENSIONNEMENT DE LA CHAÎNE
15. SYMBOLE DE DIRECTION DE LA CHAÎNE
16. SORTIE D'HUILE
17. DOIGTS DE GUIDAGE POUR GUIDE-CHAÎNE
18. BOULON DE BARRE DE FIXATION
19. SERRE LAME
20. PIGNON D'ENTRAÎNEMENT
21. COUVERCLE DE PROTECTION POUR LA LAME (GAINE)
22. DOIGT D'ENTRAÎNEMENT DU TENSIONNEMENT DE LA CHAÎNE (VOIR FIG. A2)

* Tous les accessoires illustrés ou décrits ne sont pas inclus dans une livraison standard.

UTILISATION PRÉVUE

La scie à chaîne est prévue pour le sciage des arbres, des troncs d'arbre, des branches, des poutres en bois, des planches, etc. Les coupes peuvent être sciées avec ou en travers du grain du bois. Ce produit n'est pas approprié pour le sciage des matières minérales.

ASSEMBLAGE

 **AVERTISSEMENT!** N'installez pas la batterie avant qu'elle ne soit complètement assemblée.


Porter des gants de protection pour manipuler la chaîne.

ASSEMBLAGE DU GUIDE-CHAÎNE ET DE LA CHAÎNE

1. Déballez les pièces avec précaution. Retirez le couvercle de la chaîne en tournant le bouton de tension de la chaîne dans le sens antihoraire. (Voir Fig. A1)
2. Placez la tronçonneuse sur une surface plane.
3. Utilisez uniquement les tronçonneuses Cat® ou celles recommandées pour la barre de guidage.
4. Glissez la chaîne dans la fente autour du guide-chaîne. Assurez-vous que la chaîne tourne dans le bon sens en faisant une comparaison avec l'icône de la chaîne qui se trouve sur la barre de guidage, ou en se référant au symbole de direction de la chaîne se trouvant sur le corps de scie. Assurez-vous que le doigt d'entraînement du tensionnement de la chaîne est face à l'extérieur. (Voir Fig. A2)
5. Placez la chaîne autour du pignon d'entraînement, de sorte que le boulon de la barre de fixation et les deux pattes de centrage de la barre sur la bride de serrage correspondent parfaitement avec la rainure de clavette de l'ouverture sur la barre de guidage. (Voir Fig. B1, B2)
6. S'assurer que toutes les pièces sont fixées au bon endroit et maintiennent le guide-chaîne horizontalement. Assurez-vous que les maillons d'entraînement soient bien en place sur le pignon d'entraînement (Voir Fig. C1), évitez les plis comme illustré en Fig. C2. En cas de plis, redressez la chaîne sur la barre de guidage juste avant le pli et tirez sur la chaîne.

REMARQUE: La chaîne doit tourner librement et ne pas avoir de plis.

7. Monter le capot de la chaîne et verrouillez le capot de la chaîne en tournant le bouton de tension de la chaîne dans le sens des aiguilles d'une montre jusqu'à ce qu'il soit légèrement vissé. (Voir Fig. D)

 **MISE EN GARDE:** La chaîne n'est pas encore tensionnée. Pour la tension de la chaîne, elle est décrite dans la section « Tension de la chaîne ». Il faut, à ce point, vérifier que la chaîne est bien tendue.

TENSION DE LA CHAÎNE (Voir Fig. E, F)

REMARQUE: Les nouvelles chaînes ont tendance à s'étirer. Vérifiez fréquemment la tension de la chaîne les premières fois que vous vous en servez; resserrez la chaîne lorsqu'elle semble lâche au niveau du guide-chaîne.



MISE EN GARDE

- Retirez de la batterie avant d'ajuster la tension de la chaîne de la scie.
- Les tranchants de la chaîne sont affûtés. Porter des gants de protection pour manipuler la chaîne. Toujours maintenir la chaîne tendue correctement.
- Une chaîne détendue augmente le risque de recul. De plus, elle risque de sauter hors de la rainure de la guidechaîne. Ceci pourrait blesser l'utilisateur et endommager la chaîne. En outre, une chaîne détendue provoque l'usure rapide de la chaîne, de la guide-chaîne et du pignon.

1. Déposer la chaîne à plat.
2. Tournez le bouton de verrouillage/poignée de tension de la chaîne dans le sens des aiguilles d'une montre avec cliquetis jusqu'à l'obtention de la bonne tension de chaîne.


REMARQUE: Tournez le bouton Tensionnement de la chaîne dans le sens horaire et la tension de la chaîne augmente automatiquement. Le mécanisme à cliquet empêche la tension de la chaîne de se desserrer.

3. Inclinez la scie vers l'avant (Voir Fig. E) et tirez l'extrémité de la barre de guidage vers le haut. Cela vous permettra de retirer le jeu de la chaîne.
4. Serrez complètement la poignée de tensionnement de la chaîne en la tournant dans le sens horaire.
5. Revérifier le réglage de tension de la manette d'auto tension. La bonne tension de la chaîne est atteinte lorsque la chaîne peut être soulevé d'environ la moitié de la profondeur du maillon-guide à partir du centre de la barre guide. Ceci doit être effectué en utilisant une main afin d'élever la chaîne contre le poids de la machine. (Voir Fig. F)

REMARQUE: La chaîne est correctement tendue lorsque celle-ci peut être soulevée de la barre guide et que le maillon-guide se trouve dans le rail de la barre guide.

REMARQUE: la chaîne s'étire lorsque vous la coupez et perd sa tension adéquate. Lorsque la chaîne se desserre, dévissez complètement la poignée de tensionnement de la chaîne ou tournez la poignée de trois tours complets dans le sens antihoraire, revissez ensuite la poignée de tensionnement de la chaîne pour régler à nouveau la tension de la chaîne en répétant les étapes 1 à 5 citées plus haut.

LUBRIFICATION (VOIR FIG. G)


 **AVERTISSEMENT!** la tronçonneuse ne vient pas remplie d'huile. Vous devez absolument la remplir d'huile avant de l'utiliser. Ne faites jamais fonctionner la tronçonneuse sans huile à chaîne ou lorsque le réservoir d'huile est vide, car cela pourrait causer de graves dommages au produit.

REMARQUE : La durée de vie de la chaîne et la capacité de coupe dépendent d'un graissage optimal. La chaîne est donc huilée automatiquement pendant le fonctionnement.

REMPLISSAGE DU RÉSERVOIR D'HUILE:

 **AVERTISSEMENT:** Retirez la batterie avant de remplir le réservoir d'huile.

1. Mettez la tronçonneuse sur n'importe quelle surface en prenant soin de placer le bouchon de remplissage d'huile vers le haut.
2. Nettoyez la zone se trouvant autour du bouchon de remplissage d'huile avec un linge et prenez soin de dévisser le bouchon.
3. Ajoutez l'huile pour tronçonneuse jusqu'à ce que le réservoir soit plein.
4. Évitez que de la saleté ou des débris ne s'infiltrent dans le réservoir d'huile, remettez le bouchon de remplissage d'huile et serrez.

 **AVERTISSEMENT :** Afin de permettre au réservoir d'huile de ventiler, de petits canaux de reniflards sont insérés entre le bouchon de remplissage d'huile et la crépine. Afin d'éviter les fuites, assurez-vous que la machine est en position horizontale lorsque vous ne l'utilisez pas.


Il est important d'utiliser un lubrifiant pour barres et chaînes (non fourni) qui est formulé pour fonctionner sur une large plage de températures sans dilution requise. Vous trouverez ces éléments au lieu d'achat de la scie ou dans votre quincaillerie locale. N'utilisez pas d'huiles sales, usagées ou autrement contaminées. Des dommages peuvent survenir à la barre ou à la chaîne. L'utilisation d'une huile non approuvée annule la garantie.

Ne pas avaler. En cas d'ingestion, appelez immédiatement un médecin. Tenir hors de portée des enfants. Entreposer loin d'une source de chaleur ou de flammes nues.

Vérification de l'huileuse automatique


Vous pouvez vérifier le bon fonctionnement de l'huileuse automatique en faisant fonctionner la tronçonneuse et en pointant le bout du guide-chaîne vers un morceau de carton ou vers le sol. Si l'huile semble se distribuer, alors l'huileuse automatique fonctionne correctement. Si l'huile ne semble pas se distribuer malgré que le

réservoir soit plein, communiquez avec un agent du service à la clientèle ou un agent de service approuvé Cat®.

 **ATTENTION :** Ne laissez pas la chaîne toucher le sol. Assurez-vous qu'il y a un espace sécuritaire de 12" (30 cm).

OPÉRATION

AVANT D'UTILISER VOTRE OUTIL SANS FIL

 **AVERTISSEMENT!** Le chargeur et la batterie sont spécifiquement conçus pour être utilisés ensemble, ne faites pas usage d'autres articles. N'insérez jamais d'objets métalliques et ne laissez pas non plus de tels objets entrer en contact avec les bornes de la batterie/chargeur. Ceci est dangereux et entraînera une panne du chargeur.





REMARQUE: Votre bloc-pile n'est PAS CHARGÉ. Il faut donc le recharger une fois avant d'utiliser l'outil. Le chargeur de batterie fourni s'adapte à la batterie au Lithium ion installée dans l'appareil. Ne pas utiliser d'autre chargeur de batterie.



VÉRIFICATION DE L'ÉTAT DE CHARGE DE BATTERIE

(Voir Fig. H1)

Avant de démarrer ou après utilisation, appuyez sur le bouton près du voyant lumineux de mise sous tension sur la machine pour vérifier la capacité de la batterie.

REMARQUE: La Fig. H1 ne s'applique qu'aux batteries disposant d'un témoin lumineux de batterie.

Remarques	Voyant LED	État de la batterie
Cinq voyants verts sont allumés.		70 % ≤ niveau de puissance ≤ 100 %
Quatre voyants verts sont allumés.		50 % ≤ Niveau de puissance < 69 %
Trois voyants verts sont allumés.		35 % ≤ Niveau de puissance < 49 %
Deux voyants verts sont allumés.		20 % ≤ Niveau de puissance < 34 %

Un voyant vert est allumé.		10 % ≤ Niveau de puissance < 19 %
Aucun voyant n'est allumé.		Niveau de puissance < 10 %

COMMENT RECHARGEUR LE BLOC-PILE (Voir Fig. H2)

La batterie au Lithium ion est protégée contre une décharge importante. Lorsque la batterie est vide, la machine s'éteint grâce à un circuit de protection. Dans un environnement chaud ou après une utilisation prolongée, le pack de la batterie est trop chaud pour permettre un chargement. Laisser la batterie se refroidir un moment avant de recharger.

RETRAIT/RÉINSTALLATION DE LA BATTERIE (Voir Fig. I, J)

Enfoncez le système de verrouillage de la batterie et retirez la batterie de l'outil. Une fois rechargée, replacez la batterie dans son emplacement. L'application d'une légère pression suffira jusqu'à ce qu'un clic soit entendu. Vérifiez si la batterie est bien sécurisée.

REMARQUE: Lorsque vous retirez la batterie, maintenez-la fermement pour éviter qu'elle puisse tomber et vous blesser.

INTERRUPTEUR MARCHE/ARRÊT DE SÉCURITÉ (VOIR FIG. K)


 **ATTENTION :** Vérifiez la batterie avant d'utiliser votre outil sans fil. Utilisez uniquement la batterie indiquée dans la section Accessoires.



Pour **mettre en marche**, appuyez sur le bouton de verrouillage, puis appuyez sur et maintenez enfoncé le bouton On/Off (marche/arrêt). Le bouton de verrouillage peut à présent être relâché.

Pour **mettre en arrêt**, relâchez le bouton On/Off (marche/arrêt).


REMARQUE: Le frein de chaîne doit être activé pour que la scie soit mise en marche.

POIGNÉE DE FREIN DE CHAÎNE (VOIR FIG. L)

La poignée du frein de chaîne est un mécanisme de sécurité activé par le protecteur de mains avant, lorsque le rebond se produit. La chaîne s'arrête immédiatement. Le contrôle de fonctionnement suivant doit être effectué à intervalles réguliers. Tirez le protège-main avant vers l'opérateur (position ) pour désactiver le frein

de chaîne. Pour activer le frein de chaîne, pousser la protection de main avant vers l'avant (position ). **REMARQUE:** Si la scie ne peut pas démarrer, bien qu'elle soit assemblée correctement et fonctionne avec des batteries complètement rechargées, vous devez alors vérifier si la poignée du frein de chaîne est dans la bonne position (position ).

COUPE

 **AVERTISSEMENT:** Le réservoir d'huile est-il rempli? Vérifiez l'indicateur de niveau d'huile avant de démarrer et faites-le régulièrement pendant la période d'utilisation. (Voir Fig. M) Remplissez l'huile lorsque le niveau est bas. Un remplissage de réservoir d'huile durera environ 12 minutes selon l'intensité du sciage et la fréquence des arrêts. Vérifiez la tension de la nouvelle chaîne remplacée environ toutes les dix minutes pendant la période d'utilisation.

- (1) Installation du bloc-piles.
- (2) La section de bille à tronçonner ne doit pas se trouver sur le sol. Ceci évite que la chaîne ne touche le sol à la fin du tronçonnage. Une chaîne en mouvement qui touche le sol s'émousse.
- (3) Se servir des deux mains pour tenir la tronçonneuse. Toujours utiliser la main gauche pour saisir la poignée avant et la main droite pour saisir la poignée arrière. Tenir fermement. Les pouces et les doigts doivent entourer les poignées. (Voir Fig. N)
- (4) Veiller à maintenir un bon équilibre. Garder les pieds écartés. Répartir le poids également sur les deux pieds.
- (5) Lorsqu'on est prêt à faire une coupe, pousser complètement vers l'avant avec le pouce droit le bouton de verrouillage et appuyer sur la gâchette. Ceci met la tronçonneuse en marche. Elle s'arrête quand on lâche la gâchette. S'assurer que la chaîne tourne à la vitesse maximum avant d'entamer l'entaille.
- (6) Au moment d'entamer l'entaille, placer la chaîne en mouvement contre le bois. Le bois doit se situer le plus proche possible du corps de scie. Tenir la tronçonneuse fermement en place pour éviter qu'elle rebondisse ou dérape (mouvement latéral).
- (7) Dirigez la scie en utilisant une légère pression et ne pas mettre de force excessive sur la scie, laissez la scie en marche. Il fonctionnera de façon plus efficace et plus sûre à la vitesse pour laquelle il a été prévu.
- (8) Retirer la tronçonneuse d'une coupe en gardant la tronçonneuse à pleine vitesse. Arrêter la tronçonneuse en relâchant la gâchette. S'assurer que la chaîne est arrêtée avant de poser la

tronçonneuse.

- (9) Continuez de pratiquer sur des billots qui ne servent plus dans un environnement de travail sécuritaire jusqu'à ce que vous soyez à l'aise et que vous puissiez scier aisément, avec un mouvement fluide et un flux de coupe constant.

Dispositifs de protection contre le recul sur cette tronçonneuse

Cette tronçonneuse est munie d'une chaîne à faible recul et d'une guide-chaîne à recul réduit. Ces deux éléments réduisent le risque de recul. Cependant, celui-ci peut encore se produire.

On peut prendre les mesures suivantes pour réduire le risque de recul :

- Se servir des deux mains pour tenir la tronçonneuse pendant son fonctionnement. Tenir l'outil d'une poigne ferme. Les pouces et les doigts doivent envelopper les poignées.
- Tous les dispositifs de sécurité doivent être maintenus en place sur la tronçonneuse. S'assurer qu'ils fonctionnent correctement.
- Ne pas essayer d'atteindre trop loin ni de couper au-dessus de la hauteur de l'épaule.
- Garder en permanence un solide appui au sol et un bon équilibre.
- Se tenir légèrement à gauche de l'outil. Le corps n'est pas ainsi en prolongement direct de la chaîne.
- Ne pas laisser le nez de la guide-chaîne toucher quelque chose quand la chaîne est en mouvement.
- Ne jamais essayer de couper deux billes en même temps. En couper seulement une à la fois.
- Ne pas enfouir le nez de la guide-chaîne ni essayer de couper en plongeant (faire un trou dans le bois en enfouissant le nez de la guide-chaîne).
- Surveiller le mouvement du bois ou les autres forces qui pourraient pincer la chaîne.
- Faire très attention quand on repénètre dans une entaille.
- Utiliser la chaîne à faible recul et la guidechaîne fournies avec cette tronçonneuse.
- Ne jamais utiliser une chaîne émoussée ou détendue. Maintenir la chaîne affûtée et tendue correctement.

Comment utiliser une Scie de façon sécuritaire

1. Veiller à maintenir un bon équilibre.
2. Tenez la tronçonneuse sur le côté droit de votre corps. (Voir Fig. O).
3. La chaîne doit tourner à pleine vitesse avant d'entrer en contact avec le bois.
4. Avant de commencer à couper, utilisez le maillon de prise dents afin de fixer la tronçonneuse au bois.
5. Lors de la coupe, utilisez le maillon de prise dents

avec la prise. (Voir Fig. P)

6. Ne pas opérer une scie à chaîne avec les bras en extension complète, tentez de scier des secteurs qui sont difficiles à atteindre, ou tenez-vous sur une échelle en sciant. (Voir Fig. Q).

Ne pas essayer d'atteindre trop loin ni de couper au-dessus de la hauteur de l'épaule.

ENTRETIEN ET REMISAGE DE LA TRONÇONNEUSE

1. Retrait du bloc-piles

- Quand on n'utilise pas la tronçonneuse,
- Avant de la déplacer d'un endroit à un autre,
- Avant de procéder à son entretien,
- Avant de changer des accessoires, tels que la chaîne et l'écran de protection de la tronçonneuse.

2. Inspecter la tronçonneuse avant et après chaque utilisation.

Bien contrôler l'outil si une protection ou une pièce quelconque a été endommagée. Bien vérifier pour déceler tout dégât pouvant affecter la sécurité de l'utilisateur ou le fonctionnement de l'outil. Vérifier que les pièces mobiles sont bien alignées et ne sont pas coincées. Vérifier qu'il n'y a pas de pièces cassées ou endommagées. Ne pas utiliser la tronçonneuse si les dégâts affectent la sécurité ou son fonctionnement. Faire remettre l'outil en état par un réparateur agréé.

3. Se servir de l'outil avec précaution

- Ne jamais l'exposer à la pluie ou à l'humidité.
- Garder la chaîne affûtée, propre et lubrifiée pour améliorer le rendement et la sécurité.
- Suivre la procédure décrite dans ce manuel pour l'affûtage de la chaîne.
- Garder les poignées sèches, propres et sans traces d'huile ou de graisse.
- Garder vis et écrous bien serrés.
- Conservez la batterie loin de sources de chaleur, d'huile et d'arêtes vives.

4. Pour la réparation, utiliser uniquement des pièces de rechange identiques.

5. Lorsqu'on ne s'en sert pas, toujours ranger la tronçonneuse

- Dans un endroit en hauteur ou verrouillé, hors de la portée des enfants,
- Dans un endroit sec,
- Avec le guide et le carter de la chaîne en place

Entretien de la lame

Les entretiens suivants sont recommandés pour faire durer la lame le plus longtemps possible.

Il faut nettoyer la rainure de la lame qui guide la chaîne

avant de ranger la scie où lorsque la chaîne semble sale. La rainure doit aussi être nettoyée que la chaîne est retirée.

Pour nettoyer les barres.

1. Retirer le couvercle de chaîne puis la lame et la chaîne. (voir section MONTAGE)
2. À l'aide d'une brosse métallique, d'un tournevis ou d'un outil également adéquat, nettoyer la rainure de la lame en enlevant les résidus. (Voir Fig. R)
3. S'assurer de nettoyer à fond les passages d'huile.

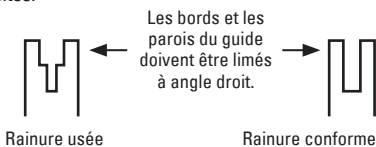
Conditions demandant l'entretien de la lame-guide :

- La scie tire d'un côté ou coupe en angle.
- Il faut appuyer sur la scie pour qu'elle puisse passer à travers le morceau à couper.
- Le débit d'huile est insuffisant pour lubrifier adéquatement la lame et la chaîne.

Vérifier l'état de la lame-guide à chaque aiguisage des dents de la chaîne. Une lame-guide usée endommagera la chaîne et rendra la coupe difficile.

Après chaque utilisation, retirez la batterie, nettoyez toute la sciure de bois de la barre de guidage et du trou du pignon.

Lorsque la rainure du haut est inégale, utiliser une lime plate pour redonner des bords carrés et des parois droites.



Remplacer la lame-guide lorsque la rainure est usée, la lame-guide est tordue ou fendillée, ou lorsque la rainure chauffe trop ou s'ébarbe. S'il est nécessaire de la remplacer, n'utiliser que la lame-guide spécifiée pour votre scie dans la liste des pièces de rechange ou sur le décalque apposé sur la tronçonneuse.

Remplacement de la chaîne/ guide-chaîne

Remplacer la chaîne lorsque les taillants sont trop usés pour être affûtés ou lorsque la chaîne casse. Utiliser uniquement la chaîne de rechange spécifiée dans ce manuel. Toujours remplacer le pignon d'entraînement par un neuf lors du remplacement de la chaîne. On obtient ainsi l'entraînement correct de la chaîne. Inspecter la guide-chaîne avant d'affûter la chaîne. Une guide-chaîne usée ou endommagée présente des dangers. Elle endommage la chaîne. Le sciage devient également plus difficile.

Positionnez le doigt d'entraînement du tensionnement dans le nouveau guide en resserrant la vis dans le sens des aiguilles d'une montre. Le doigt fendu (a) doit être

fixé au trou du guide. (Voir Fig. S)

AFFÛTAGE DE LA CHAÎNE



AVERTISSEMENT: Retirez la batterie avant d'effectuer l'entretien. Des blessures graves ou la mort peuvent être provoquées par les chocs électriques et le contact du corps avec la chaîne en mouvement.

Les tranchants de la chaîne sont affûtés. Porter des gants de protection pour manipuler la chaîne.

Maintenir la chaîne affûtée. La tronçonneuse scie plus rapidement et de façon plus sécuritaire. Une chaîne émoussée provoque l'usure prématurée du pignon, de la guide-chaîne, de la chaîne et du moteur. Si l'utilisateur est contraint de forcer sur la chaîne pour la faire entrer dans le bois et si le sciage ne produit que de la sciure avec peu de gros copeaux, c'est que la chaîne est émoussée.

Lubrifier le pignon



AVERTISSEMENT: Mettre des gants de travail pendant la réparation ou l'entretien de cet appareil.

Toujours retirer la batterie avant d'effectuer une quelconque opération d'entretien ou de maintenance sur cet outil.

REMARQUE : Il n'est pas nécessaire de retirer la chaîne ou la lame pendant la lubrification du pignon.

1. Nettoyer la lame et le pignon
2. À l'aide d'une pipette de graissage, insérer le bec de la pipette dans l'orifice de lubrification et injecter la graisse jusqu'à ce qu'elle apparaisse au bord extérieur du bout pignon. (Voir Fig. T)
3. Pour faire pivoter le pignon, relâcher la butée d'arrêt de la chaîne et tirer la chaîne à la main jusqu'à ce que le côté non graissé du pignon soit aligné avec le trou de graissage. Reprendre la procédure de lubrification.

POUR LES OUTILS DE LA BATTERIE

La plage de température ambiante pour l'utilisation et le stockage de l'outil et de la batterie est 0°C à 45°C (32°F-113°F).

La plage de température ambiante recommandée pour le système de charge pendant la charge est de 0°C à 40°C (32°F-104°F).

ENTRETIEN DE LA SCIE

Suivre les instructions d'entretien figurant dans ce

manuel. Les risques de recul peuvent être réduits par le nettoyage et l'entretien adéquats de l'outil, de la chaîne, de la guide-chaîne. Après chaque utilisation, inspecter la tronçonneuse et l'entretenir. Ceci prolonge sa durée en service.

REMARQUE : Même si la chaîne est affûtée correctement, le risque de recul peut augmenter à chaque affûtage.

TABLEAU DE DÉPANNAGE

Le tableau suivant vous propose des vérifications et des mesures correctrices si votre outil ne fonctionne pas correctement. Si le tableau d'identifie pas ou ne permet pas de corriger le problème, contactez votre agent de maintenance.

 **AVERTISSEMENT: Éteignez et retirez la batterie avant de chercher à résoudre la panne.**


Symptôme	Les causes possibles	Problèmes et solutions
La scie à chaîne ne fonctionne pas	Indicateur de batterie à plat.	Charger toutes les deux batteries.
	Frein de chaîne pas dans la bonne position.	Vérifier pour voir si le frein de chaîne est dans la position ❶. Se référer à FREIN DE CHAÎNE pour plus de détails.
La scie à chaîne fonctionne de manière intermittente	Surchauffage	Placer la machine dans un lieu frais pour la refroidir.
	Appliquer une trop grande pression pendant la coupe.	Appliquer une pression relativement moindre pendant la coupe.
	Connexion lâche	Contactez l'agent de maintenance.
	Câblage interne défectueux	
Interrupteur On/Off défectueux		
Chaîne sèche	Plus d'huile dans le réservoir	Remplissez d'huile
	Aération du bouchon de remplissage d'huile bouchée	Nettoyez le bouchon
	Passage de l'huile bouché	Nettoyez le tuyau de passage de l'huile
Frein de recul/Frein de ralentissement	Le frein n'arrête pas la chaîne	Contactez l'agent de maintenance.
La chaîne/le guide-chaîne surchauffe	Plus d'huile dans le réservoir	Remplissez d'huile
	Aération du bouchon de remplissage d'huile bouchée	Nettoyez le bouchon
	Passage de l'huile bouché	Nettoyez le tuyau de passage de l'huile
	La chaîne est trop tendue	Ajustez la tension de la chaîne
	Chaîne émoussée	Affutez la chaîne ou remplacez-la
La scie à chaîne saute, vibre et ne scie pas correctement	Tension de la chaîne trop faible	Ajustez la tension de la chaîne
	Chaîne émoussée	Affutez la chaîne ou remplacez-la
	Chaîne usée	Remplacez la chaîne
	Les dents de la chaîne sont pointées dans le mauvais sens	Remontez la chaîne dans le bon sens

TABLA DE CONTENIDO

INSTRUCCIONES IMPORTANTES DE SEGURIDAD.....	38
SÍMBOLOS.....	45
ESPECIFICACIONES.....	46
LISTA DE COMPONENTES.....	48
ENSAMBLE.....	49
FUNCIONAMIENTO.....	50
MANTENIMIENTO	52
SOLUCIÓN DE PROBLEMAS.....	54

ES


SEGURIDAD DEL PRODUCTO

 **ADVERTENCIA!** Este producto podría contener plomo, ftalato y otros químicos identificados por el Estado de California como causantes de cáncer, defectos congénitos y otras lesiones reproductivas.


Lave sus manos después de cada uso.

- El plomo de las pinturas a base de plomo.
- La sílice cristalina de los ladrillos, del cemento y de otros productos de albañilería.
- El arsénico y el cromo de la madera tratada químicamente.

El riesgo que se corre a causa del contacto con esos productos varía según la frecuencia con que usted realice este tipo de trabajos. Con el fin de reducir su exposición a esas sustancias químicas: trabaje en un área bien ventilada; utilice un equipo de seguridad adecuado, tal como una máscara contra el polvo especialmente diseñada para filtrar partículas microscópicas.

 **ADVERTENCIA:** Este producto puede exponerlo a sustancias químicas, como plomo y di (2-etilhexilo) ftalato (DEHP), que el estado de California reconoce como causantes de cáncer y defectos de nacimiento u otros daños reproductivos. Para más información visite www.P65Warnings.ca.gov.

ADVERTENCIAS DE SEGURIDAD GENERALES PARA LA HERRAMIENTA MOTORIZADA

 **ADVERTENCIA!** Lea y comprenda todas las instrucciones. El no seguir todas las instrucciones a continuación puede ocasionar descargas eléctricas, incendios y/o heridas graves.

Conserve todas las advertencias e instrucciones para consulta futura.

El término "herramienta eléctrica" que figura en todas las advertencias que aparecen a continuación hace referencia a la herramienta que funciona con la red de suministro eléctrico (con cable) o a la herramienta eléctrica accionada a baterías (sin cable).

1. ÁREA DE TRABAJO

- Mantenga su lugar de trabajo limpio y bien iluminado.** Bancos de trabajo desordenados y lugares oscuros invitan a los accidentes.
- No utilice herramientas eléctricas en atmósferas explosivas, como por ejemplo en presencia de líquidos, inflamables, gases o polvo.** Las herramientas eléctricas crean chispas que pueden encender el polvo o los vapores.

- Mantenga a los espectadores, niños y visitantes a una distancia prudente cuando esté utilizando una herramienta eléctrica.** Las distracciones pueden hacerle perder el control.

2. SEGURIDAD ELÉCTRICA

- Los enchufes de las herramientas eléctricas deben coincidir con el tomacorriente. No modifique de algún modo el enchufe. No utilice enchufes adaptadores con herramientas eléctricas conectadas a tierra.** Si no se modifican los enchufes y se utilizan los tomacorrientes adecuados, se reducirá el riesgo de una descarga eléctrica.
- Evite el contacto del cuerpo con las superficies conectadas a tierra tales como tuberías, radiadores, estufas de cocina y refrigeradores.** Existe mayor riesgo de que se produzcan descargas eléctricas si su cuerpo está conectado a tierra.
- No exponga las herramientas eléctricas a la lluvia ni a los ambientes húmedos.** La entrada de agua en una herramienta eléctrica aumenta el riesgo de que se produzcan descargas eléctricas.
- No abuse del cable. Nunca use el cable para transportar las herramientas ni para sacar el enchufe de un tomacorriente. Mantenga el cable alejado del calor, el aceite, los bordes afilados o las piezas móviles.** Los cables dañados aumentan el riesgo de que se produzcan descargas eléctricas.
- Cuando opere una herramienta eléctrica en exteriores, use un cable de extensión adecuado para uso en exteriores.** El uso de un cable adecuado para uso en exteriores reduce el riesgo de descargas eléctricas.
- Si operar una herramienta eléctrica en un lugar húmedo es inevitable, use un elemento protegido del dispositivo de corriente residual (RCD).** El uso de un RCD reduce el riesgo de descargas eléctricas.

3. SEGURIDAD PERSONAL

- Manténgase alerta, fíjese en lo que está haciendo y use el sentido común cuando utilice una herramienta eléctrica. No use la herramienta cuando esté cansado o se encuentre bajo la influencia de drogas, alcohol o medicamentos.** Un momento de distracción al utilizar herramientas eléctricas puede dar lugar a lesiones personales graves.
- Utilice equipo de seguridad. Use siempre protección ocular.** La utilización del equipo de seguridad como máscara antipolvo, zapatos de seguridad antideslizantes, casco o protección auditiva para condiciones adecuadas reducirá el riesgo de lesiones personales.
- Evite el arranque accidental. Asegúrese de que el interruptor esté en la posición de trabado o de**

apagado antes de instalar el paquete de baterías.

Transportar herramientas con el dedo en el interruptor o instalar el paquete de batería cuando el interruptor está encendido invitan a los accidentes.

- d) **Retire las llaves o claves de ajuste antes de encender la herramienta.** *Una llave o clave de ajuste dejada en una parte giratoria de la herramienta puede causar una lesión personal.*
- e) **No intente alcanzar demasiado lejos. Mantenga un apoyo de los pies y un equilibrio adecuados en todo momento.** *El apoyo de los pies y el equilibrio adecuados permiten un mejor control de la herramienta en situaciones inesperadas.*
- f) **Vístase apropiadamente. No se ponga ropa holgada ni joyas. Mantenga su cabello, ropa y guantes alejados de las piezas móviles.** *La ropa holgada, las joyas o el pelo largo pueden quedar atrapados en las piezas móviles.*
- g) **Si se proporcionan dispositivos para la extracción y recolección de polvo, asegúrese que estos estén conectados y utilizados correctamente.** *El uso de estos dispositivos puede reducir peligros relacionados con el polvo.*
- h) **No permita que la familiaridad obtenida a partir del uso frecuente de otras herramientas le permita volverse complaciente e ignorar los principios de seguridad de la herramienta.** *Una acción descuidada puede causar lesiones severas en una fracción de segundo.*

4. USO Y CUIDADO DE LA HERRAMIENTA

- a) **No fuerce la herramienta. Emplee la herramienta correcta para la aplicación que desea. La herramienta correcta hará el trabajo mejor y con más seguridad a la capacidad nominal para la que está diseñada.**
- b) **No utilice la herramienta si el interruptor no la enciende o apaga.** *Toda herramienta que no se pueda controlar con el interruptor es peligrosa y debe ser reparada.*
- c) **Desconecte la batería de la herramienta o ponga el interruptor en la posición de trabado o de apagado antes de hacer cualquier ajuste, cambio de accesorios o guardar la herramienta.** *Estas medidas de seguridad preventivas reducen el riesgo de encender la herramienta accidentalmente.*
- d) **Guarde las herramientas que no esté usando fuera del alcance de los niños y otras personas no capacitadas.** *Las herramientas son peligrosas en las manos de los usuarios no capacitados.*
- e) **Mantenga las herramientas con cuidado. Compruebe la desalineación o el atasco de las piezas móviles, la ruptura de piezas y cualquier otra situación que pueda afectar el funcionamiento de las herramientas.** *Si la herramienta está dañada, hágala arreglar antes*

de usarla. Muchos accidentes son causados por herramientas mantenidas deficientemente.

- f) **Conserve las herramientas de corte afiladas y limpias.** *Las herramientas mantenidas adecuadamente, con bordes de corte afilados, tienen menos probabilidades de atascarse y son más fáciles de controlar.*
- g) **Utilice la herramienta eléctrica, accesorios, brocas de la herramienta, etc. de acuerdo con estas instrucciones y de la manera adecuada para el tipo de herramienta eléctrica, teniendo en cuenta las condiciones de trabajo y el trabajo que se realizará.** *La utilización de la herramienta eléctrica para operaciones diferentes de aquellas para las que se encuentra diseñada podría dar lugar a una situación peligrosa.*
- h) **Mantenga las manijas y las superficies de sujeción secas, limpias y libres de aceite y grasa.** *Las manijas y superficies de sujeción resbaladizas no permiten el manejo y control seguros de la herramienta en situaciones inesperadas.*

5. UTILIZACIÓN Y CUIDADO DE LA HERRAMIENTA ACCIONADA A BATERÍAS

- a) **Una herramienta accionada a baterías que tenga baterías integradas o un paquete de baterías separado se debe recargar solamente con el cargador especificado para la batería.** *Un cargador que puede ser adecuado para un tipo de batería puede crear un peligro de incendio cuando se usa con otra batería.*
- b) **Utilice la herramienta accionada a baterías solamente con el paquete de baterías designado específicamente.** *El uso de cualquier otra batería puede crear un peligro de incendio.*
- c) **Cuando el paquete de baterías no se usa, manténgalo alejado de otros objetos metálicos como: sujetapapeles, monedas, clavos, tornillos u otros pequeños objetos de metal capaces de hacer una conexión entre los terminales.** *El cortocircuito de los terminales de una batería puede causar chispas, quemaduras o incendio.*
- d) **Bajo condiciones abusivas, la batería puede expulsar líquido; evite el contacto. Si ocurre un contacto accidental, enjuagar con agua. Si el líquido entra en contacto con los ojos, busque ayuda médica.** *El líquido expulsado por la batería puede causar irritación o quemaduras.*
- e) **No use un paquete de batería o una herramienta que esté dañada o modificada.** *Las baterías dañadas o modificadas pueden presentar un comportamiento imprevisto que resulte en incendios, explosión o riesgo de lesiones.*
- f) **No exponga un paquete de batería o herramienta a fuego o temperatura excesiva.** *La exposición a fuego*

o temperatura mayor a 266 °F (130 °C) pueden causar una explosión.

- g) **Siga todas las instrucciones de carga y no cargue el paquete de batería o la herramienta fuera del rango de temperatura especificado en las instrucciones.** *Cargar inadecuadamente o en temperaturas fuera del rango especificado pueden dañar la batería e incrementar el riesgo de incendio.*

6. REPARACIÓN

- a) **La herramienta debe ser reparada por una persona calificada de servicio técnico y se deben utilizar partes de reemplazo idénticas.** *Esto asegurará el mantenimiento de la seguridad de la herramienta eléctrica.*
- b) **Nunca dé servicio a paquetes de batería dañados.** *El servicio de paquetes de batería sólo debe ser realizado por el fabricante o proveedores de servicio autorizados.*

1) ADVERTENCIAS DE SEGURIDAD DE SIERRA DE CADENA

- a) **Cuando esté usando la sierra de cadena, mantenga todas las partes del cuerpo alejadas de la cadena de sierra. Antes de arrancar la sierra de cadena, asegúrese de que la cadena de sierra no haga contacto con nada.** *Un momento de desatención durante la operación de la sierra de cadena puede ocasionar que su ropa o cuerpo sea atrapado por la cadena de la sierra.*
- b) **Siempre sostenga la sierra de cadena con su mano derecha en el mango trasero y su mano izquierda en el mango delantero.** *Al sostener la sierra de cadena en configuración de manos invertidas incrementa el riesgo de lesiones personales y nunca debe hacer esto.*
- c) **Sostenga la herramienta de potencia únicamente por las superficies de agarre aislado, debido a que la cadena de la sierra puede hacer contacto con el cableado oculto o con su propio cable.** *Las cadenas de sierra que hacen contacto con un cable vivo pueden hacer que las partes metálicas expuestas de la herramienta de potencia se energizan y puedan dar un choque eléctrico al operador.*
- d) **Use gafas de seguridad y protección de la audición. Además se recomienda equipo de protección para la cabeza, manos, piernas y pies.** *La ropa de protección adecuada reducirá el riesgo de lesiones personales por rebabas volátiles o por contacto accidental con la cadena de sierra.*
- e) **No opere una sierra de cadena para podar en una escalera, desde un tejado o en cualquier soporte**

inestable. *La operación de una sierra de cadena mientras está subido en un árbol puede resultar en lesiones personales.*

- f) **Siempre mantenga un apoyo de pies firme y opere la sierra de cadena únicamente cuando esté parado sobre una superficie fija, segura y nivelada.** *Las superficies resbalosas o inestables como las escaleras, pueden ocasionar pérdida del equilibrio o control de la sierra de cadena.*
- g) **Al momento de cortar una rama que esté bajo tensión, manténgase alerta del contragolpe.** *Cuando la tensión en las fibras de la madera es liberada, la rama cargada con resorte puede golpear al operador y causar que pierda el control de la sierra de cadena.*
- h) **Tenga mucho cuidado al momento de cortar maleza y árboles jóvenes.** *El material delgado puede quedar atrapado en la cadena de sierra y golpear como látigo hacia a usted o hacer que pierda su equilibrio.*
- i) **Acarree la sierra de cadena por el mango delantero con el interruptor de la sierra de cadena apagado y alejado de su cuerpo.** *Cuando transporte o almacene la sierra de cadena siempre debe aplicar la cubierta de barra guía.* *El manejo apropiado de la sierra de cadena reducirá la probabilidad de contacto accidental con la cadena de sierra en movimiento.*
- j) **Siga las instrucciones para lubricar, tensar la cadena y cambiar los accesorios.** *Una cadena tensada o lubricada incorrectamente puede romper o incrementar la probabilidad de contragolpe.*
- k) **Corte madera únicamente. No use la sierra de cadena para propósitos no destinados.** *Por ejemplo: no use la sierra de cadena para cortar plásticos, mampositeria o materiales de construcción que no son de madera.* *Usar la sierra de cadena para operaciones distintas a las destinadas puede resultar en situaciones peligrosas.*
- l) **No intente talar un árbol hasta que tenga una comprensión de los riesgos y cómo evitarlos.** *Podrían ocurrir lesiones graves al operador o a los transeúntes al talar un árbol.*
- m) **No opere una moto-sierra en un árbol a menos que haya sido entrenado específicamente para hacerlo.** *Operar una moto-sierra en un árbol sin el entrenamiento adecuado podría aumentar el riesgo de lesiones personales graves.*
- n) **Siga todas las instrucciones al limpiar el material atascado, almacenar o dar mantenimiento a la sierra de cadena para podar.** *Asegúrese de que el interruptor esté apagado y que la batería esté retirada.* *El accionamiento inesperado de la sierra de cadena para podar mientras se limpia el material atascado o se realiza el mantenimiento puede provocar lesiones personales graves.*
- n) **Recomendación para el usuario por primera vez, que**

como mínimo debe, practicar el corte de troncos en un soporte para sierra o una cuna.

- o) Recomendación de que el afilado y el mantenimiento de la cadena de la sierra sean realizados por centros de servicio autorizados.

2) CAUSAS Y PREVENCIÓN DE CONTRAGOLPE POR EL OPERADOR:

Los contragolpes pueden ocurrir cuando el extremo o la punta de la barra de guía toca un objeto o cuando la madera “se cierra” y presiona la cadena dentro del corte. En algunos casos, el contacto de la punta de la barra puede provocar una rápida reacción de contragolpe y conducir la barra de guía repentinamente hacia arriba y hacia atrás, en dirección al operario. La compresión de la cadena serrada contra la barra de guía puede lanzar la sierra rápidamente hacia

atrás, también en dirección al operario. Cualquiera de estas reacciones puede hacer que el operario pierda el control de la sierra y provocarle lesiones graves. No se confíe únicamente en los dispositivos de seguridad integrados en su sierra. Como usuario de una sierra de cadena, debe tomar precauciones adicionales para evitar accidentes o lesiones personales en sus trabajos de corte. El contragolpe es resultado de un mal uso o procedimientos o condiciones de operación incorrectas de la herramienta que se pueden evitar tomando precauciones apropiadas como se indica a continuación:

- a) **Mantenga una agarre firme, con dedos y pulgares encerrando los mangos de la sierra de cadena, con ambas manos en la sierra y colocando su cuerpo y brazos de modo que le permitan resistir las fuerzas de contragolpe.** *Las fuerzas de contragolpe pueden ser controladas por el operador, si se toman las precauciones apropiadas. No suelte la sierra de cadena.*
- b) **No exceda su alcance y no corte por encima de la altura de su hombro.** *Esto ayuda a prevenir el contacto no deseado de la punta y permite tener un mejor control de la sierra de cadena en situaciones inesperadas.*
- c) **Use únicamente barras y cadenas de repuesto especificadas por el fabricante.** *El uso de barras y cadenas de repuesto incorrectas puede causar ruptura de la cadena y/o contragolpe.*
- d) **Siga las instrucciones de mantenimiento y afilado de la sierra de cadena proporcionadas por el fabricante.** *Al disminuir la altura del medidor de profundidad puede resultar en contragolpe incrementado.*

ADVERTENCIAS DE SEGURIDAD GENERAL PARA EL PAQUETE DE BATERÍA

- a) **No desensamble, abra o triture el paquete de batería.**
- b) **No exponga el paquete de batería a calor o fuego.** Evite guardar a la luz directa del sol.
- c) **No ponga en corto circuito el paquete de batería.** No guarde el paquete de batería de forma aleatoria en una caja o cajón donde puedan ponerse en corto circuito entre sí o ponerse en corto circuito por otros objetos metálicos. Cuando el paquete de batería no esté en uso, manténgalo alejado de otros objetos metálicos, como sujetadores de papel, monedas, llaves, clavos, tornillos u otros objetos metálicos pequeños que puedan establecer una conexión de una terminal a otra. El corto circuito de las terminales de la batería puede causar quemaduras o incendios.
- d) **No someta el paquete de batería a impacto mecánico.**
- e) **En el caso de fuga de la batería, no permita que el líquido entre en contacto con la piel o los ojos. Si hay contacto, lave el área afectada con bastante agua y busque atención médica.**
- f) **No use ningún paquete de batería que no esté diseñado para uso con el equipo.**
- g) **Mantenga el paquete de batería fuera del alcance de los niños.**
- h) **Siempre adquiera el paquete de batería recomendado por el fabricante del dispositivo para el equipo.**
- i) **Mantenga el paquete de batería limpio y seco.**
- j) **Limpie las terminales del paquete de batería con una tela seca limpia su se ensucian.**
- k) **El paquete de batería se necesita cargar antes del uso. Siempre use el cargador correcto y consulte las instrucciones del fabricante o el manual del equipo para saber las instrucciones correctas de carga.**
- l) **No deje el paquete de batería en carga prolongada cuando no esté en uso.**
- m) **Después de periodos prolongados de almacenamiento, puede ser necesario cargar y descargar el paquete de batería varias veces para obtener el desempeño máximo.**
- n) **Recargue únicamente con el cargador especificado por Cat®. No use cargadores que no sean los específicamente suministrados para uso con el equipo.**
- o) **Conserve la literatura el producto original para referencia futura.**
- p) **Sólo use el paquete de batería en la aplicación**

para la que está diseñado.

- q) Retire el paquete de batería del equipo cuando no esté en uso.
- r) Deséchelo adecuadamente.
- s) No mezcle celdas de diferente fabricación, capacidad, tamaño o tipo dentro del dispositivo.
- t) Mantenga la batería lejos de microondas y no la someta a altas presiones.

CONSERVE ESTAS INSTRUCCIONES

Instrucciones para técnicas adecuadas para tala, poda y corte cruzado

1. Tala de un árbol

Si dos o más personas realizan tareas de tala y trozado al mismo tiempo, cerciórese de que haya una buena cantidad de espacio entre ellos. El espacio que separa a ambas personas debe ser por lo menos igual al doble de la altura del árbol que se está talando. Al talar un árbol, manténgase alerta a su entorno. No provoque daños ni ponga a riesgo a ninguna persona o línea de servicios públicos. Si el árbol cae sobre alguna línea de un servicio público, comuníquese con la compañía correspondiente de inmediato.

Al talar el árbol, manténgase cuesta arriba de él. Una vez derribado, el árbol puede rodar o deslizarse cuesta abajo.

Planee y despeje un trayecto de retirada para el momento de la caída.

El patrón de evacuación debe extenderse hacia atrás y diagonalmente hacia el lado posterior de la línea esperada de caída como se ilustra en la Figura 1.

Analice la inclinación natural del árbol, la posición de sus ramas más grandes y la dirección del viento. Todo esto le ayudará a decidir hacia qué lado derribar el árbol.

Retire la tierra, piedras, corteza suelta, clavos, grampas y alambres de las partes del árbol donde aplicará la sierra.

2. Corte de la muesca:

Haga el corte direccional a 1/3 del diámetro del árbol, perpendicular a la dirección de las caídas como se ilustra en la Figura 1. Haga primero el corte del entalle en la parte inferior horizontal (W), esto ayudará a evitar pellizcos en la cadena de sierra o en la barra de guía cuando se haga el corte del segundo entalle (X).

3. Corte posterior de tala

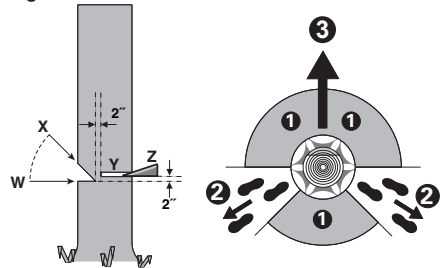
Asegúrese de que el corte posterior (Y) de tala sea al menos 50 mm más alto que el corte direccional horizontal como se ilustra en la Figura 1. Mantenga el corte posterior de tala paralelo al corte direccional

horizontal. Haga el corte posterior de tala de modo que quede suficiente madera para actuar como bisagra. La madera de bisagra evita que el árbol se tuerza o caiga en la dirección incorrecta. No corte a través de la bisagra.

A medida que el corte final se aproxime al punto de bisagra, el árbol comenzará a caer. Si es necesario, inserte cuñas dentro del corte de tala final para controlar la dirección de la caída. Si el árbol se echa hacia atrás y presiona la cadena, inserte cuñas dentro del corte final para extraer la sierra. Utilice siempre cuñas de madera, plástico o aluminio (Z). Nunca utilice cuñas de metal, ya que podrían provocar contragolpes y dañar la cadena (3).

Cuando el árbol comience a caer, proceda rápidamente a retirar la sierra del corte de tala final; soltar el gatillo para apagar la sierra; asentar la sierra (2); salir del área por el trayecto de retirada. (Consulte la Figura. 1)

Figura.1

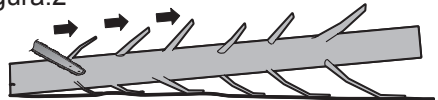


4. DESMEMBRAMIENTO DE UN ÁRBOL

Desmembrar un árbol significa retirar las ramas de un árbol caído. No retire las ramas grandes que se encuentran por debajo del tronco y separan a éste del suelo.

Retire cada rama con un solo corte. Para evitar el atrapamiento de la sierra, comience por cortar las ramas que cuelgan libremente, desde arriba hacia abajo. Para cortar ramas en tensión, comience a cortarlas desde abajo. (Figura. 2)

Figura.2



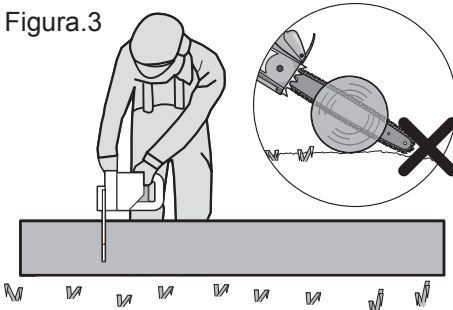
5. TROZADO DE UN TRONCO

Trozar un tronco significa cortarlo en secciones.

Asegúrese de tener una pisada firme. Mantenga los pies separados y distribuya su propio peso sobre ambos pies en forma equilibrada. Cuando sea posible, levante y separe del piso el tronco o la sección por cortar, utilizando ramas, troncos, cuñas, etc.

La totalidad del tronco sobre el suelo, corte el tronco comenzando por arriba (Figura. 3), evite hacer contacto con el suelo ya que esto reducirá ampliamente el filo de la cadena.

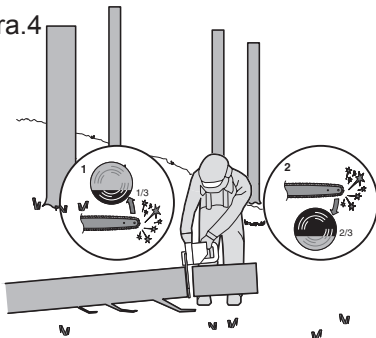
Figura.3



Tronco apoyado en un extremo, Haga el primer corte del lado inferior del

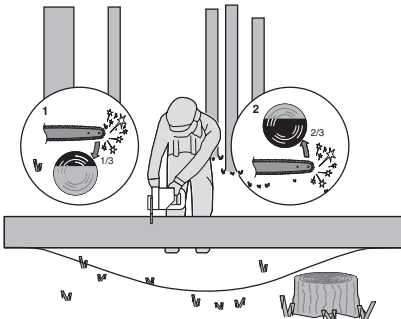
tronco, atravesando 1/3 del diámetro del tronco (1). Este corte impedirá la producción de astillas en esta sección al completarse el corte (2). (Figura. 4)

Figura.4



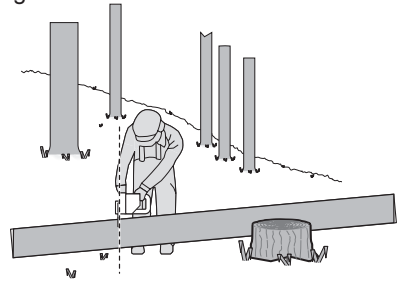
Cuando el tronco es soportado en ambos extremos, como ilustrado, corte 1/3 del diámetro de la parte superior (1). A continuación, realice el corte final rápidamente en la parte inferior (2) a 2/3 para corresponder al primer corte. (Figura. 5)

Figura.5



pararse en el lado cuesta arriba del tronco, como se ilustra en la Figura 6. Cuando "corte a través", para mantener el control total libera la presión de corte cerca del extremo del corte sin relajar su agarre en los mangos de la sierra de cadena. No permita que la cadena haga contacto con el suelo. Después de completar el corte, espere que la cadena de la sierra se detenga antes de mover la sierra de cadena. Siempre apague el motor antes de pasar de un árbol a otro.

Figura.6



SÍMBOLOS



Para reducir el riesgo de lesiones, el usuario deberá leer el manual de instrucciones



ADVERTENCIA



Use lentes de seguridad



Use protección auditiva



Use máscara contra el polvo



Li-Ion

Batería de iones de litio. La batería deberá reciclarse.



No arrojar al fuego



Las baterías pueden entrar al ciclo de agua si se desechan incorrectamente, lo que puede ser peligroso para el ecosistema. No deseché las baterías de desperdicio como desperdicio municipal sin clasificar



Tenga cuidado con el retroceso de la sierra de cadena para podar y evite el contacto con la punta de la barra



Utilice siempre ambas manos mientras opera la sierra mecánica.



No se exponga a la lluvia



Use protección en la cabeza



Use siempre unos guantes de protección



call2recycle®

POSITEC Inc. ha establecido una asociación con la empresa RBRC para el reciclaje de todas las baterías Positec que posean el sello RBRC-call2recycle. Para contribuir con la protección del medio ambiente, no deseche las baterías como residuos normales. Después de que haya finalizado el ciclo de vida útil de la batería, comuníquese al 1-800-822-8837 para acceder al servicio gratuito.



Desbloqueo



Bloqueo

ES

DATOS TÉCNICOS

Denominación de tipo DG630 DG630.9 DG631 DG631.9 (denominación - 3 de maquinaria, representativa de moto-sierra operada con pilas)

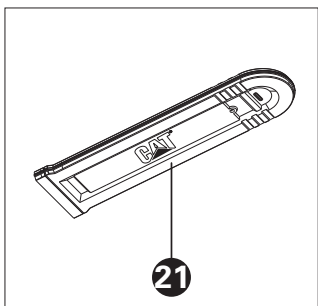
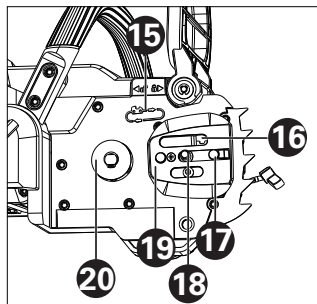
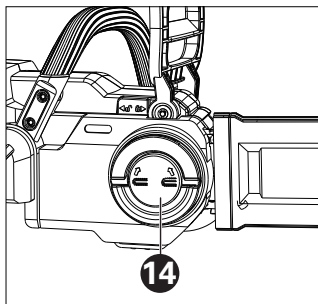
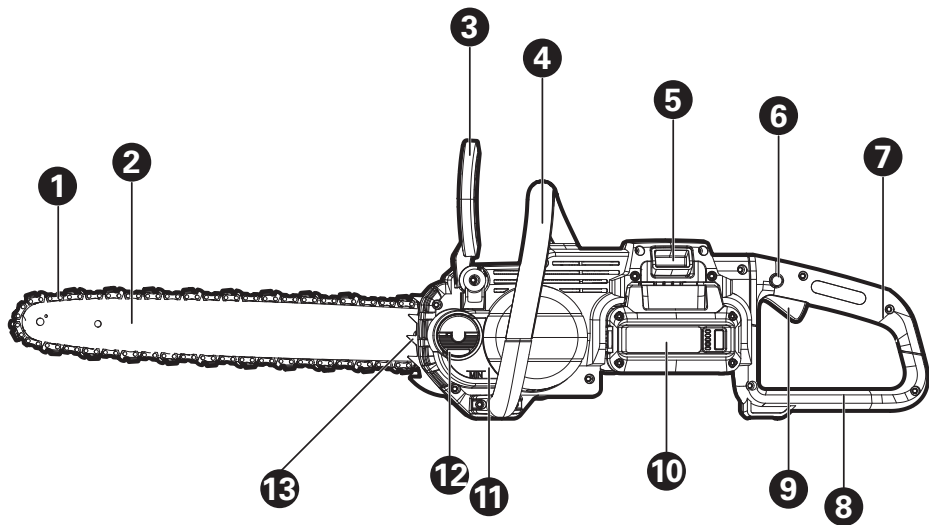
	DG630	DG630.9	DG631	DG631.9
Voltaje Clasificado	60 V \approx Max. **			
Longitud de la barra	16'' (40 cm)		18'' (45 cm)	
Velocidad de la cadena	72 ft/s (22 m/s)		79 ft/s (24 m/s)	
Capacidad del depósito de aceite	6.7 oz. (190 ml)			
Paso de la cadena	3/8'' LP (0.95 cm)			
Calibre de la cadena	0.043'' (1.1 mm)			
Tiempo Normal de Carga	50 mins	/	100 mins	/
Peso	13 lbs (5.9 kg)	9.6 lbs (4.3 kg)	16.3 lbs (7.4 kg)	10.2 lbs (4.6 kg)

* Voltaje medido sin carga de trabajo. El voltaje inicial de la batería alcanza un máximo de 60V. El voltaje nominal es 54V.

ACCESORIOS

	DG630	DG630.9	DG631	DG631.9
Cadena serrada	1	1	1	1
Barra de guía	1	1	1	1
Cubierta de protección de la cuchilla	1	1	1	1
Paquete de Baterías (DG6B25)	1	/	/	/
Paquete de Baterías (DG6B5)	/	/	1	/
Cargador (DG6C3)	1	/	1	/

Le recomendamos que compre todos los accesorios en la tienda donde adquirió la herramienta. Consulte el empaque de los accesorios para obtener más detalles. El personal de la tienda también puede ayudarle y aconsejarle.



LISTA DE PARTES


1. CADENA SERRADA
2. BARRA DE GUÍA
3. PALANCA DE FRENO DE CADENA (GUARDA DE MANO)
4. MANGO DELANTERO
5. LENGÜETAS DE LIBERACIÓN DE LAS BATERIAS
6. ESPUELA DE TOPE
7. MANGO TRASERO
8. GUARDA PROTECTORA TRASERA
9. INTERRUPTOR DE GATILLO
10. PAQUETE DE BATERIAS
11. INDICADOR DE NIVEL DE ACEITE
12. TAPA DEL TANQUE DE ACEITE
13. INTERRUPTOR DE DESTRABADO
14. PERILLA DE BLOQUEO / PERILLA DE TENSIÓN DE LA CADENA
15. SÍMBOLO DE DIRECCIÓN DE CADENA
16. SALIDA DE ACEITE
17. ALETAS DE GUÍA DE LA BARRA DE CADENA
18. PERNO DE BARRA DE FIJACIÓN
19. ABRAZADERA DE LA BARRA
20. CADENA DENTADA IMPULSORA
21. CUBIERTA DE PROTECCIÓN DE LA CUCHILLA (REVESTIMIENTO)
22. CIERRE DE TENSIÓN DE LA CADENA (CONSULTE LAS FIGURA. A2)

Tenga en cuenta que todos los accesorios ilustrados o descritos se encuentran incluidos en una entrega estándar.

IUSO PREVISTO

La sierra de cadena está diseñada para cortar árboles, troncos de árbol, ramas, vigas y tablas de madera, etc. Los cortes se pueden aserrar en sentido o a través del grano. Este producto no es adecuado para cortar materiales minerales.

ENSAMBLE

 **¡ADVERTENCIA! No instale el paquete de la batería antes que se haya ensamblado por completo.**


Al manipular la cadena, utilice guantes de protección.

MONTAJE DE LA CADENA Y LA BARRA DE CADENA

1. Desembale todas las piezas con cuidado. Retire la cubierta de la cadena girando la perilla de tensión de la cadena en dirección contraria a las manecillas del reloj. (Consulte la Figura. A1)
2. Coloque la sierra eléctrica sobre una superficie plana adecuada.
3. Sólo use cadenas Cat® originales o las recomendadas para la Barra guía.
4. Deslice la cadena en la ranura situada alrededor de la barra de cadena. Asegúrese que la cadena esté en la dirección de operación correcta comparándola con el icono de cadena de la barra guía, o consultando al Símbolo de dirección de cadena que se encuentra sobre el cuerpo de la sierra. Asegúrese de que el cierre de tensión de la cadena se encuentre orientado hacia fuera. (Consulte la Figura. A2)
5. Coloque la cadena en el engrane de accionamiento, de modo que el Perno de barra de sujeción y las dos orejetas guía de barra la abrazadera de barra ensamble en la ranura de la abertura en la barra guía. (Consulte la Figura B1, B2)
6. Asegúrese que todas las partes estén asentadas adecuadamente y sostenga la cadena y la barra guía en una posición nivelada. Asegúrese que los eslabones de la transmisión estén asentados completamente en la rueda dentada de transmisión (Consulte la Figura C1), evite torcer como se muestra en la Fig. C2. Si ocurre un torcimiento, levante la cadena en la barra guía al frente del torcimiento y elimínelo.

NOTA: La cadena debe rotar libremente y estar libre de torcimientos.

7. Ajuste la cubierta de la cadena y apriétela girando la perilla tensora de la cadena en sentido horario hasta que esté ligeramente apretada. (Vea la Fig. D)

 **ADVERTENCIA!** La cadena no se encuentra tensada aún. El tensado de la cadena se describe en la sección "TENSADO DE LA CADENA". Se deberá inspeccionar la cadena para asegurarse de que esté tensionada de forma correcta.

TENSIÓN DE LA CADENA SERRADA (Consulte la Figura. E, F)

NOTA: Las nuevas cadenas de la sierra se estirarán. Verifique con frecuencia la tensión de la cadena cuando la use por primera vez y ajústela cuando la cadena se afloje alrededor de la barra guía.

 **ADVERTENCIA:**

- Retire el paquete de batería antes de ajustar la tensión de la cadena de la sierra.
- Los bordes de corte de la cadena son afilados. Al manipular la cadena, utilice guantes de protección.
- Siempre mantenga la cadena debidamente tensionada. Si la cadena se encuentra suelta, existe mayor riesgo de contragolpes. Además, la cadena suelta puede salir despedida de la ranura de la barra de guía. Esto puede lesionar al operario y provocar daños en la cadena. Si la cadena está suelta, la cadena, la rueda dentada y la barra de guía se desgastarán rápidamente.

1. Estire la cadena sobre una superficie plana.
2. Gire la perilla de bloqueo / perilla de tensión de la cadena hacia la derecha progresivamente hasta alcanzar la tensión correcta de la cadena.
NOTA: La tensión se incrementa automáticamente mientras se gira la Perilla de tensión de la cadena en dirección de las manecillas del reloj. El mecanismo de ajuste progresivo evita que la tensión de la cadena disminuya.
3. Incline la sierra al frente (Consulte la Figura. E) donde se empuja la punta de la Barra guía hacia arriba. Esto eliminará la holgura de la cadena.
4. Apriete completamente la Perilla de tensión de cadena girándola en sentido de las manecillas del reloj.
5. Vuelva a comprobar la tensión establecida por la perilla de tensión automática. La tensión correcta de la cadena se alcanza cuando la Cadena se puede levantar aproximadamente la mitad de la profundidad del eslabón de impulso de la Barra guía en el centro. Dicha operación debe realizarse utilizando una mano para elevar la cadena venciendo el peso de la máquina. (Consulte la Figura F)

NOTA: La Cadena está tensada adecuadamente

cuando se puede levantar de la Barra Guía y el eslabón de impulso está dentro del riel de la Barra Guía.

NOTA: La Cadena se estirará mientras corta y perderá la tensión correcta. Cuando la cadena se afloje, desatornille completamente la Perilla de tensión de cadena o gire la perilla aproximadamente tres vueltas completas en dirección contraria a las manecillas del reloj, después vuelva a apretar la Perilla de tensión de la cadena para restablecer adecuadamente la tensión de la cadena repitiendo los Pasos 1-5 indicados anteriormente.

LUBRICACIÓN (Consulte la Figura. G)

! **Importante:** La sierra de cadena no está llena con aceite. Es esencial llenar con aceite antes de usar. Nunca opera la sierra de cadena sin aceite de cadena o con un nivel de tanque de aceite vacío, ya que esto resultará en daño extensor al producto. **NOTA:** La vida de la cadena y la capacidad de corte dependen de la lubricación óptima. Por lo tanto, la cadena se lubrica automáticamente durante la operación.

! **REPLISSAGE DU RÉSERVOIR D'HUILE:** **ADVERTENCIA:** Retire el paquete de batería antes de llenar el tanque de aceite.

1. Coloque la sierra eléctrica sobre una superficie adecuada, con el tapón de llenado de aceite orientado hacia arriba.
2. Limpie el área situada alrededor del tapón de llenado de aceite con un paño y desenrózquelo.
3. Agregue aceite para sierras eléctricas hasta que el depósito se encuentre lleno.
4. Evite que penetren suciedad o residuos en el depósito. Vuelva a colocar el tapón y apriételo.

! **¡ADVERTENCIA!** Para fomentar la ventilación del depósito de aceite, existen pequeños canales aireación entre el tapón de llenado de aceite y el filtro. A fin de evitar posibles fugas, asegúrese de que la máquina se encuentra en posición horizontal mientras no se encuentre en uso.

Es importante utilizar un lubricante para barras y cadenas (no incluido) que esté formulado para funcionar en un amplio intervalo de temperaturas sin necesidad de dilución. Esto se puede encontrar en la ubicación en la que adquirió esta sierra o en su tienda de hardware local. No utilice aceites sucios, usados o contaminados. Se pueden producir daños en la barra o la cadena. El uso de aceite no homologado invalidará la garantía.

No lo ingiera. En caso de ingestión, llame a un médico de inmediato. Manténgase lejos del alcance de los

niños. Guarde lejos de calor o flama abierta.

COMPROBAR EL ENGRASADOR AUTOMÁTICO

Es posible comprobar el funcionamiento del engrasador automático poniendo en marcha la sierra eléctrica y apuntando con la punta de la barra de cadena hacia un trozo de cartulina o papel colocado en el suelo. Si se desarrolla un patrón de aceite en aumento, el engrasador automático funciona correctamente. Si no se desarrolla ningún patrón de aceite a pesar de que el depósito de aceite se encuentre lleno, póngase en contacto con un agente del servicio de atención al cliente de Cat® o un agente de servicio autorizado.

! **PRECAUCIÓN:** No toque el suelo con la cadena. Mantenga una distancia de seguridad de 12" (30 cm).

FUNCIONAMIENTO

ANTES DE UTILIZAR LA HERRAMIENTA



ADVERTENCIA! El cargador y las baterías están diseñados especialmente para funcionar juntos; por lo tanto, no intente utilizar otros dispositivos. Nunca inserte o permita que objetos metálicos se introduzcan en el cargador o en las conexiones de las baterías, dado que ello provocará una falla eléctrica y situación de peligro.





NOTA: Su batería está DESCARGADA y debe cargarla antes de usarla. El cargador de batería suministrado está diseñado para la batería de Li-Ion instalada en la herramienta. No utilice otro cargador de baterías.

REVISAR LA CONDICIÓN DE CARGA DE LA BATERÍA (Consulte la Figura. H1)

Antes de comenzar o después del uso, presione el botón junto a la luz indicadora de encendido en la máquina para verificar la capacidad de la batería.

NOTA: La Fig. H1 sólo aplica para el paquete de batería con luz indicadora de la batería.

Observaciones	Luz LED	Estado de la batería
Cinco luces verdes iluminadas.		70 % ≤ nivel de energía ≤ 100 %
Cuatro luces verdes iluminadas.		50 % ≤ nivel de energía < 69 %

Tres luces verdes iluminadas.		$35\% \leq \text{nivel de energía} < 49\%$
Dos luces verdes iluminadas.		$20\% \leq \text{nivel de energía} < 34\%$
Una luz verde iluminada.		$10\% \leq \text{nivel de energía} < 19\%$
Ninguna luz iluminada.		Nivel de energía $< 10\%$

CARGA DE LA BATERÍA (Consulte la Figura. H2)

La batería de Li-Ion está protegida contra descargas excesivas. Cuando la batería está agotada, la herramienta se desconecta a través de un circuito de protección. En un ambiente caluroso o luego de mucho uso, la batería puede calentarse demasiado como para aceptar carga. Permita que se enfríe antes de cargarla.

PARA EXTRAER O INSTALAR LA BATERÍA (CONSULTE LAS FIGURA. I)

Presione la traba de liberación de la batería y extráigala de la herramienta. Luego de la recarga, deslice la batería en el puerto para la batería de la herramienta. Una simple presión y presión ligera serán suficientes hasta que se escuche un clic. Revise para ver si la batería está completamente asegurada.

NOTA: Cuando retire el paquete de la batería, sosténgala firmemente para evitar que caiga y lesiones.

LLAVE DE ENCENDIDO/APAGADO DE SEGURIDAD (CONSULTE LAS FIGURA. K)

⚠ ATENCIÓN: Revise el paquete de batería antes de usar su herramienta inalámbrica. Sólo use el paquete de batería indicado en la sección de accesorios.

Para **encender la herramienta**, presione el botón de apagado de seguridad, luego presione totalmente el interruptor de encendido/apagado y sosténgalo en esa posición. Ahora puede liberar el botón de apagado de seguridad.

Para **apagar**, libere el interruptor de encendido/

apagado.

NOTA: El freno de cadena debe estar activado para que la sierra se encienda.

PALANCA DE FRENO DE CADENA (CONSULTE LAS FIGURA. L)

La palanca del freno de cadena es un mecanismo de seguridad activado a través de la protección de la mano delantera, cuando ocurra retroceso. La cadena se detiene de inmediato.

La siguiente verificación de función se debe realizar en intervalos regulares. Jale la protección de la mano delantera hacia el operador (posición ❶) para desactivar el freno de la cadena. Para activar el freno de la cadena, empuje la protección de la mano delantera hacia adelante (posición ❷).

NOTA: Si la sierra no puede arrancar, aunque esté ensamblada adecuadamente y funcione con paquetes de batería completamente cargados, entonces debe verificar si la palanca del freno de cadena está en la posición correcta (posición ❶).

CORTE

⚠ IMPORTANTE: -¿Está lleno el depósito de aceite antes de poner en marcha la sierra eléctrica y regularmente durante su funcionamiento. (Figura. M) Vuelva a llenarlo de aceite si el nivel de aceite es demasiado bajo. Un depósito de aceite lleno durará aproximadamente 12 minutos, dependiendo de la intensidad de serrado y las pausas realizadas. Si la cadena es nueva, compruebe la tensión cada 10 minutos aproximadamente durante el uso.

- (1) Instalar el paquete de batería.
- (2) Cerciórese de que la porción del tronco que desea cortar no yazca sobre el suelo. De este modo, evitará que la cadena toque el suelo al cortar a través de él. Si la cadena toca el suelo mientras se encuentra en movimiento, se desfilará.
- (3) Utilice ambas manos para sujetar la sierra. Utilice siempre la mano izquierda para asir el mango anterior y la derecha para tomar la posterior. Sujétela con firmeza: los mangos de la sierra deben quedar bien tomados por sus dedos. (Consulte las Figura. N)
- (4) Asegúrese de mantener una pisada firme. Mantenga los pies separados y distribuya su propio peso sobre ambos pies en forma equilibrada.
- (5) Cuando esté dispuesto a realizar un corte, presione la traba de seguridad completamente hacia adelante con el pulgar derecho y apriete el gatillo; la sierra se encenderá. Al soltar el gatillo,

se apagará. Cerciérese de que la cadena está girando a su máxima velocidad antes de comenzar a cortar.

- (6) Al comenzar a cortar, coloque la cadena en movimiento sobre la madera. La madera debe estar lo más cerca al cuerpo de la sierra como sea posible. Sujete la sierra firmemente en su lugar para evitar que la sierra rebote hacia arriba y hacia abajo o hacia los lados.
- (7) Guíe la sierra usando presión ligera y no ponga fuerza excesiva sobre la sierra, dejando que la sierra haga su trabajo. La sierra funcionará de manera mejor y más segura si se la utiliza según ha sido diseñada. No la someta a un esfuerzo excesivo; de lo contrario, el motor se sobrecargará y se quemará. La sierra funcionará de manera mejor y más segura si se la utiliza según ha sido diseñada.
- (8) Retire la sierra del corte con la cadena girando a la máxima velocidad. Para interrumpir el corte, suelte el gatillo. Asegúrese de que la cadena haya dejado de moverse antes de asentar la sierra.
- (9) Continúe practicando sobre troncos de desecho en un área de trabajo segura hasta que esté cómodo, utilizando un movimiento fluido y una velocidad de corte uniforme.

Dispositivos de seguridad de esta sierra contra contragolpes

Esta sierra tiene una cadena de bajo contragolpe y una barra de guía de reducción de contragolpes. Ambas características reducen las probabilidades de contragolpe. Sin embargo, aún pueden ocurrir contragolpes con esta sierra.

Las siguientes medidas reducen el riesgo de contragolpe.

- Utilice ambas manos para sujetar la sierra mientras se encuentre en funcionamiento. Los pulgares y dedos de ambas manos deben envolver las manijas de la sierra en todo momento durante la operación.
- Mantenga todos los dispositivos de seguridad de la sierra en su lugar. Asegúrese de que funcionen correctamente.
- No se extienda por demás ni realice cortes por encima de la altura de sus hombros.
- Manténgase en posición firme y con buen equilibrio en todo momento.
- Permanezca ligeramente a la izquierda de la sierra. De esta manera, su cuerpo no estará directamente alineado con la cadena.
- No permita que el extremo de la barra de guía toque nada mientras la cadena se halle en movimiento.

- Nunca intente cortar dos troncos de una sola vez. Corte uno por vez.
- No hunda el extremo de la barra de guía ni intente realizar cortes "de punta" (perforando la madera utilizando el extremo de la barra de guía).
- Manténgase alerta a los cambios de posición de la madera y a otras fuerzas que pueden provocar presión sobre la cadena.
- Proceda con suma cautela al reingresar a un corte realizado previamente.
- Utilice la cadena y la barra de guía de contragolpe reducido suministrados con esta sierra.
- Nunca utilice cadenas romas (desgastadas) o sueltas. Mantenga la cadena afilada y tensada.

Cómo Usar la Sierra Seguramente

1. Asegúrese de contar con una pisada firme.
2. Sostenga la sierra con la mano derecha. (Consulte las Figura. O).
3. Asegúrese que la sierra esté funcionando a toda velocidad antes de comenzar un corte.
4. Utilice los dientes de agarre para fijar la sierra sobre la madera antes de comenzar a cortar.
5. Utilice los dientes de agarre como punto de palanca "a" durante el corte. (Consulte las Figura. P)
6. No opere la motosierra con los brazos completamente extendidos, no intente serrar áreas que son difíciles de alcanzar, no permanecer de pie sobre una escalera mientras serrando (Consulte las Figura. Q).

Nunca use la sierra de cadena arriba de la altura del hombro.

MANTENIMIENTO Y ALMACENAMIENTO DE SU SIERRA ELÉCTRICA

1. Retirar el paquete de batería
 - cuando no se encuentre en uso;
 - antes de trasladarla de un lugar a otro;
 - antes de realizar tareas de servicio en ella;
 - antes de recambiar piezas o accesorios de la misma, tales como la cadena serrada y el protector.
2. Inspeccione la cadena serrada antes y después de cada uso. Inspeccione la sierra detenidamente si se daña el protector u otra parte. Compruebe que no presente daños que pueden afectar la seguridad del operario o de la herramienta en sí. Verifique la alineación y la articulación de las piezas móviles. Compruebe que no haya piezas

rotas o dañadas. No utilice la sierra si presenta daños que afectan su funcionamiento o la seguridad del operario. Haga reparar los daños en un centro de servicios autorizado.

- Dé mantenimiento a la sierra de cadena con cuidado.
 - Nunca la exponga a la lluvia o humedad directa.
 - Mantenga la cadena afilada, limpia y lubricada para mayor rendimiento y seguridad.
 - Para afilar la cadena, siga los pasos delineados en este manual.
 - Mantenga los mangos siempre secos, limpios y sin aceite o grasa.
 - Mantenga ajustadas todas las tuercas y tornillos.
 - Mantenga el paquete de la batería alejado del calor, aceite y bordes filosos.
- El realizar tareas de servicio, utilice solo piezas de repuesto idénticas.
- Cuando no utilice la sierra, guárdela
 - en un sitio alto o bajo llave, fuera del alcance de los niños;
 - en un lugar seco;
 - con barra y cubierta de cadena colocadas

Mantenimiento de la barra

A fin de maximizar la vida útil de la barra, se recomienda efectuar el siguiente mantenimiento de la barra.

Se deberán limpiar los rieles de la barra que transportan la cadena antes de almacenar la herramienta o si la barra o cadena parecen estar sucias.

Se deberán limpiar los rieles cada vez que se extraiga la cadena.

Limpieza de los rieles de la barra

- Extraiga la cubierta de la cadena, la barra y la cadena (consulte la sección ENSAMBLE).
- Con un cepillo de alambre, destornillador o herramienta adecuada similar, elimine los residuos de los rieles de la barra. (Consulte las Figura. R)
- Asegúrese de limpiar los pasos de aceite de forma completa.

Condiciones que requieren mantenimiento de la cadena y Barra guía:

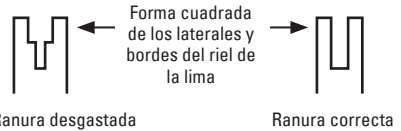
- La sierra corta hacia un lado o en un ángulo.
- Se debe forzar la sierra para realizar el corte y atravesar.
- Suministro de aceite inadecuado a la barra y cadena.

Luego de cada utilización, con la unidad desconectada de la fuente de alimentación, quite todo el aserrín de la barra de guía y orificio de la rueda

dentada.

Después de cada uso, retire el paquete de batería, limpie todo el aserrín de la Barra guía y el orificio de la rueda dentada.

Cuando el riel superior se encuentra desparejo, utilice una lima plana para devolverle los bordes y laterales cuadrados.



Reemplace la barra de guía cuando la ranura esté desgastada, la barra de guía esté doblada o agrietada, o cuando ocurra un calentamiento o quemadura de los rieles. Si es necesario efectuar el reemplazo, utilice sólo la barra de guía especificada para la sierra en la lista de piezas de reemplazo o en la calcomanía ubicada en la sierra de cadena.

Recambio de la cadena serrada/ sierra bar

Reemplace la cadena cuando los elementos de corte se encuentren demasiado gastados para ser afilados o cuando se rompa la cadena. Utilice únicamente la cadena de repuesto indicada en este manual. Si esto ocurre, reemplace la barra de guía.

Inspeccione la barra de guía antes de afilar la cadena. Una barra de guía desgastada o dañada es insegura y daña la cadena. También dificulta la realización de cortes

Coloque el cierre de tensión en la barra nueva apretando el tornillo hacia la derecha. La protuberancia del cierre (a) debe encajar en el orificio de la barra. (Consulte las Figura S)

AFILADO DE LA CADENA

⚠ ADVERTENCIA: Retire el paquete de batería antes de dar servicio. Un shock eléctrico o el contacto de su cuerpo con la cadena en movimiento puede provocarle lesiones graves y aun la muerte. Los bordes de corte de la cadena son afilados. Utilice guantes de protección al manipular la cadena.

Mantenga la cadena afilada. La sierra cortará de manera más rápida y segura. El uso de una cadena desafilada provocará el desgaste innecesario de la rueda dentada, la barra de guía y el motor. Si resulta necesario aplicar fuerza para introducir la cadena en la madera, y si al cortar sólo obtiene viruta y algunos trozos grandes, la cadena está desafilada.

Lubricación de la rueda dentada

⚠ ¡ADVERTENCIA! Utilice guantes de alta

resistencia al realizar el mantenimiento o reparación de esta herramienta.

Siempre retire el paquete de batería antes de realizar cualquier servicio o mantenimiento en esta herramienta.

NOTA: No es necesario extraer la cadena o barra para la lubricación de la cadena dentada.

1. Limpie la barra y la cadena dentada.
2. Con una engrasadora, inserte la punta en el orificio de lubricación e inyecte grasa hasta que sobresalga del borde externo de la punta de la cadena dentada. (Consulte las Figura. T)
3. Para girar la rueda dentada, tire de la cadena con la mano hasta que el lado sin grasa quede alineado con el orificio de grasa. Repita el procedimiento de lubricación.

MANTENIMIENTO DE LA SIERRA

Siga las instrucciones de mantenimiento de este manual. La limpieza correcta de la sierra y el mantenimiento adecuado de la cadena y la barra de guía pueden reducir las probabilidades de contragolpe. Después de cada uso, inspeccione su sierra y realice las tareas de mantenimiento necesarias. Esto prolongará la vida útil de la sierra.

Nota: el riesgo de contragolpe puede incrementar cada vez que se afila la cadena, aun al afilarla debidamente.

PARA HERRAMIENTAS DE BATERÍA


El rango de temperatura ambiente para uso y almacenamiento de la herramienta y la batería es de 32°F-113°F (0°C-45°C).

El rango de temperatura ambiente recomendado para el sistema de carga durante la carga es de 32°F-104°F (0°C-40°C).

TABLA DE RESOLUCIÓN DE PROBLEMAS

La siguiente tabla incluye comprobaciones y acciones que pueden realizarse si la máquina no funciona de forma correcta. Si estas indicaciones no identifican/resuelven el problema, póngase en contacto con su agente de servicio.

 **¡ADVERTENCIA! Apague y retire el paquete de batería antes de investigar la falla.**

Síntoma	Causa posible	Solución
La sierra de cadena no funciona	Carga de batería baja.	Cargue el paquete de batería.
	Freno de cadena no está en la posición adecuada.	Verifique que el freno de cadena esté en la posición  . Consulte FRENO DE CADENA respecto a detalles.
La sierra de cadena funciona de forma intermitente	Sobrecalentamiento.	Coloque la máquina en un lugar fresco y ventilado, para permitir que se enfríe.
	Se aplica demasiada presión mientras corta.	Aplique menos presión mientras corta.
	Conexión floja	Póngase en contacto con un agente de servicio
	Cableado interno defectuoso	
	Interruptor de encendido/apagado	
Cadena seca	Sin aceite en el depósito	Llene con aceite
	Abertura en el tapón de aceite atascada	Limpie el tapón
	Conducto de aceite atascado	Llene con aceite
Freno de retroceso / Freno de operación	Limpie el tapón	Póngase en contacto con un agente de servicio
Sobrecalentamiento de la cadena/barra de la cadena	Sin aceite en el depósito	Llene con aceite
	Abertura en el tapón de aceite atascada	Limpie el tapón
	Conducto de aceite atascado	Limpie la salida del conducto de aceite
	Exceso de tensión de la cadena	Ajuste la tensión de la cadena
	Cadena mellada	Afile la cadena o reemplácela
La sierra de cadena desgarrada, vibra o no corta de forma correcta	Tensión de cadena demasiado floja	Ajuste la tensión de la cadena
	Cadena mellada	Afile la cadena o reemplácela
	Cadena desgastada	Reemplace la cadena
	Los dientes de la cadena se encuentran en la dirección incorrecta	Coloque la cadena en la dirección correcta

CAT[®]



www.catpowertools.com
AR01569402



©2021 Caterpillar. CAT, CATERPILLAR, their respective logos, "Caterpillar Yellow," the "Power Edge" trade dress as well as corporate and product identity used herein, are trademarks of Caterpillar and may not be used without permission. Positec Group Limited, a licensee of Caterpillar Inc