



CFMTM
CONTINENTAL FAN

*better AIRFLOW by DESIGN*TM

Residential Fans & Air Purifiers



MFT MIXED FLOW IN-LINE FANS

MFT Mixed Flow In-Line Fans are designed for residential and light commercial ventilation applications. These compact, powerful, and quiet fans feature a durable UV resistant plastic housing and a two speed motor. MFT fans are available in 4", 6", 8", 10" & 12" duct diameters and are ideally suited for either supply or exhaust ventilation systems.



Design Features

- UV and corrosion resistant, durable plastic housing
- Powerful, compact and quiet mixed flow impeller
- Easy to install - mounting brackets included - simple maintenance
- May be mounted in any position
- Ideal for long duct runs
- Fans may be used to supply or exhaust air
- Suitable for air temperatures up to 140 F
- Optional pre-wired with 120V power cord (MFT-C)
- Energy efficient two speed motor
- Single-phase asynchronous motor; IPX4 protection
- Permanently lubricated ball bearing motor for maintenance-free operation
- Automatic reset thermal overload protection
- Fan and motor are precision balanced for quiet and vibration-free operation
- Easy access to motor & impeller; no need to dismantle duct work
- Available to fit duct sizes 4" - 12"; airflow capacities to 1,051 cfm



FAN OPTIONS

Accessories

Controls

Grilles

MODEL	SPEED	RPM	WATTS	AIRFLOW PERFORMANCE (CFM)								
				0" SP	0.125" SP	0.2" SP	0.25" SP	0.5" SP	0.75" SP	1.0" SP	1.25" SP	1.5" SP
MFT100	High	3113	36.0	105	49	37	32	13	-	-	-	-
	Low	2818	29.5	62	41	30	23	2	-	-	-	-
MFT125	High	2600	41.0	126	112	99	46	-	-	-	-	-
	Low	2350	31.0	87	64	27	4	-	-	-	-	-
MFT150	High	2033	55.0	252	233	216	199	78	10	-	-	-
	Low	1386	29.0	167	129	75	61	21	-	-	-	-
MFT200	High	2116	111.0	473	450	432	420	352	254	89	-	-
	Low	1622	69.5	349	317	294	276	158	32	-	-	-
MFT250	High	2525	200.0	880	873	866	862	816	708	581	450	323
	Low	1925	130.0	655	646	630	620	480	330	230	115	10
MFT300	High	2419	353.0	1051	1020	999	986	914	838	746	632	500
	Low	1914	236.0	830	797	770	751	638	496	335	209	109

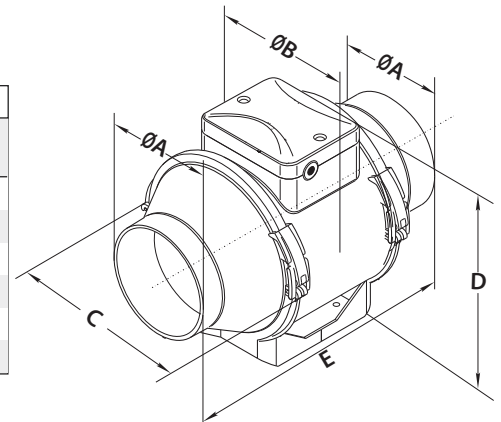
FOR PRE-WIRED WITH 120V POWER CORD, ADD -C TO MODEL.

MODEL	DUCT DIA.	DIMENSIONS IN INCHES*					SHIP WT (LBS)
		ØA	ØB	C	D	E	
MFT100	4"	3.8	5.5	6.6	7.5	9.7	5.0
MFT125	5"	4.8	5.5	6.6	7.5	9.7	5.0
MFT150	6"	5.8	7.7	8.8	9.8	11.6	8.0
MFT200	8"	7.8	8.3	9.4	10.3	11.6	16.0
MFT250	10"	9.8	10.1	11.3	12.7	15.2	20.0
MFT300**	12"	12.3	12.7	14.3	16.1	22.9	27.0

*DO NOT USE FOR CONSTRUCTION

CONSULT FACTORY FOR CERTIFIED PRINTS

**INCLUDES 2 DUCT REDUCERS TO FIT 12" DUCT



MFT-S MIXED FLOW IN-LINE FANS

MFT-S Mixed Flow In-Line Fans are designed to be virtually silent. The specially designed housing is optimized with an aerodynamic diffuser and specially designed impeller to produce powerful pressure and airflow, while generating very little noise. MFT-S fans are available in 4", 5", & 6" duct diameters and are ideally suited for either supply or exhaust ventilation systems.



Design Features

- UV and corrosion resistant, durable plastic housing
- Virtually silent mixed flow fan aerodynamically designed for smooth airflow
- Easy to install - mounting brackets included
- May be mounted in any position
- Ideal for long duct runs
- Fans may be used to supply or exhaust air
- Suitable for air temperatures up to 140 F
- Optional pre-wired with 120V power cord (MFT-S-C)
- Energy efficient two speed motor
- Single-phase asynchronous motor; IPX4 protections
- Permanently lubricated ball bearing motor for maintenance-free operation
- Automatic reset thermal overload protection
- Fan and motor are precision balanced for quiet and vibration-free operation
- Easy access to motor & impeller; no need to dismantle duct work
- Available to fit duct sizes 4", 5" & 6"; airflow capacities to 327 cfm



FAN OPTIONS

Accessories

Controls

Grilles

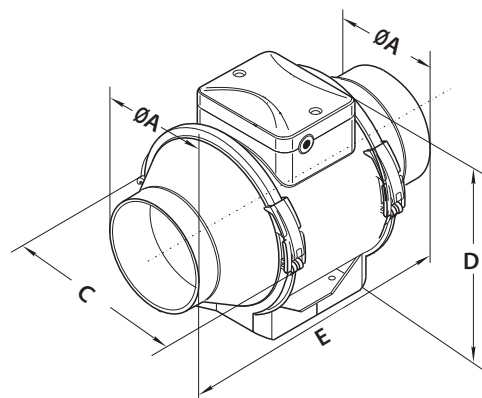
MODEL	SPEED	RPM	WATTS	AIRFLOW PERFORMANCE (CFM)											
				0" SP	0.1" SP	0.2" SP	0.3" SP	0.4" SP	0.5" SP	0.6" SP	0.7" SP	0.8" SP	0.9" SP	1.0" SP	
MFT100S	High	1994	30	146	128	110	88	64	44	21	9	-	-	-	
	Low	1500	24	109	88	68	47	22	10	-	-	-	-	-	
MFT125S	High	2059	37	200	183	161	137	93	62	32	0	-	-	-	
	Low	1360	25	132	106	80	51	13	-	-	-	-	-	-	
MFT150S	High	2617	66	327	316	299	283	268	247	225	194	138	83	50	
	Low	1933	52	240	219	194	171	134	111	86	57	27	7	-	

FOR PRE-WIRED WITH 120V POWER CORD, ADD -C TO MODEL.

MODEL	DIMENSIONS IN INCHES*					SHIP WT (LBS)
	DUCT DIA.	ØA	C	D	E	
MFT100S	4"	3.8	7.7	8.9	11.9	5.0
MFT125S	5"	4.8	7.7	8.9	10.2	5.0
MFT150S	6"	5.8	8.7	9.8	11.4	8.0

*DO NOT USE FOR CONSTRUCTION

CONSULT FACTORY FOR CERTIFIED PRINTS



SUPPLY & EXHAUST GRILLES

Enhance your bathroom décor with Continental Fan's attractive ventilation grilles. These sleek and attractive grilles compliment any bathroom interior and maximize your fan's performance.



Adjustable Ventilation Grilles

GR adjustable ventilation grilles are designed for ceiling or wall applications. The fully adjustable ventilation grilles are easy to install and adjust. GR grilles are ideal for use with in-line fans.

- ❑ GR100 Adjustable Grille 4", Collar
- ❑ GR150 Adjustable Grille 6", Collar
- ❑ GR200 Adjustable Grille 8", Collar
- ❑ GR100-6PK Adjustable Grille 4", Collar - 6 pcs
- ❑ GR150-6PK Adjustable Grille 6", Collar - 6 pcs



AeroGrille Ventilation Grilles

AeroGrilles feature quality construction and allow for whisper quiet airflow. Designed for use with either in-line or external mount duct fans, they fit a standard 6" duct.

- ❑ AG150 AeroGrille 6"
- ❑ AG150-C AeroGrille 6", Collar
- ❑ AG150-CD AeroGrille 6", Collar, Damper



Retro Ventilation Grilles

Square or round retro supply and exhaust grilles are ideal for use with in-line duct fans.

- ❑ RTR678 Round Grille, 6"-7"-8", Stepped Collar
- ❑ RTS678 Square Grille, 6"-7"-8", Stepped Collar



Decorative Ventilation Grilles

These attractive grilles are designed for use with non-lighted versions of AeroFan bathroom fans.

- ❑ TGRRD90 Grille TBF90, Round Silver/Chrome
- ❑ TGRRD120 Grille TBF120, Round Silver/Chrome
- ❑ TGRSQ90 Grille TBF90, Square Silver/Chrome
- ❑ TGRSQ120 Grille TBF120, Square Silver/Chrome
- ❑ TGRCH90 Grille TBF90, Rectangular Silver/Chrome
- ❑ TGRCH120 Grille TBF120, Rectangular Silver/Chrome

DFC DIGITAL FAN CONTROL

Indoor Air Quality (IAQ)

Indoor Air Quality (IAQ) has become an important part of our everyday lives. IAQ affects us in the workplace, schools and more significantly, in our homes. The American Society of Heating, Refrigeration and Air-Conditioning Engineers publishes ASHRAE 62.2, a standard that defines the minimum ventilation requirement and acceptable indoor air quality in low-rise residential buildings.

The DFC Digital Fan Control uses smart technology to address the requirements of ASHRAE 62.2, and it is capable of automatically calculating the airflow required to achieve acceptable indoor air quality. It is designed to provide increased ventilation control that is efficient and affordable. Its unique architecture offers a choice of five distinct modes of operation, allowing the control to be programmed to suit a user's preference and lifestyle. When combined with an AXC In-Line Duct Fan, the DFC Digital Fan Control provides an excellent way of meeting IAQ standards.



Design Features

- Easy to install
- Simple to program
- Convenient display with backlight
- User friendly icons
- Easy to read digital clock
- Automatic Daylight Savings Time function
- ASHRAE 62.2 ventilation standard
- Promotes proper Indoor Air Quality (IAQ)
- Ideal for home & bathroom ventilation
- Available in white or ivory
- Designed for single-speed fan operation
- Five year warranty

Modes of Operation

The DFC Digital Fan Control allows the user to choose from five modes of operation:

1. Ventilation Mode



The Ventilation Mode is designed to achieve ASHRAE 62.2 acceptable indoor air quality. In this mode, the fan control operates on a 60 minute cycle, automatically determining the percentage of run time based on floor space, number of rooms and fan capacity. For example, if the fan is On for 15 minutes, it will be Off for 45 minutes.

2. Customized Cycle Mode



The Customized Cycle Mode allows the user to set the On and Off periods for the fan. Once selected, the control will cycle the fan automatically based on the user's preference.

3. Daily On/Off Mode



The Daily On/Off Mode allows the user to program the fan to turn On and Off once a day, at user defined times.

4. Manual Mode



In the Manual Mode, the control operates the fan like a regular on/off switch. Simply pressing the main button turns the fan On or Off.

5. Countdown Mode



The Countdown Mode allows the fan to operate for any period between 10 and 60 minutes. At the end of the countdown period, fan operation will return to its prior programmed mode.

VENTILATION AIR REQUIREMENTS (CFM)

Floor Area (ft ²)	Bedrooms				
	0-1	2-3	4-5	6-7	>7
< 1,500	30	45	60	75	90
1,501 - 3,000	45	60	75	90	105
3,001 - 4,500	60	75	90	105	120
4,501 - 6,000	75	90	105	120	135
6,001 - 7,500	90	105	120	135	150
> 7,500	105	120	135	150	165

Table 4.1A, ASHRAE 62.2-2007

Fan Controls



Variable Speed Controls (Solid State)

VSC3 and VSC9 variable speed controls are designed for AC motors.

- VSC3 Variable Speed Control - 3 amp - 3 Wire
- VSC9 Variable Speed Control - 9 amp - 3 Wire



Digital Timers

Time control auto shut off, in preset intervals, allows for proper ventilation and energy savings. The red LED indication light remains lit until the unit shuts off.

- DT60 Digital Timer 10 - 20 - 30 - 60 Minutes



Spring Wound Timer

Spring wound timer provides energy savings by limiting the "on-time" of the fan, up to 60 minutes. CT timers are easily installed in a standard electrical box. Cover plate not included.

- CT100V Spring Wound Timer 0 - 1 Hour



On/Off Switch (w/Pilot Light)

The neon light is ON when the switch is in the ON position. 15Amp, 120V Single Pole/ AC Switch. Cover plate not included.

- PLS120V ON/OFF Switch w/Pilot Light



Thermostat

The TST120V thermostat is suitable for direct connection with any resistance heating element or unit heater.

- TST120V Line Voltage Thermostat, 120V



Dehumidistat (for Humidity Control)

Wall mounted DHS dehumidistat allows for "problem" areas to be targeted for ventilation. Regulates relative humidity from 20% to 80% RH (8% RH Maximum Differential).

- DHS120V Dehumidistat



Current Sensor (Solid State)

The CS120VAF current sensor provides a compact, low cost method of detecting AC current. It is ideal for ON/OFF sensing of remote equipment.

- CS120AF Current Sensor, 120V, Solid State



Pressure Switch (with Time Delay)

Designed for HVAC or Energy Management applications, PST120V pressure switch is an airflow proving switch with an electronic cycle timing board.

- PST120V Pressure Switch w/Time Delay



Auto Transformer

TF auto transformer allows for voltage to be regulated to 60V & 90V increments. Channel frame mounting and metal end shells make for a simple installation.

- TF120V Auto Transformer - 90/60V

Fan Accessories



Mounting Clamps for Rigid Duct

MC mounting clamps are designed for use with rigid duct. The foam neoprene layer creates an air tight and solid installation for in-line duct fans.

- ❑ MC100 Mounting Clamps for Rigid 4" Duct (2pc)
- ❑ MC125 Mounting Clamps for Rigid 5" Duct (2pc)
- ❑ MC150 Mounting Clamps for Rigid 6" Duct (2pc)
- ❑ MC200 Mounting Clamps for Rigid 8" Duct (2pc)
- ❑ MC250 Mounting Clamps for Rigid 10" Duct (2pc)
- ❑ MC300 Mounting Clamps for Rigid 12" Duct (2pc)
- ❑ MC355 Mounting Clamps for Rigid 14" Duct (2pc)



Gear Clamps for Flexible Duct

GC stainless steel gear clamps are an easy and effective way to connect an in-line duct fan to flexible insulated duct and other auxiliary pieces.

- ❑ GC150 Gear Clamp for 4" - 6" Duct, Stainless Steel
- ❑ GC200 Gear Clamp for 5.5" - 8.5" Duct, Stainless Steel



Flexible Insulated Duct

FL models are UL-181 Class 1 air duct, wrapped with R4.2 insulation. FLM models are UL-181 and ULCS-110 M Class air duct, wrapped with 2-ply black polyester laminated inner core.

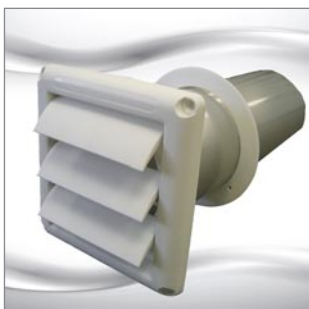
- ❑ FL100 Flexible Insulated 4" Duct - 12.5' Length
- ❑ FL100-25 Flexible Insulated 4" Duct - 25' Length
- ❑ FL125 Flexible Insulated 5" Duct - 25' Length
- ❑ FL150 Flexible Insulated 6" Duct - 25' Length
- ❑ FL200 Flexible Insulated 8" Duct - 25' Length
- ❑ FL250 Flexible Insulated 10" Duct - 25' Length
- ❑ FL300 Flexible Insulated 12" Duct - 25' Length
- ❑ FLM100 Flexible Insulated 4" Duct - 10' Length
- ❑ FLM100-25 Flexible Insulated 4" Duct - 25' Length
- ❑ FLM125 Flexible Insulated 5" Duct - 25' Length
- ❑ FLM150 Flexible Insulated 6" Duct - 25' Length
- ❑ FLM200 Flexible Insulated 8" Duct - 25' Length
- ❑ FLM250 Flexible Insulated 10" Duct - 25' Length
- ❑ FLM300 Flexible Insulated 12" Duct - 25' Length



Wye Fittings

WYE fittings provide an airtight branch fitting. The crimp and bead edging ensures an easy connection. Available in 28 Ga.

- ❑ WYE-04 Y-Fitting, 4"x4"x4" Duct
- ❑ WYE-06 Y-Fitting, 6"x6"x6" Duct
- ❑ WYE-08 Y-Fitting, 8"x8"x8" Duct

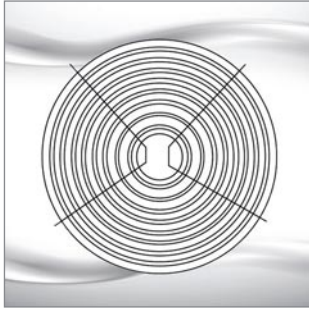


Louvered Shutters (with Tail Piece)

LS louvered shutters are designed as plastic molded vent hoods. The weather resistant louvered construction prevents wind and rain from entering the vent.

- ❑ LS100-4W Louvered Shutter, 4" Duct
- ❑ LS150-6W Louvered Shutter, 6" Duct

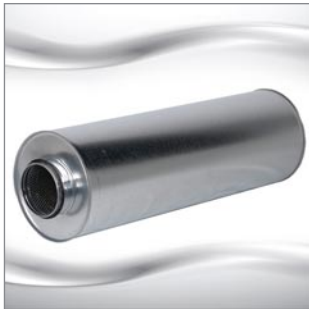
Fan Accessories



Guards

PG guards are used in various applications. Utilize a PG guard as a grille, or mount it directly on the outlet/inlet of a fan to allow for a safe installation.

- PG100 Guard, 4" Duct
- PG125 Guard, 5" Duct
- PG150 Guard, 6" Duct
- PG200 Guard, 8" Duct
- PG250 Guard, 10" Duct
- PG300 Guard, 12" Duct



Sound Attenuators

SA sound attenuators are designed to reduce fan noise traveling along ventilation ducts. They may be used in either supply or exhaust ducts.

- SA100 Sound Attenuator, 4" Duct
- SA150 Sound Attenuator, 6" Duct
- SA200 Sound Attenuator, 8" Duct
- SA250 Sound Attenuator, 10" Duct
- SA300 Sound Attenuator, 12.4" Duct
- SA400 Sound Attenuator, 16" Duct



Duct Reducers/Increases

DRI duct reducers/increasers are used to transition a duct from a larger or smaller size. Available in 28 Ga.

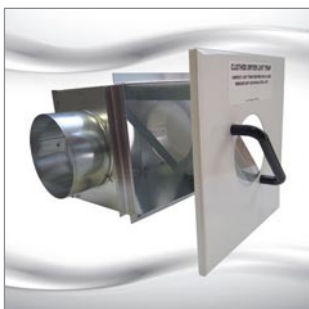
- DRI-04-03 Duct Reducer/Incraser, 4" - 3" Duct, Plastic
- DRI-06-04 Duct Reducer/Incraser, 6" - 4" Duct, Galvanized
- DRI-08-06 Duct Reducer/Incraser, 8" - 6" Duct, Galvanized
- DRI-10-08 Duct Reducer/Incraser, 10" - 8" Duct, Galvanized
- DRI-12-10 Duct Reducer/Incraser, 12" - 10" Duct, Galvanized
- DRI-14-12 Duct Reducer/Incraser, 14" - 12" Duct, Galvanized



Roof & Wall Caps

Black plastic roof caps include damper, screen, and collar. Aluminum wall caps include spring controlled damper.

- RC100 Roof Cap, 4" Duct, Black Plastic
- RC150 Roof Cap, 6" Duct, Black Plastic
- RC200 Roof Cap, 8" Duct, Black Plastic
- WC100 Wall Cap, 4" Duct, Aluminum, Reducer 4" - 3"
- WC150 Wall Cap, 6" Duct, Aluminum
- WC200 Wall Cap, 8" Duct, Aluminum



Lint Trap

LT100 lint traps offer a simple solution for reducing maintenance associated with dryer vents. The one-piece door with screen slides easily into place, without having to fuss with flimsy springs or clips. Its versatile design allows for either wall or ceiling mount installation.

- LT100 Lint Trap for Dryer, 4" Duct

DAMPERS

BDD BACKDRAFT DAMPERS



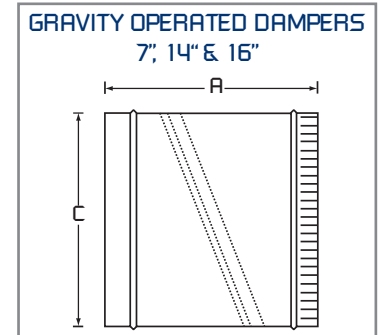
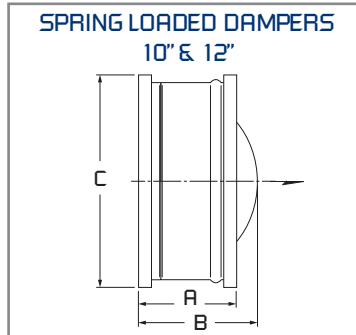
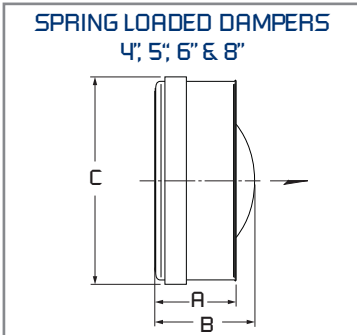
Spring Loaded Dampers

- Neoprene damper seal to minimize air leakage
- Steel housing, aluminum butterfly damper blades
- Gasket designed to withstand temperatures from -22 F to 180 F
- Requires from 0.04 to 0.08 in. wg pressure to open
- Simple installation in any position - entire assembly inserts into duct
- Exterior foam gasket assures a tight seal against duct
- 4", 5", 6" & 8" sizes include stamped metal sleeve with center pin / post designs
- 10" & 12" sizes include rolled metal sleeve with center post design



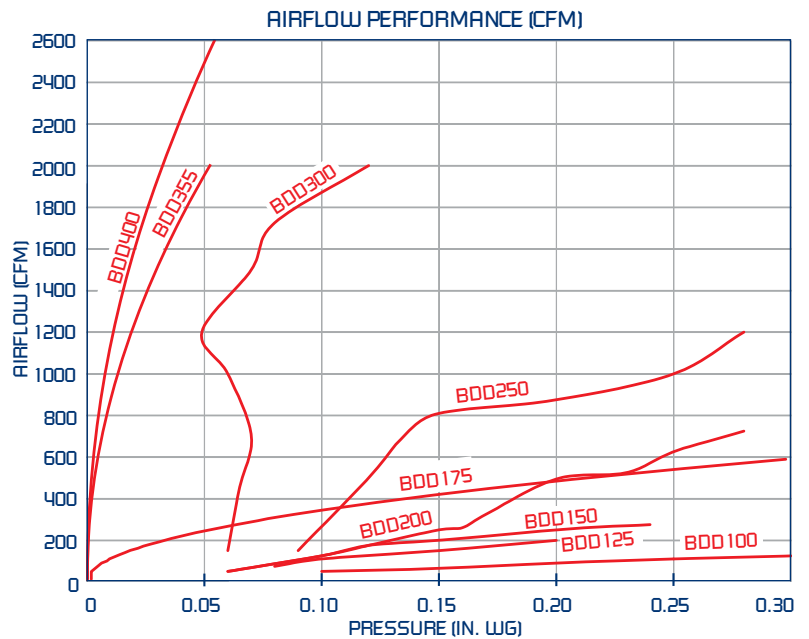
Gravity Operated Dampers

- Low air leakage design
- Galvanized steel housing, aluminum butterfly damper blades
- Gravity operated closure
- Install in horizontal or vertical (upblast only) position
- Suitable for supply or exhaust applications
- Available in 7", 14" & 16" sizes



MODEL	DIMENSIONS IN INCHES*			Gauge
	A	B	C (Nominal)	
SPRING LOADED DAMPERS				
BDD100	1.8	2.0	4	20
BDD125	2.0	2.5	5	20
BDD150	2.5	3.0	6	20
BDD200	2.8	3.8	8	20
BDD250	4.8	6.0	10	20
BDD300	6.3	6.8	12	20
GRAVITY OPERATED DAMPERS				
BDD175	7.0	-	7	28
BDD355	12.0	-	14	24
BDD400	14.0	-	16	22

*DO NOT USE FOR CONSTRUCTION
CONSULT FACTORY FOR CERTIFIED PRINTS





Helpful Tips

Use insulated duct in unheated spaces.

Control air volume with a variable speed control.

Sound levels in a duct fan installation decrease as the distance of the fan from the intake grille increases. Five feet is usually adequate.

Rigid duct tends to echo fan noise. To reduce sound levels, use flexible insulated duct.

One 4" fan will boost air up to 90 linear feet of duct.

Always consult local building codes prior to selecting product and materials.

DUCT BOOSTING

DOES YOUR HOME HAVE A ROOM THAT IS DIFFICULT TO HEAT OR COOL?

Many homes and office buildings have at least one area that presents a problem for heating or cooling. This is usually the result of additions or renovations being made without proper consideration for the heating / cooling systems.

In-line duct fans solve many air moving problems efficiently and quietly. They are designed to boost airflow through long or complex duct runs, resulting in better air comfort in the "problem" areas.

Combining a pressure switch with an additional thermostat located in the "problem" area provides additional control. This combination only provides air boosting when both the pressure switch is activated by the furnace fan and the temperature in the area rises or falls below a comfortable setting.

All of Continental Fan's in-line duct fans are ideal for duct boosting.

FAN OPTIONS & ACCESSORIES



AXC
In-Line Duct Fans



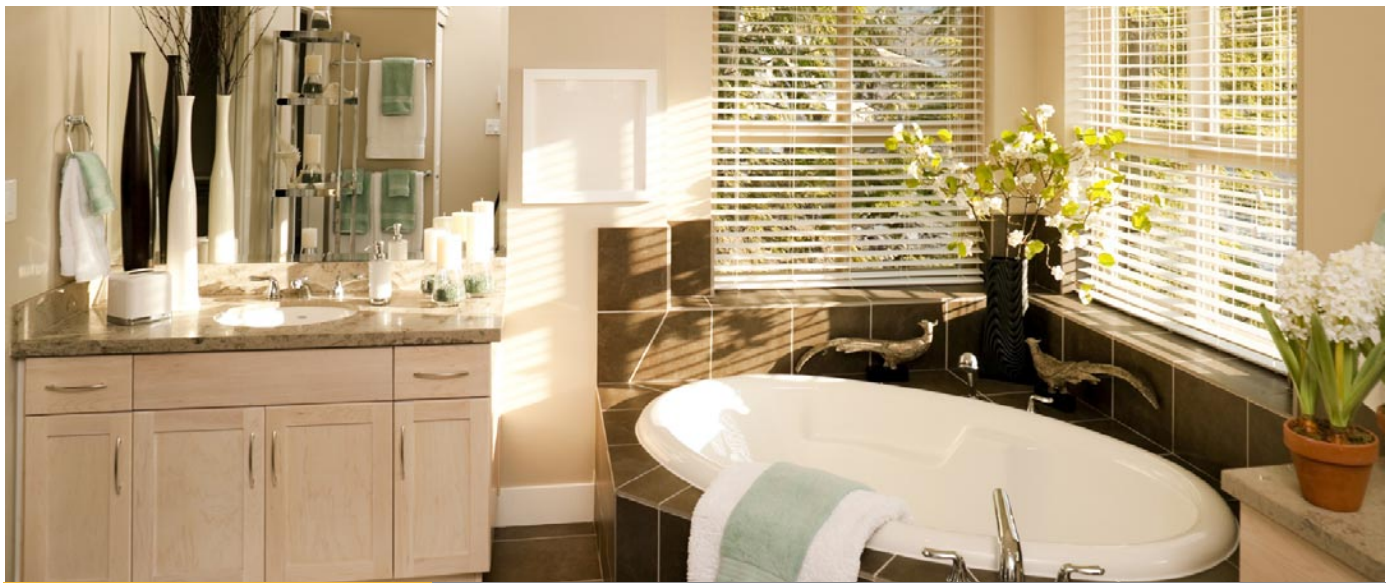
EXT
External Mount Duct Fans



MBI
Centrifugal In-Line Fans



MFT-S
Mixed Flow In-Line Fans



How much airflow is required?

The following recommendations follow minimum guidelines published by the Home Ventilating Institute (HVI):

Bathroom less than 100 square feet:

- 1 cfm per square foot of floor area. A minimum of 50 cfm is the required ventilation rate.

Bathroom larger than 100 square feet:

- To calculate the proper ventilation rate, add the cfm requirement for each fixture; toilet 50 cfm, shower 50 cfm, bathtub 50 cfm, jetted tub 100 cfm.

Note: For proper sizing, the static pressure (SP) needs to be calculated. For typical applications, you may read from the 0.2" SP column for a selection.

BATHROOM EXHAUST

HOW WELL DOES YOUR BATHROOM EXHAUST FAN PERFORM?

As our homes continue to grow, so do our bathrooms. A lot of time and effort goes into renovating and creating the ideal bathroom. The bathroom has become a space of luxury and relaxation the entire family enjoys. We crave the tranquil spaces, equipped with everything from traditional tubs and showers, to steam baths, whirlpools, and saunas.

To ventilate these new spaces properly and to prevent mold and mildew buildup, multiple venting points and a powerful yet quiet exhaust system are required. Low quality, noisy, ceiling mounted bath fans are not capable of providing this. There is, however, a simple solution. Continental Fan's remote mount in-line duct fans provide the strong, quiet, and effective exhaust required to meet today's bathroom ventilation needs!

AXC, AXP, and MFT fans can be mounted in the attic. If space is limited, select an EXT external mount duct fan, which can be mounted to an exterior wall, or an MBI centrifugal in-line fan, which can be mounted between two studs.

If a traditional in-ceiling fan is your preference, then the high quality AeroFan is an ideal solution. The sleek design of the AeroFan is available in lighted or non-lighted versions.

FAN OPTIONS & ACCESSORIES



EXT
External Mount Duct Fans



AXC
In-Line Duct Fans



MBI
Centrifugal In-Line Fans



AeroFan
Bathroom Fans



How to size a Range Hood Exhaust Fan

The following recommendations follow minimum guidelines published by the Home Ventilating Institute (HVI):

Wall Mounted Range Hood:

- 100 cfm per foot of hood width (36" range would require a minimum 300 cfm)

Island Style Range Hood:

- 150 cfm per foot of hood width (36" range would require a minimum 450 cfm)

Note: Local building codes, as well as any recommendations provided by the range and range hood manufacturers, should be consulted before making a fan selection.

RANGE HOOD EXHAUST

HOW WELL DOES YOUR RESIDENTIAL RANGE HOOD EXHAUST PERFORM?

Whether one is an active parent on the go, or a gourmet chef moonlighting at a day job, the kitchen is the heart of a home. The household congregates there for breakfast, reviews daily activities, and enjoys family dinners. All too often, kitchens can be marred by smoke and odors due to an inefficient range hood.

In-line duct fans are a simple solution for an inefficient residential range hood. In-line duct fans can be used as a principle exhaust fan or as a booster fan to improve the efficiency of an existing residential range hood. These fans may be speed controlled with an independent speed controller, or by tying into an existing range hood controller.

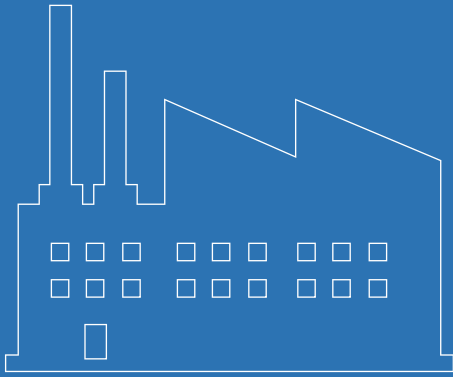
AXC in-line duct fans and EXT external mount duct fans are ideal for range hood exhaust.

WHAT IF A RANGEHOOD ISN'T AN OPTION?

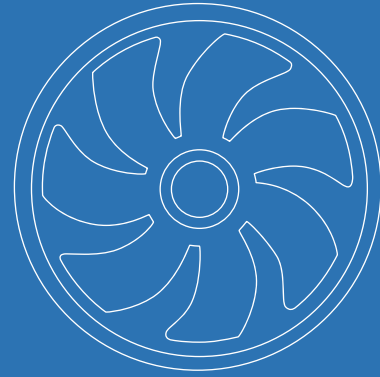
Not every home or remodel is suited for a rangehood to ventilate the kitchen. Homeowners can still evacuate the smoke and odor produced from cooking, with the same quiet and efficient exhaust fans used in rangehood ventilation. Continental Fan recommends using ceiling grilles combined with an AXC in-line duct fan or EXT external mount fan and a variable speed control. Ceiling grilles can be installed directly over the area you want to target, so when in use the fumes will not linger around the house.

FAN OPTIONS & ACCESSORIES





***Industrial Fans
& Blowers***



***OEM Solutions
& Custom Fans***



***Commercial Fans
& Dampers***



***Residential Fans &
Air Purifiers***



Residential Fans & Air Purifiers

Continental Fan Manufacturing Inc.
203 Eggert Road
Buffalo, New York 14215

Continental Fan Canada Inc.
12-205 Matheson Blvd E
Mississauga, Ontario L4Z 3E3

Continental Fan Manufacturing Inc.
6274 Executive Blvd.
Dayton, Ohio 45424

1-800-779-4021 • www.continentalfan.com

Distributed by:

Residential-CAT-1706