



Home Generator Systems

Installation & Start-Up Manual



**7000 Watt
Automatic**

Thank you for purchasing this quality-built Briggs & Stratton home generator. We're pleased that you've placed your confidence in the Briggs & Stratton brand. When operated and maintained according to the instructions in the operator's manual, your home generator will provide many years of dependable service.

This manual contains safety information to make you aware of the hazards and risks associated with residential generator systems and how to avoid them. This generator system is designed and intended only for use as an optional home standby system that provides an alternate source of electric power and to serve loads such as heating, refrigeration systems, and communication systems that, when stopped during any power outage, could cause discomfort or inconvenience. **Save these instructions for future reference.**

This generator system requires professional installation before use. The installer should follow the instructions completely.

Where to Find Us

You never have to look far to find support and service for your generator. Consult your Yellow Pages. There are many Briggs & Stratton authorized service dealers who provide quality service. You can also contact Technical Service by phone at **(800) 743-4115**, or click on Find a Dealer at BRIGGSandSTRATTON.COM, which provides a list of authorized dealers..

For Future Reference

Please fill out the information below and keep with your receipt to assist in unit identification for future purchase issues.

Date of Purchase

Generator

Model Number

Model Revision

Serial Number

Engine

Model Number

Serial Number

Briggs & Stratton Power Products Group, LLC
P.O. Box 702
Milwaukee, WI 53201-0702

Copyright © 2010. All rights reserved. No part of this material may be reproduced or transmitted in any form without the express written permission of Briggs & Stratton Power Products Group, LLC.

Table of Contents

Important Safety Instructions	4
Installation	7
Installing Dealer/Contractor Responsibilities	7
Delivery Inspection	7
Shipment Contents	7
The Gaseous Fuel System	10
Fuel Consumption	12
Fuel Pipe Sizing	12
System Connectors	13
Grounding the Generator	14
Fault Detection System	15
System Control Panel	15
Final Installation Considerations	16
Engine Adjustment	17
Test Shutdown(s) Procedure	17
Fuel Conversion	19
Schematic Diagram	20
Wiring Diagram	21
Controls	22
Operation	22
Automatic Operation Sequence	22
Setting Exercise Timer	22
Installation Inspection	22

Not for
Reproduction

Save These Instructions

Important Safety Instructions

SAVE THESE INSTRUCTIONS - This manual contains important instructions that should be followed during installation and maintenance of the generator and batteries.

Safety Symbols and Meanings



Explosion



Fire



Electrical Shock



Toxic Fumes



Rotating Parts



Hot Surface



Auto Start



Explosive Pressure



Chemical Burn



Lift Hazard



Read Manual

▲ The safety alert symbol indicates a potential personal injury hazard. A signal word (DANGER, WARNING, or CAUTION) is used with the alert symbol to designate a degree or level of hazard seriousness. A safety symbol may be used to represent the type of hazard. The signal word *NOTICE* is used to address practices not related to personal injury.

▲ **DANGER** indicates a hazard which, if not avoided, *will* result in death or serious injury.

▲ **WARNING** indicates a hazard which, if not avoided, *could* result in death or serious injury.

▲ **CAUTION** indicates a hazard which, if not avoided, *could* result in minor or moderate injury.

NOTICE addresses practices not related to personal injury.

The manufacturer cannot possibly anticipate every possible circumstance that might involve a hazard. The warnings in this manual, and the tags and decals affixed to the unit are, therefore, not all-inclusive. If you use a procedure, work method or operating technique that the manufacturer does not specifically recommend, you must satisfy yourself that it is safe for you and others. You must also make sure that the procedure, work method or operating technique that you choose does not render the generator system unsafe.

▲ **WARNING** Running engine gives off carbon monoxide, an odorless, colorless, poison gas. Breathing carbon monoxide can cause headache, fatigue, dizziness, vomiting, confusion, seizures, nausea, fainting or death.

- Operate generator **ONLY** outdoors.
- Install a battery operated carbon monoxide alarm near the bedrooms.
- Keep exhaust gas from entering a confined area through windows, doors, ventilation intakes, or other openings.

▲ **WARNING** The engine exhaust from this product contains chemicals known to the State of California to cause cancer, birth defects, or other reproductive harm.

▲ **WARNING** Certain components in this product and related accessories contain chemicals known to the State of California to cause cancer, birth defects, or other reproductive harm. Wash hands after handling.

▲ **WARNING** Storage batteries give off explosive hydrogen gas during recharging. Slightest spark will ignite hydrogen and cause explosion. Battery electrolyte fluid contains acid and is extremely caustic.

Contact with battery contents will cause severe chemical burns.

A battery presents a risk of electrical shock and high short circuit current.

- DO NOT dispose of battery in a fire. Recycle battery.
- DO NOT allow any open flame, spark, heat, or lit cigarette during and for several minutes after charging a battery.
- DO NOT open or mutilate the battery.
- Wear protective goggles, rubber apron, rubber boots and rubber gloves.
- Remove watches, rings, or other metal objects.
- Use tools having insulated handles.



▲ WARNING Generator produces hazardous voltage. Failure to properly ground generator can result in electrocution.

Failure to isolate generator from power utility can result in death or injury to electric utility workers due to backfeed of electrical energy.

- When using generator for backup power, notify utility company.
- DO NOT touch bare wires or bare receptacles.
- DO NOT use generator with electrical cords which are worn, frayed, bare or otherwise damaged.
- DO NOT handle generator or electrical cords while standing in water, while barefoot, or while hands or feet are wet.
- If you must work around a unit while it is operating, stand on an insulated dry surface to reduce the risk of a shock hazard.
- DO NOT allow unqualified persons or children to operate or service generator.
- In case of an accident caused by electrical shock, immediately shut down the source of electrical power and contact the local authorities. **Avoid direct contact with the victim.**
- Despite the safe design of the residential generator, operating this equipment imprudently, neglecting its maintenance or being careless can cause possible injury or death.
- Remain alert at all times while working on this equipment. Never work on the equipment when you are physically or mentally fatigued.
- Before performing any maintenance on the generator, disconnect the battery cable indicated by a **NEGATIVE, NEG** or (-) first. When finished, reconnect that cable last.
- After your system is installed, the generator may crank and start without warning any time there is a power failure. To prevent possible injury, always set the generator's system switch to **OFF**, remove the service disconnect from the disconnect box AND remove the 15 Amp fuse BEFORE working on the equipment.



▲ WARNING Propane and Natural Gas are extremely flammable and explosive. Fire or explosion can cause severe burns or death.

- Install the fuel supply system according to NFPA 37 and other applicable fuel-gas codes.
- Before placing the generator into service, the fuel system lines must be properly purged and leak tested.
- After the generator is installed, you should inspect the fuel system periodically.
- NO leakage is permitted.
- DO NOT operate engine if smell of fuel is present or other explosive conditions exist.
- DO NOT smoke around the generator. Wipe up any oil spills immediately. Ensure that no combustible materials are left in the generator compartment. Keep the area near the generator clean and free of debris.



▲ WARNING Contact with muffler area can result in serious burns. Exhaust heat/gases can ignite combustibles or structures causing a fire.

- DO NOT touch hot parts and AVOID hot exhaust gases.
- Allow equipment to cool before touching.
- DO NOT install the generator closer than 5 feet (1.5m) from any combustibles or structures with combustible walls having a fire resistance rating of less than 1 hour.
- Keep at least minimum distances shown in *General Location Guidelines* to insure for proper generator cooling and maintenance clearances.
- It is a violation of California Public Resource Code, Section 4442, to use or operate the engine on any forest-covered, brush-covered, or grass-covered land unless the exhaust system is equipped with a spark arrester, as defined in Section 4442, maintained in effective working order. Other states or federal jurisdictions may have similar laws. Contact the original equipment manufacturer, retailer, or dealer to obtain a spark arrester designed for the exhaust system installed on this engine.
- Replacement parts must be the same and installed in the same position as the original parts.



▲ WARNING Hazardous Voltage - Contact with power lines can cause electric shock or burn.
Lifting Hazard / Heavy Object - Can cause muscle strain or back injury.

- If lifting or hoisting equipment is used, DO NOT contact any power lines.
- DO NOT lift or move generator without assistance.
- DO NOT lift unit by roof as damage to generator will occur.



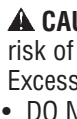
▲ WARNING Starter and other rotating parts can entangle hands, hair, clothing, or accessories.

- NEVER operate generator without protective housings, covers, or guards in place.
- DO NOT wear loose clothing, jewelry or anything that may be caught in the starter or other rotating parts.
- Tie up long hair and remove jewelry.
- Before servicing, remove 15 Amp fuse from control panel and disconnect **Negative (NEG or -)** battery cable.



▲ CAUTION Installing the 15A fuse could cause the engine to start.

- Observe that the 15 Amp fuse has been removed from the control panel for shipping.
- DO NOT install this fuse until all plumbing and wiring has been completed and inspected.



▲ CAUTION Excessively high operating speeds increase risk of injury and damage to generator. Excessively low speeds impose a heavy load on generator.

- DO NOT tamper with governed speed. Generator supplies correct rated frequency and voltage when running at governed speed.
- DO NOT modify generator in any way.

NOTICE Exceeding generators wattage/amperage capacity can damage generator and/or electrical devices connected to it.

- Start generator and let engine stabilize before connecting electrical loads.

NOTICE Improper treatment of generator can damage it and shorten its life.

- Use generator only for intended uses.
- If you have questions about intended use, contact your authorized dealer.
- Operate generator only on level surfaces.
- Adequate, unobstructed flow of cooling and ventilating air is critical to correct generator operation.
- The access panels/doors must be installed whenever the unit is running.
- DO NOT expose generator to excessive moisture, dust, dirt, or corrosive vapors.
- Remain alert at all times while working on this equipment. Never work on the equipment when you are physically or mentally fatigued.
- DO NOT start engine with air cleaner or air cleaner cover removed.
- DO NOT insert any objects through cooling slots.
- DO NOT use the generator or any of its parts as a step. Stepping on the unit can cause stress and break parts. This may result in dangerous operating conditions from leaking exhaust gases, fuel leakage, oil leakage, etc.
- If connected devices overheat, turn them off and disconnect them from generator.
- Shut off generator if:
 - electrical output is lost;
 - equipment sparks, smokes, or emits flames;
 - unit vibrates excessively.

Installation

Equipment Description

This product is intended for use as an optional residential generator system which provides an alternate source of electric power and to serve loads such as heating, refrigeration systems, and communication systems that, when stopped during any power outage, could cause discomfort or inconvenience. This product does not qualify for emergency standby as defined by NFPA 70 (NEC).

Every effort has been made to ensure that information in this manual is accurate and current. However, we reserve the right to change, alter, or otherwise improve the product and this document at any time without prior notice.

Only current licensed electrical and plumbing professionals should attempt home generator system installations. Installations must strictly comply with all applicable codes, industry standards and regulations.

Home Owner Responsibilities

- Read and follow the instructions given in the operator's manual.
- Follow a regular schedule in maintaining, caring for and using your home generator, as specified in the operator's manual.

If you have questions about intended use, ask your installer or dealer or call **(800) 743-4115** between 8:00 AM and 5:00 PM CT.

Installing Dealer/Contractor Responsibilities

- Read and observe the safety rules.
- Install only an UL approved transfer switch that is compatible with the generator.
- Read and follow the instructions given in this installation and start-up manual.

If operating the generator below 40° F (5° C), it is HIGHLY RECOMMENDED that a battery warmer be installed. This item is available at your local servicing dealer.

Unpacking Precautions

The unit is shipped bolted to its mounting pad, ready for installation. Avoid damage from dropping, bumping, collision, etc. Store and unpack carton with the proper side up, as noted on the shipping carton.

Delivery Inspection

After removing the carton, carefully inspect the home generator for any damage that may have occurred during shipment.

If loss or damage is noted at time of delivery, have the person(s) making delivery note all damage on the freight bill and affix his signature under the consignor's memo of loss or damage. If loss or damage is noted after delivery, separate the damaged materials and contact the carrier for claim procedures. Missing or damaged parts are not warranted.

Shipment Contents

The generator is supplied with:

- Pre-attached mounting pad
- Fully-serviced oil/lubricating system
- Flexible fuel hook-up hose
- Installation and start-up manual
- Operator's manual
- Engine operator's manual
- Installation checklist
- Access door keys
- Spare 15 Amp ATO-type fuse
- Two-pin control panel connector
- Ten-pin control panel connector
- Oil drain tray
- Touch up paint
- Fuel conversion kit
- Roof hardware
- Remote LED indicator kit (LED/plate/screws)

Not supplied:

- Starting battery (see page 16)
- Connecting wire and conduit
- Fuel supply valves/plumbing
- Crane, lifting straps, chains or cables
- Hole punches for 16ga steel
- Torque screwdriver, 5 to 50 inch-pound range
- Voltage/frequency meter

Generator Location

Before installing the generator, consult with the homeowner and convey the following guidelines, which may affect the desired installation location.

Install generator outdoors in an area which will not accumulate deadly exhaust gas. DO NOT install generator where exhaust gas could accumulate and enter inside or be drawn into a potentially occupied building. Ensure exhaust gas is kept away from windows, doors, ventilation intakes or other openings that can allow exhaust gas to collect in a confined area. Prevailing winds and air currents should be taken into consideration when positioning generator.

⚠ WARNING Running engine gives off carbon monoxide, an odorless, colorless, poison gas. Breathing carbon monoxide can cause headache, fatigue, dizziness, vomiting, confusion, seizures, nausea, fainting or death.

- Operate generator ONLY outdoors.
- Install a battery operated carbon monoxide alarm near the bedrooms.
- Keep exhaust gas from entering a confined area through windows, doors, ventilation intakes, or other openings.

⚠ WARNING Exhaust heat/gases can ignite combustibles or structures causing a fire.

- DO NOT install the generator closer than 5 feet (1.5m) from any combustibles or structures with combustible walls having a fire resistance rating of less than 1 hour.

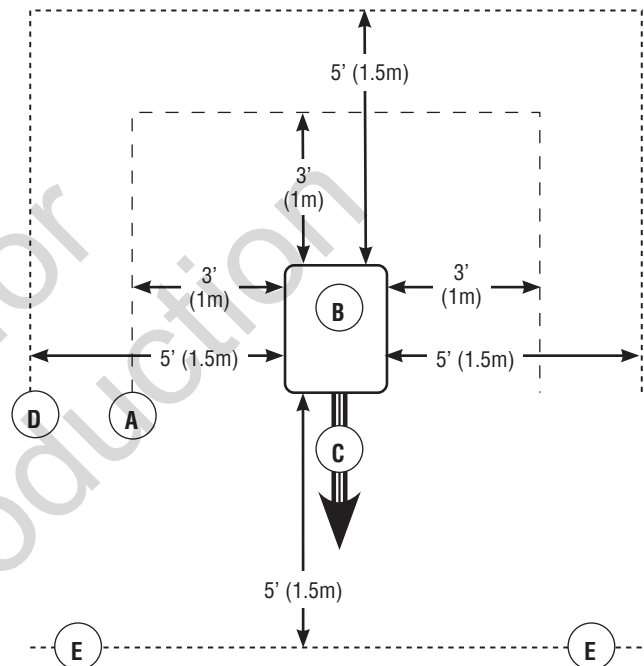
General Location Guidelines

- Install the unit outdoors ONLY.
- Place the unit in a prepared location that is flat and has provisions for water drainage.
- Install the unit in a location where sump pump discharge, rain gutter down spouts, roof run-off, landscape irrigation, or water sprinklers will not flood the unit or spray the enclosure and enter any air inlet or outlet openings.
- Install the unit where it will not affect or obstruct any services (including covered, concealed and underground), such as telephone, electric, fuel, irrigation, air conditioning, and so forth.
- Install the unit where air inlet and outlet openings will not become obstructed by leaves, grass, snow, etc. If prevailing winds will cause blowing or drifting, you may need to construct a windbreak to protect the unit.
- Install the generator as close as possible to the transfer switch and fuel supply to reduce the length of wiring, conduit, and piping.

Laws or local codes may regulate the distance to the fuel supply.

The minimum clearances from aerial view of generator (B) to combustible (D), and non-combustible (A) materials is shown below.

- These distances are provided to give generator location guidance relative ONLY to combustibles, generator cooling, and maintenance.
- The minimum distances in the figure are as shown. All four sides of the generator cannot be enclosed or restricted, even if the minimum distances are maintained. DO NOT connect (A) and/or (D) to (E)
- A roof cannot be used.
- Exhaust (C) must not be allowed to accumulate.



A Non-Combustible material with Fire Resistant Rating of 1 hour or greater

B Home Standby Generator

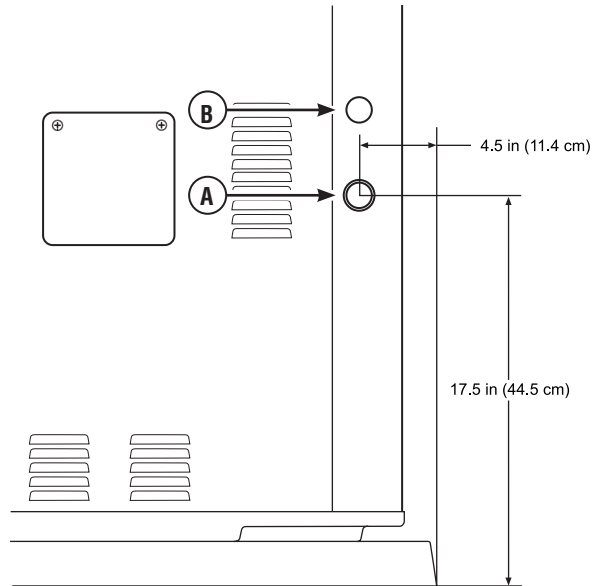
C Engine Exhaust

D Combustible Material or Structure with a Fire Resistance Rating of less than 1 hour.

E Any structure or material. DO NOT connect (A) and/or (D) to (E).

Electrical and Fuel Inlet Locations

The 3/4 inch N.P.T. fuel inlet connector (A) and electrical inlet location (B) is shown:



The home generator is shipped already attached to its mounting pad. Unless mandated by local code, a concrete slab is not required.

If mandated by local code, construct a concrete slab at least 3 inches thick and 6 inches longer and wider than the unit. Attach unit to slab with 1/4" diameter (minimum) masonry anchor bolts long enough to retain the unit.

Lifting the Generator

The generator weighs more than 350 pounds (159 kg). Proper tools, equipment and qualified personnel should be used in all phases of handling and moving the generator.

- WARNING** Hazardous Voltage - Contact with power lines can cause electric shock or burn.
Lifting Hazard / Heavy Object - Can cause muscle strain or back injury.
- If lifting or hoisting equipment is used, DO NOT contact any power lines.
 - DO NOT lift or move generator without assistance.
 - DO NOT lift unit by roof as damage to generator will occur.

Lifting pockets are provided at each corner between the base of the generator and its mounting pad. Retouch any chipped paint with supplied touch-up paint.

Not for
Reproduction

Access Ports

The generator is equipped with several access openings and a removable roof to permit simple oil and filter servicing.

To remove roof:

Remove the four screws and lift off. Replace roof in reverse order.

To remove access cover:

Remove the two screws, tilt cover out, and lift cover off panel. Replace cover in reverse order.

To remove side panel (if necessary):

1. Remove roof.
2. Remove screw(s) attaching side panel.

▲ WARNING Contact with muffler and engine parts can result in serious burns.



- DO NOT touch hot parts and AVOID hot exhaust gases.
- Allow equipment to cool before touching.

3. Pull panel outward (away) from unit while pulling panel upward and out of base.

To install side panel:

1. Guide bottom of side into base.
2. Push panel until it is flush with sides.
3. Replace panel screw(s).
4. Replace roof and screws.

Each generator is supplied with a set of identical keys. These keys fit the locks that secure the access door.

To open access door:

1. Insert key into lock of access door handle and turn key one quarter turn counterclockwise.
2. Grasp door's handle and turn one quarter turn counterclockwise to open. Remove key.

To close access door:

1. Close door and turn door's handle one quarter turn clockwise.
2. Insert key into lock of door handle and turn key one quarter turn clockwise. Remove key.

The Gaseous Fuel System

The information below is provided to assist gaseous fuel system technicians in planning installations. In no way should this information be interpreted to conflict with applicable fuel gas codes. Consult with your local fuel supplier or Fire Marshall if questions or problems arise.

▲ WARNING Propane and Natural Gas are extremely flammable and explosive. Fire or explosion can cause severe burns or death.



- LP gas is heavier than air and will settle in low areas.
- Natural gas is lighter than air and will collect in high areas.
- The slightest spark can ignite these fuels and cause an explosion.
- DO NOT light a cigarette or smoke.

TO THE INSTALLER: Consult with the generator owner(s) and convey any technical considerations that might affect their installation plans before applying these general guidelines.

The following general rules apply to gaseous fuel system piping:

- The piping should be of a material that conforms to federal and local codes, rigidly mounted and protected against vibration.
- Piping should be protected from physical damage where it passes through flower beds, shrub beds, and other cultivated areas where damage could occur.

▲ CAUTION The supplied flexible gaseous pipe is not to be installed underground or in contact with the ground.

- The entire flexible gaseous pipe must be visible for periodic inspection and must not be concealed within nor contact nor run through any wall, floor, or partition.

- Install the flexible, gaseous hose (supplied) between the generator fuel inlet port and rigid piping to prevent thermal expansion or contraction from causing excessive stress on the piping material.

Where local conditions include earthquake, tornado, unstable ground, or flood hazards, special consideration shall be given to increase strength and flexibility of piping supports and connections.

- Piping must be of the correct size to maintain the required supply pressures and volume flow under varying generator load conditions with all gas appliances connected to the fuel system turned on and operating.
- Use a pipe sealant or joint compound approved for use with NG/LPG on all threaded fittings to reduce the possibility of leakage.

▲ WARNING Propane and Natural Gas are extremely flammable and explosive. Fire or explosion can cause severe burns or death.

- Before placing the generator into service, the fuel system lines must be properly purged and leak tested.
- No leakage is permitted.

- Installed piping must be properly purged and leak tested, in accordance with applicable codes and standards.

Consider the following factors when planning to install the fuel supply system:

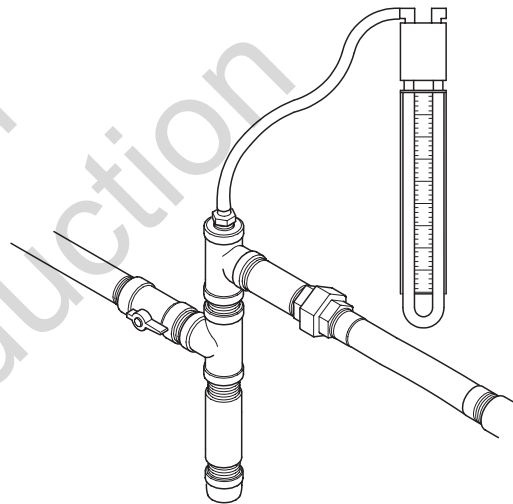
- Air density is less at high altitudes, resulting in less available engine power. Specifically, engine power will decrease 3.5% for each 1,000 feet (300 meters) above sea level and 1% for each 10° F (5.6°C) above 77°F (25°C). Make sure you and your installer consider these factors when determining total generator load.
- The generator engine is fitted with a fuel mixer system that meets the specifications of the California Air Resources Board for “tamper-proof” fuel systems.
- A minimum of one accessible, approved manual shutoff valve shall be installed in the fuel supply line within 6 ft (1.8 m) of the generator. A union or flanged connection shall be provided downstream from this valve to permit removal of controls.
- Natural gas fuel supply pressure at the generator’s fuel inlet port should be between 5 to 7 inches of water (in. W.C.) at full load with all gas appliances turned on and operating.
- LP gas fuel supply pressure should be 11 to 14 inches of water (in. W.C.) at full load with all gas appliances turned on and operating.

The generator has been factory set to run on natural gas. If you need to change from natural gas to LP gas, the unit will need to be reconfigured, as described in *Fuel Conversion*.

It is recommended that the fuel connection incorporate the following components:

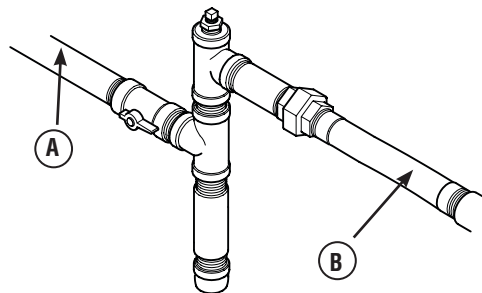
- A manual fuel shut-off valve located in the interior of the building.
- A manual fuel shut-off valve located outside the building, just before the generator unit.
- Where the formation of hydrates or ice is known to occur, piping should be protected against freezing. The termination of hard piping should include a sediment trap where condensate is not likely to freeze.
- A manometer port should be provided.

The manometer port permits temporary installation of a manometer to ensure that the engine receives the correct fuel pressure to operate efficiently throughout its operating range.



A digital manometer, P/N 19495, is available at your local Briggs & Stratton service center.

When the initial test runs are completed, the manometer is removed and the port is plugged. A typical final fuel connection assembly is shown here, where (A) is the fuel supply and (B) goes to the home generator.



Fuel Consumption

Estimated fuel supply requirements at half and full load for natural gas and LP vapor fuels are shown below.

Natural Gas		LP Vapor	
1/2 Load	Full Load	1/2 Load	Full Load
80 C	137 C	33 C	56 C
80,000 B	137,000 B	82,500 B	140,000 B
C = Cubic feet per hour B = BTU's per hour			

Fuel Pipe Sizing

The tables below provide the maximum capacity of pipe in cubic feet of gas per hour for gas pressures of 0.5 psi or less and a pressure drop of 0.3 in. water column. Specific gravity of gas is shown.

Listed values compensate for a nominal amount of restriction from bends, fittings, etc. If an unusual number of fittings, bends, or other restrictions are used, please refer to federal and local codes.

NPT	10ft	15ft	20ft	30ft	40ft	50ft	60ft	70ft	80ft	90ft	100ft
3/4"	346	293	240	192	163	145	132	120	113	106	99
1"	653	549	446	360	307	274	250	230	211	197	187

Natural Gas Pipe Size - Gas Flow chart, in cubic feet per hour, specific gravity=0.65

NPT	10ft	15ft	20ft	30ft	40ft	50ft	60ft	70ft	80ft	90ft	100ft
3/4"	277	192	158	126	107	95	87	79	74	69	65
1"	428	360	293	236	202	180	164	151	139	129	123

Liquid Propane (LP) Gas Pipe Size - Gas Flow chart, in cubic feet per hour, specific gravity=1.50

Required Propane Tank Size

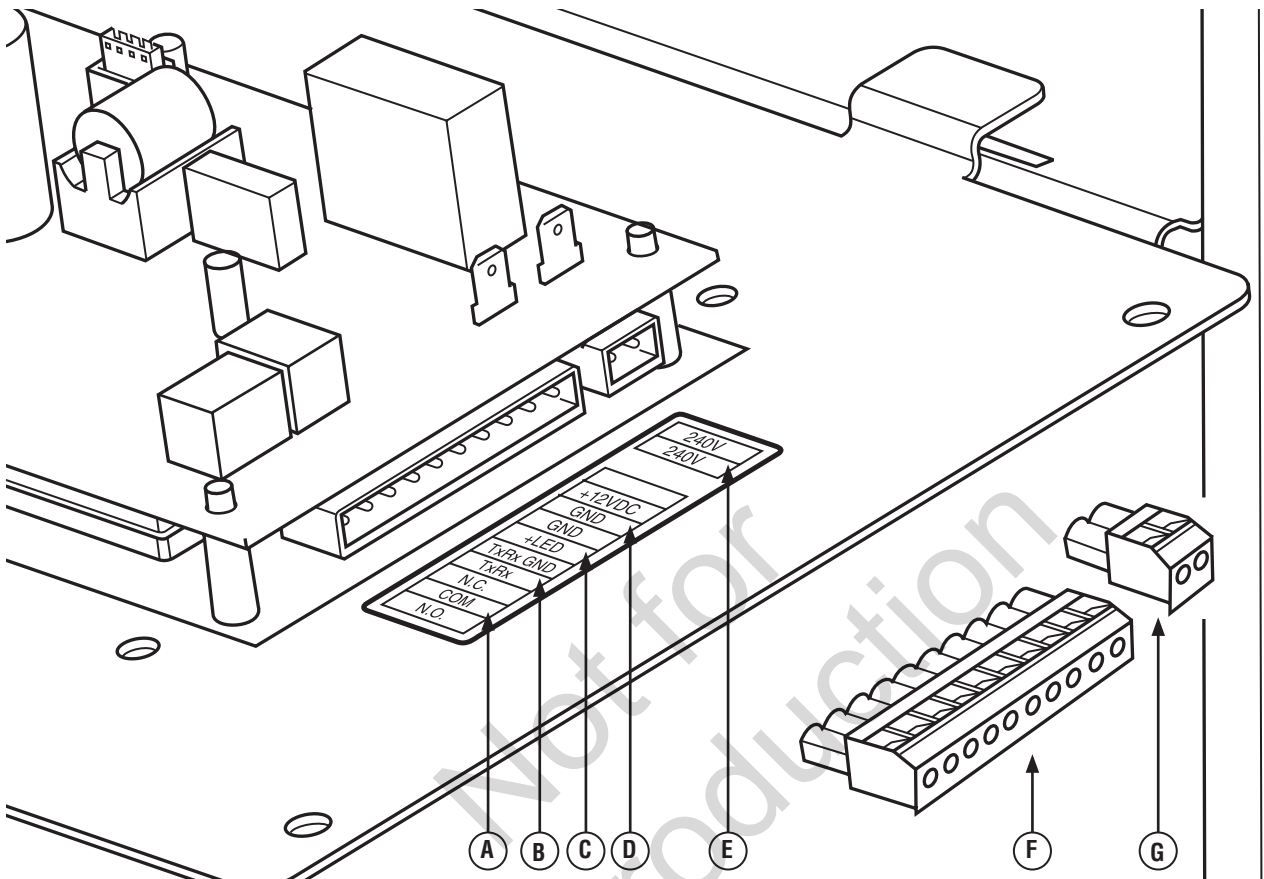
The required size of the propane tank at various temperatures when kept at least half full is shown below in the chart. Given the gas withdrawal rate and the lowest average winter temperature, an installer can specify the required LP storage tank size.

Withdrawal Rate	32° F	20° F	10° F	0° F	-10° F	-30° F	-40° F
50 CFH	115	115	115	250	250	400	600
100 CFH	250	250	250	400	500	1000	1500
150 CFH	300	400	500	500	1000	1500	2500
200 CFH	400	500	750	1000	1200	2000	2500
300 CFH	750	1000	1500	2000	2500	4000	5000

Physical Properties	LP Vapor	Natural Gas
Normal Atmospheric State	Gas	Gas
Boiling Point (in °F): Initial End	-44 -44	-259 -259
Heating Value: BTU per gallon (Net LHV*) BTU per gallon (gross**) Cubic feet (gas)	83,340 91,547 2,500	63,310 1,000
Density***	36.39	57.75
Weight†	4.24	2.65
Octane Number: Research Motor	110+ 97	110+
* LHV (Low Heat Value) is the more realistic rating. ** Gross heat value does not consider heat lost in the form of water during combustion. *** Density is given in "Cubic Feet of Gas per Gallon of Liquid". † Weight is given in "Pounds per Gallon of Liquid".		

System Connectors

Except for the power output and grounding connectors, all signal wire connections are made to removable two- or ten-pin connector plugs. Compare this illustration with your generator to familiarize yourself with the location of these important connections. Count down to the proper pin location on the control board since visual alignment with the decal can be misleading:



A - Fault Contacts — Use NO, COM and NC to hook up a siren, light, etc. to alert you in case of a fault. Contacts reverse state (NO goes to NC and vice versa) upon a fault condition.

B - Transfer Switch Communication — Connect to transfer switch control board for communication interface using 18AWG copper twisted pair wire.

C - Remote LED Output — Use this to hook up the remote LED supplied with the generator. The remote LED will turn on and off in a series of blinks if certain faults are detected in the generator.

D - +12 Volt DC, .5 Amp Output — Internal power supply.

E - 240 Volt Utility — Use to connect the 240V leads from the transfer switch to the generator.

F - Ten-pin Connector Plug

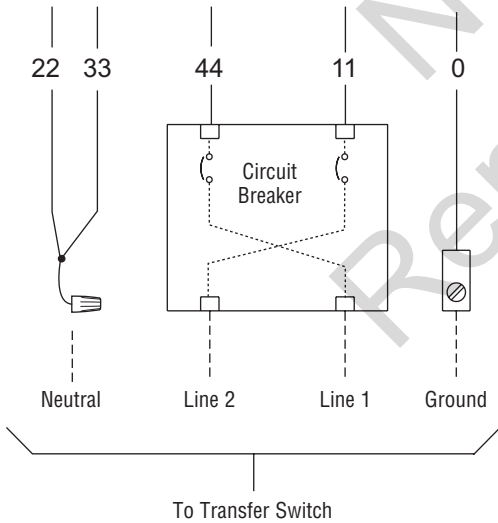
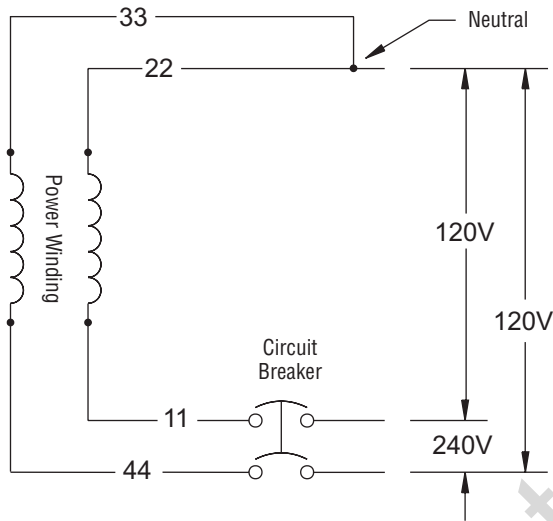
G - Two-pin Connector Plug

- For power output connection, use #10 AWG minimum 300 volt 75°C-90°C copper wire, (ref. NEC Table 310.16, 100 ft. Use National Electric Code for correction factors and wire size calculations.)
- For Utility Circuit connection use #14 AWG minimum 300 volt 75°C-90°C copper wire
- For transfer switch communication use #18 AWG twisted pair conductors, no greater than 200 ft in length, 300 volt 75°C-90°C copper wire
- When connecting to the connector plugs, fasten only one wire to each connector screw.
- Torque connector plug screws to 7 in-lb (7.9 Newton meter).

Generator AC Connection System

A single-phase, three-wire AC connection system is used in the home generator. The stator assembly consists of a pair of stationary windings with two leads brought out of each winding. The junction of leads 22 and 33 forms the neutral lead, as shown schematically and as wiring diagram. A complete schematic and wiring diagram can be found later in this manual.

Neutral is not bonded to ground at generator.



Grounding the Generator

Ground the home generator per applicable codes, standards, and regulations. The generator GND lug is located inside the control panel box.

Utility Circuit Connection

“240V Utility” leads must be routed in conduit. The “240V Utility” leads deliver power to the generator’s circuit board, optional battery warmer and optional oil warmer. This power also charges the battery. When power on these leads is lost, the generator will start.

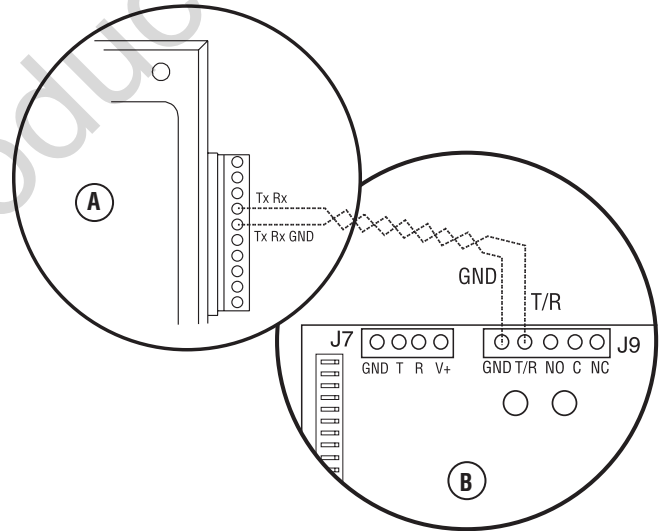
Using provided 2 pole connector plug and installer-supplied minimum 300V, 14 AWG copper wire, connect each control circuit terminal in the generator to the two-amp fuse terminals in the automatic transfer switch.

When making connections, obey wire type and torque specifications printed on the circuit breaker and neutral/ground connector.

Transfer Switch Communication

(Units with ACCM II or later transfer switch only)

Using #18 AWG twisted pair conductors, no greater than 200 ft in length, connect Tx Rx and Tx Rx GND from the generator control panel (A) to T/R and GND on the transfer switch control board (B).



Fault Detection System

The generator may have to run for long periods of time with no operator present. For that reason, the system is equipped with sensors that automatically shut down the generator in the event of potentially damaging conditions, such as low oil pressure, high temperature, over speed, and other conditions. Refer to *Fault Detection System* in the operator's manual for more detailed information.

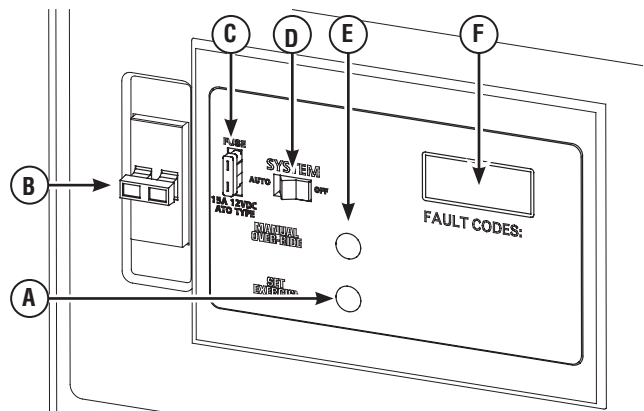
The owner will use the remote LED indicator to observe the status of the home generator system. The remote LED will turn on and off in a series of blinks if certain faults are detected in the generator system. Consult with the owner for a convenient location. Locate the electrical box in an area visible by the home owner such as near a garage door opener or security control panel.

To install the remote LED indicator:

1. Push the LED through the mounting plate from the front until it snaps in place. The LED is polarity sensitive.
2. Using provided 10 pole connector and installer-supplied minimum 18 AWG wire, connect the remote LED to the generator control board. Use wire nuts to attach wire to LED leads.
3. Attach mounting plate to installer-supplied electrical box.

System Control Panel

The home generator control panel, located inside the generator housing, is shown below.



Brief descriptions of the controls used during installation are:

A - Set Exercise — Used to set the exercise cycle.

B - Circuit Breaker — Must be **ON** to supply power to the transfer switch.

C - 15 Amp Fuse — Protects DC control circuits.

D - System Switch — Switches modes to **OFF** or **AUTO**.

E - MANUAL OVER-RIDE — Used to manually start and stop the generator.

F - Digital Display — Displays running time in hours or fault codes.

More information may be found in *Controls* in the operator's manual.

System Switch

This two-position switch is the most important control on the home generator and is used as follows:

- “**AUTO**” position is the normal operating position. If a utility power outage is sensed, the system will start the generator. When utility power is restored, lets the engine stabilize internal temperatures, shuts off the generator, and waits for the next utility power outage.
- “**OFF**” position turns off running generator, prevents unit from starting and resets any detected faults.

15 Amp Fuse

Protects the home generator DC control circuits. If the fuse has ‘blown’ (melted open) or was removed, the engine cannot crank or start. Replace the fuse using only an identical ATO 15A fuse. One spare fuse is supplied with the unit. If fuse was blown or removed, you will need to reset the exercise timer (see *Setting Exercise Timer*).

Final Installation Considerations

Engine Oil

NOTICE Any attempt to crank or start the engine before it has been properly serviced with the recommended oil will result in equipment failure.

- Refer to *Maintenance* in the operator's manual and engine manual for oil fill information.
- Damage to equipment resulting from failure to follow this instruction will void engine and generator warranty.

This engine is shipped from the factory pre-run and filled with synthetic oil (SAE 5W-30). This allows for system operation in the widest range of temperature and climate conditions. Before starting the engine, check oil level and ensure that engine is serviced as described in the engine operator's manual.

The use of synthetic oil does not alter the required oil change intervals described in the engine operator's manual.

Battery

The installer must supply and install a valve-regulated rechargeable 12 volt starting battery. The starting battery **MUST** conform to the specifications shown in this chart.

Battery Specifications	
Volts	12 Volt DC
Amps (MIN)	350 CCA (cold cranking amps)
Type	AGM
Terminal Hardware	M8
Dimensions (MAX):	
Width	5.325 inches (135mm)
Length	7.875 inches (200mm)
Height	6.875 inches (175mm)

Install the battery as described in *Servicing the Battery* in the *Maintenance* section of the operator's manual. Always make sure the **NEGATIVE** cable is connected last and that the red **POSITIVE** terminal insulator is fully in place.

▲ WARNING Battery posts, terminals and related accessories contain lead and lead compounds, chemicals known to the State of California to cause cancer and reproductive harm. Wash hands after handling.

Fuel Supply System

Ensure that all fuel pipe connections are tight, secure and without leaks.

Ensure that all gas line shutoff valves are **OPEN** and that adequate fuel pressure is available whenever automatic operation is desired.

Initial Start-up (No Load)

Before operating the home generator or placing it into service, inspect the entire installation carefully. Then begin testing the system without any electrical loads connected, as follows:

Unit has been set-up for NG operation at the factory. Fuel conversion, if needed, must be completed prior to performing these steps. See *Fuel Conversion* later in this section.

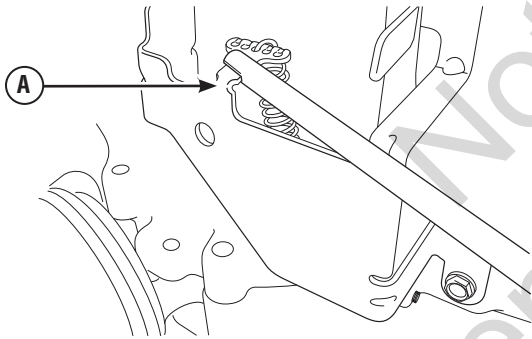
1. Remove four screws that secure control panel to enclosure to expose unit's circuit breaker.
2. Connect an accurate frequency meter to line side of generator's main circuit breaker.
3. Set generator's main circuit breaker to **ON** (closed) position.
4. Install 15 Amp fuse in control panel.
5. Set generator's system switch to **AUTO**.
6. Push and hold **MANUAL OVER-RIDE** button on control panel for about six seconds. Engine will start.
When the generator is started for the very first time, it will require that air in the gaseous fuel lines be purged. This may take a few minutes.
7. Listen for unusual noises, vibration or other indications of abnormal operation. Check for oil leaks while engine runs.
8. Let engine warm up for about five minutes to allow internal temperatures to stabilize.
9. Check generator output at load side of circuit breaker. Voltage should be between 239 - 262 Volts, frequency should be between 62.0 - 62.5 Hz.
If either parameter is outside these ranges, perform *Engine Adjustment* described later in this section.
10. Check generator output between one generator connection lug and neutral lug, then between other generator connection lug and neutral lug. In both cases, voltage reading should be between 119 - 131 Volts.
DO NOT proceed until you are certain that generator AC voltage and frequency are correct and within the stated limits. To obtain the proper generator frequency, see *Engine Adjustment*.
11. Push and hold **MANUAL OVER-RIDE** button on control panel again until engine stops.
12. Reinstall control panel into enclosure.

Engine Adjustment

There are regional variances in the composition of natural gas. Each home generator unit leaves the factory set for NG operation. If the generator output voltage or frequency measured during *Initial Start-Up* is outside the listed ranges, the combustibility of the gas supplied at the installation site may be substantially different from the fuel used at the factory.

To adjust the engine for this difference, proceed as follows.

1. Remove four screws that secure control panel to enclosure to expose unit's circuit breaker.
2. Connect an accurate frequency meter to line side of generator's main circuit breaker.
3. Ensure that the 15 Amp fuse is installed.
4. Set the generator's main circuit breaker **ON**.
5. Set the generator's system switch to **AUTO**.
6. Push **MANUAL OVER-RIDE** on control panel. When the engine starts, allow it to warm up for five minutes.
7. Normal no load frequency is 62.0 to 62.5 Hz. If adjustment is needed at no load, remove unit side panels. Using needle nose pliers or B&S tang bending tool #19229 or 19480, bend spring anchor tang (**A**) slowly up or down until frequency is 62.0 to 62.5 Hz.



8. Turn service disconnect to transfer switch **OFF**. After a short time delay, transfer switch will connect to generator.
9. Load generator to full load.
10. After load stabilizes, frequency should be above 57.0 Hz.
11. If frequency is below 57.0 Hz, slowly adjust anchor tang until frequency is above 57.0 Hz.

12. Turn service disconnect to transfer switch **ON**. Transfer switch will connect to utility power after five minutes.
13. Push and hold **MANUAL OVER-RIDE** button on control panel until engine stops.
14. After the engine has stopped:
 - If an adjustment was made in step 11, repeat steps 2 through 7. Then reinstall side panels.
 - If an adjustment was not made in step 11, proceed to step 15.

If no load frequency falls out of the no load range shown in step 7 after full load adjustment is made, contact an authorized service center.

15. Reinstall control panel into enclosure, then reinstall side panels.

Test Shutdown(s) Procedure

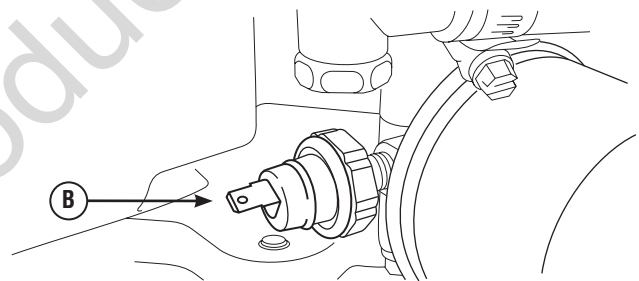
The installer will test the system to verify that diagnostic messages are correctly shown on the system control panel digital display, as follows:

FC_1 - Low Battery

No test procedure required for this fault.

FC_2 - Low Oil Pressure:

Locate wire #85 connected to the oil pressure switch (**B**):



Connect an installer-supplied jumper wire to wire #85. With the system switch in **AUTO** position, push **MANUAL OVER-RIDE** to start the generator. With the generator running, connect other end of jumper to a good ground location such as the engine block. The generator will shut down and FC_2 will be displayed on the system control panel. Remove the jumper wire. Turn the system switch to **OFF** for 30 seconds to clear the fault.

FC_3 - Low Voltage

With the system switch in **AUTO** position, push **MANUAL OVER-RIDE** to start the generator. With the generator running at no load, turn the generator circuit breaker to **OFF**. The generator should shut down and FC_3 will be displayed on the system control panel. Turn the system switch to **OFF** for 30 seconds to clear the fault. Turn the circuit breaker to **ON** position.

FC_4 - Engine Fails to Start

With the generator not running, turn the installer supplied manual fuel valve to the **OFF** position. With the system switch in **AUTO**, turn off utility power. The engine will crank, attempting to start. After approximately a two-minute start attempt (10 seconds of crank, 10 seconds of rest) the generator should terminate the start attempt and FC_4 will be displayed on the system control panel. Turn the system switch to **OFF** for 30 seconds to clear the fault. Turn the installer supplied fuel valve to the **ON** position.

FC_5 - Low Frequency

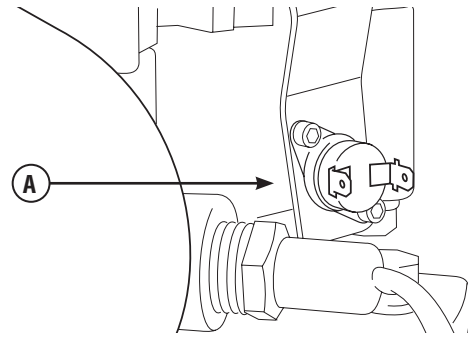
With the system switch in **AUTO** position, push and hold **MANUAL OVER-RIDE** to start the generator. Locate the governor lever and SLOWLY lower engine speed. Do NOT change engine speed using the governor adjustment. When the generator reaches a speed slower than 55 Hz for three seconds the generator will shut down and FC_5 will be displayed on the system control panel. Turn the system switch to **OFF** for 30 seconds to clear the fault.

FC_6 - Engine Overspeed

With the system switch in **AUTO** position, push and hold **MANUAL OVER-RIDE** to start the generator. Locate the governor lever and SLOWLY raise engine speed. Do NOT change engine speed using the governor adjustment. When the generator output frequency is 65-70 Hz after three seconds the generator will shut down and FC_6 will be displayed on the system control panel. If the generator output frequency is greater than 70 Hz the generator will shut down immediately. Turn the system switch to **OFF** for 30 seconds to clear the fault.

FC_7 - High Temperature

Locate wire #95 connected to the temperature switch (A):



Connect an installer-supplied jumper wire to wire #95. With the system switch in **AUTO** position, push and hold **MANUAL OVER-RIDE** to start the generator. With the generator running, connect other end of jumper to a good ground location such as the engine block. The generator should shut down and display FC_7 on the system control panel. Remove the jumper wire. Turn the system switch to **OFF** for 30 seconds to clear the fault.

FC_8 - Transfer Switch Fault

(Units with ACCM II or later transfer switch only)

Verify that utility power is present at the automatic transfer switch. With the system switch in **AUTO** position, remove one of the 2 Amp fuses from the transfer switch. FC_8 will display on the system control panel. Carefully reinstall the fuse in the transfer switch, then turn the system switch to **OFF** for 30 seconds to clear the fault.

Analyze Test Results

If any test procedure above does not cause the generator to shut down and display the indicated fault, repair the fault condition before putting the unit into service.

Fuel Conversion

The engine of your home generator system is factory calibrated to run on natural gas (NG). It may also be operated on liquefied petroleum (LP) vapor. The LP Conversion kit (supplied) is required to convert the unit to LP vapor fuel. LP fuel inlet pressure must be between 11 and 14 inches water column at full load with all gas appliances turned on and operating.

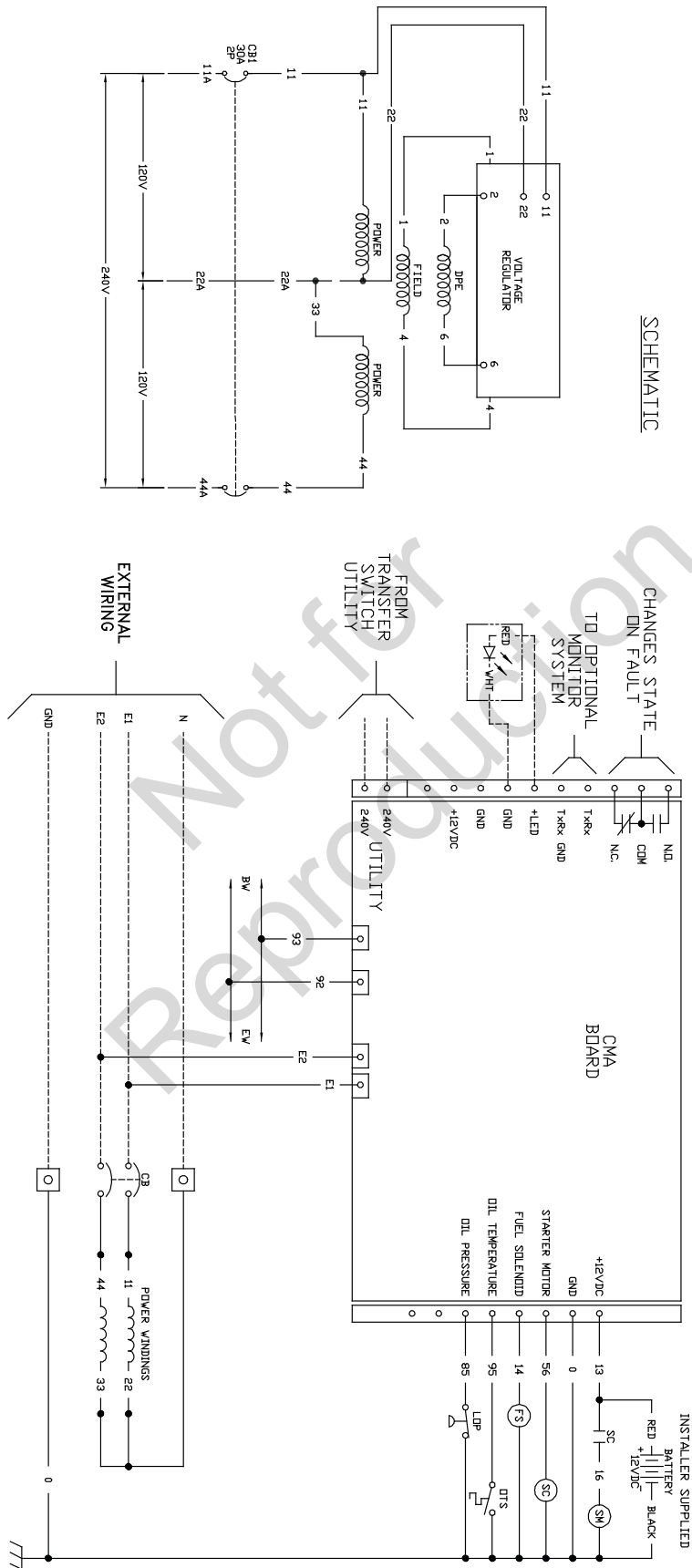
To configure the fuel system for LP use:

1. Set generator's system switch to **OFF**.
2. Remove 15 Amp fuse from control panel.
3. Remove roof and side panels.
4. Change main jet in fuel mixer following instructions provided in LP Conversion Kit.
5. Replace side panels and roof.
6. Reinstall 15 Amp fuse in control panel.
7. Set generator's system switch to **AUTO**.

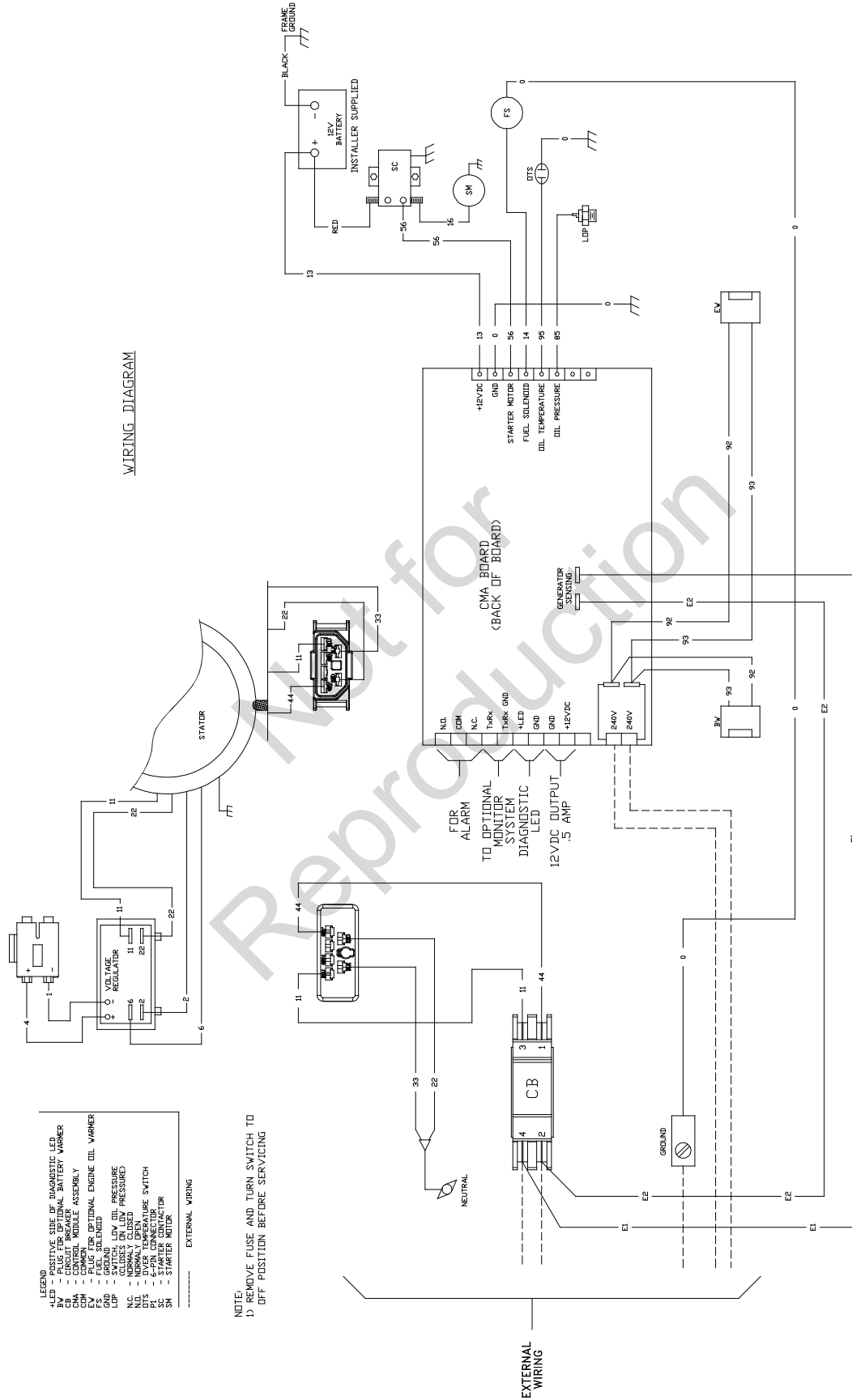
The system is now ready to operate automatically using LP vapor fuel.

Not for
Reproduction

Schematic Diagram



Wiring Diagram



Controls

See the operator's manual for complete descriptions of the generator controls.

Operation

Automatic Operation Sequence

The generator's control panel houses a logic control circuit board. This control board constantly monitors utility power source voltage. Should that voltage drop below a preset level, control board action will signal the engine to crank and start.

When utility source voltage is restored above a preset voltage level, the engine is signaled to shut down.

The actual system operation is not adjustable and is sequenced by sensors and timers on the control board, as follows:

Utility Voltage Dropout Sensor

- This sensor monitors utility source voltage.
- If utility source voltage drops below about 70 percent of the nominal supply voltage, the sensor energizes a 10 second timer. The timer is used to 'sense' brown-outs.
- Once the timer has expired, the engine will crank and start.

Utility Voltage Pickup Sensor

This sensor monitors utility power supply voltage. When that voltage is restored above 80 percent of the nominal source voltage, a time delay starts timing and the engine will go to engine cool-down.

Engine Cool-down Timer

- When the load is transferred back to the utility power source, the engine cool-down timer starts timing.
- The timer will run for about one minute, then the generator will stop.
- Minimum engine run time is 5 minutes.

Setting Exercise Timer

The home generator is equipped with an exercise timer that will start and exercise the system once every seven days. During this exercise period, the unit runs for approximately 20 minutes and then shuts down. Electrical load transfer DOES NOT occur during the exercise cycle (unless an utility power outage occurs during the cycle).

A button on the control panel is labeled "SET EXERCISE" (see *System Control Panel*). The specific day and the specific time of day this button is pressed is programmed into the control board memory. This date and time is then used to automatically initiate the system exercise cycle. The "SET EXERCISE" legend on the control panel will flash until the set exercise cycle is set.

To perform the Set Exercise procedure:

1. Choose the day and time you want your home generator to exercise.
2. On that day and time, press and hold "SET EXERCISE" for three seconds.
"SET EXERCISE" will flash until the button is pressed for three seconds, then "SET EXERCISE" will illuminate for 5 seconds, and finally turn off.
3. The unit will then start and run it's 20 minute exercise cycle.

For example, if you press SET EXERCISE on Sunday morning at 10:00 AM, the unit will run an immediate exercise cycle and an exercise cycle every following Sunday at 10:00 AM (+/- 1/2 hour).

"Set Exercise" will only work if the unit is in the **AUTO** mode and this exact procedure is followed. The exerciser will need to be re-set if the 15 Amp fuse is removed or changed, or if the starting battery is disconnected.

If you want to change the day and time the unit exercises, simply perform the "Set Exercise" procedure at the exact weekday and time you want it to take place.

Installation Inspection

Before placing the generator system into service, inspect the entire installation carefully.

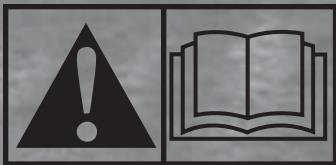
Complete the "Installation Checklist" as you make the inspection. Ensure all items have been filled-in and all signatures have been obtained. Instruct the owner to mail the white copy to the address shown on the checklist.

This completes the installation and start-up instructions. The operator's manual provides full details on Operation, Maintenance and Troubleshooting for this generator system.



Home Generator Systems

Manual de instalación y arranque



**7000 vatios
de automático**

Gracias por adquirir este generador doméstico de reserva Briggs & Stratton de gran calidad. Nos alegra que haya depositado su confianza en la marca Briggs & Stratton. Si se utiliza y mantiene conforme a las instrucciones de manual del operario, el generador le ofrecerá muchos años de servicio fiable.

Este manual contiene información de seguridad para que usted conozca los peligros y riesgos propios de los sistemas generadores domésticos y cómo evitarlos. Este sistema generador doméstico está diseñado y pensado para utilizarlo únicamente como un sistema de reserva doméstico opcional que proporciona una fuente alternativa de energía eléctrica con capacidad para alimentar cargas tales como sistemas de calefacción y refrigeración y sistemas de comunicaciones, que cuando dejan de funcionar a causa de una interrupción de la alimentación eléctrica de la red pueden producir incomodidades o problemas. **Guarde estas instrucciones para futuras consultas.**

Este generador de reserva doméstico debe ser instalado por un profesional antes de ser utilizado. El instalador debe seguir las instrucciones por completo.

Información de contacto

No tiene que buscar mucho para obtener ayuda y servicio de mantenimiento para su generador. Consulte las Páginas Amarillas. Existen muchos distribuidores de servicio autorizados de Briggs & Stratton que brindan servicio de calidad. También puede comunicarse por teléfono al número (800) 743-4115 entre 08:00 a. m. y 5:00 p. m., hora del centro de los EE. UU., o haga clic en Buscar un distribuidor en BRIGGSandSTRATTON.COM para que aparezca una lista de distribuidores autorizados.

Para futura referencia

Complete la siguiente información y guárdela junto con su recibo para que pueda identificar la unidad en caso de que se le presenten problemas futuros relacionados con la compra.

Fecha de compra

Generador

Número de Modelo
Revisión
Número de Serie

Motor

Número de Modelo
Número de Serie

Briggs & Stratton Power Products Group, LLC.
P.O. Box 702
Milwaukee, WI 53201-0702

Copyright © 2010. Reservados todos los derechos. Queda prohibida la reproducción o transmisión total o parcial de este material, sin el permiso previo y por escrito de Briggs & Stratton Power Products Group, LLC.

Tabla de contenido

Instrucciones importantes de seguridad	4
Instalación	7
Responsabilidades del distribuidor/técnico instalador	7
Inspección al momento de la entrega	7
Contenido de la caja	7
Sistema de combustible gaseoso	10
Consumo de combustible	12
Dimensiones de la cañería de combustible	12
Conexiones de sistema	13
Conexión a tierra del generador	14
Sistema de detección de fallas	15
Panel de control del sistema	15
Consideraciones finales para la instalación	16
Ajuste del motor	17
Procedimiento de apagado de prueba	17
Conversión de combustible	19
Controles	19
Utilización	19
Secuencia de operación automática	19
Configuración del temporizador de práctica	20
Inspección posterior a la instalación	20

Not for
Reproduction

Conserve estas instrucciones

Instrucciones importantes de seguridad

GUARDE ESTAS INSTRUCCIONES - Este manual contiene instrucciones importantes que se deben seguir durante la instalación y el mantenimiento del generador y de las baterías.

Símbolos sobre la seguridad y significados



Explosión



Fuego



Descarga eléctrica



Gases tóxicos



Partes en movimiento



Superficie caliente



Arranque automático



Presión explosiva



Quemaduras química



Peligro al elevar



Lea el manual

▲ El símbolo de alerta de seguridad indica un posible riesgo para su integridad física. Se utiliza una palabra de señalización (PELIGRO, ADVERTENCIA o ATENCIÓN) junto con el símbolo de alerta para designar un grado o nivel de gravedad de riesgo. Se puede utilizar un símbolo de seguridad para representar el tipo de riesgo. La palabra de señalización *AVISO* se utiliza para hacer referencia a una práctica no relacionada con una lesión física.

▲ **PELIGRO** indica un riesgo que, de no evitarse, *provocará* la muerte o lesiones de gravedad.

▲ **ADVERTENCIA** indica un riesgo que, de no evitarse, *podría provocar* la muerte o lesiones de gravedad.

▲ **ATENCIÓN** indica un riesgo que, de no evitarse, *podría provocar* lesiones leves o moderadas.

AVISO hace referencia a una práctica no relacionada con una lesión física.

El fabricante no puede prever todas las posibles circunstancias que pueden implicar riesgos. Por lo tanto, las advertencias que aparecen en este manual y las etiquetas y calcomanías adheridas a la unidad no incluyen todas las posibilidades. Si aplica un procedimiento, método de trabajo o técnica de operación no recomendada específicamente por el fabricante, debe estar seguro de que se trata de una práctica segura para usted y para otras personas. También debe asegurarse de que el procedimiento, método de trabajo o técnica de operación que elija, no haga que el generador se torne inseguro.

▲ **ADVERTENCIA** Al motor funcionar, se produce monóxido de carbono, un gas inodoro y venenoso. Respirar monóxido de carbono puede provocar dolor de cabeza, fatiga, mareos, vómitos, confusión, ataques, náuseas, desmayos o incluso la muerte.

- Opere el generador **SOLAMENTE** al aire libre.
- Instale una alarma de monóxido de carbono con batería cerca de los dormitorios.
- Asegúrese de que los gases de escape no puedan entrar por ventanas, puertas, tomas de aire de ventilación u otras aberturas en un espacio cerrado en el que puedan acumularse.

▲ **ADVERTENCIA** El escape del motor de este producto contiene elementos químicos reconocidos en el Estado de California por producir cáncer, defectos de nacimiento u otros daños de tipo reproductivo.

▲ **ADVERTENCIA** Determinados componentes en este producto y los accesorios relacionados contienen sustancias químicas declaradas cancerígenas, causantes de malformaciones, y otros defectos congénitos por el Estado de California. Lávese las manos después de manipular estos elementos.

⚠ ADVERTENCIA Las baterías almacenadas producen hidrógeno explosivo mientras estén siendo recargadas. Una pequeña chispa puede encender el hidrógeno y causar una explosión.



El fluido de electrolito de la batería contiene ácido y es extremadamente cáustico. El contacto con el fluido de la batería puede causar quemaduras químicas severas. Las baterías presentan un riesgo de descarga eléctrica y de elevada corriente de cortocircuito.

- NO deseche la batería tirándola al fuego. Recicle la batería.
- No permita ninguna llama abierta, chispa, calor, o encienda un cigarrillo durante y por varios minutos después de haber recargado la batería.
- NO abra ni manipule la batería.
- Utilice gafas de protección, y delantal, botas y guantes de goma.
- No lleve relojes, anillos ni otros objetos metálicos.
- Utilice herramientas con mangos aislados.

⚠ ADVERTENCIA El Gas Natural y el Propano son extremadamente inflamables y explosivos. El fuego o una explosión pueden causar quemaduras severas e inclusive la muerte.



- Instale el sistema de suministro de combustible de acuerdo con NFPA 37 o los códigos de gas combustible que correspondan.
- Antes de poner en servicio el sistema de generador de doméstico, se deben purgar las líneas del sistema de combustible y se debe probar si presentan pérdidas.
- Una vez instalado el sistema, se lo debe inspeccionar en forma periódica.
- NO se debe permitir que se produzca ninguna pérdida.
- NO haga funcionar el motor si se percibe olor a combustible o si existe alguna otra fuente de ignición.
- NO fume cerca del generador. Limpie en forma inmediata cualquier derrame de aceite. Asegúrese de no dejar materiales combustibles en el compartimiento del generador. Mantenga el área próxima al generador limpia y libre de desperdicios.

⚠ ATENCIÓN Las velocidades de operación en exceso, aumentan los riesgos de heridas y daños al generador. Las velocidades excesivamente bajas incrementan la carga de trabajo del generador.

- NO cambie ninguna velocidad determinada. El generador suministra una frecuencia y un voltaje calificado cuando funciona a una velocidad determinada.
- NO modifique al generador en ninguna forma.

⚠ ADVERTENCIA Los generadores producen un voltaje muy poderoso. Si no hace tierra apropiadamente con un generador, puede hacer que ocurra un electrocutamiento.



Si no aísla el generador de utilidades de energía, puede hacer que los trabajadores de electricidad sufran heridas graves e inclusive la muerte, debido a la retroalimentación de la energía eléctrica.

- Cuando use un generador como poder de energía auxiliar, notifique a la compañía de utilidades.
- NO toque los cables pelados ni las tomas expuestas.
- NO use un generador con cables eléctricos que estén malgastados, rotos, pelados o dañados de cualquier forma.
- NO maneje el generador o cables eléctricos mientras esté parado en agua, descalzo o cuando las manos y los pies estén mojados.
- Si tiene que trabajar junto a una unidad en funcionamiento, manténgase en una superficie aislada y seca para reducir el riesgo de descarga eléctrica.
- NO permita que personas descalzadas o niños operen o sirvan al generador.
- En caso de que se produzca un accidente causado por una descarga eléctrica, cierre inmediatamente la fuente de energía eléctrica y contacta administración local. **Evite el contacto directo con la víctima.**
- A pesar del diseño seguro del sistema de generador de doméstico, si se opera este equipo en forma imprudente, si no se cumple con el mantenimiento o si se actúa con descuido, se pueden producir lesiones o la muerte.
- Permanezca siempre alerta cuando trabaje con este equipo. Nunca trabaje con este equipo si se siente cansado física o mentalmente.
- Antes de realizar cualquier tarea de mantenimiento en el generador, desconecte primero el cable de la batería marcado como **NEGATIVE, NEG** o (-). Cuando haya terminado, vuelva a conectar el cable en último lugar.
- Después de instalar el sistema generador, puede arrancarse y comenzar a funcionar sin previo aviso cada vez que se presente una falla eléctrica. Para evitar posibles lesiones, siempre fije el conmutador del sistema en **OFF**, Y retire el fusible de 15 Amperios ANTES de realizar trabajos en el equipo.

⚠ ATENCIÓN Instala el fusible se puede producir el arranque del motor.



- Tenga en cuenta que el fusible de 15 Amperios ha sido retirado del panel de control para realizar el envío.
- NO instale este fusible hasta que no se hayan completado e inspeccionado todas las conexiones de cables y tuberías.

⚠ ADVERTENCIA Tensión peligrosa - El contacto con los cables eléctricos puede provocar electrocución y quemaduras. Peligro al elevar el equipo/objeto pesado - Puede provocar daños en los músculos y en la espalda.



- Si utiliza equipos de elevación o izado, EVITE el contacto con los cables eléctricos.
- NO eleve ni mueva el generador sin ayuda.
- NO levante la unidad por la parte superior; podría provocar daños en el generador.

⚠ ADVERTENCIA El contacto con la zona del silenciador puede producir quemaduras graves. Los gases y el calor de escape pueden inflamar los materiales combustibles y las estructuras y provocar un incendio.



- NO toque las superficies calientes y evite los gases del escape a alta temperatura.
- Permita que el equipo se enfríe antes de tocarlo.
- NO instale el generador a menos de 1,5 metros (5 pies) de todo material combustible o estructura con muros combustibles cuya resistencia al fuego sea inferior a una hora.
- Mantenga por lo menos las distancias mínimas que se muestran en las *Pautas generales de colocación* para garantizar la refrigeración del generador y el espacio libre para mantenimiento adecuados.
- Utilizar el motor en un terreno boscoso, con maleza o cubierto de hierba constituye una infracción al Código de recursos públicos de California, a menos que el sistema de escape esté equipado con una pantalla apagachispas, de acuerdo a la definición de la Sección 4442, que se mantenga en buenas condiciones de funcionamiento. En otros estados o jurisdicciones federales puede haber leyes similares en vigor. Póngase en contacto con el fabricante, el vendedor o el distribuidor del equipo original para obtener una pantalla apagachispas diseñada para el sistema de escape instalado en este motor.
- Las piezas de recambio deben ser las mismas que las piezas originales y estar instaladas en la misma posición.

AVISO El sobrepasar la capacidad del amperaje y vataje del generador, puede dañar al generador y los aparatos eléctricos conectados al mismo

- Encienda su generador y deje que el motor se estabilice antes de conectar las cargas eléctricas.

⚠ ADVERTENCIA El arrancador y otras piezas que rotan pueden enredar las manos, el pelo, la ropa, o los accesorios.



- NUNCA utilice el generador sin las carcasas, tapas o guardas de protección en su lugar.
- NO use ropa suelta, joyas o elementos que puedan quedar atrapados en el arranque o en otras partes rotatorias.
- Ate para arriba el pelo largo y quite la joyería.
- Antes de trabajar en el equipo, quite el fusible de 15 A del panel de control y desconecte el cable **Negativo** de la batería (**NEG** o **-**).

AVISO El tratamiento inadecuado del generador puede dañarlo y acortar su vida productiva.

- Use el generador solamente con la finalidad para el cual fue diseñado.
- Si usted tiene alguna pregunta acerca de las finalidades de uso del generador, pregúntele a su concesionario o contacte distribuidor autorizado.
- Opere el generador solamente en superficies niveladas.
- Para la correcta operación del generador es fundamental contar con ventilación y una circulación de aire de refrigeración adecuada y que no sufra obstrucciones.
- La puerta de servicio deben estar instaladas siempre que la unidad esté en funcionamiento.
- No exponga al generador a una humedad excesiva, polvo, suciedad o vapores corrosivos.
- Permanezca siempre alerta cuando trabaje con este equipo. NUNCA trabaje con este equipo si se siente cansado física o mentalmente.
- NUNCA encienda el motor si el filtro de aire o su cubierta han sido retirados.
- NO inserte cualquier objeto a través de las ranuras de enfriamiento.
- NUNCA utilice el generador ni ninguna de sus piezas como escalera. Si se sube sobre la unidad, sus piezas se pueden ver sobreexigidas y pueden romperse. Esto puede dar como resultado condiciones de operación peligrosas como consecuencias de la fuga de gases del escape, pérdida de combustible, pérdida de aceite, etc.
- Si los aparatos conectados se sobrecalientan, apáguelos y desconéctelos del generador.
- Apague el generador si:
 - Se pierde la salida eléctrica;
 - El equipo produce chispas, humo o emite llamas;
 - La unidad vibra de una manera excesiva.

Instalación

Descripción del equipo

Este producto está pensado para utilizarlo como un sistema de reserva doméstico opcional que proporciona una fuente alternativa de energía eléctrica con capacidad para alimentar cargas tales como sistemas de calefacción y refrigeración y sistemas de comunicaciones, que cuando dejan de funcionar a causa de una interrupción de la alimentación eléctrica de la red pueden producir incomodidades o problemas. Este producto no pertenece a la categoría de reserva de emergencia según lo definido por la norma NFPA 70 (NEC).

Se ha hecho cada esfuerzo posible para asegurarse que la información que aparece en este manual es exacta y se encuentra actualizada. Sin embargo, nosotros se reserva el derecho a cambiar, alterar o de otra manera mejorar, el producto y este documento en cualquier momento, sin previo aviso.

La instalación de los sistemas de generadores domésticos (HGS) debe estar a cargo de contratistas especializados en electricidad y plomería, sin excepciones. Las instalaciones deben cumplir estrictamente con todos los códigos, regulaciones y normas industriales aplicables.

Responsabilidades del propietario

- Lea y cumpla las instrucciones incluidas en el Manual del operario.
- Siga un programa regular para mantener, cuidar y utilizar el sistema de generador de doméstico, según se especifica en el Manual del operario.

En caso de dudas sobre el uso de la unidad, consulte al instalador o al distribuidor o comuníquese al **(800) 743-4115** entre 08:00 a. m. y 5:00 p. m., hora del centro de los EE. UU.

Responsabilidades del distribuidor/técnico instalador

- Lea y observe las reglas de seguridad que se encuentran en el manual del operario.
- Instale únicamente un conector aprobado por UL que sea compatible con el generador doméstico.
- Lea y siga las instrucciones que se encuentran en este manual de instalación.

Si se utiliza el generador a una temperatura inferior a 5° C (40° F), se recomienda instalar un calentador de batería. Este artículo está disponible en su distribuidor local.

Precauciones al momento del desempaque

La unidad se envía abulonada a su placa de montaje, lista para engancharla hacia arriba. Tenga cuidado a fin de evitar daños causados por caídas, golpes, choques, etc. Guarde y desempaque la caja ubicando el lado correcto hacia arriba, tal como se indica en la misma.

Inspección al momento de la entrega

Luego de retirar la caja, inspeccione cuidadosamente el sistema de generador de doméstico para detectar cualquier daño que pudiera haber ocurrido durante el traslado.

Si detecta faltas o daños en el momento de la entrega, solicite a la persona que realiza la entrega que anote todos los daños en la nota de entrega y que la firme bajo el área de pérdidas y daños del remitente. Si la pérdida o el daño se detecta después de la entrega, separe los materiales dañados y póngase en contacto con el transportista para llevar a cabo los procedimientos de reclamo. Las piezas perdidas o dañadas no están garantizadas.

Contenido de la caja

El sistema de generador de doméstico incluye lo siguiente:

- Placa de montaje fijada previamente
- Sistema de aceite/lubricante con todos los servicios
- Acoplamiento flexible para combustible
- Manual de instalación
- Manual del operario
- Manual del operario del motor
- Lista de verificación de la instalación
- Llaves para puerta de acceso
- Fusible de repuesto tipo ATO de 15 A.
- Conector del panel de control de dos clavijas
- Conector del panel de control de diez clavijas
- Bandeja de vaciado de aceite
- Pintura de contacto
- Bolsa de tornillería para el techo
- Juego del conversion de combustible
- Juego del indicador LED remoto (LED/placa/tornillos)

No incluye:

- Batería de arranque (consulte p. 16)
- Cable y conducto de conexión.
- Válvulas/tubería de suministro de combustible
- Grúa, correas, cadenas o cables de elevación.
- Perforadoras para acero tipo 16
- Destornillador de torsión, de entre 5 y 50 libras por pulgada
- Voltímetro/medidor de frecuencia

Ubicación del sistema de generador

Antes de instalar el generador, consulte con el propietario y comuníquese las siguientes pautas que pudieran afectar la ubicación deseada.

Sitúe el generador en una zona bien ventilada que permita la eliminación de los gases de escape mortales. NO instale el generador en lugares en los que los gases de escape se puedan acumular o entrar en un edificio que pueda estar ocupado. Asegúrese de que los gases de escape no puedan entrar por ventanas, puertas, tomas de aire de ventilación u otras aberturas en un espacio cerrado en el que puedan acumularse. Tenga en cuenta los vientos y las corrientes de aire preponderantes cuando elija la ubicación del generador.

⚠ ADVERTENCIA Al motor funcionar, se produce monóxido de carbono, un gas inodoro y venenoso. Respirar monóxido de carbono puede provocar dolor de cabeza, fatiga, mareos, vómitos, confusión, ataques, náuseas, desmayos o incluso la muerte.

- Opere el generador SOLAMENTE al aire libre.
- Instale una alarma de monóxido de carbono con batería cerca de los dormitorios.
- Asegúrese de que los gases de escape no puedan entrar por ventanas, puertas, tomas de aire de ventilación u otras aberturas en un espacio cerrado en el que puedan acumularse.

⚠ ADVERTENCIA Los gases y el calor de escape pueden inflamar los materiales combustibles y las estructuras provocar un incendio.

- NO instale el generador a menos de 1,5 metros (5 pies) de todo material combustible o estructura con muros combustibles cuya resistencia al fuego sea inferior a una hora.

Pautas generales para la ubicación del generador

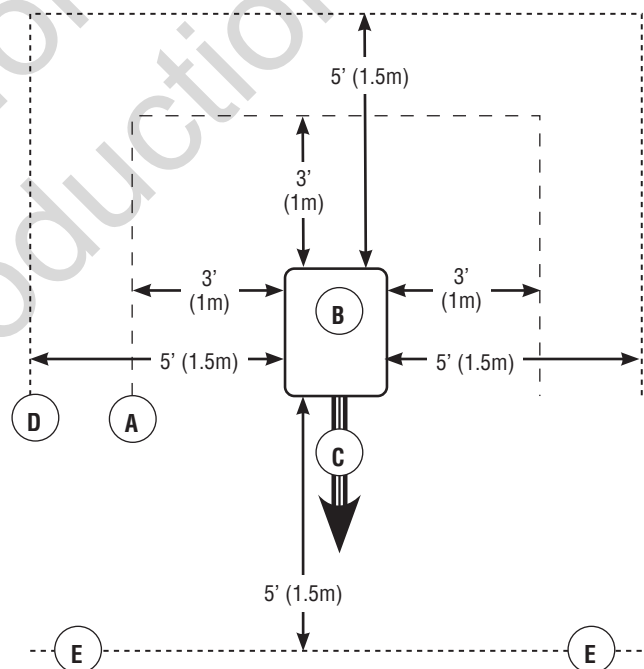
- La unidad SÓLO debe instalarse en exteriores.
- Ubique la unidad en un lugar preparado, que sea plano y cuente con sistemas de drenaje de agua.
- Instale la unidad en un lugar en el que el agua procedente de bombas, canalizaciones de desagüe, canalones de tejado, sistemas de irrigación o aspersores no pueda inundarla, mojar la caja ni penetrar por las aberturas de entrada o salida de aire.
- Instale la unidad de forma que no dificulte ni afecte ningún servicio (incluidos los servicios ocultos o subterráneos), como el teléfono, la electricidad, el suministro de combustible, el riego, el aire acondicionado, etc.
- Instale la unidad en un lugar donde las aberturas de entrada y salida de aire no queden obstruidas por hojas, pasto, nieve, etc. Si los vientos preponderantes ocasionan voladuras o arrastres, es posible que deba construir un rompevientos para proteger la unidad.

- Instale el generador lo más cerca posible del sistema de transferencia de energía automático para reducir la longitud del cableado y las canalizaciones.
- Instale el generador lo más cerca posible del suministro de combustible para reducir la longitud de los caños.

Es posible que las leyes o los códigos locales regulen la distancia al suministro de combustible.

A continuación, se muestran los espacios libres mínimos entre el generador (B) y los materiales combustibles (D) y no combustibles (A) desde una perspectiva superior.

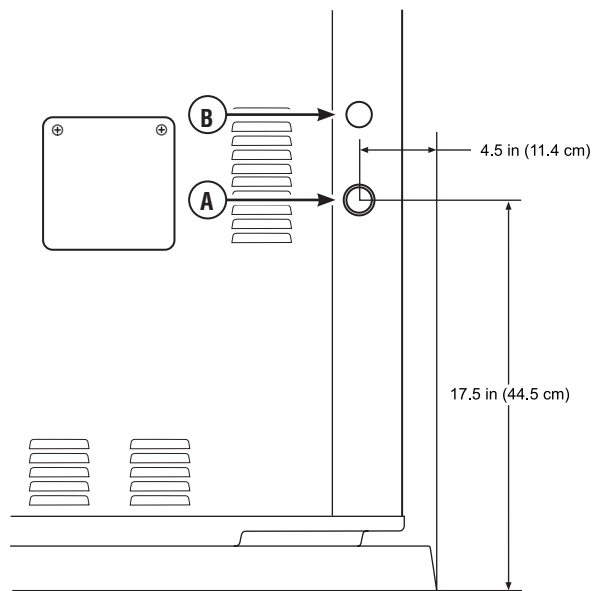
- Estas distancias se ofrecen para ayudar a ubicar el generador teniendo EXCLUSIVAMENTE en cuenta la presencia de materiales combustibles, la refrigeración del generador y el mantenimiento.
- Las distancias mínimas son las que se muestran en la ilustración. Ninguno de los cuatro lados del generador puede quedar cerrado ni obstruido, aunque se mantengan las distancias mínimas. NO conecte (A) y/o (D) a (E).
- No se puede utilizar un techo.
- Evite la acumulación de los gases (C) de escape.



- A Material no combustible con clasificación de resistencia al fuego de 1 hora o más.
 B Generador de reserva doméstico.
 C Escape del motor.
 D Material o estructura combustible con una clasificación de resistencia al fuego de menos de 1 hora.
 E Cualquier estructura o material. NO conecte (A) y/o (D) a (E).

Ubicación de las entradas eléctricas y de combustible

El conector de la admisión de combustible de 3/4 pulgada N.P.T. (A) y la localización eléctrica de la entrada (B) se demuestra:



El sistema de generador de doméstico se envía ya unido a su placa de montaje. A menos que los códigos locales así lo soliciten, no es necesario construir una losa de concreto.

Si los códigos locales exigen ese requisito, construya una losa de concreto que tenga por lo menos 3 pulgadas (7.5 cm) de espesor y que sea 6 pulgadas (15 cm) más larga y más ancha que la unidad. Coloque la unidad sobre la losa utilizando pernos de anclaje para albañilería de 1/4" de diámetro (como mínimo), que sean lo suficientemente largos para soportar la unidad.

Elevación del generador

El generador pesa más de 155 kg (340 libras). Todas las fases de manipulación y traslado del generador requieren el uso de herramientas, equipos y profesionales cualificados.

⚠ ADVERTENCIA Tensión peligrosa - El contacto con los cables eléctricos puede provocar electrocución y quemaduras. Peligro al elevar el equipo/objeto pesado - Puede provocar daños en los músculos y en la espalda.

- Si utiliza equipos de elevación o izado, EVITE el contacto con los cables eléctricos.
- NO eleve ni mueva el generador sin ayuda.
- NO levante la unidad por la parte superior; podría provocar daños en el generador.

Cada esquina del generador dispone de un orificio para horquilla elevadora entre la base y el soporte de montaje. Retoque los desconchones con la pintura que se suministra a tal efecto.

Puertas de acceso

El generador doméstico está equipado con varias aberturas de acceso y un techo desmontable para poder dar mantenimiento sencillo al aceite y al filtro.

Para desmontar el techo:

Quite los cuatro tornillos y levante el techo. Vuelva a colocar el techo en orden inverso.

Para desmontar la tapa de acceso:

Quite los dos tornillos, incline la tapa y levante la tapa del panel. Vuelva a colocar la tapa en orden inverso.

Para quitar el panel lateral (si es necesario):

1. Retire el techo.
2. Quite los tornillos que sujetan el panel lateral.

⚠ ADVERTENCIA El contacto con la zona del silenciador puede producir quemaduras graves.



- NO toque las superficies calientes y evite los gases del escape a alta temperatura.
- Permita que el equipo se enfríe antes de tocarlo.

3. Extraiga el panel tirando de él y levantándolo para separarlo de la base.

Para instalar el panel lateral:

1. Inserte la parte inferior del lado en la base.
2. Empuje el panel hasta alinearlos con los laterales.
3. Vuelva a colocar los tornillos del panel.
4. Vuelva a colocar el techo y los tornillos.

Cada generador doméstico se suministra con un juego de llaves idénticas. Que accionan los cerrojos de las puertas de acceso.

Para abrir una puerta de acceso:

1. Inserte la llave en la cerradura de la puerta de acceso que desee abrir y gire la llave un cuarto de vuelta hacia la izquierda.
2. Agarre el picaporte de la puerta y gire un cuarto de vuelta hacia la izquierda para abrir. Retire la llave.

Para cerrar una puerta de acceso:

1. Cierre la puerta y gire su picaporte un cuarto de vuelta hacia la derecha.
2. Inserte la llave en la cerradura de la puerta de acceso y gire la llave un cuarto de vuelta hacia la derecha. Retire la llave.

Sistema de combustible gaseoso

La siguiente información se proporciona para ayudar a los técnicos de los sistemas de combustible gaseoso a planear las instalaciones. En ninguna circunstancia esta información debe interpretarse en forma contraria a los códigos aplicables a temas de gas combustible. Consulte al proveedor de combustible local o al supervisor del departamento de bomberos si surgen problemas o preguntas.

⚠ ADVERTENCIA El Gas Natural y el Propano son extremadamente inflamables y explosivos. El fuego o una explosión pueden causar quemaduras severas e inclusive la muerte.

- El gas LP es más pesado que el aire y se puede concentrar en áreas bajas.
- El gas natural es más liviano que el aire y se puede concentrar en áreas elevadas.
- Hasta la menor chispa puede hacer que estos combustibles se enciendan y causen una explosión.
- NO encienda un cigarrillo o fume.

AL INSTALADOR: Antes de aplicar estas pautas generales, consulte al propietario del sistema de generador de doméstico y comuníquelo cualquier factor técnico a tener en cuenta que pudiera influir en sus planes de instalación.

Las siguientes son reglas generales que se aplican a las cañerías utilizadas en los sistemas de combustible gaseoso:

- Las tuberías deben ser de un material que cumpla los reglamentos nacionales y locales y deben montarse rígidamente y protegerse contra las vibraciones.
- Los tubos deben estar protegidos contra daños físicos cuando pasen por arriates de flores y arbustos y por otras zonas cultivadas.

⚠ ATENCIÓN El cañería de gas flexibles no se debe instalar en forma subterránea ni se debe utilizar en contacto con el suelo.

- Toda la tubería flexible para gas debe quedar a la vista para su inspección periódica y no se debe ocultar, ni debe tener contacto con paredes, pisos o divisiones ni tenderse a lo largo de esos elementos.

- Instale el tubo flexible para gases (suministrado) entre la entrada de combustible del sistema de generador de doméstico y los tubos rígidos para evitar que la expansión o contracción térmica someta a un exceso de presión a los tubos.

En caso de peligro de terremoto, tornado, inestabilidad del terreno o inundación, se recomienda adoptar medidas especiales para mejorar la resistencia y flexibilidad de los soportes y las conexiones de los tubos.

- La dimensión de los tubos debe ser la adecuada para mantener la presión y el caudal suficientes en distintas condiciones de carga del generador, con todos los equipos de gas conectados al sistema de combustible y en funcionamiento.
- Use un sellador de tuberías o compuesto para uniones aprobado para uso con NG/LPG en todos los acoplamientos con rosca para reducir la posibilidad de fugas.
- Las cañerías instaladas deben ser adecuadamente purgadas y se debe verificar que no tengan fugas, de acuerdo con las normas y los códigos correspondientes.

⚠ ADVERTENCIA El Gas Natural y el Propano son extremadamente inflamables y explosivos. El fuego o una explosión pueden causar quemaduras severas e inclusive la muerte.

- Antes de poner en servicio el sistema de generador de doméstico, se deben purgar las líneas del sistema de combustible y se debe probar si presentan pérdidas.
- No se debe permitir que se produzca ninguna pérdida.

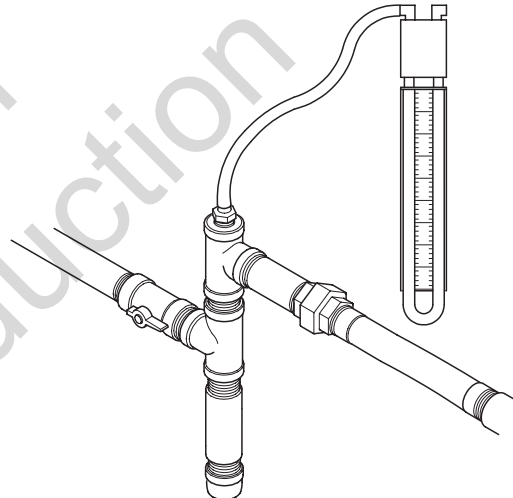
Tenga en cuenta los siguientes factores cuando planifique la instalación del sistema de suministro de combustible:

- La densidad del aire es menor en alturas elevadas, dando como resultado una menor energía disponible del motor. Específicamente, la potencia del motor disminuirá un 3.5% cada 1000 pies (300 metros) por sobre el nivel del mar y un 1% cada 10° F (5.6°C) por encima de los 77°F (25°C). Tanto usted como el instalador deben tener en cuenta estos factores cuando determinen la carga total del generador.
- El motor del sistema de generador de doméstico está provisto de un sistema carburador de combustible que cumple con las especificaciones del California Air Resources Board para sistemas de combustibles duales. La unidad puede funcionar a gas natural o propano licuado.
- Se debe instalar como mínimo una válvula de paso manual homologada y accesible en el conducto de suministro de combustible a menos de 1,8 m (6 pies) del sistema de generador de doméstico. Se instalará una unión o conexión con brida entre la válvula y el equipo para facilitar el desmontaje de los mandos.
- La presión de suministro de gas natural en la entrada de combustible del generador debe estar entre 5 y 7 pulgadas de columna de agua con carga completa cuando todos los aparatos de gas estén encendidos y en funcionamiento.
- La presión de suministro de LP debe estar entre 11 y 14 pulgadas de columna de agua con carga completa cuando todos los aparatos de gas estén encendidos y en funcionamiento.

El sistema de generador de doméstico viene preparado de fábrica para funcionar a gas natural. Si necesita cambiar gas natural a LP, se deberá reconfigurar la unidad, tal como se describe en *Conversión de combustible*.

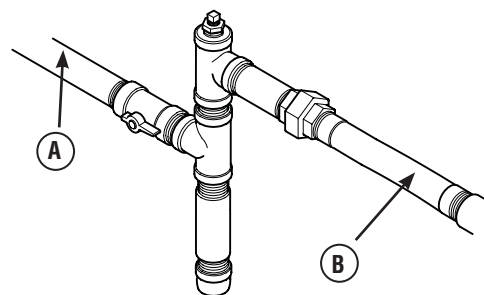
- Una válvula de cierre manual de combustible ubicada en el interior del edificio.
- Una válvula de cierre manual de combustible ubicada fuera del edificio, justo antes del generador.
- En caso de peligro de formación de hidratos o hielo, los tubos se deberán proteger contra la congelación. En uno de los extremos del circuito de tubos rígidos debe haber un depósito de sedimentos en el que no se congele el vapor de agua condensado.
- Se debe contar también con una abertura para manómetro.

La abertura para el manómetro permite la instalación transitoria de un manómetro para asegurar que el motor reciba la presión de combustible apropiada para funcionar en forma eficiente durante todo el rango de operación.



Puede adquirir un manómetro digital (Ref. 19495) en su centro de servicio local.

Una vez finalizadas las pruebas de funcionamiento iniciales, se retira el manómetro y el orificio se tapona. En la ilustración, se muestra una conexión típica de combustible, donde (A) es el conducto de suministro y (B) va hasta el generador doméstico.



Consumo de combustible

A continuación, se muestran los requisitos estimados de suministro de combustible a plena y media carga de gas natural y vapor de LP.

Gas natural		Vapor de PL	
1/2 Carga	Carga completa	1/2 Carga	Carga completa
80 C	137 C	33 C	56 C
80,000 B	137,000 B	82,500 B	140,000 B
C = en pies cúbicos por hora B = BTU por hora			

Dimensiones de la cañería de combustible

Las tablas siguientes indican la capacidad máxima del tubo en pies cúbicos de gas por hora para presiones de gas de 0,5 psi o inferiores y una caída de presión de 0,3 pulgadas en la columna de agua. Se indica la densidad específica del gas.

En los valores indicados se ha tenido en cuenta una cantidad normal de restricciones debidas a curvas, accesorios, etc. Si se utiliza un número inusual de accesorios, curvas u otras restricciones, consulte los reglamentos nacionales y locales.

Propiedades físicas	Vapor de PL	Gas natural
Estado normal a presión atmosférica	Gas	Gas
Punto de ebullición (en °F): Inicia Fina	-44 -44	-259 -259
Poder calorífico: BTU por galón (LHV Neto*) BTU por galón (bruto**) Pies cúbicos (gas)	83,340 91,547 2,500	63,310 1,000
Densidad***	36.39	57.75
Peso†	4.24	2.65
Número de octanos: De investigación Motor	110+ 97	110+
* LHV (poder calorífico inferior) es el valor nominal más realista. ** El poder calorífico bruto no considera la pérdida de calor en forma de agua durante la combustión. *** La densidad se expresa en "Pies Cúbicos de Gas por Galón de Líquido". † El peso se indica en "Libras por Galón de Líquido".		

NPT	10ft	15ft	20ft	30ft	40ft	50ft	60ft	70ft	80ft	90ft	100ft
3/4"	346	293	240	192	163	145	132	120	113	106	99
1"	653	549	446	360	307	274	250	230	211	197	187

Tamaño del tubo de gas natural - Diagrama de flujo de gas, en pies cúbicos por hora, densidad específica=0,65

NPT	10ft	15ft	20ft	30ft	40ft	50ft	60ft	70ft	80ft	90ft	100ft
3/4"	277	192	158	126	107	95	87	79	74	69	65
1"	428	360	293	236	202	180	164	151	139	129	123

Tamaño del tubo de propano líquido (LP) - Diagrama de flujo de gas, en pies cúbicos por hora, densidad específica=1,50

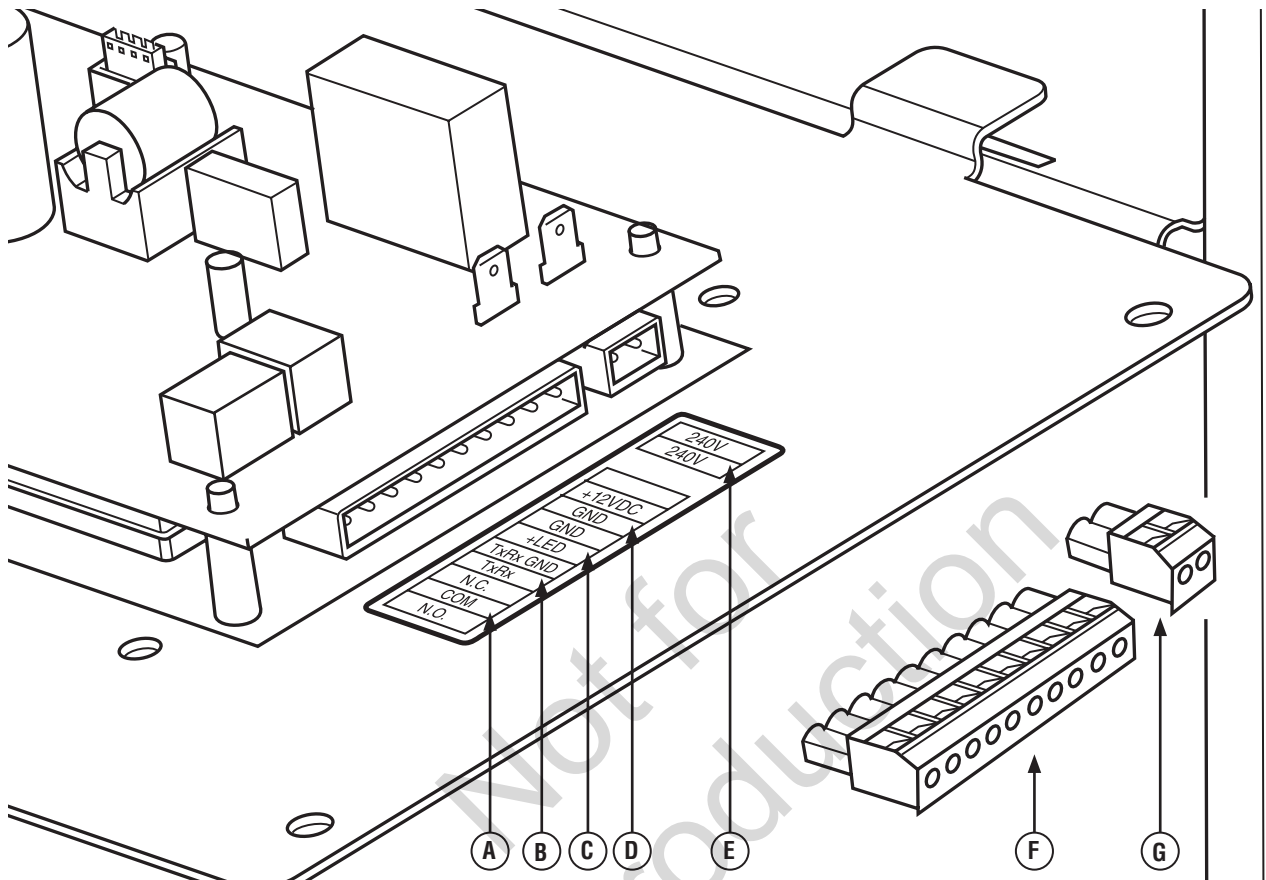
Tamaño del tanque de propano requerido

Considerando la tasa de consumo de gas y la temperatura mínima promedio durante el invierno, un instalador puede especificar el tamaño necesario del tanque de almacenamiento de PL:

Tasa de consumo	32° F	20° F	10° F	0° F	-10° F	-30° F	-40° F
50 pies cúbicos/h	115	115	115	250	250	400	600
100 pies cúbicos/h	250	250	250	400	500	1000	1500
150 pies cúbicos/h	300	400	500	500	1000	1500	2500
200 pies cúbicos/h	400	500	750	1000	1200	2000	2500
300 pies cúbicos/h	750	1000	1500	2000	2500	4000	5000

Conexiones de sistema

A excepción de los conectores de salida de alimentación y conexión a tierra, todas las conexiones de señalización son tomas de dos o diez patillas. Compare la ilustración con su generador para familiarizarse con la ubicación de estas importantes conexiones. Cuento hasta llegar a la posición de pasador correcta en el conector de la tarjeta de control debido a que la alineación visual con la calcomanía puede ser confusa.



A - Contactos de fallo - Utilice NO, COM y NC para activar una sirena, un indicador luminoso, un dispositivo opcional, etc. como aviso para los casos de fallo. Los contactos cambian de estado cuando se presenta una condición de fallo.

B - Comunicación con el conector - Conecte al tablero de control del conector para la interfaz de comunicación utilizando un cable de cobre de par torcido 18 AWG.

C - Salida de LED remoto - Se utiliza para conectarse al LED remoto suministrado con el generador. El LED remoto parpadeará si se detectan determinadas averías en el sistema generador.

D - Salida de +12 V CC y 0,5 A - Fuente de alimentación interna auxiliar.

E - 240 V de servicio - Para conectar los cables de servicio de 240 V del conector al generador.

F - Cableado para toma de diez clavijas

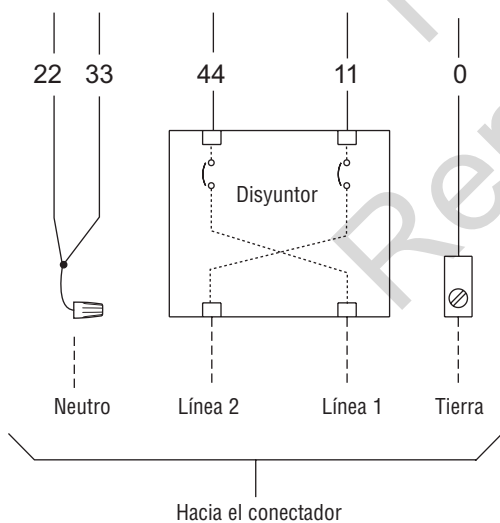
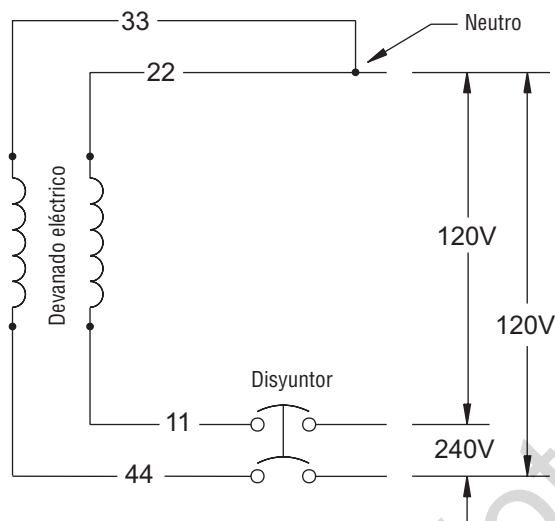
G - Cableado para toma de dos clavijas

- Para la conexión de salida de alimentación, utilice un cable de 300 voltios como mínimo de 75 a 90 °C de cobre 8 AWG, (referencia. Cuadro 310.16, 100 pies del NEC. Utilice el código eléctrico nacional para los factores de corrección y ate con alambre los cálculos del tamaño.).
- Para la conexión de la red pública, utilice un cable de cobre 14 AWG de 300 voltios como mínimo de 75 a 90 °C.
- Para la comunicación del conector, utilice conductores de par torcido 18 AWG, con una longitud máxima de 61 m, con cable de cobre de 300 voltios de 75 a 90 °C.
- Fije solamente un cable a cada tornillo del conector.
- Apriete los tornillos del conector a 7 pulgadas-libras (7,9 Newton-metro).

Sistema de conexión de c.a. del generador

En el sistema de generador de doméstico se utiliza un sistema de conexión monofásico de CA de tres hilos. El conjunto del estator consta de un par de devanados estacionarios con dos terminales que salen de cada devanado. La unión de los conductores 22 y 33 forma el neutro, como se muestra en el diagrama siguiente. El manual ilustrado de componentes incluye un esquema completo y un diagrama de conexiones.

El neutro no está conectado a tierra en el generador.



Conexión a tierra del generador

Conecte a tierra el sistema de generador de doméstico con arreglo a los códigos y normas vigentes. El terminal GND (tierra) del generador está situado en el interior de la puerta del panel de control, bajo la tapa del interruptor.

Interconexiones del circuito de control

Los cables "240V Utility" (servicio de 240 V) se deben pasar a través del conducto. "240V Utility" suministra potencia a la tarjeta de circuito impreso del generador, el calentador opcional de la batería y de aceite y el cargador de la batería. El generador arrancará cuando se interrumpa la alimentación de servicio.

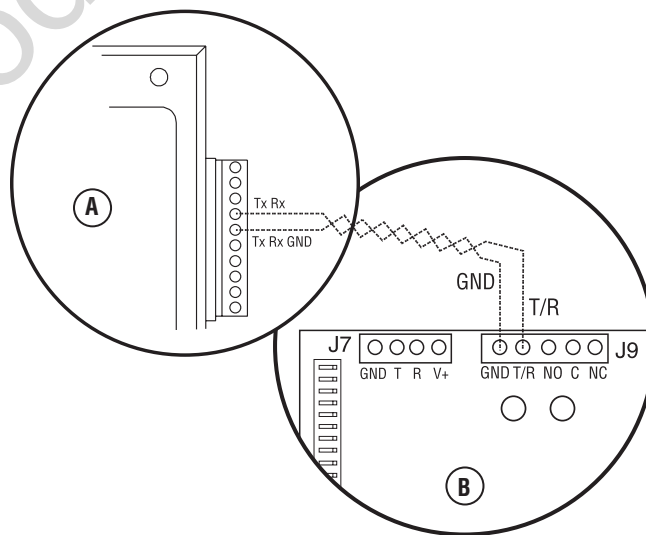
Conecte cada terminal del circuito de control del generador al conector automático. Para ello, utilice el conector bipolar incluido y cable de cobre 14 AWG de 300 V, como mínimo, suministrado por el instalador.

Cuando realice las conexiones, considere el tipo de cable y las especificaciones de torsión impresas en el disyuntor y conector neutro/de conexión a tierra.

Comunicación del conector

(Unidades con un ACCM II o tablero de control posterior solamente)

Utilizando conductores de par torcido 18 AWG, con una longitud máxima de 61 m, conecte los terminales Tx Rx y Tx Rx GND desde el panel de control del generador (A) a los terminales T/R y GND en la tarjeta de control del conector (B).



Sistema de detección de fallas

El panel de control del generador incluye una pantalla digital que muestra los códigos de fallo. Mostrará un código de fallo cuando el generador detecte determinados fallos. Se suministra un LED adicional y una placa de montaje que se pueden instalar en un punto interior adecuado. Parpadeará si se detectan determinadas averías en el generador. Consulte la sección *Sistema de detección de fallos* en el manual del operario para obtener más información.

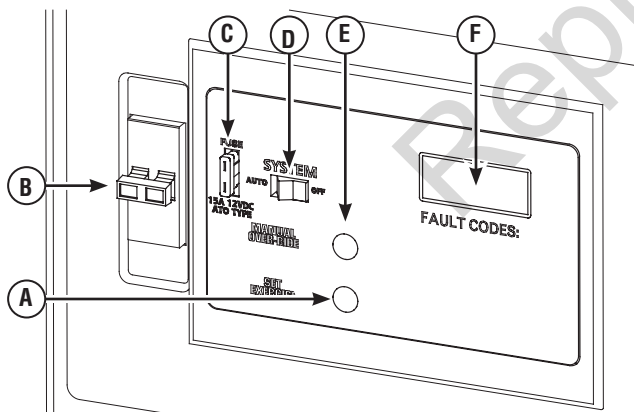
El propietario la utilizará para observar el estado del generador. El LED remoto parpadeará si se detectan determinadas averías en el sistema generador. Consulte con él la ubicación más adecuada. Sitúe el cuadro eléctrico en una zona visible para el propietario; por ejemplo, cerca del abridor o del panel de control de seguridad de una puerta de garaje.

Para instalar el panel del LED remoto:

1. Presione el LED a través de la placa de montaje desde la parte delantera hasta que encaje en su posición. El LED es sensible a la polaridad.
2. Conecte el LED remoto a la conexión +LED y GND de la tarjeta de control del generador. Para ello, utilice el conector de 10 polos incluido y cable 18 AWG, como mínimo, suministrado por el instalador. Utilice tuercas para fijar el cable al LED.
3. Conecte la placa de montaje a la caja eléctrica de bajo voltaje proporcionada por el instalador.

Panel de control del sistema

A continuación se muestra el panel de control del generador, situado en el interior del cuerpo del generador.



Breve descripción de los mandos utilizados durante la instalación:

- A - Set Exercise** (Establecer ejercicio) - Permite preparar el ciclo de prueba.
- B - Disyuntor** - Debe estar en **ON** (Encendido) para suministrar alimentación al conector.
- C - Fusible de 15 A** - Protege los circuitos de control de CC.
- D - Conmutador del sistema** - Alterna entre los modos **OFF** o **AUTO**.
- E - MANUAL OVER-RIDE** (Cancelación manual) - Activa y desactiva el generador.
- F - Pantalla digital** - Muestra la hora de funcionamiento en horas o los códigos de falla.

Para obtener más información, consulte la sección *Controles* del manual del operario.

Conmutador del sistema

Este dispositivo de dos posiciones es el control más importante en el sistema. Se utiliza de la siguiente manera:

- La posición **"AUTO"** es la posición normal funcionamiento. Si se detecta una interrupción de la alimentación eléctrica de la red, el sistema hace que arranque el generador. Cuando se restablece la alimentación eléctrica de la red, el sistema espera a que se establezcan las temperaturas internas del motor, para el generador y se pone en estado de espera para la próxima vez que se interrumpa la alimentación eléctrica.
- La posición **"OFF"** hace que se pare el generador, impide el arranque de la unidad y reinicializa cualquier fallo detectado.

Fusible de 15 Amperios

Protege los circuitos de control de CC del generador doméstico. Si el fusible se 'fundió' (se quemó y abrió) o fue retirado, el motor no puede arrancar. Cambie el fusible por otro idéntico: ATO de 15 A. La unidad se suministra con un fusible de repuesto. Si el fusible se fundió o fue retirado, necesitará reinicializar el temporizador de prueba. Consulte la sección *Configuración del temporizador de práctica*.

Consideraciones finales para la instalación

Aceite de motor

AVISO Si intenta arrancar el motor antes de llenarlo con el aceite recomendados, provocará un fallo del equipo.

- Consulte la información de llenado de aceite y combustible en la sección *Mantenimiento* y en el manual del operario.
- El daño a la generador, resultado de la desatención a esta precaución, no será cubierto por la garantía.

El motor se entrega configurado en fábrica y lleno de aceite sintético (SAE 5W-30), lo que permite que el sistema funcione en la gama más amplia de condiciones de temperatura y climáticas. Antes de ponerlo en marcha, compruebe el nivel de aceite y asegúrese de que se sigan los procedimientos de mantenimiento descritos en el manual del operario.

El hecho de utilizar aceite sintético NO modifica los intervalos de cambio de aceite necesarios descritos más adelante en la sección dedicada a mantenimiento en la manual del motor.

Batería

El instalador debe suministrar e instalar una batería de arranque con válvula de regulación y recargable 12 voltios. La batería de arranque DEBE cumplir con las especificaciones que se indican en este cuadro.

Especificaciones de la batería	
Voltios	12 V CC
A (MÍN)	350 CCA (amperios de arranque en frío)
Tipo	AGM
Hardware Terminal	M8
Dimensiones (MÁX):	
Ancho	5.325 pulgadas (135mm)
Longitud	7.875 pulgadas (200mm)
Altura	6.875 pulgadas (175mm)

Instale la batería como se explica en el apartado *Servicio la batería* de la sección *Mantenimiento* del manual del operario. Asegúrese siempre de conectar el cable **NEGATIVO** en último lugar y que el aislante del terminal **POSITIVO** rojo esté bien colocado.

▲ ADVERTENCIA Las patillas de las baterías, los terminales y los accesorios relacionados contienen plomo y compuestos de plomo - sustancias químicas declaradas cancerígenas y causantes de malformaciones congénitas por el Estado de California. Lávese las manos después de manipular estos elementos.

Sistema de suministro de combustible

Asegúrese de que todas las conexiones de la cañería de combustible estén ceñidas, firmes y que no presenten pérdidas.

Asegúrese de que todas las válvulas de cierre de la línea de gas estén abiertas (OPEN) y que la presión de combustible sea la adecuada.

Arranque inicial (sin carga)

Antes de poner a funcionar el generador doméstico o de ponerlo en servicio, inspeccione toda la instalación cuidadosamente. Posteriormente, comience a probar el sistema sin conectar cargas eléctricas, de la siguiente manera.

La unidad se configuró en fábrica para que funcione con gas natural. La conversión de combustible, si se requiere, debe completarse antes de realizar estos pasos (consulte *Conversión de combustible*).

1. Quite los cuatro tornillos que fijan el panel de control a la caja para dejar al descubierto el disyuntor de la unidad.
2. Conecte un medidor de frecuencia de precisión del lado de carga del interruptor principal del generador.
3. Fije el interruptor de potencia principal del generador en la posición **ON** (cerrada).
4. Instale el fusible de 15 Amperios en el panel de control.
5. Fije el conmutador del sistema del generador en la posición **AUTO**.
6. Pulse **MANUAL OVER RIDE** (cancelación manual) en el panel de control aproximadamente durante seis segundos. El motor se pondrá en funcionamiento. Cuando el sistema de generador de doméstico se arranca por primera vez, es necesario purgar el aire de las líneas de combustible gaseoso. Esto puede tardar algunos minutos.
7. Escuche si se oyen ruidos anormales o si se observa vibración u otros indicios de funcionamiento anormal. Compruebe si se produce alguna fuga de aceite durante el funcionamiento del generador.
8. Deje que el motor se caliente durante aproximadamente cinco minutos para permitir que las temperaturas internas se estabilicen.
9. Verifique la tensión debe estar entre 239 y 262 Voltios y la frecuencia entre 62.0 y 62.5 Hz.

Si alguno de los parámetros está fuera de estos rangos, lleve a cabo los ajustes del motor que se describen en la sección *Ajuste del motor*.

10. Verifique la salida del generador entre una de las orejetas terminales de conexión al generador y la orejeta terminal de conexión al neutro, luego entre la otra orejeta de conexión al generador y la orejeta terminal de conexión al neutro. En ambos casos, las lecturas de tensión deben estar entre 119 y 131 Voltios.

NO siga avanzando hasta que no esté seguro de que la tensión de c.a. del generador y la frecuencia sean las correctas y se encuentren dentro de los límites establecidos. Para obtener la frecuencia apropiada del generador, consulte la sección *Ajuste del motor*.

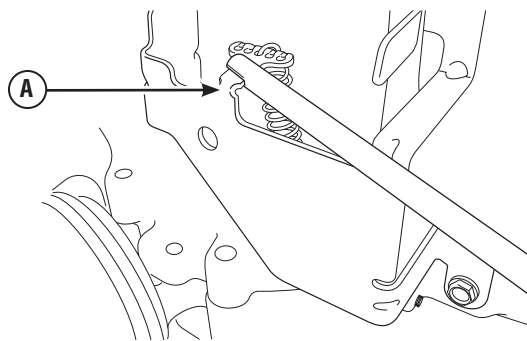
11. Pulse y tiene el conmutador **MANUAL OVER-RIDE** (cancelación manual) del panel de control hasta paradas de motor.
12. Vuelva a instalar el panel de control en la caja.

Ajuste del motor

Hay variaciones regionales en la composición del gas natural. Cada sistema generador se ajusta en fábrica para funcionamiento con gas natural. Si la tensión de salida del generador o la frecuencia medidas durante el *Arranque inicial* están fuera de los intervalos admisibles, la combustibilidad del gas suministrado en el lugar de instalación puede ser sustancialmente distinta.

Para ajustar el motor para este combustible diferente, haga lo siguiente.

1. Quite los cuatro tornillos que fijan el panel de control a la caja para dejar al descubierto el disyuntor de la unidad.
2. Conecte un medidor de frecuencia de precisión del lado de carga del interruptor principal del generador.
3. Asegúrese de que el fusible de 15 Amperios se encuentre instalado.
4. Fije el interruptor de potencia principal del generador en **ON**.
5. Sitúe el conmutador del sistema del generador en la posición **AUTO**.
6. Pulse el conmutador **MANUAL OVER-RIDE** (cancelación manual) del panel de control. Cuando el motor arranque, déjelo calentar durante cinco minutos.
7. La frecuencia normal sin carga es de 62,0 a 62,5 Hz. Si se necesita un ajuste sin carga, quite los paneles laterales de la unidad. Con ayuda de unos alicates de punta fina o la herramienta para ajuste de espigas de B&S N° 19229 ó 19480, ajuste lentamente la espiga de anclaje del muelle (**A**) hacia arriba o hacia abajo hasta alcanzar una frecuencia de 62,0 a 62,5 Hz.



8. Sitúe el seccionador de servicio del conector en la posición "**OFF**" (abierto). El conector se conectará al generador después de un breve período de tiempo.
 9. Cargue el generador a plena carga.
 10. La frecuencia debe ser superior a 57,0 Hz.
 11. Si la frecuencia es inferior a 57,0 Hz, ajuste lentamente la espiga de anclaje del muelle hacia arriba o hacia abajo hasta que la frecuencia sea superior a 57,0 Hz.
 12. Sitúe el seccionador de servicio del conector en la posición "**ON**" (cerrado). El conector se conectará a la red pública después de un breve período de tiempo.
 13. Pulse y tiene el conmutador **MANUAL OVER-RIDE** (cancelación manual) del panel de control hasta paradas de motor.
 14. Una vez que se pare el motor:
 - Si se realizó un ajuste en el paso 11, repita los pasos del 2 al 7.
 - Si no se realizó un ajuste en el paso 11, siga en el paso 15.
- Si la frecuencia sin carga es inferior al parámetro sin carga después de realizar el ajuste a plena carga, póngase en contacto con un centro de servicio autorizado.
15. Vuelva a instalar el panel de control en la caja. Luego vuelva a colocar los paneles laterales.

Procedimiento de apagado de prueba

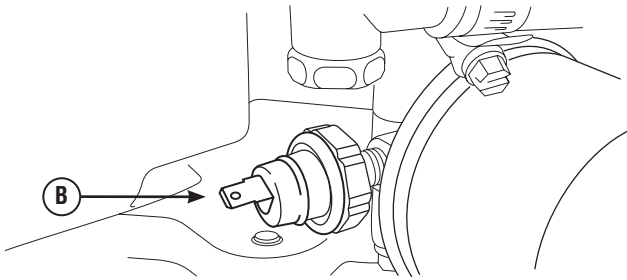
El instalador deberá probar el sistema para verificar que los mensajes de diagnóstico se muestren correctamente en la pantalla digital del panel de control del sistema, de la siguiente manera:

FC_1 - Low Battery (Batería baja)

Para este fallo no se requiere realizar ningún procedimiento de prueba.

FC_2 - Low Oil Pressure: (Baja presión de aceite)

Localice el cable N.º 85 conectado al presostato de aceite (B):



Conecte el cable de puente suministrado por el instalador con el cable N.º 85. Con el conmutador del sistema en la posición **AUTO**, pulse **MANUAL OVER RIDE** (cancelación manual) para poner en marcha el generador. Con el generador en funcionamiento, conecte el otro extremo del puente a un punto de tierra adecuado, como el bloque del motor. El generador se apagará y se mostrará FC_2 en el panel de control del sistema. Quite el cable de puente. Ponga el conmutador del sistema en la posición **OFF** durante 30 segundos para anular el fallo.

FC_3 - Low Voltage (Baja tensión)

Con el conmutador del sistema en la posición **AUTO**, pulse **MANUAL OVER-RIDE** (cancelación manual) para poner en marcha el generador. Con el generador en funcionamiento sin carga, ponga el disyuntor del generador en la posición **OFF**. El generador deberá apagarse y se mostrará FC_3 en el panel de control del sistema. Ponga el conmutador del sistema en la posición **OFF** durante 30 segundos para anular el fallo. Ponga el disyuntor en la posición **ON**.

FC_4 - Engine Fails to Start (El motor no arranca)

Sin que el generador esté en funcionamiento, ponga la válvula de combustible manual suministrada por el instalador en la posición **OFF**. Con el conmutador del sistema en la posición **AUTO**, apague el suministro de la red pública. El motor comenzará a dar vueltas para intentar arrancar. Después de un intento de arranque de aproximadamente dos minutos (10 segundos de intento de arranque, 10 segundos de descanso) el generador deberá terminar el intento de arranque y se mostrará FC_4 en el panel de control del sistema. Ponga el conmutador del sistema en la posición **OFF** durante 30 segundos para anular el fallo. Ponga la válvula de combustible suministrada por el instalador en la posición **ON**.

FC_5 - Low Frequency (Baja frecuencia)

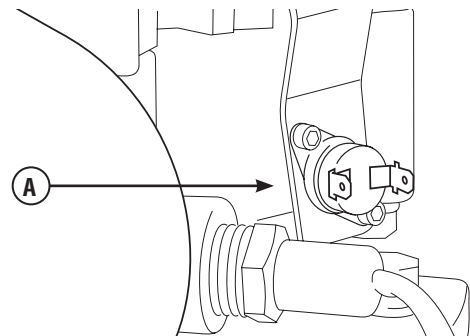
Con el conmutador del sistema en la posición **AUTO**, pulse **MANUAL OVER-RIDE** (cancelación manual) para poner en marcha el generador. Localice la palanca del regulador y disminuya **LENTAMENTE** la velocidad del motor. **NO** cambie la velocidad del motor con de ajuste del regulador. Cuando el generador alcance una velocidad más baja que 55 Hz durante tres segundos, el generador se apagará y se mostrará FC_5 en el panel de control del sistema. Ponga el conmutador del sistema en la posición **OFF** durante 30 segundos para anular el fallo.

FC_6 - Engine Overspeed (Exceso de velocidad del motor)

Con el conmutador del sistema en la posición **AUTO**, pulse **MANUAL OVER-RIDE** (cancelación manual) para poner en marcha el generador. Localice la palanca del regulador y aumente **LENTAMENTE** la velocidad del motor. **NO** cambie la velocidad del motor con de ajuste del regulador. Cuando la frecuencia de salida del generador sea de 65 a 70 Hz después de tres segundos, el generador se apagará y se mostrará FC_6 en el panel de control del sistema. Si la frecuencia de salida del generador es mayor que 70 Hz, el generador se apagará inmediatamente. Ponga el conmutador del sistema en la posición **OFF** durante 30 segundos para anular el fallo.

FC_7 - High Temperature (Alta temperatura)

Localice el cable N.º 95 conectado al conmutador de temperatura (A):



Conecte el cable de puente suministrado por el instalador con el cable N.º 95. Con el conmutador del sistema en la posición **AUTO**, pulse **MANUAL OVER-RIDE** (cancelación manual) para poner en marcha el generador. Con el generador en funcionamiento, conecte el otro extremo del puente a un punto de tierra adecuado, como el bloque del motor. El generador deberá apagarse y se mostrará FC_7 en el panel de control del sistema. Quite el cable de puente. Ponga el conmutador del sistema en la posición **OFF** durante 30 segundos para anular el fallo.

FC_8 - Transfer Switch Fault (Fallo del conector)

(Unidades con un ACCM II o tablero de control posterior solamente)

Compruebe que el conector automático reciba alimentación de la red pública. Con el conmutador del sistema en la posición **AUTO**, retire uno de los fusibles del conector. Se mostrará FC_8 en el panel de control del sistema. Con cuidado, vuelva a instalar el fusible en el conector. Ponga el conmutador del sistema en la posición **OFF** durante 30 segundos para anular el fallo.

Análisis de los resultados de la prueba

Si alguno de los procedimientos de prueba anteriores no provoca que el generador se apague y muestra el fallo indicado, corrija la condición de fallo antes de hacer funcionar la unidad.

Conversión de combustible

El motor del sistema generador doméstico ha sido configurado de fábrica para funcionar con gas natural (NG). También funciona con vapor de petróleo licuado (PL). Un juego de conversión a PL es necesario para convertir la unidad para que funcione con combustible de vapor PL. La presión de entrada de combustible PL debe ser una columna de agua de 11 a 14 pulgadas con carga completa cuando todos los aparatos de gas estén encendidos y en funcionamiento.

Para configurar el sistema de combustible para uso de GPL:

1. Sitúe el conmutador del sistema del generador en la posición **OFF**.
2. Quite el fusible de 15 A del panel de control.
3. Retire el techo y los paneles laterales.
4. Cambie el propulsor principal del mezclador de combustible conforme a las indicaciones incluidas en el juego de conversión a PL.
5. Retire los paneles laterales y el techo.
6. Vuelva a instalar el fusible de 15 A en el panel de control.
7. Sitúe el conmutador del sistema del generador en la posición **AUTO**.

El sistema ya está listo para funcionar automáticamente con combustible de vapor PL.

Controles

Todos los controles del sistema generador se describen en el manual del operario. Consúltelo para obtener información detallada.

Utilización

Secuencia de operación automática

El panel de control del generador aloja una plaqueta de control lógico. Esta plaqueta de control supervisa constantemente la tensión de origen de energía de la compañía proveedora de electricidad. Si esa tensión cae por debajo de un nivel preestablecido, la acción de la plaqueta de control indica al motor que arranque.

Cuando se restablece la tensión de origen de la compañía proveedora de electricidad por encima de un nivel de tensión preestablecida, se indica al motor que se apague.

La operación real del sistema no se puede ajustar y se divide en secuencias mediante sensores y temporizadores en la plaqueta de control, de la siguiente manera:

Sensor de caída de tensión de la compañía proveedora de electricidad

- Este sensor supervisa la tensión de origen de la compañía proveedora de electricidad.
- Si la tensión de origen de la compañía proveedora de electricidad cae por debajo de aproximadamente el 70 por ciento de la tensión de suministro nominal, el sensor energiza un temporizador de 10 segundos. El temporizador se utiliza para detectar caídas de tensión.
- Una vez transcurrido el tiempo del temporizador, el motor arranca en forma manual.

Sensor de excitación de tensión de la compañía proveedora de electricidad

Este sensor vigila la tensión de alimentación de la red. Cuando se restablece la tensión alcanzando un valor superior al 80% de la tensión nominal, se pone en marcha un temporizador y el motor sigue funcionando durante un tiempo para enfriarse.

Temporizador de enfriamiento del motor

- Cuando la carga se transfiere nuevamente a la fuente de energía de la compañía proveedora de electricidad, comienza el conteo de tiempo del temporizador de enfriamiento del motor.
- El temporizador funciona durante aproximadamente un minuto, luego el generador se apaga.
- El tiempo mínimo de funcionamiento del motor es de 5 minutos.

Configuración del temporizador de práctica

El generador doméstico está equipado con un temporizador de práctica que arranca el sistema y lo prueba una vez cada siete días. Durante este período de práctica, la unidad trabaja durante aproximadamente 20 minutos y luego se apaga. Durante el ciclo de práctica NO se produce la transferencia de cargas eléctricas (a menos que se produzca un corte en el suministro de la compañía proveedora de electricidad).

El panel de control incluye un botón "SET EXERCISE" (Preparar prueba) (consulte *Panel de control del sistema*). La fecha y la hora concretas en las que se pulsa dicho botón están programadas en la memoria de la tarjeta de control. Esta información se utiliza para iniciar automáticamente el ciclo de prueba del sistema. La leyenda "SET EXERCISE" del panel de control parpadeará hasta que se active el ciclo de prueba.

Para llevar a cabo el procedimiento para configurar la práctica (Set Exercise):

1. Elija el día y la hora en que desea que se realice la práctica del generador doméstico.
2. Ese día y a esa hora, pulse y mantenga pulsado **SET EXERCISE** (Preparar prueba) durante tres segundos.
El LED parpadeará hasta que el conmutador se mantenga pulsado tres segundos. A continuación, el LED se encenderá durante cinco segundos y se apagará.
3. Posteriormente, la unidad arrancará y realizará su ciclo de prueba de 20 minutos.

Por ejemplo, si pulsa SET EXERCISE el domingo en la mañana a las 10:00 a.m., la unidad realizará un ciclo de prueba inmediato y un ciclo de prueba cada domingo a las 10:00 a.m. (+/- 1/2 hora).

La función de configuración de práctica ("Set Exercise") sólo funciona si la unidad se encuentra en el modo **AUTO** y si se cumple este procedimiento en forma estricta. El dispositivo de prueba deberá rearmarse si el fusible de 15 A se cambia o si la batería de arranque se desconecta.

Si desea cambiar el día y la hora en que se realiza la práctica de la unidad, simplemente realice el procedimiento de configuración de práctica ("Set Exercise") exactamente el día de la semana y a la hora en que desea que se lleve a cabo.

Inspección posterior a la instalación

Antes de poner el sistema generador en servicio, inspeccione toda la instalación cuidadosamente.

Cumplimente la "Lista de control de la instalación" mientras realiza la inspección. Asegúrese de incluir todos los elementos y de obtener todas las firmas correspondientes. Indíquelo al propietario que envíe por correo postal la copia blanca a la dirección que se muestra en la lista de control.

Ha terminado de realizar las instrucciones de instalación y de arranque. El manual del operario incluye detalles completos sobre la operación, el mantenimiento y la resolución de problemas de este sistema generador.



Home Generator Systems

Manuel d'Installation et Démarrage



**7000 watts
d'automatique**

Nous vous remercions d'avoir acheté cette génératrice résidentielle de qualité Briggs & Stratton. Nous sommes heureux que vous fassiez confiance à la marque Briggs & Stratton. Lorsque utilisée et entretenue selon les instructions de ce manuel d'utilisation, votre génératrice vous offrira de nombreuses années de service fiable.

Ce manuel contient des renseignements sur la sécurité pour vous informer des dangers et des risques associés aux groupes électrogènes ainsi que de la façon de les éviter. Le groupe électrogène est conçu pour être utilisé comme génératrice résidentielle auxiliaire fournissant une source d'électricité alternative et pour desservir des charges comme le chauffage, les systèmes de réfrigération et les systèmes de communication qui, lorsqu'ils sont arrêtés durant une panne d'électricité, peuvent causer de l'inconfort ou des inconvénients. **Conservez ces instructions pour référence future.**

Cette génératrice résidentielle auxiliaire exige une installation par un professionnel avant d'être utilisée. Votre installateur doit suivre ces directives à la lettre.

Où nous trouver

Vous n'aurez jamais à chercher bien loin pour trouver un centre de soutien et service pour votre génératrice. Consultez les Pages Jaunes. De nombreux distributeurs de service après-vente agréés Briggs & Stratton offrent un service de qualité. Vous pouvez également communiquer avec le service à la clientèle en téléphonant sans frais au (800) 743-4115 de 8 h à 17 h HNC ou cliquez sur trouvent dessus un revendeur à BRIGGSandSTRATTON.COM, qui procure une liste des détaillants autorisés.

À des fins de consultation ultérieure

Veuillez fournir les renseignements suivants et les conserver avec votre reçu pour vous aider dans l'identification de l'appareil lors de vos prochains achats d'équipement.

Date d'achat

<input type="text"/>	<input type="text"/>	<input type="text"/>	<input type="text"/>	<input type="text"/>	<input type="text"/>	<input type="text"/>	<input type="text"/>
----------------------	----------------------	----------------------	----------------------	----------------------	----------------------	----------------------	----------------------

Génératrice

Numéro de modèle

<input type="text"/>	<input type="text"/>	<input type="text"/>	<input type="text"/>	<input type="text"/>	<input type="text"/>	<input type="text"/>	<input type="text"/>
----------------------	----------------------	----------------------	----------------------	----------------------	----------------------	----------------------	----------------------

Révision

<input type="text"/>	<input type="text"/>
----------------------	----------------------

Numéro de série

<input type="text"/>	<input type="text"/>	<input type="text"/>	<input type="text"/>	<input type="text"/>	<input type="text"/>	<input type="text"/>	<input type="text"/>	<input type="text"/>	<input type="text"/>	<input type="text"/>	<input type="text"/>
----------------------	----------------------	----------------------	----------------------	----------------------	----------------------	----------------------	----------------------	----------------------	----------------------	----------------------	----------------------

Moteur

Numéro de modèle

<input type="text"/>	<input type="text"/>	<input type="text"/>	<input type="text"/>	<input type="text"/>	<input type="text"/>	<input type="text"/>	<input type="text"/>	<input type="text"/>	<input type="text"/>	<input type="text"/>	<input type="text"/>	<input type="text"/>	<input type="text"/>	<input type="text"/>
----------------------	----------------------	----------------------	----------------------	----------------------	----------------------	----------------------	----------------------	----------------------	----------------------	----------------------	----------------------	----------------------	----------------------	----------------------

Numéro de série

<input type="text"/>	<input type="text"/>	<input type="text"/>	<input type="text"/>	<input type="text"/>	<input type="text"/>	<input type="text"/>	<input type="text"/>	<input type="text"/>	<input type="text"/>	<input type="text"/>	<input type="text"/>	<input type="text"/>	<input type="text"/>	<input type="text"/>
----------------------	----------------------	----------------------	----------------------	----------------------	----------------------	----------------------	----------------------	----------------------	----------------------	----------------------	----------------------	----------------------	----------------------	----------------------

Briggs & Stratton Power Products Group, LLC
P.O. Box 702
Milwaukee, WI 53201-0702

Copyright © 2010. Tous droits réservés. Aucune partie de ce manuel ne peut être reproduite ou transmise sous n'importe quelle forme sans l'autorisation expresse écrite de Briggs & Stratton Power Products Group, LLC.

Table des matières

Directives de sécurité importantes	4
Installation	7
Responsabilités du détaillant/de l'entrepreneur chargé de l'installation	7
Vérification de la livraison	7
Contenu de la boîte	7
Le système de combustible gazeux	10
Consommation de combustible	12
Grosueur du tuyau de combustible	12
Connexions de système	13
Mise à la masse de la génératrice	14
Système de détection des pannes	15
Tableau de commande du système	15
Considérations pour l'installation finale	16
Réglage du moteur	17
Essai de la procédure d'arrêt	18
Conversion du combustible	19
Commandes	19
Fonctionnement	20
Séquence de fonctionnement automatique	20
Réglage de la minuterie du cycle d'exercice	20
Vérification installation	21

Not for
Reproduction

Veillez conserver ces instructions

Directives de sécurité importantes

CONSERVEZ CES DIRECTIVES – Ce manuel renferme d'importantes directives qu'il faut suivre durant l'installation et l'entretien de la génératrice et des batteries.

Symboles de sécurité et leur signification



Explosion



Feu



Choc électrique



Emanations toxiques



Parties en mouvement



Surface chaude



Auto démarrage



Pression explosive



Brûlures chimiques



Risque de levage



Lire le manuel

▲ Le symbole d'alerte de sécurité indique un risque potentiel de blessure personnelle. Un mot signal (DANGER, AVERTISSEMENT ou ATTENTION) est utilisé avec un symbole d'alerte pour vous indiquer le degré ou le niveau du risque. Un symbole de sécurité peut être utilisé pour représenter le type de risque. Le mot signal AVIS est utilisé pour traiter les pratiques qui ne sont pas reliées aux blessures personnelles.

▲ Le mot signal **DANGER** indique un danger qui, s'il n'est pas évité, *causera* la mort ou des blessures graves.

▲ Le mot signal **AVERTISSEMENT** indique un risque qui, s'il n'est pas évité, *pourrait causer* la mort ou des blessures graves.

▲ Le mot signal **ATTENTION** indique un risque qui, s'il n'est pas évité, *pourrait causer* des blessures mineures ou modérées.

Le mot **AVIS** est utilisé pour les pratiques qui ne sont pas reliées aux blessures personnelles.

Le fabricant ne peut anticiper toutes les circonstances potentielles pouvant comporter un danger. Par conséquent, les avertissements contenus dans le présent manuel, ainsi que les plaques et les décalques apposés sur l'unité n'englobent pas toutes les possibilités. Si vous utilisez une procédure, une méthode de travail ou une technique d'opération non spécifiquement recommandée par le fabricant, vous devez vous assurer qu'elle ne compromet pas votre sécurité ni celle des autres. Vous devez également vous assurer que la procédure, la méthode de travail ou la technique d'opération que vous choisissez ne rende pas la génératrice dangereuse.

▲ **AVERTISSEMENT** Le moteur, lorsqu'il fonctionne, produit du monoxyde de carbone, un gaz toxique inodore et incolore.



L'inhalation du monoxyde de carbone peut causer des maux de tête, de la fatigue, des étourdissements, le vomissement, de la confusion, des crises épileptiques, des nausées, l'évanouissement ou la mort.

- Faites fonctionner le générateur SEULEMENT à l'extérieur.
- Installez un avertisseur de monoxyde de carbone à piles près des chambres à coucher.
- Évitez que les gaz d'échappement entrent dans un espace restreint, par une fenêtre, une porte, une prise d'aération ou toute autre ouverture.

▲ **AVERTISSEMENT** L'échappement du moteur de ce produit contient des produits chimiques que l'État de Californie considère comme causant le cancer, des déformations à la naissance ou d'autres dangers concernant la reproduction.

▲ **AVERTISSEMENT** Certains composants de ce produit ainsi que les accessoires reliés contiennent des produits chimiques reconnus par l'État de la Californie comme causant des cancers, des malformations congénitales, ou d'autres problèmes de reproduction. Nettoyez-vous les mains après la manipulation.

▲ AVERTISSEMENT Les batteries d'accumulateur produisent du gaz hydrogène explosif lorsqu'elles se rechargent. La plus petite étincelle enflammera l'hydrogène et provoquera une explosion.



Le liquide d'électrolyte de l'accumulateur contient de l'acide et est extrêmement caustique. Le contact avec le liquide de l'accumulateur provoquera de graves brûlures chimiques. Toute batterie présente un risque de choc électrique et de courant de court-circuit élevé.

- NE jetez PAS la batterie dans un feu. Recyclez la batterie.
- Ne laissez aucune flamme, étincelle, source de chaleur ou cigarette allumée pendant ou plusieurs minutes suivant la charge de l'accumulateur.
- N'ouvrez PAS ni N'endommagez la batterie.
- Portez des lunettes de sécurité ainsi qu'un tablier, des bottes et des gants en caoutchouc.
- Enlevez votre montre, vos bagues et tout autre objet de métal.
- Utilisez des outils avec des poignées isolées.

▲ AVERTISSEMENT Le gaz propane et le gaz naturel sont extrêmement inflammables et explosifs. Le feu ou l'explosion risque de provoquer des blessures graves, pouvant être fatales.



- Installez le système d'alimentation de combustible conformément et NFPA 37 aux codes applicables aux combustibles et aux gaz.
- Avant de mettre en service le générateur d'état d'attente, il faut purger adéquatement les lignes d'alimentation de combustible et les tester pour les fuites.
- Une fois le système installé, vous devez vérifier le système de combustible sur une base régulière.
- Aucune fuite ne peut être tolérée.
- NE faites PAS fonctionner le moteur si vous sentez une odeur de combustible ou si d'autres conditions d'explosion sont présentes.
- Abstenez-vous de fumer près de la génératrice. Essayez immédiatement tout déversement d'huile. Assurez-vous de ne laisser aucun matériau combustible dans le compartiment de la génératrice. Gardez la zone autour de la génératrice propre et sans débris.

▲ ATTENTION L'installation du fusible pourrait causer le démarrage du moteur.



- Prenez note que, avant l'expédition, le fusible de 1 Ampères a été retiré du panneau électrique.
- N'installez PAS ce fusible avant que toute la plomberie et le câblage n'aient été complétés et vérifiés.

▲ AVERTISSEMENT Le générateur produit une tension élevée. Ne pas relier le générateur à la terre risque de provoquer des électrocutions.



NE PAS isoler le générateur de l'installation électrique risque de provoquer des blessures ou même d'être fatal pour les ouvriers électriciens et de causer des dommages au générateur dus à un "backfeed" d'énergie électrique

- Lorsque vous utilisez le générateur comme source d'énergie de secours, il est nécessaire d'aviser les services publics d'électricité.
- NE touchez PAS aux fils ou aux prises dénudés.
- N'utilisez PAS le générateur avec des cordons électriques usés, effilochés ou dénudés, ou abîmés de quelque sorte que ce soit.
- NE manipulez PAS le générateur ou les cordons d'alimentation lorsque vous êtes debout dans l'eau, pieds nus ou avec les mains ou les pieds humides.
- Si vous devez travailler aux environs d'une unité alors qu'elle est en marche, placez-vous sur une surface sèche isolée afin de réduire les risques de choc électrique.
- NE laissez PAS des personnes non qualifiées ou des enfants se servir ou réparer le générateur.
- En cas d'accident causé par un choc électrique, procédez immédiatement à la mise hors tension de l'alimentation électrique et contacter des autorités locales. **Évitez tout contact direct avec la victime.**
- En dépit de la conception sécuritaire du groupe électrogène, le fait d'opérer l'équipement de façon imprudente, de ne pas l'entretenir ou d'être négligent peut causer des blessures et la mort.
- Demeurez alerte en tout temps lorsque vous travaillez sur cet équipement. NE travaillez JAMAIS sur l'équipement si vous êtes fatigué physiquement ou mentalement.
- Avant de procéder à tout entretien sur la génératrice, débranchez tout d'abord le câble de batterie identifié par **NEGATIVE, NEG** ou (-). Rebranchez le câble après avoir terminé.
- Une fois votre groupe électrogène installé, la génératrice peut se lancer et démarrer sans avertissement lorsque survient une panne électrique. Pour prévenir des blessures potentielles, **AVANT** de travailler sur l'équipement, réglez toujours l'interrupteur de système sur **OFF**, ET enlevez le fusible de 15 Ampères.

▲ ATTENTION Les vitesses de fonctionnement excessivement élevées augmentent les risques de blessure ou risquent d'endommager la génératrice. Des vitesses excessivement lentes produisent une charge importante pour la génératrice.

- NE trafiquez PAS la vitesse régulée. Le générateur produit une fréquence nominale et une tension correctes lorsqu'il fonctionne à une vitesse régulée.
- NE modifiez PAS le générateur d'aucune façon.

⚠ AVERTISSEMENT Tout contact avec la zone du silencieux peut causer des brûlures graves. La chaleur et les gaz d'échappement peuvent enflammer des matériaux combustibles et les structures ainsi que causer un incendie.



- NE touchez PAS aux pièces chaudes et évitez le contact avec les gaz d'échappement.
- Laissez l'équipement refroidir avant de le toucher.
- N'installez PAS la génératrice à moins de 1,5 m (5 pi) de tous matériaux combustibles ou structures comportant des murs combustibles dont le degré de résistance au feu est de moins d'une heure.
- Laissez au moins les distances minimum indiquées dans les *Directives générales* concernant l'emplacement afin de vous assurer d'un refroidissement approprié de la génératrice et des dégagements requis pour l'entretien.
- L'utilisation ou le fonctionnement d'un moteur sur un terrain boisé, couvert de broussailles ou gazonné constitue une violation dans l'État de la Californie, en vertu de la section 4442 du California Public Resources Code, à moins qu'il ne soit doté d'un pare-étincelles tel que défini dans la section 4442 et maintenu en bon état de fonctionnement. Il se peut que d'autres États ou d'autres compétences fédérales aient des lois semblables. Communiquez avec le fabricant, le détaillant ou le concessionnaire original de l'appareil afin d'obtenir un pare-étincelles conçu pour le système d'échappement installé sur ce moteur.
- Les pièces de rechange doivent être identiques aux pièces d'origine et être installées à la même position.

⚠ AVERTISSEMENT Démarreur et autres tournures peut empêtrer mains, cheveux, vêtement, ou accessoires.



- N'utilisez JAMAIS la génératrice sans bâtis, couvercles ou gardes de protection installés.
- NE portez PAS de vêtements lâches, de bijoux ou tout ce qui risquerait d'être pris dans le démarreur ou toute autre pièce rotative.
- Embouteiller des cheveux longs et enlève la bijouterie.
- Avant l'entretien, ôtez le fusible de 15 ampères du tableau de commande et débranchez le câble de batterie **Négatif (NEG ou -)**.

AVIS Dépasser la capacité de puissance ou d'ampérage du générateur risque d'endommager ce dernier et/ou les autres appareils électriques qui y sont branchés.

- Démarrez le générateur et laissez le moteur se stabiliser avant de brancher les charges électriques.

⚠ AVERTISSEMENT Tension dangereuse - Tout contact avec les lignes d'électricité peut causer un choc électrique ou des brûlures. Risque de levage/Objet lourd - Peut entraîner un claquage musculaire ou des blessures au dos.



- Si vous utilisez un appareil de levage, prenez garde de NE PAS toucher aux lignes d'électricité.
- NE soulevez ni ne déplacez PAS la génératrice sans aide.
- NE soulevez PAS l'unité par sa partie supérieure car cela endommagera la génératrice.

AVIS Un traitement inapproprié du générateur risque de l'endommager et de raccourcir sa durée d'utilisation.

- Ne vous servez du générateur que pour les utilisations prévues.
- Si vous avez des questions concernant les utilisations prévues, demandez à votre distributeur ou revendeur autorisé.
- Ne faites fonctionner le générateur que sur des surfaces horizontales.
- Des débits d'air de refroidissement et d'aération adéquats sont nécessaires au bon fonctionnement de la génératrice.
- Lorsque l'unité est en marche, il faut que les portes soient installées.
- N'exposez pas le générateur à une humidité excessive, à de la poussière, à de la saleté ou à des vapeurs corrosives.
- Demeurez alerte en tout temps lorsque vous travaillez sur cet équipement. Ne travaillez jamais sur l'équipement si vous êtes fatigué physiquement ou mentalement.
- Ne démarrez jamais le moteur sans son filtre à air ou sans le couvercle du filtre à air.
- N'insérez aucun objet dans les fentes de refroidissement.
- N'utilisez pas la génératrice ni aucune partie de celle-ci comme palier. Le fait de marcher sur l'unité peut causer des contraintes et briser des pièces. Cela peut résulter en des conditions de fonctionnement dangereuses à cause d'une fuite de gaz d'échappement, de combustible, d'huile, etc.
- Si les appareils branchés sont en surchauffe, éteignez-les et débranchez-les du générateur.
- Arrêtez le générateur si :
 - la puissance électrique est inexistante;
 - l'équipement produit des étincelles, de la fumée ou des flammes;
 - l'unité vibre excessivement.

Installation

Description de l'équipement

Ce produit est conçu pour être utilisé comme groupe électrogène optionnel fournissant une source d'électricité alternative et pour desservir des charges comme le chauffage, les systèmes de réfrigération et les systèmes de communication qui, lorsqu'ils sont arrêtés durant une panne d'électricité, peuvent causer des inconforts ou autre. Ce produit ne se qualifie pas comme groupe électrogène d'urgence tel que défini par la NFPA 70 (NEC).

Tout a été fait pour s'assurer que les renseignements contenus dans le présent guide soient exacts et à jour. Toutefois, le fabricant se réserve le droit de changer, de modifier ou encore d'améliorer le système en tout temps et ce, sans préavis.

Seuls des entrepreneurs en électricité et en plomberie qualifiés devraient procéder à l'installation des groupes électrogènes. Toute installation doit être conforme à tous codes de sécurité applicables, ainsi qu'aux normes et à la réglementation de l'industrie.

Responsabilités du propriétaire

- Vous devez lire et suivre les instructions indiquées dans le Manuel d'utilisation.
- Établissez un programme d'entretien, de soins et d'utilisation régulier de votre groupe électrogène, tel qu'indiqué dans le Manuel d'utilisation.

Si vous avez des questions à propos de l'utilisation prévue de cet appareil, consultez votre installateur ou votre détaillant ou téléphonez au **(800) 743-4115** de 8 h à 17 h HNC.

Responsabilités du détaillant/de l'entrepreneur chargé de l'installation

- Vous devez lire et respecter les règles de sécurité décrites dans le manuel d'utilisation.
- Installez uniquement un commutateur de transfert homologué UL qui est compatible avec le groupe électrogène.
- Vous devez lire et suivre les instructions indiquées dans le présent guide d'installation.

Lorsque la génératrice est utilisée à des températures inférieures à 5 °C (40 °F), il est fortement recommandé d'installer un chauffe-batterie. Cet article est disponible chez votre revendeur de services sur place.

Précautions lors du déballage

L'unité est boulonnée à son berceau de montage pour l'expédition et est prête à être branchée. Prenez soins d'éviter les dommages causés par une chute, un choc, une collision, etc. Entrez et déballez la boîte dans le bon sens, tel qu'indiqué sur le carton d'expédition.

Vérification de la livraison

Après avoir enlevé le carton, examinez avec soin les éléments de la génératrice pour tout dommage subi durant l'expédition.

Au moment de la livraison, si vous remarquez des dommages ou des pièces manquantes, demandez au livreur de noter tous les dommages sur la facture de fret et d'apposer sa signature dans l'espace réservé à cette fin. Après la livraison, si vous remarquez des pièces manquantes ou des dommages, mettez les pièces endommagées de côté et communiquez avec le transporteur pour connaître les procédures de réclamation. Les pièces manquantes ou endommagées ne sont pas garanties.

Contenu de la boîte

Le Groupe électrogène est livré avec les éléments suivants:

- Berceau de montage préfixé
- Système de lubrification viabilisé
- Raccord de combustible flexible
- Guide d'installation et de démarrage
- Manuel d'utilisation
- Manuel d'utilisation du moteur
- Liste de vérification d'installation
- Clés pour la porte d'accès
- Fusible de rechange de 15 ampères ATO
- Connecteur de tableau de commande à deux mâle
- Connecteur de tableau de commande à dix mâle
- Bac de vidange d'huile
- Peinture de retouche
- Sac pour le toit
- Trousse du conversion du combustible
- Trousse du voyant DEL à distance (DEL/plaque/vis)

Articles non fournis :

- Batterie de démarrage (voir p. 16)
- Conduit et fil de branchement
- Vannes/tuyauterie d'alimentation en combustible
- Grue, sangles de levage, chaînes ou câbles
- Poinçons à trous pour acier d'épaisseur 16
- Tournevis à couple, plage de 5 à 50 pouces-livres
- Voltmètre/fréquence-mètre

Emplacement du génératrice d'état d'attente

Avant d'installer la génératrice, consultez le propriétaire et faites-lui part des directives suivantes, qui pourraient affecter son choix d'emplacement désiré.

Placez la génératrice dans un endroit bien ventilé qui permet l'élimination des gaz d'échappement mortels. N'installez pas la génératrice dans un endroit où les gaz d'échappement pourraient s'accumuler et pénétrer ou être aspirés dans un édifice qui pourrait être occupé. Assurez-vous que les gaz d'échappement ne puissent entrer par une fenêtre, une porte, une prise d'aération ou une autre ouverture qui pourrait leur permettre de s'accumuler dans un espace restreint. Tenez aussi compte des vents dominants et des courants d'air au moment de choisir l'endroit où vous installerez la génératrice.

⚠ AVERTISSEMENT Le moteur, lorsqu'il fonctionne, produit du monoxyde de carbone, un gaz toxique inodore et incolore.



L'inhalation du monoxyde de carbone peut causer des maux de tête, de la fatigue, des étourdissements, le vomissement, de la confusion, des crises épileptiques, des nausées, l'évanouissement ou la mort.

- Faites fonctionner le génératrice SEULEMENT à l'extérieur.
- Installez un avertisseur de monoxyde de carbone à piles près des chambres à coucher.
- Évitez que les gaz d'échappement entrent dans un espace restreint, par une fenêtre, une porte, une prise d'aération ou toute autre ouverture.

⚠ AVERTISSEMENT La chaleur et les gaz d'échappement peuvent enflammer des matériaux combustibles et les structures ainsi que causer un incendie.

- N'installez PAS la génératrice à moins de 1,5 m (5 pi) de tous matériaux combustibles ou structures comportant des murs combustibles dont le degré de résistance au feu est de moins d'une heure.

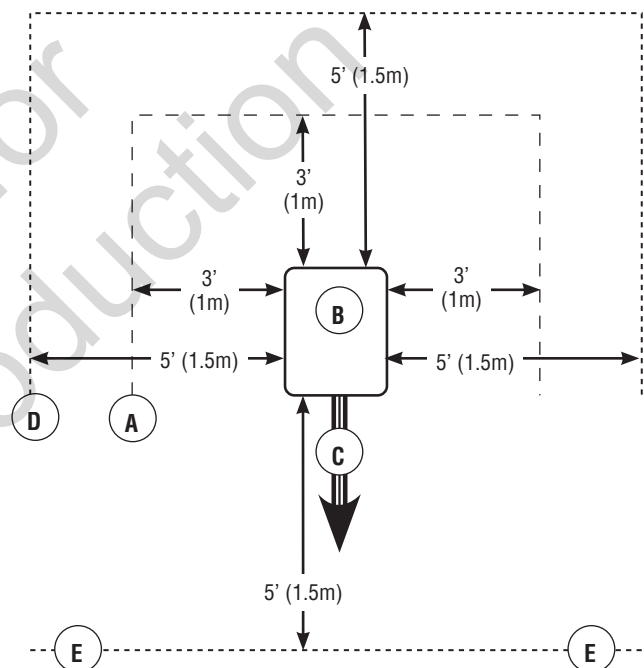
Directives générales concernant l'emplacement

- Installez l'unité à l'extérieur SEULEMENT.
- Placez l'unité dans un endroit préparé à cet effet qui soit plat et muni d'un drain pour l'écoulement des eaux.
- Installer l'appareil dans un endroit où l'évacuation d'une pompe de puisard, l'écoulement des gouttières et du toit, l'irrigation d'aménagement paysagé ou un système de pulvérisation d'eau n'entraînera pas une inondation de l'appareil, l'arrosage du boîtier ou l'entrée d'eau par l'admission d'air ou les ouvertures de sortie.

- Installez l'appareil dans un endroit où les services (incluant les services couverts, enfermés et souterrains), dont le téléphone, l'électricité, l'alimentation en combustible, l'irrigation et la climatisation, ne seront pas touchés ou obstrués.
- Installez l'unité là où les ouvertures pour l'entrée et la sortie d'air ne seront pas obstruées par les feuilles, le gazon, la neige, etc. Si des vents dominants causent des bourrasques ou des amoncellements, il faut construire un brise-vent pour protéger l'unité.
- Installez la génératrice aussi près que possible du système automatique de transfert d'énergie afin de réduire la longueur des fils et du conduit.

La loi ou les codes locaux peuvent réglementer la distance entre le génératrice d'état d'attente et la source d'alimentation en combustible.

L'illustration suivante montre les dégagements minimum à partir d'une vue aérienne de la génératrice (B) vers les matériaux combustibles (D) et non combustibles (A).



A Matériau ou structure non combustible avec une durée de résistance au de 1 heure.

B Génératrice résidentielle auxiliaire

C Échappement du moteur (sortie verticale par rapport au boîtier)

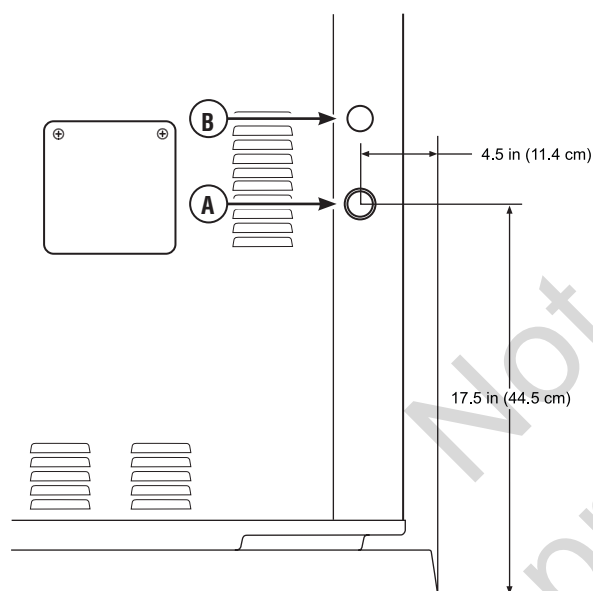
D Matériau ou structure combustible avec une durée de résistance au feu de 1 heure ou moins.

E Tout matériau ou structure. NE connectez PAS (A) et/ou (D) à (E).

- Ces distances sont données afin de procurer des directives reliées à l'emplacement de la génératrice relativement aux combustibles, au refroidissement de la génératrice et à l'entretien SEULEMENT.
- Les distances minimum sont indiquées sur l'illustration. Les quatre côtés de la génératrice ne peuvent être dans un espace fermés ou limités, même si les distances minimum sont respectées. NE connectez PAS (A) et/ou (D) à (E).
- Un toit ne peut être installé.
- Il ne faut pas que le gaz d'échappement (C) s'accumule.

Emplacements de l'admission du combustible et de l'entrée électrique

Le connecteur de prise de carburant de 3/4 pouce N.P.T. (A) et l'endroit électrique d'admission (B) est montré:



Le générateur d'état d'attente a été fixé à son berceau de montage avant l'expédition. Sauf si stipulé par un code local, aucune dalle en béton n'est nécessaire.

Si le code local exige une telle dalle, coulez une dalle de béton mesurant au moins 3 pouces (7,5 cm) d'épaisseur et six pouces plus long et plus large que l'unité elle-même. À l'aide de boulons d'ancrage de maçonnerie de 1/4 po (0,64 cm) de diamètre (au minimum) et suffisamment longs pour retenir l'unité, fixez l'unité à la dalle.

Soulèvement de la génératrice

La génératrice pèse plus de 155 kg (340 livres). Il faut utiliser des outils et de l'équipement appropriés et recourir à un personnel qualifié pour chacune des phases de manipulation et de déplacement de l'unité.

⚠ AVERTISSEMENT Tension dangereuse - Tout contact avec les lignes d'électricité peut causer un choc électrique ou des brûlures. Risque de levage/Objet lourd - Peut entraîner un claquage musculaire ou des blessures au dos.



- Si vous utilisez un appareil de levage, prenez garde de NE PAS toucher aux lignes d'électricité.
- NE soulevez ni ne déplacez PAS la génératrice sans aide.
- NE soulevez PAS l'unité par sa partie supérieure car cela endommagera la génératrice.

Il y a des pochettes de levage dans chaque coin, entre la base de la génératrice et son berceau de montage. À l'aide de la peinture pour retouche fournie, effectuez les retouches de peinture pour toute surface écaillée.

Portes d'accès

La génératrice résidentielle est dotée de plusieurs ouvertures d'accès et d'un toit amovible pour l'entretien simple relié à l'huile et au filtre.

Pour enlever le toit :

Retirez les quatre vis et soulevez le toit. Remplacez le toit dans l'ordre inverse.

Pour enlever le couvercle d'accès :

Retirez les deux vis, inclinez le couvercle vers l'extérieur et enlevez le couvercle du panneau. Remplacez le couvercle dans l'ordre inverse.

Pour enlever le panneau latéral (au besoin) :

1. Enlevez le toit.
2. Enlevez les vis fixant le panneau latéral.

▲ AVERTISSEMENT Tout contact avec la zone du silencieux peut causer des brûlures graves.



- NE touchez PAS aux pièces chaudes et évitez le contact avec les gaz d'échappement.
- Laissez l'équipement refroidir avant de le toucher.

3. Tirez le panneau vers l'extérieur (en l'éloignant) de l'appareil en tirant le panneau vers le haut et en l'éloignant de la base.

Pour installer le panneau latéral :

1. Guidez le bas de la surface latérale dans la base.
2. Poussez le panneau jusqu'à ce qu'il s'aligne avec les côtés.
3. Remplacez les vis du panneau.
4. Remplacez le toit et les vis.

Un jeu de clés identiques est fourni avec chaque génératrice résidentielle. Ces clés s'adaptent aux serrures qui verrouillent les portes d'accès.

Pour ouvrir une porte d'accès :

1. Insérez une des clés dans la serrure de la porte d'accès que vous souhaitez ouvrir et tournez la clé d'un quart de tour dans le sens antihoraire.
2. Saisissez la poignée de la porte et tournez-la d'un quart de tour dans le sens antihoraire pour l'ouvrir. Retirez la clé.

Pour fermer une porte d'accès :

1. Fermez la porte et tournez la poignée de la porte d'un quart de tour dans le sens horaire.
2. Insérez une des clés dans la serrure de la porte d'accès et tournez la clé d'un quart de tour dans le sens horaire. Retirez la clé.

Le système de combustible gazeux

Les renseignements ci-dessous aideront les techniciens en systèmes de combustible gazeux à concevoir les installations. Ces renseignements ne doivent en aucun cas être interprétés de façon à aller à l'encontre des codes applicables aux combustibles gazeux. Si vous avez des questions ou des problèmes, consultez votre fournisseur de combustible local ou votre chef des pompiers.

▲ AVERTISSEMENT Le gaz propane et le gaz naturel sont extrêmement inflammables et explosifs.



Le feu ou l'explosion risque de provoquer des blessures graves, pouvant être fatales.

- Le gaz de pétrole liquéfié est plus lourd que l'air et s'accumule près du sol.
- Le gaz naturel est plus léger que l'air et s'accumule en hauteur.
- Même la plus petite étincelle peut enflammer ces combustibles et causer une explosion.
- N'allumez PAS de cigarette ou ne fumez pas à proximité de l'appareil.

À L'INSTALLATEUR: Avant d'appliquer ces consignes générales, consultez le propriétaire du groupe électrogène et soulevez toute considération technique qui pourrait influencer sur ses plans d'installation.

Les règles générales suivantes s'appliquent à la tuyauterie utilisée dans les systèmes de combustible gazeux.

- La tuyauterie doit être fabriquée d'un matériau conforme aux codes de sécurité fédéraux et locaux; elle doit être fixée solidement et protégée contre les vibrations.
- La tuyauterie doit être protégée contre les dommages physiques aux endroits où elle traverse les massifs de fleurs, les massifs d'arbustes ainsi que les autres surfaces cultivées susceptibles de subir des dommages.

▲ ATTENTION Le connecteur ne doit pas être installé sous terre ou être en contact avec la sol.

- Il faut que toute la longueur du tuyau flexible pour combustible soit visible pour l'inspection régulière et celui-ci ne doit pas être enfoncé ni toucher ou traverser un mur, un plancher ou une cloison.

- Installez les tuyaux flexibles pour combustibles (fournis) entre l'orifice d'admission de combustible du groupe électrogène résidentiel et la tuyauterie rigide afin d'empêcher l'expansion thermique ou la contraction de causer une contrainte excessive aux matériaux de la tuyauterie.

Lorsque les conditions locales impliquent des tremblements de terre, des tornades, un sol instable ou des risques d'inondation, des considérations spéciales doivent être apportées afin d'augmenter la force et la flexibilité des supports et des raccordements de la tuyauterie.

- La tuyauterie doit être de la bonne dimension afin de maintenir les pressions d'alimentation ainsi que le débit volumétrique nécessaires sous les diverses conditions de la génératrice alors que tous les appareils au gaz sont reliés au système d'alimentation et en fonctionnement.

▲ AVERTISSEMENT Le gaz propane et le gaz naturel sont extrêmement inflammables et explosifs. Le feu ou l'explosion risque de provoquer des blessures graves, pouvant être fatales.

- Avant de mettre en service le groupe électrogène, il faut purger adéquatement les lignes d'alimentation de combustible et les tester pour les fuites.
- Aucune fuite ne peut être tolérée.

- Afin de réduire la possibilité de fuites, utilisez un scellant ou un composé pour joints de tuyauterie approuvé pour GN/GPL sur tous les raccords à visser.
- Conformément aux codes et aux normes applicables, la tuyauterie installée doit être adéquatement purgée et testée pour son étanchéité.

Tenez compte des facteurs suivants lorsque vous planifiez l'installation du système d'alimentation en combustible:

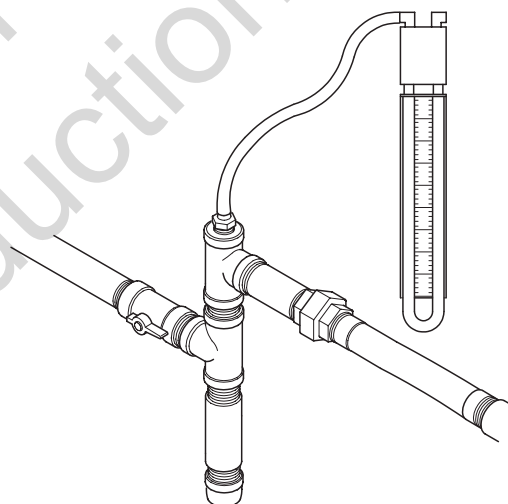
- La densité de l'air étant moindre en haute altitude, la puissance du moteur est donc réduite. En fait, la puissance du moteur sera réduite de 3,5% pour chaque 1000 pieds (300 mètres) au-dessus du niveau de la mer, et de 1% pour chaque 10° F (5,6°C) au-dessus de 77°F (25°C). Votre installateur et vous-même devriez vous assurer de tenir compte de ces facteurs au moment de déterminer la charge totale de la génératrice.
- En ce qui a trait aux systèmes bi-énergie inviolables, le moteur du groupe électrogène est conçu avec un système de carburation du combustible qui satisfait aux spécifications de la California Air Resources Board. L'unité fonctionnera avec le gaz naturel ou le propane liquéfié.
- Au moins un robinet de fermeture manuelle approuvé doit être installé sur la ligne d'alimentation en combustible à l'intérieur de 1,8 m (6 pi) du groupe électrogène résidentiel. Un raccord union ou un raccord à brides doit être installé en aval de sorte à permettre le retrait des commandes.
- La pression de ravitaillement en gaz naturel à l'orifice d'alimentation de combustible de la génératrice devrait se situer entre 5 et 7 pouces d'eau (po W.C.) à pleine capacité, lorsque tous les appareils au gaz sont sous tension et en fonction.
- La pression de ravitaillement en pétrole liquéfié devrait se situer entre 11 et 14 pouces d'eau (po W.C.) à pleine capacité, lorsque tous les appareils au gaz sont sous tension et en fonction.

Le groupe électrogène a été réglé en usine pour fonctionner au gaz naturel. Si vous devez changer le combustible principal du gaz naturel au gaz de pétrole liquéfié, il faudra reconfigurer l'unité en suivant les indications dans *Conversion de combustible*.

Il est recommandé que le raccord du combustible inclut les pièces suivantes:

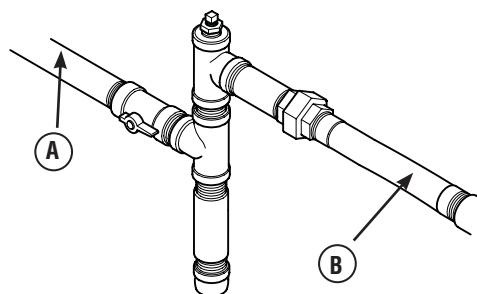
- Un robinet de fermeture manuelle du carburant situé à l'intérieur de l'édifice.
- Un robinet de fermeture manuelle du combustible situé à l'extérieur de l'édifice, juste avant la génératrice.
- La tuyauterie doit être protégée contre le gel dans les régions propices à la formation d'hydrates ou de glace. La terminaison de la tuyauterie rigide devrait inclure une trappe à sédiments dans les régions où le condensat ne gèle habituellement pas.
- Il faudrait inclure une sortie pour manomètre.

La sortie pour manomètre permet l'installation temporaire d'un manomètre. Afin de s'assurer que le moteur reçoit la pression de carburant adéquate pour fonctionner efficacement dans l'ensemble de sa plage de fonctionnement.



Un manomètre numérique, no de pièce 19495, est disponible à votre centre de service local.

Lorsque la série initiale d'essais est complétée, le manomètre est enlevé et la sortie bouchée. Voici un assemblage typique de raccord de combustible, où (A) représente l'alimentation de combustible et (B) va vers le groupe électrogène.



Consommation de combustible

Les exigences en matière d'alimentation en combustible à demi charge et à pleine charge pour le gaz naturel et la vapeur de PL sont indiquées ci-dessous.

Gaz naturel		Vapeur PL	
1/2 Charge	Pleine charge	1/2 Charge	Pleine charge
80 C	137 C	33 C	56 C
80,000 B	137,000 B	82,500 B	140,000 B
C = en pieds cubes par heure (PCH) B = BTU par heure			

Grosueur du tuyau de combustible

Les tableaux suivants indiquent la capacité maximum du tuyau en pieds cubes de gaz par heure pour des pressions de gaz de 0,5 psi ou moins et une colonne d'eau à chute de pression de 0,3 po. La densité des gaz y est indiquée.

Les valeurs indiquées compensent pour une quantité nominale de restrictions causées par les lyres de dilatation, les joints, etc. Si la tuyauterie comporte une quantité anormalement élevée de joints, de lyres de dilatation ou d'autres restrictions, reportez-vous aux codes fédéraux et locaux.

NPT	10ft	15ft	20ft	30ft	40ft	50ft	60ft	70ft	80ft	90ft	100ft
3/4"	346	293	240	192	163	145	132	120	113	106	99
1"	653	549	446	360	307	274	250	230	211	197	187

Dimensions du tuyau de gaz naturel – Tableau de débit du gaz, en pieds cubes par heure, densité=0,65

NPT	10ft	15ft	20ft	30ft	40ft	50ft	60ft	70ft	80ft	90ft	100ft
3/4"	277	192	158	126	107	95	87	79	74	69	65
1"	428	360	293	236	202	180	164	151	139	129	123

Dimensions du tuyau de gaz propane liquide (PL) – Tableau de débit du gaz, en pieds cubes par heure, densité=1,50

Dimension du réservoir de propane nécessaire

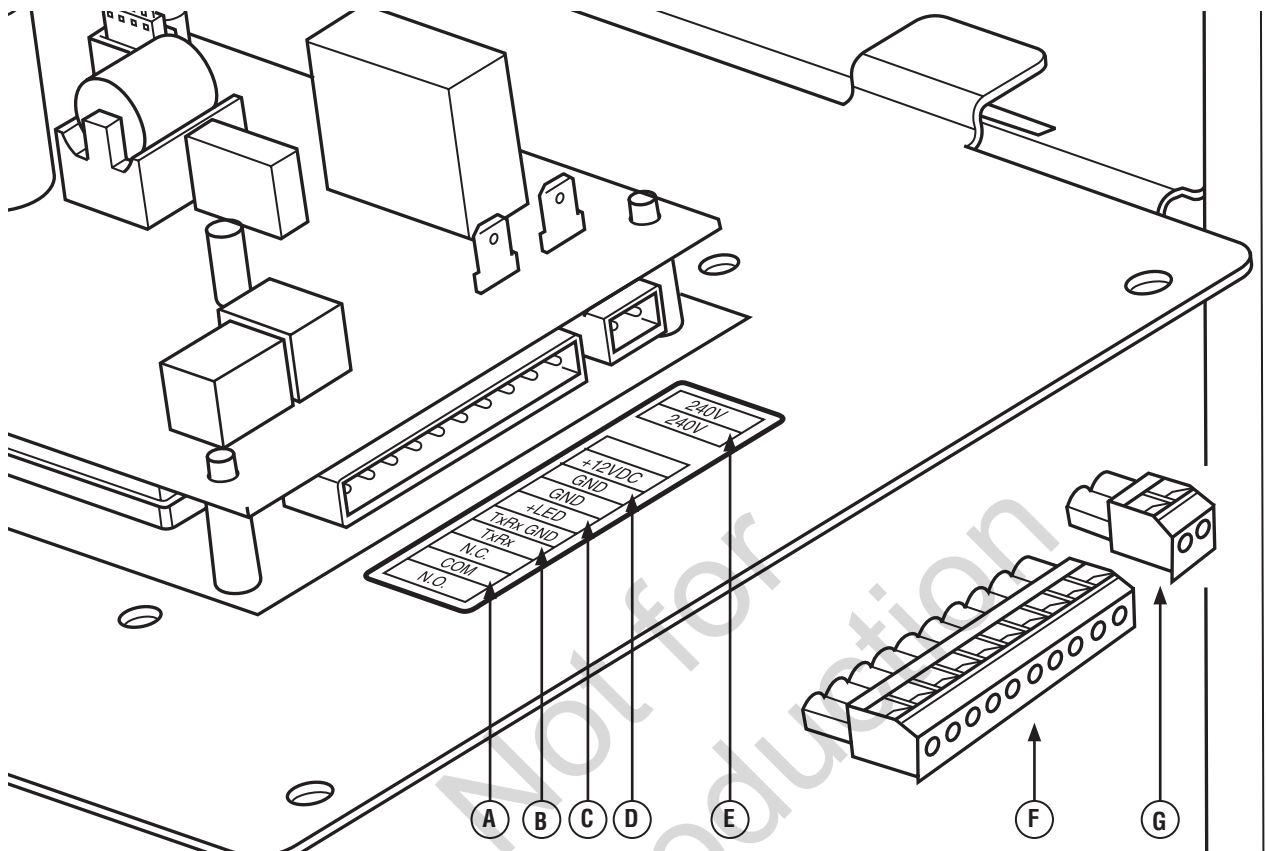
En tenant compte du débit de soutirage du gaz et de la température moyenne la plus froide en hiver, un installateur peut spécifier la dimension requise du réservoir de stockage de pétrole liquéfié:

Débit de soutirage (en pieds cubes par heure, PCH)	32° F	20° F	10° F	0° F	-10° F	-30° F	-40° F
50 PCH	115	115	115	250	250	400	600
100 PCH	250	250	250	400	500	1000	1500
150 PCH	300	400	500	500	1000	1500	2500
200 PCH	400	500	750	1000	1200	2000	2500
300 PCH	750	1000	1500	2000	2500	4000	5000

Propriétés physiques	Propane	Gaz naturel
État atmosphérique normal	Gas	Gas
Point d'ébullition (en °F): Initial Final	-44 -44	-259 -259
Valeur calorifique : Btu par gallon (LHV net*) Btu par gallon (Brut**) Pieds cubes (Gaz)	83,340 91,547 2,500	63,310 1,000
Densité***	36.39	57.75
Poids†	4.24	2.65
Octane Number: Recherche Moteur	110+ 97	110+
* PCI (Pouvoir calorifique inférieur) est la valeur nominale la plus réaliste. ** Le pouvoir calorifique supérieur ne tient pas compte de la perte de chaleur sous forme d'eau lors de la combustion. *** La densité est indiquée en "Pieds cubes de gaz par gallon de liquide".. † Le poids est indiqué en "Livres par gallon de liquide".		

Connexions de système

Sauf pour la puissance de sortie et les connecteurs de masse, tous les câbles de signaux sont branchés à des fiches de connexion à deux ou à dix broches. Comparez cette illustration à votre génératrice afin de vous familiariser avec l'emplacement des connexions importantes suivantes. Faites le décompte vers l'emplacement approprié de la broche sur le connecteur du tableau de commande car un alignement visuel avec le décalque peut être trompeur :



A - Contacts de défaillance — Utilisez les bornes NO, COM et NC pour raccorder une alarme, un voyant, etc. pour vous alerter en cas de défaillance. Les contacts changent d'état lors d'une condition de défaillance.

B - Communication du commutateur de transfert — Raccordez-vous au tableau de commande du commutateur de transfert de l'interface de communication à l'aide d'un fil de cuivre à paire torsadée de 18 AWG.

C - Sortie de panneau DEL à distance — Utilisez cette sortie pour raccorder le panneau DEL à distance

supplémentaire fourni avec la génératrice. Si certains problèmes sont détectés dans la génératrice, le panneau DEL à distance clignotera un certain nombre de fois.

D - Prise de +12 volts C.C., 5 ampères — Alimentation interne.

E - Alimentation de service de 240 volts — Utilisez pour raccorder les fils de service du commutateur de transfert à la génératrice.

F - Branchement de la prise à dix broches

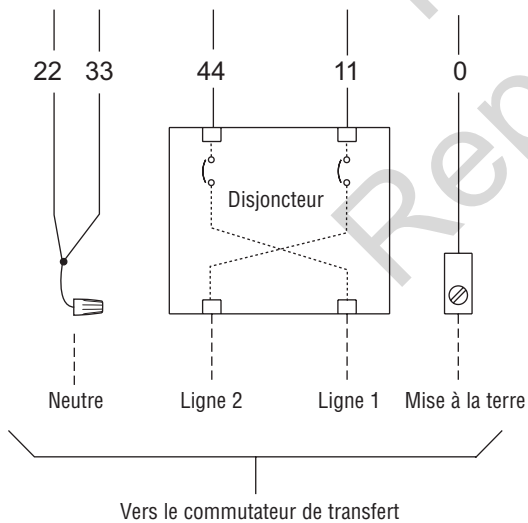
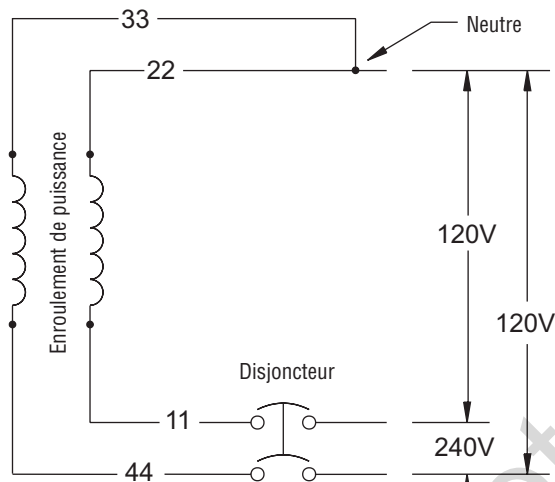
G - Branchement de la prise à deux broches

- Pour un branchement d'une puissance de sortie, utilisez un fil de cuivre du minimum volt 300, 75 °C – 90 °C d'A.W.G. de #10, (tableau 310.16, 100 pi de NEC de réf. Employez le code électrique national pour des facteurs de correction et câblez les calculs de taille.)
- Pour un branchement à une ligne d'alimentation de service, utilisez un fil de cuivre d'au moins d'A.W.G. de #14, 300 volts, 75 °C – 90 °C
- Pour une communication du commutateur de transfert, utilisez un fil de cuivre avec deux conducteurs torsadés d'A.W.G. de #18, d'une longueur maximale de 60 m (200 pieds), 300 volts, 75 °C – 90 °C.
- Ne fixez qu'un fil à chaque vis de connexion.
- Serrez les vis de la fiche de connexion à 7 lb/po (7,9 newtons-mètres).

Système de branchement C.A. de la génératrice

Un système de branchement C.A. monophasé à trois fils est utilisé pour le groupe électrogène. L'assemblage du stator est constitué d'une paire de bobines stationnaires à deux bornes sortant de chaque bobine. La jonction des fils 22 et 33 forme le fil neutre, tel qu'illustré au moyen du dessin et du schéma de câblage suivant. Vous trouverez un dessin et un schéma de câblage dans le manuel de listes de pièces illustrées.

Le neutre n'est pas raccordé à la terre au niveau de la génératrice.



Mise à la masse de la génératrice

Le groupe électrogène résidentiel doit être mis à la masse en conformité avec tous les codes, normes et réglementations applicables. La languette de contact de mise à la masse (GND) de la génératrice est située dans le panneau de commande de la génératrice, sous le couvercle des disjoncteurs.

Interconnexions du circuit de commande

Des fils de 240 V doivent être passés dans le conduit. L'alimentation de 240 V procure l'alimentation de service à la carte de circuit de la génératrice, la batterie en option et le chauffe-huile, recharge la batterie et la génératrice démarre en cas de panne électrique.

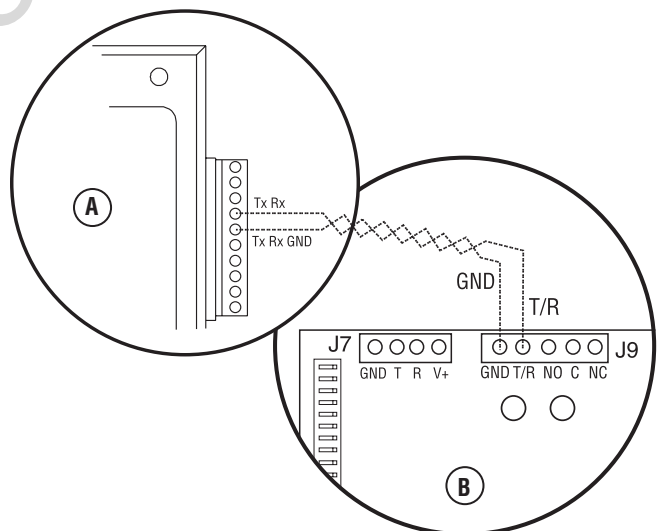
À l'aide du connecteur à 2 pôles fourni et d'un fil de cuivre d'au moins 300 V, 14 AWG, fourni par l'installateur, raccordez chaque terminal du circuit de la génératrice de commande au commutateur de transfert automatique.

Lorsque vous établissez des raccordements électriques, respectez les spécifications relatives au type de fil et au serrage se trouvant sur le disjoncteur et le raccord neutre/de mise à la terre.

Communication du commutateur de transfert

(Unités avec un ACCM II ou un plus défunt tableau de commande seulement)

En utilisant deux conducteurs torsadés de 18 AWG, pas plus de 60 m (200 pieds) de long, raccordez Tx Rx et la mise à la terre Tx Rx à partir du panneau de commande de la génératrice (A) aux bornes T/R et GND du module de commande du commutateur de transfert (B).



Système de détection des pannes

Le tableau de commande de la génératrice est doté d'un affichage numérique pour indiquer les codes de défaillance. Il affiche un code de défaillance lorsque certaines défaillances sont décelées dans le groupe électrogène. Une autre DEL et une plaque de montage sont fournies pour leur installation à l'intérieur dans un endroit pratique. Pour obtenir des renseignements plus détaillés, consultez la section *Système de détection des pannes* du manuel d'utilisation.

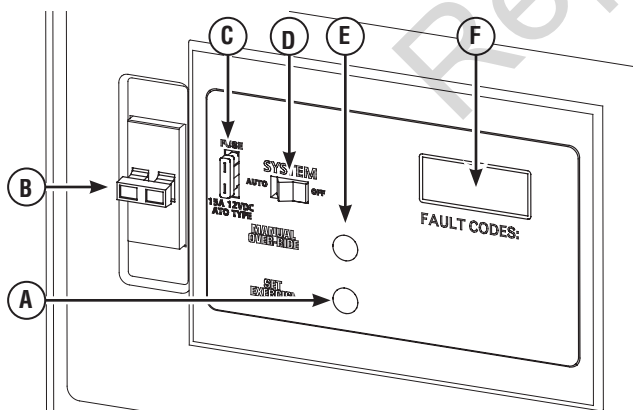
Elles permettent au propriétaire d'observer l'état du groupe électrogène. Si certains problèmes sont détectés dans le groupe électrogène, le voyant DEL à distance clignotera un certain nombre de fois. Consultez le propriétaire pour convenir d'un endroit pratique. Placez la boîte électrique dans un endroit visible par le propriétaire tel que près d'un ouvre-porte de garage ou d'un panneau de commande de sécurité.

Pour installer le panneau DEL à distance du groupe électrogène :

1. Poussez la DEL à travers la plaque de montage par l'avant jusqu'à ce qu'elle se fixe d'un coup sec. Le voyant DEL est sensible à la polarité.
2. À l'aide du connecteur à 10 pôles fourni et d'un fil de calibre minimal de 18 AWG fourni par l'installateur, branchez la DEL à distance aux connecteurs +LED et GND du tableau de commande de la génératrice. Utilisez des serre-fils pour raccorder le fil aux conducteurs de la DEL.
3. Fixez la plaque de montage au coffret électrique à faible tension fourni par l'installateur.

Tableau de commande du système

Le tableau de commande du groupe électrogène, situé à l'intérieur du bâti de la génératrice, est illustré ci-dessous.



Voici une brève description des commandes utilisées durant l'installation :

- A – SET EXERCISE** (Réglage du cycle d'exercice) – Utilisé pour régler l'heure de démarrage du cycle d'exercice.
- B - Disjoncteur** — Doit être à **ON** pour alimenter le commutateur de transfert. Le boîtier du disjoncteur comprend un panneau inférieur amovible qui facilite les raccordements de conduits.
- C - Fusible de 15 ampères** — Protège les circuits de commande CC
- D - Interrupteur du système** — Bascule entre les modes **OFF** ou **AUTO**.
- E – MANUAL OVER-RIDE** (Surpassement manuel) – Utilisé pour démarrer et arrêter manuellement la génératrice.
- F – Écran numérique** — Affiche le temps de fonctionnement en heures ou les codes de défaillance.

Consultez la section *Commandes* du manuel d'utilisation pour de plus amples renseignements.

Interrupteur du système

L'interrupteur de système constitue la commande la plus importante de la génératrice. Dans le présent document, ce dispositif à deux positions et s'utilise comme suit:

- La position normale de fonctionnement est la position "**AUTO**". Si une panne d'électricité est détectée, le système démarrera la génératrice. Lorsque l'électricité est rétablie, laissez le moteur stabiliser les températures internes, fermez la génératrice et attendez la prochaine panne d'électricité.
- La position "**OFF**" ferme la génératrice quand elle fonctionne, ce qui empêche l'unité de démarrer et de remettre à zéro toute détection de panne.

Fusible de 15 Ampères

Protège les circuits de commande C.C. de la génératrice résidentielle. Si le fusible est grillé (fondu et ouvert) ou a été enlevé, le moteur ne peut être lancé ou démarrer. Remplacez le fusible grillé uniquement par un fusible ATO de 15 A. Un fusible de rechange est fourni avec l'unité. Si le fusible est grillé ou a été enlevé, vous devrez réinitialiser la minuterie d'exercice (voir Réglage de la minuterie d'exercice).

Considérations pour l'installation finale

Huile à moteur

AVIS Toute tentative de démarrer le moteur avant qu'il ait été rempli avec l'huile recommandés entraînera une panne de l'équipement.

- Consultez la section *Entretien* des manuels d'utilisation au sujet du remplissage de l'huile.
- La garantie sera annulée si des dommages à l'équipement sont entraînés par le manquement à se conformer à cette directive.

Ce moteur a été testé en usine et est livré rempli d'huile non synthétique (SAE 5W-30). Cela permet au système de fonctionner dans une plage élargie de températures et de conditions climatiques. Avant de démarrer le moteur, vérifiez le niveau d'huile et assurez-vous que le moteur a subi l'entretien décrit dans le manuel d'utilisation du moteur.

L'utilisation de l'huile synthétique ne modifie aucunement les intervalles de changement d'huile recommandés dans le manuel d'moteur.

Batterie

L'installateur doit fournir et installer une batterie de démarrage de 12 volts C.C. rechargeable à régulation par soupape. La batterie de démarrage DOIT être conforme aux spécifications indiquées dans ce tableau.

Spécifications de la batterie	
Volts	12 volts CC
A (MIN)	350 CCA (ampérage de démarrage à froid)
Type	AGM
Matériel terminal	M8
Dimension (MAX) :	
Largeur	5.325 pouces (135mm)
Longueur	7.875 pouces (200mm)
Hauteur	6.875 pouces (175mm)

Installez la batterie de la façon décrite à la rubrique *Entretien de la batterie* de la section *Entretien* du manuel d'utilisation. Assurez-vous que le câble **NÉGATIF** est branché en dernier lieu et que l'isolateur de borne rouge **POSITIF** est bien en place.

▲ AVERTISSEMENT Les bornes, les cosses ainsi que tous les accessoires reliés à la batterie contiennent du plomb et des composés de plomb - produits chimiques reconnus par l'État de la Californie comme causant des cancers et d'autres problèmes de reproduction. Nettoyez-vous les mains après la manipulation.

Système d'alimentation en combustible

Assurez-vous que tous les raccords du tuyau de combustible sont fermement serrés et fixés et qu'il n'y a pas de fuite.

Assurez-vous que tous les robinets de fermeture de la canalisation de gaz sont en position "OPEN" et qu'une pression de combustible adéquate est disponible.

Démarrage initial (sans charge)

Avant d'utiliser ou de mettre en service le groupe électrogène, vérifiez minutieusement l'ensemble de l'installation. Commencez ensuite des essais du système sans aucun branchement de charges électriques, comme indiqué ci-dessous :

L'unité a été configurée en usine pour fonctionner au gaz naturel. La conversion de combustible, s'il y a lieu, doit être effectuée avant de suivre ces étapes (voir *Conversion du combustible*).

1. Retirez les quatre vis qui fixent le panneau de commande au boîtier pour exposer le disjoncteur de l'appareil.
2. Branchez un fréquencemètre précis du côté charge du disjoncteur principal de la génératrice.
3. Réglez le disjoncteur principal de la génératrice sur sa position **ON**.
4. Installez le fusible de 15 Ampères dans le panneau électrique.
5. Réglez l'interrupteur de système de la génératrice sur **AUTO**.
6. Maintenez le bouton **MANUAL OVER-RIDE** du tableau de commande enfoncé pendant six secondes.. Le moteur devrait s'arrêter.
Pour le démarrage initial du groupe électrogène, il faut purger l'air contenue dans les canalisations de combustible. Cela peut nécessiter quelques minutes.
7. Écoutez s'il y a des bruits ou vibrations inhabituels et soyez attentif à tout signe de fonctionnement anormal. Vérifiez s'il y a des fuites d'huile pendant que la génératrice fonctionne.
8. Laisser le moteur se réchauffer durant cinq minutes environ afin de permettre à sa température interne de se stabiliser.
9. Vérifier la tension devrait être de 239 à 262 volts, et la fréquence devrait être de 62,0 à 62,5 Hz.

Si un de ces paramètres est à l'extérieur de ces plages, effectuez les *Réglages du moteur*.

10. Vérifiez la tension de sortie de la génératrice entre une des languettes de contact generator connection et la languette de contact neutre, puis entre l'autre languette de contact de la generator connection et la languette de contact neutre. Dans les deux cas, la lecture de la tension de sortie devrait se situer entre 119 et 131 volts.

NE PAS procéder avant d'être certain que la tension C.A. et la fréquence de la génératrice sont conformes et se trouvent dans les limites stipulées. Pour obtenir la fréquence appropriée de la génératrice, voir *Réglages du moteur*.

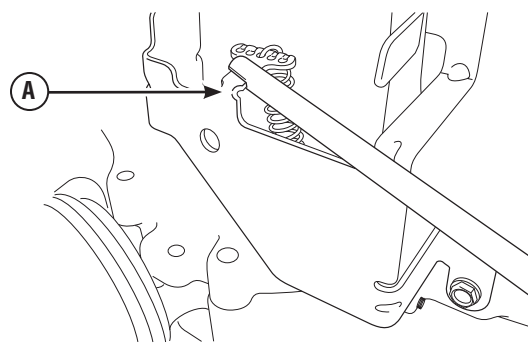
11. Poussez et tenir **MANUAL OVER-RIDE** jusqu' aux arrêts de moteur.
12. Remplacez le tableau de commande dans le boîtier.

Réglage du moteur

Il est bien connu que la combustibilité du gaz naturel varie d'une région à l'autre. Chaque unité est réglée en usine pour fonctionner adéquatement avec le gaz naturel. Si la tension de sortie ou la fréquence de la génératrice mesurée au cours de la *Démarrage initial*, s'écarte des plages indiquées, il se peut que la combustibilité du gaz fourni au site de l'installation soit très différente.

Pour régler le moteur en fonction de ce combustible différent, procédez comme suit:

1. Retirez les quatre vis qui fixent le panneau de commande au boîtier pour exposer le disjoncteur de l'appareil.
2. Branchez un fréquencemètre précis du côté charge du disjoncteur principal de la génératrice.
3. Assurez-vous que le fusible de 15 Ampères est en place.
4. Réglez le disjoncteur principal de la génératrice sur **ON**.
5. Réglez l'interrupteur de système de la génératrice sur **AUTO**.
6. Poussez **MANUAL OVER-RIDE** (surpassément manuel) sur le tableau de commande. Lorsque le moteur démarre, laissez-le se réchauffer durant cinq minutes.
7. La fréquence sans charge normale est de 62,0 à 62,5 Hz. Si un ajustement sans charge est requis, enlevez les panneaux latéraux de l'appareil. À l'aide de pinces à becs fins ou de l'outil de pliage à tenon B&S #19229 ou 19480, pliez lentement le tenon à ancrage de ressort (**A**) vers le haut ou vers le bas jusqu'à ce que la fréquence soit entre 62,0 et 62,5 Hz.



8. Mettez hors tension l'interrupteur de l'alimentation de service vers le commutateur de transfert. Le commutateur de transfert se branchera à la génératrice après un court délai.
9. Chargez la génératrice à la charge maximum.
10. Branchez un fréquencemètre précis du côté charge du disjoncteur principal de la génératrice. La fréquence devrait être supérieure à 57,0 Hz.
11. Si la fréquence est inférieure à 57,0 Hz, pliez lentement le tenon à ancrage de ressort vers le haut ou vers le bas jusqu'à ce qu'elle dépasse 57,0 Hz.
12. Mettez sous tension l'interrupteur de l'alimentation de service vers le commutateur de transfert. Le commutateur de transfert se branchera à l'alimentation de service après un court délai.
13. Poussez **MANUAL OVER-RIDE** (surpassément manuel) sur le tableau de commande jusqu' aux arrêts de moteur.
14. Lorsque le moteur est arrêté,
 - Qu'un réglage a été effectué à l'étape 11, effectuez de nouveau les étapes 2 à 7.
 - Si un réglage n'a pas été effectué à l'étape 11, passez à l'étape 15.
15. Si la fréquence sans charge chute en deçà du paramètre sans charge après qu'un réglage de pleine charge est effectué, communiquez avec un centre de service autorisé.
- 15 Remplacez le tableau de commande dans le boîtier. Remplacez ensuite les panneaux latéraux.

Essai de la procédure d'arrêt

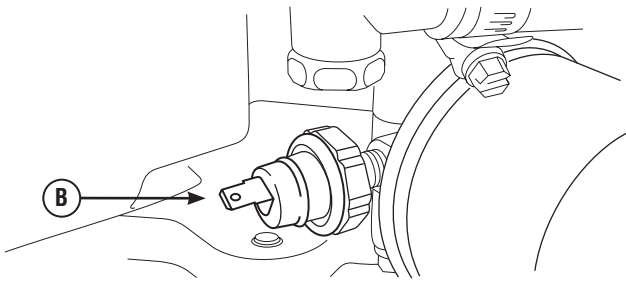
L'installateur fera des essais du système pour s'assurer que les messages de diagnostic sont montrés correctement sur l'affichage numérique du tableau de commande, comme suit

FC_1 - Low Battery (Batterie faible)

Cette défaillance ne nécessite aucune procédure d'essai.

FC_2 - Low Oil Pressure (Faible pression d'huile)

Repérez le fil 85 branché au pressostat de sécurité d'huile (A):



Raccordez un fil volant fourni par l'installateur au fil 85. Lorsque l'interrupteur de système est à la position **AUTO**, appuyez sur **MANUAL OVER-RIDE** (surpassément manuel) pour démarrer la génératrice. Lorsque la génératrice est en marche, raccordez l'autre extrémité du fil volant à un composant bien mis à la terre, comme le bloc-moteur. La génératrice s'arrêtera, et le code FC_2 s'affichera sur le tableau de commande du système. Retirez le conducteur du cavalier. Réglez l'interrupteur de système à **OFF** pendant 30 secondes pour corriger la défaillance.

FC_3 - Low Voltage (Basse tension)

Lorsque l'interrupteur de système est à la position **AUTO**, appuyez sur **MANUAL OVER-RIDE** (surpassément manuel) pour démarrer la génératrice. Lorsque la génératrice fonctionne sans charge, réglez le disjoncteur de la génératrice à **OFF**. La génératrice devrait s'arrêter, et le code FC_3 s'affichera sur le tableau de commande du système. Réglez l'interrupteur de système à **OFF** pendant 30 secondes pour corriger la défaillance. Réglez le disjoncteur à la position **ON**.

FC_4 - Engine Fails to Start (Le moteur ne démarre pas)

Lorsque la génératrice est hors tension, réglez la vanne de combustible manuelle à la position **OFF**. Lorsque l'interrupteur du système est en position **AUTO**, fermez l'alimentation de service. Le moteur se lancera pour tenter de démarrer. Après environ deux minutes d'essai de démarrage (10 secondes de lancement, 10 secondes de repos), la génératrice devrait mettre fin à l'essai, et le code FC_4 s'affichera sur le tableau de commande du système. Réglez l'interrupteur de système à **OFF** pendant 30 secondes pour corriger la défaillance. Réglez la vanne de combustible fournie par l'installateur à la position **ON**.

FC_5 - Low Frequency (Basse fréquence)

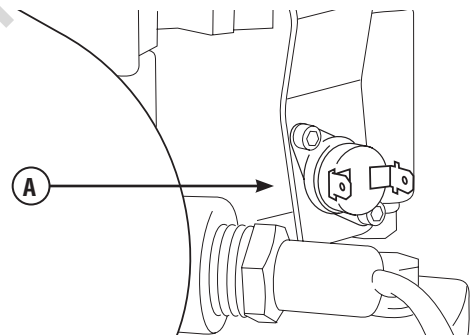
Lorsque l'interrupteur de système est à la position **AUTO**, appuyez sur **MANUAL OVER-RIDE** (surpassément manuel) pour démarrer la génératrice. Repérez le levier du régulateur puis diminuez **LENTEMENT** la vitesse du moteur. **NE** modifiez **PAS** la vitesse du moteur à l'aide de blocage du régulateur. Lorsque la génératrice fonctionne à une vitesse inférieure à 55 Hz pendant trois secondes, elle s'arrête, et le code FC_5 s'affiche sur le tableau de commande du système. Réglez l'interrupteur de système à **OFF** pendant 30 secondes pour corriger la défaillance.

FC_6 - Engine Overspeed (Emballement du moteur)

Lorsque l'interrupteur de système est à la position **AUTO**, appuyez sur **MANUAL OVER-RIDE** (surpassément manuel) pour démarrer la génératrice. Repérez le levier du régulateur puis augmentez **LENTEMENT** la vitesse du moteur. **NE** modifiez **PAS** la vitesse du moteur à l'aide de blocage du régulateur. Lorsque la fréquence de sortie de la génératrice est entre 65 et 70 Hz après trois secondes, la génératrice s'arrête, et le code FC_6 s'affiche sur le tableau de commande du système. Si la fréquence de sortie de la génératrice dépasse 70 Hz, la génératrice s'arrête immédiatement. Réglez l'interrupteur de système à **OFF** pendant 30 secondes pour corriger la défaillance.

FC_7 - High Temperature (Température élevée)

Repérez le fil 95 branché au thermocontact (B):



Raccordez un fil volant fourni par l'installateur au fil 95. Lorsque l'interrupteur de système est à la position **AUTO**, appuyez sur **MANUAL OVER-RIDE** (surpassément manuel) pour démarrer la génératrice. Lorsque la génératrice est en marche, raccordez l'autre extrémité du fil volant à un composant bien mis à la terre, comme le bloc-moteur. La génératrice devrait s'arrêter, et le code FC_7 devrait s'afficher sur le tableau de commande du système. Retirez le conducteur du cavalier. Réglez l'interrupteur de système à **OFF** pendant 30 secondes pour corriger la défaillance.

FC_8 - Transfer Switch Fault (Défaillance du commutateur de transfert)

(Unités avec un ACCM II ou un plus récent tableau de commande seulement)

Vérifiez que l'alimentation de service se rend au commutateur de transfert automatique. Lorsque l'interrupteur de système est à la position **AUTO**, retirez l'un des fusibles du commutateur de transfert. Le code FC_8 s'affichera sur le tableau de commande du système. Remplacez soigneusement le fusible dans le commutateur de transfert. Réglez l'interrupteur du système à **OFF** pendant 30 secondes pour effacer la défaillance.

Analyse des résultats de l'essai

Si l'une des procédures d'essai précédentes n'entraîne pas l'arrêt de la génératrice et l'affichage de la défaillance indiquée, corrigez la défaillance avant de remettre l'unité en service.

Conversion du combustible

Le moteur de votre système de génératrice résidentielle est calibré en usine pour utiliser le gaz naturel (GN). Il peut également fonctionner avec de la vapeur de pétrole liquéfié (PL). Une trousse de conversion au GL est nécessaire pour la conversion de l'appareil pour la vapeur de PL. La pression d'entrée du combustible de pétrole liquéfié doit se situer entre 11 à 14 pouces d'eau (po W.C.) à pleine capacité, lorsque tous les appareils au gaz sont sous tension et en fonction.

Pour configurer le système de combustible pour le pétrole liquéfié :

1. Réglez l'interrupteur de système de la génératrice sur **OFF**.
2. Retirez le fusible de 15 A du panneau de commande.
3. Retirez le toit et les panneaux latéraux.
4. Changez le gicleur principal dans le mélangeur de combustible en suivant les directives fournies avec la trousse de conversion au PL.
5. Remplacez les panneaux latéraux et le toit.
6. Réinstallez le fusible de 15 A dans le tableau de commande.
7. Réglez l'interrupteur de système de la génératrice sur **AUTO**.

Le système est maintenant prêt à fonctionner automatiquement avec de la vapeur de pétrole liquéfié.

Commandes

Toutes les commandes du système de génératrice sont décrites en détail dans le manuel de l'utilisateur. Veuillez vous y référer pour obtenir de l'information plus complète.

Fonctionnement

Séquence de fonctionnement automatique

Le panneau électrique de la génératrice contient une carte de circuit logique de commande. Ce tableau de commande contrôle constamment la tension de l'électricité de service. Si cette tension baisse sous un niveau prédéfini, le tableau de commande signalera le lancement et le démarrage du moteur.

Lorsque la tension de service est rétablie au-delà d'un niveau de tension préétabli, le moteur reçoit un signal d'arrêt.

Le fonctionnement actuel du système ne peut être modifié, et il est séquencé par des capteurs et des minuteries du tableau de commande de la manière suivante:

Capteur de désexcitation de la tension de l'alimentation de service

- Ce capteur contrôle la tension de l'alimentation de service.
- Si la tension baisse sous 70% de la tension d'alimentation nominale, le capteur amorce un décompte de 10 secondes. Le décompte sert à identifier les pannes de courant localisées.
- Lorsque le décompte est expiré, le moteur est lancé et démarre.

Capteur de prise en charge de la tension de service

Ce capteur supervise la tension d'alimentation de service. Lorsque cette tension est rétablie à 80 pour cent de la tension nominale source, un délai est déclenché et le moteur entrera en mode refroidissement du moteur.

Minuterie de refroidissement du moteur

- Lorsque la charge est transférée à nouveau à la source d'alimentation de service, la minuterie de refroidissement du moteur s'active.
- Environ une minute s'écoule avant l'arrêt de la génératrice.
- Le moteur tourne durant au moins 5 minutes.

Réglage de la minuterie du cycle d'exercice

Le groupe électrogène est muni d'une minuterie de cycle d'exercice qui se met en marche et vérifie le système une fois par semaine. Au cours de ce cycle d'exercice, l'unité fonctionne durant une douzaine de 20 minutes, puis s'arrête. Le transfert de charge électrique N'A PAS lieu durant le cycle d'exercice (sauf si une panne de courant survient).

Un bouton du tableau de commande est étiqueté « SET EXERCISE » (voir *Tableau de commande du système*). Le jour et l'heure particuliers auxquels ce bouton est pressé sont programmés dans la mémoire du tableau de commande. Ce jour et cette heure sont alors utilisés pour initialiser automatiquement le cycle d'exercice du système. La légende « SET EXERCISE » du tableau de commande clignote jusqu'à ce que le cycle d'exercice soit réglé.

Pour exécuter la procédure de réglage du cycle d'exercice:

1. Choisissez le jour et l'heure à laquelle vous désirez que le cycle d'exercice du groupe électrogène ait lieu.
2. À cette journée et heure, appuyez et maintenez enfoncé l'interrupteur "Set Exercise" pendant trois secondes. La DEL clignote jusqu'à ce que l'interrupteur soit maintenu enfoncé pendant trois secondes, puis la DEL s'allume pendant 5 secondes et s'éteint.
3. Pendant sept jours plus tard l'unité puis entreprendra son cycle d'exercice de 20 minutes.

Par exemple, si vous appuyez « SET EXERCISE » de réglage du cycle d'exercice le dimanche à 10 h, l'unité exécutera un cycle d'exercice puis fera de même tous le dimanche matin à 10 h (+/- ½ heure).

Le réglage du cycle d'exercice ne fonctionnera que si l'unité est en mode **AUTO** et que si la procédure exacte est suivie. Vous devrez reprogrammer le cycle d'exercice si vous enlevez ou remplacez le fusible de 15 A ou si la batterie de démarrage est débranchée.

Si vous voulez changer le jour et l'heure du cycle d'exercice, vous n'avez qu'à exécuter à nouveau la procédure de "Réglage de la minuterie du cycle d'exercice" le jour et à l'heure exacte à laquelle vous voulez que le cycle d'exercice ait lieu.

Vérification installation

Avant de mettre en service le groupe électrogène, vérifiez minutieusement l'ensemble de l'installation.

Tout en procédant à la vérification, remplissez la liste de vérification de l'installation. Assurez-vous que tous les éléments sont cochés et que toutes les signatures ont été obtenues. Indiquez au propriétaire qu'il doit poster la copie blanche à l'adresse indiquée sur la liste de contrôle.

Cela met fin aux directives d'installation et de démarrage. Le manuel d'utilisation renferme des explications détaillées sur l'utilisation, l'entretien et le dépannage de ce groupe électrogène.

Not for
Reproduction

Not for
Reproduction

