



# ZT XL and Zoom XL Bagger

## Owner/Operator & Parts Manual

---

**Model**

815022



# TABLE OF CONTENTS

Safety .....	3	Storage .....	20
Assembly .....	8	Troubleshooting .....	20
Removal .....	17	Specifications .....	21
Operation .....	18	Parts List .....	22
Maintenance .....	20	Warranty .....	32

## INTRODUCTION

### THE MANUAL

Before operation of unit, carefully and completely read this Manual and the unit's Owner/Operator Manual. The contents will provide you with an understanding of safety instructions and controls during normal operation and maintenance.

All reference to left, right, front, or rear are given from operator sitting in operation position and facing the direction of forward travel.

### MODEL AND SERIAL NUMBERS

Transfer model & serial number label from product registration here.

When ordering replacement parts or making service inquiries, know the Model and Serial numbers of your unit.

Numbers are located on the product registration form in the unit literature package. They are printed on a serial number label, located on the frame of your unit.

Serial Number Label  
(Under Bagger Cover)

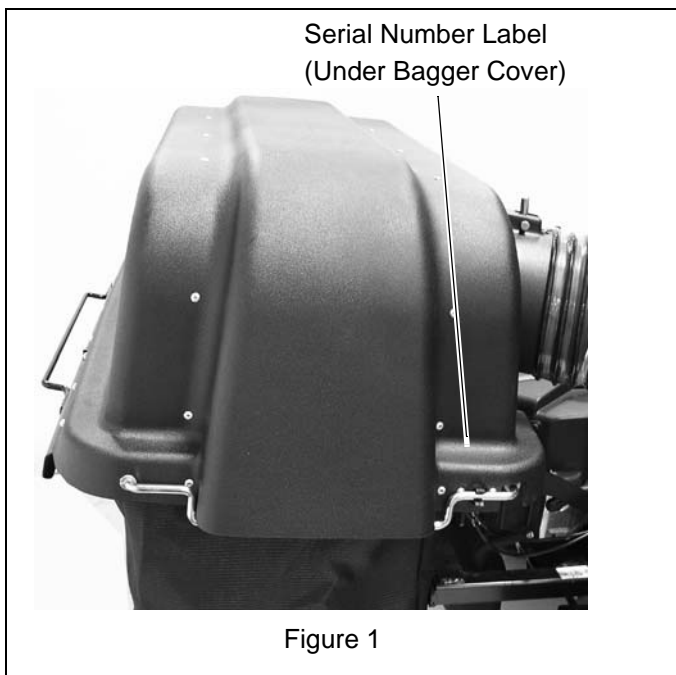


Figure 1

- Record Unit Model and Serial numbers here.

### PRODUCT REGISTRATION

The Ariens/Gravely dealer must register the product at the time of purchase. Registering the product will help the company process warranty claims or contact you with the latest service information. All claims meeting requirements during the limited warranty period will be honored, whether or not the product registration card is returned. Keep a proof of purchase if you do not register your unit.

**Customer Note:** If the dealer does not register your product, please fill out, sign, and return the product registration card to Ariens or go to [www.ariens.com](http://www.ariens.com) or [www.gravely.com](http://www.gravely.com).

### UNAUTHORIZED REPLACEMENT PARTS

Use only Ariens/Gravely replacement parts. The replacement of any part on this vehicle with anything other than an Ariens/Gravely authorized replacement part may adversely affect the performance, durability, or safety of this unit and may void the warranty. Ariens/Gravely disclaims liability for any claims or damages, whether warranty, property damage, personal injury or death arising out of the use of unauthorized replacement parts.

### DISCLAIMER


Ariens/Gravely reserves the right to discontinue, make changes to, and add improvements upon its products at any time without public notice or obligation. The descriptions and specifications contained in this manual were in effect at printing. Equipment described within this manual may be optional. Some illustrations may not be applicable to your unit.

### DELIVERY

**Customer Note:** If you have purchased this product without complete assembly and instruction by your retailer, it is your responsibility to:

1. Read and understand all assembly instructions in this manual. If you do not understand or have difficulty following the instructions, contact your nearest Ariens/Gravely Dealer for assistance. Make sure all assembly has been properly completed and safety interlock system works properly.

**NOTE:** To locate your nearest Ariens Dealer, go to [www.ariens.com](http://www.ariens.com) on the internet. To locate your nearest Gravelly Dealer, go to [www.gravelly.com](http://www.gravelly.com) on the internet.

 **WARNING:** Improper assembly or adjustments can cause serious injury.

2. Understand all Safety Precautions provided in the manuals.

3. Review control functions and operation of the unit. Do not operate unit unless all controls function as described in this manual.
4. Review recommended lubrication, maintenance and adjustments.
5. Fill out a Product Registration Card and return the card to the Ariens Company or go to [www.ariens.com](http://www.ariens.com) or [www.gravelly.com](http://www.gravelly.com).

## SAFETY

### SAFETY ALERTS



Look for these symbols to point out important safety precautions. They mean:

**Attention!**




**Personal Safety Is Involved!**


**Become Alert!**


**Obey The Message!**

The safety alert symbols above and signal words below are used on decals and in this manual.

Read and understand all safety messages.

 **DANGER: IMMINENTLY HAZARDOUS SITUATION!** If not avoided, WILL RESULT in death or serious injury.

 **WARNING: POTENTIALLY HAZARDOUS SITUATION!** If not avoided, COULD RESULT in death or serious injury.

 **CAUTION: POTENTIALLY HAZARDOUS SITUATION!** If not avoided, MAY RESULT in minor or moderate injury. It may also be used to alert against unsafe practices.

### NOTATIONS

**NOTE:** General reference information for proper operation and maintenance practices.

**IMPORTANT:** Specific procedures or information required to prevent damage to unit or attachment.

### PRACTICES AND LAWS

Practice usual and customary safe working precautions, for the benefit of yourself and others. Understand and follow all safety messages. Be alert to unsafe conditions and the possibility of minor, moderate, or serious injury or death. Learn applicable rules and laws in your area. Always follow the practices set forth in this manual.

### REQUIRED OPERATOR TRAINING

Original purchaser of this unit was instructed by the seller on safe and proper operation. If unit is to be used by someone other than original purchaser; loaned, rented or sold, ALWAYS provide this manual and any needed safety training before operation.

#### 1. WARNING!



OT12080

Stop engine and wait for all moving parts to stop before opening cover.



OT12070

Avoid tip over and loss of control:

DO NOT overload bagger.

Use extreme caution on slopes.

DO NOT make abrupt turns or speed changes.

- Weight kit is required when using bagger.
- Be aware of new turning radius.

#### 2. DANGER!



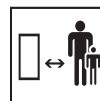
OL3030

Always keep feet and hands away from rotating parts.



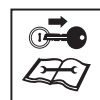
OL0910

Never direct discharge towards persons or property that may be injured or damaged by thrown objects.



OL4140

Keep people away from unit while operating.



OL4010

Shut off engine, remove key, and read manual before you adjust or repair unit.



OL4420

NO STEP! Always keep feet away from rotating parts.

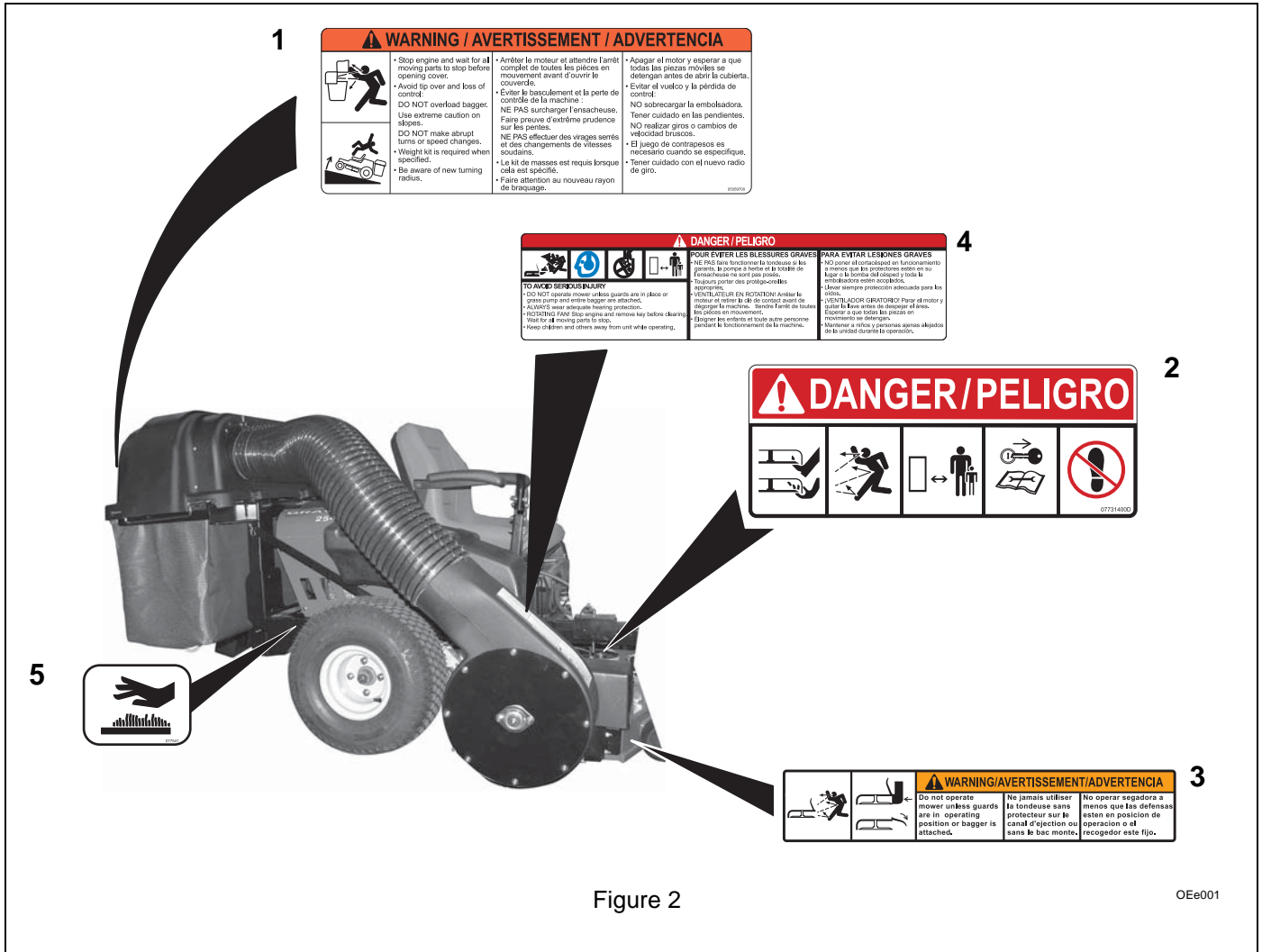


Figure 2

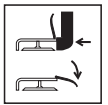
OEe001

### 3. WARNING!



OL4430

Do not operate mower unless guards are in operating position or bagger is attached.



OL3320

### 4. DANGER!



OL4840

DO NOT operate mower unless guards are in place or blower assembly and entire bagger are attached.



OL4690

ALWAYS wear adequate hearing protection.



OL0900

ROTATING FAN! Stop engine and remove key before clearing. Wait for all moving parts to stop.



OL4140

Keep children and others away from unit while operating.

### 5. HOT SURFACES



OL4850

DO NOT touch parts which are hot from operation. ALWAYS allow parts to cool.

### SAFETY RULES

Do not operate on slopes over 10°.

Installing the blower assembly on your mower requires the removal of the discharge chute and belt guard. Retain discharge chute, discharge chute hardware, belt guard, and belt guard hardware in a safe location and reinstall whenever operating unit without the blower assembly. DO NOT operate mower unless guards are in place or blower assembly and entire bagger are attached.

NEVER operate bagger if the unit's safety interlock system is not working properly.

Always be aware of maximum sweep of bagger when turning. Always allow adequate clearance between bagger, personnel and other objects when turning. As grass catcher fills, be alert to changing unit stability and control.

**Always install counterweights before operating unit with bagger attached. Always remove counterweights when bagger is removed from the unit.**

Read, understand, and follow all safety practices in Owner/Operator Manual before beginning assembly. Failure to follow instructions could result in personal injury and/or damage to unit.

ALWAYS remove key and/or wire from spark plug before assembly. Unintentional engine start up can cause death or serious injury.

Complete a walk around inspection of unit and work area to understand:

- Work area
- Your unit
- All safety decals

Determine which attachments are needed and can be used safely.

Inspect unit before each use for: missing or damaged decals and shields, correctly operating safety interlock system, and deterioration of grass bagger. Replace or repair as needed.

ALWAYS check overhead and side clearances carefully before operation. ALWAYS be aware of traffic when operating along streets or curbs.

Keep children and people away.

Keep children out of work area and under watchful care of a responsible adult.

Keep area of operation clear of all toys, pets, and debris. Thrown objects can cause injury.

Check for weak spots on docks, ramps or floors. Avoid uneven work areas and rough terrain. Stay alert for hidden hazards or traffic.

DO NOT operate near drop-offs, ditches, or embankments. Unit can suddenly turn over if a wheel is over the edge of a cliff or ditch, or if an edge caves in.

Data indicates that operators, age 60 and above, are involved in a larger percentage of riding mower related injuries. These operators should evaluate their ability to operate the riding mower safely enough to protect themselves and others from serious injury.

Read the entire Owner/Operator manual and other training material. If the operator or the mechanic cannot read the manual, it is the owner's responsibility to explain it to them. Only the user can prevent and is responsible for accidents or injuries occurring to themselves, other people or property.

Only trained adults may operate or service unit. Training includes actual operation.

Local regulations may restrict the age of the operator.

NEVER allow children to operate or play on or near unit. Be alert and shut off unit if children enter area.

NEVER operate unit after or during the use of medication, drugs or alcohol. Safe operation requires your complete and unimpaired attention at all times. DO NOT wear loose clothing or jewelry and tie back hair that may get caught in rotating parts.

Wear adequate outer garments.

NEVER wear open sandals or canvas shoes during operation. Wear adequate safety gear, protective gloves and footwear.

Wear proper footwear to improve footing on slippery surfaces.

Always wear safety goggles or safety glasses with side shields when operating mower.

Moving parts can cut or amputate fingers or a hand. Wrap blade(s) or wear gloves to service. On multiblade mowers, rotation of one blade will cause all blades to rotate.

NEVER place your hands or any part of your body or clothing inside or near any moving part while unit is running.

ALWAYS keep hands and feet away from all rotating parts during operation. Rotating parts can cut off body parts.

ALWAYS keep body and hands away from pin holes or nozzles which eject hydraulic fluid under pressure.

DO NOT touch parts which are hot. Allow parts to cool.

ALWAYS keep hands and feet away from all pinch points.

Fumes from the engine exhaust can cause death or serious injury. DO NOT run engine in an enclosed area. Always provide good ventilation.

Read, understand, and follow all instructions in the manual and on the machine before starting.

Understand:

- How to operate all controls
- The functions of all controls
- How to STOP in an emergency
- Braking and steering characteristics
- Turning radius and clearances

Keep safety devices or guards in place and functioning properly. NEVER modify or remove safety devices.

**Do not operate without either entire bagger or the discharge chute in place.**

Stop engine before removing grass catcher or unclogging chute.

Ensure Safety Interlock System is functioning properly. DO NOT operate unit if safety interlock is damaged or disabled.

Start and operate unit only when seated in operator's position. Steering control levers must be in neutral, PTO disengaged and parking brake set when starting engine.

Use care when approaching blind corners, shrubs, trees or other objects that may obscure vision.

Dust, smoke, fog, etc. can reduce vision and cause an accident. Mow only in daylight or good artificial light. Avoid slippery surfaces. Always be sure of your footing. DO NOT mow on wet grass. Reduced traction could cause sliding and effect the machine's stability. Watch for traffic when operating near or crossing roadways. Never carry passengers. DO NOT try to stabilize the machine by putting your foot on the ground. Never direct discharge towards persons or property that may be injured or damaged by thrown objects. Use extreme caution on gravel surfaces. Always stand clear of the discharge area. ALWAYS disengage PTO, stop unit and engine, remove key, engage parking brake and allow moving parts to stop before leaving operator's position. Never engage PTO while raising attachment or when attachment is in raised position. DO NOT operate at too fast a rate. DO NOT change engine governor settings or over-speed engine. Slow down before turning. DO NOT operate in reverse unless absolutely necessary. ALWAYS look down and behind before and while backing. Stop and inspect equipment if you strike an object or if there is an unusual vibration. Repair, if necessary, before restarting. Never make adjustments or repairs with the engine running. Mower blades are sharp and can cut you. Wrap the blade(s) or wear gloves, and use extra caution when servicing them. NEVER weld or straighten mower blades. Rotation of one blade may cause rotation of the other blades. Take all possible precautions when leaving unit unattended. Shut off engine. Remove wire from spark plug and secure it away from spark plug. ALWAYS remove key to prevent unauthorized use. Know the weight of loads. Limit loads to those you can safely control and the unit can safely handle. Disengage PTO when attachment is not in use. ALWAYS turn off power to attachment when travelling, crossing driveways, etc. Mow up and down slopes, not across them. Keep all movements on the slope *slow* and *gradual*. Do not make sudden changes in speed or direction. Avoid starting or stopping on the slope. If tires lose traction, disengage the blades and proceed slowly *straight* down the slope. If you cannot back up a slope or you feel uneasy on it, do not mow it. DO NOT park on slopes unless necessary. When parking on slope always chock or block wheels. Always set parking brake.

Use a slow speed. Tires may lose traction on slopes even though the brakes are functioning properly. Do not bypass transmission when on a slope. Tow only with a machine that has a hitch designed for towing. Do not attach towed equipment except at the hitch point. Follow the manufacturer's recommendations for weight limits for towed equipment and towing on slopes. NEVER allow children or others in or on towed equipment. On slopes, the weight of the towed equipment may cause loss of control. Travel slowly and allow extra distance to stop. Use extra care when loading or unloading unit onto trailer or truck. Secure unit chassis to transport vehicle. NEVER secure from rods or linkages that could be damaged. DO NOT transport machine while engine is running. ALWAYS turn off power to attachment and shut off fuel when transporting unit. Keep unit free of debris. Clean up oil or fuel spills. This product is equipped with an internal combustion type engine. DO NOT use unit on or near any unimproved, forest-covered or brush covered land unless exhaust system is equipped with a spark arrester meeting applicable local, state or federal laws. A spark arrester, if it is used, must be maintained in effective working order by operator. Fuel is highly flammable and its vapors are explosive. Handle with care. Use an approved fuel container. NO smoking, NO sparks, NO flames. ALWAYS allow engine to cool before servicing. NEVER fill fuel tank when engine is running or hot from operation. NEVER fill or drain fuel tank indoors. Replace fuel cap securely and clean up spilled fuel. Never fill containers inside a vehicle or on a truck or trailer bed with a plastic liner. Always place containers on the ground away from your vehicle before filling. When practical, remove gas-powered equipment from the truck or trailer and refuel it on the ground. If this is not possible, then refuel such equipment on a trailer with a portable container, rather than from a gasoline dispenser nozzle. Keep the nozzle in contact with the rim of the fuel tank or container opening at all times until fueling is complete. Do not use a nozzle lock-open device. If fuel is spilled on clothing, change clothing immediately. Avoid Electric Shock. Objects contacting both battery terminals at the same time may result in injury and unit damage. DO NOT reverse battery connections.

Reverse connections may result in sparks which can cause serious injury. Always connect positive (+) lead of charger to positive (+) terminal, and negative (-) lead to negative (-) terminal.

ALWAYS disconnect negative (-) cable FIRST and positive (+) cable SECOND. ALWAYS connect positive (+) cable FIRST, and negative (-) cable SECOND.

Explosive Gases from battery can cause death or serious injury. Poisonous battery fluid contains sulfuric acid and its contact with skin, eyes or clothing can cause severe chemical burns.

No flames, No sparks, No smoking near battery.

ALWAYS wear safety glasses and protective gear near battery. Use insulated tools.

DO NOT TIP battery beyond a 45° angle in any direction.

ALWAYS keep batteries out of reach of children.

Battery posts, terminals and related accessories contain lead and lead compounds, chemicals known to the State of California to cause cancer and reproductive harm.

Wash hands after handling.

ALWAYS block wheels and know all jack stands are strong and secure and will hold weight of unit during maintenance.

Release pressure slowly from components with stored energy.

NEVER attempt to make any adjustments to unit while engine is running (except where specifically recommended). Stop engine, remove key or spark plug wire and wait for all moving parts to stop before servicing or cleaning.

Check parking brake operation frequently. Adjust and service as required.

ALWAYS maintain unit in safe operating condition.

Damaged or worn out muffler can cause fire or explosion.

Maintain or replace safety and instruction labels, as necessary.

NEVER store unit with fuel in fuel tank, inside a building where any ignition sources are present.

Shut off fuel and allow engine to cool completely before storing in closed area or covering unit.

Clean grass and debris from unit, especially from around muffler and engine, to help prevent fires.

For extended storage, shut off fuel and clean unit thoroughly. See engine manual for proper storage.

Lower cutting deck unless a positive mechanical lock is used.

Use only attachments or accessories designed for your unit.

Check all hardware at regular intervals, especially blade attachment bolts. Keep all hardware properly tightened.

Check attachment components frequently. If worn or damaged, replace with manufacturer's recommended parts.

# ASSEMBLY



**WARNING:** AVOID INJURY. Read and understand the entire *Safety* section before proceeding.

## UNPACKING UNIT

**IMPORTANT:** Remove contents from carton carefully. Place cover assembly on a flat piece of cardboard to avoid scratching it.

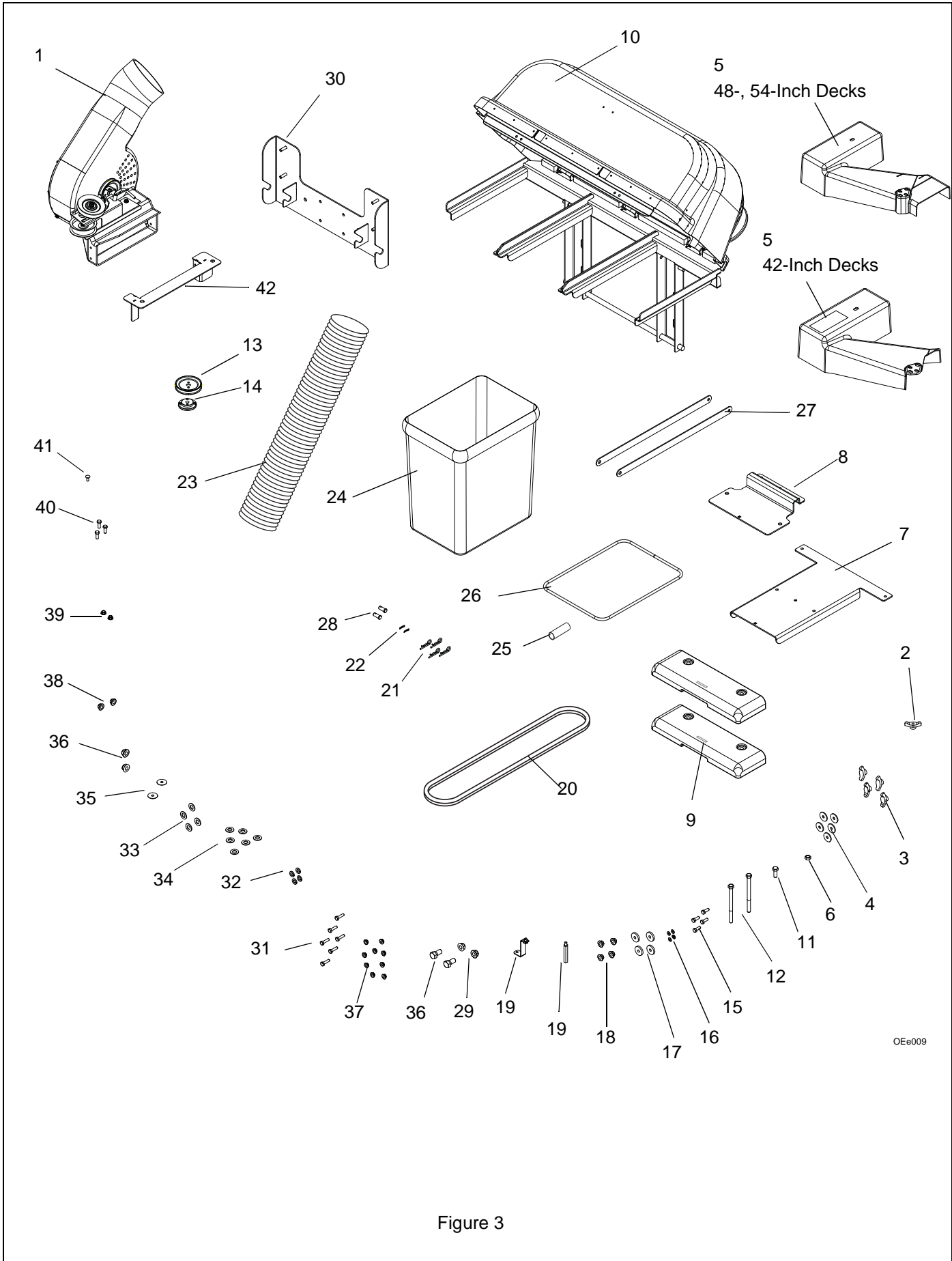
### Package Contents:

Check the contents of your kit for the parts listed below and shown in figure 3.

Item	Description	Qty	Ariens P/N
1	Blower and Idler Assembly	1	51514700
2	5/16" Wing Knob	1	07531700
3	3/8" Wing Knob	4	07019300
4	3/8" x 1-1/2 x 1/16" Washer	5	06439300 *
	3/8" x 1-1/2 x 1/16" Washer	4	06439300 **
5	42-Inch Belt Cover	1	01974800 *
	48-, 54-Inch Belt Cover	1	00389700 **
6	5/16" Locknut	1	06529800 *
7	Bagger Weight Bracket	1	03374351
8	Axle Mount Bracket	1	03374451
9	Counterweight	2	00172000
10	Cover Assembly	1	NA
11	3/8" x 1-3/4" Hex Bolt	1	05980600
12	1/2" x 5" Hex Bolt	2	05962200
13	4" Sheave	1	00169600
14	Sheave Adapter	1	00169800
15	1/4" x 1" Hex Bolt	4	05947700
16	9/32" x 5/8" Flat Steel Washer	4	06437300
17	33/64" x 1-7/16 x 1/8" Flat Steel Washer	2	06436400
18	1/4" Top Lock Flange Nut	4	06500012
19	5/16" x 2-3/4" Standoff	1	00271200 *
	XL Cover Standoff	1	03375400 **
20	42-Inch V-Belt	1	07212800
	48-Inch V-Belt	1	07216300
	54-Inch V-Belt	1	07223700
21	Hair Pin #25	4	06714800
22	External Hair Pin	2	06714900
23	Bagger Hose	1	00455400
24	Mesh Bag	3	03370700
25	3/8 x 1/2 x 3 Plastic Tube	3	00677000
26	Bag Frame	3	00663200

Item	Description	Qty	Ariens P/N
27	Strap, XL Bagger	2	03373151
28	Clevis Pin 3/8" x 3/4"	2	06814800
29	1/2" Nylon Locknut	2	06500010
30	Rear Mounting Plate	1	03373051
31	3/8" x 1" Hex Bolt	6	05948700*
	3/8" x 1" Hex Bolt	7	05948700**
32	3/8" x Lock Washer	4	06308800 *
	3/8" x Lock Washer	5	06308800 **
33	13/32" x 1-1/2 x 1/4" Washer	4	06400006
34	25/64" x 1-1/2 x 1/8" Washer	6	06441700
35	21/32" x 1-1/4 x 3/32" Washer	2	06430300
36	1/2" x 1" Hex Bolt	2	05947100
37	3/8" Nylon Locknut	9	06545500
38	1/2" Top Locknut	2	06543600
39	5/16" Nylon Locknut	1	06545400 *
	5/16" Nylon Locknut	2	06545400 **
40	3/8" x 2" Hex Bolt	3	05963300
41	5/16" x 3/4" Roundhead Squareneck Bolt	1	06215700
42	Weldment, Blower Bracket	1	03373251
* 42-Inch Mower Decks			
** 48-, 54-Inch Mower Decks			





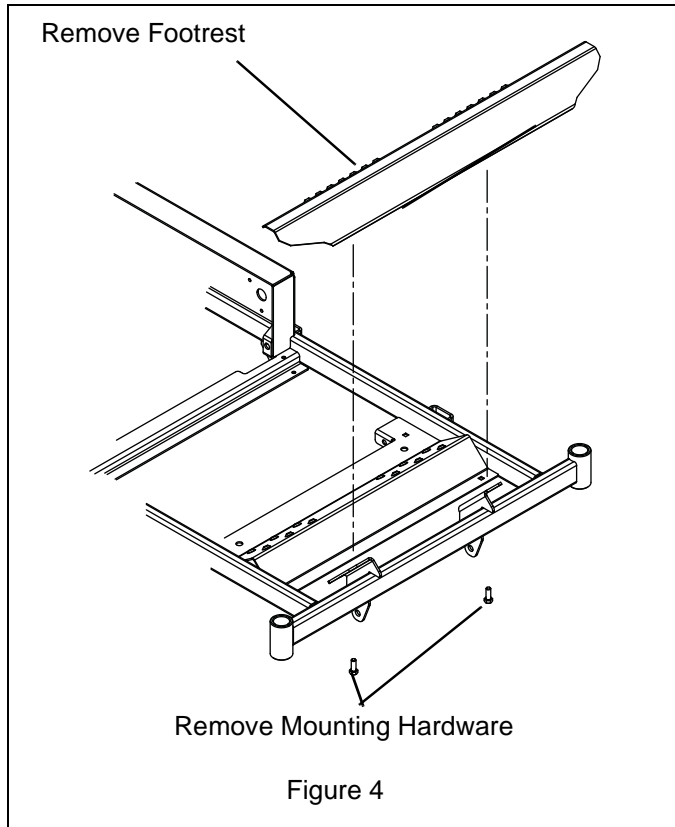
## Install Counterweights



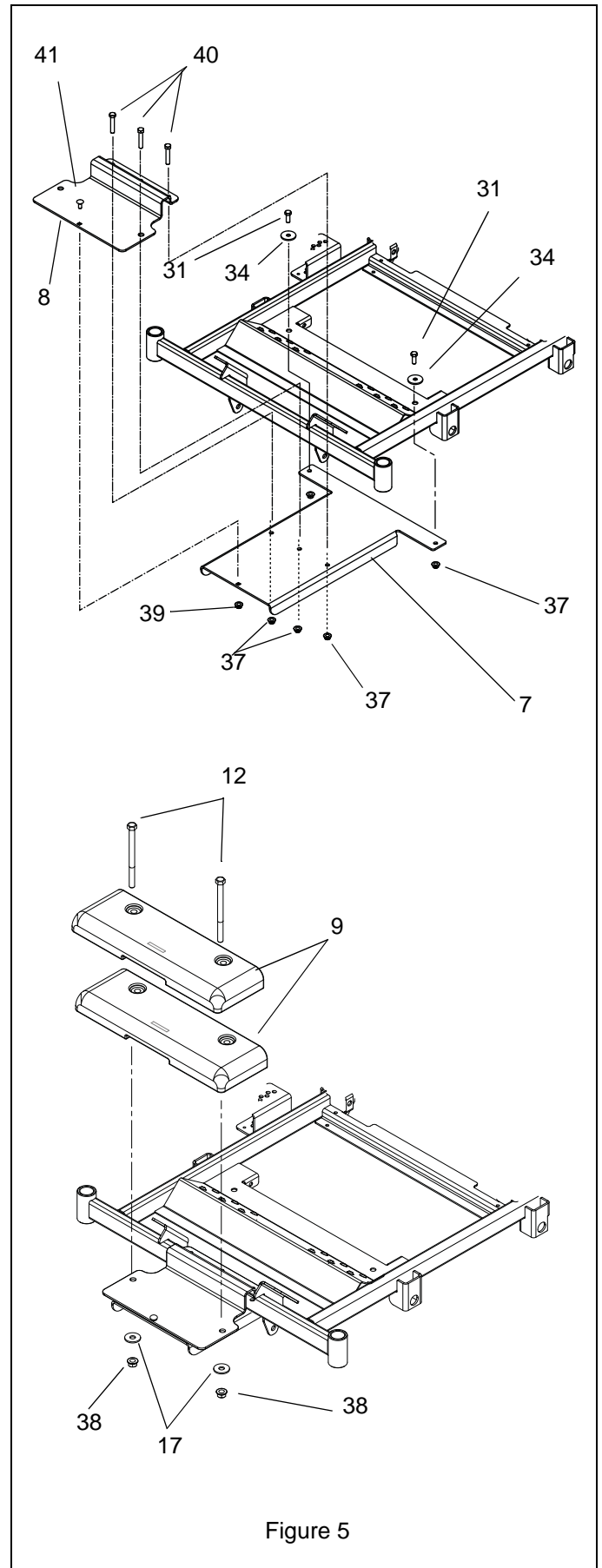
**WARNING:** ALWAYS install counterweights before operating unit with bagger attached. ALWAYS remove counterweights when bagger is removed from unit.

1. Remove mounting hardware from footrest (figure 4).

**NOTE:** The hex bolt and washers will be reused when installing the bagger.



2. Install bagger weight bracket (item 7) on unit with two 3/8" x 1" hex bolts (item 31), washers 25/64" x 1-1/2 x 1/8" washers (item 34) and 3/8" nylon locknuts (item 37) (figure 5).
3. Install the axle mount bracket (item 8) on the front axle with three 3/8" x 2" hex bolts (item 40) and three 3/8" nylon locknuts (item 37). Connect the bagger weight bracket and the axle mount bracket with a 5/16" x 3/4" roundhead squareneck bolt (item 41) and 5/16" nylon locknut (item 39).
4. Install two counterweights (item 9) on bagger weight bracket (item 7) and axle mount bracket (item 8) with two 1/2" x 5" hex bolts (item 12), two 33/64" x 1-7/16 x 1/8" flat steel washers (item 17) and 1/2" top locknuts (item 38).
5. Install the footrest removed in step 1.



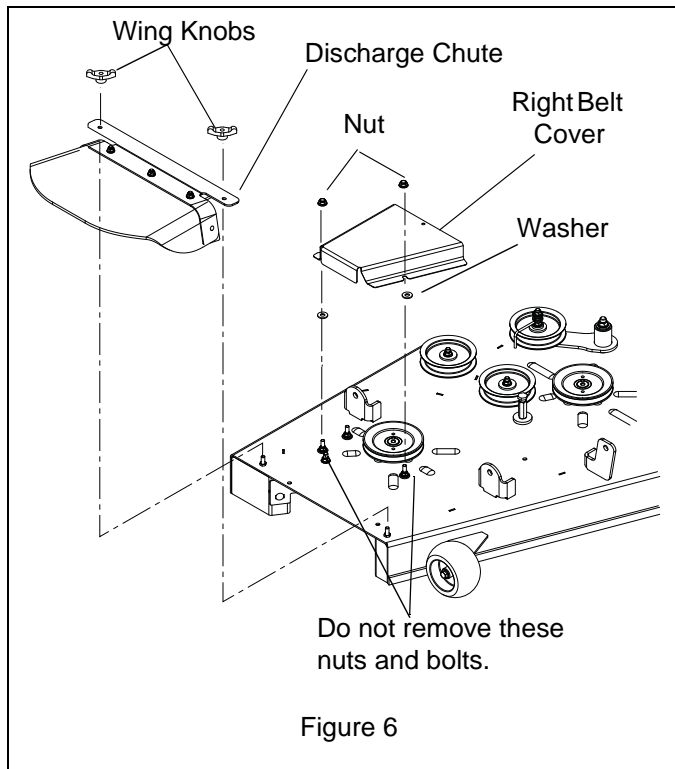
## INSTALL SHEAVE AND SHEAVE ADAPTER (FIGURE 6 AND 7)



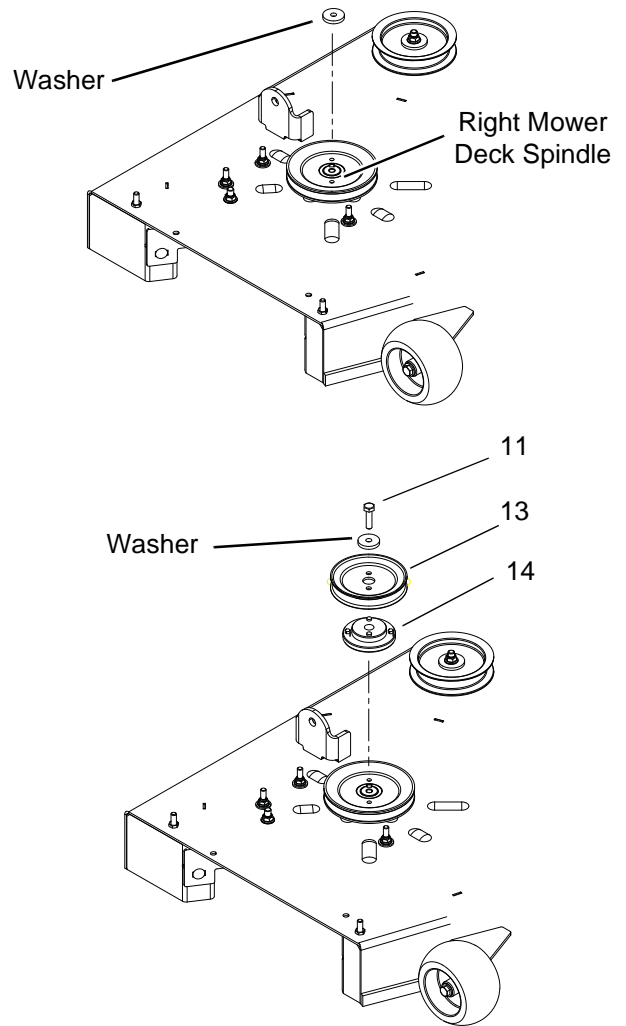
**WARNING:** Keep discharge chute, wing knobs and belt covers for re-installation when the bagger kit is removed.

1. Remove the wing knobs and discharge chute from unit. Save wing knobs to install the blower bracket.
2. Remove mounting hardware and right belt cover from mower deck (figure 6).

**NOTE:** Only remove the nut holding down the belt cover and the loose washer. Keep the bolts in place on the deck.



Save this hex bolt to run the mower without the bagger installed.



**IMPORTANT:** Keep the hex bolt for re-installation when the bagger kit is removed.

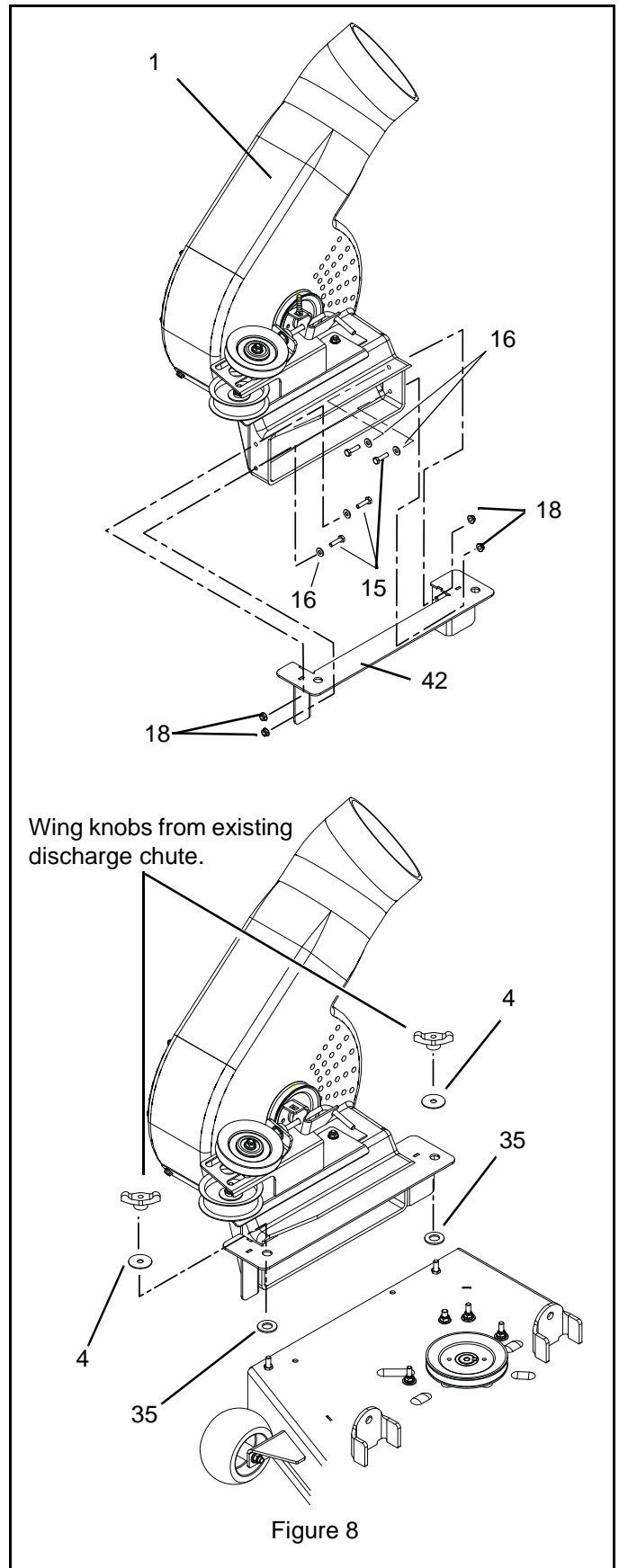
**NOTE:** The washer is used for installing the sheave (item 13) and sheave adapter (item 14) in step 4.

3. Remove hex bolt and washer from right mower deck spindle (figure 7).
4. Install sheave adapter (item 14), sheave (item 13), and washer on right mower deck spindle with 3/8" x 1-3/4" hex bolt (item 11).

## INSTALL BLOWER ASSEMBLY

### Install Bagger Mounting Bracket and Bagger Baffle, and Blower Assembly

1. Install the blower bracket (item 42) to blower and idler assembly (item 1) with four 1/4" x 1" hex bolts (item 15), 9/32" x 5/8" flat steel washers (item 16), and 1/4" top lock flange nuts (item 18).
2. Install complete blower assembly on mower deck with two 3/8" x 1-1/2 x 1/16" washers (item 4), two 21/32" x 1-1/4 x 3/32" washers (item 35), and the two wing knobs removed in step 1 of *Install Sheave and Sheave Adapter (Figure 6 and 7)*.



## INSTALL V-BELT AND BELT COVER

### Install V-Belt (Figure 9)

**NOTE:** Three V-belts (item 20) are supplied with the bagger kit:

- 42-inch mower decks use V-belt part number 07212800.
  - 48-inch mower decks use V-belt part number 07216300.
  - 54-inch mower decks use V-belt part number 07223700.
1. Install V-belt (item 20) on mower deck and blower and idler assembly pulley as shown in figure 9.

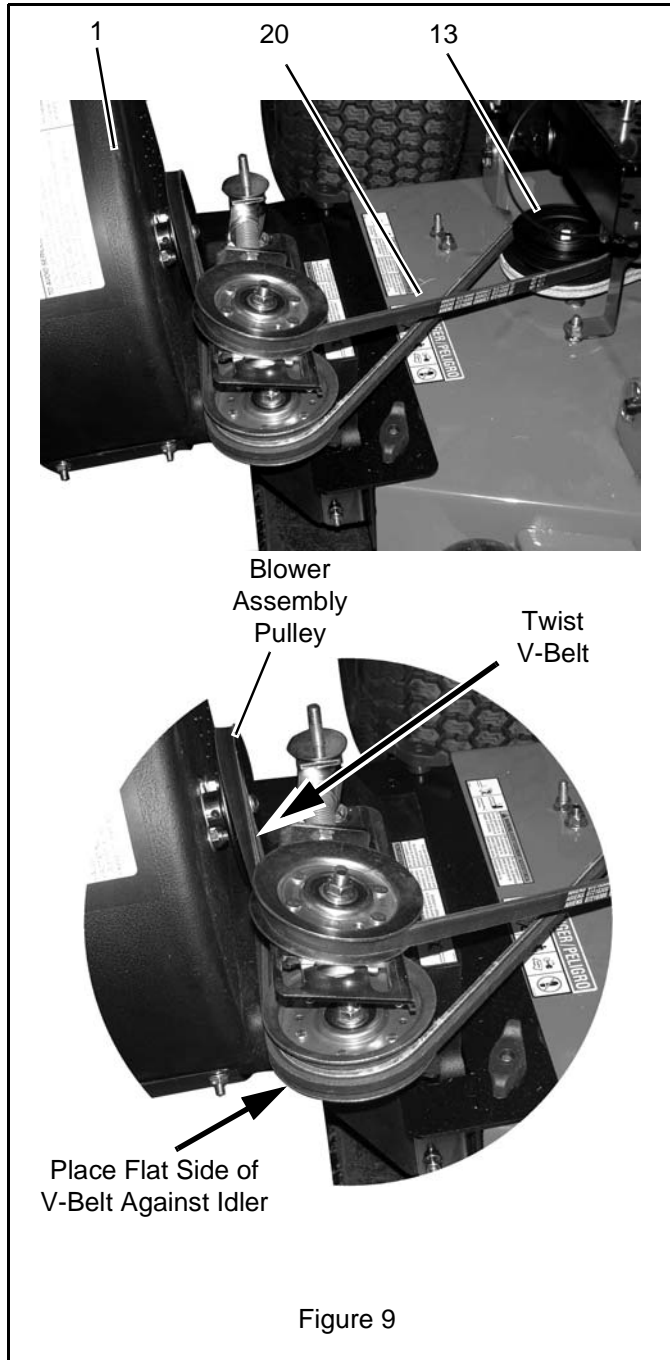


Figure 9

## MODIFY BELT COVER – 54-INCH DECKS

**NOTE:** Skip to *Install Belt Cover* if installing a bagger kit on a 42- or 48-inch deck.

1. Find the score lines on the 54-inch belt cover (item 5) and cut out the area indicated in Figure 10.

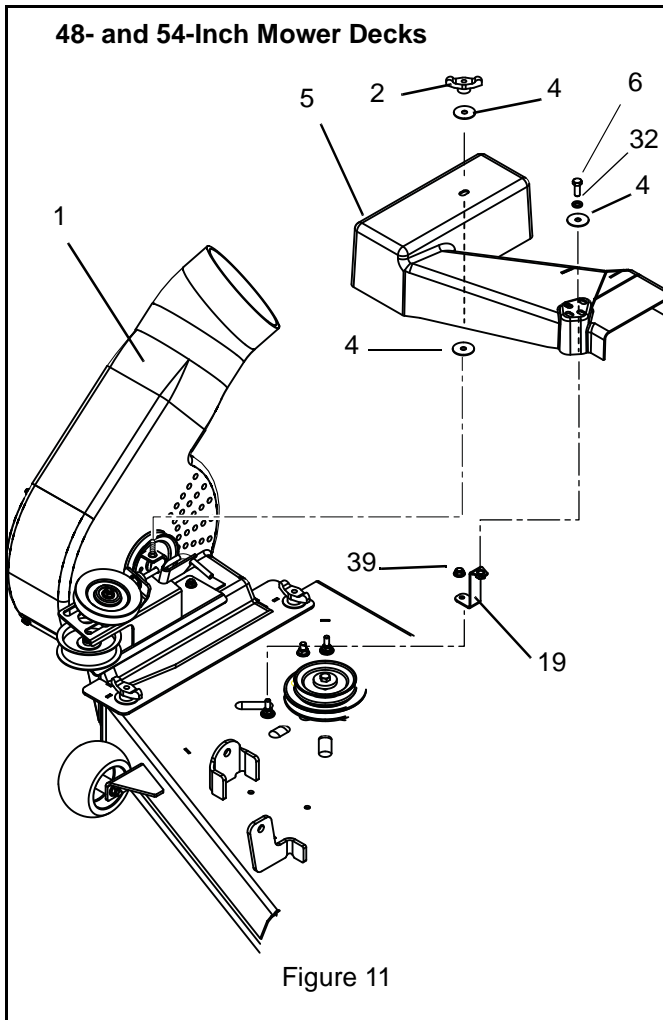


Remove this section to install belt cover on 54-inch decks.

Figure 10

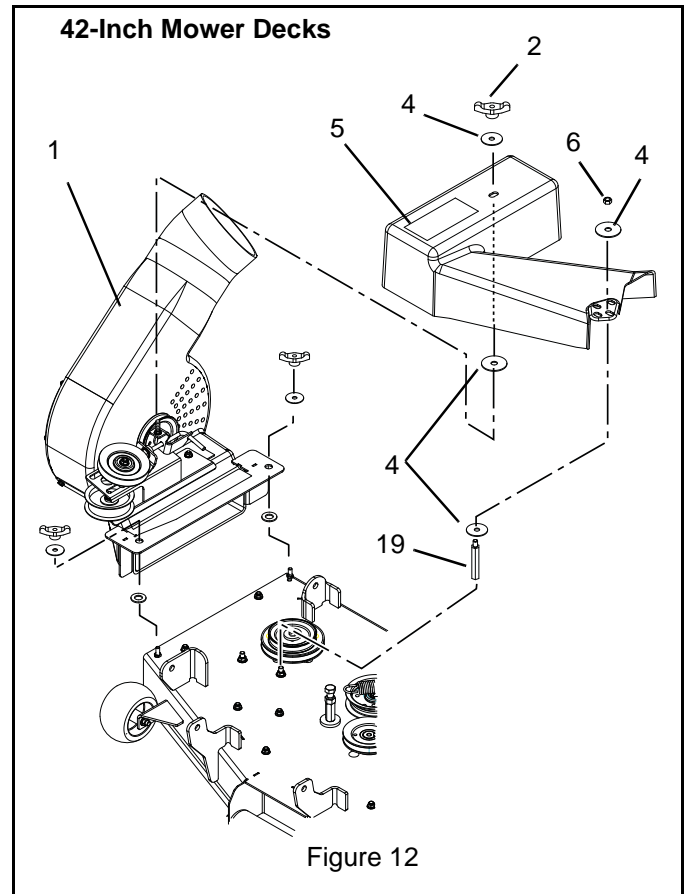
### Install Belt Cover – 48- and 54-Inch Decks

1. Install the 5/16" x 2-3/4" standoff (item 19) on mower deck with a 5/16" nylon locknut (item 39).
2. Install 48-, 54-inch belt cover (item 5) on blower and idler assembly (item 1) with two 3/8" x 1-1/2 x 1/16" washers (item 4), and 5/16" wing knob (item 2).
3. Install 48-, 54-inch belt cover (item 5) on 5/16" x 2-3/4" standoff (item 19) with a 3/8" x 1" hex bolt (item 31), 3/8" x lock washer (item 32) and 5/16" locknut (item 6).



### Install Belt Cover – 42-Inch Decks

1. Install one 5/16" x 2-3/4" standoff (item 19) on mower deck.
2. Install 42-inch belt cover (item 5) on blower and idler assembly (item 1) with two 3/8" x 1-1/2 x 1/16" washers (item 4), and 5/16" wing knob (item 2).
3. Install 42-inch belt cover (item 5) on 5/16" x 2-3/4" standoff (item 19) with two 3/8" x 1-1/2 x 1/16" washers (item 4) and one 5/16" locknut (item 6).



### INSTALL COVER ASSEMBLY (FIGURE 13)

1. Install rear mounting plate (item 30) on frame with four 3/8" x 1" hex bolts (item 31) and 3/8" nylon locknuts (item 37).
2. Install two 1/2" x 1" hex bolts (item 36) on rear mounting plate (item 30) and frame with 1/2" nylon locknuts (item 29).
3. Place four 13/32" x 1-1/2 x 1/4" washers (item 33) in the weld studs on the rear bagger mount.

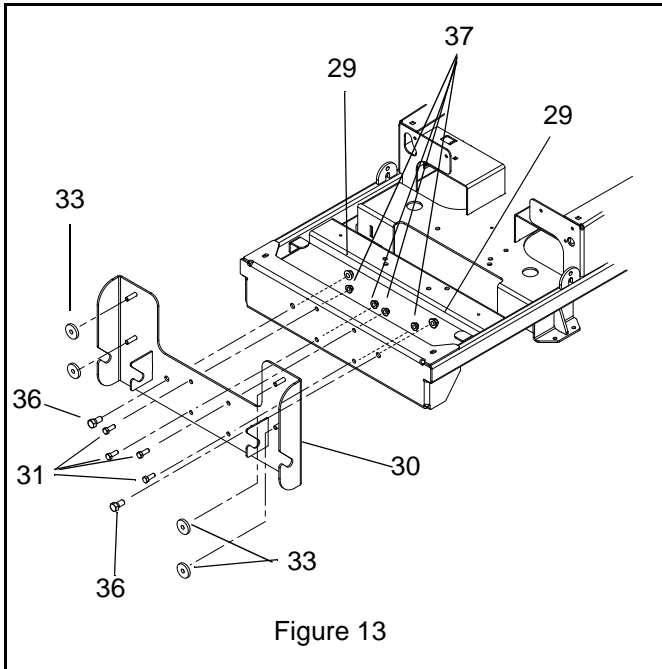


Figure 13

4. Install the cover assembly on the rear bagger mount by placing the shaft on the cover assembly in the slots on the mounting bracket. Rotate the assembly up against the bracket and secure with 3/8" wing knobs (item 3), 3/8" x lock washers (item 32) and 25/64" x 1-1/2 x 1/8" washers (item 34).
5. Install the reinforcing straps (item 27) on the right and left side of the bagger. Secure each strap to the stud on the bagger assembly with a hair pin #25 (item 21) and to the bracket on the unit frame with a clevis pin 3/8" x 3/4" (item 28) and an external hair pin (item 22).

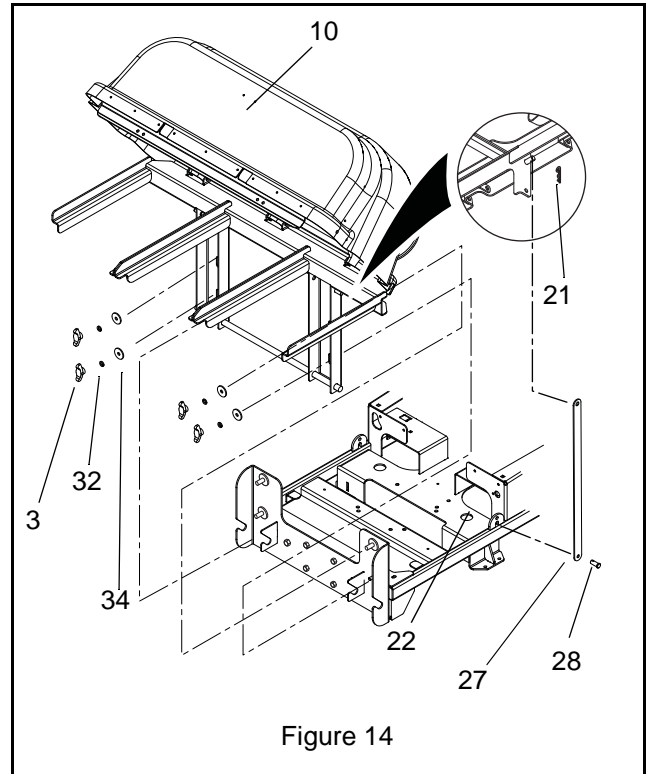


Figure 14

#### INSTALL BAG ON FRAME (FIGURE 15)

1. Thread the bag frames (item 26) through the sleeve on the open end of the mesh bags (item 24).
2. Install the 3/8 x 1/2 x 3 plastic tubes (item 25) on the ends of the bag frames (item 26) and push the ends together.

**NOTE:** The rope handle on the bottom of the bag will point to the outside when the bag is assembled correctly.



Thread bag frame (item 26) through sleeve in mesh bag (item 24).



Install 3/8 x 1/2 x 3 plastic tube (item 25) on each end of frame and push the ends together.

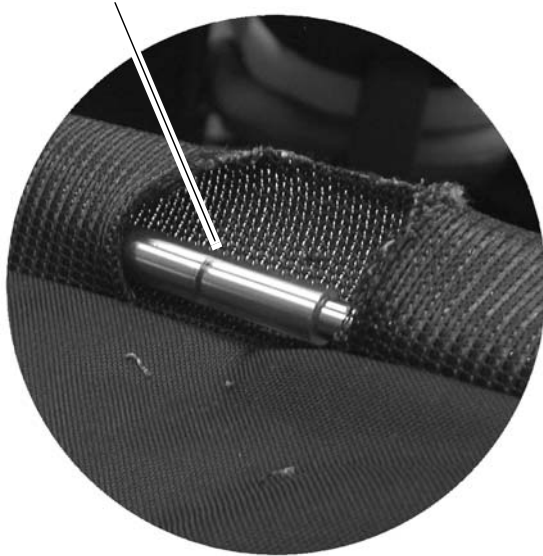


Figure 15

## INSTALL MESH BAGS (FIGURE 16)



**CAUTION:** MAKE SURE the heat resistant (smooth side) side of the mesh bags are facing the unit.

1. Install mesh bags (item 24) on cover assembly (item 10) with the heat resistant (smooth side) side of the bags facing the unit.

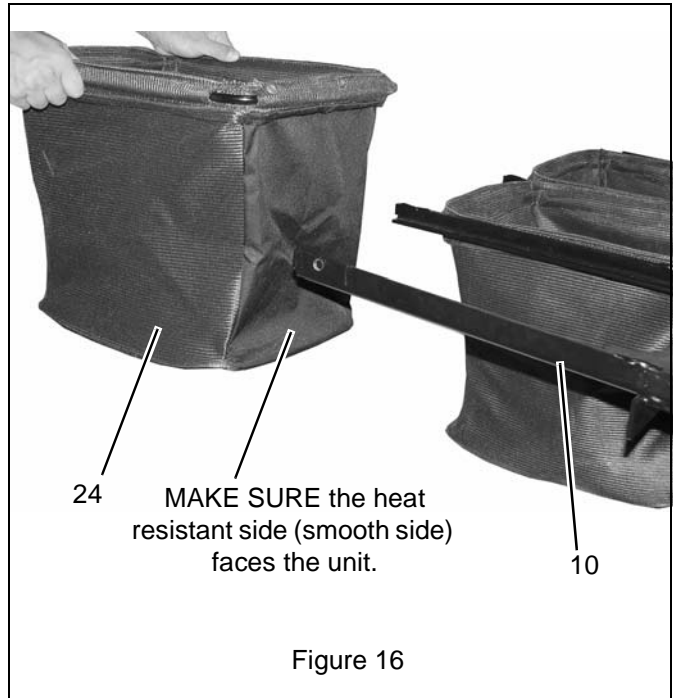


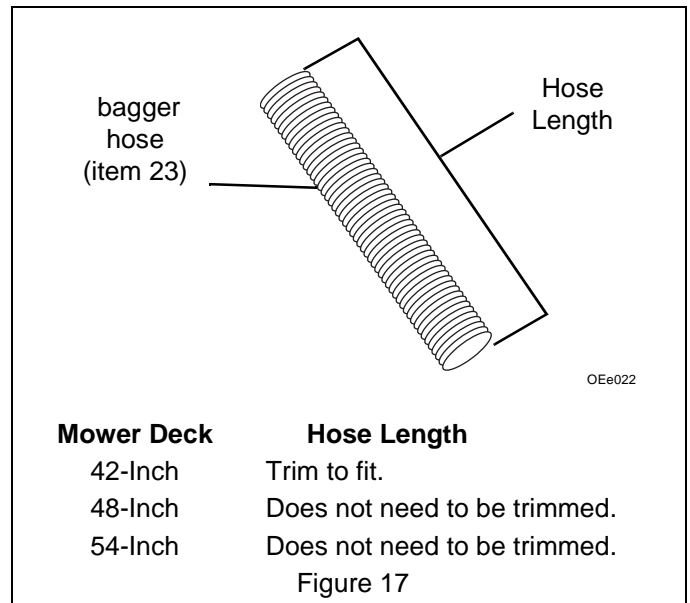
Figure 16

## INSTALL HOSE

### Trim Hose (Figure 17)

**NOTE:** Different size decks require different hose lengths.

1. Position bagger hose (item 23) and trim to fit as specified in figure 17.



### Install Hose (Figure 18)

1. Install bagger hose (item 23) on blower and idler assembly (item 1) and cover assembly (item 10).
2. Flip up thumb latch and push bagger hose (item 23) into the latch. Flip down the latch, making sure the latch is attached to a rib on the hose.



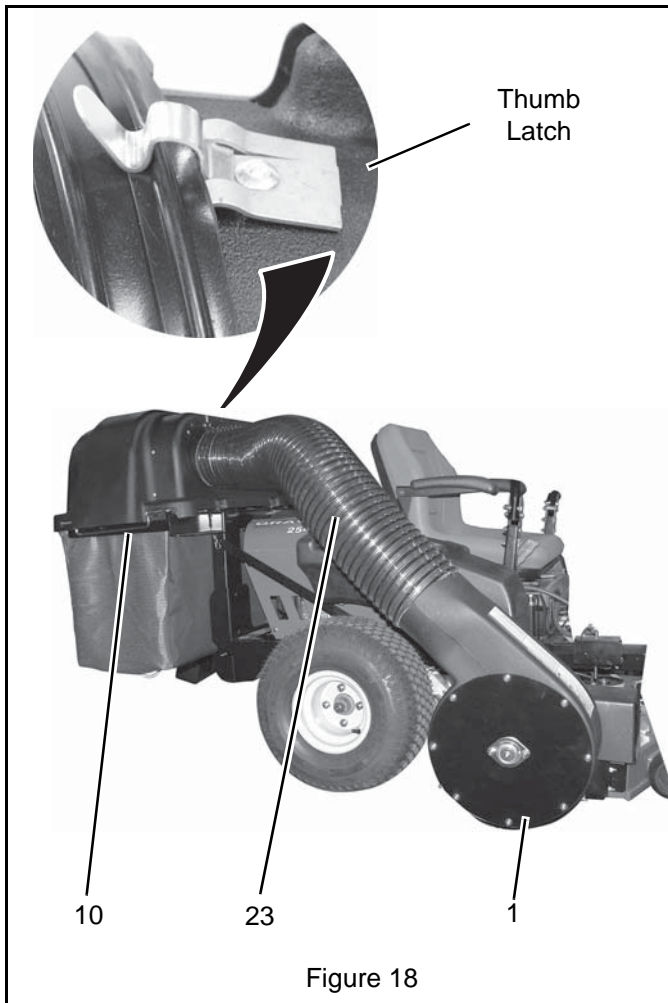


Figure 18

## REMOVAL



**WARNING:** AVOID INJURY. Read and understand the entire *Safety* section before proceeding.

1. Flip up thumb latch and remove bagger hose from cover assembly and blower and idler assembly (see figure 18 on page 17).
2. Remove mesh bags from cover assembly (see figure 16 on page 16).
3. Remove cover assembly from unit (see figure 13 on page 15).

**NOTE:** The rear mounting plate does not need to be removed.

4. Remove belt cover from mower deck and blower and idler assembly (see figure 11 on page 14 or see figure 12 on page 14).
5. Remove V-Belt (see figure 9 on page 13).
6. Remove blower and idler assembly (see figure 8 on page 12).

7. Remove sheave adapter and 4" sheave (see figure 7 on page 11).
8. Install washer and the original hex bolt on right mower deck spindle (see figure 6 on page 11).
9. Install right belt cover on mower deck (see figure 6 on page 11).



**CAUTION:** Deflected material may cause injury. ALWAYS operate mower with bagger cover closed and secured, blower assembly fastened securely, or with chute deflector in operating position.

10. Install discharge chute.



**WARNING:** ALWAYS install counterweights before operating unit with bagger attached. Always remove counterweights from unit when bagger is removed from unit.

11. Remove counterweight from unit (see figure 5 and 4 on page 10).

## OPERATION



**WARNING:** AVOID INJURY. Read and understand the entire *Safety* section before proceeding.



**CAUTION:** Do not tow anything with the hitch when the bagger is installed.

### BEFORE EACH USE



**WARNING:** Under normal usage the mesh bags are subject to deterioration and wear and **MUST** be checked frequently for necessary replacement. Any replacement mesh bags should be checked to ensure compliance with the original manufacturer's recommendations or specifications.

1. Check bagger parts for wear, deterioration, or damage. Replace **ONLY** with Ariens/Gravely original service parts before operating.
2. Make sure counterweights are installed.
3. Ensure all hardware is tight.
4. Remove any grass buildup from bagger parts.
5. Ensure hose is fastened securely on blower assembly.
6. Ensure mesh bags are installed, and the bagger cover is closed and securely latched.

### OPERATING THE BAGGER

#### Starting

1. Start engine and engage PTO (see unit's Operator's Manual).
2. Set throttle to full.
3. Set mower deck height.
4. Choose a slow ground speed.

#### Shutting Off



**WARNING:** Lower attachment, stop engine, and remove key to prevent unauthorized use. **DO NOT** park on slopes.

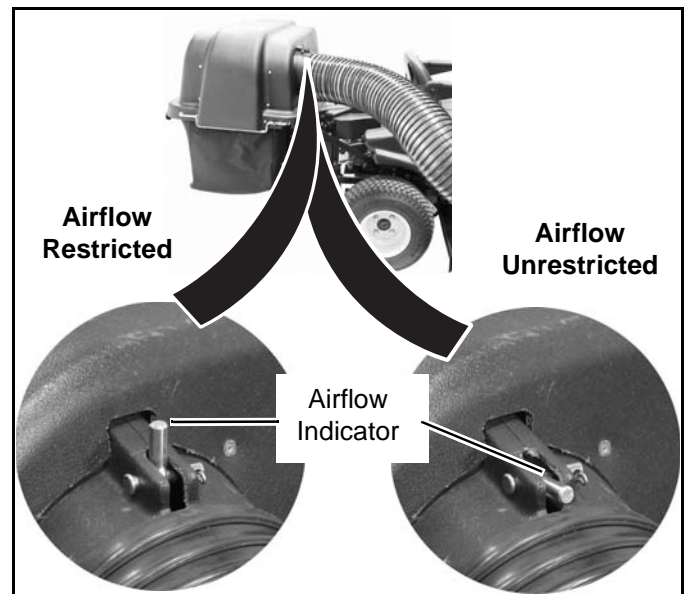
1. Disengage PTO.
2. Shut off unit (see unit's Operator's Manual).

### AIRFLOW INDICATOR (FIGURE 20)

When the airflow indicator is pointed straight up, the air is restricted which indicates one or more possible problems:

- The mesh bags are full and need to be emptied. See *Emptying Mesh Bags* on page 19.
- There is a clog in the bagger. See *Unclogging Bagger* on page 19.

When the airflow indicator is facing forward, the air is unrestricted indicating that the mesh bags are not full and there are no clogs in the bagger.



## EMPTYING MESH BAGS

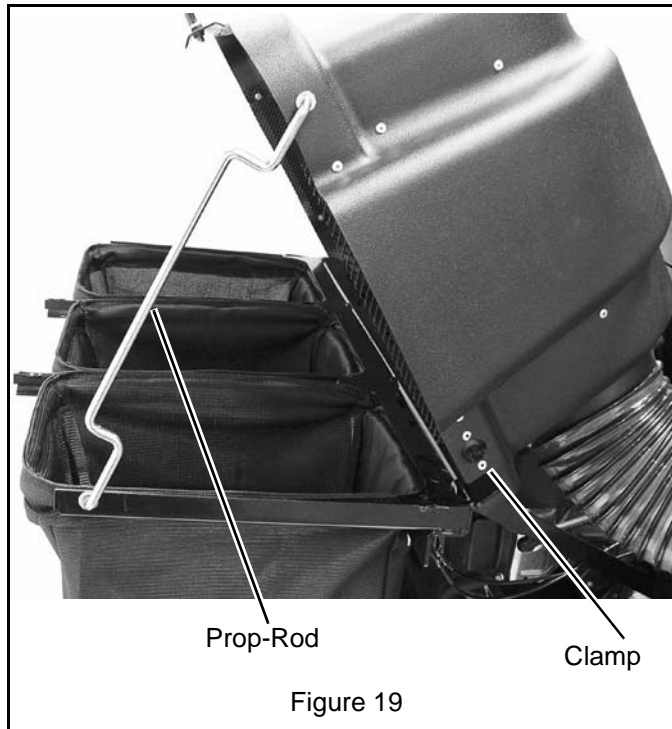
If bagger stops picking up grass clippings, the mesh bags may be full.



**WARNING:** NEVER open cover assembly while the engine is running and the PTO is engaged. ALWAYS shut off engine prior to emptying mesh bags.

To empty mesh bags:

1. Disengage PTO, stop engine, and remove ignition key. Wait for all moving parts to stop before leaving operator's position.
2. Open cover and remove the prop-rod from the clamp towards the back of the hood. Insert the end of the prop-rod through the first hole in the brace of the frame (figure 19).
3. Remove each mesh bag from cover assembly.



4. Empty the grass from each mesh bag basket.



**CAUTION:** MAKE SURE the heat resistant (smooth side) side of the mesh bags are facing the unit.

5. Install mesh bag on cover assembly with the heat resistant (smooth side) side of the bags facing the unit (figure 20).
6. Close cover.

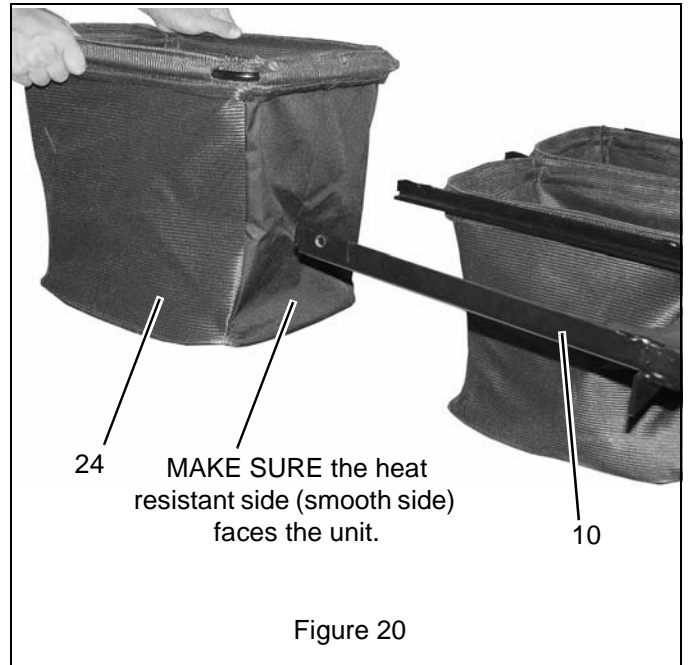


Figure 20

## UNCLOGGING BAGGER



**WARNING:** MOVING PARTS can cut or amputate body parts.

NEVER attempt to clear blower assembly while engine is running.

ALWAYS stop engine, remove key, and wait for moving parts to stop.

Sharp edges can cut. Movement of parts can cut off fingers or a hand. Wrap blade(s), wear sturdy gloves and use extreme caution when working near blades or impeller.



**WARNING:** PINCH POINT! Use extreme caution when unclogging blower assembly. Impeller can cut or pinch your hand, even when not in operation. Wear sturdy gloves when working near impeller.

If hose or blower assembly gets clogged, stop forward motion and allow unit to clear itself. If unit will not clear itself, unclog the hose and/or blower assembly manually as instructed below.

1. Stop engine and remove ignition key. Wait for all moving parts to stop.
2. Flip up thumb latch and remove hose.



**WARNING:** Blades rotate when impeller rotates. Impeller rotates when blades rotate. Block blades to prevent rotation before proceeding.

3. Remove grass from hose and blower assembly.

- Install hose and ensure the hose is securely held in place by the thumb latch.

## OPERATING TIPS

- Cut grass when it is dry.
- Cut grass in two passes when cutting thick, long, or wet grass. Make the first cut higher than desired. Make the second cut at desired height.
- Always use full throttle when bagging.
- Adjust ground speed as needed to allow the bagger to pick up debris.

## MAINTENANCE



**WARNING:** AVOID INJURY. Read and understand the entire *Safety* section before proceeding.

Ariens/Gravely Dealers will provide any service or adjustments which may be required to keep your unit operating at peak efficiency.

Interval	Task	Action
Each Use	Check Counterweight	Ensure counterweight is installed and securely fastened.
	Check Bagger Hose	Ensure bagger hose is securely fastened to cover assembly and blower assembly.
	Check Mesh Bags	Ensure mesh bags are installed, and bagger cover is closed and securely latched.
	Check Fasteners	Ensure all hardware is tight. Pay special attention to the guards and safety shields.
	Inspect Bagger Parts	Inspect bagger parts for holes, abrasions, or structural damage. Replace any worn or damaged parts with Ariens/Gravely service parts.
	Clean Unit	Clear away debris under belt cover, in blower assembly, in tube, and in cover assembly.
10 Hours or Every Season	Check V-belt	Check V-belt for wear; replace if worn or damaged.

## STORAGE



**WARNING:** AVOID INJURY. Read and understand the entire *Safety* section before proceeding.

**IMPORTANT:** NEVER spray unit with high-pressure water. DO NOT store unit outdoors.

Clean plastic surfaces with sponge and mild detergent. Dry with a soft cloth.

Clear away debris under belt cover, in blower assembly, in tube, and in cover assembly before storing.

Remove all dirt, grease, leaves, etc. from unit.

Store in a clean, dry area.

Ensure all fasteners are properly tightened. Inspect moving parts for damage and wear.

Touch up all rusted or chipped painted surfaces.

## TROUBLESHOOTING

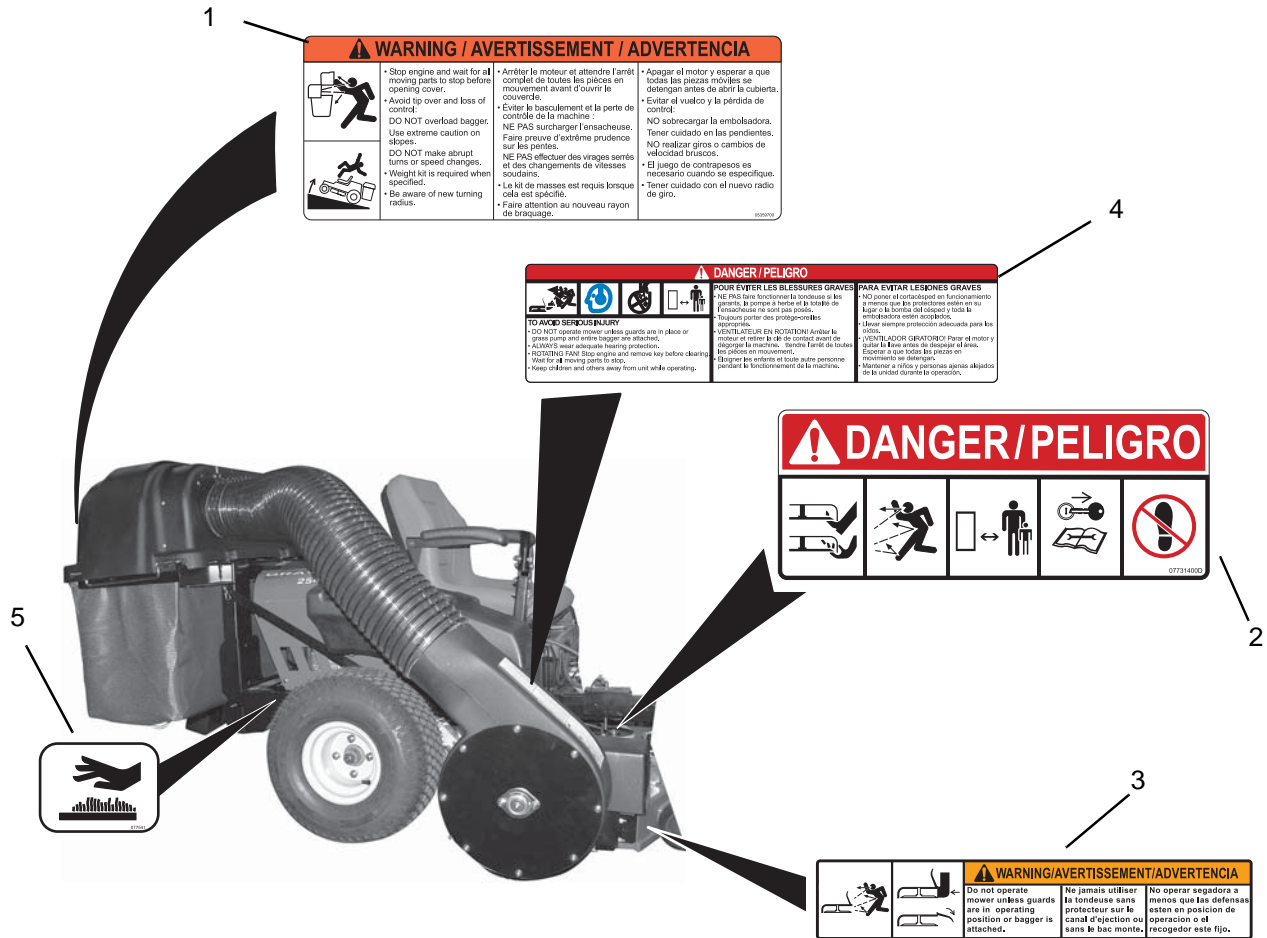
Problem	Probable Cause	Correction
Airflow indicator points straight up.	1. Air flow is restricted.	1. The mesh bags are full (see <i>Emptying Mesh Bags</i> on page 19). 2. The bagger is clogged (see <i>Unclogging Bagger</i> on page 19).
Bagger fails to pickup grass or leaves.	1. The mesh bags are full. 2. Bagger is clogged.	1. Empty mesh bags (see <i>Emptying Mesh Bags</i> on page 19). 2. Unclog bagger (see <i>Unclogging Bagger</i> on page 19).
Blower assembly stops or slows.	1. Blower assembly clogged. 2. Worn or damaged V-belt.	2. Unclog bagger (see <i>Unclogging Bagger</i> on page 19). 2. Replace V-belt.

## SPECIFICATIONS

Model Number	815022
Description	ZT XL and Zoom XL Bagger
Serial Number	000101 and up
Added Length to Unit – Front	6-3/8in. (16.2 cm)
Added Length to Unit – Rear	22-1/4 in. (56.5 cm)
Added Width to Unit	12 in. (30.5 cm)

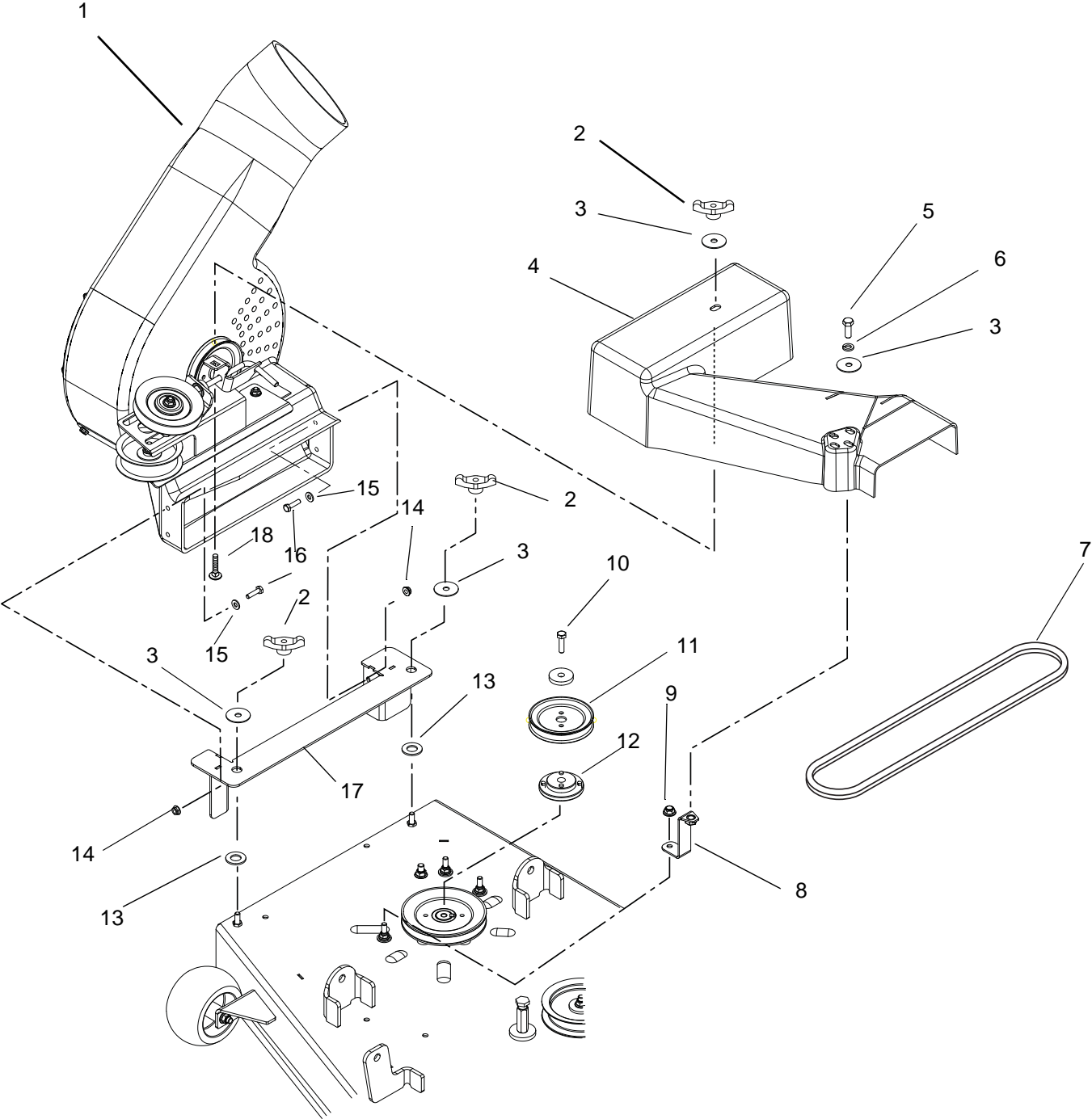
# PARTS LIST

## SAFETY DECALS



Item	Part No.	Qty.	Description
1	05359700	1	Bagger Cover Decal
2	07731400	1	Mower Pan Danger Decal
3	07742300	1	Warning Decal
4	08088200	1	Grass Pump Caution Decal
5	07754100	2	Decal, Hot Surface

**BLOWER ASSEMBLY TO MOWER DECK (48-, 54-INCH MOWER DECKS)**



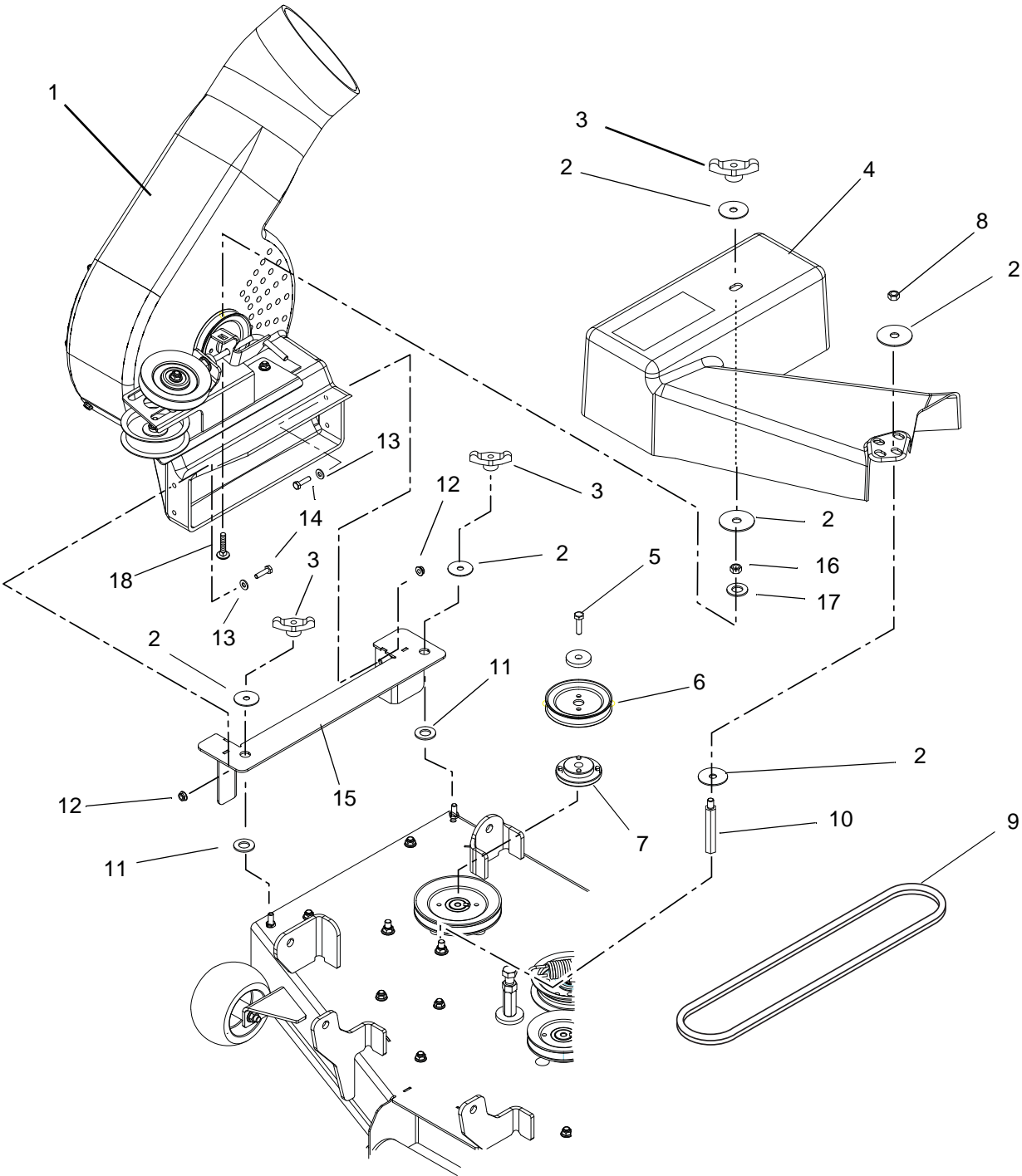


## BLOWER ASSEMBLY TO MOWER DECK (48-, 54-INCH MOWER DECKS) (CONT.)

Item	Part No.	Qty.	Description
1	51514700	1	Housing, Blower
2	07531700	3	Knob, Wing .312-18
3	06439300	4	Washer, Flat, Steel.38 x 1.50 x .062
4	51511600	1	Belt Cover, with Decal
5	05948700	1	Bolt, Hex .38-16 x 1.00 – Grade 5
6	06308800	1	Washer, Lock .38
7	07216300	1	V-Belt, 4L Raw Laminated (48-Inch Decks)
	07223700	1	V-Belt, HA Wrapped (54-Inch Decks)
8	03375400	1	Standoff, XL Blower Cover
9	06545400	1	Nut, Nylon Lock, .312
10	05980600	1	Bolt, Hex .38-16 x 1.75 – Grade 8
11	00169600	1	Sheave, 4.00 Diameter
12	00169800	1	Assembly, Sheave Adapter
13	06430300	2	Washer, Flat, Steel .656 x 1.25 x .10
14	06500012	4	Nut, Locking-Top-Flange .25-20
15	06437300	4	Washer, Flat, Steel .281 x .62 x .065
16	05947700	4	Bolt, Hex .25-20 x 1.00 Grade 5
17	003373251	1	Bracket, Blower Weldment
18	06212100	1	Bolt, Round Head Square Neck, .31-18 x 1.50



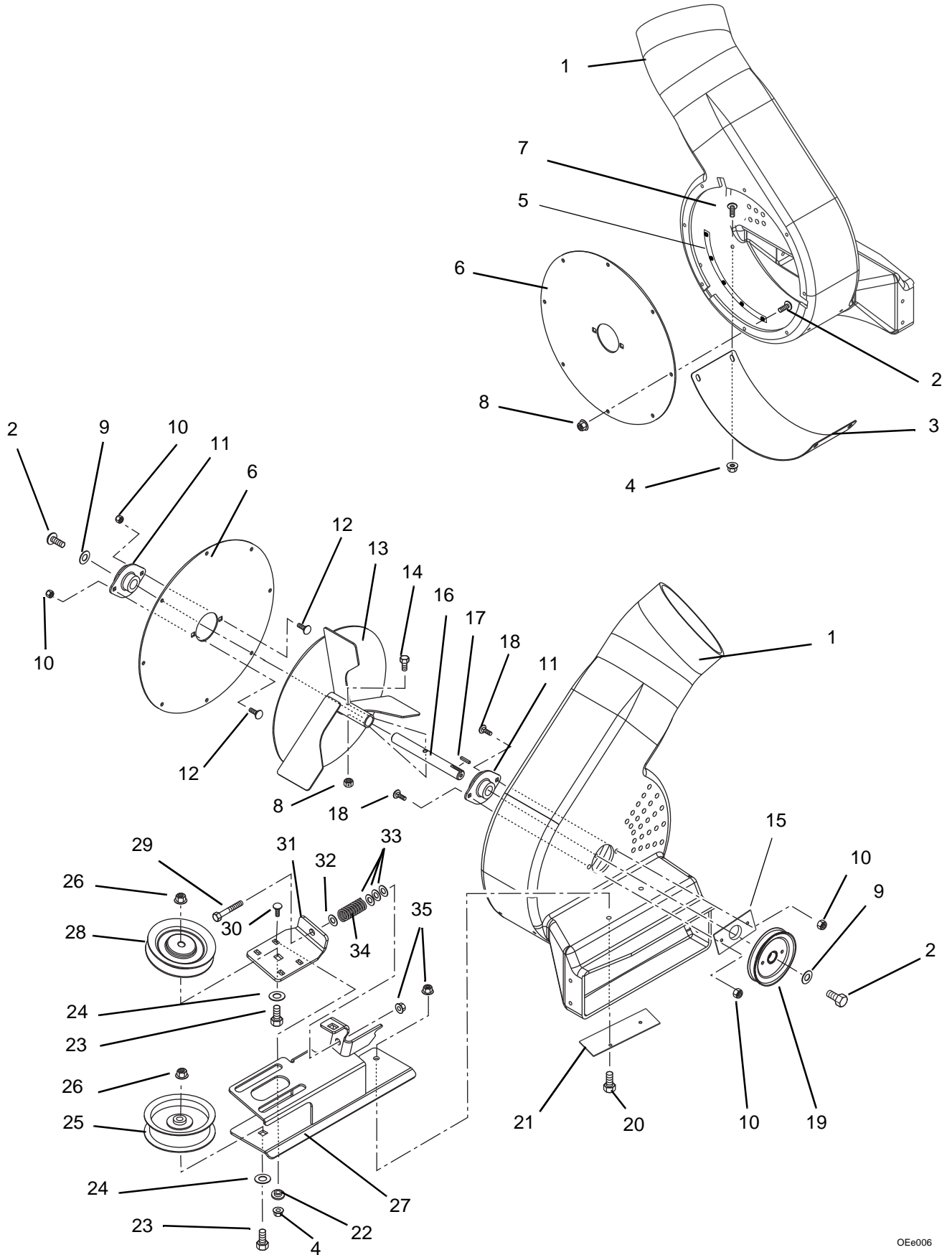
**BLOWER ASSEMBLY TO MOWER DECK (42-INCH MOWER DECKS)**



## BLOWER ASSEMBLY TO MOWER DECK (42-INCH MOWER DECKS) (CONT.)

Item	Part No.	Qty.	Description
1	51514700	1	Housing, Blower
2	06439300	5	Washer, Flat, Steel.38 x 1.50 x .062
3	07531700	3	Knob, Wing .312-18
4	01974800	1	Belt Cover, 42-Inch Decks
5	05980600	1	Bolt, Hex .38-16 x 1.75 – Grade 8
6	00169600	1	Sheave, 4.00 Diameter
7	00169800	1	Assembly, Sheave Adapter
8	06529800	1	Nut, Locking, Center .31-18
9	07212800	1	V-Belt, HA Wrapped
10	00271200	1	Standoff, 2.75 x 5/16-18
11	06430300	2	Washer, Flat, Steel .656 x 1.25 x .10
12	06500012	4	Nut, Locking-Top-Flange .25-20
13	06437300	4	Washer, Flat, Steel .281 x .62 x .065
14	05947700	4	Bolt, Hex .25-20 x 1.00 Grade 5
15	003373251	1	Bracket, Blower Weldment
16	06536100	1	Nut, Jam .312-18
17	06435800	1	Washer, Flat Steel, .312 x .734 x .065
18	06212100	1	Bolt, Round Head Square Neck, .31-18 x 1.50

# BLOWER ASSEMBLY

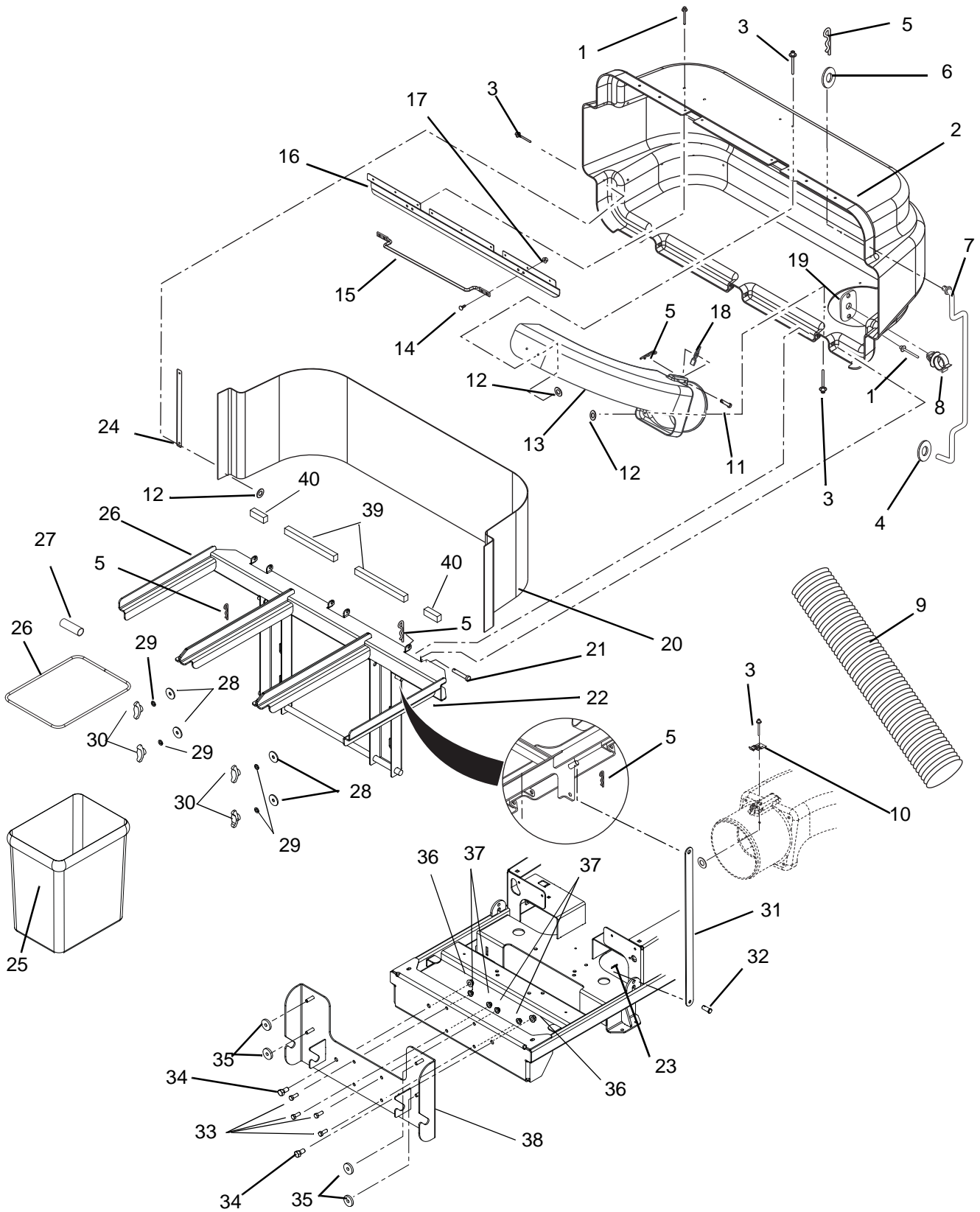


OEe006

## BLOWER ASSEMBLY (CONT.)

Item	Part No.	Qty.	Description
1	51514700	1	Housing, Blower
2	05900008	2	Bolt, Hex .25-20 x .50 Epoxy
3	00169951	1	Plate, Skid
4	06543500	8	Nut, Locking-Top-Flange .25-20
5	03720951	3	Plate, Mounting Bolt Reinforcing
6	00168051	1	Plate, Bearing Mount
7	06114400	4	Screw, Machine .25-20 x .75
8	06500012	13	Nut, .25-20 Nyloc Flange
9	06446300	2	Washer, Flat-Steel .344 x 1.125 x .135
10	06530200	4	Nut, Locking-Nylon .312-18
11	03685300	2	Bearing, 2 Bolt Flange - .75 ID
12	06212200	2	Bolt, Round Head Square Neck .31-18 x .62
13	00170000	1	Weldment, Impeller, 3 Blade
14	05952500	1	Bolt, Hex .25-20 x 1.50 Grade 5
15	03721051	1	Plate, Washer Bearing
16	00168700	1	Shaft, Impeller
17	06606000	1	Key, Square .187 x .50 x .187 Hardened
18	06209500	2	Bolt, Round Head Square Neck .31-18 x .88 Grade 5
19	00169400	1	Sheave, Blower 4.25 Diameter
20	05947800	2	Bolt, Hex .31-18 x .875 Grade 5
21	00174400	1	Plate, Back
22	05513400	4	Bushing, Flange .265 x .437 x .250 x .750
23	05958500	2	Bolt, Hex .38-16 x 1.75 Grade 5
24	06436200	2	Washer, Flat-Steel .406 x .812 x .065
25	07324100	1	Idler Flanged 3.50
26	06542000	2	Nut, Locking-Top-Flange .38-16
27	00168200	1	Weldment, Idler Mount
28	07327600	1	V-Idler, 4.00 x .38
29	05963200	1	Bolt, Hex .31-18 x 4.00 Grade 5
30	06219900	4	Bolt, Round Head Square Neck .25-20 x .75 Grade 5
31	00168100	1	Bracket, Adjustable Idler
32	06514900	1	Nut, Push .312
33	06444000	3	Washer, Flat-Steel .406 x 1.00 x .188
34	08312100	1	Spring, Compression .092 x .77 x 3.13
35	06543100	3	Nut, Locking-Top-Flange .31-18
36	51514700	AR	Blower, Service Assembly (includes items 1-35)

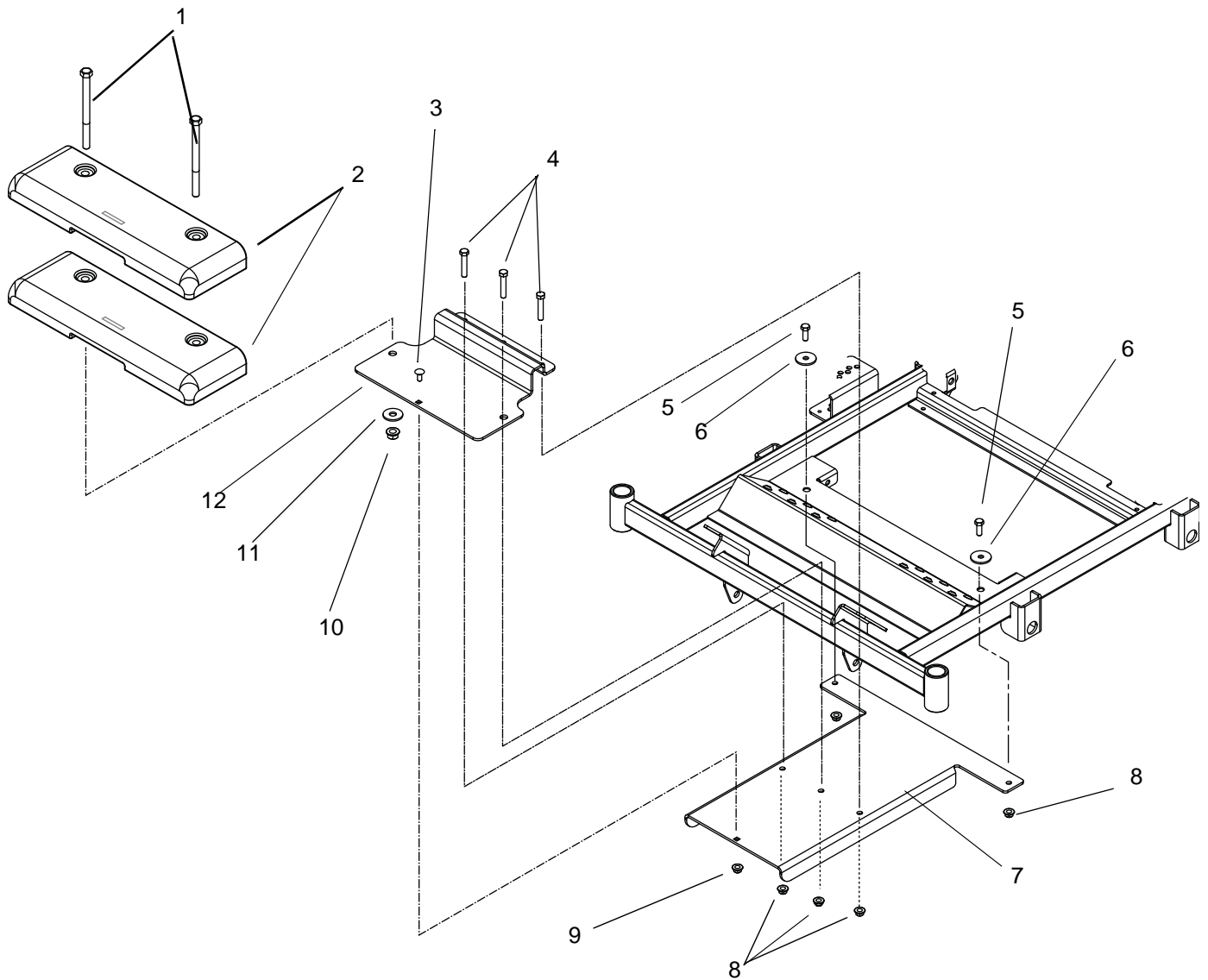
# BAGGER COVER ASSEMBLY



## BAGGER COVER ASSEMBLY (CONT.)

Item	Part No.	Qty.	Description
1	06802500	11	Rivet, Pop .187 x .402
2	61556800	1	Cover, Bagger with Decal
3	06807600	26	Rivet, Pop .187 x .375
4	00548400	1	Retainer, .38 Push-On
5	06714800	9	Pin-Hair
6	06436200	1	Washer-Flat-Steel .046 x .812 x .065
7	00292600	1	Prop Rod, Bagger
8	07534100	1	Clip .38
9	00455400	1	Hose, 7 x 45 Kanaflex 165 Clear
10	07000026	1	Thumb Latch
11	06815300	1	Pin, Clevis .31 x 2.62 Grade 5
12	06442700	26	Washer-Flat-Steel .219 x .50 x .049
13	00165900	1	Boot, Upper
14	06219900	4	Bolt, Round Head Square Neck .25-20 x .75 Grade 5
15	00453000	1	Bagger Handle
16	00450851	1	Latch, Cover
17	06543500	4	Nut, Locking-Top-Flange .25-20
18	00168300	1	Indicator, Flow
19	00294400	1	Plate, Rod Clip
20	00166900	1	Screen, Bagger
21	02747500	3	Pin, Clevis .368/.373 x 3.25
22	00596851	1	Weldment, Bagger Frame
23	06714900	2	Pin, Hair, External- #16
24	00174851	2	Strap, Cover
25	03370700	3	Bag, Mesh
26	00663200	3	Frame, Bag
27	00677000	3	Hose, .38 x .50 x 3.00 Vinyl
28	06441700	4	Washer, Flat Steel .390 x 1.5 x .125
29	06308800	4	Washer, Lock .38 x .094
30	07019300	4	Knob, Wing .38-16
31	03373151	2	Strap, Bagger
32	06814800	2	Pin, Clevis .38 x .75
33	05948700	4	Bolt, Hex .38-16 x 1.00 Grade 5
34	05947100	2	Bolt, Hex .50-13 x 1.00 Grade 5
35	06400006	4	Washer, Flat Steel .406 x 1.50 .245
36	06500010	2	Nut, .50-13 Nyloc Flange
37	06545500	4	Nut, .38-16 Nyloc Flange
38	03373051	1	Mount, Rear Bagger
39	03752800	2	Grass Block, 10.5-In. Foam
40	03752900	2	Grass Block, 4-In. Foam

# COUNTERWEIGHT ASSEMBLY



Item	Part No.	Qty.	Description
1	05962200	2	Bolt, Hex .50-13 x 5.00 Grade 5
2	00172000	2	Counterweight
3	06215700	1	Bolt, Round Head Square Neck, .312-18 x .75 Grade 5
4	05963300	3	Bolt, Hex .38-16 x 2.00 Grade 5
5	05948700	2	Bolt, Hex .38-16 x 1.00 Grade 5
6	06441700	2	Washer, Flat Steel .390 x 1.50 x .125
7	03374351	1	Bracket, Weight Mount
8	06545500	2	Nut, .38-16 Nyloc Flange
9	06545400	3	Nut, Nylon Flange .312-18
10	06543600	2	Nut, Top-Locking Flange .50-13
11	06436400	2	Washer, Flat Steel .511 x 1.44 x .125
12	03374451	1	Bracket, Bagger Axle Mount



## Two-Year Limited Lawn and Garden Consumer Ride-On Warranty

Ariens Company (Ariens) warrants to the **original purchaser** that Ariens and Gravely brand consumer products manufactured and sold by Ariens after December 31, 2007 will be free from defects in material and workmanship for a period of two years after the date of purchase. An authorized Ariens dealer (Ariens brand products) or Gravely dealer (Gravely brand products) will repair any defect in material or workmanship, and repair or replace any defective part, subject to the conditions, limitations and exclusions set forth herein. Such repair or replacement will be free of charge (labor and parts) to the original purchaser except as noted below.

### ***Five-Year Limited Warranty on Mower Deck Shell***

The deck shell on zero-turn riding mowers is warranted to the **original purchaser** for five years from the date of purchase. Any defect in material or workmanship of the deck shell will be repaired free of charge (parts and labor) to the original purchaser for two years after the date of purchase. For the third through fifth year from the date of purchase, the parts required to repair a defect in material or workmanship of the deck shell, not the labor, will be provided free of charge.

### ***Five-Year Limited Warranty on Main Frame***

The main frame on zero-turn riding mowers is warranted to the **original purchaser** for five years from the date of purchase. Any defect in material or workmanship of the main frame will be repaired free of charge (parts and labor) to the original purchaser for two years after the date of purchase. For the third through fifth year from the date of purchase, the parts required to repair a defect in material or workmanship of the main frame, not the labor, will be provided free of charge.

### ***90-Day Limited Warranty on Service Parts and Accessories***

Genuine Ariens or Gravely brand service parts and accessories are warranted to be free from defects in material and workmanship for a period of 90 days after the date of purchase. An authorized Ariens or Gravely dealer will repair or replace any such part or accessory free of charge, except for labor, during that period.

The duration of all warranties herein applies only if the product is put to personal use around a household or residence. If the product is put to any business use, agricultural, commercial, or industrial, then the duration of these warranties shall be 90 days after the date of purchase. If any product is rented or leased, then the duration of these warranties shall be 90 days after the date of purchase.

## Exceptions, Limitations, Exclusions

### ***Customer Responsibilities***

**Register the product immediately at the time of sale.** If the dealer does not register the product, the customer must complete the product registration card in the literature package and return it to the Ariens Company, or register the unit online at [www.ariens.com](http://www.ariens.com) or [www.gravely.com](http://www.gravely.com).

To obtain warranty service, the **original purchaser** must:

- Perform the maintenance and minor adjustments explained in the owner's manual.
- Promptly notify Ariens or an authorized Ariens or Gravely service representative of the need for warranty service.
- Transport the product to and from the place of warranty service.
- Have the warranty service performed by an authorized Ariens or Gravely service representative.

To find an Ariens or Gravely authorized service representative, contact Ariens at:

655 W. Ryan Street

Brillion, WI 54110

(920) 756 - 2141

[www.ariens.com](http://www.ariens.com)

[www.gravely.com](http://www.gravely.com)



### **Exceptions and Limitations**

- Batteries are warranted only for a period of 12 months after date of purchase, on a prorated basis. For the first 90 days of the warranty period, a defective battery will be replaced free of charge. If the applicable warranty period is more than 90 days, Ariens will cover the prorated cost of any defective battery, for up to 12 months after the date of purchase.

### **Exclusions – Items Not Covered by This Warranty**

- Engines and engine accessories are covered only by the engine manufacturer's warranty and are not covered by this warranty.
- Eye-Q™ and Scan-Mate™ units are covered by their own warranty and are not covered by this warranty.
- Parts that are not genuine Ariens or Gravely service parts are not covered by this warranty.
- The following maintenance, service and replacement items are not covered by this warranty unless they are noted in the Limitations section above: lubricants, spark plugs, oil, oil filters, air filters, fuel filters, brake linings, brake arms, shoes, runners, scraper blades, shear bolts, mower blades, mower vanes, headlights, light bulbs, knives, cutters.
- Any misuse, alteration, improper assembly, improper adjustment, neglect, or accident which requires repair is not covered by this warranty.
- This warranty applies only to products purchased in the United States (including Puerto Rico) and Canada. In all other countries, contact place of purchase for warranty information.

### **Disclaimer**

Ariens may from time to time change the design of its products. Nothing contained in this warranty shall be construed as obligating Ariens to incorporate such design changes into previously manufactured products, nor shall such changes be construed as an admission that previous designs were defective.

### **LIMITATION OF REMEDY AND DAMAGES**

Ariens Company's liability under this warranty, and under any implied warranty that may exist, is limited to repair of any defect in workmanship, and repair or replacement of any defective part. Ariens shall not be liable for incidental, special, or consequential damages (including lost profits). Some states do not allow the exclusion of incidental or consequential damages, so the above limitation or exclusion may not apply to you.

### **DISCLAIMER OF FURTHER WARRANTY**

Ariens Company makes no warranty, express or implied, other than what is expressly made in this warranty. If the law of your state provides that an implied warranty of merchantability, or an implied warranty of fitness for particular purpose, or any other implied warranty, applies to Ariens Company, then any such implied warranty is limited to the duration of this warranty. Some states do not allow limitations on how long an implied warranty lasts, so the above limitation may not apply to you.

*This warranty gives you specific legal rights, and you may also have other rights which vary from state to state.*



**Ariens Company  
Gravelly**

655 West Ryan Street  
Brillion, WI 54110-1072  
920-756-2141  
Fax 920-756-2407

[www.ariens.com](http://www.ariens.com) or [www.gravelly.com](http://www.gravelly.com)