

OIL FURNACES

Clean, Comfortable Oil Heat



Comfort-Care[®]
MAHS[®]
Delivering Confidence

Features

1 Foil-faced high density fiberglass insulation to minimize noise and heat loss

2 Heavy duty 14 gauge steel heat exchanger engineered for efficiency; covered by limited lifetime warranty

3 Available in upflow, downflow, horizontal, front or rear flue configurations

4 Corrosion-resistant steel cabinet construction with baked enamel finish for durability

5 Easy access stainless steel clean-out ports for complete servicing of heat exchanger

Highboy depicted; components representative of other configurations



6 State-of-the-art Beckett "AFG" burner with flame retention head, PSC burner motor and solid state ignition for smooth igniting

7 High temperature ceramic combustion chamber for quiet, high efficiency combustion

8 Multi-speed direct drive blower assembly with slide-out design and handy plug-in wiring (adjustable belt drive on OLRA200-BH)

9 Primary with integral fan center

10 Honeywell fan/limit for simple operation



Limited Lifetime Warranty
on Heat Exchanger

GeniSys™ Advanced Burner Control

Designed for trouble-free operation, the control has programmable delays for valve on and motor off, and indicator lights to simplify system monitoring and diagnostics. Two communication ports allow the addition of alarm contacts and future wireless communications. Features include technician pump prime mode, limited reset and limited recycle, and welded relay protection.

Quiet, Clean Comfort

A dense, ceramic fiber combustion chamber provides a quiet and efficient operating furnace while foil-faced high density insulation reduces operation sound as well as heat loss. State-of-the-art engineering and top quality components combine to provide clean burning warm air comfort—plus many models come pre-wired to easily add central air conditioning (two to five ton cooling capacities).

Efficiency and Versatility

The Patriot 80 oil furnace is exceptionally efficient and versatile thanks to its powerful heat exchanger that maximizes energy usage to minimize utility costs. Models feature multiple firing rates and capacities ranging from 58,000 to 196,000 BTUH, allowing a wide choice of heating efficiencies.

All models are AFUE rated at 80% or above.

Trouble-Free Maintenance

All components from the welded heat exchanger to the Beckett high efficiency oil burner with flame retention head are built to be reliable. With removable panels and easily accessed clean-out ports, all components are located for simple access and maintenance. In addition, the Patriot 80 features standard components should replacement parts be needed.

Blower Performance

Highboy

DIRECT DRIVE MODEL	MOTOR HP	BLOWER SIZE	TEMP RISE DEG. F	BLOWER SPEEDS	CFM@EXT. STATIC PRESSURE - IN W.C.				
					0.2	0.3	0.4	0.5	0.6
OUFB75-D3	1/3	10 x 8	50-80	HIGH	1410	1355	1300	1220	1155
				MED. HIGH	1260	1215	1170	1120	1060
				MED.	1040	1025	990	960	910
				LOW	885	880	850	830	785
OUFB95-D4	1/2	10 x 10	50-80	HIGH	1755	1695	1940	1590	1495
				MED. HIGH	1445	1425	1400	1335	1285
				MED.	1190	1180	1145	1110	1055
				LOW	990	980	960	925	880
OUFB125-D5	3/4	12 x 11	45-75	HIGH	2090	1995	1940	1835	1760
				MED. HIGH	1835	1785	1725	1660	1595
				MED.	1630	1615	1569	1500	1460
				LOW	1425	1390	1375	1335	1300

Lowboy

DIRECT DRIVE MODEL	MOTOR HP	BLOWER SIZE	TEMP RISE DEG. F	BLOWER SPEEDS	CFM@EXT. STATIC PRESSURE - IN W.C.				
					0.2	0.3	0.4	0.5	0.6
OLFB95-D4/ OLRB95-D4	1/2	10 x 9	45-75	HIGH	1760	1670	1600	1550	1410
				MED. HIGH	1605	1515	1460	1395	1305
				MED.	1375	1345	1300	1260	1190
				LOW	1160	1150	1130	1105	1035
OLFB125-D5 OLRB125-D5	3/4	12 x 10	45-75	HIGH	2360	2275	2190	2130	2025
				MED. HIGH	2000	1975	1900	1835	1790
				MED.	1730	1720	1695	1675	1605
				LOW	1470	1465	1450	1440	1410

Downflow/Horizontal

DIRECT DRIVE MODEL	MOTOR HP	BLOWER SIZE	TEMP RISE DEG. F	BLOWER SPEEDS	CFM@EXT. STATIC PRESSURE - IN W.C.				
					0.2	0.3	0.4	0.5	0.6
ODFB95-D3	1/2	10 x 10	45-75	HIGH	1410	1320	1280	1195	1090
				MED. HIGH	1340	1280	1190	1100	1015
				MED.	1235	1175	1090	1015	920
				LOW	1090	1035	975	900	855
ODRB95-D3	1/2	10 x 10	45-75	HIGH	1485	1400	1305	1210	1105
				MED. HIGH	1380	1305	1220	1150	1035
				MED.	1230	1170	1110	1000	935
				LOW	1055	1020	970	910	835
ODFB125-D5	3/4	12 x 9	45-75	HIGH	2205	2120	2070	2005	1930
				MED. HIGH	1770	1740	1745	1710	1640
				MED.	1550	1530	1515	1485	1455
				LOW	1295	1290	1280	1270	1255

Dimensions

Highboy (in.)

DIMENSIONS	A	B	C	D	E
OUIFB75/95	19 1/2	18	30 5/8	19 5/8	9 3/4
OUIFB125	22 1/2	21	33 5/8	22 5/8	11 1/4
CLEARANCES	FRONT	SIDE		REAR	
All upflow models	4	0		0	
	ABOVE	FLUE		FLOOR	
	2	6		Combustible	

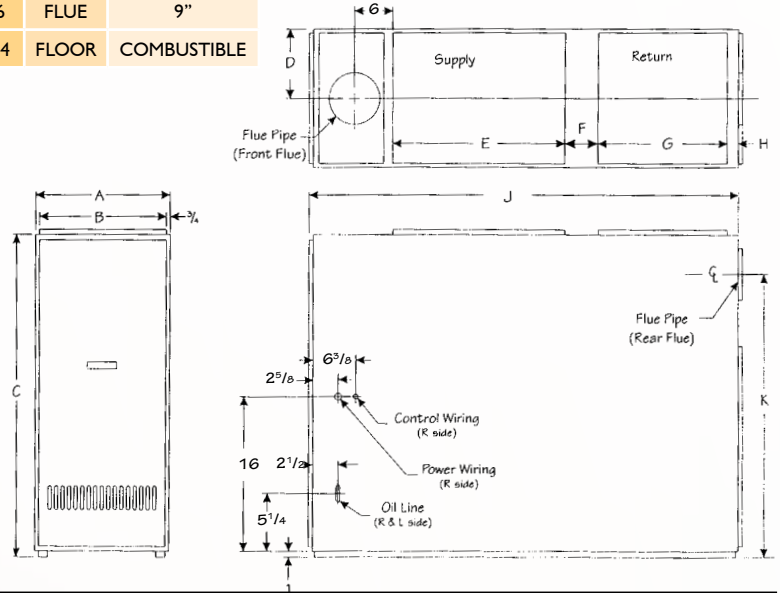
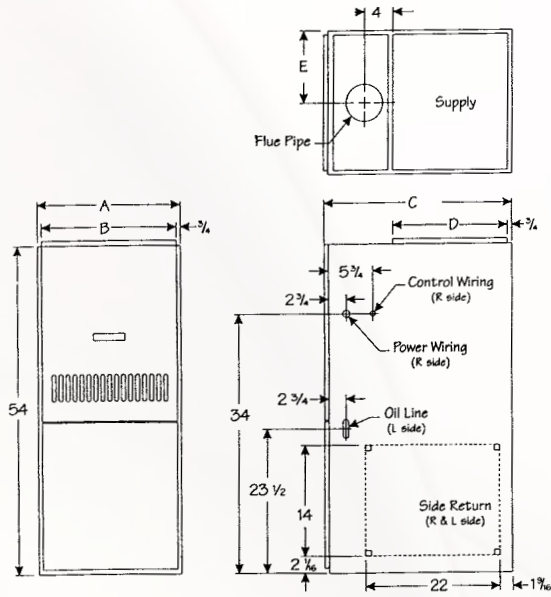
Lowboy (in.)

DIMENSIONS	A	B	C	D	E	F	G	H	J	K*
OLBB95	19 1/2	18	37	9 3/4	21	3 1/4	16	1 1/2	52	N/A
OLRB95	19 1/2	18	37	N/A	21	3 1/4	16	1 1/2	52	27 5/8
OLFB125	22 1/2	21	37	11 1/4	21	3 1/4	16	1 1/2	52	N/A
OLRB125	22 1/2	21	37	N/A	21	3 1/4	16	1 1/2	52	27 5/8

* Rear flue models only.

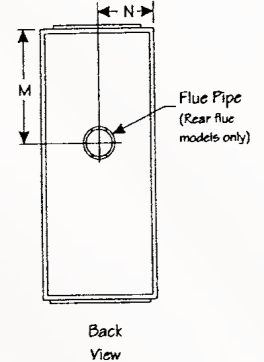
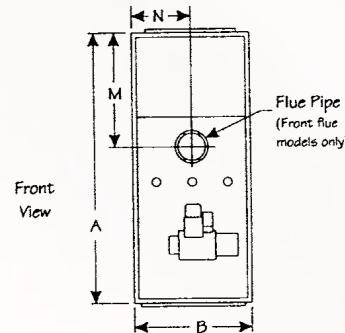
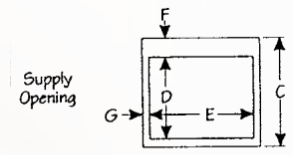
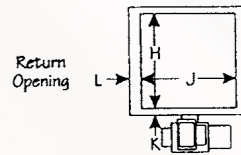
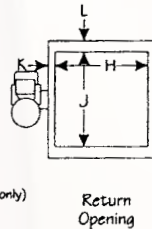
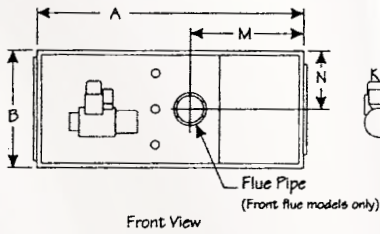
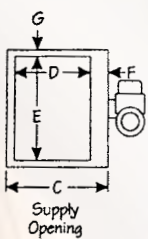
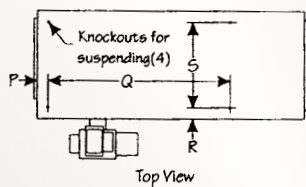
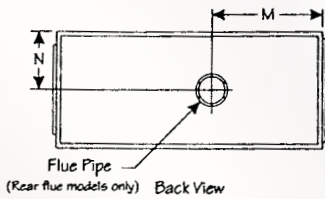
Clearance to Combustibles (in.)

FRONT	4	ABOVE	2"
SIDES	6	FLUE	9"
REAR	24	FLOOR	COMBUSTIBLE



Clearances (in.)

HORIZONTAL POSITION	FRONT	ABOVE	REAR	FLUE	BOTTOM	SIDE
ODFB95/ODFB125	24	1	1	7	1	N/A
ODRB95	24	1	24	7	1	N/A
DOWNFLOW POSITION	FRONT	ABOVE	REAR	FLUE	BOTTOM	SIDE
ODFB95/ODRB95/ODFB125	16	0	1	7	1	Non Combustible



Downflow/Horizontal

DIMENSIONS	A	B	C	D	E	F	G	H	J	K	L	M	N	P	Q	R	S
ODFB95/ODRB95	59	20 1/2	20 1/2	18 1/4	18 1/4	1 1/4	1 1/4	18	18	1 1/4	1 1/4	32 1/2	10 1/4	3	41 1/2	3	14 1/2
ODFB125	59	23 1/2	23 1/2	21 1/4	21 1/4	1 1/4	1 1/4	21	21	1 1/4	1 1/4	32 1/2	11 3/8	3	41 1/2	3	17 1/2

Specifications

NOTES:

All models rated at 140 psi pump pressure except the OUFB75-D3-1A.

All units shipped with high fire nozzle installed. Low fire nozzle included uninstalled.

Highboy

MODEL	NOZZLE SIZE	INPUT BTUH	OUTPUT BTUH	AFUE	NOM. CAP. COOLING	FLUE DIA. (IN.)	FILTER SIZE	VOLTS/ HZ/ PHASE	MAX. TIME DELAY BREAKER OR FUSE	TRANS. VA.	SHIPPING WEIGHT LBS.
OUFB75-D3	.50GPH-80°A	67,500	57,000	84	2.0 - 3.0	6	16 x 25	120/60/1	15 amp	40	230
	.65GPH-80°B	85,500	72,000	84							
OUFB95-D4	.65GPH-80°B	101,000	84,000	83	2.5 - 4.0	6	16 x 25	120/60/1	15 amp	40	250
	.75GPH-80°B	113,500	95,000	83							
OUFB125-D5	.85GPH-80°B	135,000	113,000	83	3.0 - 5.0	6	(2) 16 x 25*	120/60/1	15 amp	40	270
	1.00GPH-80°B	151,000	126,000	83							

NOTES:

*-Requires return air to be brought in on both sides above 1600 cfm.

Upflow models shipped with filter(s) for side return.

Lowboy

MODEL	NOZZLE SIZE	INPUT BTUH	OUTPUT BTUH	AFUE	NOM. CAP. COOLING	FLUE DIA. (IN.)	FILTER SIZE	VOLTS/ HZ/ PHASE	MAX. TIME DELAY BREAKER OR FUSE	TRANS. VA.	SHIPPING WEIGHT LBS.
OLFB95-D4/ OLRB95-D4	.65GPH-80°B	101,000	85,000	83	2.5 - 4.0	6	18 x 19	120/60/1	15 amp	40	225
	.75GPH-80°B	113,500	95,000	83							230
OLFB125-D5/ OLRB125-D5	.85GPH-80°B	134,000	113,000	83	3.0 - 5.0	6	19 x 21	120/60/1	15 amp	40	250
	1.00GPH-80°B	151,000	127,000	83							270

Downflow/Horizontal

MODEL	NOZZLE SIZE	INPUT BTUH	OUTPUT BTUH	AFUE	NOM. CAP. COOLING	FLUE DIA. (IN.)	VOLTS/ HZ/ PHASE	MAX. TIME DELAY BREAKER OR FUSE	TRANS. VA.	SHIPPING WEIGHT LBS.
ODFB95-D3 ODRB95-D3	.65GPH-80°B	101,000	85,000	83	2.0 - 3.0	6	120/60/1	15 amp	40	250
	.75GPH-80°B	113,500	95,000	83						
ODFB125-D5	.85GPH-80°B	135,000	113,000	84	3.0 - 5.0	6	120/60/1	15 amp	40	270
	1.00GPH-80°B	150,000	126,000	84						

Filters are not shipped with downflow/horizontal models.

Downflow/Horizontal

Combustible floor bases used on
75 & 95 models - 7605-100
125 models - 7605-101

Filters

75 & 95 models - 7605-102
125 models - 7605-103

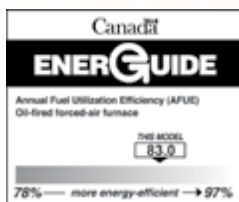
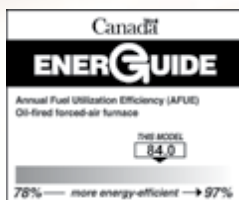
Clean Out Kit

7605-104 (all models)

Oil Furnaces

The compact Patriot 80 comes in a variety of configurations to fit virtually anywhere, including utility rooms, alcoves, closets, crawl spaces and attics. In addition to upflow, downflow/horizontal, rear flue and front flue versions, models are available in heat only or A/C ready combinations.

In selecting a furnace, oversizing is not recommended—the closer the heating output is matched to the heat loss of the residence, the more comfortable the homeowner will be while saving on fuel usage. With the Patriot 80, the model can be easily matched to the desired heating requirements: units are built with multiple firing rates and a simple nozzle change adjusts the firing rate to the heating requirement.



All Patriot 80 Oil Furnaces are covered by a limited Lifetime Warranty on the heat exchanger and a 5 Year Warranty on other parts. Some limitations apply, see printed warranty on web site for details.

Due to ongoing product improvements, specifications and dimensions are subject to change and correction without notice or incurring obligations. Determining the application and suitability for use of any product is the responsibility of the installer. Additionally, the installer is responsible for verifying dimensional data on the actual product prior to beginning any installation preparations.

Third party incentive and rebate programs have precise requirements as to product performance and certification. All products meet applicable regulations in effect on date of manufacture; however, certifications are not necessarily granted for the life of a product. Therefore, it is the responsibility of the applicant to determine whether a specific model qualifies for these incentive/rebate programs.