



Indoor Comfort Products Brought to You
by the Manufactured Home Experts!

Heat Pump AccuCharge® Split Systems (SEER2)



Micro-Channel Condenser

Robust Post and Jacket Design has independent louvered panels that are easily removed for service and maintenance, while protecting the coil from yard debris and extreme weather.

Corner-Post Packaging creates a gap around the entire unit, distributes the load evenly, and minimizes contact with the carton; so the unit arrives safely to your customer.

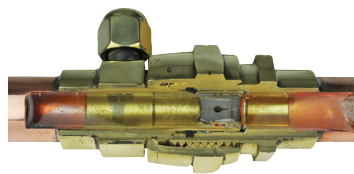
Micro-Channel Coils minimize refrigerant charge and cost; while mounted on a rugged, composite drain pan with damage-preventing molded steps and drainage holes, in a single competitive footprint.

AccuCharge Systems consist of pre-charged equipment and line sets with unique, quick-connect fittings; to significantly reduce the time, personnel, and skill-set needed to install.

Dependable Warranty handled directly by Style Crest's dedicated HVAC Team, offering the most competitive warranty coverage and service in the Manufactured Housing Industry.



Micro-Channel Coil



Cutaway of FitRight® Fitting



Coil Accessory Kit



Line Set with FitRight Fittings



www.stylecrestinc.com | 800.945.4440

Heat Pump AccuCharge® Split Systems (SEER2)

Nominal Tons ¹	Style Crest Item #	AHRI Model #	Cooling Capacity	SEER2	EER2	Heating Capacity	HSPF2	R-410A Charge	MCA	MOP	Sound
2	RSH3QE4MIRP24	RSH3QE4MIRP24K	23.4 MBH	14.3	11.8	23.4 MBH	7.5	96 Oz	12.4	20 A	75 dB
2.5	RSH3QE4MIRP30	RSH3QE4MIRP30K	30 MBH	14.3	11.8	30 MBH	7.5	99 Oz	15	25 A	75 dB
3	RSH3QE4MISP36	RSH3QE4MISP36K	34 MBH	14.3	11.8	35.4 MBH	7.5	101 Oz	18.7	30 A	75 dB
3.5	RSH3QE4MISP42	RSH3QE4MISP42K	39 MBH	14.3	11.8	41 MBH	7.5	112 Oz	23.6	40 A	79 dB
4	RSH3QE4MISP48	RSH3QE4MISP48K	44.5 MBH	14.3	11.8	46.5 MBH	7.5	123 Oz	26.3	40 A	79 dB

1) Refer to AHRI listings for actual capacities and performance data.

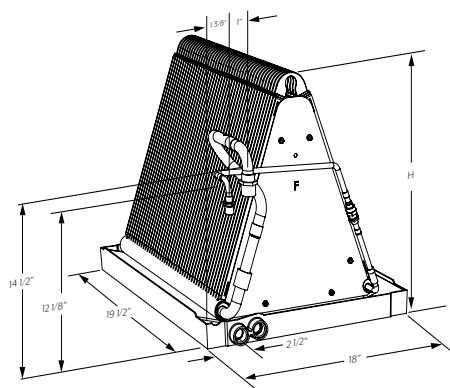
Nom. Tons ¹	Style Crest Item #	Item Width	Item Depth	Item Height	Minimum Pad Size	Liquid Line ø	Suction Line ø	Ship Width	Ship Depth	Ship Height	Ship Weight	UPC/GTIN
2	RSH3QE4MIRP24	31 3/4"	31 3/4"	37 1/4"	32" x 32"	3/8"	3/4"	35 1/2"	35 1/2"	38 3/4"	125 lbs	663132452477
2.5	RSH3QE4MIRP30	31 3/4"	31 3/4"	45 1/4"	32" x 32"	3/8"	3/4"	35 1/2"	35 1/2"	46 3/4"	165 lbs	663132452460
3	RSH3QE4MISP36	31 3/4"	31 3/4"	45 1/4"	32" x 32"	3/8"	3/4" ²	35 1/2"	35 1/2"	46 3/4"	169 lbs	663132452453
3.5	RSH3QE4MISP42	31 3/4"	31 3/4"	45 1/4"	32" x 32"	3/8"	7/8"	35 1/2"	35 1/2"	46 3/4"	201 lbs	663132452446
4	RSH3QE4MISP48	31 3/4"	31 3/4"	45 1/4"	32" x 32"	3/8"	7/8"	35 1/2"	35 1/2"	46 3/4"	218 lbs	663132452439

2) Line set vapor line increases to 7/8" over **39 ft** equivalent length.

Micro-Channel Indoor (Evaporator) A-Coil Matches with TXV

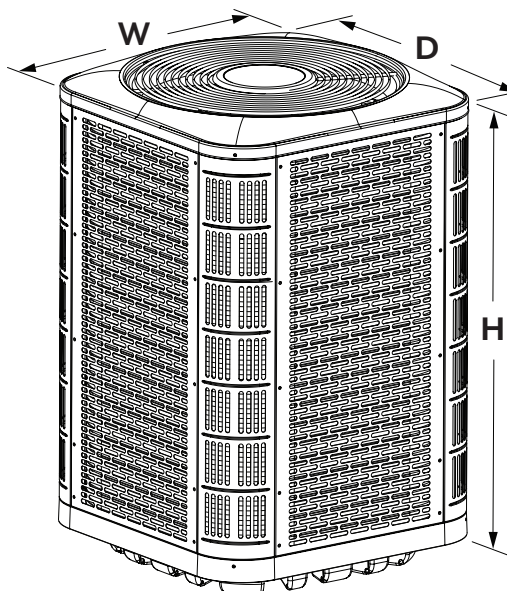
Nom. Tons ¹	Condenser Item #	Indoor Coil Item #	AHRI Cert. #	Coil Height	Min. Coil Box Ht.
2	RSH3QE4MIRP24	C84QAMX24U-B	209852000	18"	20"
2.5	RSH3QE4MIRP30	C84QAMX30U-B	209852001	18"	20"
3	RSH3QE4MISP36	C84QAMX36U-B	209852002	18"	20"
3.5	RSH3QE4MISP42	C84QAMX43U-B	209852003	25"	26"
4	RSH3QE4MISP48 ³	C84QAMX49U-B ³	210589005 ³	29"	31"

3) REQUIRES an E7* furnace model with high-static blower #1044062.



AccuCharge R-410A Line Sets

Line Set Item #	Line Length	Liquid Line ø	Suction Line ø	Suction Insulation
4463Q1531	15 ft	3/8"	3/4"	3/8"
4463Q2031	20 ft	3/8"	3/4"	3/8"
4463Q2531	25 ft	3/8"	3/4"	3/8"
4463Q3031	30 ft	3/8"	3/4"	3/8"
4463Q4031	40 ft	3/8"	3/4"	3/8"
4463Q5031	50 ft	3/8"	3/4"	3/8"
4473Q1531	15 ft	3/8"	7/8"	3/8"
4473Q2031	20 ft	3/8"	7/8"	3/8"
4473Q2531	25 ft	3/8"	7/8"	3/8"
4473Q3031	30 ft	3/8"	7/8"	3/8"
4473Q4031	40 ft	3/8"	7/8"	3/8"
4473Q5031	50 ft	3/8"	7/8"	3/8"
4473Q7031	70 ft	3/8"	7/8"	3/8"



Note: A furnace blower upgrade and/or time delay relay-TDR may be required to achieve the published AHRI-rated performance.