

Job Name/Location:

Tag #:

Date:

For:	File	Resubmit
	Approval	Other_____

PO No.:

Architect: \_\_\_\_\_ GC: \_\_\_\_\_

Engr: \_\_\_\_\_ Mech: \_\_\_\_\_

Rep: \_\_\_\_\_  
(Company) (Project Manager)

# LH128HV1

## Single Zone Mid Static Ducted

Outdoor Unit (ODU) - LUU120HV, Indoor Unit (IDU) - LHN128HV1



### Performance:

#### Cooling:

Cooling (Min~Rated~Max, Btu/h)	4,640 ~ 12,000 ~ 14,000
SEER2	16.00
EER2	11.70

SEER - Seasonal Energy Efficiency Ratio      EER - Energy Efficiency Ratio

#### Heating:

Heating (Min~Rated~Max, Btu/h)	6,400 ~ 15,000 ~ 17,800
HSPF2	10.50

HSPF - Heating Seasonal Performance Factor

Cooling Nominal Test Conditions:

Indoor: 80°F DB / 67°F WB  
Outdoor: 95°F DB / 75°F WB

Heating Nominal Test Conditions:

Indoor: 70°F DB / 60°F WB  
Outdoor: 47°F DB / 43°F WB

### Electrical:

Power Supply <sup>1</sup> (V/Hz/Ø)	208-230/60/1
------------------------------------	--------------

### Outdoor Unit:

MOP (A)	15
MCA (A)	12.3
Cooling Rated Amps (A)	10.95
Heating Rated Amps (A)	10.95
Compressor(A)	9.0
Fan Motor (IDU + ODU) (A)	1.7 + 0.25
Cooling Power Input (kW)	0.26 ~ 1.03 ~ 1.44
Heating Power Input (kW)	0.37 ~ 1.27 ~ 1.76

MOP - Maximum Overcurrent Protection

MCA - Minimum Circuit Ampacity

### Piping:

Installed Liquid Pipe (in., O.D.)	1/4
Installed Vapor Pipe (in., O.D.)	3/8
IDU Liquid Connection (in., O.D.)	1/4
IDU Vapor Connection (in., O.D.)	3/8
Additional Refrigerant (oz./ft.)	0.22
Max. Pipe Length <sup>2</sup> (ft.)	66
Piping Length (no add'l refrig., ft.)	24.9
Max. Elevation (ft.)	49

### Features:

- ESP control
- Hot start
- Internal Condensate Pump
- Inverter (variable speed fan)
- Auto restart
- Control lock
- Group control
- Timer (on/off)
- Sleep Mode
- Optional Wi-Fi Control
- Aux Heater relay kit

### Optional Accessories:

- MultiSITE™ CRC2 - PREMTBVC2
- MultiSITE™ CRC2+ - PREMTBVC3
- MultiSITE™ CRC2+Z - PREMTBVC4
- Simple Controller - PREMTCC00U
- Wi-Fi module with cable - PWFMD200
- Dynamic V8 2VL Low Profile Air Cleaner - ZPLMV201A
- Dry Contact (Simple)- PDRYCB300
- Dry Contact (3rd Party) - PDRYCB300
- Dry Contact (Setback)- PDRYCB400
- Vertical Installation Conversion Kit - ABDAMA0
- High Efficiency Filter Box - ZFBXMA01A
- Low Ambient Wind Baffle (Cooling operation to -4°F) ZLABGP01A
- Drain Pan Heater - PQSH1202

For a complete list of available accessories, contact your distributor. For continual product development, LG reserves the right to change specifications without notice. © LG Electronics U.S.A., Inc., Englewood Cliffs, NJ. All rights reserved. "LG Life's Good" is a registered trademark of LG Corp. /www.lghvac.com

### Operating Range:

#### Outdoor Unit:

Cooling (°F DB)	0 to 118
Heating (°F WB)	-4 to 64

#### Indoor Unit:

Cooling (°F WB)	57 to 77
Heating (°F DB)	59 to 81

### System Data:

Refrigerant Type	R410A
Refrigerant Control	EEV
Refrigerant Charge (lbs.)	2.43
ODU Sound Pressure Max (Cool / Heat) ±3 dB(A) <sup>3</sup>	49 / 52
IDU Sound Pressure (H/M/L) ±3 dB(A) <sup>3</sup>	31 / 29 / 28
ODU Net / Shipping Weight (lbs.)	71 / 76
IDU Net / Shipping Weight (lbs.)	61.5 / 71.7
Heat Exchanger Coating	GoldFin™

### Fan:

ODU Type	Propeller
IDU Type	Sirocco
Fan Speeds (Fan/Cool/Heat)	3 / 3 / 3
Fan Quantity (ODU + IDU)	1
Motor/Drive	Brushless Digitally Controlled/Direct
ODU Air Circulation (CFM)	988
IDU Air Circulation (H/M/L) (CFM)	494.4 / 423.8 / 353.1
Default ESP (in wg)	0.24
Minimum ESP/Fan Setting Value <sup>4</sup>	0.1 / 76
Maximum ESP/Fan Setting Value <sup>4</sup>	0.59 / 151
Dehumidification Rate (pts/hr)	1.44

### Notes:

1. Acceptable operating voltage: 187V-253V.
2. Piping lengths are equivalent.
3. Sound Pressure levels are tested in an anechoic chamber under ISO Standard 3745.
4. Maximum static pressure may result in reduced airflow (CFM).
5. All communication / connection (power) cable from the outdoor unit to the indoor unit is field supplied and is to be minimum four-conductor, 14 AWG, stranded, shielded or unshielded (if shielded, it must be grounded to the chassis of the outdoor unit only), and must comply with applicable local and national codes.
6. See Engineering Manual for sensible and latent capacities.
7. Power wiring cable size must comply with the applicable local and national code.
8. The indoor unit comes with a dry helium charge.
9. This data is rated 0 ft. above sea level, with 24.6 ft. of refrigerant line and a 0 ft. level difference between outdoor and indoor units.
10. Must follow installation instructions in the applicable LG installation manual.
11. If the optional low ambient wind baffle is used, one wind baffle is required for each ODU fan.



Proper sizing and installation of equipment is critical to achieve optimal performance. Split system air conditioners and heat pumps (excluding ductless systems) must be matched with appropriate coil components to meet ENERGY STAR® criteria. Ask your contractor for details or visit www.energystar.gov. (ENERGY STAR and the ENERGY STAR mark are registered trademarks owned by the U.S. Environmental Protection Agency.)

SB\_SZ\_Mid\_Static\_Ducted\_LH128HV1\_2023\_09\_26\_105334

# LH128HV1

## Single Zone Mid Static Ducted

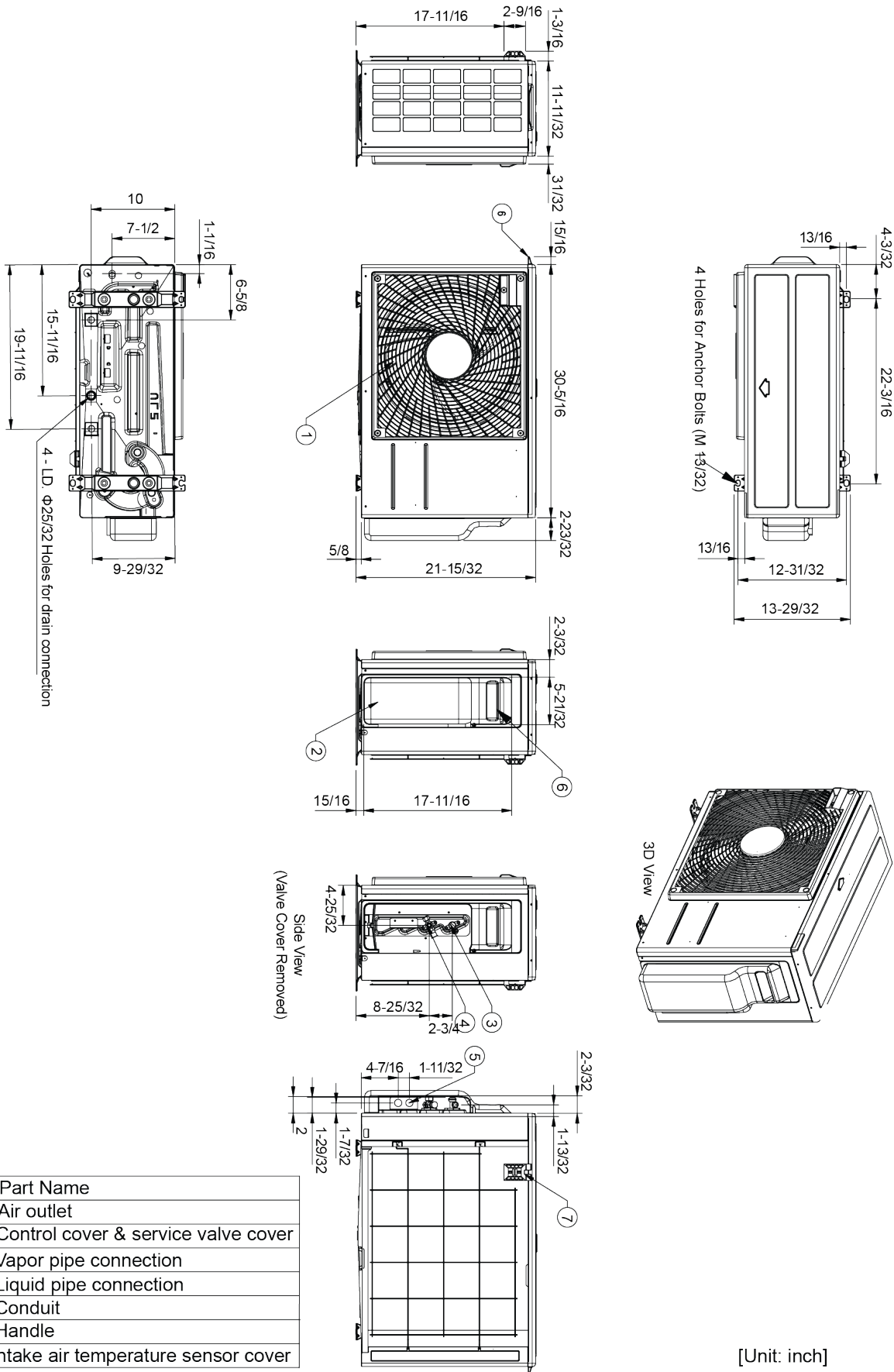
Outdoor Unit (ODU) - LUU120HV, Indoor Unit (IDU) - LHN128HV1



Tag No.: \_\_\_\_\_

Date: \_\_\_\_\_

PO No.: \_\_\_\_\_



No.	Part Name
1	Air outlet
2	Control cover & service valve cover
3	Vapor pipe connection
4	Liquid pipe connection
5	Conduit
6	Handle
7	Intake air temperature sensor cover

[Unit: inch]

Job Name/Location: \_\_\_\_\_

# LH128HV1

Single Zone Mid Static Ducted

Outdoor Unit (ODU) - LUU120HV, Indoor Unit (IDU) - LHN128HV1



Tag No.: \_\_\_\_\_

Date: \_\_\_\_\_

PO No.: \_\_\_\_\_

