

ENGINEERING DATA

air+health

Cascade Series

CA2, CA3, CA4, CA5 Whole House Fans

CASCADE™

Series



MODEL

PART NUMBER

<input type="checkbox"/>	Cascade CA2	602603902
<input type="checkbox"/>	Cascade CA3	602603903
<input type="checkbox"/>	Cascade CA4	602603904
<input type="checkbox"/>	Cascade CA5	602603905

ITEMS INCLUDED IN KIT

- Fan assembly
- 7 feet of acoustically insulated flexduct
- Gravity damper assembly
- Duct Adapter Assembly (as required)
- White cube core inlet grille with fasteners
- Wall Control for 1 or 2 speeds
- Instruction manual
- Installation hardware

ELECTRICAL REQUIREMENTS

VentCool Models	Dedicated Circuit (Amps)	Voltage	Watts	Motor HP
CA2	15	120v	279	1/3
CA3	15	120v	341	1/3
CA4	15	120v	667	1/2
CA5	15	120v	781	1/2

OPTIONAL ACCESSORIES

- Digital Wall Timer/Temp Ctl w/ RJ12 Cable includes FC3JF Fan Relay 602604201
- Remote Timer/Temp Control Includes AH-WTT Control Package 602604202
- WiFi Module includes AH-WTT Digital Wall Control Package 602604203
- WiFi Switch Assembly includes App, and FC3JF for Wireless install 602604204

DESCRIPTION

Cascade Whole House Fans are mechanical ventilation cooling systems. The occupant-controlled system allows for low temperature outdoor air to be introduced in a home or building through open windows. The indoor air is circulated to cool the living space and exhausted into the attic where it is then vented to the outdoors. Outdoor air will warm relative to the indoor temperature and the low energy ventilation cooling fan is disengaged and windows closed.

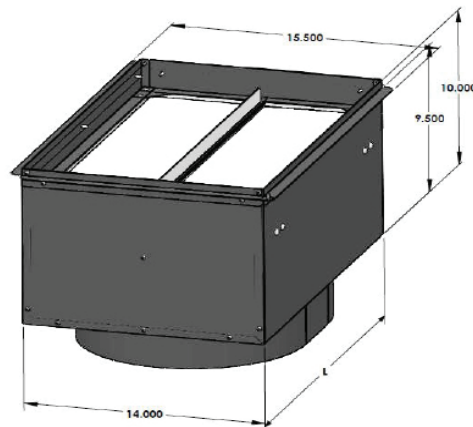
FEATURES

- CA Title 24 Listed
- Galvanized Steel fan housing
- Wall Mount 2-Speed Control
- 7 feet of insulated, noise reducing flexduct
- AirLoc™ R-5 Gravity Damper
- All models designed to plug into 120 VAC, 15 amp, dedicated power, standard wall outlet
- Removable plaster guards
- Dramatic energy savings
- Permanent Split Capacitor (PSC) motors
- Ultra-quiet operation
- Easy installation
- Heavy Gauge Material

PRODUCT OFFERING

Cascade Series with AirLoc™ Gravity Damper													
Model	Fan Airflow (GROSS) CFM	HVI-916 std. CA Title 24 (NET) CFM	Watts	CFM per Watts	Watts per CFM	Sound Level (dBA)	Speed Control Timer	Acoustical Silencer Duct	Rough Opening (inches)	Grille Size (Inch x Inch)	Damper Blade R-Value	Attic Venting (sq ft)	Open Window (sq ft)
	Sizing 2 cfm/sqft	Sizing 1.5 cfm/sqft											
Cascade CA2	2369	1932	295	6.55	.15	54	1 or 2spd	16" x 7ft	14.25x22.25	16 X 24	R-5	3.9	7.7
Cascade CA3	3339	2759	350	7.88	.13	53	1 or 2spd	18" x 7ft	14.25x22.25	16 X 24	R-5	5.5	11.0
Cascade CA4	4590	3640	430	8.47	.12	56	1 or 2spd	20" x 7ft	14.25x30.25	16 X 32	R-5	7.3	14.6
Cascade CA5	5902	4123	630	6.54	.15	59	1 or 2spd	20" x 7ft	14.25x30.25	16 X 32	R-5	8.2	16.5

DIMENSIONAL DATA



air+health

Air Health
2630 Airport Road
Kinston, NC 28504
252 522-3031
Fax: 1 (800) 367-7942

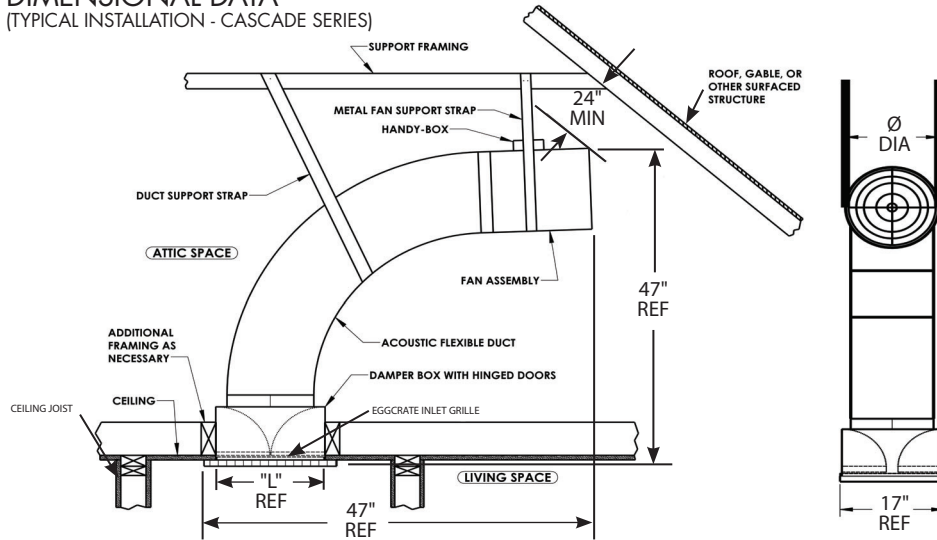
Air Health
9154 Stellar Court
Corona, CA 92883
951-277-0304

Visit us at: www.airhealth.com

Air Health reserves the right to modify a product, without prior notice, whether in design, color or specifications, in order to offer at all times a quality product that is highly competitive. Please consult your national and local building codes to find out whether the installation of electrical products requires the services of a certified technician or electrician. AirHealth and Cascade™ are registered Trademarks used under license by Air Health. All rights reserved.

ENGINEERING DATA

DIMENSIONAL DATA (TYPICAL INSTALLATION - CASCADE SERIES)



Cascade Models	Dimension (in inches)	
	L	DIA
Cascade CA2	22	18
Cascade CA3	22	18
Cascade CA4	30	20
Cascade CA5	30	22

NOTE: 1. 17" measurement includes flanged dimensions
2. 47" measurements are dependent on bend radius. Duct supplied is 7 feet in length.

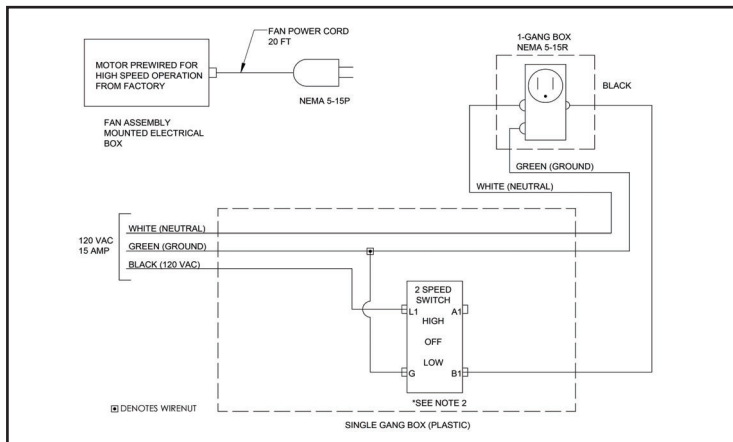
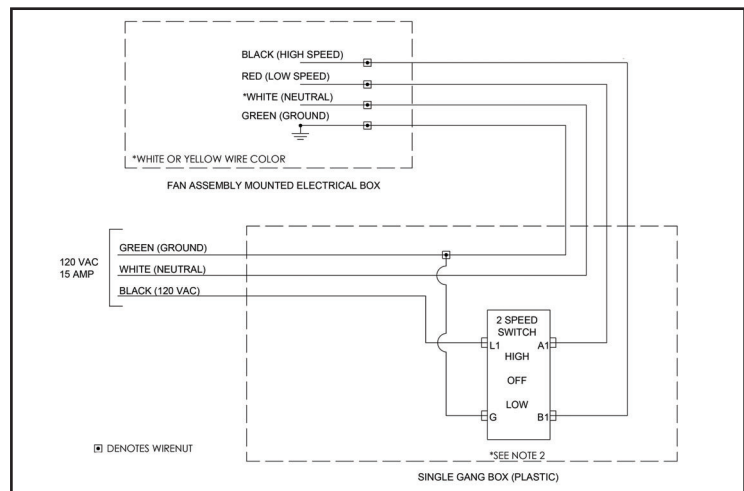


DIAGRAM 1:
For CA2-CA5 Models with Single Speed and Hardwired to a Fan

DIAGRAM 2:
For CA2-CA5 Models with 2 Speed Wall Control



PROJECT INFORMATION

Quoted by:	Date:
Project:	Remarks:
Quantity:	
Model:	
Site:	
Architect:	
Engineer:	
Contractor:	



Air Health
2630 Airport Road
Kinston, NC 28504

252 522-3031
Fax: 1 (800) 367-7942

Visit us at: www.airhealth.com

Air Health
9154 Stellar Court
Corona, CA 92883

951-277-0304