
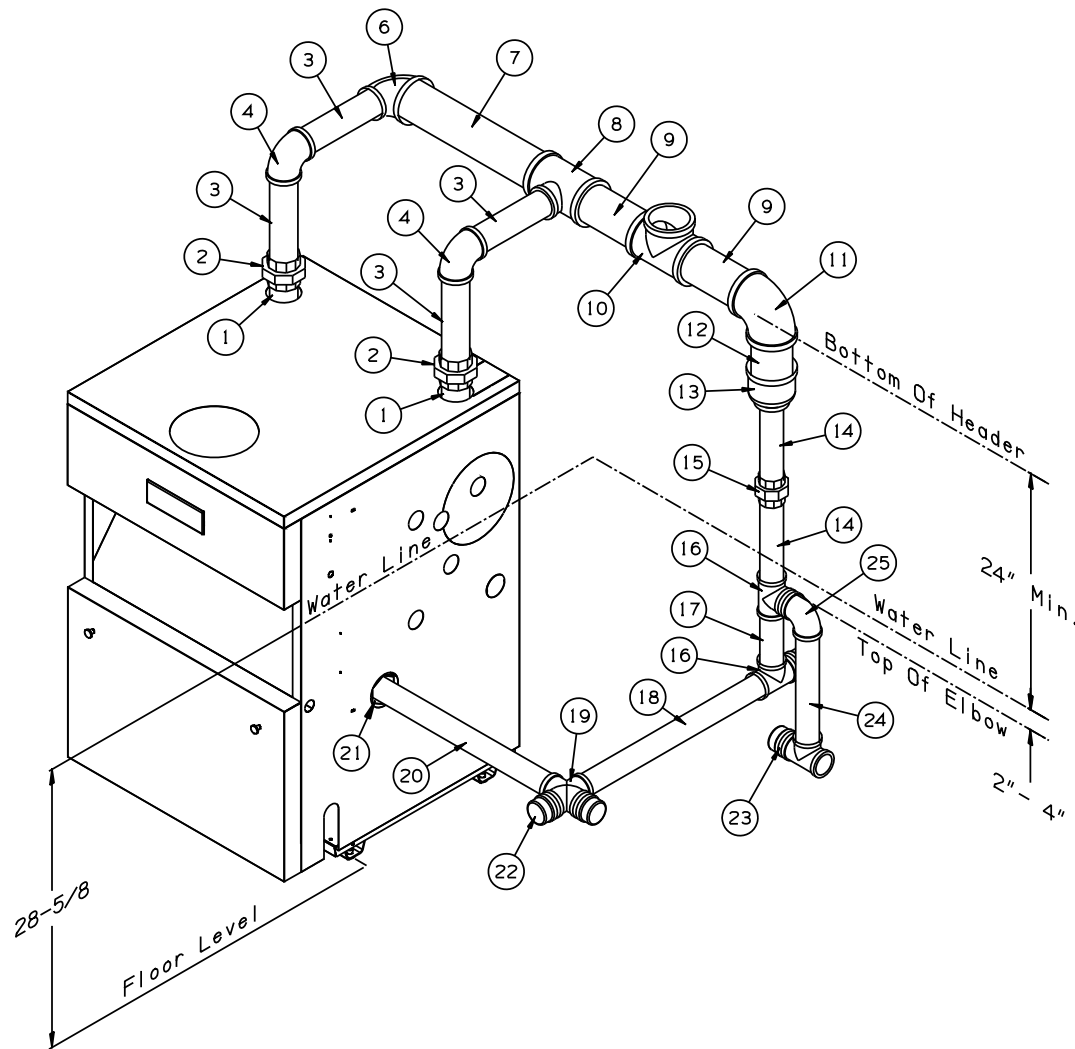


NOTE: INCLUDE A COPY OF THIS DRAWING IN BSI KIT 1.

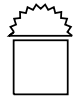
BSI Kit 1	Number	Quantity	Description
	1	1	2" x 8" Pipe Nipple <small>(supplied with boiler)</small>
	2	1	2" Union
	3	1	2" x 9" Pipe Nipple
	4	2	2" - 90° Elbow
	5 (069)	1	2" x 10-1/2" Pipe Nipple
	5 (103)	1	2" x 14" Pipe Nipple
	5 (138)	1	2" x 17" Pipe Nipple
	5 (172)	1	2" x 20-1/2" Pipe Nipple
	6	1	2" - Tee
	7	1	2" x 7" Pipe Nipple
	8	1	2" x 5-1/2" Pipe Nipple
	9	1	2" x 1-1/2" Reducer
	10	2	1-1/2" x 9" Pipe Nipple
	11	1	1-1/2" - Union
	12	3	1-1/2" - Tee
	13	1	1-1/2" x 6" Pipe Nipple
	14	1	1-1/2" x 8-1/2" Pipe Nipple
	15	1	1-1/2" - Cross
	16	1	1-1/2" x 13" Pipe Nipple
	17	1	2" x 1-1/2" - Hex Bushing
	18	4	1-1/2" - Cap
	19	1	1-1/2" - 90° Elbow
	20	1	1-1/2" x 12" Pipe Nipple
	21	5	1-1/2" x Close Nipple

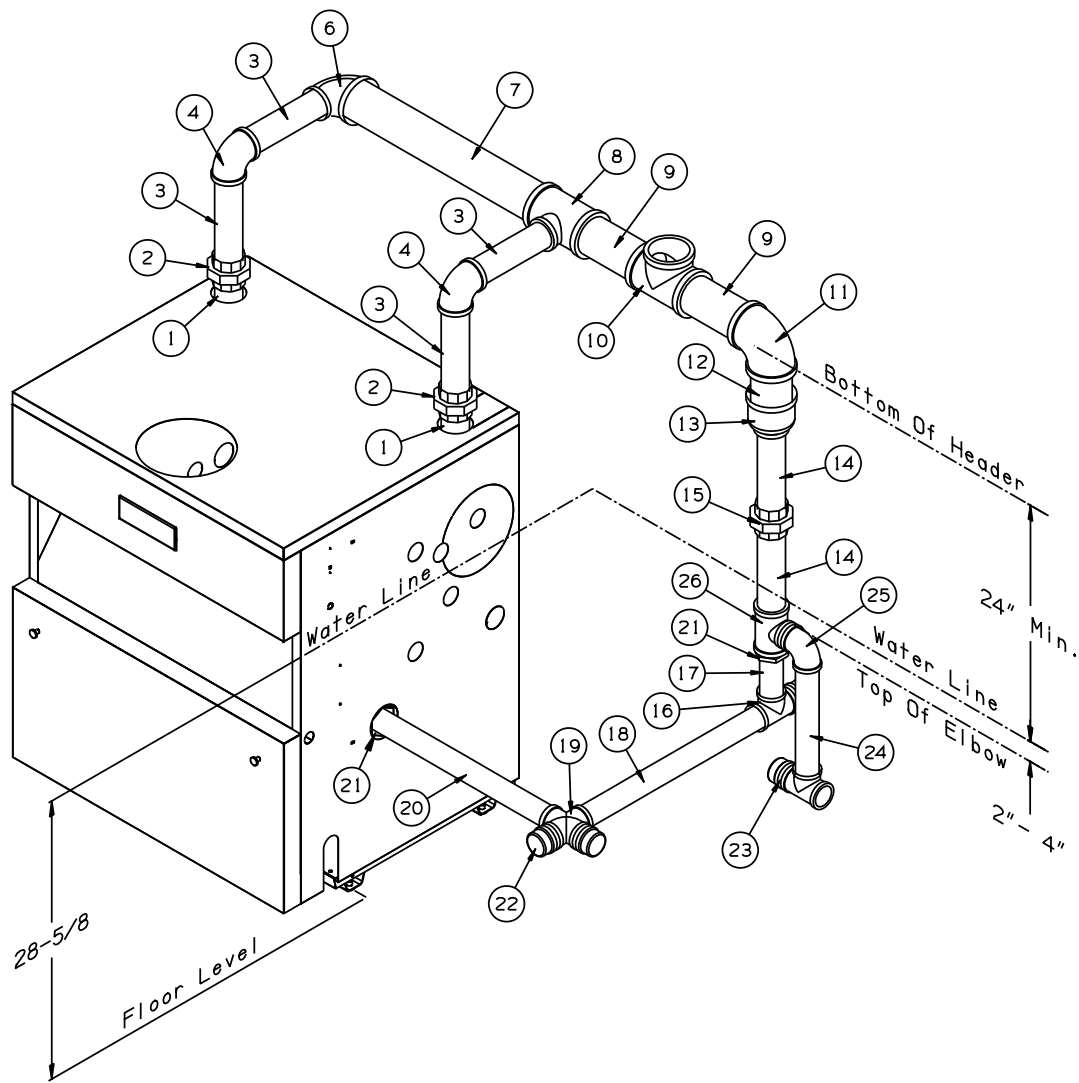
 SIZE C DRAWN BY JJP ENG.	A Added Note & Part Number		JP	6-6-13
	BSI Kit 1 Near Boiler Piping For Models 069, 103, 138 & 172			
<b>CROWN BOILER CO.</b>				
ENG.	MAT'L	DATE	SCALE	REV
	NA	6-5-13	NA	A
		PART NO. 850095	ENG. NO. IND-030	



BSI Kit 2	Number	Quantity	Description
	1	2	2" x 8" Pipe Nipple (supplied with boiler)
	2	2	2" Union
	3	4	2" x 9-1/2" Pipe Nipple
	4	2	2" - 90° Elbow
	-	-	-
	6	1	3" x 2" - Reducing Elbow
	7	1	3" x 17" Pipe Nipple
	8	1	3" x 2" x 3" Reducing Tee
	9	2	3" x 8" Pipe Nipple
	10	1	3" x 3" x 3" Tee
	11	1	3" - 90° Elbow
	12	1	3" x 5" Pipe Nipple
	13	1	3" x 1-1/2" Reducing Coupling
	14	2	1-1/2" x 9" Pipe Nipple
	15	1	1-1/2" - Union
	16	3	1-1/2" Tee
	17	1	1-1/2" x 6" Pipe Nipple
	18	1	1-1/2" x 21-1/2" Pipe Nipple
	19	1	1-1/2" Cross
	20	1	1-1/2" x 21" Pipe Nipple
	21	1	2" x 1-1/2" Hex Bushing
	22	4	1-1/2" Cap
	23	5	1-1/2" Close Nipple
	24	1	1-1/2" x 12" Pipe Nipple
	25	1	1-1/2" 90° Elbow

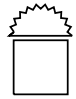
NOTE: INCLUDE A COPY OF THIS DRAWING IN BSI KIT 2.

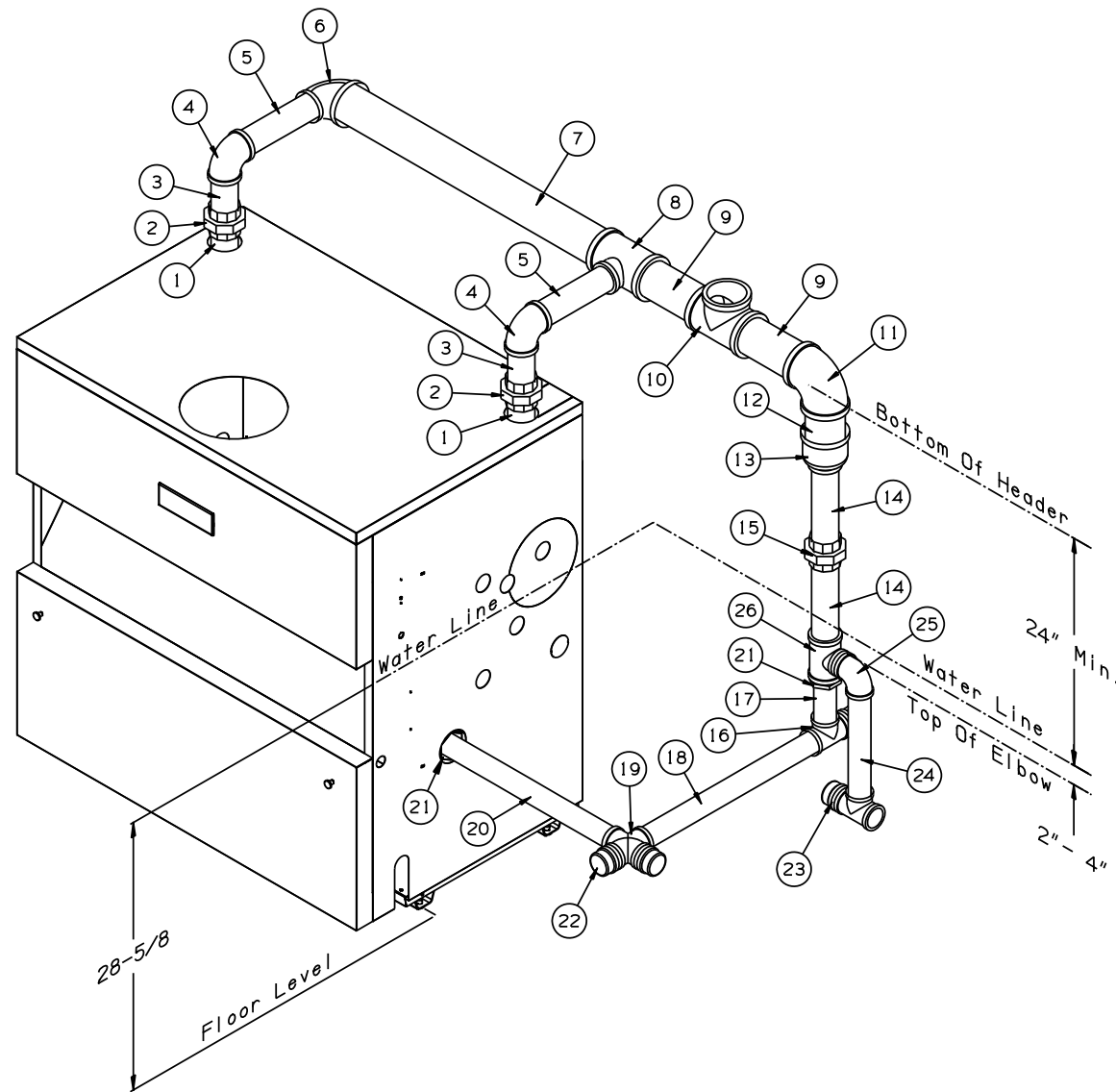
 SIZE C DRAWN BY JP ENG.	A Added Note & Part Number		JP	6-6-13
	BSI Kit 2 Near Boiler Piping For Model 207			
<b>CROWN BOILER CO.</b>				
ENG.	MAT'L	NA	DATE 6-5-13	SCALE NA
	PART NO.	850096	DRG NO.	IND-031
				REV A



NOTE: INCLUDE A COPY OF THIS DRAWING IN BSI KIT 3.


BSI Kit 3	Number	Quantity	Description
	1	2	2" x 8" Pipe Nipple (supplied with boiler)
	2	2	2" Union
	3	4	2" x 9-1/2" Pipe Nipple
	4	2	2" - 90° Elbow
	-	-	-
	6	1	3" x 2" - Reducing Elbow
	7 (241)	1	3" x 20" Pipe Nipple
	7 (276)	1	3" x 23-1/2" Pipe Nipple
	8	1	3" x 2" x 3" Reducing Tee
	9	2	3" x 8" Pipe Nipple
	10	1	3" x 3" x 3" Tee
	11	1	3" - 90° Elbow
	12	1	3" x 4-1/2" Pipe Nipple
	13	1	3" x 2" Reducing Coupling
	14	2	2" x 9" Pipe Nipple
	15	1	2" - Union
	16	3	1-1/2" Tee
	17	1	1-1/2" x 5" Pipe Nipple
	18	1	1-1/2" x 21-1/2" Pipe Nipple
	19	1	1-1/2" Cross
	20	1	1-1/2" x 21" Pipe Nipple
	21	2	2" x 1-1/2" Hex Bushing
	22	4	1-1/2" Cap
	23	5	1-1/2" Close Nipple
	24	1	1-1/2" x 12" Pipe Nipple
	25	1	1-1/2" 90° Elbow
	26	1	2" x 1-1/2" x 2" Reducing Tee

 SIZE C DRAWN BY JP ENG.	A Added Note & Part Number		JP	6-6-13
	BSI Kit 3 Near Boiler Piping For Models 241 & 276			
<b>CROWN BOILER CO.</b>				
	MAT'L	NA	DATE 6-5-13	SCALE NA
	PART NO.	850097	DRG NO.	IND-032
				REV A



NOTE: INCLUDE A COPY OF THIS DRAWING IN BSI KIT 4.

BSI Kit 4	Number	Quantity	Description
	1	2	2" x 13" Pipe Nipple <sup>(supplied with boiler)</sup>
	2	2	2" Union
	3	2	2" x 4-1/2" Pipe Nipple
	4	2	2" - 90° Elbow
	5	2	2" X 9-1/2" Pipe Nipple
	6	1	3" x 2" - Reducing Elbow
	7 (311)	1	3" x 26-1/2" Pipe Nipple
	7 (346)	1	3" x 30" Pipe Nipple
	7 (379)	1	3" x 33" Pipe Nipple
	8	1	3" x 2" x 3" Reducing Tee
	9	2	3" x 8" Pipe Nipple
	10	1	3" x 3" x 3" Tee
	11	1	3" - 90° Elbow
	12	1	3" x 4-1/2" Pipe Nipple
	13	1	3" x 2" Reducing Coupling
	14	2	2" x 9" Pipe Nipple
	15	1	2" - Union
	16	3	1-1/2" Tee
	17	1	1-1/2" x 5" Pipe Nipple
	18	1	1-1/2" x 21-1/2" Pipe Nipple
	19	1	1-1/2" Cross
	20	1	1-1/2" x 21" Pipe Nipple
	21	2	2" x 1-1/2" Hex Bushing
	22	4	1-1/2" Cap
	23	5	1-1/2" Close Nipple
	24	1	1-1/2" x 12" Pipe Nipple
	25	1	1-1/2" 90° Elbow
	26	1	2" x 1-1/2" x 2" Reducing Tee

 SIZE C DRAWN BY JJP ENG.	A Added Note & Part Number		JP	6-6-13
	BSI Kit 4 Near Boiler Piping For Models 311, 346 & 379			
<b>CROWN BOILER CO.</b>				
ENG.	MAT'L	NA	DATE	6-5-13
			SCALE	NA
			PART NO.	850098
			ENG NO.	IND-033
			REV	A