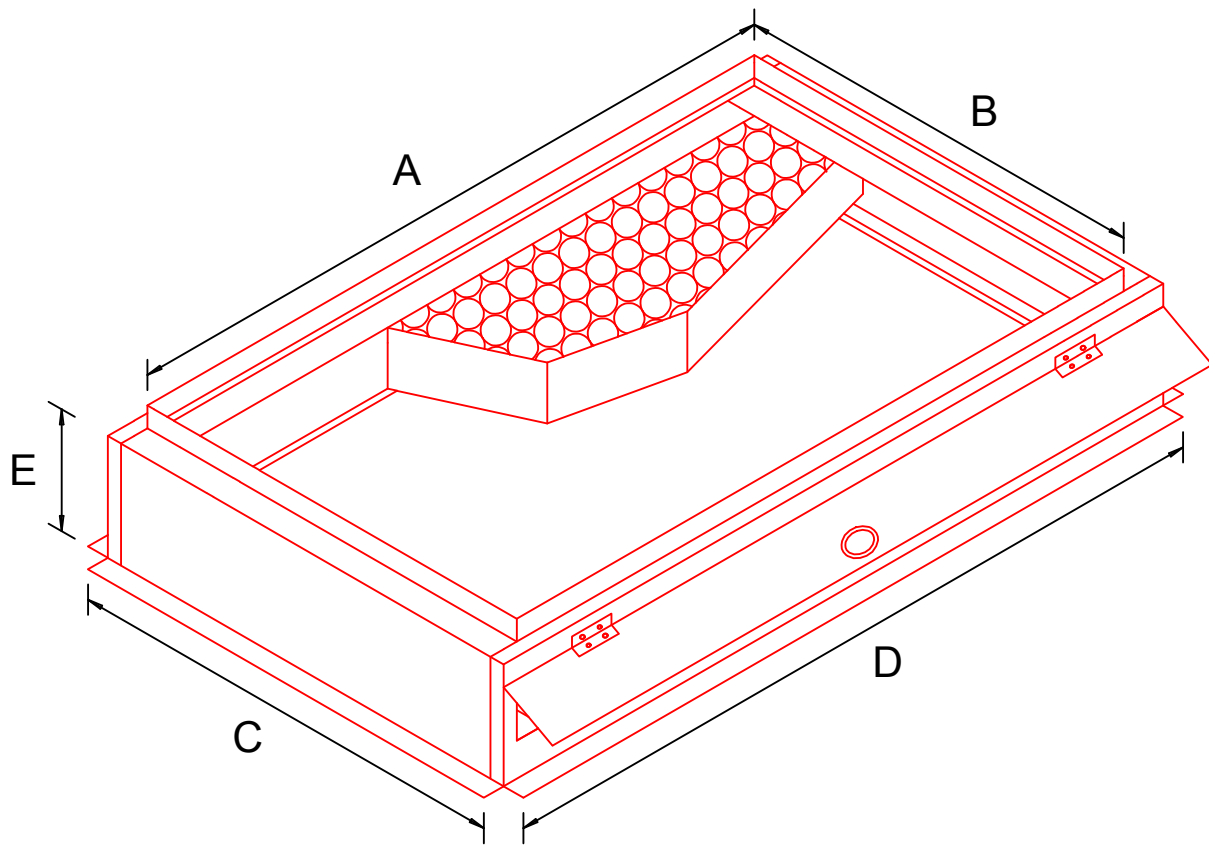


REQUIRES 16 X 25 X 2" FILTER

	A	B	C	D	E
GPGHFR101-103	24	16	17.25	26.5	4



REQUIRES 16 X 25 X 2" FILTER

	A	B	C	D	E
GPGHFR101-103	24	16	17.25	26.5	4