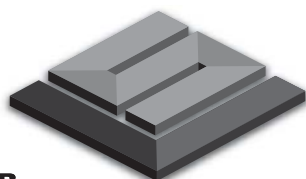


# LAWN STRYPER

Lawn Striping System™

Visit [www.patternyourlawn.com](http://www.patternyourlawn.com)



**S&B**  
**LAWN SYSTEMS™**  
INC.

S&B Lawn Systems, Inc.  
W226N825 Eastmound Drive, Suite B  
Waukesha, WI 53186-1690 USA

Copyright © 2008 S&B Lawn Systems, Inc.  
Printed in the USA



MADE, ASSEMBLED AND PACKAGED IN AMERICA

# Owner's Manual

## LAWN STRYPER

Lawn Striping System™



MADE, ASSEMBLED AND PACKAGED IN AMERICA



Model No.

LM-408111B

LM-408111R

LM-408111G

Patent Pending



Read, Understand and Follow ALL Instructions prior to use.  
Lea, entienda y siga todas las instrucciones antes de usar.

S&B Lawn Systems, Inc. / W226N825 Eastmound Drive, Suite B  
Waukesha, WI 53186-1690 USA / Visit [www.patternyourlawn.com](http://www.patternyourlawn.com)

## Congratulations...

On your purchase of the *Lawn Stryper™*, a S&B Lawn Systems, Inc. product. The *Lawn Stryper™* attachment is designed to easily and safely attach to most walk-behind, self-propelled and push-type lawn mowers. When used properly, the *Lawn Stryper™* attachment will allow you to pattern your lawn just like the pros do at golf courses, landscape firms and major league ballparks.

Prior to creating an eye-popping, people stopping lawn of art with the *Lawn Stryper™* attachment, make certain to read and understand all of the instructions in this Owner's Manual. You are responsible for proper product use and safety.

For great *Lawn Stryper™* patterns, grass tips, product registration, contact information and more visit [www.patternyourlawn.com](http://www.patternyourlawn.com).

S&B Lawn Systems, Inc. thanks you for your purchase and we wish you and your patterned lawn much happiness for years to come.



Before



After

## Chance to WIN \$1,000.00 Gift Card!!!

Get a chance to WIN a \$1,000.00 gift card to your favorite Home and Garden store by sending us your 'before and after' lawn pictures while using the *Lawn Stryper™* attachment. Visit [www.patternyourlawn.com](http://www.patternyourlawn.com) for details. Certain rules and regulations apply, see contest rules on website for details.

## Safety:

- Read, and understand all of the instructions in this manual prior to using the *Lawn Stryper™* attachment. Follow those instructions whenever using the *Lawn Stryper™* attachment.
- *Lawn Stryper™* attaches to and follows behind your lawn mower during normal grass-cutting operations, and should not affect the operating characteristics of your mower. Carefully follow all of your lawn mower manufacturer's operating instructions and warnings when using the *Lawn Stryper™* attachment.
- *Lawn Stryper™* attachment should not interfere with normal mower operations, such as cutting / mulching / bagging. If there is any interference **IMMEDIATELY SHUT OFF MOWER**, then inspect the *Lawn Stryper™* attachment installation, make any adjustments needed to correct the problem, and reassess operations to verify that the interference has been resolved.
- The *Lawn Stryper™* attachment is designed to work with most walk-behind, self-propelled and push-type lawn mowers. **DO NOT USE WITH ANY OTHER TYPE OF MOWER.**
- The *Lawn Stryper™* attachment must be properly installed, attached, and adjusted in order to work along with your particular lawn mower.
- Do not assemble, disassemble, attach, inspect, or adjust the *Lawn Stryper™* attachment while the mower is running. **SHUT OFF THE MOWER** before performing any of these actions.
- Never stand on the *Lawn Stryper™* attachment, roller assembly, cover, or clamps.
- Keep hands and feet clear of the *Lawn Stryper™* attachment during mowing operations.
- Install the *Lawn Stryper™* attachment on your mower so that it does not interfere with your ability to walk behind the mower.
- If the *Lawn Stryper™* attachment should interfere with your ability to mow around obstructions, walkways, or other tightly constrained areas, **SHUT OFF THE MOWER**, remove the roller assembly, and then mow around the obstructed area without the roller assembly attached (but with clamp and tube assembly still in place). Once this is completed, once again **SHUT OFF THE MOWER**, replace the roller assembly, and then continue with the rest of your patterned mowing.

## Assembly:

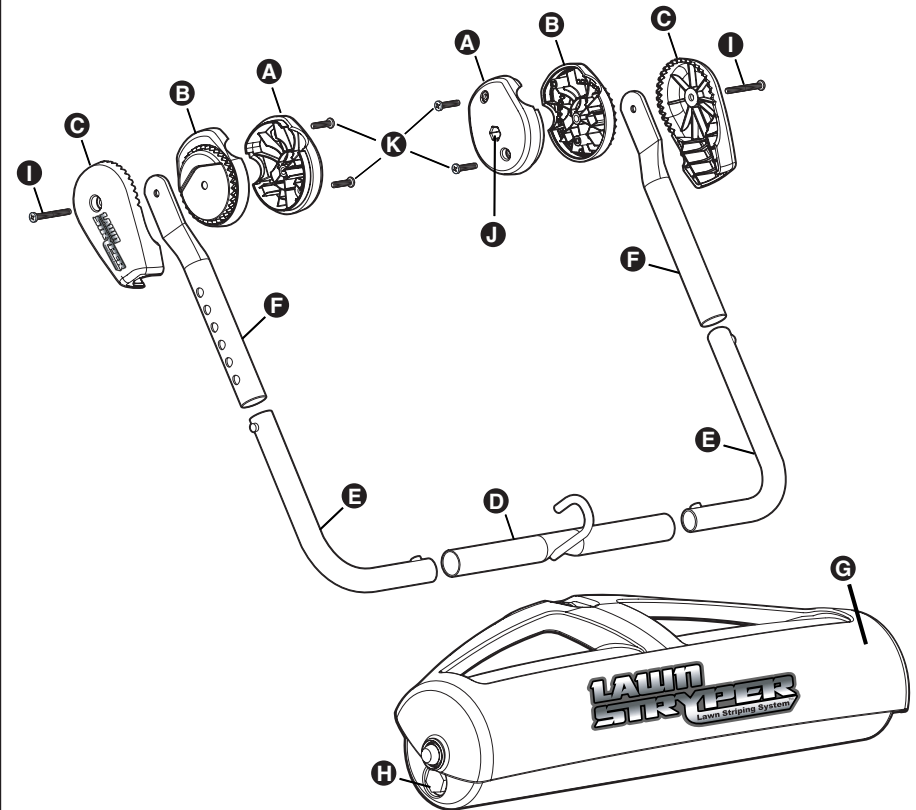
- TOOL Required: Phillips Screw Driver.
- Roller fills with approx. 16 to 20 lbs. of DRY sand. (sand not included)

IMPORTANT: Work on a flat level surface - make certain mower is NOT running.

## Parts:

- |        |  |                                 |
|--------|--|---------------------------------|
| A. (2) | BSI-LNS-011  | Lawn Stryper™ Inner Clamp(s)    |
| B. (2) | BSI-LNS-012  | Lawn Stryper™ Outer Clamp(s)    |
| C. (2) | BSI-LNS-015  | Lawn Stryper™ Angle Adjuster(s) |
| D. (1) | BSI-LNS-003  | Lawn Stryper™ Hitch Tube        |
| E. (2) | BSI-LNS-017  | Lawn Stryper™ Corner Tube(s)    |
| F. (2) | BSI-LNS-013  | Lawn Stryper™ Vertical Tube(s)  |
| G. (1) | BSI-LNS-022  | Lawn Stryper™ Roller Assembly   |
| H. (1) | BSI-LNS-021  | Lawn Stryper™ Roller Plug       |
| I. (2) | 2" Inch Phillips Pan Head Screw(s)                           |                                 |
| J. (2) | Hex Nut(s) - ALREADY ASSEMBLED in Inner Handle Clamp(s), (A) |                                 |
| K. (4) | M5x20 Phillips Oval Head Screw(s)                            |                                 |

## Lawn Stryper™ Parts View



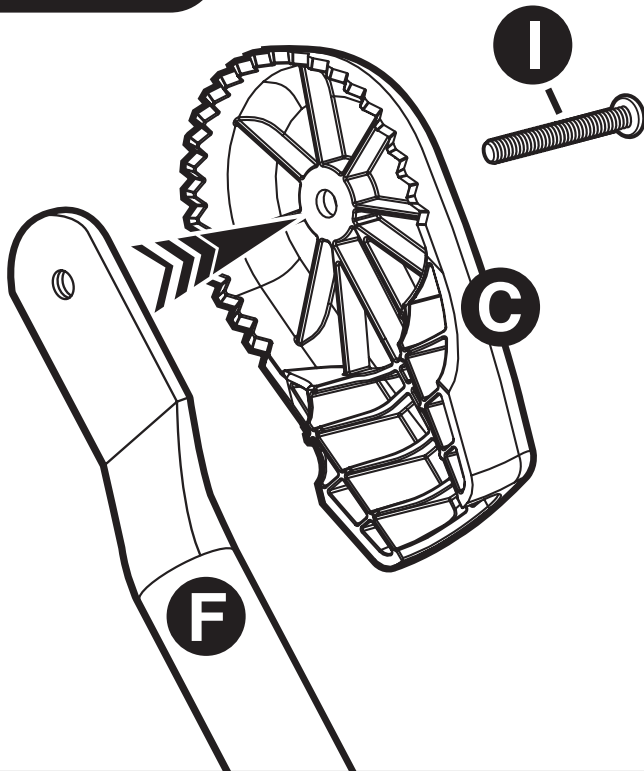
**CAUTION:** Do not assemble, disassemble, attach, inspect, or adjust the *Lawn Stryper™* attachment while the mower is running. SHUT OFF THE MOWER before performing any of these actions.



**DO NOT** place clamp system over any type of existing wires/ cables that may be present on lawn mower handlebars.



## Step 3



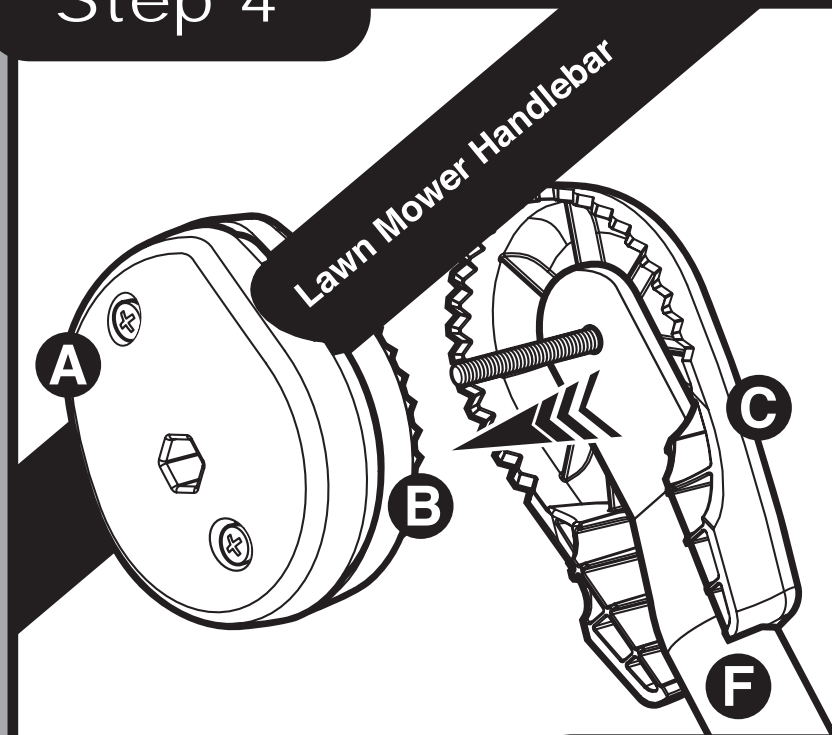
### **Step 3: Insert Vertical Tubes into Angle Adjusters.**

Set Vertical Tube (F) into Angle Adjuster (C). Make certain that top portion of Vertical Tube (F) rests FLAT on inner portion of Angle Adjuster (C) as outlined in above diagram. Screw holes should match up.

Insert 2" Pan Head Screw (I) as outlined in above diagram.

Repeat process for other Vertical Tube.

## Step 4

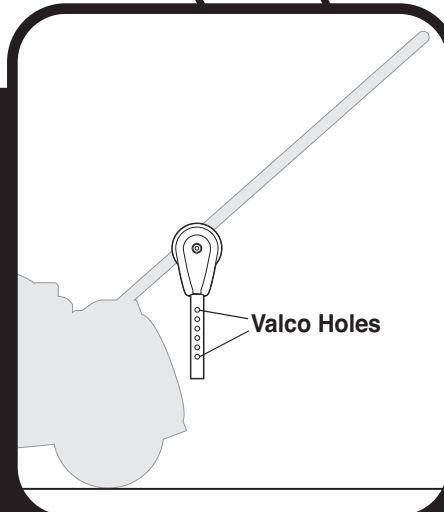


### **Step 4: Attach Angle Adjuster Assembly to Handlebar Clamp Assembly.**

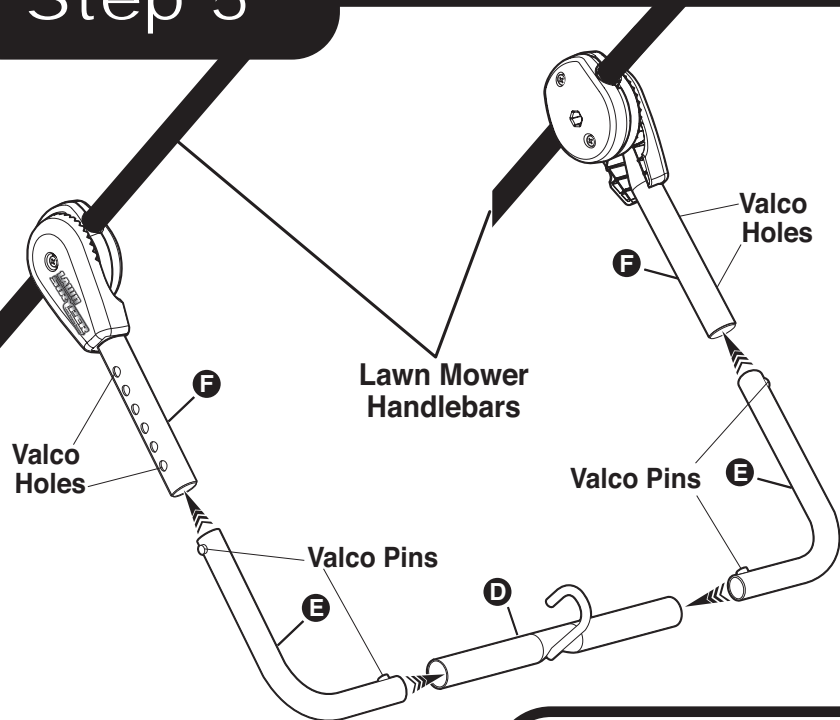
Align, attach and PARTIALLY tighten Angle Adjuster assembly to Handlebar Clamp assembly as outlined in above diagram.

Repeat process on other handlebar.

**User Tip!** Do not fully tighten at this point. Angle adjustments will be made in later steps. Double check that Valco Holes, on Vertical Tubes (F), are facing outward and that the *Lawn Stryper™* logo, on Angle Adjuster assembly, is facing outward.



## Step 5



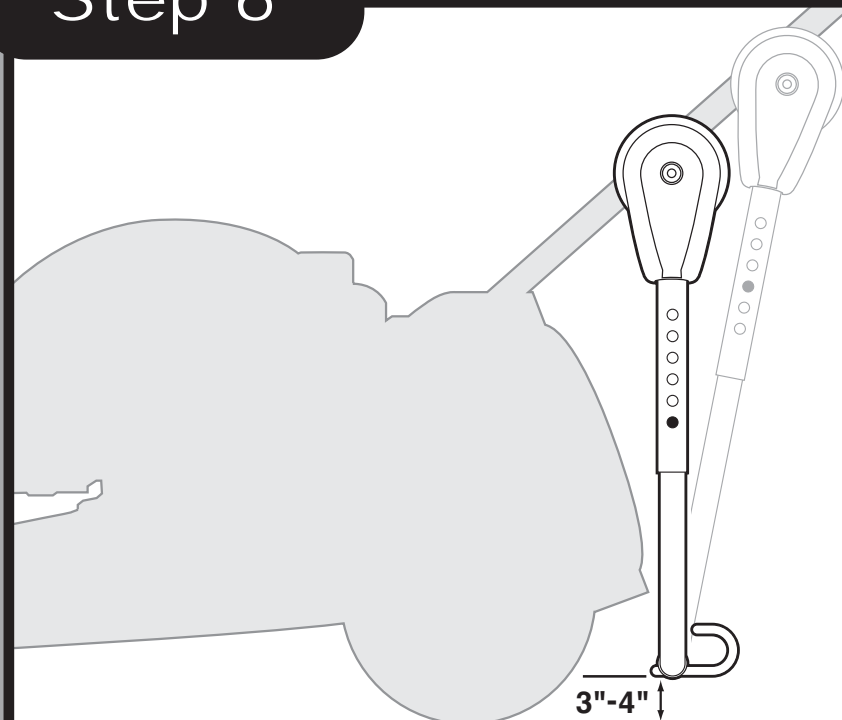
### Step 5: Attach Hitch Tube and Corner Tubes to Vertical Mount System.

Attach Hitch Tube (D) to Corner Tubes (E) by pressing down on Valco Pins and locking into place as outlined in diagram above. Set width of U-bar assembly (D&E assembled) to coincide with the width of Vertical Bar assembly.

Attach U-bar (D&E assembled) to Vertical Tubes (F) by simply pressing down on Valco Pins and locking into place. Make certain Hitch is centered to lawn mower.

**User Tip!** When setting width of U-bar assembly, make certain that Valco Pins are consistent on each side. For example, if Valco Pin is coming through on hole 2 on left-hand side then Valco Pin should be set for hole 2 on right-hand side. Doing so will ensure hitch is centered with lawn mower.

## Step 6



### Step 6: Setting Angle and Height.

Swing assembly AS CLOSE to mower as possible without hitting mower or impeding the mower bagging system\*. Make certain left Clamp and right Clamp angles are the same. Once proper angle is achieved, FULLY TIGHTEN ALL SCREWS (6 total) with Phillips screwdriver.

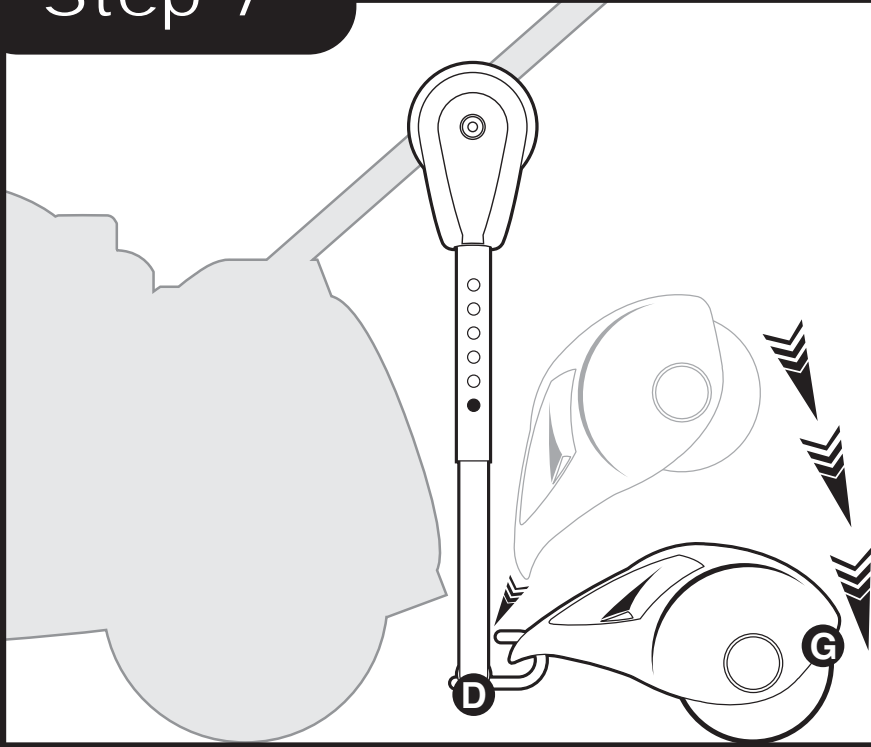
Set height of assembly, via Valco Pins, to NO LESS than 3 inches off the ground. Make certain that heights are the same on left-hand side and right-hand side.

Place protective vinyl caps (included) on threads of 2" Phillips Pan Head Head Screws (I). Vinyl cap placement is ONLY necessary when clamp system is attached to 7/8" handlebars. Vinyl cap placement protects screw threads from brushing up against bagging system\*.

\*Bagging system not supplied with all mowers.

**IMPORTANT:** Assembly must not be hitting the ground – a minimum of 3 inches of clearance is needed for proper performance. Set height adjustment to accommodate.

## Step 7



### Step 7: - Attach Roller Assembly to Hitch Tube.

Attach sand filled Roller Assembly (G) onto Hitch Tube (D) by vertically sliding onto hitch as outlined in above diagram.

User Tip! When you don't want the patterning effect, or perimeter cut is necessary, or when there are obstructions such as fence line, retaining wall, or other objects, remove Roller Assembly (with mower turned off) while keeping tubing and clamp system intact (see helpful tips on page 16).



**CAUTION:** Do not assemble, disassemble, attach, inspect, or adjust the *Lawn Stryper™* attachment while the mower is running. **SHUT OFF THE MOWER** before performing any of these actions.

## Finished Lawn Stryper™



### **Double Check:**

- Make certain stride does not impede with the roller assembly.
- Make certain *Lawn Stryper™* attachment is adjusted to the correct height, width and angle.
- Make certain all clamps, tubes and screws are secure.

Additional width, height and angle adjustments may need to be made based upon personal preference. Use previous guidelines for reference if adjustments need to be made.



**CAUTION:** Do not assemble, disassemble, attach, inspect, or adjust the *Lawn Stryper™* attachment while the mower is running. **SHUT OFF THE MOWER** before performing any of these actions.

## Lawn Stryper™ Warranty:

S&B Lawn Systems, Inc. shall repair any *Lawn Stryper™* attachment, when used for residential use\*, if defective in materials or if it ceases to function due to a failure of its components. S&B Lawn Systems, Inc. will repair or replace, at its sole discretion, a defective *Lawn Stryper™* unit. Owner is responsible for shipping costs. The following time periods, for warranty, apply from date of purchase:

**Money-Back Guarantee:** 30 Days

**Parts and Accessories:** 45 Days

Please visit [www.patternyourlawn.com](http://www.patternyourlawn.com) for obtaining warranty service or by mail to:

**S&B Lawn Systems, Inc.**  
**W226N825 Eastmound Drive, Suite B**  
**Waukesha, WI 53186-1690**

Must include original date of purchase information, copy of invoice/receipt and return mailing address.

\*Residential Use equates to the use of product solely at owner's personal residence. Use of product on more than one location, or to generate income, is considered commercial use. This product is not intended for commercial use.

### Owner Responsibilities:

You must maintain your *Lawn Stryper™* attachment by following the guidelines contained in Owner's Manual. You are responsible for proper product use. *Lawn Stryper™* attachment is designed to work with most walk-behind, self-propelled and push-type lawn mowers. **DO NOT USE WITH ANY OTHER TYPE OF MOWER.** *Lawn Stryper™* assembly attaches to and follows behind your lawn mower during normal grass-cutting operations, and should not affect the operating characteristics of your mower. **Carefully follow all of your lawn mower manufacturer's operating instructions and warnings when using the *Lawn Stryper™* attachment.**

For a replacement *Lawn Stryper™* Owner's Manual, contact S&B Lawn Systems, Inc by visiting [www.patternyourlawn.com](http://www.patternyourlawn.com) or mail to:

**S&B Lawn Systems, Inc.**  
**W226N825 Eastmound Drive, Suite B**  
**Waukesha, WI 53186-1690**

### General Conditions:

*Lawn Stryper™*, a S&B Lawn Systems, Inc. product is not liable for indirect, incidental or consequential damages in connection with lawn mowers in which the *Lawn Stryper™* attachment is attached to, including cost or expenses of providing substitute equipment or service to the mowers in which it is attached to. Some states do not allow exclusions of incidental or consequential damages, so above exclusions and limitations may not apply.

## General Tips:

Visual results may vary based upon health of grass, length of grass, available sunlight and seasonal conditions. A less dramatic patterning effect can be a result of insufficient sunlight, dormant grass, unhealthy grass, or when used on warm-season grass such as Bermuda and St. Augustine.

### Cutting Perimeter:

Cut perimeter of grass plot once or twice. Doing so will allow for a consistent turning area and a clean patterning path.

### Change Mowing/Pattern Design:

Alternate mowing patterns and designs every few weeks.

### 'Line of Sight' – Admiring Your Patterns:

A dark 'stripe' is created when patterning towards the viewer and a light 'stripe' is created by patterning away from the viewer. In order to view all of the benefits, 'line of sight' patterning is recommended. For example, if you were sitting on your front porch, looking out towards your lawn, consider patterning lines that come straight to and away from your porch as seen in picture below. If you were to view these same patterns from the side, visual results may be less dramatic.



[www.patternyourlawn.com](http://www.patternyourlawn.com)



## General Tips Continued:

### **Patterning Effect:**

The *Lawn Stryper™* attachment is specifically designed to properly 'bend' grass after it has been cut. This proper 'bend' results in light reflecting differently off each side of grass thus producing the patterning effect. Results may vary based upon health of grass, length of grass, type of grass, dormant/drought stricken grass, available sunlight and/or seasonal conditions.

### **Obstructions:**

If obstructions such as fences, retaining walls, driveways, walkways, curbs, ditches, embankments or other objects are present, remove (WITH MOWER TURNED OFF) *Lawn Stryper™* Roller Assembly from hitch system. Once cut around obstruction is complete, attach (WITH MOWER TURNED OFF) the Roller Assembly to hitch system to return to patterning.



**CAUTION:** Do not assemble, disassemble, attach, inspect, or adjust the *Lawn Stryper™* attachment while the mower is running. **SHUT OFF THE MOWER** before performing any of these actions.

[www.patternyourlawn.com](http://www.patternyourlawn.com)

## Troubleshooting:

### **Roller Does Not Turn:**

- With mower turned OFF, check to see if any type of debris such as bark, twigs, stones, or other objects have obstructed the roller's ability to turn. If so, with mower turned OFF, remove debris from the roller.
- Make certain that roller plug, on roller tube, is fully tightened. Check to see that roller plug is flush with end cap. A loose plug will impede roller's ability to turn properly.
- Make certain that the roller is filled with approximately 16 to 20 pounds of DRY sand. An empty or partially filled roller may not function properly.

### **Patterning Effect Does Not Show:**

- Make certain to view with 'line of sight' in mind.
- *Lawn Stryper™* attachment installed incorrectly – refer to Owner's Manual.
- Grass may be cut too short.
- For dormant or drought stricken grass. S&B Lawn Systems Inc., recommends that the *Lawn Stryper™* attachment not be used when grass is dormant or is under stress due to drought.
- Grass may be damaged, unhealthy or too sparse.
- Lack of proper sunlight – partial/full sun is optimal.

### **U-Bar Assembly is Hitting the Ground:**

- With mower turned off, set u-bar assembly to proper height as outlined in Owner's Manual.
- With mower turned off, make certain that height is the same on both sides as outlined in Owner's Manual.

Visit [patternyourlawn.com](http://patternyourlawn.com) for additional tips, frequently asked questions, product registration, contact information and more.



**CAUTION:** Do not assemble, disassemble, attach, inspect, or adjust the *Lawn Stryper™* attachment while the mower is running. **SHUT OFF THE MOWER** before performing any of these actions.

[www.patternyourlawn.com](http://www.patternyourlawn.com)

## Lawn Care Tips:

It is important to have a healthy lawn in order to experience all of the benefits of the *Lawn Stryper™* attachment. Please find below a few general lawn care tips that will help to ensure a strong and beautiful lawn.

### **Keep Lawn Mower Blade Sharp:**

A common error is to neglect the lawn mower's blade. A well maintained and sharp blade enables the grass to be cut cleanly. A dull blade can result in a 'scalping' of the grass which can lead to lawn becoming weak, stressed and even prone to disease. It is recommended that you have your blade sharpened, by an authorized lawn mower technician, a minimum of once per season.

### **Use the "1/3 Rule":**

Another common error is cutting grass too short. It is extremely important to mow regularly as well as to refrain from cutting more than 1/3 off at a time, no matter how tall the grass may be. Cutting grass too short may cause undue stress and may harm the lawn's ability to support root growth. To determine your optimal grass length, you must first find out what type of grass you have. Common grasses include Kentucky Bluegrass, Perennial Ryegrass, Bent, Fescue and Bermuda Grass. If you do not know what type of grass you have, simply take a sample over to your local agricultural center for identification. Listed below are a few recommended heights for some common grasses.

<b>Kentucky Bluegrass:</b>	<b>2 to 3 inches</b>
<b>Perennial Ryegrass:</b>	<b>2 to 3 inches</b>
<b>Fescue:</b>	<b>2.5 to 3.5 inches</b>
<b>Bermuda:</b>	<b>1/2 to 1 inch</b>

[www.patternyourlawn.com](http://www.patternyourlawn.com)

## Lawn Care Tips Continued:

### **Watering Your Lawn:**

When your lawn begins to look stressed or when you step on and it does not bounce back, it may be time for a thorough watering. Approximately 1 to 2 inches of water, equally distributed, should do the job. Watering should occur during the early morning hours. As always, know and abide by your local watering regulations and restrictions.

### **Proper Fertilization Program:**

In order to create and maintain a beautiful lawn, it may be important to implement a proper fertilization program. Begin by obtaining a soil test kit which can be found at your local lawn and garden center. Once proper samples are taken and analyzed, you'll have a better idea about the nitrogen, phosphorus and potassium levels of your soil. With this information, you'll have a better idea as to what combination(s) of fertilizer you should apply. If unsure as to what direction to take, consult with your local agricultural center or a lawn and garden professional.



[www.patternyourlawn.com](http://www.patternyourlawn.com)