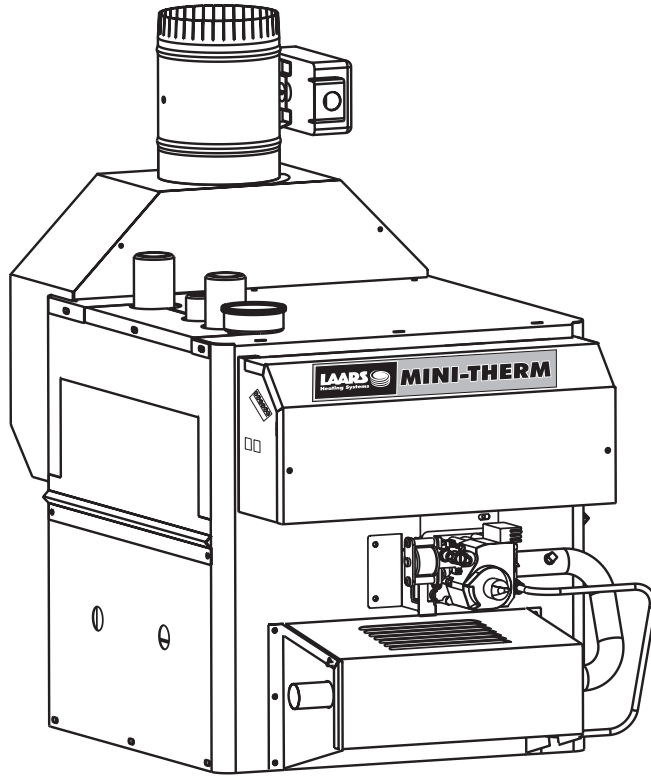


MINI-THERM® JVS



Hydronic Boilers

JVS Residential Gas-Fired Boiler

Indoor Sizes 50-225 MBTU/h

Submittal Data **LAARS**
Heating Systems Company

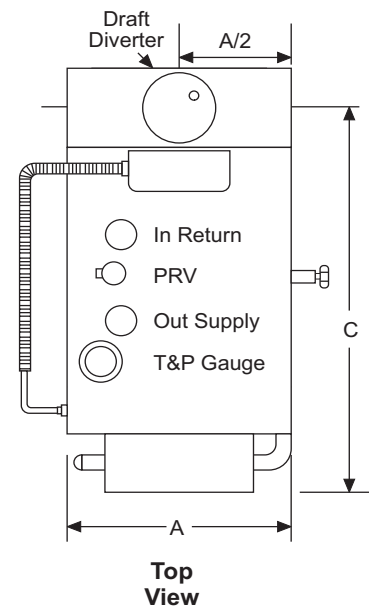
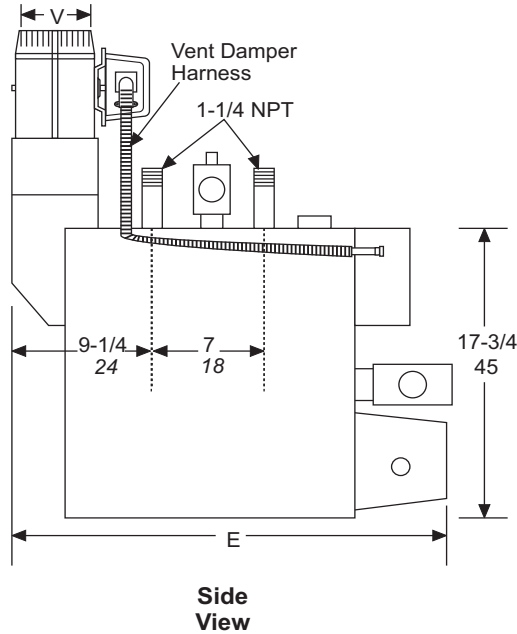
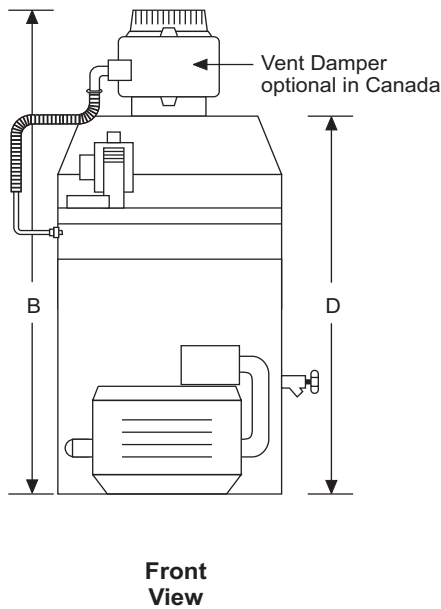
Standard Equipment

- PI Controller
- Outdoor reset with ratios of 0.4 to 3.6
- Warm Weather Shutdown (WWSD)
- Domestic Hot Water Operation (DHW)
- Indicator lights for power, heat call, DHW call and WWSD
- Automatic boiler differential
- Pump pre-purge, post-purge and exercise
- Codes for sensor errors
- Venting: built-in draft diverter
- Design certified/tested by CSA International
- Natural or propane gas
- Maximum working pressure: water 30 P.S.I., ASME rated
- Hydrostatic test pressure at factory: 60 P.S.I.
- 30 psi ASME pressure relief valve
- Maximum gas supply pressure: Natural 10.5" W.C.; Propane 13" W.C.
- Pressure relief valve: capacity in excess of boiler input rating
- Material specifications per Section IV, ASME Code
- Headers: cast iron per ASME requirements
- Tubes: copper with integral formed external fins
- Main burners: aluminized steel
- Air supply: natural aspiration
- Altitudes: 0–10,000 ft.
- Spark to pilot ignition
- Electrical: 115V-60Hz-1PH less than 12 Amps 24V transformer mounted and wired
- Pump relay: standard
- Vent damper and wire harness
- Blocked vent safety switch (B.V.S.S.)
- Flame rollout safety switch
- Up to 85% AFUE
- 20-Year Limited Warranty

Minimum Clearances from Adjacent Construction

Size	Minimum Clearances, inches <i>cm</i>							
	Left + Right Sides, Rear		Front		Flue		Top	
50	6	15	4	10	6	15	23	58
75	6	15	4	10	6	15	23	58
100	6	15	4	10	6	15	23	58
125	6	15	4	10	6	15	23	58
160	6	15	4	10	6	15	36	91
225	6	15	4	10	6	15	36	91

Dimensional Data



Dimensions shown in inches *cm*.

Size	Dimensions inches <i>cm</i>						Approx Weight	
	A	B	C	D	E	V	lbs.	kg
50	13-3/8 34	27-3/4 71	23-5/8 60	21-3/4 55	26-1/2 67	4 10	120	54
75	13-3/8 34	27-3/4 71	24-1/8 61	21-3/4 55	27-1/2 70	5 13	126	57
100	16-7/8 43	28-3/4 73	24-1/8 61	22-3/4 58	27-1/2 70	5 13	134	61
125	16-7/8 43	28-3/4 73	23-5/8 60	22-3/4 58	27-1/2 70	6 15	138	63
160	20-3/8 52	28-3/4 73	23-5/8 60	22-3/4 58	27-1/2 70	6 15	164	74
225	25-5/8 65	31-1/2 80	23-1/4 59	24-3/4 63	27-1/2 70	7 18	181	82

Size	Input		Heating Capacity		Net IBR		AFUE %	Water Conn. in.	Gas Conn. in.
	MBTU/h	kW	MBTU/h	kW	MBTU/h	kW			
50	50	14.6	43	12.3	36.5	10.7	85.0	1-1/4	1/2
75	75	21.9	64	18.5	54.8	16.1	85.0	1-1/4	1/2
100	100	29.1	85	24.6	73	21.4	85.0	1-1/4	1/2
125	125	36.6	106	30.8	91.3	26.8	85.0	1-1/4	1/2
160	160	46.8	136	39.3	116.9	34.3	85.0	1-1/4	1/2
225	225	65.9	191	55.4	164.3	48.1	85.0	1-1/4	3/4*

*1/2" for propane



Laars Heating Systems Company reserves the right to change specifications, components, features, or to discontinue products without notice.