

Rinnai®

Hot Water System Design Manual

Plumbing schematics for single and multiple Rinnai tankless water heaters in use with domestic systems, recirculation, and storage tanks.

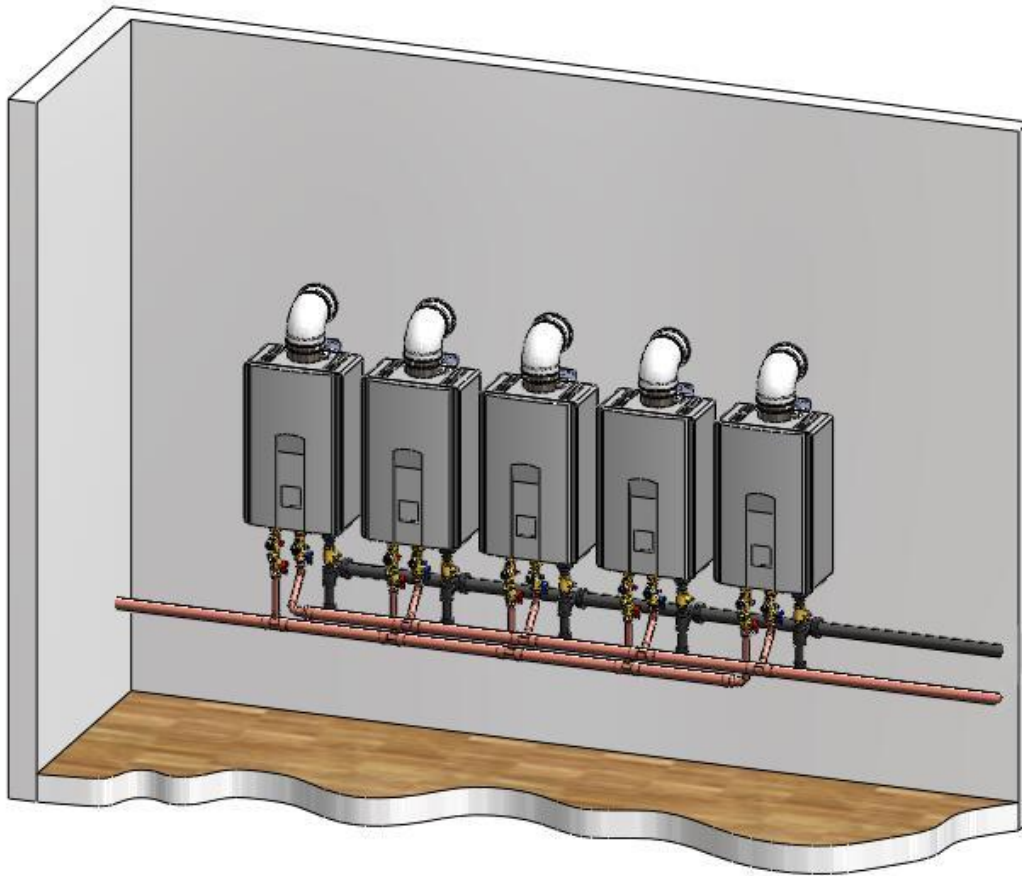


Table of Contents

Certifications	3, 4
Rinnai Accessories	4
MSB Kits for Connecting Multiple Water Heaters	5
Model Applicability	6
Water Quality and Scale	7
Pump Sizing for Circulation	8
Tank Water Heaters in a Circulation Loop	9
Additional Guidelines	9
Vent Termination Clearances	10
Additional Clearances	12
Pump Sizing for Storage Tank Applications	14
Pressure Loss Curves - Non Condensing Models	15
Pressure Loss Curves - Condensing Models	16

Condensing Water Heaters

<u>Drawing</u>	<u>No.</u>	<u>Description</u>	
CWH1	1	Basic Piping.....	17
CWH2	2	Basic Piping.....	18
CWH3	3	Basic Piping.....	19
CWH6	6	Basic Piping.....	20
CWH1-C	1	Circulation System	21
CWH2-C	2	Circulation System	22
CWH3-C	3	Circulation System	23
CWH6-C	6	Circulation System	24
CWH1-BC	1	Backup Storage.....	25
CWH2-BC	2	Backup Storage.....	26
CWH3-BC	3	Backup Storage.....	27
CWH6-BC	6	Backup Storage.....	28

Non-condensing Water Heaters

<u>Drawing</u>	<u>No.</u>	<u>Description</u>	
WH1	1	Basic Piping.....	29
WH2	2	Basic Piping.....	30
WH3	3	Basic Piping.....	31
WH6	6	Basic Piping.....	32
WH1-D	1	Freeze Protection.....	33
WH2-D	2	Freeze Protection	34
WH3-D	3	Freeze Protection	35
WH6-D	6	Freeze Protection	36
WH1-RGE	1	Optional Recirculation	37
WH1-R	1	Optional Recirculation	38
WH1-CD-O	1	Preferred Demand Circulation.....	39
WH1-CD	1	Preferred Demand Circulation.....	40
WH2-CP	2	Circulation System	41
WH3-CP	3	Circulation System	42
WH6-CP	6	Circulation System	43
WH1-BC	1	Backup Storage.....	44
WH2-BC	2	Backup Storage.....	45
WH3-BC	3	Backup Storage.....	46
WH6-BC	6	Backup Storage.....	47
WH1-AHU	1	Hydronic Furnace.....	48
WH1-AHU-RES	1	Hydronic Furnace and Heat Exchanger.....	49
WH1-A1-CD	1	Demand Circulation with 1 Rinnai Hydronic Furnace.....	50
WH2-A1-CD	1	Combination System with 2 Rinnai Hydronic Furnaces	51
WH1-AH	1	Generic Air Handler.....	52
WH1-S-1	1	Solar Backup	53

Maintenance Procedure

WH1-F	1	Flush Procedure	54
-------	---	-----------------------	----

Legend	55
---------------------	----

Certifications

Indoor Water Heaters

Trade Name	CSA Listing
V53i, RV53i.....	REU-VB2020FFU-US-(N, P) *
R50LSi.....	REU-VA2019FFUD-US-(N, P) * *
R75LSi, RL75i	REU-VB2528FFUD-US-(N, P) * *
R75LSi.....	REU-VA2528FFUD(A)-UC-(N, P) * *
R75LSi.....	REU-VA2528FFUD(A)-US-(N, P) *
R75LSi.....	REU-VA2528FFUD-US-(N, P) *
R94LSi, RL94i	REU-VB2735FFUD-US-(N, P) * *
R94LSi.....	REU-VA2535FFUD-UC-(N, P) * *
R94LSi.....	REU-VA2535FFUD-US-(N, P) *
R98LSi.....	REU-VA3237FFU-US-(N, P) *
R98LSiASME.....	REU-VA3237FFU-ASME-(N, P) *
R53i	REU-V2520FFU-US-(N, P)
C53i	REU-V2520FFUC-US-(N, P) *
R53i	REU-V2520FFUD-US-(N, P)
C53i	REU-V2520FFUCD-US-(N, P) *
R85i	REU-V2532FFU-US-(N, P)
C85i	REU-V2532FFUC-US-(N, P) *
R85iPLUS.....	REU-V2532FFUD-US-(N, P)
C85iPLUS.....	REU-V2532FFUCD-US-(N, P) *
R98i	REU-V3237FFU-US-(N, P)
C98i	REU-V3237FFUC-US-(N, P) *
R98iASME.....	REU-V3237FFU-ASME-(N, P)
C98iASME.....	REU-V3237FFUC-ASME-(N, P) *
RC80HPi, RC80i ..	REU-KA2530FFUD-US-(N, P) * *
RC98HPi, RC98i ..	REU-KA3237FFUD-US-(N, P) * *

* authorized for commercial use
 * Energy Star Qualified

Outdoor Water Heaters

Trade Name	CSA Listing
V53e, RV53e.....	REU-VAM1620W-US-(N, P) *
R63LSe	REU-VA2024WD-US-(N, P) *
R63LSe2	REU-VA2024WD(A)-UC-(N, P) * *
R75LSe, RL75e	REU-VB2528WD-US-(N, P) * *
R75LSe.....	REU-VA2528WD(A)-UC-(N, P) * *
R75LSe.....	REU-VA2528WD(A)-US-(N, P) *
R75LSe.....	REU-VA2528WD-US-(N, P) *
R94LSe, RL94e	REU-VB2735WD-US-(N, P) * *
R94LSe	REU-VA2535WD-UC-(N, P) * *
R94LSe	REU-VA2535WD-US-(N, P) *
R98LSe	REU-VA3237W-US-(N, P) *
R98LSeASME.....	REU-VA3237W-ASME-(N, P) *
R42e	REU-V1616W-US-(N, P)
C42e	REU-V1616WC-US-(N, P) *
R53e	REU-V2020W-US-(N, P)
C53e	REU-V2020WC-US-(N, P) *
R70e	REU-V2526W-US-(N, P)
R85e	REU-V2532W-US-(N, P)
C85e	REU-V2532WC-US-(N, P) *
R85ePLUS.....	REU-V2532WD-US-(N, P)
C85ePLUS.....	REU-V2532WCD-US-(N, P) *
R98e	REU-V3237W-US-(N, P)
C98e	REU-V3237WC-US-(N, P) *
R98eASME	REU-V3237W-ASME-(N, P)
C98eASME	REU-V3237WC-ASME-(N, P) *
RC80HPe, RC80e...	REU-KA2530WD-US-(N, P) * *
RC98HPe, RC98e...	REU-KA3237WD-US-(N, P) * *

The models listed above have received the following certifications except where noted:



Certified to applicable U.S. standards for appliances using gas or other petroleum fuel.



Certified to applicable Canadian standards for appliances using gas or other petroleum fuel.



Certified by the Uniform Plumbing Code (UPC)



Certified by National Sanitation Foundation (NSF), www.nsf.org

(indoor models must use the NSF approved top guard)

REU-VAM1620W is not NSF approved



Energy efficiency certified by Gas Appliance Manufacturers Association (GAMA), www.ahrinet.org

Meets the California Energy Commission (CEC) standards

Meets California and Texas NOX emission rules

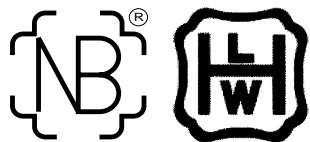
Approved by the Commonwealth of Massachusetts

Approved for installations in New York City



Energy Star Qualified (models indicated with *)

Certifications



R98LSiASME
R98LSeASME

R98iASME
C98iASME

R98eASME
C98eASME

These models are built in accordance with the requirements of the ASME Boiler and Pressure Vessel Code and received the Certificate of Authorization from the National Board. The heat exchanger has the NB and the HLW stamps.

Rinnai Accessories

Multiple Unit Connections (refer to model applicability)

MSB Controller: The MSB kits can electronically connect up to 25 water heaters and allows them to function as one hot water source. For use with Rinnai Tankless Water Heaters (except for models V53e, V53i, and R63LSe which must use pressure activation valves, PVA). Refer to the information in the next section for components.

EZConnect™ : The EZConnect™ cable is an optional accessory that electronically connects 2 water heaters and allows them to function as one hot water source.

PVA Valves: Pressure activated valves that allow each water heater (max 5) to turn on as necessary to meet the demand for hot water. A PVA valve is also useful when dedicating one Rinnai in a multiple Rinnai system for hot water circulation. The PVA valve will allow flow from the cold water supply to the dedicated unit when a differential pressure is exerted on the PVA valve due to domestic demand.

- Guidelines for multiple unit connections:
- Do not install both the EZConnect™ and the MSA/MSB packs because they are not designed to operate together.
 - Water heaters connected with the EZConnect™ Cable or the MSA/MSB packs cannot be used for the bathfill function.
 - Temperature settings can only be changed on the controller for the primary unit.
 - Do not use the EZConnect™ or MSA/MSB packs with storage tank applications.

Rinnai Installation Kits - Valve kits provide isolation valves (for hot and cold lines) and a pressure relief valve. Models RV53e, RV53i, RL75i/e, RL94i/e, RC80i/e, and RC98i/e include isolation valves and a pressure relief valve.

WRIK-LF-F	Valve kit (for models rated below 200,000 Btuh), Lead Free, 3/4" - E2 version, FNPT X FNPT, (threaded)
WRIK-LF-32F	Valve kit (for models rated above 200,000 Btuh), Lead Free, 3/4" - E2 version, FNPT X FNPT, (threaded)
104000059	Freeze Protection Solenoid Valve Kit

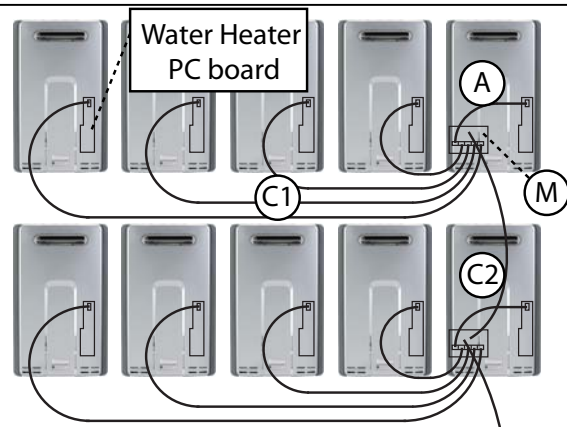
Remote Controllers: MC-91-1US - Controller included with the unit except for the V53e and V53i.
MCC-91-1US - For commercial and hydronic applications allowing temperatures above 140° F.
MC-100V-1US - Deluxe controller
BC-100V-1US - Bathroom controller

Recess Boxes: Recesses unit into the wall, protecting and hiding the unit from view

Pipe Covers: For security, weather protection, and finished look

Rinnai is continually updating and introducing new products and accessories. For the latest information, contact Rinnai at 1-800-621-9419, FAX: 1-888-474-6624, or www.rinnai.us.

MSB Kits for Connecting Multiple Water Heaters



Each bank is controlled by an MSB-M control board. These boards are connected to each other with MSB-C2 cables. One MSB-M is the controlling or master MSB-M for the entire system.

- (M) MSB-M control board
- (A) Connector cable A (part of MSB-M kit; replace with MSB-C3 cables for V Series)
- (C1) MSB-C1 cable for connecting water heaters within a banked system (up to 5), (use MSB-C3 cables for V Series)
- (C2) MSB-C2 cable for connecting MSB-M control boards (up to 5)

Number of Kits Required					
No. of water heaters	No. of water heaters for each bank	MSB-M	MSB-C1 See note *	MSB-C2	MSB-C3 See note *
2**	2	1	NA	NA	1
3	3	1	1	NA	2
4	4	1	2	NA	3
5	5	1	3	NA	4
6	3/3	2	2	1	4
7	4/3	2	3	1	5
8	4/4	2	4	1	6
9	5/4	2	5	1	7
10	5/5	2	6	1	8
11	4/4/3	3	5	2	8
12	4/4/4	3	6	2	9
13	5/4/4	3	7	2	10
14	5/5/4	3	8	2	11
15	5/5/5	3	9	2	12
16	4/4/4/4	4	8	3	12
17	5/4/4/4	4	9	3	13
18	5/5/4/4	4	10	3	14
19	5/5/5/4	4	11	3	15
20	5/5/5/5	4	12	3	16
21	5/4/4/4/4	5	11	4	16
22	5/5/4/4/4	5	12	4	17
23	5/5/5/4/4	5	13	4	18
24	5/5/5/5/4	5	14	4	19
25	5/5/5/5/5	5	15	4	20

MSB Kits - Parts Needed

Use the table to determine the type and number of kits necessary for your system.

Up to 5 water heaters can be connected together using the MSB-M and MSB-C1 kits. When over 5 water heaters are connected together, MSB-M control boards are connected using MSB-C2 kits.

If multiple MSB-M control boards are used, then at least three water heaters should be connected to each MSB-M. Example: With 7 water heaters, one MSB-M should control 4 water heaters and the other MSB-M should control 3 water heaters.

Detailed installation instructions are provided with each of the kits.

* VA, VB, and KA (Condensing) models use the MSB-M, MSB-C1, and MSB-C2 cables

V Series models use the MSB-M, MSB-C2, and MSB-C3 cables. V Series models must use the MSB-C3 cables instead of the MSB-C1 cables and the Cable A in the MSB-M.

** The Rinnai EZConnect™ is less expensive and is specifically designed for connecting 2 water heaters. Applicable models are VA, VB, KA, and V3237.

Model Applicability (Accessories)

Outdoor

Model	Recess Boxes	Pipe Covers	Electronic Connection	Remote Controllers
V53e, RV53e	RGB-20-U	PC-20-W (<i>white</i>)	EZConnect™ [5], MSA-2, MSB	[1]
R63LSe2		PCD01-SM2 (<i>silver</i>)		[2]
R75LSe, RL75e, R94LSe, RL94e	RGB-25-U or RGB-25U-MSAL (with moisture seal flange)	PCD03-SM2 (<i>silver</i>)		[2]
R98LSe, R98LSeASME	RGB-32	PC-32-W (<i>white</i>) PC-32-G (<i>gray</i>)		[2]
RC80HPe, RC80e, RC98HPe, RC98e	RGB-CTWH	PCD07		[2]

Indoor

Model	Venting Type	Integrated Condensate Collector	Electronic Connection	Remote Controllers
V53i, RV53i R50LSi R75LSi, RL75i, R94LSi, RL94i	Concentric 3" / 5" [4]	YES	EZConnect™ [5], MSA-2, MSB	[2]
R98LSi, R98LSiASME	4" for intake and 4" for exhaust [4]	NO [3]		[2]
RC80HPi, RC80i, RC98HPi, RC98i	Concentric 3" / 5" [4]	YES		[2]

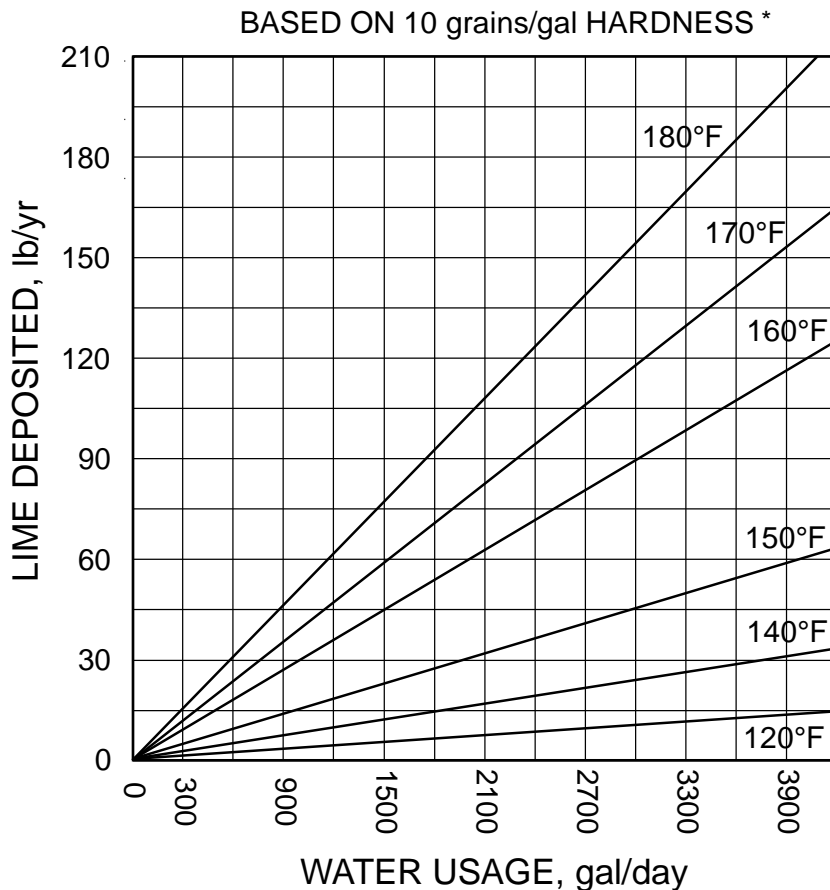
Notes

- [1] MC-91, MC-100, BC-100
- [2] MC-91, MC-100, BC-100, MCC-91
- [3] The Condensate Collector vent piece and the Condensate Trap (224050) for trapping and draining condensate may be required depending on your installation. Refer to the Operation and Installation Manual.
- [4] Refer to the Operation and Installation Manual
- [5] The EZConnect™ will connect a maximum of 2 water heaters.
- [6] Electronic connection is not available for this model. Connection can be made using pressure activating Rinnai PVA valves.

Water Quality and Scale

A complete water analysis and an understanding of system requirements are needed to protect the Rinnai tankless water heaters and water heating systems from scale. Water analysis shows whether water is hard or soft. Hard water, unless treated, will cause scaling or liming of the Rinnai heat exchanger.

The rate of scaling increases with temperature and usage because calcium carbonate and other scaling compounds lose solubility (fall out of solution) at higher temperatures. For example, for every 20°F over 140°F, the rate of scale increases by a factor of 2 (See figure below). Reference target water quality levels below and treat the water if these levels are exceeded.



* Source 2003 ASHRAE Handbook HVAC Applications

Consideration of care for your water heater should include evaluation of water quality.

Water that contains chemicals exceeding the levels shown in the table affect and damage the heat exchanger. Replacement of the heat exchanger due to water quality damage is not covered by the warranty.

If you live in an area that is known to have hard water or that causes scale build-up you must treat your water and/or flush the heat exchanger regularly.

When scale build-up in the heat exchanger begins to affect the performance of the water heater, a diagnostic code "LC" will display. Flush the heat exchanger to prevent damage to it. Scale build up is caused by hard water set at a high temperature.

	Maximum Level
Total Hardness	Up to 200 mg / L
Aluminum *	Up to 0.2 mg / L
Chlorides *	Up to 250 mg / L
Copper *	Up to 1.0 mg / L
Iron *	Up to 0.3 mg / L
Manganese *	Up to 0.05 mg / L
pH *	6.5 to 8.5
TDS (Total Dissolved Solids) *	Up to 500 mg / L
Zinc *	Up to 5 mg / L

* Source: Part 143 National Secondary Drinking Water Regulations

Pump Sizing for Circulation

1. Use the chart below or one appropriate for your conditions to determine the heat loss in the length of the hot water supply and return piping. For example, 100 ft of 1-1/2 in bare copper tubing results in a heat loss of 5300 Btu/h.

Approximate Heat Loss from Piping at 140 °F Inlet, 70 °F Ambient *

Nominal Size, in.	Bare Copper Tubing, Btu/h-ft	1/2 in. Glass Fiber Insulated Copper Tubing, Btu/h-ft
3/4	30	17.7
1	38	20.3
1-1/4	45	23.4
1-1/2	53	25.4
2	66	29.6
2-1/2	80	33.8
3	94	39.5
4	120	48.4

* Source: 2011 ASHRAE Handbook HVAC Applications

2. Determine the acceptable temperature drop at the last fixture in the loop. For example, if the supply temperature from the water heater is 120 °F (49 °C) and an acceptable temperature at the last fixture is 100 °F (38 °C) then the acceptable temperature drop is 20 °F (7 °C).

3. Calculate the required pump flow rate using the following formula:

$$\text{FLOW RATE (gpm)} = \frac{\text{HEAT LOSS (BTU / h)}}{500 \times \text{ACCEPTABLE TEMPERATURE DROP (°F)}}$$

4. Based on the above calculations select a pump for the type of circulation system you will be utilizing:

- A). Optional Method (reference drawing WH1-RGE) - Reference pump manufacturers flow vs. pressure specifications to select a pump that can provide the flow rate calculated above while overcoming the pressure loss through:
 - Tank water heater (reference manufacturer's information)
 - All building supply and return plumbing in the circulation loop (reference local plumbing codes, standards, or practices)
- B). Preferred Method (WH1-CD-O, WH1-CD) - Reference pump manufacturers flow vs. pressure specifications to select a pump that can provide 3 gpm of flow or the flow rate calculated above, whichever is greater, while overcoming the pressure loss through:
 - Rinnai tankless water heater (reference flow vs. pressure curve of the Rinnai model being used)
 - Optional storage tank (reference manufacturer's information)
 - All building supply and return plumbing in the circulation loop (reference local plumbing codes, standards, or practices)

NOTE: Only use pumps of brass, bronze, or stainless steel construction. Do not use pumps of iron construction as they will oxidize and clog the inlet filter on the appliance. The pump should be controlled by an aquastat, timer, or combination of the two. A demand control (motion sensor, push button, or door contact) may also be used.

Tank Water Heaters in a Circulation Loop

The following applies when using a tank water heater (gas or electric) to provide heat for a circulation loop. Drawing WH1-RGE is an example.

The heat **output** of the tank must be equal to or greater than the calculated circulation loop heat loss.

(Reference page 7, Step 1 on calculating heat loss).

Electric Tank Water Heater

Since the input and output are the same for an electric tank water heater, this can be expressed as:

$$\text{Electric Tank Input (Kw)} \geq \frac{\text{Circulation loop heat loss (Btuh)}}{3413}$$

(1 Kilowatt = 3,413 BTU)

Gas Tank Water Heater

When using a gas style water heater, the efficiency of the tank must be taken into account.

$$\text{Available Btuh output} = (\text{Btu input of tank}) \times (\text{efficiency}) \geq \text{Circulation loop heat loss (Btuh)}$$

Example:

30,000 Btuh input gas tank
0.62 EF

$30,000 \times .62 = 18,600$ available Btuh output

Additional Guidelines

Rinnai water heaters not recovering a storage tank: In applications involving a commercial dishwasher, a hot water circulation loop feeding the dishwasher is required.

Rinnai water heater recovering a storage tank: In applications involving a commercial dishwasher, a hot water circulation loop feeding the dishwasher may be required depending on the distance between the dishwasher and the storage tank. Refer to local codes when determining the need for circulation loops to dishwashers.

When using a Rinnai product as the heat source for a circulation loop, the piping systems should be designed with a hot water circulation loop having a minimum circulating flow rate of 3 gpm. You must also review pressure drop curves for the Rinnai when sizing circulators.

Rinnai water heaters cannot be used in applications requiring 180°-195° F water at a DISHWASHER, unless a booster heater capable of producing 180°-195° F water is provided at the dishwasher. The Rinnai water heater is not to be used as a booster water heater in these applications.

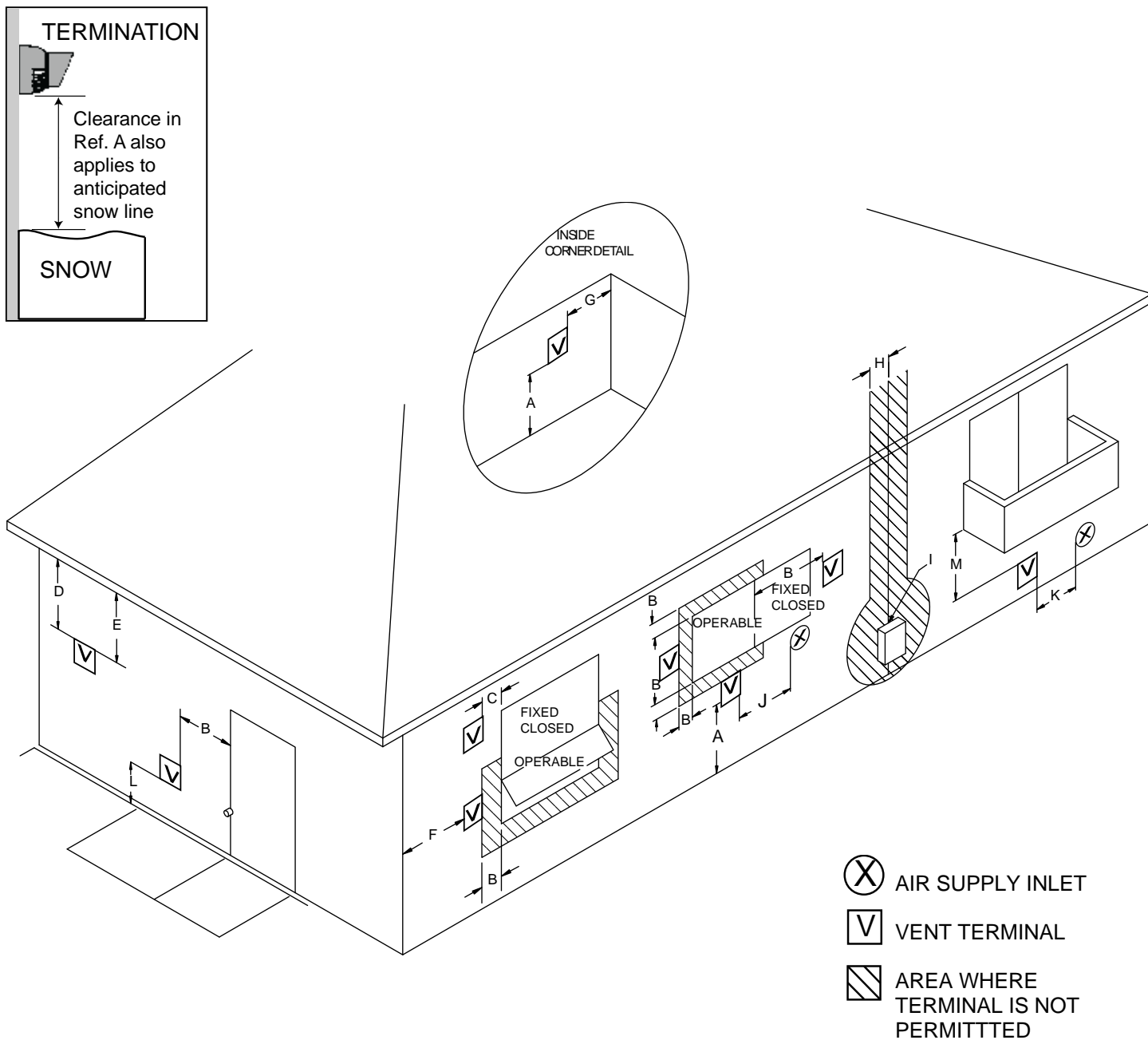
For beauty salon applications, a hot water circulation loop feeding the head wash stations is highly recommended. This provides instant hot water to the head wash stations and reduces the possibility of cold bursts at the stations. (Refer to the piping schematics in this manual.) Insulation of circulation piping is also recommended for heat retention.

Exhaust gases from beauty salon applications and fume hoods of commercial dish washers with chemical sanitizers can be highly corrosive and may cause premature failure of water heater components. Care must be taken to ensure that the water heater and vent termination are installed away from that area. An uncontaminated supply of combustible air must be maintained for optimum performance of the water heater.

If the intended installation is located in hard water area, a softener or similar water treatment system must be used. Always remember to perform routine maintenance.

For any applications requiring temperatures above 140° F, an MCC-91 temperature controller must be purchased separately.

Vent Termination Clearances



Vent Termination Clearances

Ref	Description	Canadian Installations	US Installations
A	Clearance above grade, veranda, porch, deck, or balcony	12 inches (30 cm)	12 inches (30 cm)
B	Clearance to window or door that may be opened	36 inches (91 cm)	12 inches (30 cm)
C	Clearance to permanently closed window	*	*
D	Vertical clearance to ventilated soffit, located above the terminal within a horizontal distance of 2 feet (61 cm) from the center line of the terminal	*	*
E	Clearance to unventilated soffit	*	*
F	Clearance to outside corner	*	*
G	Clearance to inside corner	*	*
H	Clearance to each side of center line extended above meter/regulator assembly	3 feet (91 cm) within a height 15 feet (4.5 m) above the meter/regulator assembly	*
I	Clearance to service regulator vent outlet	36 inches (91 cm)	*
J	Clearance to nonmechanical air supply inlet to building or the combustion air inlet to any other appliance	36 inches (91 cm)	12 inches (30 cm)
K	Clearance to a mechanical air supply inlet	6 feet (1.83 m)	3 feet (91 cm) above if within 10 feet (3 m) horizontally
L	Clearance above paved sidewalk or paved driveway located on public property	7 feet (2.13 m) ①	*
M	Clearance under veranda, porch, deck, or balcony	12 inches (30 cm) ②	*

NOTE: An outdoor water heater with integral vent and intake is functionally similar to a direct vent product in that the combustion air is drawn from the outside and the flue products are vented to the outside. These clearances apply to indoor and outdoor water heaters.

- ① A vent shall not terminate directly above a sidewalk or paved driveway that is located between two single family dwellings and serves both dwellings.
- ② Permitted only if veranda, porch, deck, or balcony is fully open on a minimum of two sides beneath the floor.
- * For clearances not specified in *ANSI Z223.1/NFPA 54* or *CSA B149.1*, clearances are in accordance with local installation codes and the requirements of the gas supplier.

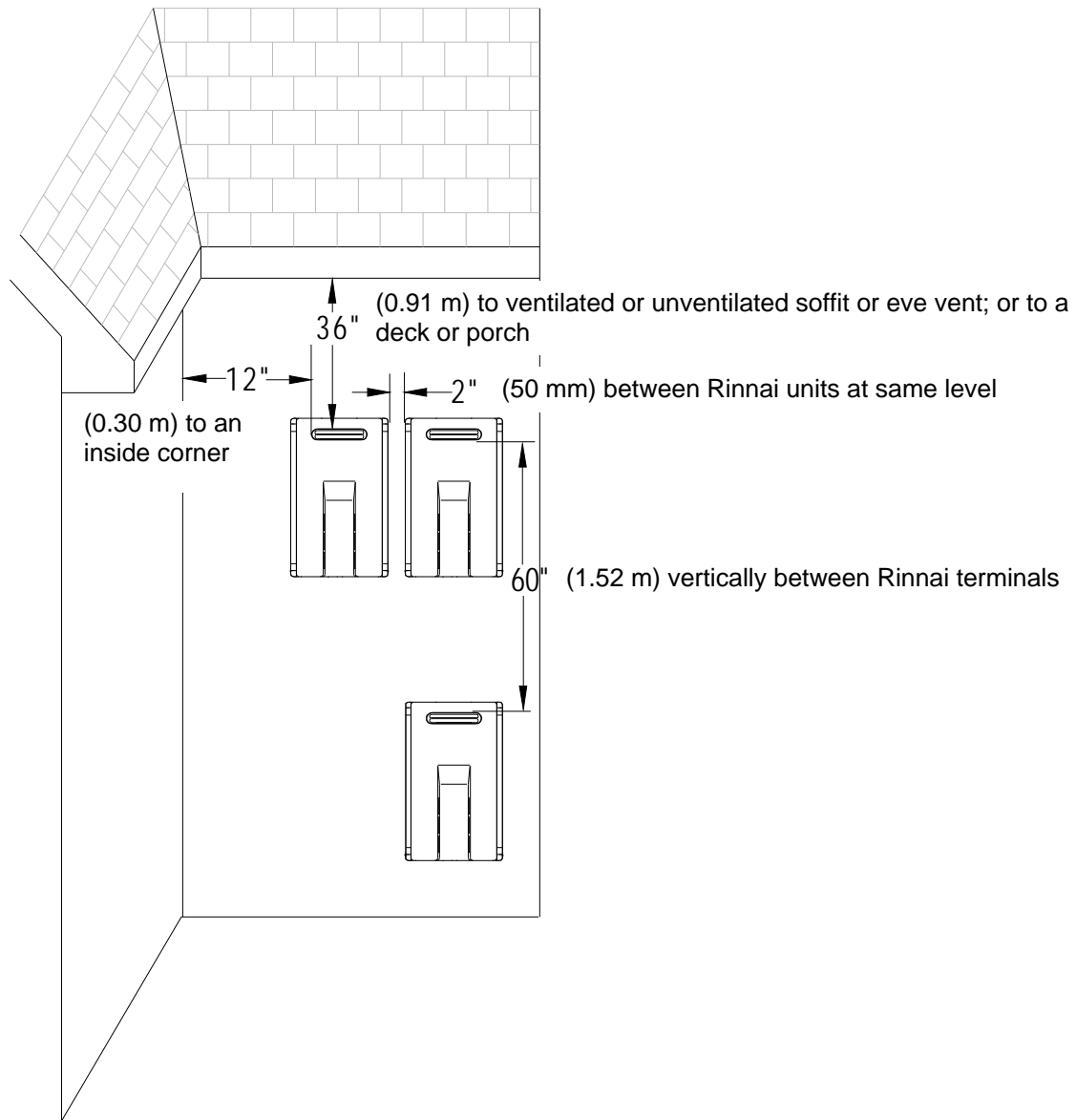
Additional Clearances

These clearances are to supplement the clearances specified in ANSI Z223.1 which are currently in the FFU (indoor) and W (outdoor) manuals. They apply to all water heater models. Local codes supersede these recommendations.

General Recommendations

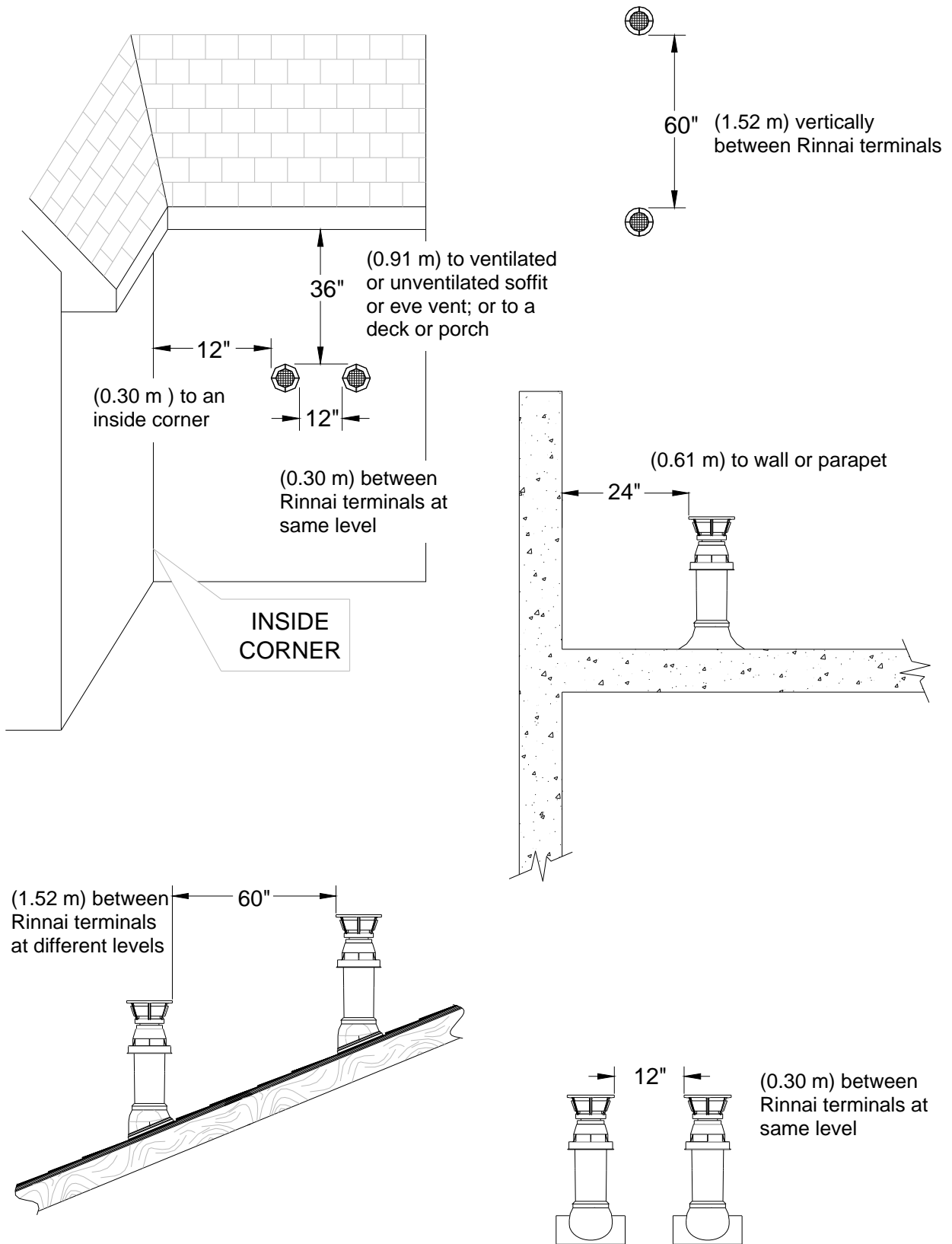
- Avoid termination locations near a dryer vent. (See TB-46 for more information.)
- Avoid termination locations near commercial cooking exhaust.

W (Outdoor) Models



Additional Clearances

Termination of FFU (Indoor) Models



Pump Sizing for Storage Tank Application

The following applies when using Rinnai tankless water heaters to recover a storage tank. Drawing WH1-BC is an example.

Rinnai Tankless water heaters have a pressure loss which must be considered in the system design. Reference the pressure loss curve for the Rinnai model being used to determine the pump size for the desired recovery rate.

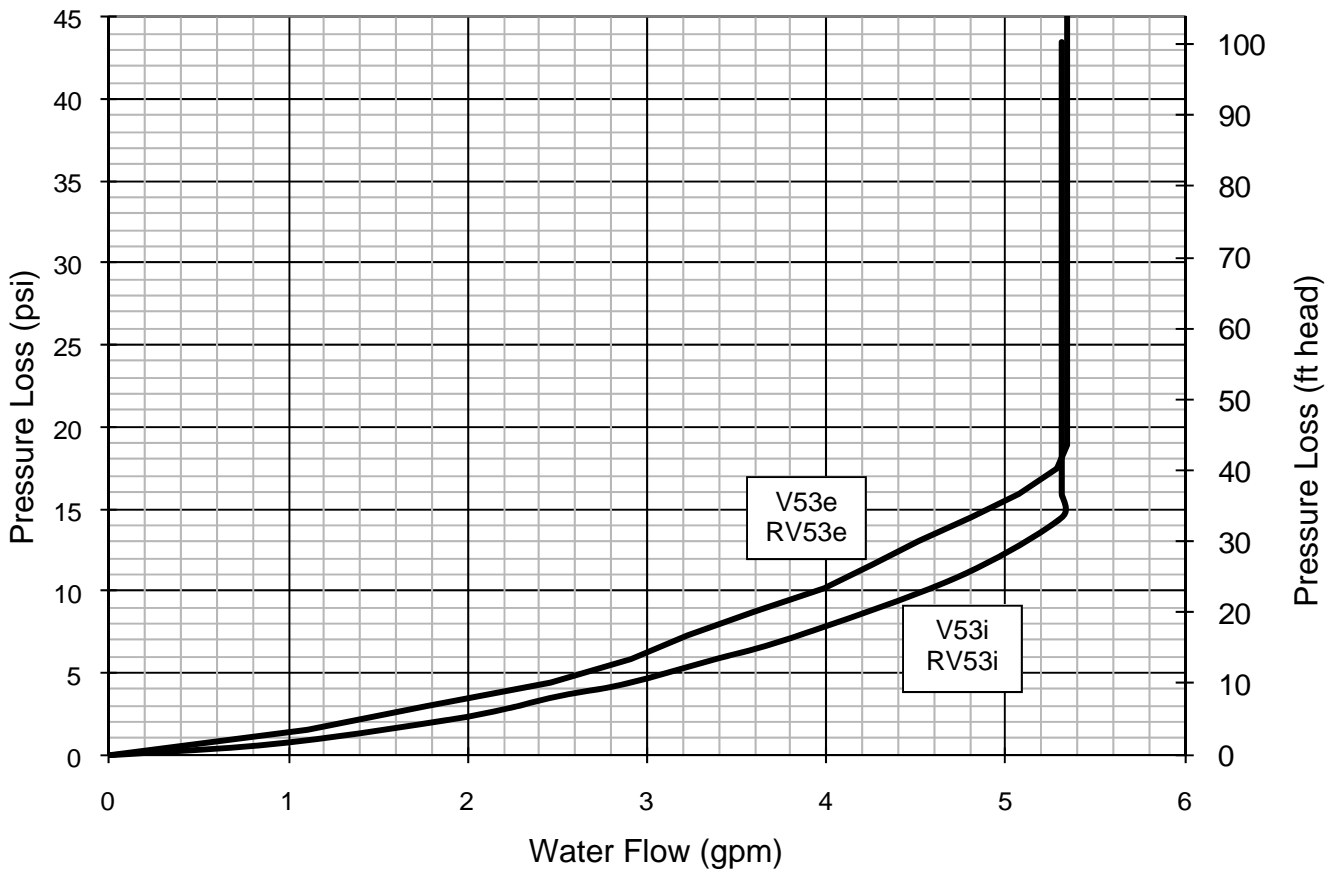
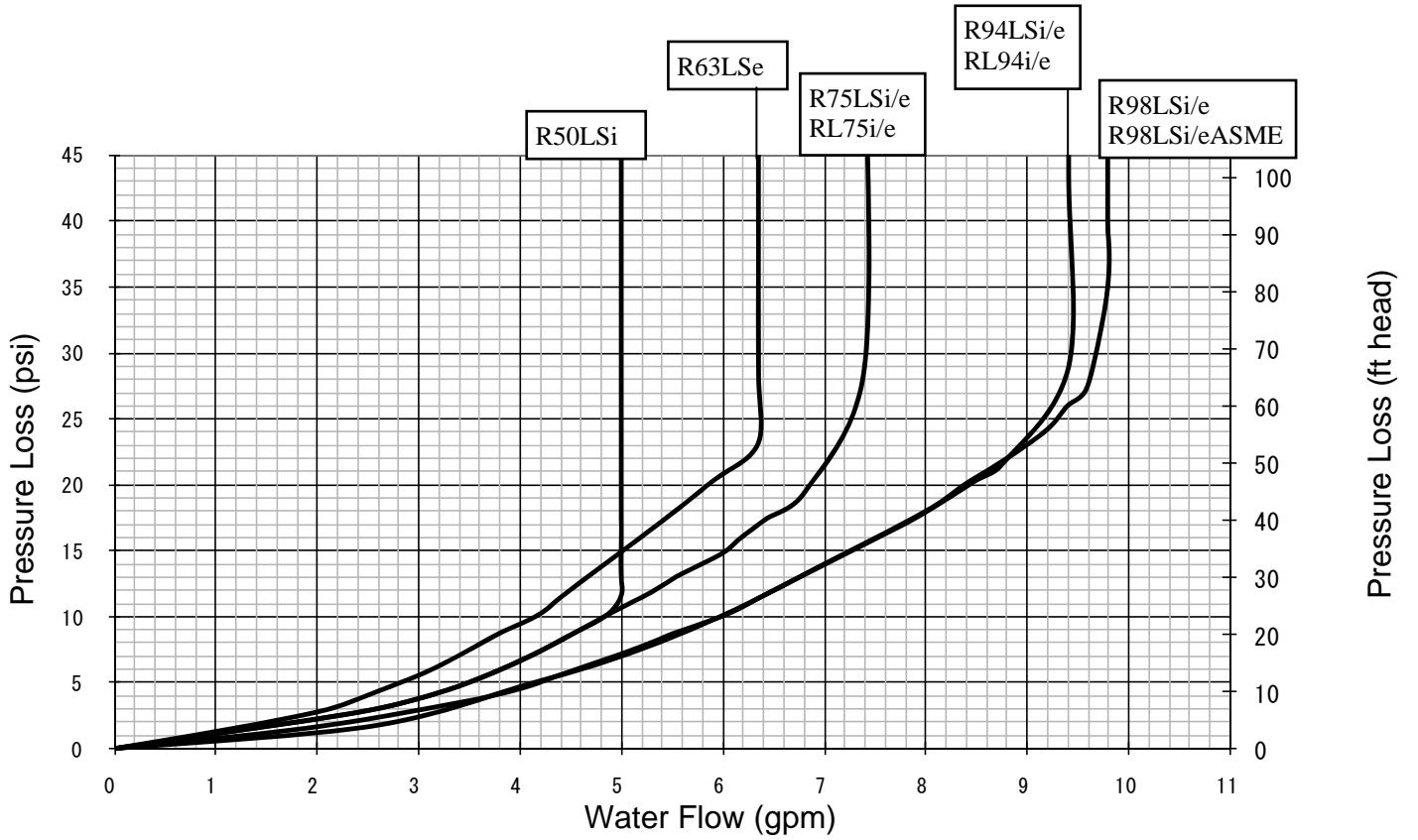
For recommended pump sizes use the table below. Additional pressure losses in plumbing between the Rinnai(s) and the storage tank must also be taken into consideration.

The specified pump size is to provide maximum recovery of the storage tank. A smaller pump size may be used, but could result in longer recovery time of the tank. Please contact the engineering department with any questions on pump sizing.

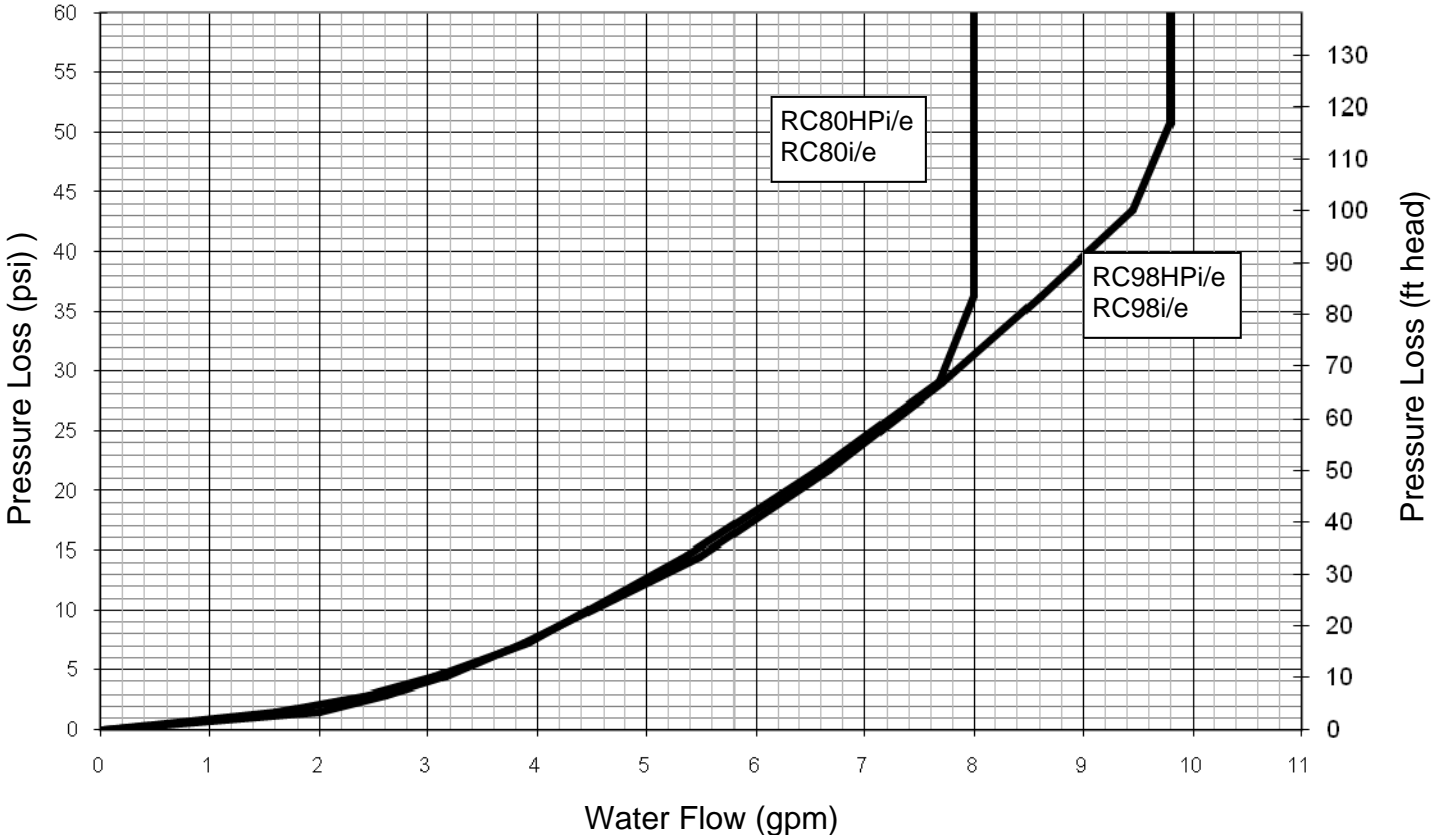
NOTE: Only use pumps of brass, bronze, or stainless steel construction. Do not use pumps of iron construction as they will oxidize and clog the inlet filter on the appliance.

Pump Flow Requirements			
Number of Rinnai Water Heaters	R94LSi/e, RL94i/e R98LSi/e(ASME) RC80HPi/e, RC80i/e RC98HPi/e, RC98i/e	R/C53i(PLUS) R70e R75LSi/e, RL75i/e	V53e, RV53e V53i, RV53i R50LSi R63LSe2
1	6 gpm @ 30' head	5 gpm @ 25' head	4 gpm @ 25' head
2	12 gpm @ 30' head	10 gpm @ 25' head	8 gpm @ 25' head
3	18 gpm @ 30' head	15 gpm @ 25' head	12 gpm @ 25' head
4	24 gpm @ 30' head	20 gpm @ 25' head	16 gpm @ 25' head
5	30 gpm @ 30' head	25 gpm @ 25' head	20 gpm @ 25' head
6	36 gpm @ 30' head	30 gpm @ 25' head	24 gpm @ 25' head
7	42 gpm @ 30' head	35 gpm @ 25' head	28 gpm @ 25' head
8	48 gpm @ 30' head	40 gpm @ 25' head	32 gpm @ 25' head
9	54 gpm @ 30' head	45 gpm @ 25' head	36 gpm @ 25' head
10	60 gpm @ 30' head	50 gpm @ 25' head	40 gpm @ 25' head
11	66 gpm @ 30' head	55 gpm @ 25' head	44 gpm @ 25' head
12	72 gpm @ 30' head	60 gpm @ 25' head	48 gpm @ 25' head
13	78 gpm @ 30' head	65 gpm @ 25' head	52 gpm @ 25' head
14	84 gpm @ 30' head	70 gpm @ 25' head	56 gpm @ 25' head
15	90 gpm @ 30' head	75 gpm @ 25' head	60 gpm @ 25' head

Pressure Loss Curves - Non Condensing Models



Pressure Loss Curves - Condensing Models



Condensing Tankless Single Unit

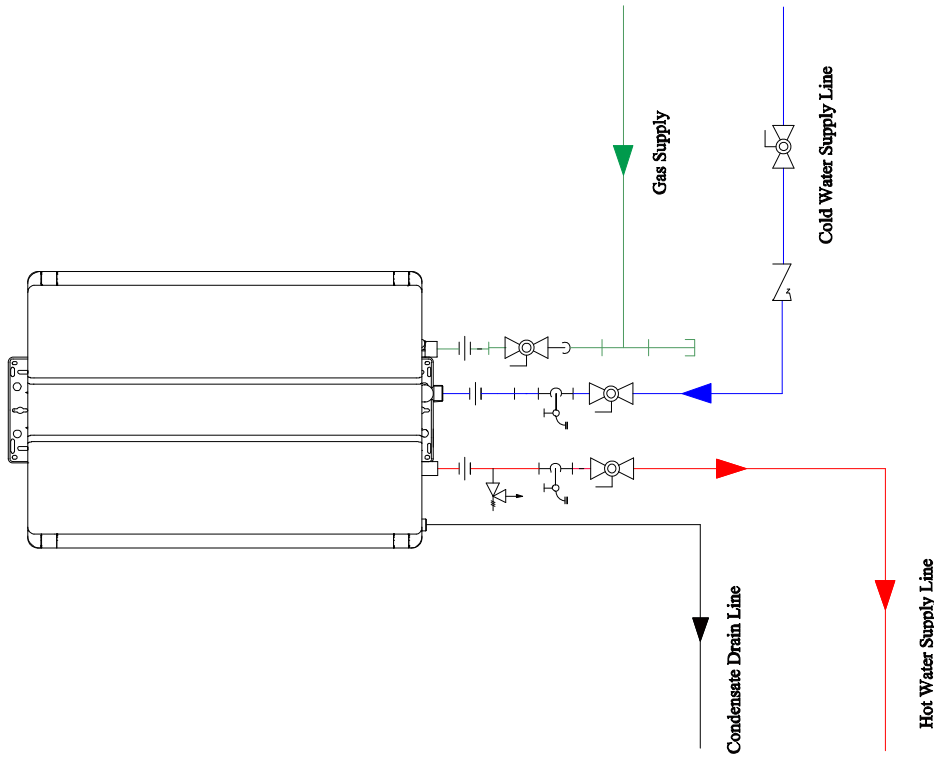
Note:

Condensate piping shall be CPVC or PVC material and shall not be smaller than the drain connection on the appliance.

Components of the condensate drainage shall be CPVC or PVC material. All components shall be selected for the pressure and temperature rating of the installation.

Where the drain pipes from more than one unit are manifolded together for condensate drainage, the pipe or tubing shall be sized in accordance with an approved method as dictated by local codes.

Condensate must be disposed of according to local codes.



This is not an engineering drawing; it is intended only as a guide and not as a replacement for professional engineering project drawings. This drawing is not intended to describe a complete system. It is up to the contractor or engineer to determine the necessary components and configuration of the particular system to be installed. The drawing does not imply compliance with local building code requirements. It is the responsibility of the engineer or contractor to ensure that the installation is in accordance with all local building codes. Confer with local building officials before installation.

Rinnai, America Corporation
103 International Drive
Peachtree City, GA 30269
1-800-621-9419

Tolerance
Fraction = 1/16"
XX=±0.030
XXX=±0.015
XXXX=±0.005

This drawing is the exclusive property of Rinnai, America Corporation. It may not be reproduced or given to third parties.

Drawn By: DRM
Approved By: RS
Scale: NTS
Date: 03/02/11

Rinnai
Condensing Tankless Single Unit

SIZE: A
DWG NO.: CWH1
REV: D
DATE: 03/02/11
SHEET: 1 of 1

4 3 2 1

Condensing Tankless
Two Units

Rinnai Equipment List

Rinnai Condensing Water Heaters
Electronic Connection*

QTY
2

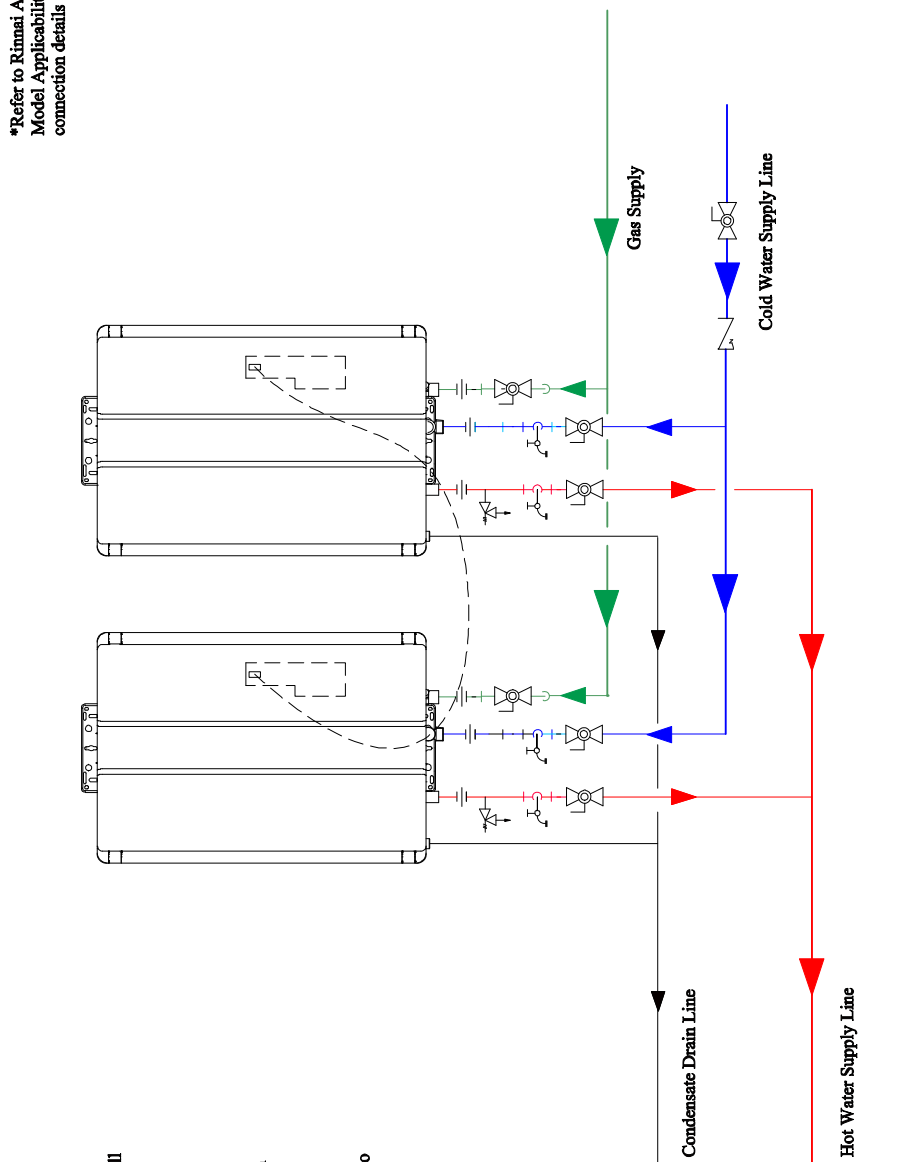
Note:

Condensate piping shall be CPVC or PVC material and shall not be smaller than the drain connection on the appliance.

Components of the condensate drainage shall be CPVC or PVC material. All components shall be selected for the pressure and temperature rating of the installation.

Where the drain pipes from more than one unit are manifolded together for condensate drainage, the pipe or tubing shall be sized in accordance with an approved method as dictated by local codes.

Condensate must be disposed of according to local codes.



This is not an engineering drawing; it is intended only as a guide and not as a replacement for professional engineering project drawings. This drawing is not intended to describe a complete system. It is up to the contractor or engineer to determine the necessary components and configuration of the particular system to be installed. The drawing does not imply compliance with local building code requirements. It is the responsibility of the engineer or contractor to ensure that the installation is in accordance with all local building codes. Confer with local building officials before installation.

Rinnai America Corporation
103 International Drive
Peachtree City, GA 30269
1-800-621-9419

Tolerance
Fraction = ±1/16"
X.XX = ±0.030
X.XXX = ±0.015
X.XXXX = ±0.005

This drawing is the exclusive property of Rinnai America Corporation. It is not to be reproduced or given to third parties.

Drawn By: DRM
Approved By: RS

Rinnai
Condensing Tankless
Two Units

SIZE: A
SCALE: NTS
DATE: 03/02/11
DWS NO.: CWH2
REV: D
SHEET: 1 of 1

D

C

B

A

4

3

2

1

Condensing Tankless
Three Units

Rinnai Equipment List

Rinnai Condensing Water Heaters

3

Electronic Connection*

*Refer to Rinnai Accessories and
Model Applicability for electronic
connection details

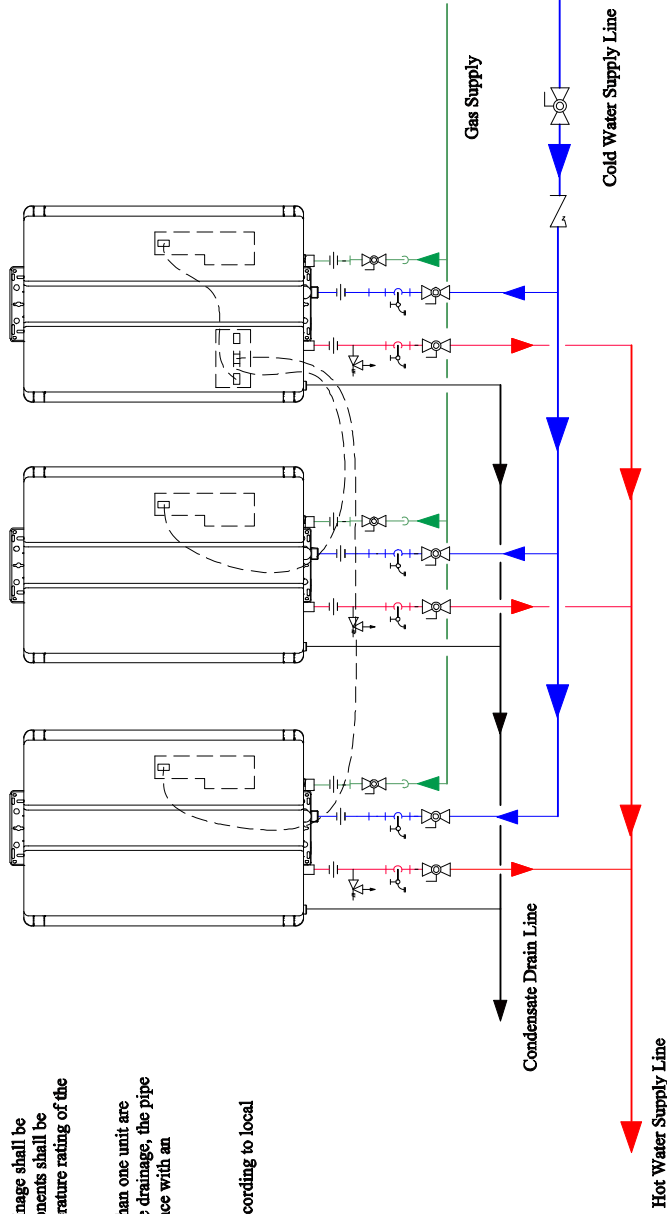
Note:

Condensate piping shall be CPVC or PVC material and shall not be smaller than the drain connection on the appliance.

Components of the condensate drainage shall be CPVC or PVC material. All components shall be selected for the pressure and temperature rating of the installation.

Where the drain pipes from more than one unit are manifolded together for condensate drainage, the pipe or tubing shall be sized in accordance with an approved method as dictated by local codes.

Condensate must be disposed of according to local codes.



This is not an engineering drawing; it is intended only as a guide and not as a replacement for professional engineering project drawings. This drawing is not intended to describe a complete system; it is up to the contractor or engineer to determine the necessary components and configuration of the particular system to be installed. The drawing does not imply compliance with local building code requirements. It is the responsibility of the engineer or contractor to ensure that the installation is in accordance with all local building codes. Confer with local building officials before installation.

Rinnai America Corporation
103 International Drive
Peachtree City, GA 30269
1-800-621-9419

Tolerance
Fraction = ±1/16"
X.X = ±0.030
X.XX = ±0.015
X.XXX = ±0.005

This drawing is the exclusive property of Rinnai America Corporation. It is not to be reproduced or given to third parties.

Drawn By: DRM
Approved By: RS

Rinnai
Condensing Tankless
Three Units

SIZE: A
SCALE: NTS
DATE: 03/02/11
DWS NO.: CWH3
REV: D
SHEET: 1 of 1

4

3

2

1

D

C

B

A

4 3 2 1

Condensing Tankless
Six Units

Rinnai Equipment List

Rinnai Condensing Water Heaters

QTY

6

Note:

Condensate piping shall be CPVC or PVC material and shall not be smaller than the drain connection on the appliance.

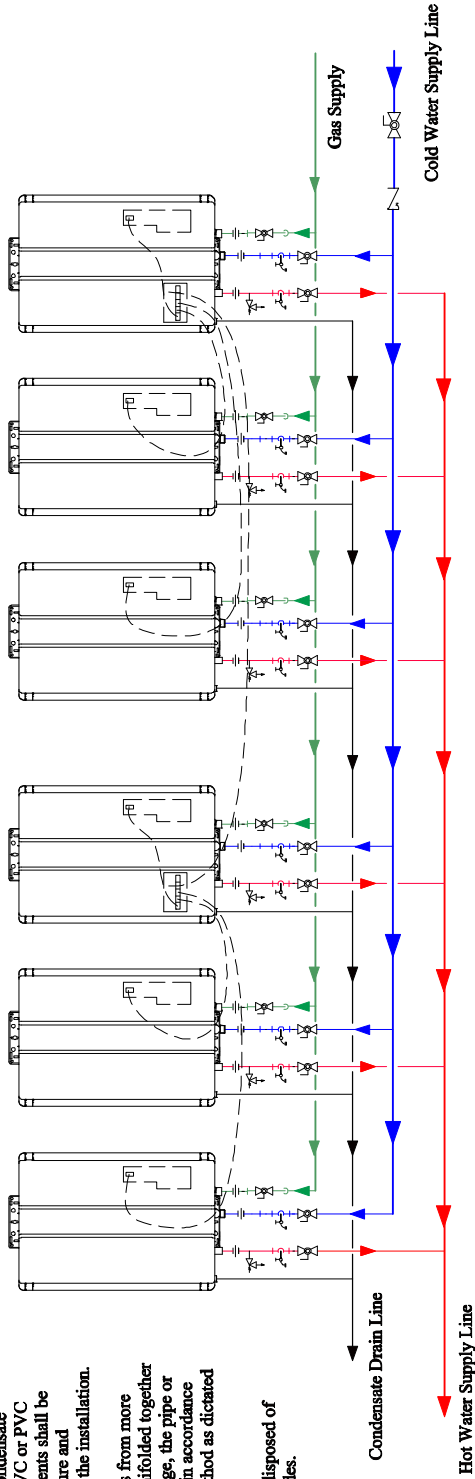
Components of the condensate drainage shall be CPVC or PVC material. All components shall be selected for the pressure and temperature rating of the installation.

Where the drain pipes from more than one unit are manifolded together for condensate drainage, the pipe or tubing shall be sized in accordance with an approved method as dictated by local codes.

Condensate must be disposed of according to local codes.

Electronic Connection*

*Refer to Rinnai Accessories and Model Application for electronic connection details



This is not an engineering drawing; it is intended only as a guide and not as a replacement for professional engineering project drawings. This drawing is not intended to describe a complete system. It is up to the contractor or engineer to determine the necessary components and configuration of the particular system to be installed. The drawing does not imply compliance with local building code requirements. It is the responsibility of the engineer or contractor to ensure that the installation is in accordance with all local building codes. Confer with local building officials before installation.

Rinnai America Corporation
103 International Drive
Peachtree City, GA 30269
1-800-621-9419

This drawing is the exclusive property of Rinnai America Corporation. It is not to be reproduced or given to third parties.

Drawn By	DRM
Approved By	RS
DATE	03/02/11
SIZE	A
SCALE	AS SHOWN
DWG NO.	CWH6
REV	D
SHEET 1 of 1	

D

C

B

A

**Condensing Tankless
Single Unit Circulation**

Rinnai Equipment List

Rinnai Condensing Water Heaters	QTY 1
---------------------------------	----------

Note:

Condensate piping shall be CPVC or PVC material and shall not be smaller than the drain connection on the appliance.

Components of the condensate drainage shall be CPVC or PVC material. All components shall be selected for the pressure and temperature rating of the installation.

Where the drain pipes from more than one unit are manifolded together for condensate drainage, the pipe or tubing shall be sized in accordance with an approved method as dictated by local codes.

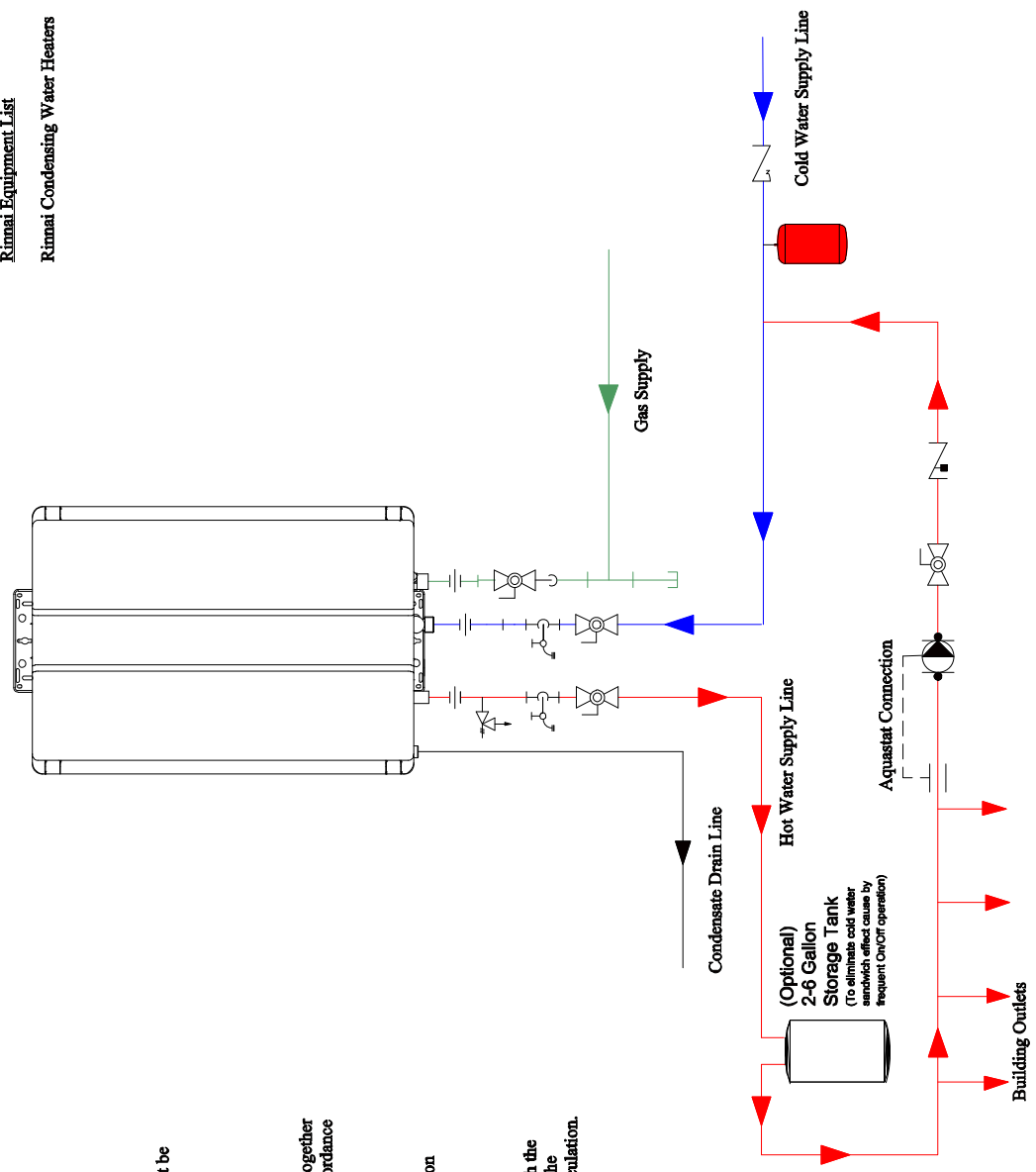
Condensate must be disposed of according to local codes.

Pump should be controlled by an Aquastat, Timer or Combination Aquastat and Timer.

Pump should be sized to maintain circulation loop temperature.

The pump should be sized to overcome the pressure loss through the tankless water heater, supply, and return plumbing. Reference the Rinnai Hot Water System Design Manual, Pump Sizing for Circulation.

Pump should be of bronze or stainless construction.



This is not an engineering drawing; it is intended only as a guide and not as a replacement for professional engineering project drawings. This drawing is not intended to describe a complete system. It is up to the contractor or engineer to determine the necessary components and configuration of the particular system to be installed. The drawing does not imply compliance with local building code requirements. It is the responsibility of the engineer or contractor to ensure that the installation is in accordance with all local building codes. Confer with local officials before installation.

Rinnai America Corporation
103 International Drive
Peachtree City, GA 30269
1-800-621-9419

Tolerance
Frac: 1/16" = ±1/16"
X.XX = ±0.030
X.XXX = ±0.015
X.XXXX = ±0.005

This drawing is the exclusive property of Rinnai America Corporation. It may not be reproduced or given to third parties.

Drawn By: DRM
Approved By: RS

Rinnai
Condensing Tankless
Single Unit Circulation

SIZE: A
SCALE: NTS
DWG NO.: CWH1-C
DATE: 03/02/11
REV: D
SHEET: 1 of 1

4 3 2 1

**Condensing Tankless
Two Unit Circulation**

Rinnai Equipment List	QTY
Rinnai Condensing Water Heaters	2
Electronic Connection*	

Note:

Condensate piping shall be CPVC or PVC material and shall not be smaller than the drain connection on the appliance.

Components of the condensate drainage shall be CPVC or PVC material. All components shall be selected for the pressure and temperature rating of the installation.

Where the drain pipes from more than one unit are manifolded together for condensate drainage, the pipe or tubing shall be sized in accordance with an approved method as dictated by local codes.

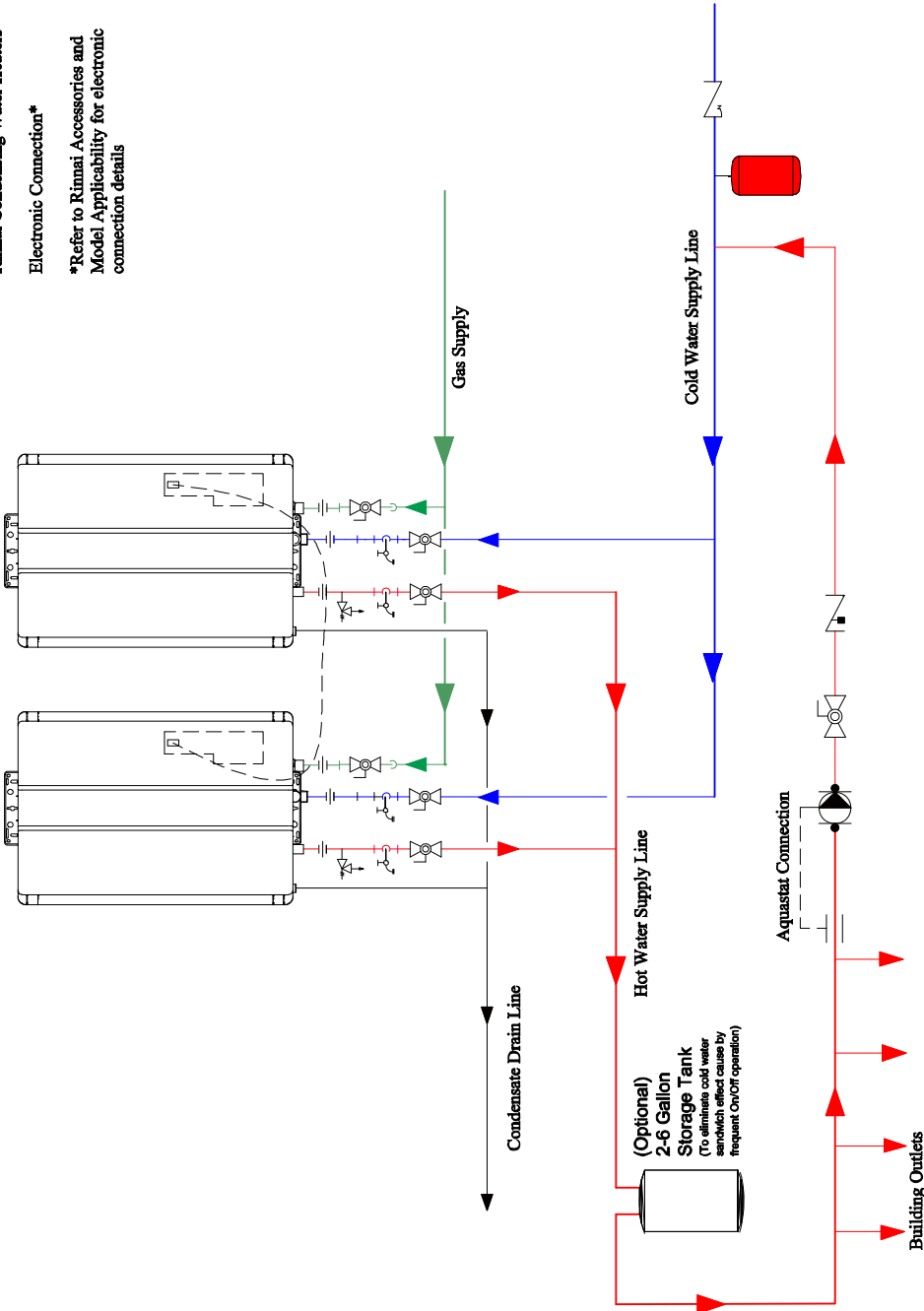
Condensate must be disposed of according to local codes.

Pump should be controlled by an Aquastat, Timer or Combination Aquastat and Timer.

Pump should be sized to maintain circulation loop temperature.

The pump should be sized to overcome the pressure loss through the tankless water heater, supply, and return plumbing. Reference the Rinnai Hot Water System Design Manual, Pump Sizing for Circulation.

Pump should be of bronze or stainless construction.



This is not an engineering drawing; it is intended only as a guide and not as a replacement for professional engineering project drawings. This drawing is not intended to describe a complete system. It is up to the contractor or engineer to determine the necessary components and configuration of the particular system to be installed. The drawing does not imply compliance with local building code requirements. It is the responsibility of the engineer or contractor to ensure that the installation is in accordance with all local building codes. Confer with local officials before installation.

Rinnai America Corporation
103 International Drive
Peachtree City, GA 30269
1-800-621-9419
Tolerance
X.XX±0.030
X.XXX±0.015
X.XXXX±0.005

This drawing is the exclusive property of Rinnai America Corporation. It may not be reproduced or given to third parties.
Drawn By: DRM
Approved By: IRS

Rinnai
Condensing Tankless
Two Unit Circulation
SIZE: SCALE
A: NTS
DWG NO.: CWH2-C
DATE: 03/02/11
SHEET: 1 of 1

D C B A

4 3 2 1

**Condensing Tankless
Three Unit Circulation**

Rinnai Equipment List

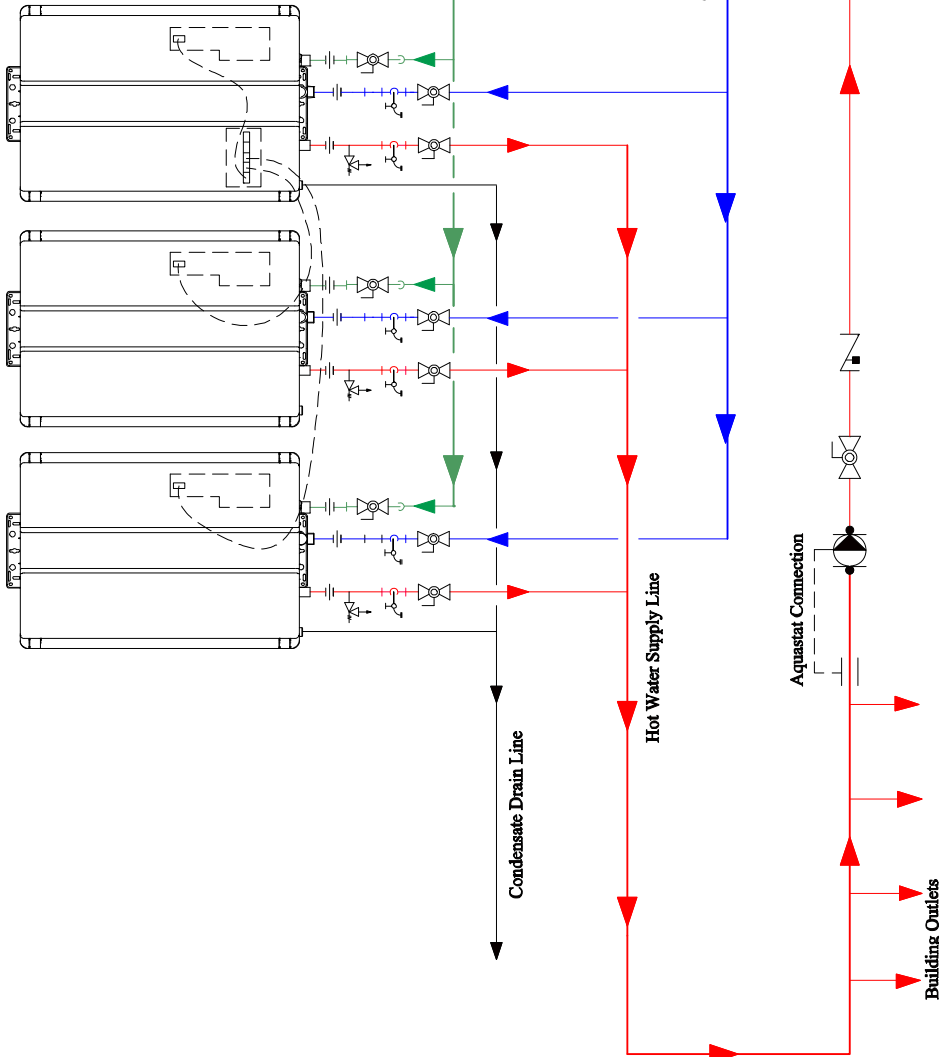
Rinnai Condensing Water Heaters

QTY

3

Electronic Connection*

*Refer to Rinnai Accessories and Model Applicability for electronic connection details



Note:

Condensate piping shall be CPVC or PVC material and shall not be smaller than the drain connection on the appliance.

Components of the condensate drainage shall be CPVC or PVC material. All components shall be selected for the pressure and temperature rating of the installation.

Where the drain pipes from more than one unit are manifolded together for condensate drainage, the pipe or tubing shall be sized in accordance with an approved method as dictated by local codes.

Condensate must be disposed of according to local codes.

Pump should be controlled by an Aquastat, Timer or Combination Aquastat and Timer.

Pump should be sized to maintain circulation loop temperature.

The pump should be sized to overcome the pressure loss through the tankless water heater, supply, and return plumbing. Reference the Rinnai Hot Water System Design Manual, Pump Sizing for Circulation.

Pump should be of bronze or stainless construction.

This is not an engineering drawing; it is intended only as a guide and not as a replacement for professional engineering project drawings. This drawing is not intended to describe a complete system. It is up to the contractor or engineer to determine the necessary components and configuration of the particular system to be installed. The drawing does not imply compliance with local building code requirements. It is the responsibility of the engineer or contractor to ensure that the installation is in accordance with all local building codes. Confer with local building officials before installation.

Rinnai America Corporation
103 International Drive
Peachtree City, GA 30269
1-800-621-9419
Tolerance
F:0.030 = ±1/8"
X:0.030
X:XX=±0.015
X:XXX=±0.005

This drawing is the exclusive property of Rinnai America Corporation. It may not be reproduced or given to third parties.
Drawn By: DRM
Approved By: RS

Rinnai
Condensing Tankless
Three Unit Circulation
SIZE: SCALE: A: NTS
DWG NO.: CWH3-C
DATE: 03/02/11
REV: D
SHEET: 1 of 1

4 3 2 1

4 3 2 1

Condensing Tankless Six Unit Circulation

Rinnai Equipment List

Rinnai Condensing Water Heaters

QTY

6

Electronic Connection*

*Refer to Rinnai Accessories and Model Applicability for electronic connection details

Condensate piping shall be CPVC or PVC material and shall not be smaller than the drain connection on the appliance.

Components of the condensate drainage shall be CPVC or PVC material. All components shall be selected for the pressure and temperature rating of the installation.

Where the drain pipes from more than one unit are manifolded together for condensate drainage, the pipe or tubing shall be sized in accordance with an approved method as dictated by local codes.

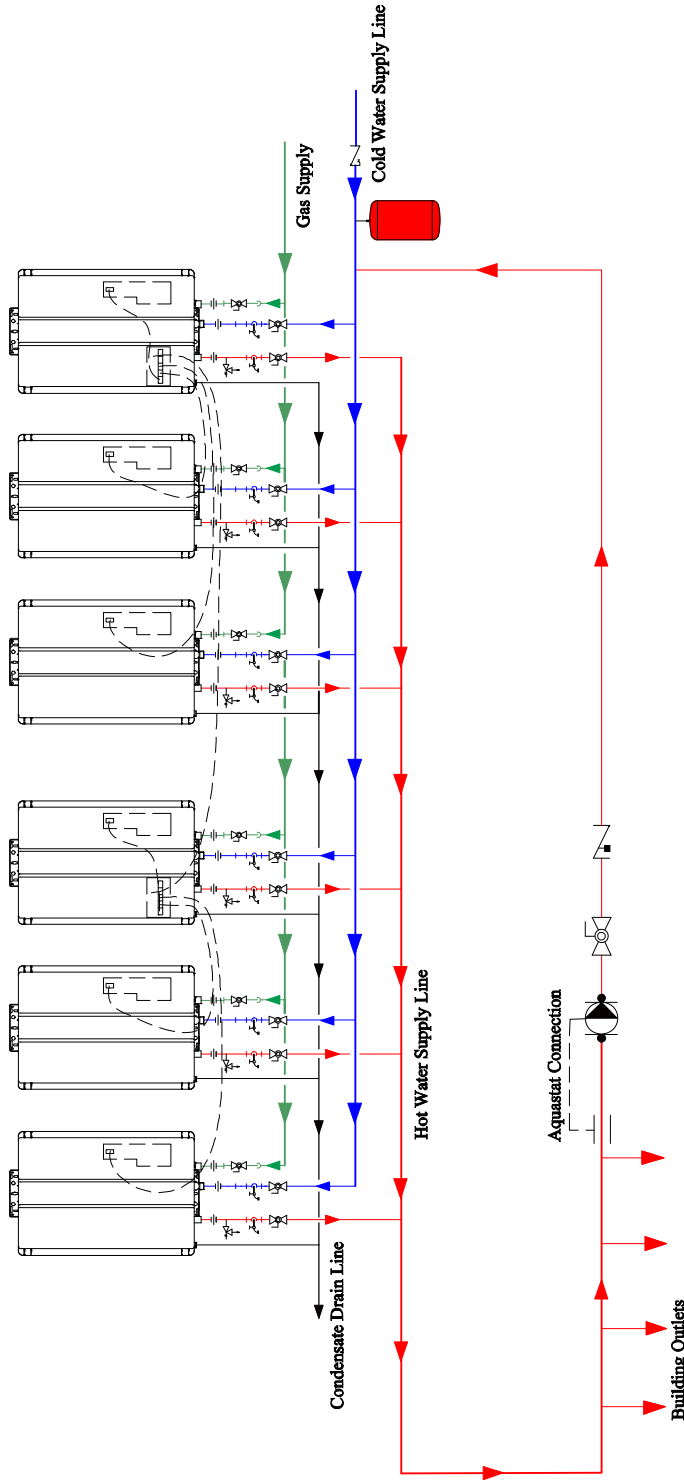
Condensate must be disposed of according to local codes.

Pump should be controlled by an Aquasat, Timer or Combination Aquasat and Timer.

Pump should be sized to maintain circulation loop temperature.

The pump should be sized to overcome the pressure loss through the tankless water heater, supply, and return plumbing. Reference the Rinnai Hot Water System Design Manual, Pump Sizing for Circulation.

Pump should be of bronze or stainless construction.



This is not an engineering drawing; it is intended only as a guide and not as a replacement for professional engineering project drawings. This drawing is not intended to describe a complete system. It is up to the contractor or engineer to determine the necessary components and configuration of the particular system to be installed. The drawing does not imply compliance with local building code requirements. It is the responsibility of the engineer or contractor to ensure that the installation is in accordance with all local building codes. Confer with local officials before installation.

Rinnai America Corporation
103 International Drive
Peachtree City, GA 30269
1-800-621-9419
Tolerance
Frac: 1/16" = ±1/16"
X.XX = ±0.030
X.XXX = ±0.015
X.XXXX = ±0.005

This drawing is the exclusive property of Rinnai America Corporation. It may not be reproduced or given to third parties.
Drawn By: DRM
Approved By: RS

Rinnai Condensing Tankless Six Unit Circulation		SIZE	DWG NO.	REV
		SCALE	CWH6-C	D
A	NTS			
DATE		03/02/11		SHEET 1 of 1

D C B A

Condensing Tankless Single Unit with Backup Storage

For this application:

Condensate piping shall be CPVC or PVC material and shall not be smaller than the drain connection on the appliance.

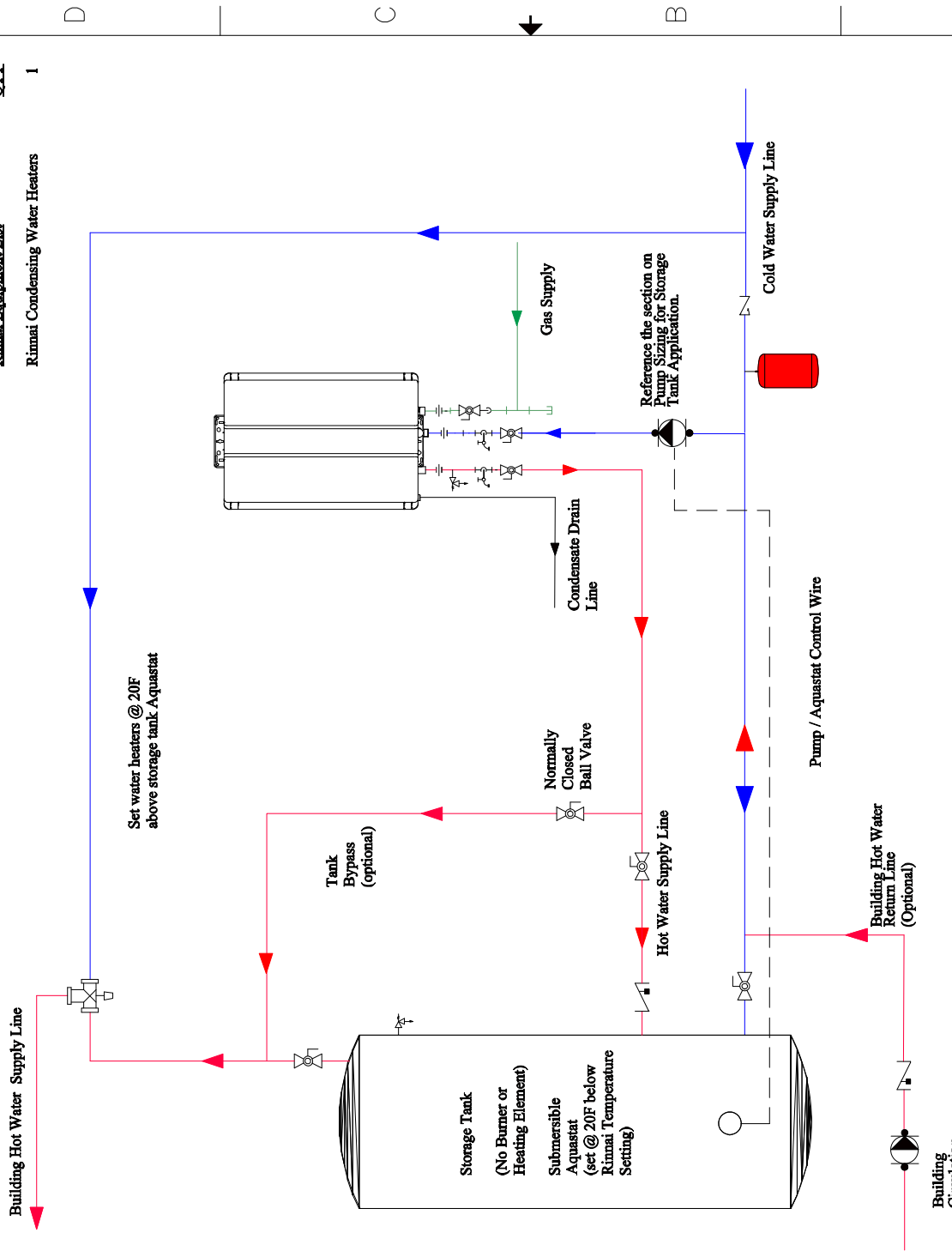
Components of the condensate drainage shall be CPVC or PVC material. All components shall be selected for the pressure and temperature rating of the installation.

Where the drain pipes from more than one unit are manifolded together for condensate drainage, the pipe or tubing shall be sized in accordance with an approved method as dictated by local codes.

Condensate must be disposed according to local codes.

Do not use manifold electronic controls with storage tank applications

Rinnai Equipment List	QTY
Rinnai Condensing Water Heaters	1



Set water heaters @ 20F above storage tank Aquastat

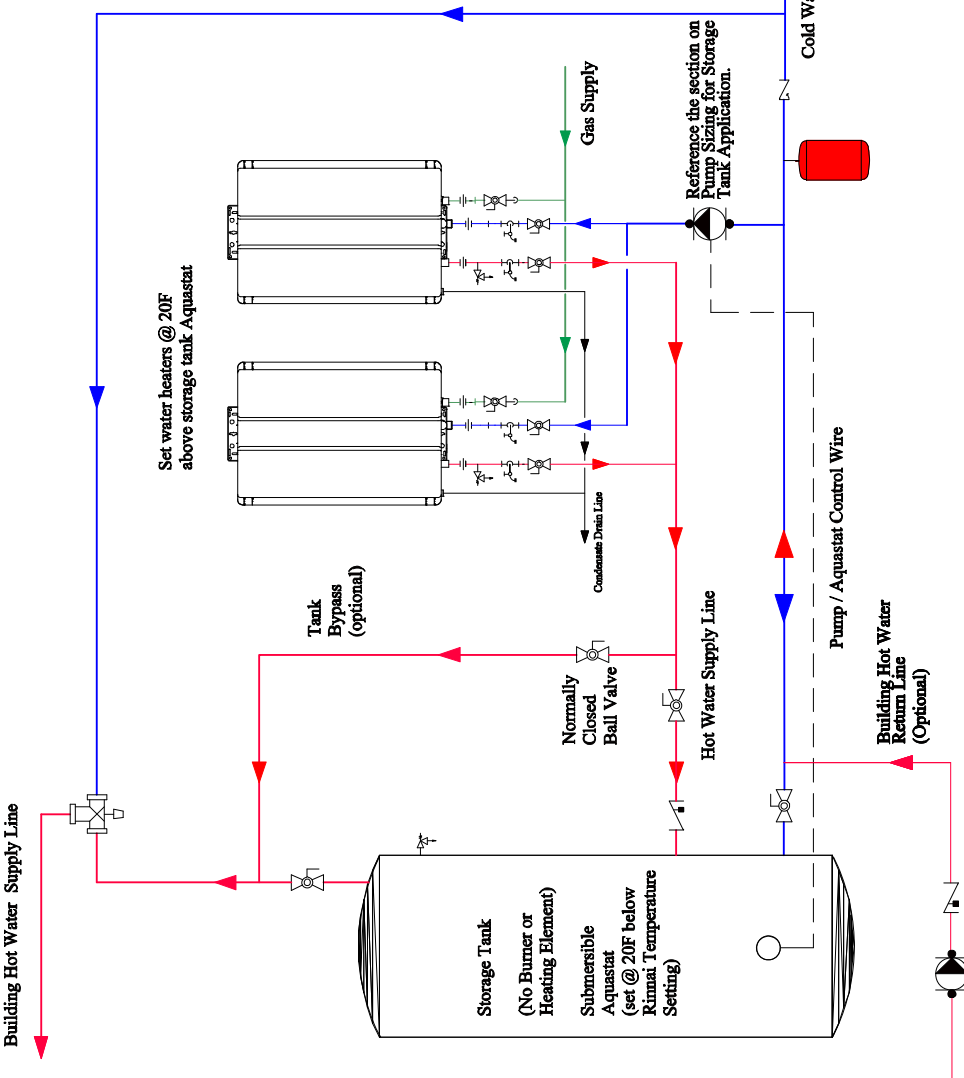
Reference the section on Pump Sizing for Storage Tank Application.

This is not an engineering drawing; it is intended only as a guide and not as a replacement for professional engineering project drawings. This drawing is not intended to describe a complete system. It is up to the contractor or engineer to determine the necessary components and configuration of the particular system to be installed. The drawing does not imply compliance with local building code requirements. It is the responsibility of the engineer or contractor to ensure that the installation is in accordance with all local building codes. Confer with local officials before installation.

Rinnai America Corporation 103 International Drive Peachtree City, GA 30269 1-800-621-9419		This drawing is the exclusive property of Rinnai America Corporation. It may not be reproduced or given to third parties.	
Drawn By	DRM	Scale	A NTS
Approved By	RS	Date	03/02/11
Tolerance F: ±0.030 X: ±0.015 X: ±0.005		Condensing Tankless Single Unit with Backup Storage	
Rinnai		DWG NO.	CWH1-BC
SHEET		1 of 1	

**Condensing Tankless
Two Units with Backup Storage**

Rinnai Equipment List	QTY
Rinnai Condensing Water Heaters	2



For this application:

Condensate piping shall be CPVC or PVC material and shall not be smaller than the drain connection on the appliance.

Components of the condensate drainage shall be CPVC or PVC material. All components shall be selected for the pressure and temperature rating of the installation.

Where the drain pipes from more than one unit are manifolded together for condensate drainage, the pipe or tubing shall be sized in accordance with an approved method as dictated by local codes.

Condensate must be disposed according to local codes.

Do not use manifold electronic controls with storage tank applications

This is not an engineering drawing; it is intended only as a guide and not as a replacement for professional engineering project drawings. This drawing is not intended to describe a complete system. It is up to the contractor or engineer to determine the necessary components and configuration of the particular system to be installed. The drawing does not imply compliance with local building code requirements. It is the responsibility of the engineer or contractor to ensure that the installation is in accordance with all local building codes. Confer with local building officials before installation.

Rinnai America Corporation 103 International Drive Peachtree City, GA 30269 1-800-621-9419		This drawing is the exclusive property of Rinnai America Corporation and shall not be reproduced or given to third parties.	
Drawn By	DRM	Scale	ASNTS
Approved By	RS	DWG NO.	CWHZ-BC
Tolerance FRACTION = ±1/16" XXX±0.030 X.XXX±0.015 X.XXXX±0.005		SIZE	CONDENSING TANKLESS TWO UNITS WITH BACKUP STORAGE
		DATE	03/02/11
		REV	D
		SHEET 1 of 1	

Rinnai Equipment List
Rinnai Condensing Water Heaters

QTY
3

Condensing Tankless
Three Units with Backup Storage

For this application:

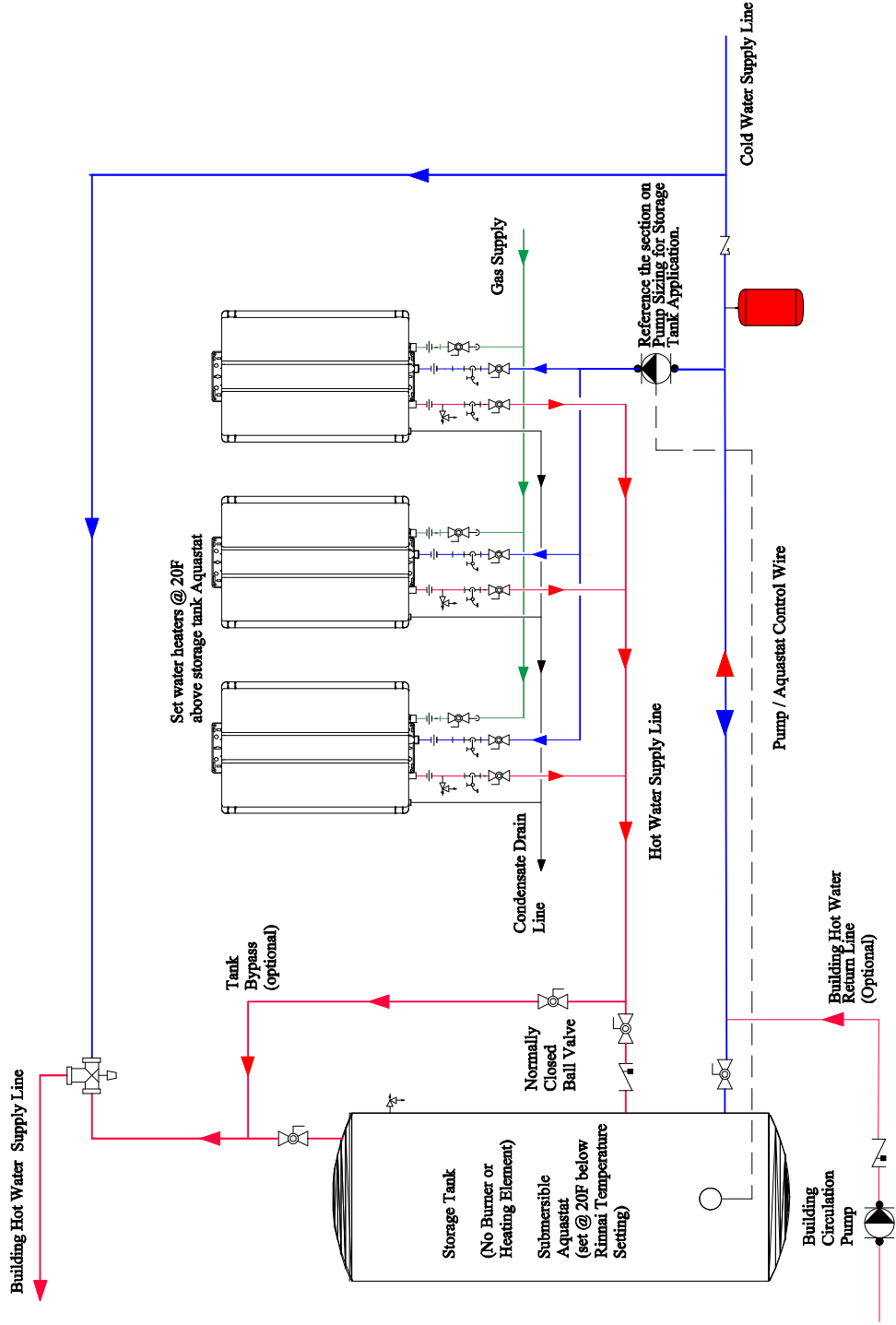
Condensate piping shall be CPVC or PVC material and shall not be smaller than the drain connection on the appliance.

Components of the condensate drainage shall be CPVC or PVC material. All components shall be selected for the pressure and temperature rating of the installation.

Where the drain pipes from more than one unit are manifolded together for condensate drainage, the pipe or tubing shall be sized in accordance with an approved method as dictated by local codes.

Condensate must be disposed according to local codes.

Do not use manifold electronic controls with storage tank applications



This is not an engineering drawing; it is intended only as a guide and not as a replacement for professional engineering project drawings. This drawing is not intended to describe a complete system. It is up to the contractor or engineer to determine the necessary components and configuration of the particular system to be installed. The drawing does not imply compliance with local building code requirements. It is the responsibility of the engineer or contractor to ensure that the installation is in accordance with all local building codes. Confer with local building officials before installation.

Rinnai America Corporation
 103 International Drive
 Peachtree City, GA 30269
 1-800-621-9419

Tolerance Fraction = $\pm \frac{1}{16}$ "
 X.XX=±0.030
 X.XXX=±0.015
 X.XXXX=±0.005

Drawn By: DRM
 Approved By: RS

This drawing is the exclusive property of Rinnai America Corporation and shall not be reproduced or given to third parties.

Rinnai

Condensing Tankless
 Three Units with Backup Storage

SIZE: A
 SCALE: NTS
 DATE: 03/02/11
 DWG NO.: CWH3-BC
 REV: D
 SHEET: 1 of 1

Rinnai Equipment List
Rinnai Condensing Water Heaters

QTY
6

Condensing Tankless Six Units with Backup Storage

For this application:

Condensate piping shall be CPVC or PVC material and shall not be smaller than the drain connection on the appliance.

Components of the condensate drainage shall be CPVC or PVC material. All components shall be selected for the pressure and temperature rating of the installation.

Where the drain pipes from more than one unit are manifolded together for condensate drainage, the pipe or tubing shall be sized in accordance with an approved method as dictated by local codes.

Condensate must be disposed according to local codes.

Do not use electronic manifold controls with storage tank applications

Building Hot Water Supply Line

Set water heaters @ 20F above storage tank Aquastat

Tank Bypass (optional)

Storage Tank
 (No Burner or Heating Element)
 Submersible Aquastat
 (set @ 20F below Rinnai Temperature Setting)

Normally Closed Ball Valve

Condensate Drain Line

Hot Water Supply Line

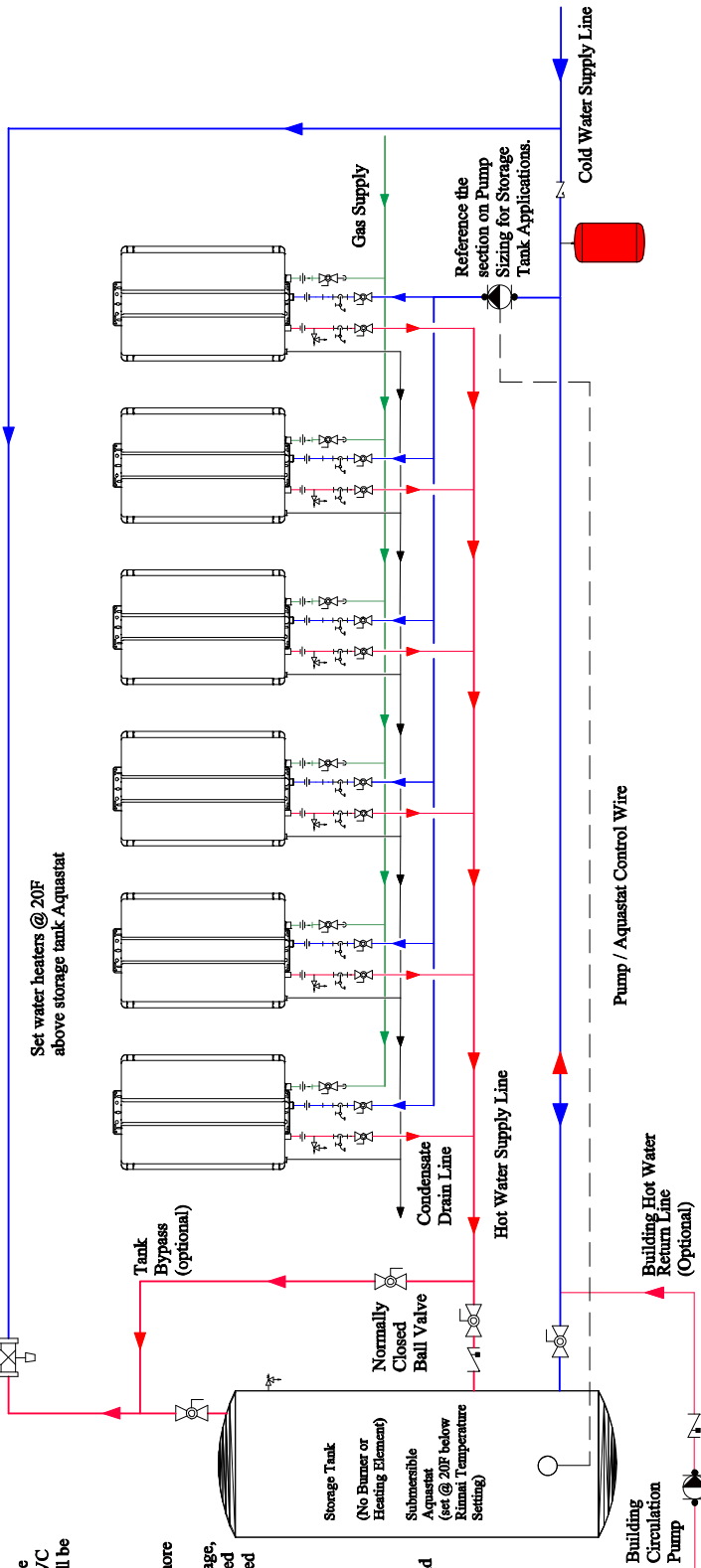
Pump / Aquastat Control Wire

Building Hot Water Return Line (Optional)

Building Circulation Pump

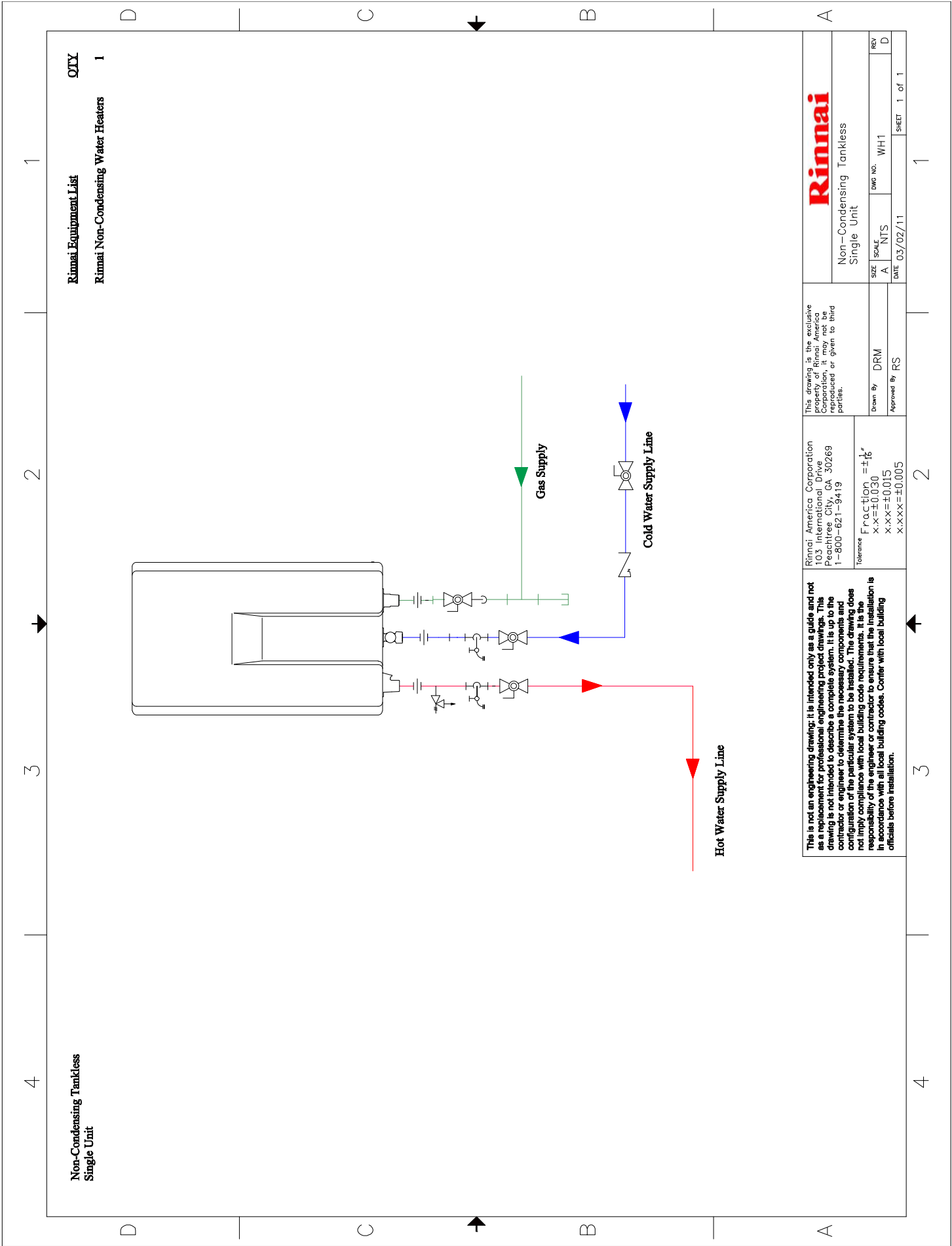
Cold Water Supply Line

Reference the section on Pump Sizing for Storage Tank Applications.



This is not an engineering drawing; it is intended only as a guide and not as a replacement for professional engineering project drawings. This drawing is not intended to describe a complete system. It is up to the contractor or engineer to determine the necessary components and configuration of the particular system to be installed. The drawing does not imply compliance with local building code requirements. It is the responsibility of the engineer or contractor to ensure that the installation is in accordance with all local building codes. Confer with local building officials before installation.

Rinnai America Corporation 103 International Drive Peachtree City, GA 30269 1-800-621-9419		This drawing is the exclusive property of Rinnai America Corporation. It may not be reproduced or given to third parties.	
Drawn By	DRM	Scale	AS IS
Approved By	RS	DWG No.	CWH6-BC
Rinnai Condensing Tankless Six Units with Backup Storage		DATE	03/02/11
Tolerance Fraction = 1/16" X.XX=±0.030 X.XXX=±0.015 X.XXXX=±0.005		REV	D
		SHEET	1 of 1



Rinnai Equipment List
Rinnai Non-Condensing Water Heaters 1

Non-Condensing Tankless Single Unit

This is not an engineering drawing; it is intended only as a guide and not as a replacement for professional engineering project drawings. This drawing is not intended to describe a complete system. It is up to the contractor or engineer to determine the necessary components and configuration of the particular system to be installed. The drawing does not imply compliance with local building code requirements. It is the responsibility of the engineer or contractor to ensure that the installation is in accordance with all local building codes. Confer with local building officials before installation.

Rinnai America Corporation
 103 International Drive
 Peachtree City, GA 30289
 1-800-621-9419

Rinnai
 Non-Condensing Tankless Single Unit

Drawn By: DRM
 Approved By: RS

SIZE: A
 SCALE: NTS
 DWG NO.: WH1
 REV: D

Tolerance: Fraction = 1/16"
 X.XX=±0.030
 X.XXX=±0.015
 X.XXXX=±0.005

DATE: 03/02/11
 SHEET: 1 of 1

4 3 2 1

Non-Condensing Tankless
Two Units

Rinnai Equipment List

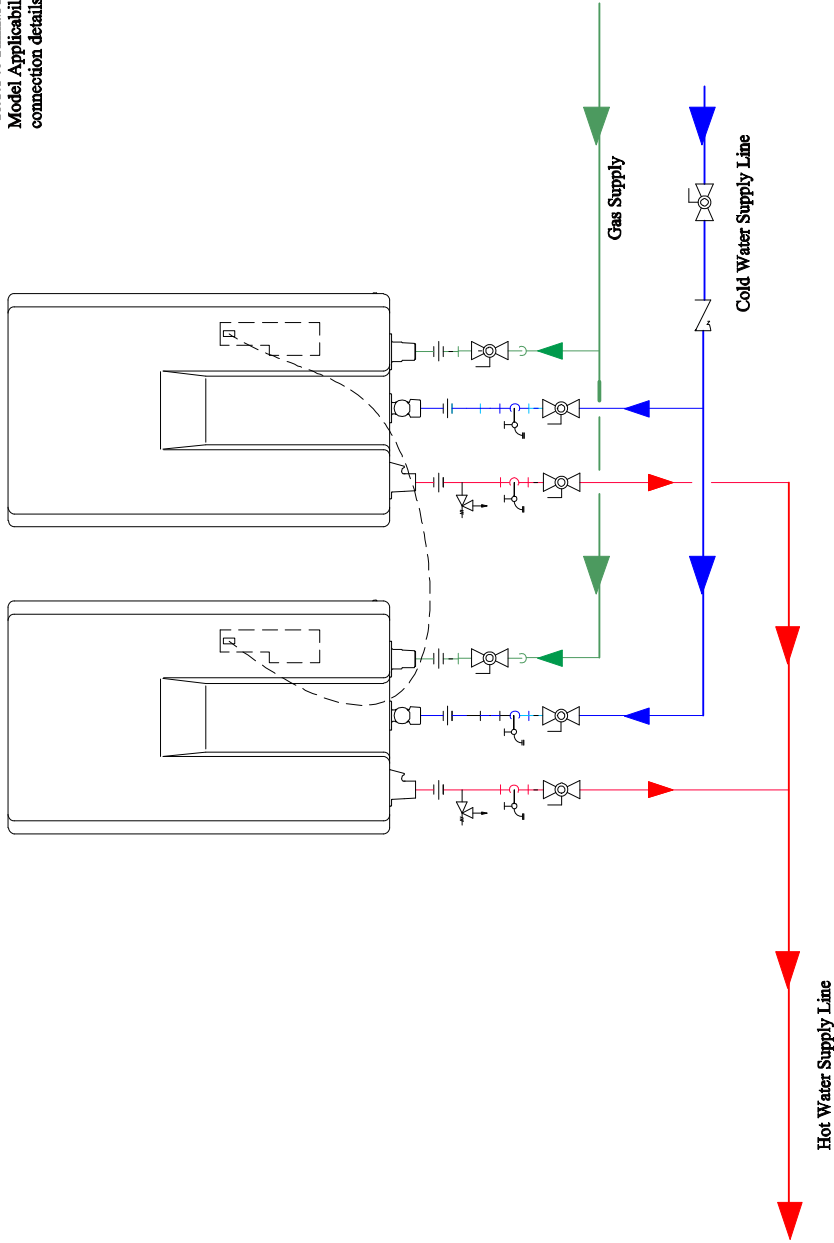
Rinnai Non-Condensing Water Heaters

Electronic Connection*

QTY

2

*Refer to Rinnai Accessories and Model Applicability for electronic connection details



This is not an engineering drawing; it is intended only as a guide and not as a replacement for professional engineering project drawings. This drawing is not intended to describe a complete system. It is up to the contractor or engineer to determine the necessary components and configurations for a complete system. This drawing is intended to be used in conjunction with local building codes requirements. It is the responsibility of the engineer or contractor to ensure that the installation is in accordance with all local building codes. Confer with local building officials before installation.

Rinnai America Corporation
103 Peachtree City, GA 30269
1-800-621-9419

Tolerance
Fraction $\pm \frac{1}{16}$ "
X-X ± 0.030
X-XX ± 0.015
X-XXX ± 0.005

This drawing is the exclusive property of Rinnai America Corporation, it may not be reproduced or given to third parties.

Drawn By DRM

Approved By RS

Rinnai
Non-Condensing Tankless
Two Units

SIZE SCALE
A NTS
DATE 03/02/11

ENG. NO. WHZ
REV D

SHEET 1 of 1

4 3 2 1

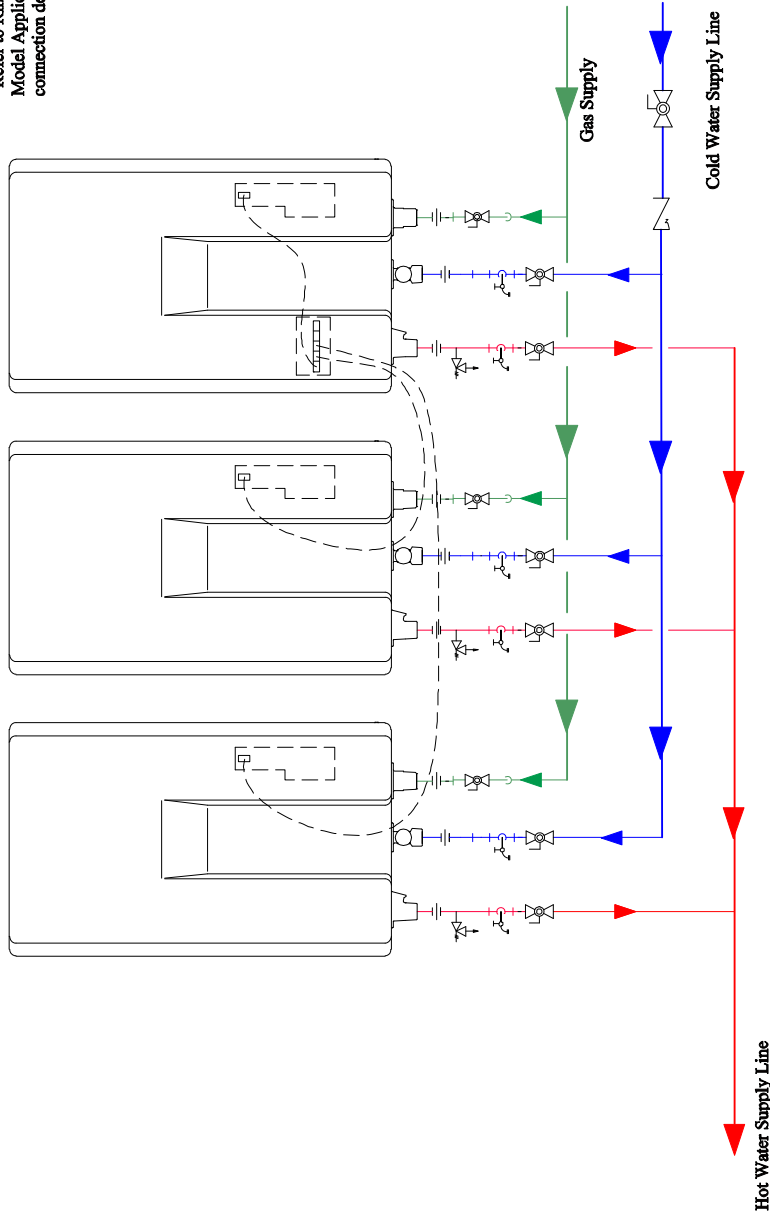
1 2 3 4

Rinnai Equipment List
Rinnai Non-Condensing Water Heaters 3

Electronic Connection*

*Refer to Rinnai Accessories and Model Applicability for electronic connection details

Non-Condensing Tankless Three Units



This is not an engineering drawing; it is intended only as a guide and not as a replacement for professional engineering project drawings. This drawing is not intended to describe a complete system. It is up to the contractor or engineer to determine the necessary components and configuration of the particular system to be installed. The drawing does not imply compliance with local building code requirements. It is the responsibility of the engineer or contractor to ensure that the installation is in accordance with all local building codes. Confer with local officials before installation.

Rinnai America Corporation
103 International Drive
Peachtree City, GA 30269
1-800-621-9419

This drawing is the exclusive property of Rinnai America Corporation. It may not be reproduced or given to third parties.

Drawn By: DRM
Approved By: IRS
Scale: A NTS
Date: 03/02/11
DWG No.: WH3
REV: D
SHEET 1 of 1

Rinnai
Non-Condensing Tankless Three Units

1 2 3 4

Non-Condensing Tankless
Six Units

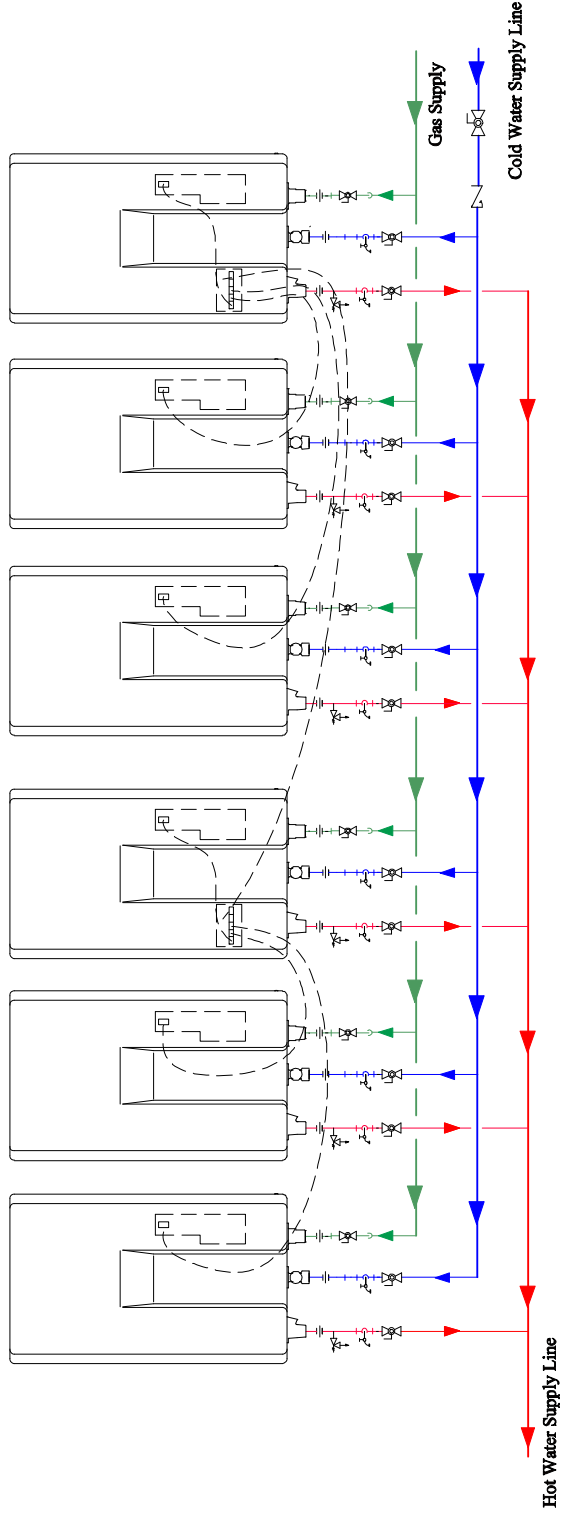
Rinnai Equipment List

Rinnai Non-Condensing Water Heaters

QTY 6

Electronic Connection*

*Refer to Rinnai Accessories and Model Applicability for electronic connection details



This is not an engineering drawing; it is intended only as a guide and not as a replacement for professional engineering project drawings. This drawing is not intended to describe a complete system. It is up to the contractor or engineer to determine the necessary components and configuration of the particular system to be installed. The drawing does not imply compliance with local building code requirements. It is the responsibility of the engineer or contractor to ensure that the installation is in accordance with all local building codes. Confer with local building officials before installation.

Rinnai America Corporation
103 International Drive
Peachtree City, GA 30269
1-800-621-9419

Tolerance
Frac: 1/16" = ±1/16"
X.XX ±0.030
X.XXX ±0.0015
X.XXXX ±0.0005

This drawing is the exclusive property of Rinnai America Corporation. It may not be reproduced or given to third parties.

Drawn By: DRM
Approved By: IRS

Rinnai
Non-Condensing Tankless
Six Units

SIZE: A
SCALE: NTS
DATE: 03/02/11
DWG NO.: WH6
REV: D
SHEET: 1 of 1

Non-Condensing Tankless Single Unit Freeze Protection

Rinnai Equipment List

QTY

1

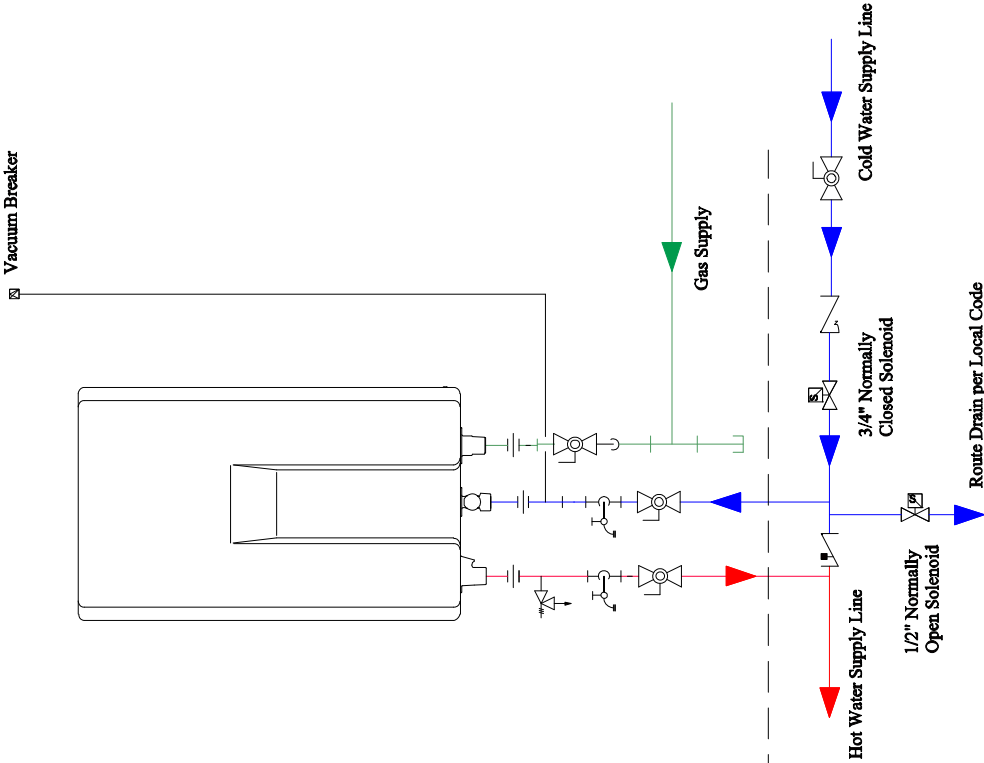
Rinnai Non-Condensing Water Heaters

Notice:

Warranty does not cover damage due to freezing. The unit may be drained manually. However, Rinnai highly recommends that drain down solenoid valves be installed that will automatically drain the unit if power is lost. Rinnai also recommends the installation of a surge protector with terminals that attaches to the PC board in the unit and allows the solenoid valves to operate if the unit is disabled due to an error code. When the electrical power to the water heater fails, the 3/4" solenoid valve closes (stopping the flow of water into the heater) and the 1/2" solenoid valve opens (allowing the water heater and associated piping to drain. Ensure that you run the drain for the solenoids to the outside environment to prevent discharging water inside the building causing water damage.

NOTE:
Heat trace ALL water pipe and fittings located outside home (stitch, crawl space) or building structure. (ALL water pipe and fittings shown above the dashed line in the drawing.)

NOTE:
ALL pipe and fittings shown below dashed line should be located inside home or building structure. The vacuum breaker line should be located inside the building structure.



This is not an engineering drawing; it is intended only as a guide and not as a replacement for professional engineering project drawings. This drawing is not intended to describe a complete system. It is up to the contractor or engineer to determine the necessary components and configuration of the particular system to be installed. The drawing does not imply compliance with local building code requirements. It is the responsibility of the engineer or contractor to ensure that the installation is in accordance with all local building codes. Confer with local officials before installation.

Rinnai America Corporation
103 Interchange Drive
Peachtree City, GA 30269
1-800-621-9419

Tolerance
Frac: 1/16"
X.XX=±0.030
X.XXX=±0.0015
X.XXXX=±0.0005

This drawing is the exclusive property of Rinnai America Corporation. It is not to be reproduced or given to third parties.

Drawn By: DRM
Approved By: RS

Rinnai

Non-Condensing Tankless Single Unit Freeze Protection

SIZE: A
SCALE: NTS
DATE: 03/02/11
DWG NO.: WH1-D
REV: D
SHEET: 1 of 1

**Non-Condensing Tankless
Two Unit Freeze Protection**

Notice:

Warranty does not cover damage due to freezing. The unit may be drained manually. However, Rinnai highly recommends that drain down solenoid valves be installed that will automatically drain the unit if power is lost. Rinnai also recommends the installation of a surge protector with terminals that attaches to the PC board in the unit and allows the solenoid valves to operate if the unit is disabled due to an error code. When the electrical power to the water heater fails, the 3/4" solenoid valve closes (stopping the flow of water into the heater) and the 1/2" solenoid valve opens (allowing the water heater and associated piping to drain. Ensure that you run the drain for the solenoids to the outside environment to prevent discharging water inside the building causing water damage.

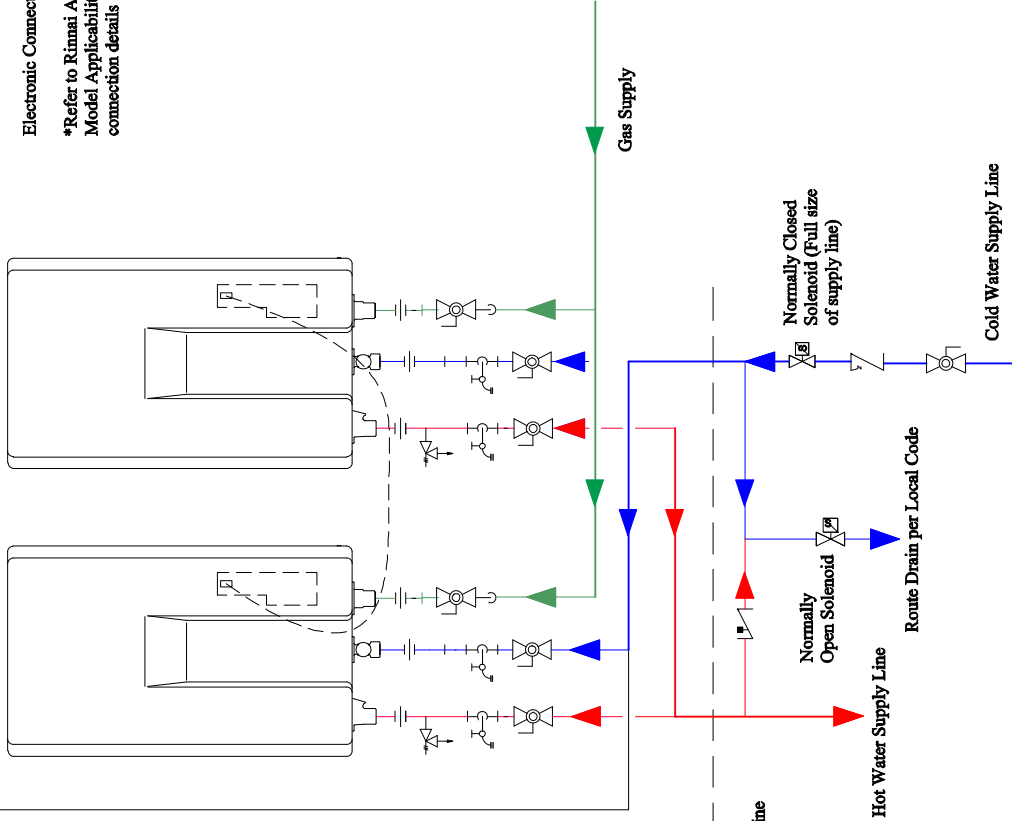
Vacuum Breaker

Rinnai Equipment List

Rinnai Non-Condensing Water Heaters 2

Electronic Connection*

*Refer to Rinnai Accessories and Model Applicability for electronic connection details



NOTE:
Heat trace ALL water pipe and fittings located outside home (attic, crawl space) or building structure. (ALL water pipe and fittings shown above the dashed line in the drawing.)

NOTE:
ALL pipe and fittings shown below dashed line should be located inside home or building structure. The vacuum breaker line should be located inside the building structure.

Route Drain per Local Code

This is not an engineering drawing; it is intended only as a guide and not as a replacement for professional engineering project drawings. This drawing is not intended to describe a complete system. It is up to the contractor or engineer to determine the necessary components and configuration of the particular system to be installed. The drawing does not imply compliance with local building code requirements. It is the responsibility of the engineer or contractor to ensure that the installation is in accordance with all local building codes. Confer with local officials before installation.

Rinnai America Corporation
103 International Drive
Peachtree City, GA 30269
1-800-621-9419
Tolerance Fraction = ±1/16"
X.XX±0.030
X.XXX±0.0015
X.XXXX±0.0005

This drawing is the exclusive property of Rinnai America Corporation. It may not be reproduced or given to third parties.
Drawn By: DRM
Approved By: IRS

		Non-Condensing Tankless Two Units Freeze Protection	
		SIZE: A SCALE: NTS	DWG NO.: WH2-D REV: D
DATE: 03/02/11		SHEET: 1 of 1	

4 3 2 1

**Non-Condensing Tankless
Three Unit Freeze Protection**

Vacuum Breaker

Rinnai Equipment List
Rinnai Non-Condensing Water Heaters 3
Electronic Connection*

Notice:

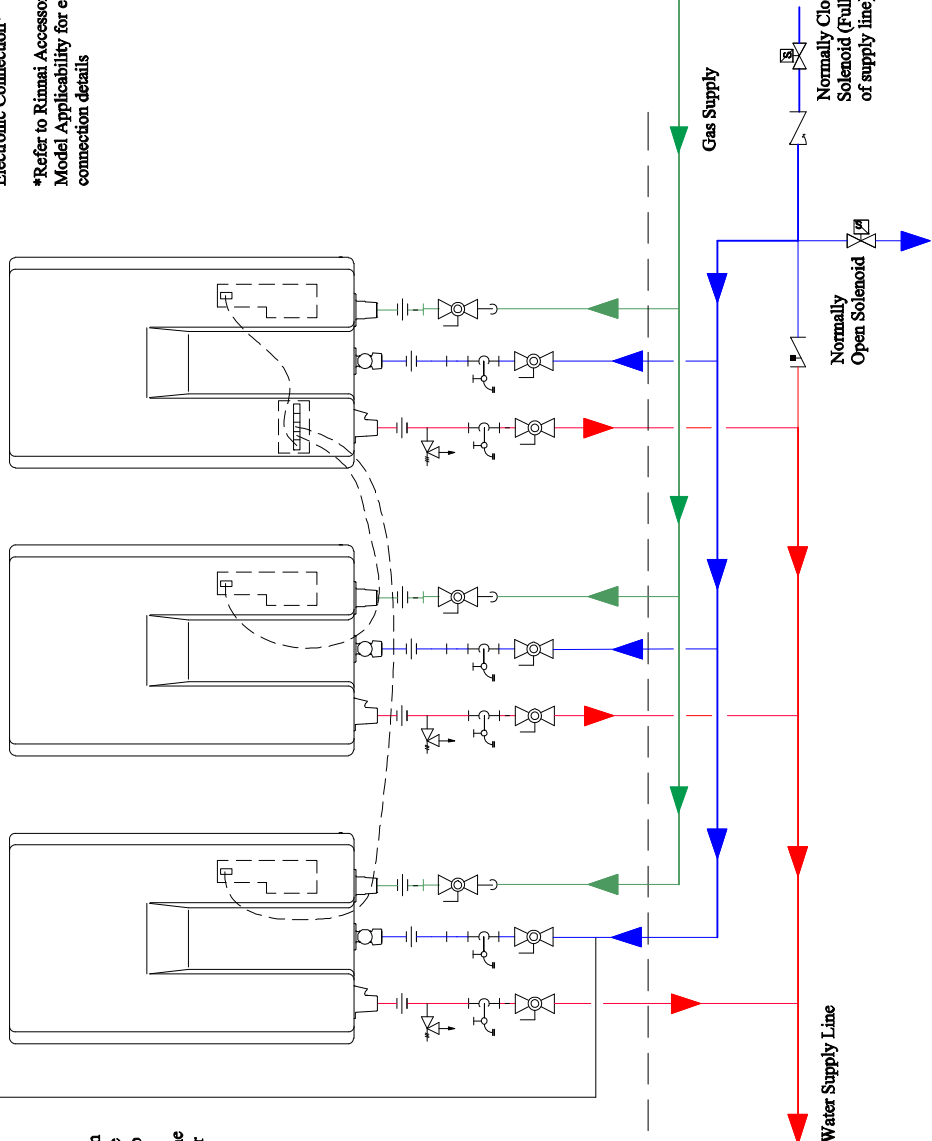
Warranty does not cover damage due to freezing. The unit may be drained manually. However, Rinnai highly recommends that drain down solenoid valves be installed that will automatically drain the unit if power is lost. Rinnai also recommends the installation of a surge protector with terminals that attaches to the PC board in the unit and allows the solenoid valves to operate if the unit is disabled due to an error code. When the electrical power to the water heater fails, the 3/4" solenoid valve closes (stopping the flow of water into the heater) and the 1/2" solenoid valve opens (allowing the water heater and associated piping to drain. Ensure that you run the drain for the solenoids to the outside environment to prevent discharging water inside the building causing water damage.

NOTE:

Heat trace ALL water pipe and fittings located outside home (attic, crawl space) or building structure. (ALL water pipe and fittings shown above the dashed line in the drawing.)

NOTE:

ALL pipe and fittings shown below dashed line should be located inside home or building structure. The vacuum breaker line should be located inside the building structure.



Route Drain per Local Code

This is not an engineering drawing; it is intended only as a guide and not as a replacement for professional engineering project drawings. This drawing is not intended to describe a complete system. It is up to the contractor or engineer to determine the necessary components and configuration of the particular system to be installed. The drawing does not imply compliance with local building code requirements. It is the responsibility of the engineer or contractor to ensure that the installation is in accordance with all local building codes. Confer with local officials before installation.

Rinnai America Corporation
103 International Drive
Peachtree City, GA 30269
1-800-621-9419

This drawing is the exclusive property of Rinnai America Corporation, it may not be reproduced or given to third parties.

Drawn By	DRM	Scale	A	INTS	Unit No.	WH3-D	REV	D
Approved By	RS	DATE	03/02/11	SHEET		1 of 1		

D C B A

4 3 2 1

**Non-Condensing Tankless
Six Unit Freeze Protection**

Rinnai Equipment List	QTY
Rinnai Non-Condensing Water Heaters	6

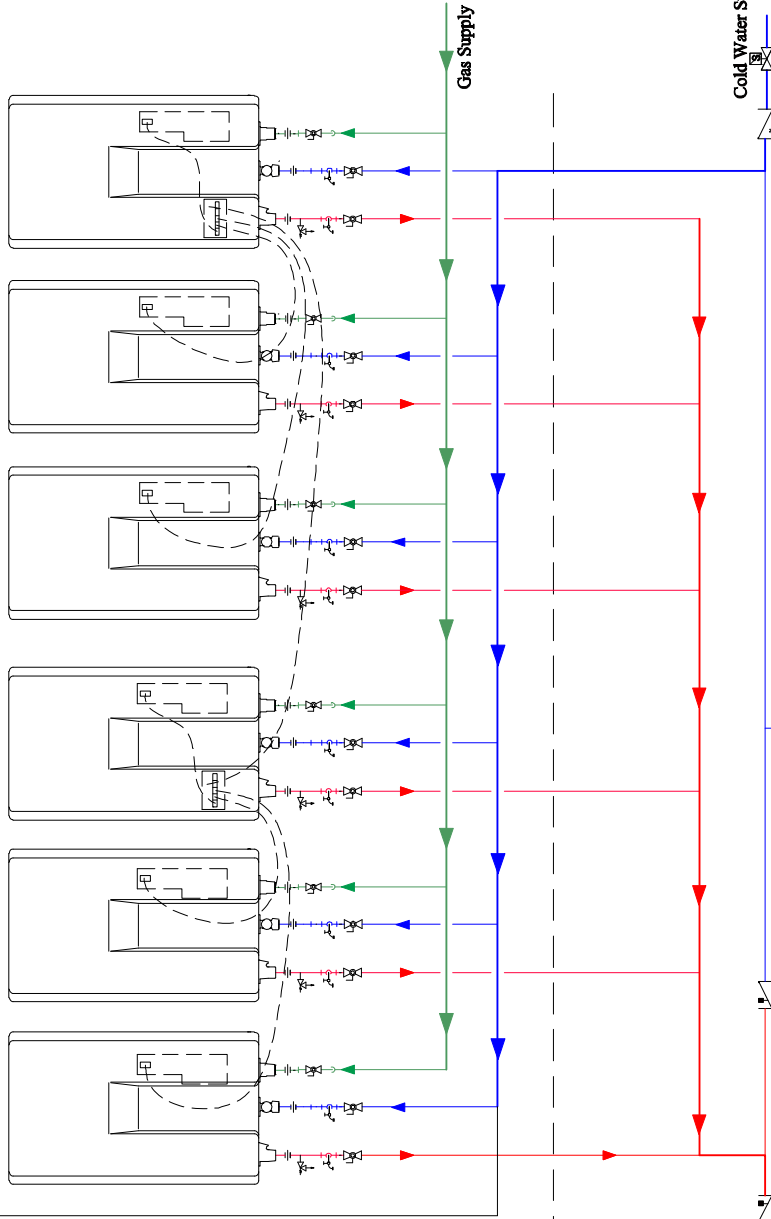
Notice:

Warranty does not cover damage due to freezing. The unit may be drained manually. However, Rinnai highly recommends that drain down solenoid valves be installed that will automatically drain the unit if power is lost. Rinnai also recommends the installation of a surge protector with terminals that attaches to the PC board in the unit and allows the solenoid valves to operate if the unit is disabled due to an error code. When the electrical power to the water heater fails, the 3/4" solenoid valve closes (stopping the flow of water into the heater) and the 1/2" solenoid valve opens (allowing the water heater and associated piping to drain. Ensure that you run the drain for the solenoids to the outside environment to prevent discharging water inside the building causing water damage.

Vacuum Breaker

Electronic Connection*

*Refer to Rinnai Accessories and Model Applicability for electronic connection details



NOTE:

Heat trace ALL water pipe and fittings located outside home (attic, crawl space) or building structure. (ALL water pipe and fittings shown above the dashed line in the drawing.)

NOTE:

ALL pipe and fittings shown below dashed line should be located inside home or building structure. The vacuum breaker line should be located inside the building structure.

Hot Water Supply Line

Normally Open Solenoid

Route Drain per Local Code

Cold Water Supply Line

Normally Closed Solenoid (Full size of supply line)

Hot Water Supply Line

Route Drain per Local Code

Normally Closed Solenoid (Full size of supply line)

This is not an engineering drawing; it is intended only as a guide and not as a replacement for professional engineering project drawings. This drawing is not intended to describe a complete system. It is up to the contractor or engineer to determine the necessary components and configuration of the particular system to be installed. The drawing does not imply compliance with local building code requirements. It is the responsibility of the engineer or contractor to ensure that the installation is in accordance with all local building codes. Confer with local officials before installation.

Rinnai America Corporation
103 International Drive
Peachtree City, GA 30269
1-800-621-9419

This drawing is the exclusive property of Rinnai America Corporation. It may be reproduced or given to third parties.

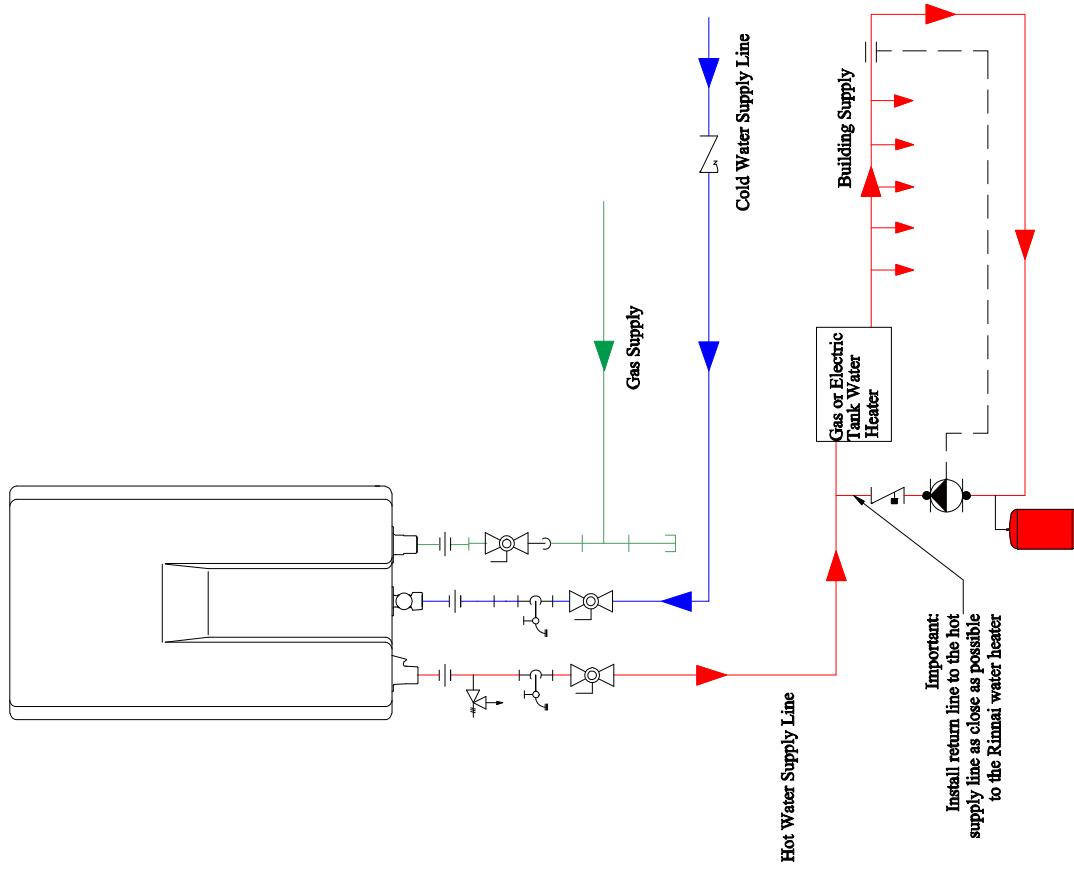
Drawn By: DRM	Scale: A	Size: NTS	DWG NO.: WH6-D	REV: D
Approved By: IRS	Date: 03/02/11	Sheet: 1 of 1		
Rinnai				
Non-Condensing Tankless Six Units Freeze Protection				

**Non-Condensing Tankless
Single Unit Preferred Recirculation**

For this application:

- Pump should be controlled by an Aquastat, Timer or Combination Aquastat and Timer.
- Pump should be sized to maintain circulation loop temperature.
- The pump should be sized to overcome the pressure loss through the tank water heater and supply and return plumbing in the circulation loop.
- Reference the section Pump Sizing for Circulation.
- Pump should be of bronze or stainless construction.

NOTE: Consult with the manufacturer of the tank water heater to confirm that it can be used for this application.



Important:
Install return line to the hot
supply line as close as possible
to the Rinnai water heater

Rinnai Equipment List	QTY
Rinnai Non-Condensing Water Heaters	1

This is not an engineering drawing; it is intended only as a guide and not as a replacement for professional engineering project drawings. This drawing is not intended to describe a complete system. It is up to the contractor or engineer to determine the necessary components and configuration of the particular system to be installed. The drawing does not imply compliance with local building code requirements. It is the responsibility of the engineer or contractor to ensure that the installation is in accordance with all local building codes. Confer with local building officials before installation.

Rinnai America Corporation
103 International Drive
Peachtree City, GA 30269
1-800-621-9419

Tolerance
X.XX=±0.030
X.XXX=±0.015
X.XXXX=±0.005

This drawing is the exclusive property of Rinnai America Corporation, it may not be reproduced or given to third parties.

Drawn By: DRM
Approved By: RS

Rinnai		Non-Condensing Tankless Single Unit Recirculation	
		SIZE: A	REV: D
SCALE: NTS	DWG NO.: WH1-RGE	DATE: 03/02/11	
SHEET: 1 of 1		DATE: 03/02/11	

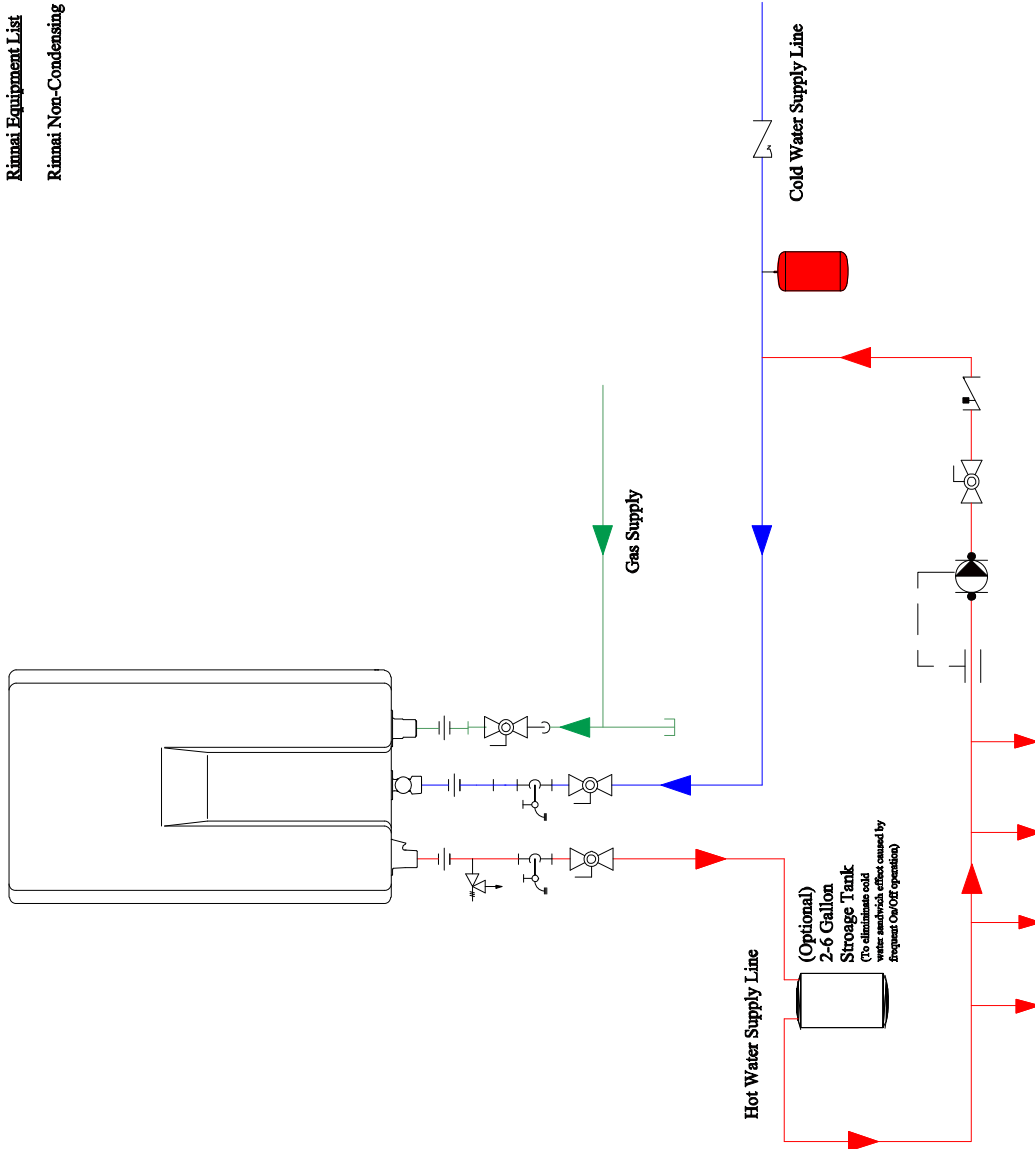
**Non-Condensing Tankless
Single Unit Optional Recirculation**

For this application:

Pump should be controlled by an Aquastat,
Timer or Combination Aquastat and Timer.
Pump should be sized to maintain circulation
loop temperature.
The pump should be sized to overcome the
pressure loss through the tankless water
heater and supply and return plumbing in
the circulation loop.
Reference the section Pump Sizing for
Circulation.
Pump should be of bronze or stainless
construction.
Reference warranty section of Installation
Manual for this configuration

Rinnai Equipment List

Item	QTY
Rinnai Non-Condensing Water Heaters	1



This is not an engineering drawing; it is intended only as a guide and not as a replacement for professional engineering project drawings. This drawing is not intended to describe a complete system. It is up to the contractor or engineer to determine the necessary components and configuration of the particular system to be installed. The drawing does not imply compliance with local building code requirements. It is the responsibility of the engineer or contractor to ensure that the installation is in accordance with all local building codes. Confer with local officials before installation.

Rinnai America Corporation
103 International Drive
Peachtree City, GA 30269
1-800-621-9419

This drawing is the exclusive property of Rinnai America Corporation. It may not be reproduced or given to third parties.	
Drawn By: DRM	Scale: A NTS
Approved By: IRS	DATE: 03/02/11
Project No.: WH1-R	REV: D
SHEET 1 of 1	

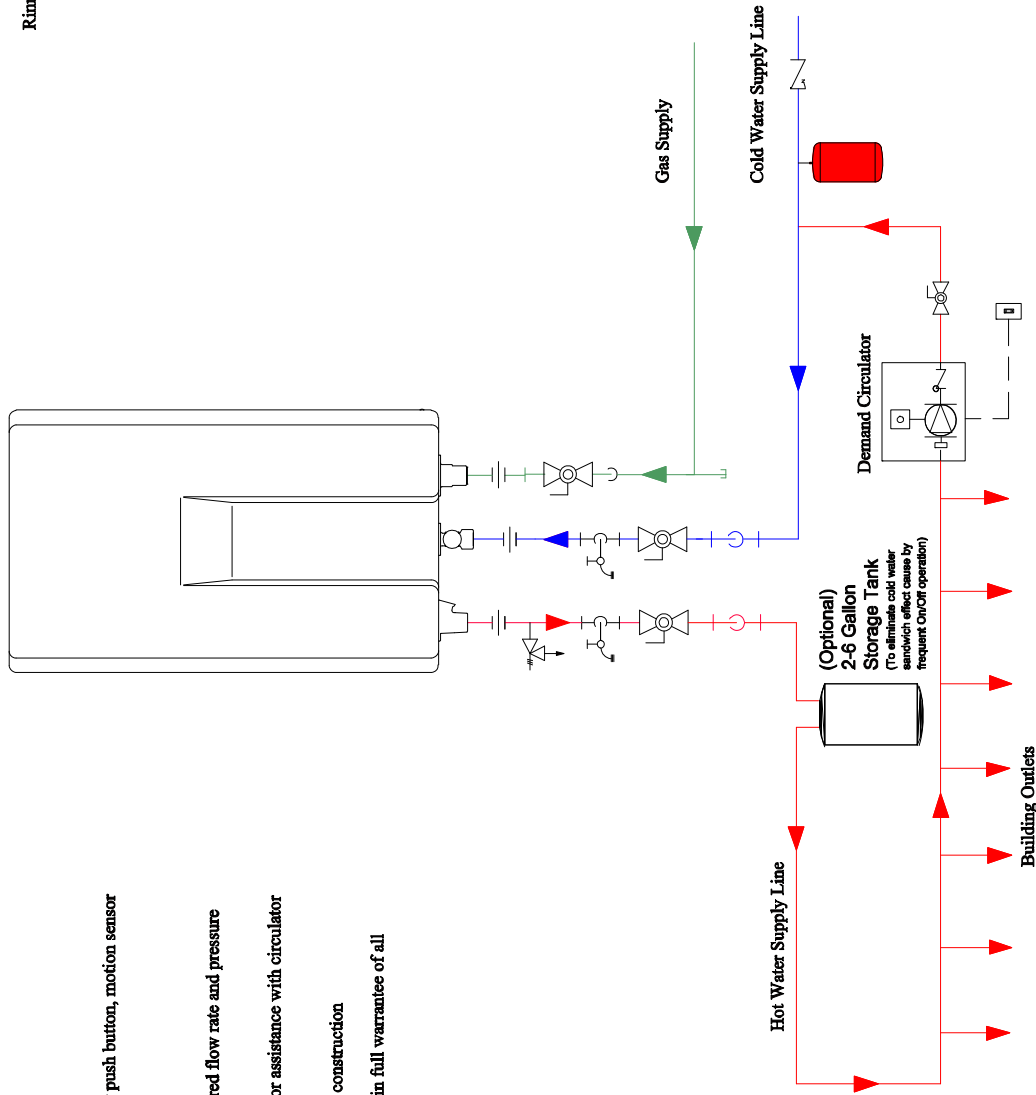
**Rinnai Tankless
Single Unit D'MAND Circulation Option**

For this application:

- Demand Circulator should be controlled by push button, motion sensor or door contacts.
- Demand Circulators should be designed specifically for tankless waters.
- Ensure Demand Circulator is sized for desired flow rate and pressure drop of circulation loop.
- Contact Demand Circulator manufacturer for assistance with circulator sizing.
- Pump should be of bronze or stainless steel construction
- The use of Demand Circulators will maintain full warranty of all Rinnai water heaters.

Rinnai Equipment List
Rinnai Tankless Water Heaters

QTY
1



This is not an engineering drawing; it is intended only as a guide and not as a replacement for professional engineering project drawings. This drawing is not intended to describe a complete system. It is up to the contractor or engineer to determine the necessary components and configuration of the particular system to be installed. The drawing does not imply compliance with local building code requirements. It is the responsibility of the engineer or contractor to ensure that the installation is in accordance with all local building codes. Confer with local officials before installation.

Rinnai America Corporation
103 International Drive
Peachtree City, GA 30269
1-800-621-9419

Tolerance
Frac: 1/16" ±
X.X ±0.030
X.XX ±0.015
X.XXX ±0.005

This drawing is the exclusive property of Rinnai America Corporation. It may not be reproduced or given to third parties.

Drawn By: DRM
Approved By: IRS

Rinnai
Rinnai Tankless
Single Unit D'MAND Circulation Option

SIZE: A
SCALE: NTS
DATE: 03/02/11
DWG NO.: WH1-CD-0
REV: D
SHEET: 1 of 1

**Rinnai Tankless
Single Unit DMAND Circulation**

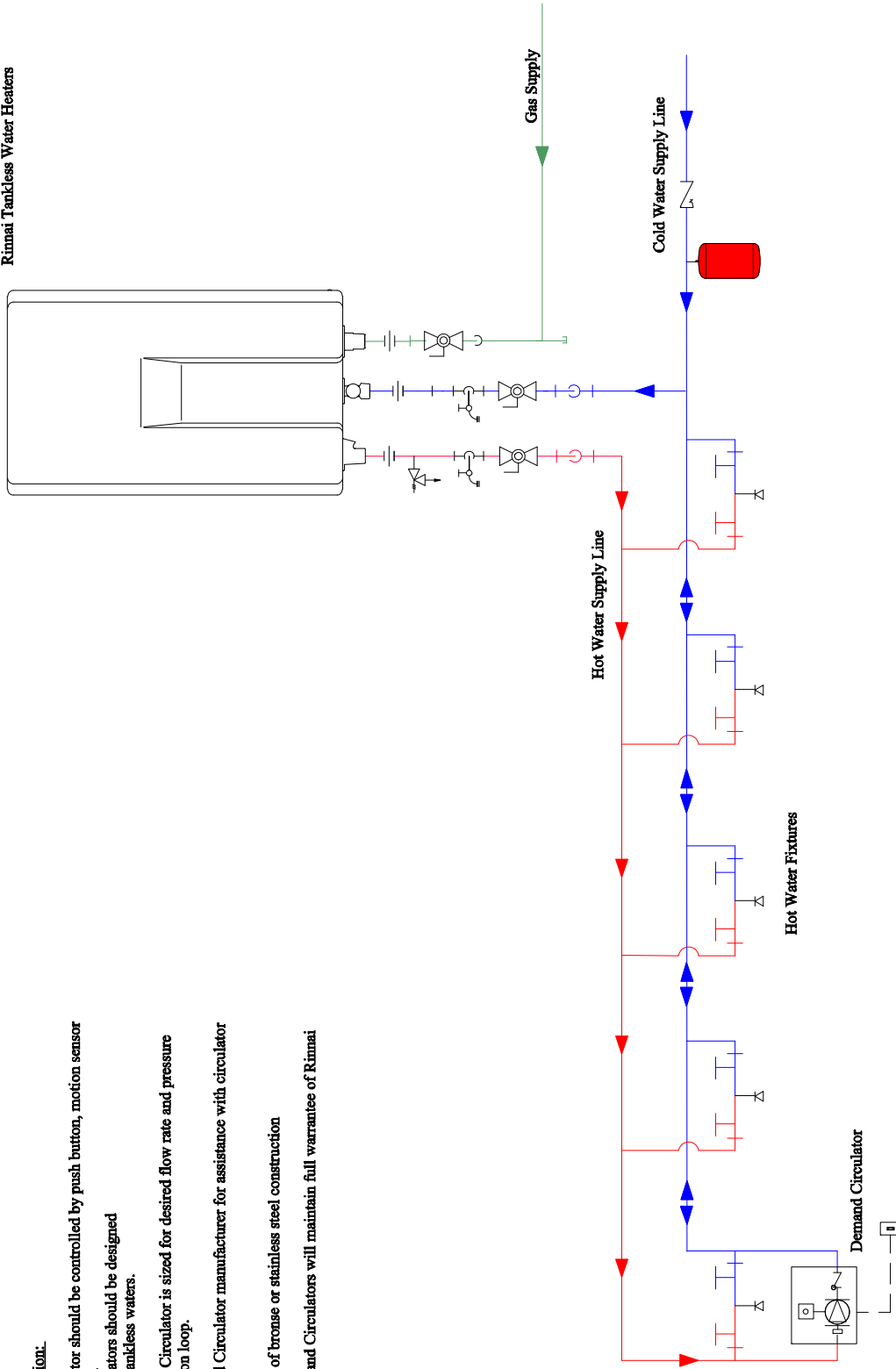
Rinnai Equipment List

Rinnai Tankless Water Heaters

QTY
1

For this application:

- Demand Circulator should be controlled by push button, motion sensor or door contacts.
- Demand Circulators should be designed specifically for tankless waters.
- Ensure Demand Circulator is sized for desired flow rate and pressure drop of circulation loop.
- Contact Demand Circulator manufacturer for assistance with circulator sizing.
- Pump should be of bronze or stainless steel construction
- The use of Demand Circulators will maintain full warranty of Rinnai water heaters.



This is not an engineering drawing; it is intended only as a guide and not as a replacement for professional engineering project drawings. This drawing is not intended to describe a complete system. It is up to the contractor or engineer to determine the necessary components and configuration of the particular system to be installed. The drawing does not imply compliance with local building code requirements. It is the responsibility of the engineer or contractor to ensure that the installation is in accordance with all local building codes. Confer with local officials before installation.

Rinnai America Corporation
103 International Drive
Peachtree City, GA 30269
1-800-621-9419
Tolerance Fraction = $\pm \frac{1}{16}$
X.XX=±0.0030
X.XXX=±0.0015
X.XXXX=±0.0005

This drawing is the exclusive property of Rinnai America Corporation, it may not be reproduced or given to third parties.
Drawn By: DRM
Approved By: RS

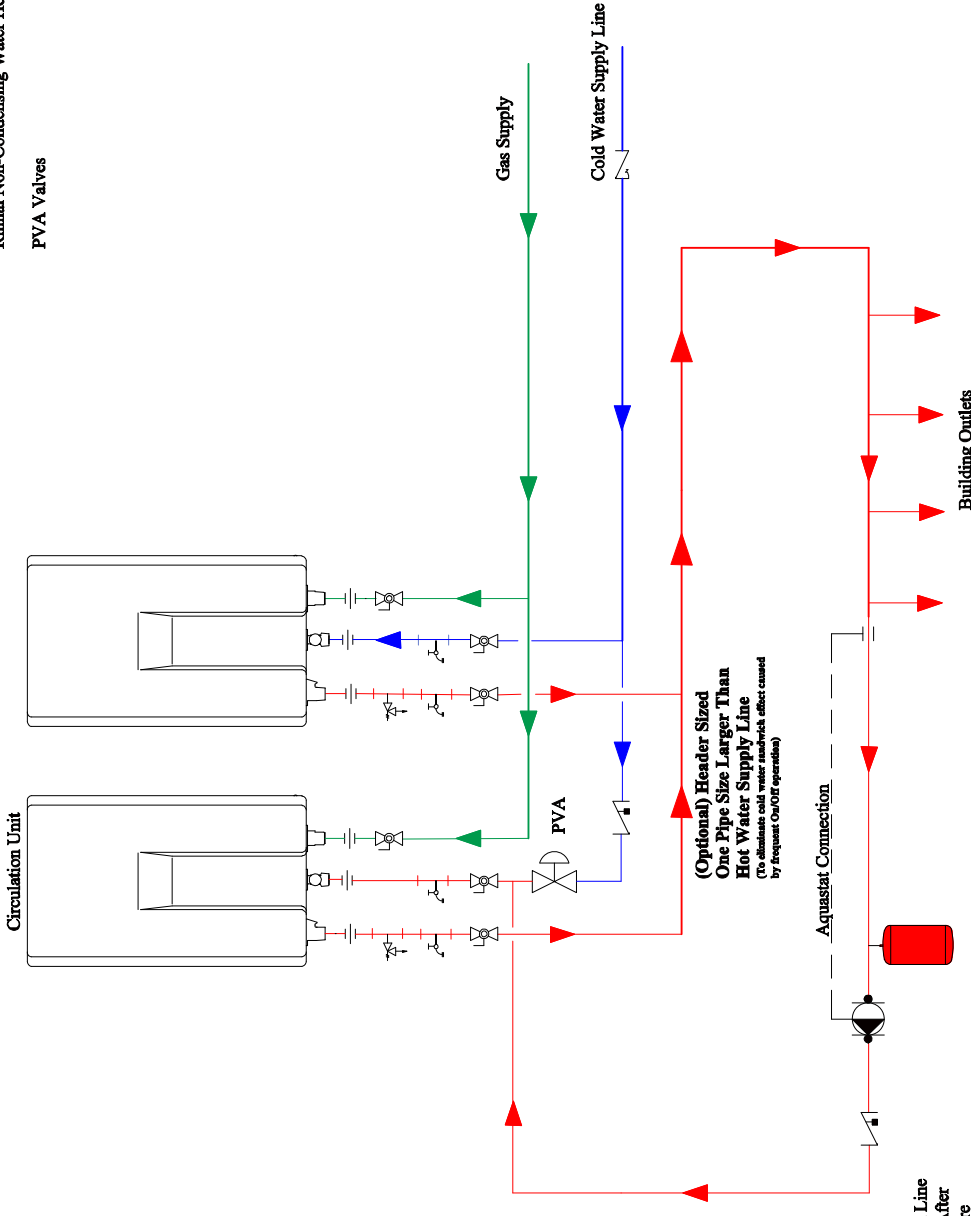
Rinnai
Rinnai Tankless
Single Unit DMAND Circulation
SIZE: A
SCALE: NTS
DWG NO.: WH1-CD
REV: D
DATE: 03/02/11
SHEET: 1 of 1

**Non-Condensing Tankless
Two Units Circulation**

For this application:

Pump should be controlled by an Aquastat, Timer or Combination Aquastat and Timer.
 Pump should be sized to maintain circulation loop temperature.
 The pump should be sized to overcome the pressure loss through the tankless water heater and supply and return plumbing in the circulation loop.
 Reference the section Pump Sizing for Circulation.
 Pump should be of bronze or stainless construction.
 PVA to remain at factory default setting
 Circulation unit should not be connected electronically to manifold electronic controllers.

Rinnai Equipment List	QTY
Rinnai Non-Condensing Water Heaters	2
PVA Valves	1



**(Optional) Header Sized
One Pipe Size Larger Than
Hot Water Supply Line**
(To eliminate cold water flashback effect caused
by frequent On/Off operation)

**Smaller Return Line
Can Be Used After
The Last Fixture**

This is not an engineering drawing; it is intended only as a guide and not as a replacement for professional engineering project drawings. The drawing is not intended to describe a complete system. It is up to the contractor or engineer to determine the necessary components and configuration of the particular system to be installed. The drawing does not imply compliance with local building code requirements. It is the responsibility of the engineer or contractor to ensure that the installation is in accordance with all local building codes. Confer with local building officials before installation.

Rinnai America Corporation
 103 International Drive
 Peachtree City, GA 30269
 1-800-621-9419

Tolerance
 Fraction = ±1/16"
 X.XX=±0.030
 X.XXX=±0.015
 X.XXXX=±0.005

This drawing is the exclusive property of Rinnai America Corporation. It is not to be reproduced or given to third parties.

Drawn By: DRM
 Approved By: RS

Rinnai

Non-Condensing Tankless
 Two Units Circulation

SIZE	SCALE	DWG. NO.	REV
A	NTS	WH2-CP	D

DATE: 03/02/11 SHEET: 1 of 1

**Non-Condensing Tankless
Three Units Circulation**

For this application:

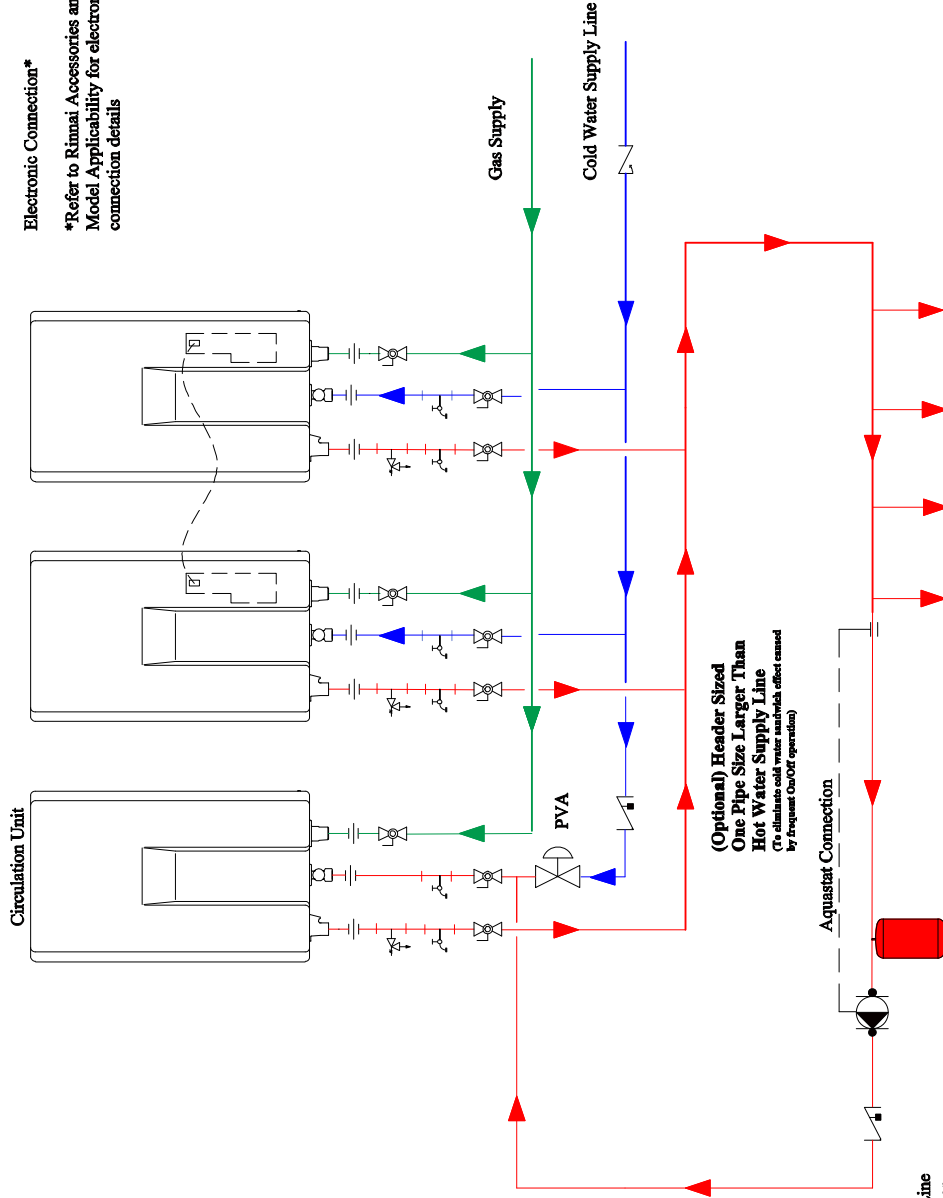
- Pump should be controlled by an Aquastat, Timer or Combination Aquastat and Timer.
- Pump should be sized to maintain circulation loop temperature.
- The pump should be sized to overcome the pressure loss through the tankless water heater and supply and return plumbing in the circulation loop.
- Reference the section Pump Sizing for Circulation.
- Pump should be of bronze or stainless construction.
- PVA to remain at factory default setting
- Circulation unit should not be connected electronically to manifold electronic controllers.

Rinnai Equipment List

Rinnai Equipment List	QTY
Rinnai Non-Condensing Water Heaters	3
PVA Valves	1

Electronic Connection*

*Refer to Rinnai Accessories and Model Applicability for electronic connection details



**(Optional) Header Sized
One Pipe Size Larger Than
Hot Water Supply Line**
(To eliminate cold water materials effect caused
by frequent On/Off operation)

**Smaller Return Line
Can Be Used After
The Last Fixture**

This is not an engineering drawing; it is intended only as a guide and not as a replacement for professional engineering project drawings. This drawing is not intended to describe a complete system. It is up to the contractor or engineer to determine the necessary components and configuration of the particular system to be installed. The drawing does not imply compliance with local building code requirements. It is the responsibility of the engineer or contractor to ensure that the installation is in accordance with all local building codes. Confer with local building officials before installation.

Rinnai America Corporation
103 International Drive
Peachtree City, GA 30269
1-800-621-9419

Tolerance
Fraction = $\pm 1/16"$
X.XX = ± 0.030
X.XXX = ± 0.015
X.XXXX = ± 0.005

This drawing is the exclusive
Property of Rinnai America
reproduced or given to third
parties.

Drawn By: DRM
Approved By: RS

Rinnai
Non-Condensing Tankless
Three Units Circulation

SIZE: A
SCALE: NTS
DATE: 03/02/11
DWG NO.: WH3-CP
REV: D
SHEET: 1 of 1

1 2 3 4

Non-Condensing Tankless
Six Units Circulation

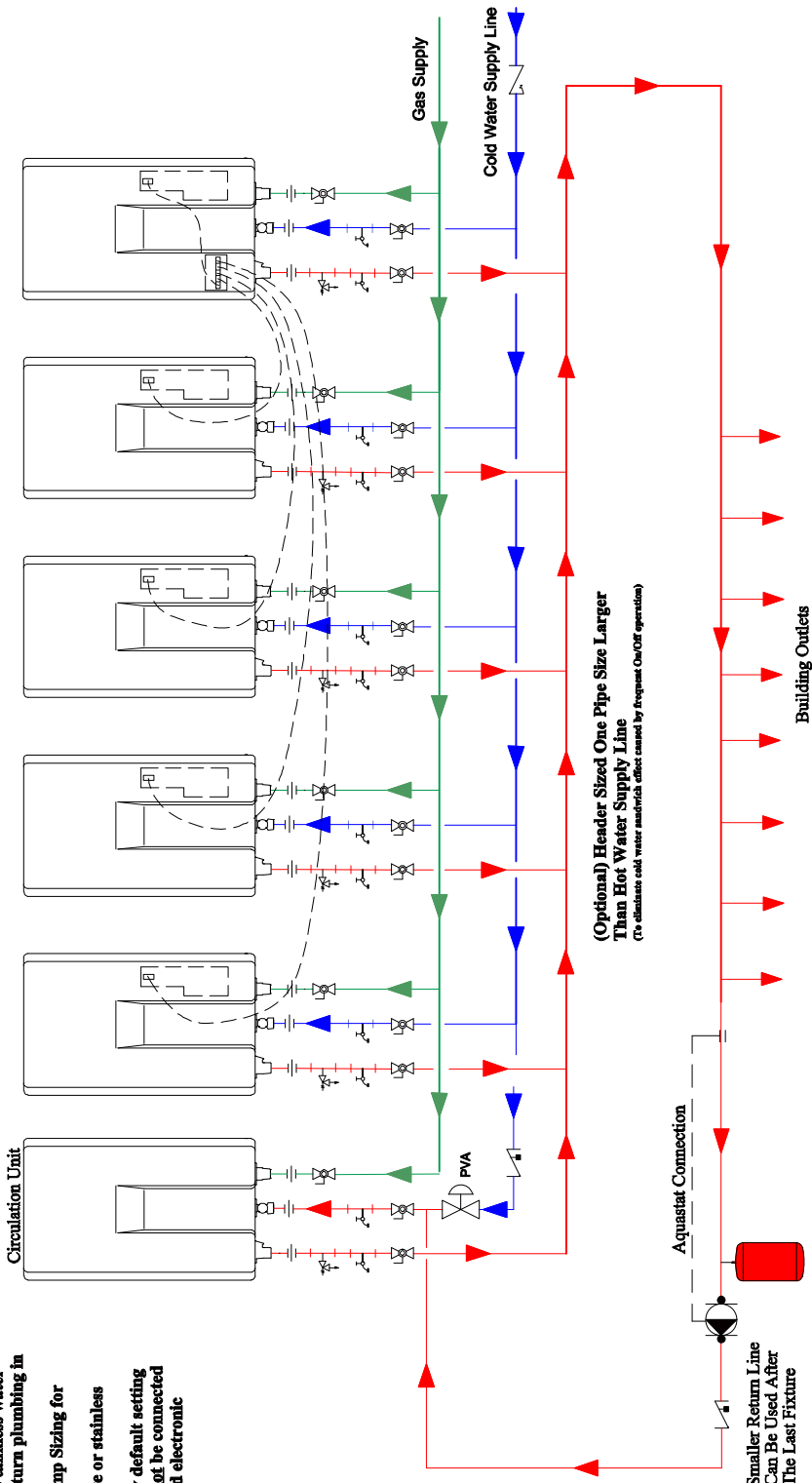
Rinnai Equipment List
Rinnai Non-Condensing Water Heaters 6
PVA Valves 1

For this application:

- Pump should be controlled by an Aquastat, Timer or Combination Aquastat and Timer.**
- Pump should be sized to maintain circulation loop temperature.**
- The pump should be sized to overcome the pressure loss through the tankless water heater and supply and return plumbing in the circulation loop.**
- Reference the section Pump Sizing for Circulation.**
- Pump should be of bronze or stainless construction.**
- PVA to remain at factory default setting**
- Circulation unit should not be connected electronically to manifold electronic controllers.**

Electronic Connection*

*Refer to Rinnai Accessories and Model Applicability for electronic connection details



This is not an engineering drawing; it is intended only as a guide and not as a replacement for professional engineering project drawings. This drawing is not intended to describe a complete system. It is up to the contractor or engineer to determine the necessary components and configuration of the particular system to be installed. The drawing does not imply compliance with local building code requirements. It is the responsibility of the engineer or contractor to ensure that the installation is in accordance with all local building codes. Confer with local building officials before installation.

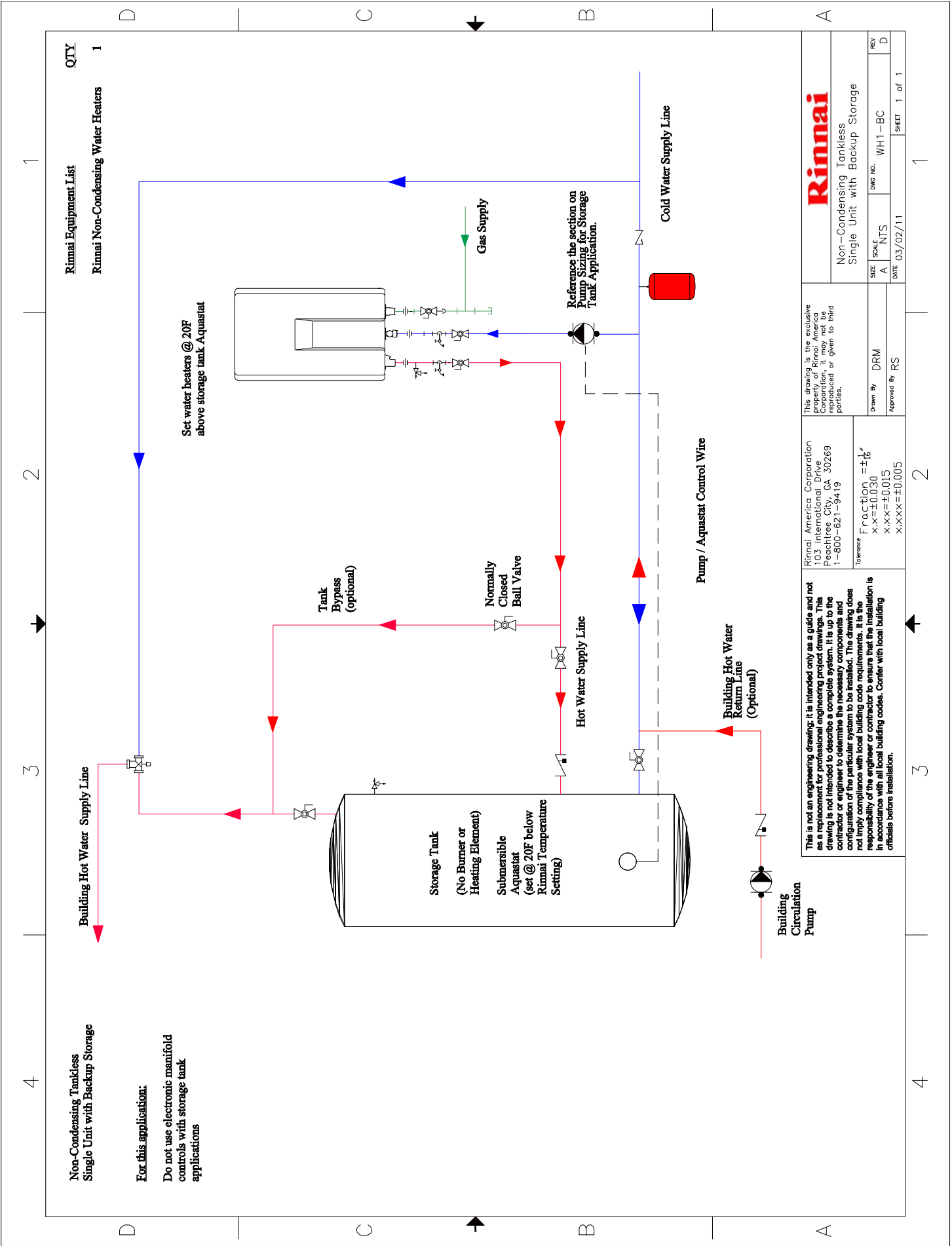
Rinnai America Corporation
103 International Drive
Peachtree City, GA 30289
1-800-621-9419

This drawing is the exclusive property of Rinnai America Corporation. It may not be reproduced or given to third parties.

Drawn By	DRM	Scale	AS	Sheet No.	WH6-CP	REV	D
Approved By	RS	Size	A	Units	Six		
		Tolerance		DATE		SHEET	
		Fraction = ±1/16"		03/02/11		1 of 1	
		X-XX=±0.030					
		X-XXX=±0.015					
		X-XXXX=±0.005					

Rinnai

Non-Condensing Tankless
Six Units Circulation



Rinnai Equipment List

QTY	1
Rinnai Non-Condensing Water Heaters	1

Non-Condensing Tankless Single Unit with Backup Storage

For this application:
Do not use electronic manifold controls with storage tank applications

This is not an engineering drawing; it is intended only as a guide and not as a replacement for professional engineering project drawings. This drawing is not intended to describe a complete system. It is up to the contractor or engineer to determine the necessary components and configuration of the particular system to be installed. The drawing does not imply compliance with local building code requirements. It is the responsibility of the engineer or contractor to ensure that the installation is in accordance with all local building codes. Confer with local officials before installation.

Rinnai America Corporation
103 International Drive
Peachtree City, GA 30269
1-800-621-9419

This drawing is the exclusive property of Rinnai America Corporation. It may not be reproduced or given to third parties.

Drawn By: DRM
Approved By: RS

Scale: NTS
Date: 03/02/11

Project: Non-Condensing Tankless Single Unit with Backup Storage
DWG No.: WH1-BC
REV: D

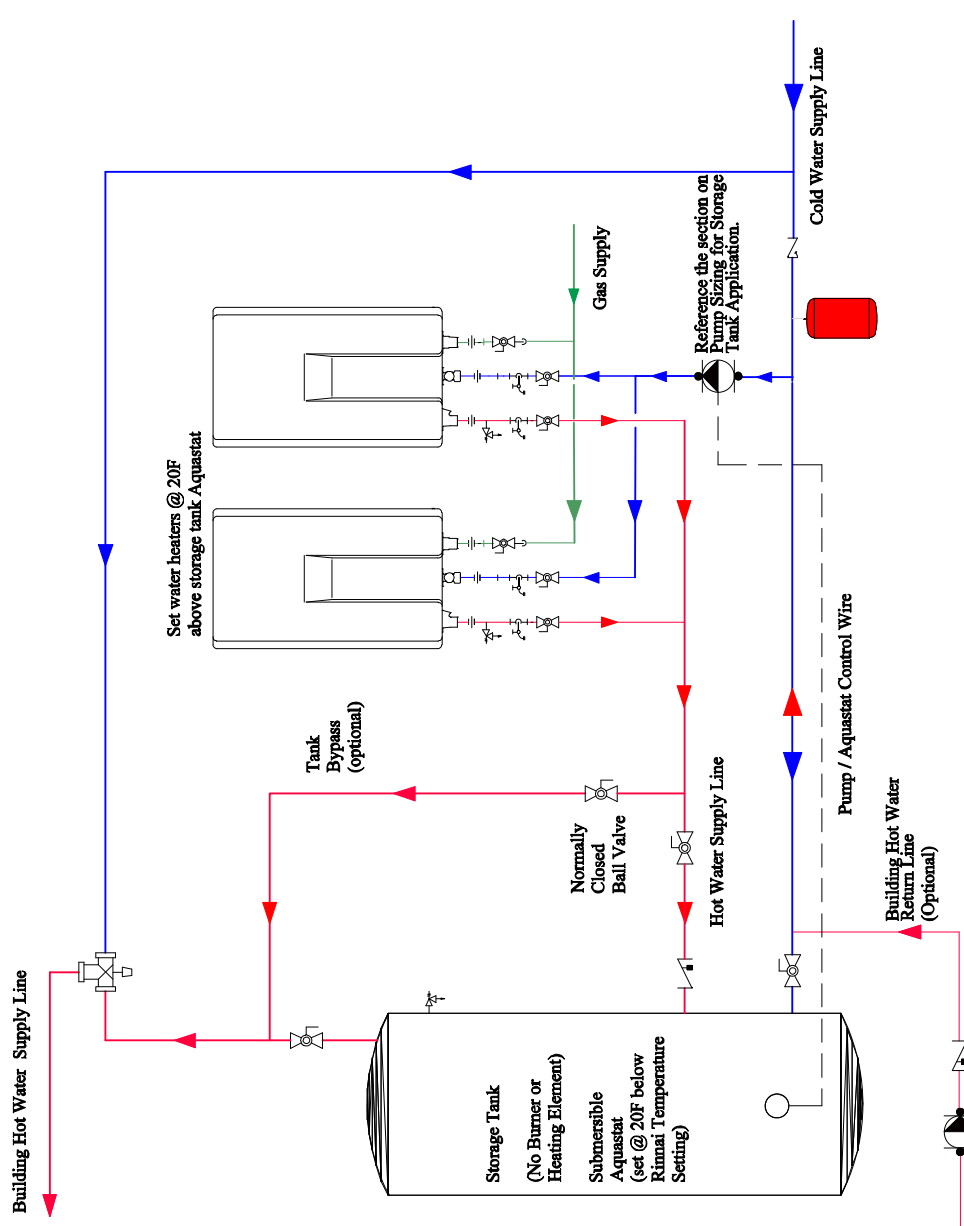
Tolerance: Fraction = 1/16
X.XX ± 0.030
X.XXX ± 0.005

1 2 3 4

Rinnai Equipment List
Rinnai Non-Condensing Water Heaters **QTY**
 2

**Non-Condensing Tankless
 Two Units with Backup Storage**

For this application:
 Do not use manifold electronic
 controls with storage tank
 applications



This is not an engineering drawing; it is intended only as a guide and not as a replacement for professional engineering project drawings. This drawing is not intended to describe a complete system. It is up to the contractor or engineer to determine the necessary components and configuration of the particular system to be installed. The drawing does not imply compliance with local building code requirements. It is the responsibility of the engineer or contractor to ensure that the installation is in accordance with all local building codes. Confer with local officials before installation.

Rinnai America Corporation
 103 International Drive
 Peachtree City, GA 30269
 1-800-621-9419

Tolerance
 Fraction = ±1/8"
 X.XX ±0.030
 X.XXX ±0.015
 X.XXXX ±0.005

This drawing is the exclusive property of Rinnai America Corporation. It may not be reproduced or given to third parties.

Drawn By: DRM
 Approved By: IRS

Rinnai
 Non-Condensing Tankless
 Two Units with Backup Storage

SIZE: A
 SCALE: NTS
 DWG NO.: WH2-BC
 DATE: 03/02/11
 REV: D
 SHEET: 1 of 1

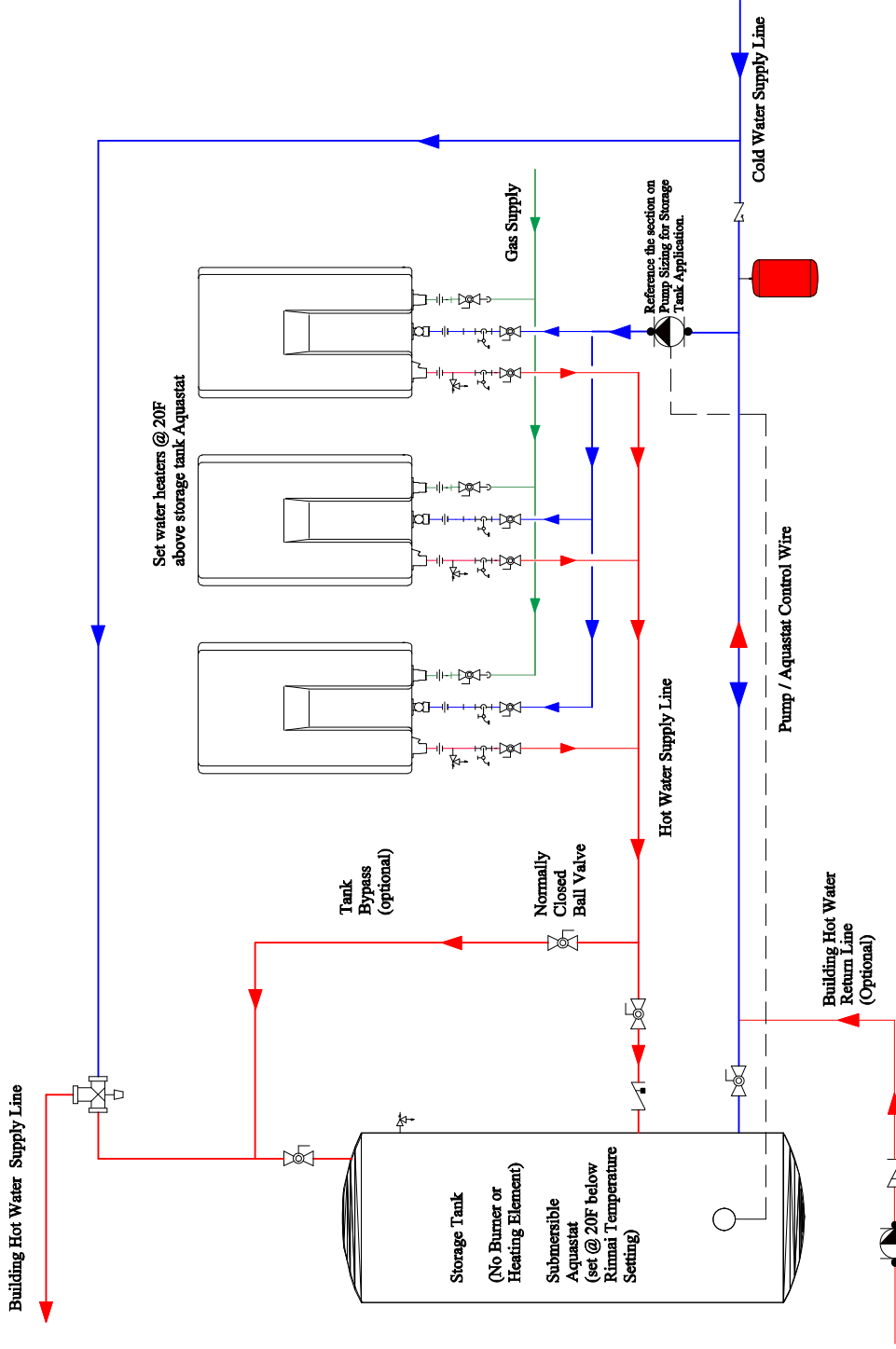
4 3 2 1

Rinnai Equipment List
Rinnai Non-Condensing Water Heaters **QTY** **3**

**Non-Condensing Tankless
 Three Units with Backup Storage**

For this application:

**Do not use manifold electronic
 controls with storage tank
 applications**



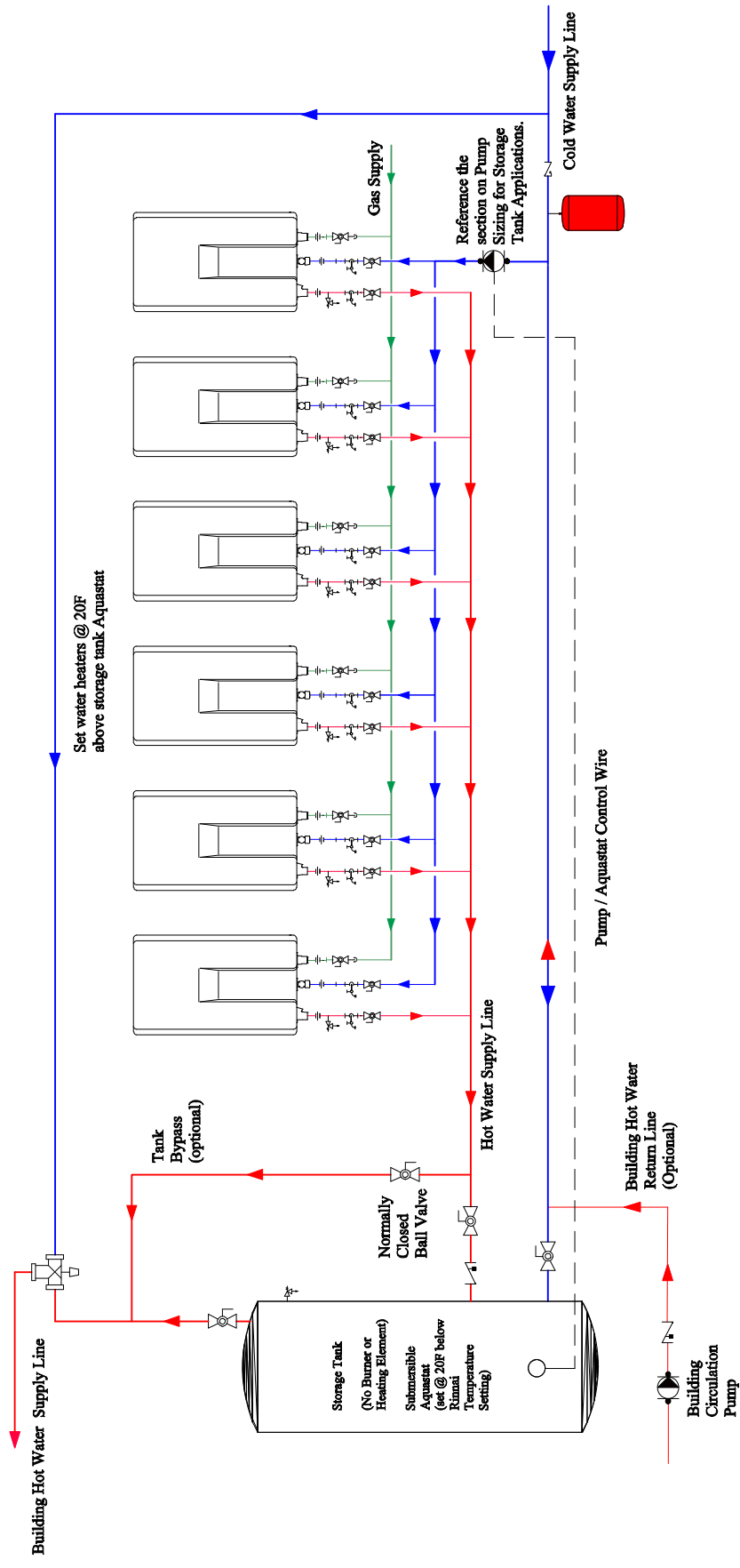
This is not an engineering drawing; it is intended only as a guide and not as a replacement for professional engineering project drawings. The drawing is not intended to describe a complete system. It is up to the contractor or engineer to determine the necessary components and configuration of the particular system to be installed. The drawing does not imply compliance with local building code requirements. It is the responsibility of the engineer or contractor to ensure that the installation is in accordance with all local building codes. Confer with local building officials before installation.

Rinnai America Corporation 103 International Drive Peachtree City, GA 30269 1-800-621-9419		This drawing is the exclusive property of Rinnai America Corporation. It may not be reproduced or given to third parties.	
Drawn By: DRM Checked By: NTS Approved By: RS	DATE: 03/02/11	SIZE: A SCALE: NTS	SHEET: 1 of 1
Tolerance: Fraction = ±1/16 X.XX = ±0.030 X.XXX = ±0.015 X.XXXX = ±0.005		Non-Condensing Tankless Three Units with Backup Storage SWS NO. WH3-BC	

1 2 3 4

Rinnai Equipment List
Non-Condensing Tankless Six Units with Backup Storage
QTY 6

For this application:
 Do not use manifold electronic controls with storage tank applications



This is not an engineering drawing; it is intended only as a guide and not as a replacement for professional engineering project drawings. This drawing is not intended to describe a complete system. It is up to the contractor or engineer to determine the necessary components and configuration of the particular system to be installed. The drawing does not imply compliance with local building code requirements. It is the responsibility of the engineer or contractor to ensure that the installation is in accordance with all local building codes. Confer with local building officials before installation.

Rinnai America Corporation
 103 International Drive
 Peachtree City, GA 30269
 1-800-621-9419

Tolerance
 Fractional = ±1/16"
 XXX±0.030
 XXXX±0.015
 XXXXX±0.005

This drawing is the exclusive property of Rinnai America Corporation and shall not be reproduced or given to third parties.

Drawn By: DRM
 Approved By: RS

Rinnai
 Non-Condensing Tankless Six Units with Backup Storage

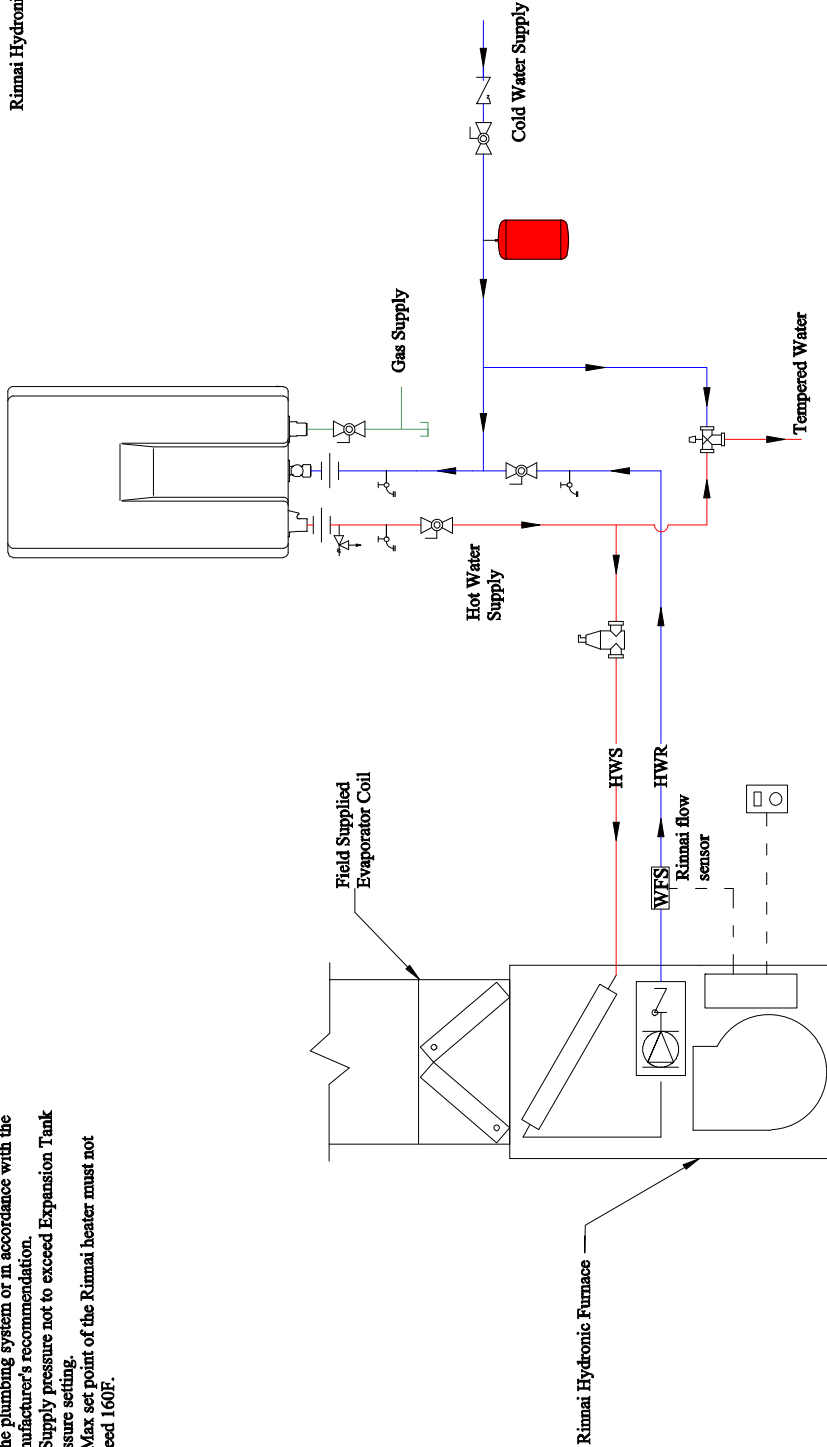
SIZE: A
 SCALE: NTS
 DWG NO.: WH6-BC
 DATE: 03/02/11
 SHEET: 1 of 1

Rinnai Tankless Single Unit with Hydronic Furnace

- Notes:**
1. Air Separator to be located at the highest point of the plumbing system or in accordance with the manufacturer's recommendation.
 2. Supply pressure not to exceed Expansion Tank pressure setting.
 3. Max set point of the Rinnai heater must not exceed 160F.

Rinnai Equipment List

Rinnai Equipment List	QTY
Rinnai Tankless Water Heaters	1
Rinnai Hydronic Furnace	1



This is not an engineering drawing; it is intended only as a guide and not as a replacement for professional engineering project drawings. This drawing is not intended to describe a complete system. It is up to the contractor or engineer to determine the necessary components and configuration of the particular system to be installed. The drawing does not imply compliance with local building code requirements. It is the responsibility of the engineer or contractor to ensure that the installation is in accordance with all local building codes. Confer with local officials before installation.

Rinnai America Corporation
103 International Drive
Peachtree City, GA 30269
1-800-621-9419

Tolerance
Frac: $\pm 0.030 = \pm \frac{1}{16}$ "
X-X = ± 0.015
X-X-X = ± 0.005

This drawing is the exclusive property of Rinnai America Corporation. It is not to be reproduced or given to third parties.

Drawn By: DRM
Approved By: RS

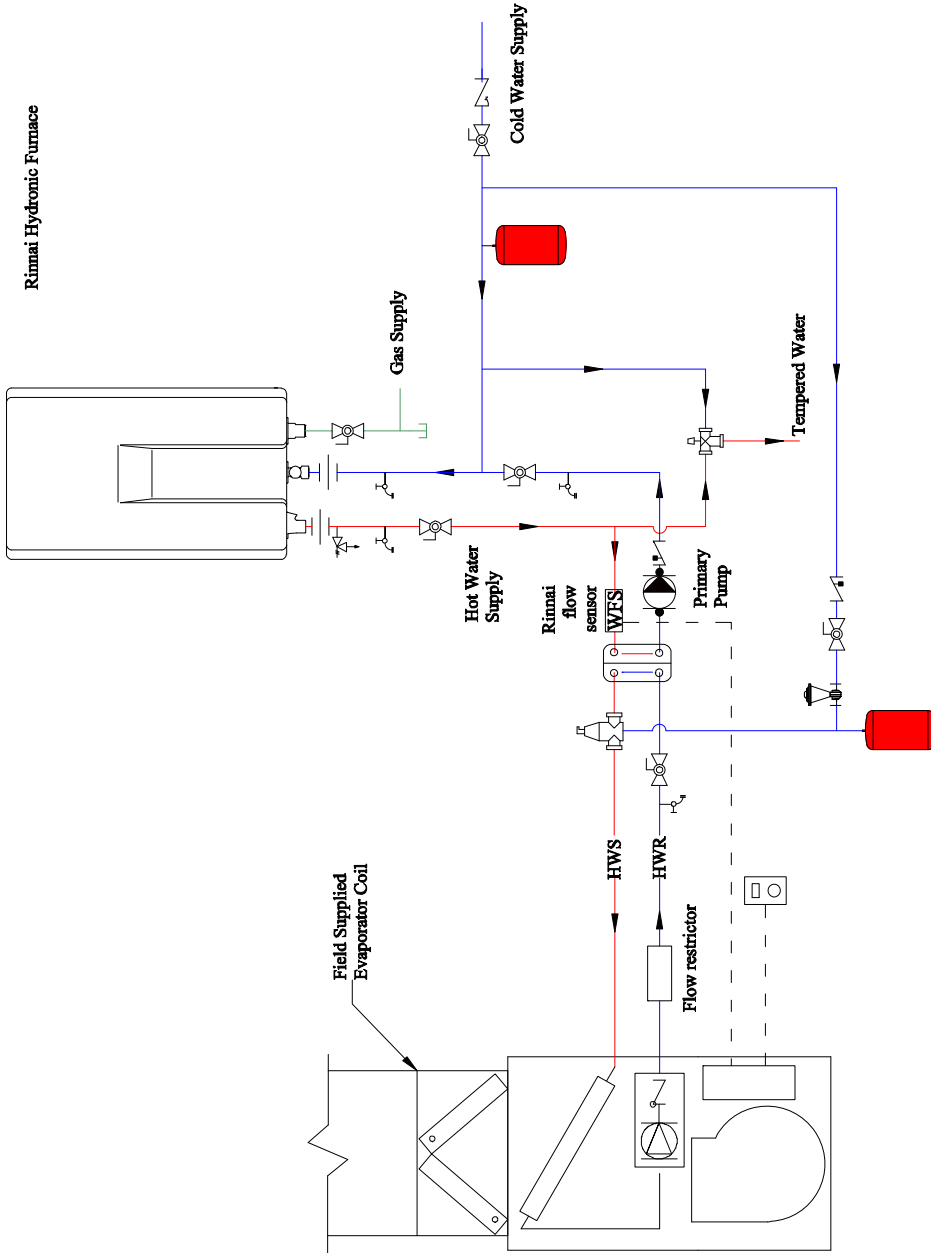
Rinnai	
Rinnai Tankless Hydronic Furnace	
SIZE	SCALE
A	AS NOTED
DATE	DWG NO.
03/02/11	WH1-AHU
SHEET	REV
1 of 1	D

Rinnai Tankless Single Unit with Hydronic Furnace and Heat Exchanger

Notes:

1. Air Separator to be located at the highest point of the plumbing system or in accordance with the manufacturer's recommendation.
2. Supply pressure not to exceed Expansion Tank pressure setting.
3. Primary pump must be sized to overcome the pressure loss through the system (Rinnai, piping, and flat plate heat exchanger) at the desired heating system flow rate. Refer to the tankless operation and installation manual for pressure loss curve.
4. Primary pump to be interlocked with integral pump of air handling unit.
5. Pump to be suitable for potable water use.
6. Flat plate heat exchanger to be sized for desired heating system capacity and flow rate.
7. Max set point of the Rinnai heater = 160F.
8. Primary pump to be sized for 4gpm plus the pressure loss of the tankless water heater, flat plate heat exchanger, and piping.
9. Flow restrictor should be set to 4gpm.
10. Rinnai water heater set point temperature to be 10F above air handler design entering water temperature to air handler. Reference data tables in Rinnai air handler manual as needed.

Rinnai Equipment List	QTY
Rinnai Tankless Water Heaters	1
Rinnai Hydronic Furnace	1



This is not an engineering drawing; it is intended only as a guide and not as a replacement for professional engineering project drawings. This drawing is not intended to describe a complete system. It is up to the contractor or engineer to determine the necessary components and configuration of the particular system to be installed. The drawing does not imply compliance with local building code requirements. It is the responsibility of the engineer or contractor to ensure that the installation is in accordance with all local building codes. Confer with local building officials before installation.

Rinnai, America Corporation
103 International Drive
Peachtree City, GA 30269
1-800-621-9419

Tolerance
Fraction = ±1/16"
X.XX = ±0.0030
X.XXX = ±0.0015
X.XXX = ±0.005

This drawing is the exclusive property of Rinnai, America Corporation, it may not be reproduced or given to third parties.

Drawn By: DRM
Approved By: RS

Rinnai
Rinnai Tankless
Hydronic Furnace and Heat Exchanger

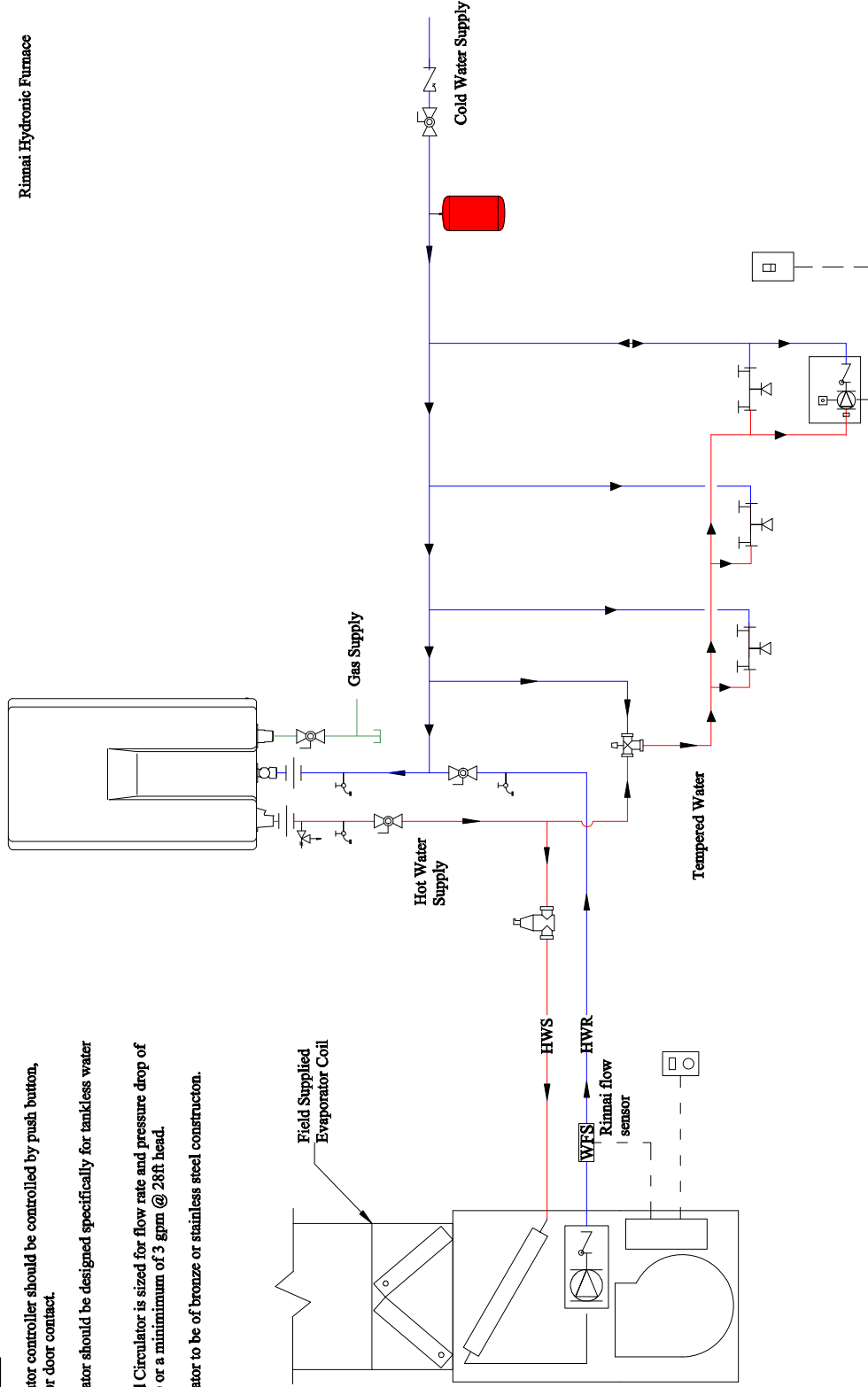
SIZE: A
SCALE: INTS
DATE: 03/02/11
DWP NO.: WH1-AHU-RES
REV: D
SHEET: 1 of 1

**Rinnai Tankless
Single Unit D'MAND System with Hydronic Furnace**

For this application:

- Demand circulator controller should be controlled by push button, motion sensor or door contact.
- Demand Circulator should be designed specifically for tankless water heaters.
- Ensure Demand Circulator is sized for flow rate and pressure drop of circulation loop or a minimum of 3 gpm @ 28ft head.
- Demand Circulator to be of bronze or stainless steel construction.

Rinnai Equipment List	QTY
Rinnai Water Heaters	1
Rinnai Hydronic Furnace	1



This is not an engineering drawing; it is intended only as a guide and not as a replacement for professional engineering project drawings. This drawing is not intended to describe a complete system. It is up to the contractor or engineer to determine the necessary components and configuration of the particular system to be installed. The drawing does not imply compliance with local building code requirements. It is the responsibility of the engineer or contractor to ensure that the installation is in accordance with all local building codes. Confer with local building officials before installation.

Rinnai America Corporation
103 International Drive
Peachtree City, GA 30269
1-800-621-9419

Tolerance
Frac Tol = ±1/16"
XX = ±0.030
XXX = ±0.015
XXXX = ±0.005

This drawing is the exclusive property of Rinnai America Corporation. It is not to be reproduced or given to third parties.

Drawn By: DRM
Approved By: RS

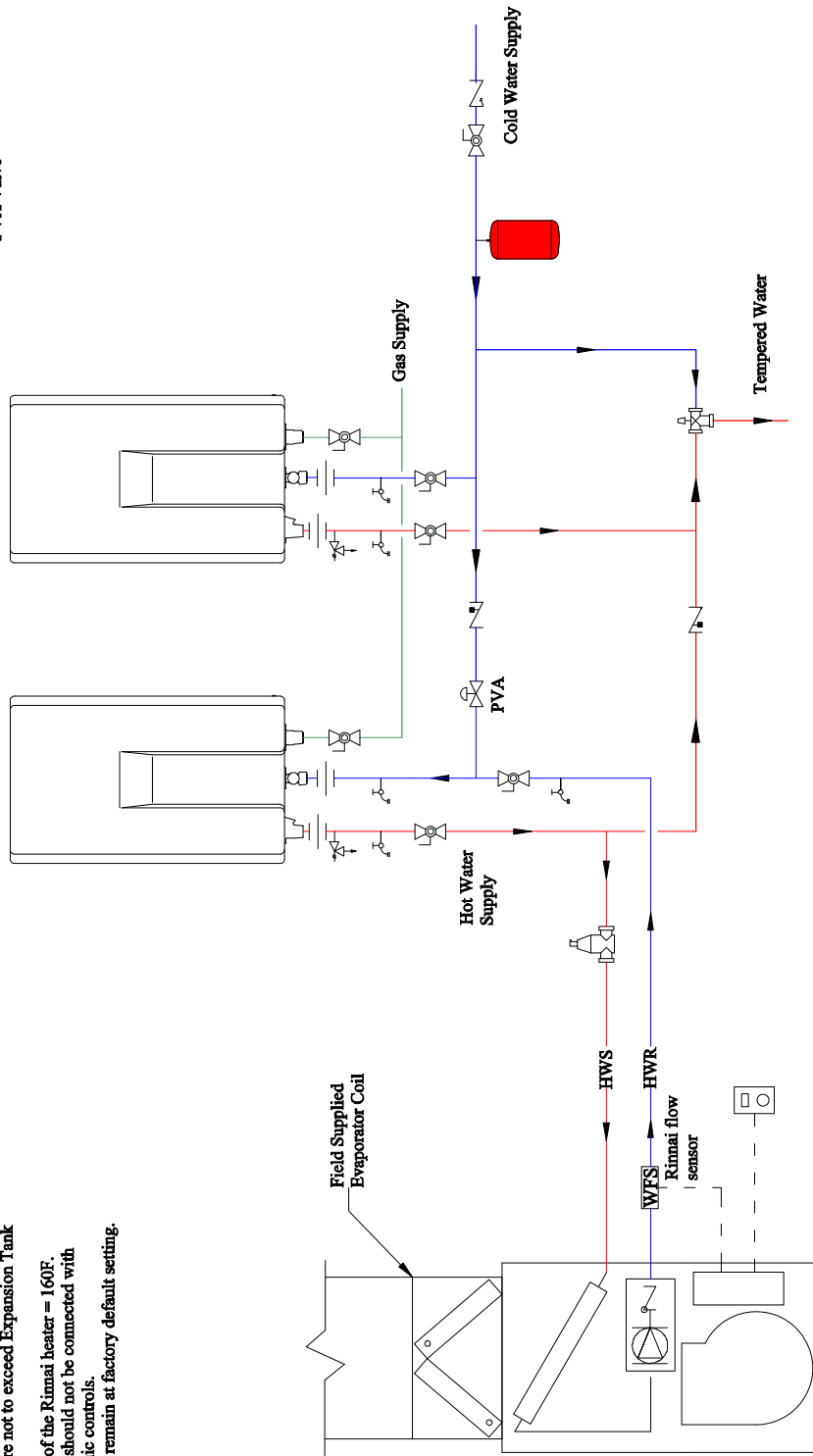
Rinnai
Rinnai Tankless
D'MAND System Hydronic Furnace

SIZE: A NTS
SCALE: DWS NO. WH1-A1-CD
DATE: 03/02/11
REV: D
SHEET: 1 of 1

- Tankless Water Heaters
Two Units with Hydronic Furnace**
- Notes:**
1. Air Separator to be located at the highest point of the plumbing system or in accordance with the manufacturer's recommendation.
 2. Supply pressure not to exceed Expansion Tank pressure setting.
 3. Max set point of the Rinnai heater = 160F.
 4. Water heaters should not be connected with manifold electronic controls.
 5. PVA Valve to remain at factory default setting.

Rinnai Equipment List

Rinnai Equipment List	QTY
Rinnai Water Heaters	2
Rinnai Hydronic Furnace	1
PVA Valve	1



This is not an engineering drawing; it is intended only as a guide and not as a replacement for professional engineering project drawings. This drawing is not intended to describe a complete system. It is up to the contractor or engineer to determine the necessary components and configuration of the particular system to be installed. The drawing does not imply compliance with local building code requirements. It is the responsibility of the engineer or contractor to ensure that the installation is in accordance with all local building codes. Confer with local building officials before installation.

Rinnai America Corporation
103 International Drive
Peachtree City, GA 30269
1-800-621-9419

Tolerance
X.X=±0.030
X.XX=±0.015
X.XXX=±0.005

Down By: DRM
Approved By: RS

This drawing is the exclusive property of Rinnai America Corporation; it may not be reproduced or given to third parties.

Rinnai

Non-Condensing Tankless
Two Tankless with Hydronic Furnace

SIZE	SCALE	DWG NO.	REV
A	N.T.S.	WH2-A1-CD	D

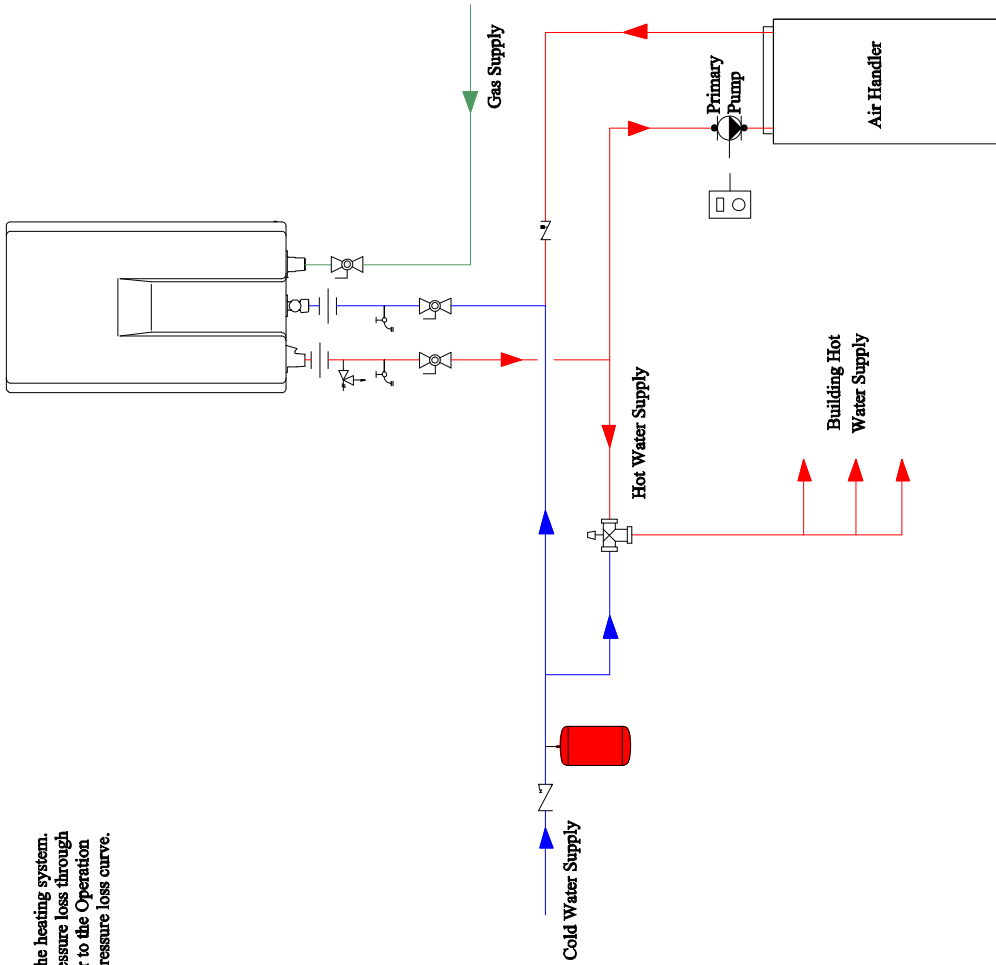
DATE: 03/02/11 SHEET 1 of 1

**Rinnai Tankless
Generic Air Handler**

Primary Pump
 Pump must be sized for the flow rate of the heating system.
 Pump must also be sized to overcome pressure loss through
 the system at the desired flow rate. Refer to the Operation
 and Installation Manual for the model's pressure loss curve.
 To be of bronze or stainless construction.

Rinnai Equipment List

Rinnai Tankless Water Heaters **QTY**
 1



This is not an engineering drawing; it is intended only as a guide and not as a replacement for professional engineering project drawings. This drawing is not intended to describe a complete system. It is up to the contractor or engineer to determine the necessary components and configuration of the particular system to be installed. The drawing does not imply compliance with local building code requirements. It is the responsibility of the engineer or contractor to ensure that the installation is in accordance with all local building codes. Confer with local building officials before installation.

Rinnai America Corporation
 103 International Drive
 Peachtree City, GA 30269
 1-800-621-9419
 Tolerance Fraction = $\pm \frac{1}{16}$
 X.XX=±0.0030
 X.XXX=±0.0015
 X.XXXX=±0.0005

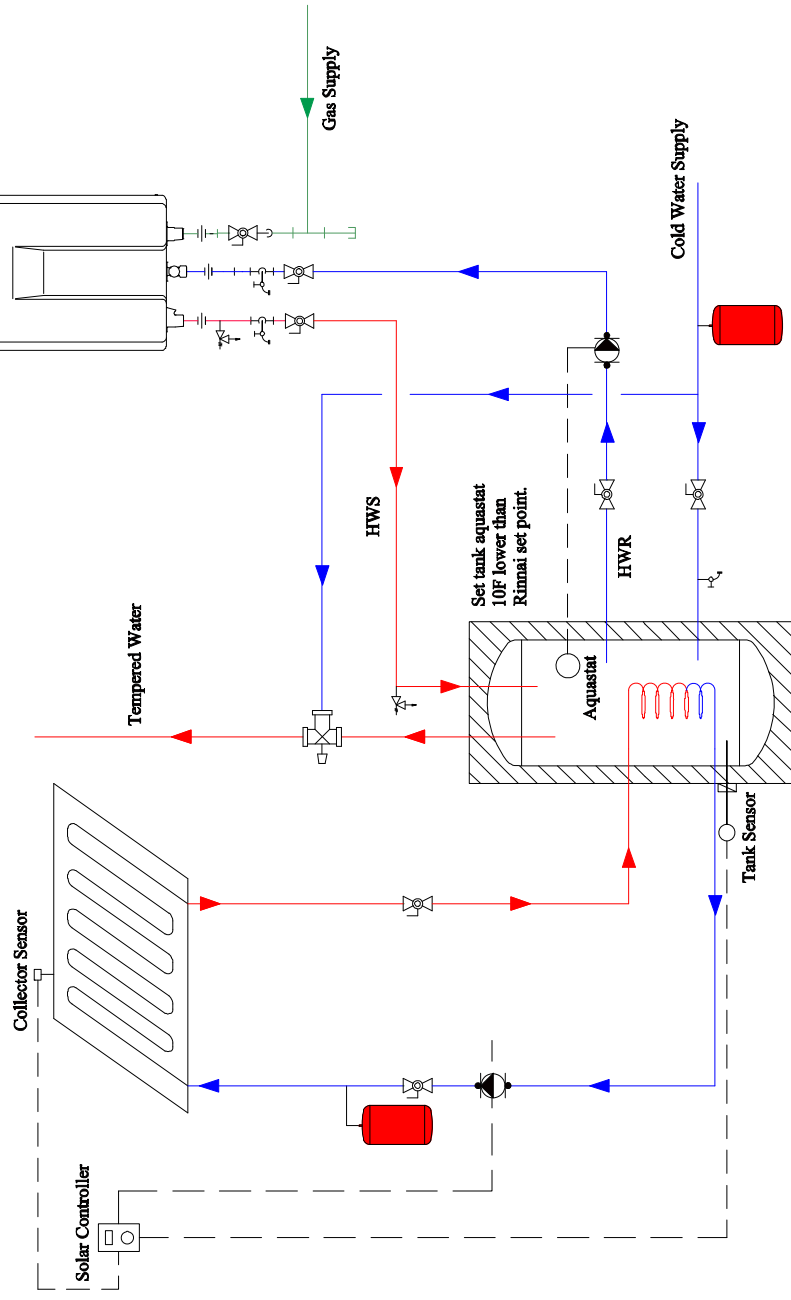
This drawing is the exclusive property of Rinnai America Corporation, it may not be reproduced or given to third parties.
 Drawn By: DRM
 Approved By: RS

Rinnai
 Rinnai Tankless
 Generic Air Handler
 SIZE: A
 SCALE: NTS
 DWG NO.: WH1-AH
 DATE: 03/02/11
 SHEET: 1 of 1

Rinnai Equipment List	QTY
Rinnai Tankless Water Heaters	1

Rinnai Tankless
Solar Backup

- Notes:**
1. Ensure tank aquastat is in top 1/3 section of the tank.
 2. Ensure the hot water return is in the top 1/2 section of the tank.



This is not an engineering drawing; it is intended only as a guide and not as a replacement for professional engineering project drawings. This drawing is not intended to describe a complete system. It is up to the contractor or engineer to determine the necessary components and configuration of the particular system to be installed. The drawing does not imply compliance with local building code requirements. It is the responsibility of the engineer or contractor to ensure that the installation is in accordance with all local building codes. Confer with local officials before installation.

Rinnai America Corporation
103 International Drive
Peachtree City, GA 30269
1-800-621-9419

Tolerance
Fraction = ±1/16"
X.XX=±0.0030
X.XXX=±0.0015
X.XXXX=±0.0005

This drawing is the exclusive property of Rinnai America Corporation, it may not be reproduced or given to third parties.

Drawn By: DRM
Approved By: RS

SIZE	SCALE	DWG NO.	REV
A	NTS	WH1-S-1	D

Rinnai Tankless
Solar Backup

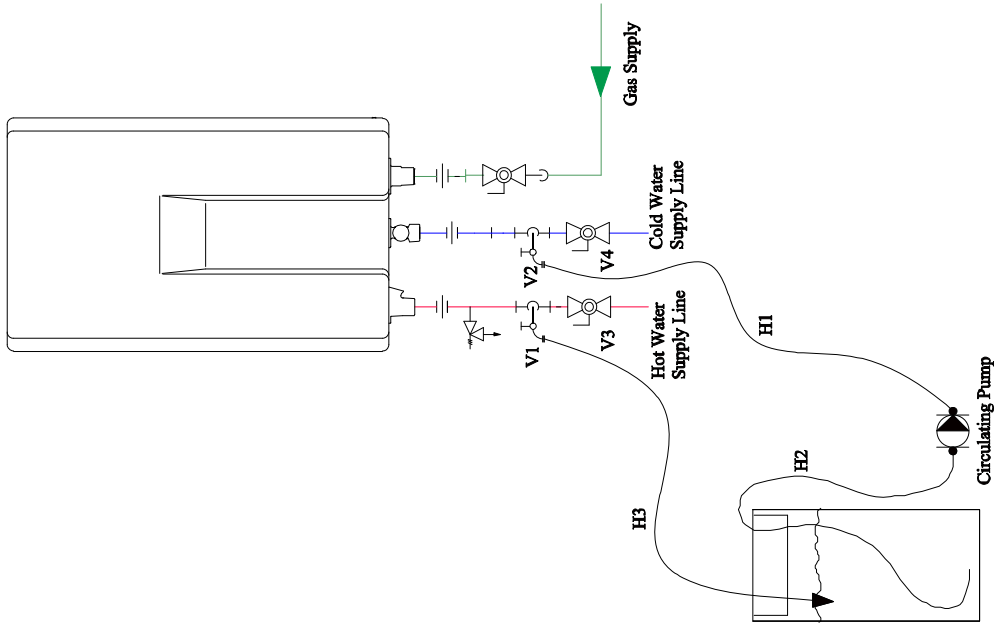
DATE 03/02/11

SHEET 1 of 1

Flush Procedure

Single Unit Flush Procedure

1. Disconnect electrical power to the water heater.
2. Close the shutoff valves on both the hot water and cold water lines (V3 and V4).
3. Connect pump outlet hose (H1) to the cold water line at service valve (V2).
4. Connect drain hose (H3) to service valve (V1).
5. Pour 4 gallons of undiluted virgin, food grade, white vinegar into pail.
6. Place the drain hose (H3) and the hose (H2) to the pump inlet into the cleaning solution.
7. Open both service valves (V1 and V2) on the hot water and cold water lines.
8. Operate the pump and allow the cleaning solution to circulate through the water heater for at least 1 hour at a rate of 4 gallons per minute (15.1 liters per minute).
9. Turn off the pump.
10. Rinse the cleaning solution from the water heater as follows:
 - a. Remove the free end of the drain hose (H3) from the pail. Place in sink or outside to drain.
 - b. Close service valve, (V2), and open shutoff valve, (V4). Do not open shutoff valve, (V3).
 - c. Allow water to flow through the water heater for 5 minutes.
 - d. Close shutoff valve (V4). When unit has finished draining remove the in-line filter at the cold water inlet and clean out any residue. Place filter back into unit and open valve (V4).
 - e. Close service valve, (V1), and open shutoff valve, (V3).
11. Disconnect all hoses.
13. Restore electrical power to the water heater.



This is not an engineering drawing; it is intended only as a guide and not as a replacement for professional engineering project drawings. This drawing is not intended to describe a complete system. It is up to the contractor or engineer to determine the necessary components and configuration of the particular system to be installed. The drawing does not imply compliance with local building code requirements. It is the responsibility of the engineer or contractor to ensure that the installation is in accordance with all local building codes. Confer with local building officials before installation.

Rinnai America Corporation
103 International Drive
Peachtree City, GA 30269
1-800-621-9419

Tolerance
FRACTIOⁿ = ±1/16"
X.X = ±0.030
X.XX = ±0.015
X.XXX = ±0.005

This drawing is the exclusive property of Rinnai, America and shall not be reproduced or given to third parties.

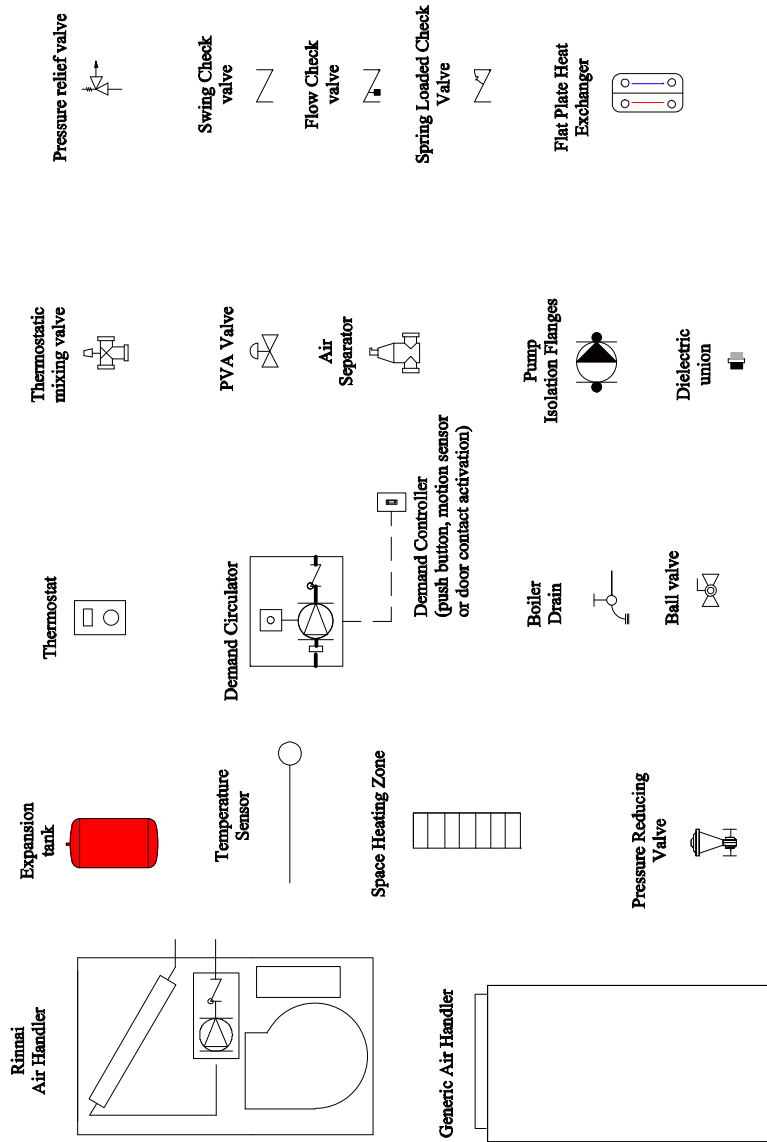
Drawn By: DRM
Approved By: RS

Rinnai
Rinnai Tankless
Single Unit Flush Procedure

SIZE: A
SCALE: NTS
DATE: 03/02/11

DWG NO.: WH1-F
REV: D
SHEET: 1 of 1

**Tankless Water Heaters
LEGEND**



This is not an engineering drawing; it is intended only as a guide and not as a replacement for professional engineering project drawings. This drawing is not intended to describe a complete system. It is up to the contractor or engineer to determine the necessary components and configuration of the particular system to be installed. The drawing does not imply compliance with local building code requirements. It is the responsibility of the engineer or contractor to ensure that the installation is in accordance with all local building codes. Confer with local building officials before installation.

Rinnai America Corporation
103 Interchange Drive
Peachtree City, GA 30269
1-800-621-9419

Tolerance
Fraction = $\pm \frac{1}{16}$
X.XX = ± 0.0030
X.XXX = ± 0.0015
X.XXXX = ± 0.0005

This drawing is the exclusive property of Rinnai America Corporation, it may not be reproduced or given to third parties.

Drawn By: DRM
Approved By: RS

Rinnai			
Tankless Water Heaters LEGEND			
SIZE	SCALE	DWG NO.	REV
A	NTS		D
DATE 03/02/11			SHEET 1 of 1

— Ask about — Rinnai®

Rinnai's other fine products

EXPERIENCE OUR INNOVATION™



Tankless Water Heaters

- Residential and Commercial Applications
- Continuous Hot Water
- ENERGY STAR® qualified models
- Up to 9.8 GPM
- Internal or External Installation
- Digital Temperature Control



Direct Vent Furnaces

- High Efficiency
- Cool-to-the-touch Cabinet
- Blower Included
- Vent Terminal A Included
- Gas Conversion Kit Included



Direct-Vent Fireplace, RHFE-750ETRA

- Up to 83% AFUE Energy Efficiency
- Zero-Clearance Installation
- Available in Four Options of Fronts
- Remotes and Fan Included
- Gas Conversion Kit Available



Hydronic Air Handler

- Designed for Use with Rinnai Systems
- Domestic Hot Water Priority
- Optional Programmable Thermostat
- Zero Clearance to Combustibles
- Accommodates Standard Cased-Coils



Boilers

- Residential and Commercial Applications
- ENERGY STAR® qualified models
- Up to 96.5% AFUE efficiency
- Compact wall mounted design
- ASME accredited models



Condensing Tankless Water Heaters

- Residential and Commercial Applications
- ENERGY STAR® qualified models
- Up to 95% thermal efficiency
- Internal or External Installation
- Pair up with the Rinnai Air Handler for efficient home heating



Rinnai Impression - Outdoor Fireplace

- Options include one-sided open, two-sided open, and freestanding.
- No electrical requirements
- Propane or convertible to natural gas with conversion kit provided
- Modular construction offers design flexibility

Register your product at www.rinnairegistration.com
or call 1-866-RINNAI1 (746-6241)

For information on Rinnai's products contact
Rinnai America Corporation
103 International Drive
Peachtree City, GA 30269
TOLL FREE: 1-800-621-9419
FAX: 678-829-1666
www.rinnai.us

R-TRWH-E-02 Rev D