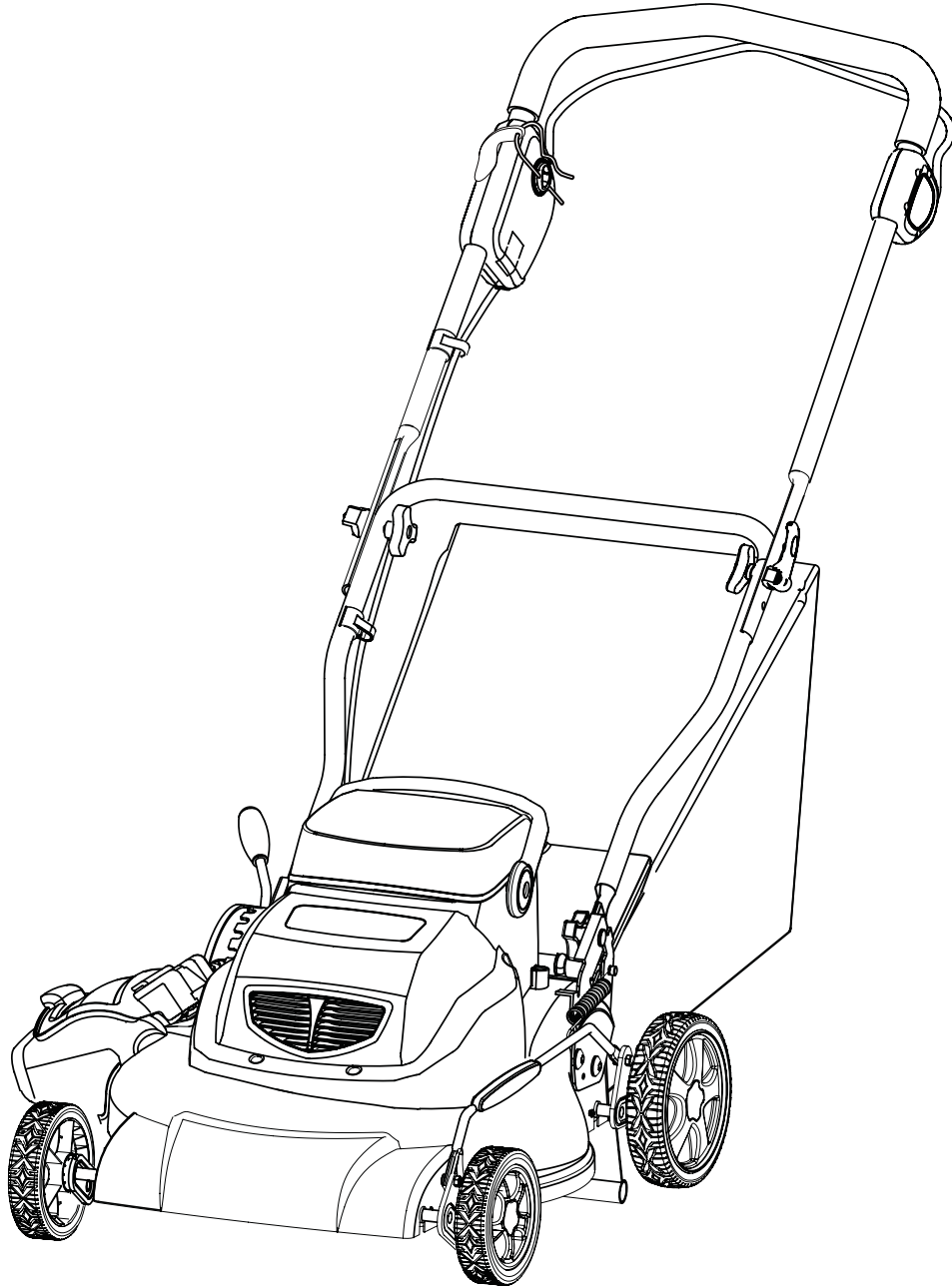


# WEED EATER®



## **OPERATOR'S MANUAL**

**MODEL NUMBER WE20X**  
**BATTERY-POWERED, 3-IN-1,**  
**20" ROTARY LAWN MOWER**

# TABLE OF CONTENTS

Safety Rules .....	2-4	Pre-Operation .....	7	Storage .....	14
Battery Disposal .....	5	Operation .....	8-11	Troubleshooting .....	15
Assembly .....	5-6	Maintenance .....	12-13	Warranty .....	16

## SAFETY RULES

### **⚠ WARNING: IMPORTANT SAFETY WARNINGS AND INSTRUCTIONS.**

**⚠ WARNING:** When using electric gardening appliances, basic safety precautions should always be followed to reduce risk of fire, electric shock, and personal injury, including the following.

### READ ALL INSTRUCTIONS

#### MOWER SAFETY GUIDELINES

- The information this manual contains will alert you to potential hazards and prevent possible problems.
- It may not be practical or possible to warn about all the hazards associated with operating or maintaining your lawn mower in this manual and we would advise you to use your own good judgment.
- Familiarize yourself with your lawn mower, know all the lawn mower controls and how to operate them.

#### USER SAFETY

The symbols below may appear in this manual and on your mower. Learn and understand their meaning.



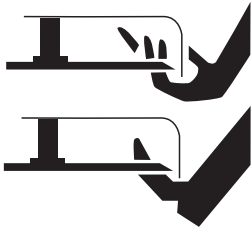
CAUTION  
or  
WARNING



DANGER:  
Cut hazard -  
keep hands  
and feet away.



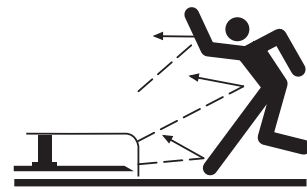
To reduce risk of  
electric shock, do not  
expose to water or  
operate on wet ground.



DANGER: Beware of  
sharp blade - keep  
hands and feet away.



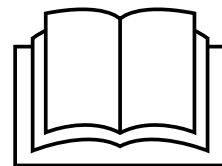
Do not mow when  
children or others  
are present - keep  
bystanders away.



Beware of thrown  
objects from mower  
deck. Remove  
objects that could be  
thrown by the blade.



Mow across slopes, not up and down.  
Do not mow any slope that has  
an angle of greater than 15°



Read the  
operator's  
manual.

# SAFETY RULES

## I. GENERAL OPERATION

- Read, understand, and follow all instructions on the machine and in the manual(s) before starting. Be thoroughly familiar with the controls and the proper use of the machine before starting.
- Do not put hands or feet near or under rotating parts. Keep clear of the discharge opening at all times.
- Only allow responsible adults, who are familiar with the instructions, to operate the machine.
- Clear the area of objects such as rocks, toys, wire, sticks, etc., which could be picked up and thrown by the blade. Stay behind the handle when the motor is running.
- Be sure the area is clear of other people before mowing. Stop machine if anyone enters the area.
- Do not operate the mower when bare-foot or wearing open sandals. Always wear substantial foot wear.
- Do not pull mower backwards unless absolutely necessary. Always look down and behind before and while moving backwards.
- Never direct discharged material toward anyone. Avoid discharging material against a wall or obstruction. Material may ricochet back toward the operator. Stop the blade when crossing gravel surfaces.
- Do not operate the mower without the entire grasscatcher, discharge guard, rear guard or other safety protective devices in place and working.
- Never leave a running machine unattended.
- See manufacturer's instructions for proper operation and installation of accessories. Only use accessories approved by the manufacturer.
- Stop the motor when crossing gravel drives, walks, or roads.
- Stop the motor whenever you leave the equipment, before cleaning the mower or unclogging the chute.
- Shut the motor off and wait until the blade comes to complete stop before removing grass catcher.
- Mow only in daylight or good artificial light.
- Do not operate the machine while under the influence of alcohol or drugs.
- Never operate machine in rain or on wet grass. Always be sure of your footing:

keep a firm hold on the handle and walk; never run.

- Disengage the self-propelled mechanism on mowers so equipped before starting the motor.
- If the equipment should start to vibrate abnormally, stop the motor and check immediately for the cause.
- Vibration is generally a warning of trouble.
- Always wear safety goggles or safety glasses with side shields when operating mower.

## II. SLOPE OPERATION

Slopes are a major factor related to slip and fall accidents which can result in severe injury. All slopes require extra caution. If you feel uneasy on a slope, do not mow it.

### DO:

- Mow across the face of slopes: never up and down. Exercise extreme caution when changing direction on slopes.
- Remove obstacles such as rocks, tree limbs, etc.
- Watch for holes, ruts, or bumps. Tall grass can hide obstacles.

### DO NOT:

- Do not trim near drop-offs, ditches or embankments. The operator could lose footing or balance.
- Do not cut excessively steep slopes.
- Do not mow on wet grass. Reduced footing could cause slipping.

## III. CHILDREN

Tragic accidents can occur if the operator is not alert to the presence of children. Children are often attracted to the machine and the mowing activity. Never assume that children will remain where you last saw them.

- Keep children out of the mowing area and under the watchful care of another responsible adult.
- Be alert and turn machine off if children enter the area.
- Before and while walking backwards, look behind and down for small children. Use extra care when approaching blind corners, shrubs, trees, or other objects that may obscure vision.
- The mower is not a toy. It can be very dangerous; children should not use this mower. Only responsible adults who have read the manual and understood all instructions should operate this mower.

# SAFETY RULES

## IV. GENERAL SERVICE

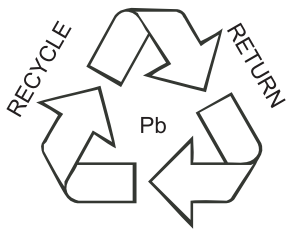
- Never run a machine inside a closed area.
- Never make adjustments or repairs with the motor running.
- Keep nuts and bolts, especially blade attachment bolts, tight and keep equipment in good condition.
- Never tamper with safety devices. Check their proper operation regularly.
- Keep machine free of grass, leaves, or other debris build-up. Allow machine to cool before storing.
- Stop and inspect the equipment if you strike an object. Repair, if necessary, before restarting.
- Never attempt to make wheel height adjustments while the motor is running.
- Always remove battery from mower before adjusting, cleaning or repairing.
- Grass catcher components are subject to wear, damage, and deterioration, which could expose moving parts or allow objects to be thrown. Frequently check components and replace with manufacturer's recommended parts when necessary.
- Mower blade is sharp and can cut. Wrap the blade or wear gloves, and use extra caution when servicing it.
- Do not attempt to change the motor's electronic settings or over speed the motor.
- Maintain or replace safety and instruction labels, as necessary.
- Only use accessories or parts approved by the manufacturer. Non-approved parts or accessories can cause serious injury or damage and will void the warranty.
- This lawnmower is not to be used for commercial use; Use only on personal property. It should only be used on private lawns and should not be used to cut public parks, playing fields, farms, forests or a large number of lawns.

## V. BATTERY & CHARGER SAFETY

**⚠ CAUTION:** Before using battery or charger please read all instructions. Serious injury, electrical shock or property damage may occur if all warnings and instructions are not understood and followed. Only use batteries provided or approved by the manufacturer.

- The batteries are sealed units and can not be opened or taken apart. When a battery is no longer holding a charge take it to a local recycling center.
- Be extra cautious to reduce risk of dropping a metal tool onto the battery. It might spark or short circuit the battery or other electrical parts and may cause an explosion. Keep the area around the charger and batteries clean.
- Remove personal metal items such as rings, bracelets, necklaces, and watches when working with a lead-acid battery.
- Do not touch un-insulated parts of the battery, contacts or terminals.
- Do not leave the batteries outside in the elements. Always store the batteries in a dry area where the temperature does not drop below 32° F or 0° C.
- The Charger and batteries should be kept in a dry area away from children, pets, heat and moisture.
- Only Charge batteries with standard 120V household supply.
- Do not attempt to rewire or otherwise short circuit the batteries.
- Use the charger only in a well ventilated area. Do not charge batteries in a sealed container.
- Use only manufacturer-approved charger to charge the lawnmower batteries.
- Charge only manufacturer-approved batteries with this charger. Charging other batteries or products may cause personal injury or property damage.
- If the cord or other parts are damaged replace them immediately before using the charger.
- To reduce risk of damage to electric plug and cord, unplug the charger by the plug and not by the cord when disconnecting charger.
- Use the charger in a location where it will not be stepped on, tripped over or otherwise subjected to damage or stress.
- Do not disassemble charger; take it to a qualified service agent or replace charger when service or repair is required.
- To reduce risk of electric shock, unplug charger from outlet before attempting any maintenance or cleaning.
- Never alter the charger or cord.

## ENVIRONMENTALLY SAFE BATTERY DISPOSAL



The following toxic and corrosive materials are in the battery used in this battery pack: a toxic material.

**⚠ WARNING:** All toxic materials must be disposed of in a specified manner to prevent contamination of the environment. Dispose of batteries according to local by-laws because this Lead-Acid battery contains lead and sulphuric acid that are hazardous materials.

**⚠ WARNING:** If the battery pack cracks or breaks, with or without leaks, do not recharge it and do not use. Dispose of it and replace with a new battery pack. **DO NOT ATTEMPT TO REPAIR IT!** To avoid injury and risk of fire, explosion or electric shock,

and to avoid damage to the environment:

- Cover the battery's terminals with heavy-duty adhesive tape.
- **DO NOT** attempt to remove or destroy any of the battery pack components.
- **DO NOT** attempt to open the battery pack.
- If a leak develops, the released electrolytes are corrosive and toxic. **DO NOT** get the solution in the eyes or on skin, and do not swallow it.
- **DO NOT** place this battery in your regular household trash.
- **DO NOT** dispose of the battery in a fire. The cell may explode.
- **DO NOT** place it where it will become part of any waste landfill or municipal solid waste stream.
- Take it to a certified recycling or disposal center.

## ASSEMBLY

### TO REMOVE MOWER FROM CARTON

- Remove all loose parts from carton.
- Remove lawn mower housing with care. Avoid touching blade under housing. Always wear gloves or other protection when working under or lifting mower.

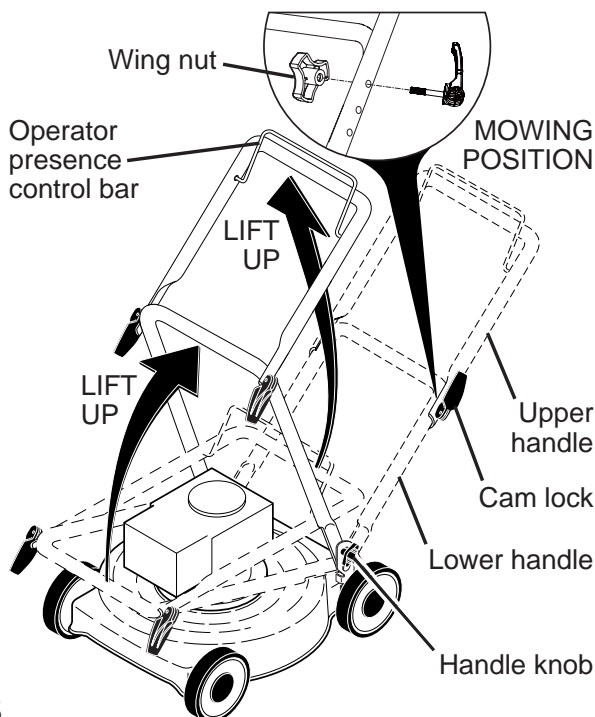
**⚠ CAUTION:** Do not operate this lawn mower without the discharge guard or an entire approved grass catcher in place. These guards are for your protection and are required by the American National Standards Institute and Consumer Products Safety Commission.

### HOW TO SET UP YOUR LAWN MOWER

#### TO UNFOLD HANDLE

**IMPORTANT:** Unfold handle carefully so as not to pinch or damage control cables.

- Remove any packing material which may be between the upper and lower handles for shipping purposes.
- Pull up and back on the upper handle to raise the handle into the operating position. Make certain the lower handle is seated securely into the handle mounting bracket.
- Align the holes between the upper handle and lower handles. Insert the cam locks and tighten them with the wing nuts provided.
- Secure the lower handle to the bracket with the knob on each side.





# ASSEMBLY

## TO PREPARE BATTERY

**NOTE:** Your battery must be charged before you can start your lawn mower. Avoid charging battery in extremely hot or cold temperatures.

**IMPORTANT:** Do not store charger inside of motor or on top of battery.

**⚠ WARNING:** Use only the battery pack supplied with this mower. Type: XXXXXX.

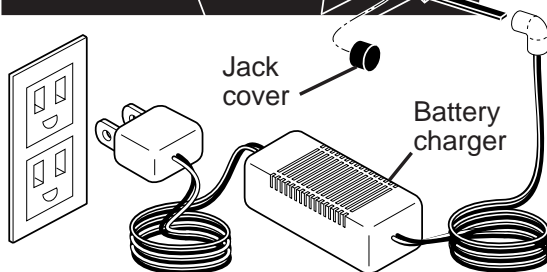
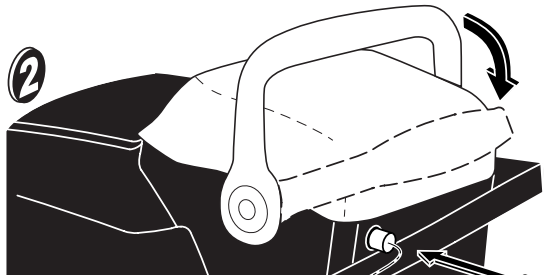
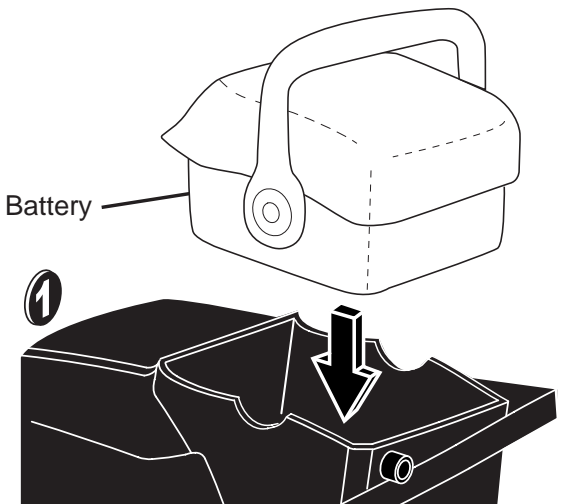
**⚠ WARNING:** Do not charge battery in rain or wet locations.

**⚠ WARNING:** Do not attempt to operate mower while battery is charging.

**⚠ CAUTION:** Only use battery charger approved by the manufacturer of your mower. Using a charger not approved by the manufacturer of your mower is hazardous, could damage your mower and void your warranty.

**NOTE:** The battery can be charged while in or out of the lawn mower.

1. Install battery as shown and tilt handle back to lock into position.



2. Remove the jack cover.
3. Plug the battery charger into the jack on the battery.
4. Plug the other end of the battery charger into a 120 volt A.C. outlet. The red light on the charger will illuminate indicating that the charger is working and the battery is being charged.

When the battery is completely charged, the red light will go out and the green light will illuminate.

**NOTE:** It takes approximately 15 hours to charge a fully discharged battery.

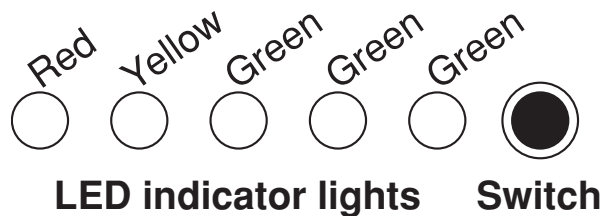
**IMPORTANT:** Battery should be charged after each use regardless of power level. Battery should always be stored in a fully charged state. This battery will not develop a charging memory.

**⚠ WARNING:** Do not store battery in temperatures lower than 32° F (0° C).

## BATTERY CHARGER LED INDICATORS

Press the Battery Capacity Indicator Switch (on the back of the battery). The LED lights will indicate the current battery capacity as follows:

LIGHT MODE	BATTERY STATUS
RED	Battery is at 20% capacity, charging is required
YELLOW	Battery is at 25% capacity, will require charging soon
1 GREEN	Battery is at 45% capacity
2 GREEN	Battery is at 60% capacity
3 GREEN	Battery is at full capacity



## PRE-OPERATION

**⚠ WARNING:** This mower is for outdoor use only. Do not expose to rain or use in damp locations.

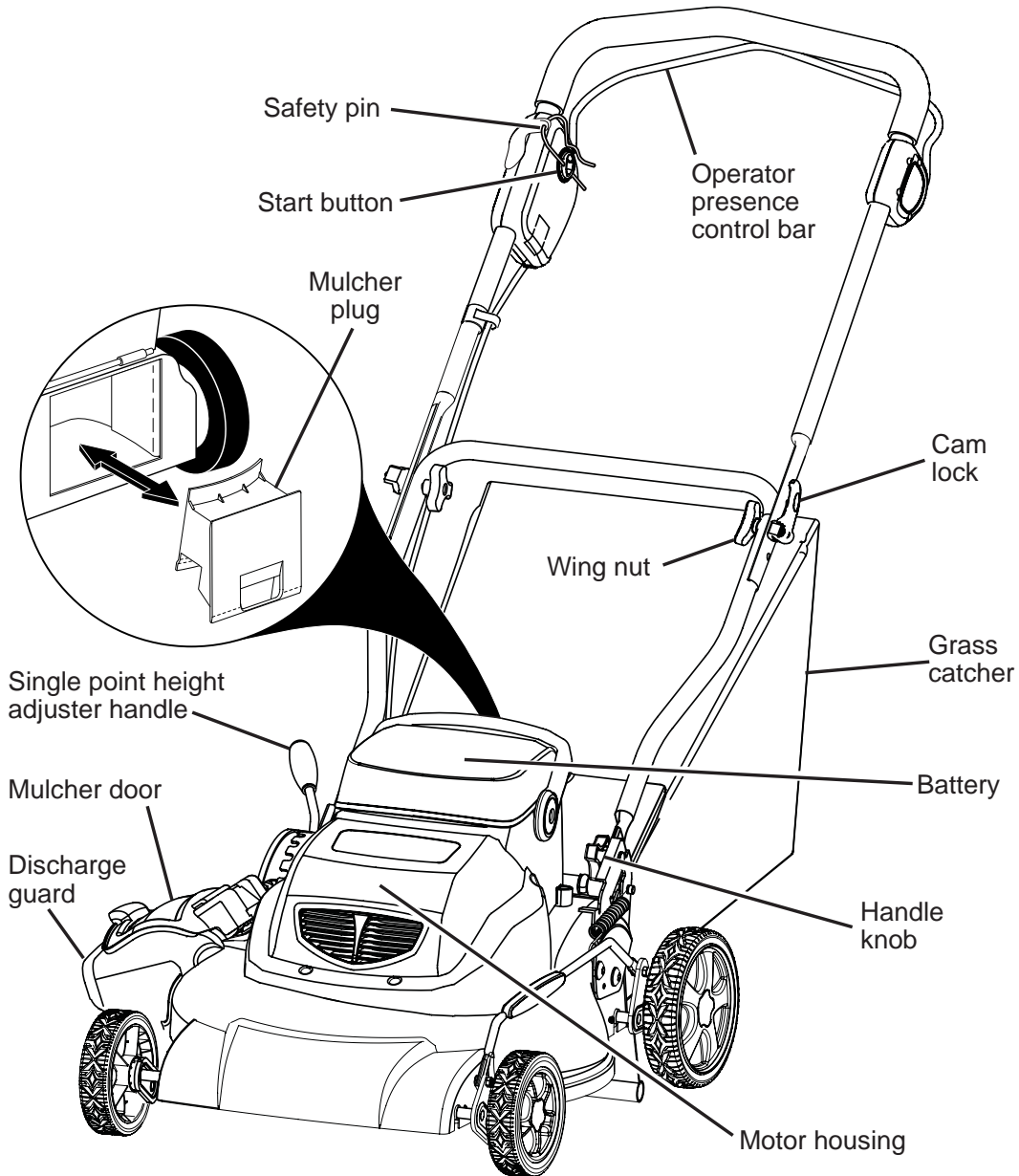
- Avoid Dangerous Environment – Don't use lawn mowers in damp or wet locations.
- Don't Use In Rain.
- Keep Children Away – All visitors should be kept a safe distance from work area.
- Dress Properly – Do not wear loose clothing or jewelry. They can be caught in moving parts. Use of rubber gloves and footwear is recommended when working outdoors.
- Use Safety Glasses – Always use face or dust mask if operation is dusty.
- Use Right Appliance – Do not use lawn mower for any job except that for which it is intended.
- Don't Force Lawn Mower – It will do the job better and safer at the rate for which it was designed.
- Don't Overreach – Keep proper footing and balance at all times.
- Stay Alert – Watch what you are doing. Use common sense. Do not operate lawn mower when you are tired.
- Store Idle Lawn Mower Indoors – When not in use, lawn mower should be stored in an indoor dry and locked-up place – out of reach of children.
- Maintain Lawn Mower With Care – Keep cutting edges sharp and clean for best and safest performance.
- Follow instructions for lubricating and changing accessories.
- Keep handles dry, clean, and free from oil and grease.
- Keep guards in place and in working order.
- Keep blades sharp.
- Keep hands and feet away from cutting area.
- Objects struck by the lawn mower blade can cause severe injuries to persons. The lawn should always be carefully examined and cleared of all objects prior to each mowing.
- If lawn mower strikes a foreign object, follow these steps:
  - Stop lawn mower. Release the switch.
  - Remove battery from mower.
  - Inspect for damage.
  - Repair any damage before restarting and operating the lawn mower.
- Use identical replacement blades only.

**SAVE THESE INSTRUCTIONS**

# OPERATION

## KNOW YOUR LAWN MOWER

READ THIS OWNER'S MANUAL AND ALL SAFETY RULES BEFORE OPERATING YOUR LAWN MOWER. Compare the illustrations with your lawn mower to familiarize yourself with the location of various controls and adjustments. Save this manual for future reference.



## MEETS CPSC SAFETY REQUIREMENTS

Our rotary walk-behind lawn mowers conform to the safety standards of the American National Standards Institute and the U.S. Consumer Product Safety Commission.

**⚠WARNING:** The blade turns when the motor is running.

**Operator presence control bar** – must be held down to the handle to start the motor. Release to stop the motor.

**Start button** – used for starting the motor.

**Single point height adjuster** – used to adjust cutting height of lawn mower.

**Mulcher plug** – located at the rear discharge opening. Must be removed when converting to bagging operation.

**Mulcher door** – allows conversion to discharging or bagging operation.



# OPERATION



The operation of any lawn mower can result in foreign objects thrown into the eyes, which can result in severe eye damage. Always wear safety glasses or eye shields while operating your lawn mower or performing any adjustments or repairs. We recommend standard safety glasses or a wide vision safety mask worn over spectacles.

## HOW TO USE YOUR LAWN MOWER

- Your lawn mower is equipped with an operator presence control bar which requires the operator to be positioned behind the lawn mower handle to start and operate the lawn mower.

**CAUTION:** Federal regulations require a motor control to be installed on this lawn mower in order to minimize the risk of blade contact injury. Do not under any circumstances attempt to defeat the function of the operator control. The blade turns when the motor is running.

## TO START

- Remove safety pin.
- Press the start button.
- Hold down operator presence control bar to handle.
- Mower will begin to operate.

## TO STOP

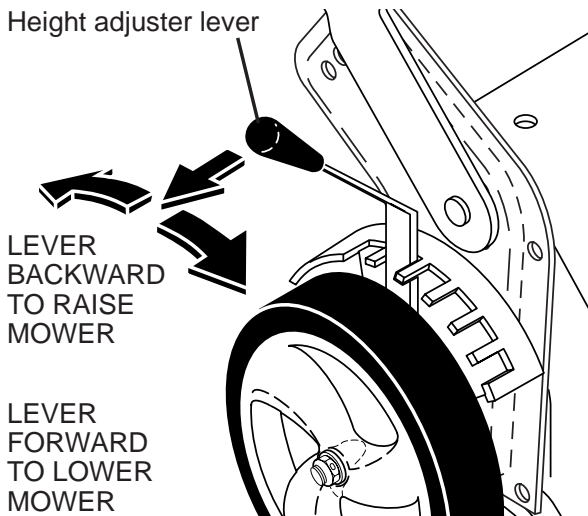
- To stop motor, release operator presence control bar.

Let the blade come to a complete stop, then replace safety pin.

## TO ADJUST CUTTING HEIGHT

Adjust cutting height to suit your requirements. Medium position is best for most lawns. Raise wheels for low cut and lower wheels for high cut. All four wheels are adjusted by a single lever.

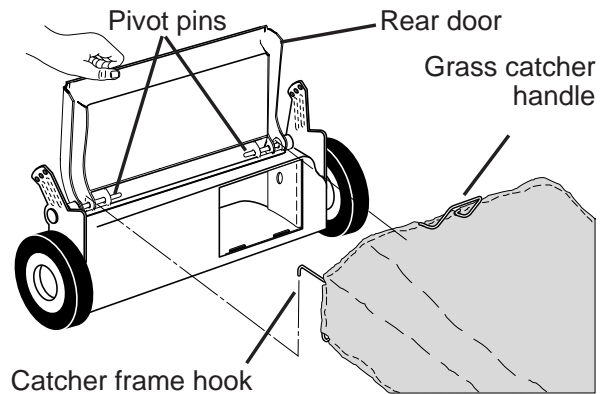
- Pull adjuster lever toward wheel. To lower mower, move lever forward to desired position. To raise mower, move the lever toward the rear.



## TO ATTACH GRASS CATCHER

1. Lift the rear door of the lawn mower and place the grass catcher frame side hooks onto the door pivot pins.
2. The grass catcher is secured to the lawn mower housing when the rear door is lowered onto the grass catcher frame.

**CAUTION:** Do not run your lawn mower without mulcher plug or approved grass catcher in place. Never attempt to operate the lawn mower with the rear door removed or propped open.

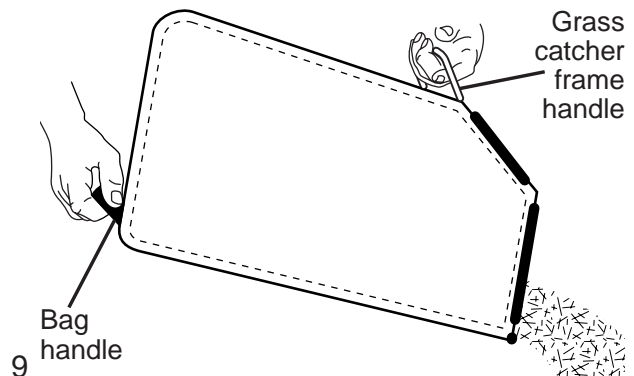


## TO EMPTY GRASS CATCHER

1. Lift up on grass catcher using the frame handle.
2. Remove grass catcher with clippings from under lawn mower handle.
3. Empty clippings from bag.

**NOTE:** Do not drag the bag when emptying. It will cause unnecessary wear.

**CAUTION:** Under normal usage, the catcher material is subject to deterioration and wear and should, therefore, be checked frequently for replacement. Any replacement catcher should be checked to ensure compliance with original manufacturer's specifications.



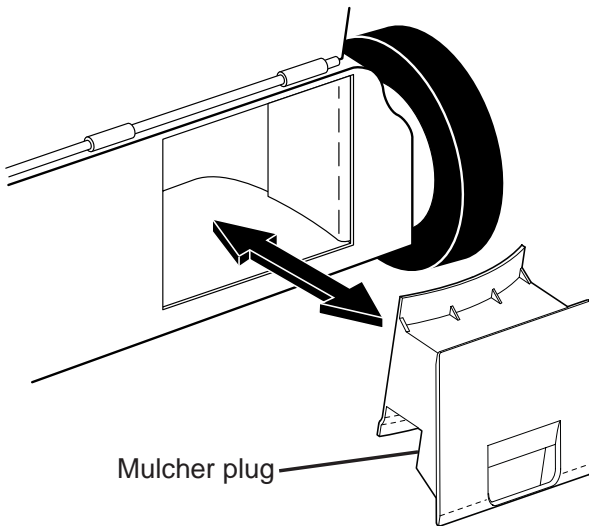
# OPERATION

## TO CONVERT MOWER

Your lawn mower was shipped ready to be used as a mulcher. To convert to bagging or discharging:

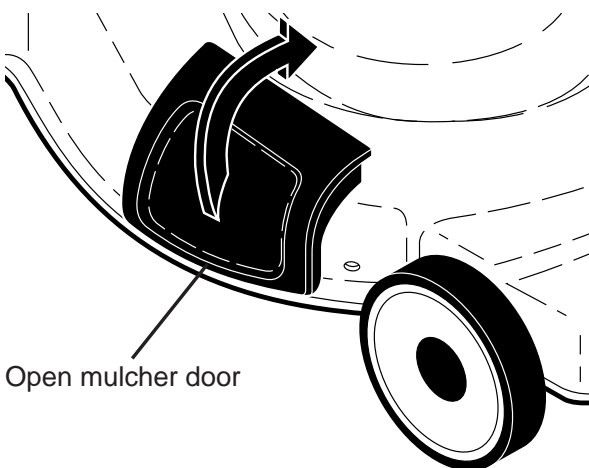
### REAR BAGGING

- Open rear door and remove mulcher plug. Store mulcher plug in a safe place.
- You can now install grass catcher.
- To convert to mulching or discharging operation, install mulcher plug into rear discharge opening of mower.

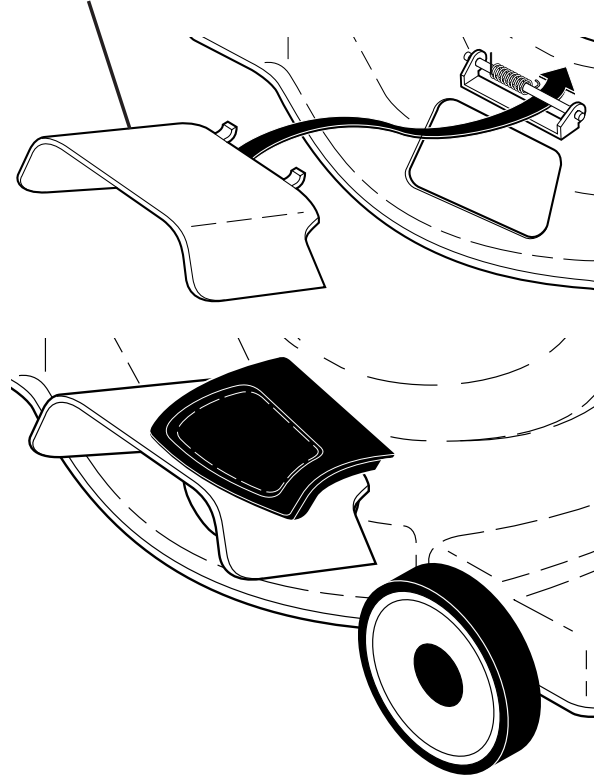


### SIDE DISCHARGING

- Mulcher plug must be installed into rear discharge opening of mower (see above instructions).
- Open mulcher door and install discharge deflector under door as shown.
- Mower is now ready for discharging operation.
- To convert to mulching or bagging operation, discharge deflector must be removed and mulcher door must be closed.



### Discharge deflector



## SIMPLE STEPS TO REMEMBER WHEN CONVERTING YOUR LAWN MOWER:

### FOR MULCHING -

- Rear mulcher plug installed and rear door closed.
- Mulcher door closed.

### FOR REAR BAGGING -

- Rear mulcher plug removed.
- Grass catcher installed.
- Mulcher door closed.

### FOR SIDE DISCHARGING -

- Rear mulcher plug installed and rear door closed.
- Discharge deflector installed.

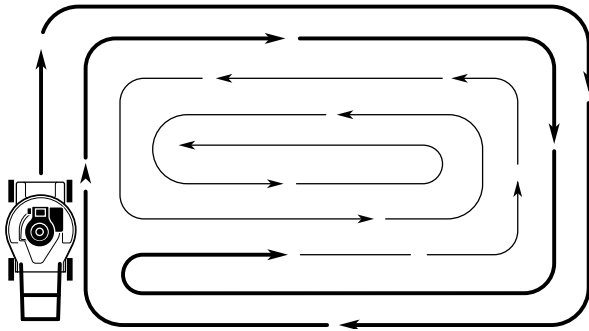
**⚠CAUTION:** Do not run your lawn mower without rear mulcher plug or approved grass catcher in place. Never attempt to operate the lawn mower with the rear door removed or propped open.

# OPERATION

## MOWING TIPS

**⚠ CAUTION:** Do not use de-thatcher blade attachments on your mower. Such attachments are hazardous, will damage your mower and could void your warranty.

- Under certain conditions, such as when mowing very tall grass, raise the mower height on the first cut to reduce pushing effort, to avoid overheating the motor, and to avoid leaving clumps of grass clippings. Make the second cut to the desired height.
- For extremely heavy cutting, reduce the width of cut.
- For side discharge operation, cut in a counterclockwise direction, starting at the outside of the area to be cut, in order to spread grass clippings more evenly and to put less load on the motor. To keep clippings off of walkways, flower beds, etc., make the first cuts in a clockwise direction.



- When using a lawn mower in moist, heavy grass, clumps of cut grass may not enter the grass catcher. Reduce ground speed (pushing speed) and/or run the lawn mower over the area a second time.
- If a trail of grass clipping is left on the right side of the lawn mower during rear discharge operation, mow in a clockwise direction with a small overlap to collect the clippings on the next pass.
- Pores in cloth grass catchers can become filled with dirt and dust with use and the catcher will collect less grass. To prevent this, regularly hose catcher off with water and let dry before use.

## MULCHING MOWING TIPS

**IMPORTANT:** For best performance, keep mower housing free of built-up grass and trash. See "CLEANING" in the Maintenance section of this manual.

- The special mulching blade will recut the grass clippings many times and reduce them in size so that as they fall onto the lawn they will disperse into the grass and not be noticed. Also, the mulched grass will biodegrade quickly to provide nutrients for the lawn. Always mulch with your highest motor (blade) speed as this will provide the best recutting action of the blades.
- Avoid cutting your lawn when it is wet. Wet grass tends to form clumps and interferes with the mulching action.
- For best results, adjust the lawn mower cutting height so that the lawn mower cuts off only the top one-third of the grass blades. If the lawn is overgrown it will be necessary to raise the height of cut to reduce pushing effort and to keep from overloading the motor and leaving clumps of mulched grass. For extremely heavy grass, reduce your width of cut by overlapping previously cut path and mow slowly.



- Certain types of grass and grass conditions may require that an area be mulched a second time to completely hide the clippings. When doing a second cut, mow across (perpendicular) to the first cut path.
- Change your cutting pattern from week to week. Mow north to south one week then change to east to west the next week. This will help prevent matting and graining of the lawn.

# MAINTENANCE

<b>MAINTENANCE SCHEDULE</b>	<b>BEFORE EACH USE</b>	<b>AFTER EACH USE</b>	<b>EVERY 10 HOURS</b>	<b>EVERY 25 HOURS OR SEASON</b>	<b>BEFORE STORAGE</b>
Check for Loose Fasteners	✓				✓
Clean / Inspect Grass Catcher	✓	✓			✓
Check Tires	✓				
Clean Lawn Mower *		✓			✓
Check / Sharpen / Replace Blade **				✓	
Lubrication				✓	
Recharge Battery		✓			✓

\* Use a scraper to clean under deck

\*\* Replace blades more often when mowing in sandy soil

## GENERAL RECOMMENDATIONS

The warranty on this lawn mower does not cover items that have been subjected to operator abuse or negligence. To receive full value from the warranty, operator must maintain mower as instructed in this manual.

Some adjustments will need to be made periodically to properly maintain your unit. All adjustments in the Service and Adjustments section of this manual should be checked at least once each season.

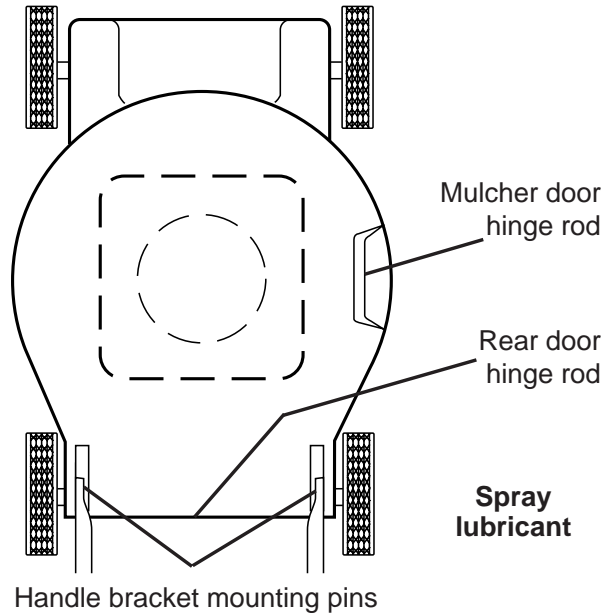
- Once a year, check blade for wear.
- Follow the Maintenance Schedule in this manual.

## BEFORE EACH USE

- Check for loose fasteners.
- Charge the battery. The three green LEDs on the battery will light when the battery is fully charged.

## LUBRICATION

Keep unit well lubricated



**IMPORTANT:** Do not oil or grease plastic wheel bearings. Viscous lubricants will attract dust and dirt that will shorten the life of the self-lubricating bearings. If you feel they must be lubricated, use only a dry, powdered graphite type lubricant sparingly.

# MAINTENANCE

## LAWN MOWER

Always observe safety rules when performing any maintenance.

**IMPORTANT:** Remove battery from mower before servicing, cleaning or removing material from lawn mower.

## TIRES

- Keep tires free of gasoline, oil, or insect control chemicals which can harm rubber.
- Avoid stumps, stones, deep ruts, sharp objects and other hazards that may cause tire damage.

## BLADE CARE

For best results, blade must be kept sharp. Replace a bent or damaged blade.

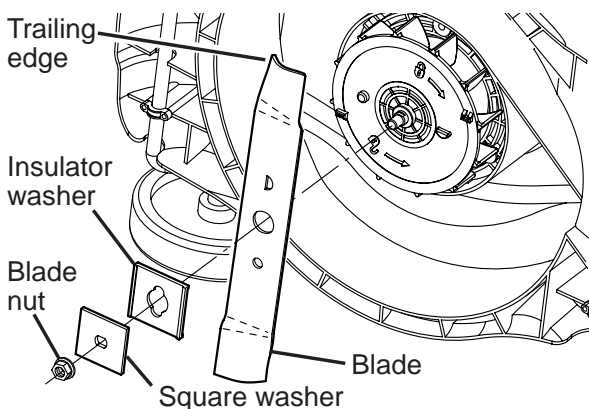
**⚠ CAUTION:** Use only a replacement blade approved by the manufacturer of your mower. Using a blade not approved by the manufacturer of your mower is hazardous, could damage your mower and void your warranty.

### TO REMOVE BLADE

1. Use a wood block between blade and mower housing to prevent blade from turning when removing blade nut.

**NOTE:** Protect your hands with gloves and/or wrap blade with heavy cloth.

2. Remove blade nut by turning counter-clockwise.
3. Remove blade and attaching hardware (nut, square washer, insulator washer).



### TO REPLACE BLADE

1. Be sure the trailing edge of blade (opposite sharp edge) is up toward the motor.
  2. Install the square washer and insulated washer; secure with blade nut.
  3. Use block of wood between blade and lawn mower housing and tighten the blade nut, turning clockwise.
- The recommended tightening torque is 35-40 ft. lbs.

### TO SHARPEN BLADE

**NOTE:** We do not recommend sharpening blade. An unbalanced blade will cause eventual damage to lawn mower or motor.

## CLEANING

**⚠ WARNING:** To reduce the risk of electric shock, do not expose the mower to water.

**IMPORTANT:** For best performance, keep mower housing free of grass build-up and trash. Clean the underside of your mower after each use.

- Clean the underside of your lawn mower by scraping to remove buildup of grass and trash.
- Clean motor cover often to keep trash from accumulating.
- Keep finished surfaces and wheels free of all gasoline, oil, etc.

## GRASS CATCHER

Grass catcher may be hosed with water but must be dry when used.

**⚠ CAUTION:** Under normal usage, the catcher material is subject to deterioration and wear and should therefore be checked to ensure compliance with original manufacturer specifications.



## STORAGE

Immediately prepare your lawn mower for storage at the end of the season or if the unit will not be used for 30 days or more.

### LAWN MOWER

When lawn mower is to be stored for a period of time, clean it thoroughly, remove all dirt, grease, leaves, etc. Store in a clean, dry area.

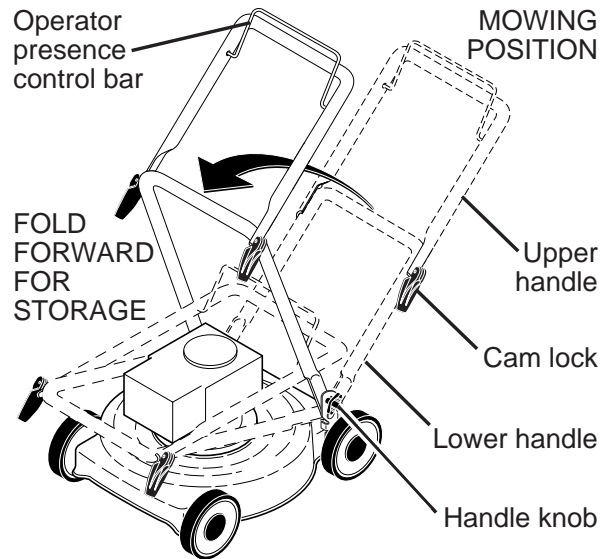
- Clean entire lawn mower (See “CLEANING” in the Maintenance section of this manual).
- Lubricate as shown in the Maintenance section of this manual.
- Be sure that all nuts, bolts, screws, and pins are securely fastened. Inspect moving parts for damage, breakage and wear. Replace if necessary.
- Touch up all rusted or chipped paint surfaces; sand lightly before painting.

### HANDLE

You can fold your lawn mower handle for storage.

1. Loosen the two cam locks on sides of the upper handle and allow handle to fold down to the rear.
  2. Loosen the two handle knobs on sides of the lower handle, lift the sides of the lower handle past the edges of the handle brackets and pivot entire handle assembly forward and allow it to rest on mower.
- When setting up your handle from the storage position, the lower handle will require manually locking into the mowing position.

**IMPORTANT:** When folding the handle for storage or transportation, be sure to fold the handle as shown or you may damage the control cables.



### BATTERY

**IMPORTANT:** Battery should always be stored in a fully charged state. Charge every two weeks, even when not in use. (See “To Prepare Battery” in the Assembly section of this manual.)

**WARNING:** Do not store battery in temperatures lower than 32° F (0° C).

### OTHER

- If possible, store your unit indoors and cover it to protect it from dust and dirt.
- Cover your unit with a suitable protective cover that does not retain moisture. Do not use plastic. Plastic cannot breathe, which allows condensation to form and will cause your unit to rust.

## TROUBLESHOOTING

PROBLEM	CAUSE	CORRECTION
<b>Does not start</b>	<ol style="list-style-type: none"> <li>1. Start button not depressed.</li> <li>2. Battery not properly seated.</li> <li>3. Weak Battery.</li> <li>4. Loose blade or broken blade adapter.</li> <li>5. Operator presence control bar in released position.</li> <li>6. Operator presence control bar defective.</li> </ol>	<ol style="list-style-type: none"> <li>1. Press start button and hold down operator presence control bar to handle.</li> <li>2. Reinstall battery.</li> <li>3. Remove battery and charge.</li> <li>4. Tighten blade bolt or replace blade adapter.</li> <li>5. Press start button and hold down operator presence control bar to handle.</li> <li>6. Replace operator presence control bar.</li> </ol>
<b>Loss of power</b>	<ol style="list-style-type: none"> <li>1. Rear of lawn mower housing or cutting blade dragging in heavy grass.</li> <li>2. Cutting too much grass.</li> <li>3. Buildup of grass, leaves, and trash under mower.</li> <li>4. Walking speed too fast.</li> </ol>	<ol style="list-style-type: none"> <li>1. Raise cutting height.</li> <li>2. Raise cutting height.</li> <li>3. Clean underside of mower housing.</li> <li>4. Cut at slower walking speed.</li> </ol>
<b>Poor cut – uneven</b>	<ol style="list-style-type: none"> <li>1. Worn, bent or loose blade.</li> <li>2. Buildup of grass, leaves and trash under mower.</li> <li>3. Weak Battery.</li> </ol>	<ol style="list-style-type: none"> <li>1. Replace blade. Tighten blade bolt.</li> <li>2. Clean underside of mower housing.</li> <li>3. Remove battery and charge.</li> </ol>
<b>Excessive vibration</b>	<ol style="list-style-type: none"> <li>1. Worn, bent or loose blade.</li> </ol>	<ol style="list-style-type: none"> <li>1. Replace blade. Tighten blade bolt.</li> </ol>
<b>Motor runs only briefly</b>	<ol style="list-style-type: none"> <li>1. Weak Battery.</li> </ol>	<ol style="list-style-type: none"> <li>1. Remove battery and charge.</li> </ol>
<b>Grass catcher not filling (If so equipped)</b>	<ol style="list-style-type: none"> <li>1. Cutting height too low.</li> <li>2. Lift on blade worn off.</li> <li>3. Catcher not venting air.</li> </ol>	<ol style="list-style-type: none"> <li>1. Raise cutting height.</li> <li>2. Replace blade.</li> <li>3. Clean grass catcher.</li> </ol>
<b>Hard to push</b>	<ol style="list-style-type: none"> <li>1. Grass is too high or wheel height is too low.</li> <li>2. Lawn mower housing or cutting blade dragging in grass.</li> <li>3. Grass catcher too full.</li> <li>4. Handle height position not right for you.</li> </ol>	<ol style="list-style-type: none"> <li>1. Raise cutting height.</li> <li>2. Raise lawn mower housing one (1) setting higher.</li> <li>3. Empty grass catcher.</li> <li>4. Adjust handle height to suit.</li> </ol>

# WEED EATER®

## LIMITED WARRANTY

The Manufacturer warrants to the original consumer purchaser that this product as manufactured is free from defects in materials and workmanship. For a period of two (2) years from date of purchase by the original consumer purchaser, we will repair or replace, at our option, without charge for parts or labor incurred in replacing parts, any part which we find to be defective due to materials or workmanship. This Warranty is subject to the following limitations and exclusions.

1. This warranty does not apply to the engine, transaxle/transmission components, battery (except as noted below) or components parts thereof. Please refer to the applicable manufacturer's warranty on these items.
2. Transportation charges for the movement of any power equipment unit or attachment are the responsibility of the purchaser. Transportation charges for any parts submitted for replacement under this warranty must be paid by the purchaser unless such return is requested by the manufacturer.
3. Battery Warranty: On products equipped with a Battery, we will replace, without charge to you, any battery which we find to be defective in manufacture, during the first ninety (90) days of ownership. After ninety (90) days, we will exchange the Battery, charging you 1/12 of the price of a new Battery for each full month from the date of the original sale. Battery must be maintained in accordance with the instructions furnished.
4. The Warranty period for any products used for rental or commercial purposes is limited to 45 days from the date of original purchase.
5. This Warranty applies only to products which have been properly assembled, adjusted, operated, and maintained in accordance with the instructions furnished. This Warranty does not apply to any product which has been subjected to alteration, misuse, abuse, improper assembly or installation, delivery damage, or to normal wear of the product.
6. Exclusions: Excluded from this Warranty are belts, blades, blade adapters, normal wear, normal adjustments, standard hardware and normal maintenance.
7. In the event you have a claim under this Warranty, you must return the product to an authorized service dealer.

Should you have any unanswered questions concerning this Warranty, contact:

Weed Eater  
Customer Service Department  
9335 Harris Corners Parkway  
Charlotte, NC 28269 USA

In Canada contact:  
Weed Eater  
Customer Service Department  
5855 Terry Fox Way  
Mississauga, Ontario L5V 3E4

giving the model number, serial number and date of purchase of your product and the name and address of the authorized dealer from whom it was purchased.

**THIS WARRANTY DOES NOT APPLY TO INCIDENTAL OR CONSEQUENTIAL DAMAGES AND ANY IMPLIED WARRANTIES ARE LIMITED TO THE SAME TIME PERIODS STATED HEREIN FOR OUR EXPRESSED WARRANTIES.**

Some areas do not allow the limitation of consequential damages or limitations of how long an implied Warranty may last, so the above limitations or exclusions may not apply to you. This Warranty gives you specific legal rights, and you may have other rights which vary from locale to locale.

This is a limited Warranty within the meaning of that term as defined in the Magnuson-Moss Act of 1975.