



PRO

A.O. Smith Pro Residential Water Filtration

2-Stage Drinking Water Filter

AOW-2000

Optimally clean water for all of your water needs straight from a dedicated faucet. Reduce up to 99% of 77 harmful contaminants including lead, mercury, asbestos, pesticides, pharmaceuticals, chlorine and chloramines.

- Reduce up to 99% of 77 contaminants
- Two-stage Claryum filtration provides access to clean, filtered water whenever you need it
- Install your system and change your filters with ease
- Brushed Nickel, All Metal Faucet
- Conforms to NSF/ANSI standards 42, 53, 401, & P473
- No electricity required

Reduces Up To
99% of 77
Contaminants

INCLUDING
lead, mercury, asbestos,
pesticides, pharmaceuticals,
chlorine and chloramines.

PLUS



Claryum®
Filtration Technology

PART # 100314966
UPC: 811640030346



**GOOD
PERFORMANCE**



1 Year Limited
Warranty



Each filter lasts
6 months or
500 gallons

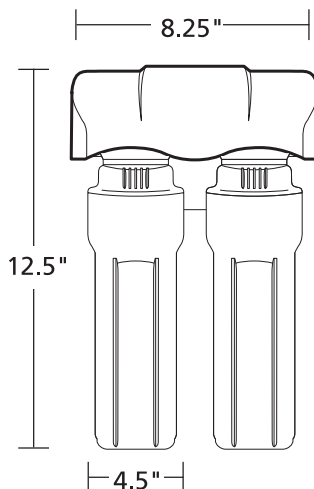
Specifications

AOW-2000	
Flow Rate	.5 GPM
Capacity	500 gal
Min Pressure	20 psi
Max Pressure	80 psi
Min Temperature	40° F (4° C)
Max Temperature	90° F (32° C)
Cold Water Line*	Yes
Certification #'s	42, 53, 401 and P473
Certifier	NSF
Dims	8.25" x 4.5" x 12.5"
Warranty	1 year

*Used on cold water line only. Will not filter hot water.

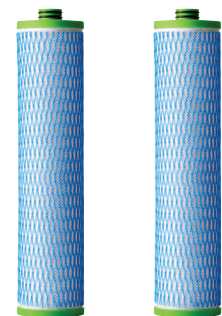
Installation Location

Fits under sink



Replacements

- 2-pack Claryum
- Replace every 6 months or 500 gallons



PART # 100315002
UPC: 811640030384

A.O. Smith Pro Residential Water Filtration

2-Stage Drinking Water Filter

AOW-2000

Performance Data Sheet for the A. O. Smith Under Counter Water Filter					
Models	Replacement	Operating pressure range	Rated capacity	Operating temp. range	Rated flow
AOW-2000	AOW-2000-R	20-80 psi 137-551 kPa	500 gallons 1892 Liters	40-90° F 4.44-32.2° C	.05 gpm 1.89 lpm
Manufactured by: A. O. Smith Corporation 11270 West Park Place Milwaukee, WI 53224 833.232.9711					

Testing Performed under NSF/ANSI Standards 42 and 53 and in accordance with the California Department of Health Services Drinking Water Treatment Device Program. This system has been tested according to NSF/ANSI 42, 53, 401 & P473 for reduction of the substances listed below. The concentration of the indicated substances in water entering the system was reduced to a concentration less than or equal to the permissible limit for water leaving the system, as specified in NSF/ANSI 42, 53, 401 & P473.

NSF/ANSI 42	Min Reduction	Overall % Reduction	Results
Chlorine Reduction, Free Available	<0.5 mg/l	97.66%	Pass
Chloramine Reduction, Free Available	<0.5 mg/l	97.66%	Pass
Particulate Reduction	85%	99.9%	Pass

NSF/ANSI 53	Min Reduction	Overall % Reduction	Results
Cyst Live Cryptosporidium & Giardia	99.95%	>99.99%	Pass
Mercury Reduction pH 8.5	<2 ug/L	>95%	Pass
Mercury Reduction pH 6.5	<2 ug/L	>96.5%	Pass
Lead Reduction pH 6.5	<10 ug/L	>99.4%	Pass
Lead Reduction pH 8.5	<10 ug/L	>99.3%	Pass
MTBE Reduction	<5 ug/L	86.6%	Pass
Turbidity	<0.5 NTU	99.1%	Pass
VOC Surrogate Test	95%	99.4%	Pass
Asbestos	99%	>99%	Pass

NSF/ANSI 401	Maximum Concentration	Minimum Reduction	Overall % Reduction	Results
Atenolol	30 ng/L	94.2%	94.2%	Pass
Bisphenol A	300 ng/L	98.80%	98.9%	Pass
Carbamazepine	200 ng/L	98.6%	98.6%	Pass
DEET	200 ng/L	98.7%	98.7%	Pass
Estrone	20 ng/L	96.30%	96.5%	Pass
Ibuprofen	60 ng/L	95.3%	95.4%	Pass
Linuron	20 ng/L	96.6%	96.6%	Pass
Meprobamate	60 ng/L	94.7%	94.7%	Pass
Metolachlor	200 ng/L	98.6%	98.6%	Pass
Naproxen	20 ng/L	96.3%	96.4%	Pass
Nonyl phenol	200 ng/L	97.50%	97.5%	Pass
Phenytoin	30 ng/L	95.50%	95.6%	Pass
TCEP	700 ng/L	98%	98%	Pass
TCPP	700 ng/L	97.8%	97.8%	Pass
Trimethoprim	20 ng/L	96.7%	96.7%	Pass

NSF P473	Influent challenge concentration	Maximum permissible concentration	Overall % reduction	Results
Perfluorooctanoic acid (PFOA) & Perfluorooctane sulfonate (PFOS)	1.5 ±10% ug/L	0.07 ug/L	96 %	Pass



System Tested and Certified by NSF International against NSF/ANSI Standard 42, 53 & 401 and conforms to NSF protocol P473 for reduction of claims specified on the Performance Data Sheet and at www.nsf.org.

All contaminants reduced by this filter are listed. Not all contaminants listed may be present in your water. Does not remove all contaminants that may be present in tap water.

- Filter is only to be used with cold water.
- Filter usage must comply with all state and local laws.
- Testing was performed under standard laboratory conditions, actual performance may vary.

- Systems certified for cyst reduction may be used on disinfected waters that may contain filterable cysts.
- See owner's manual for general installation conditions and needs plus manufacturer's limited warranty.

Organic chemicals included by surrogate testing					
VOCs (by surrogate testing using chloroform)	Drinking water regulatory level (MCL/MAC) mg/L	Influent/Unfiltered	Effluent/Filtered	Percent Reduction	
alachlor	0.002	0.050	0.001	>	98%
atrazine	0.003	0.100	0.003	>	97%
benzene	0.005	0.081	0.001	>	99%
carbofuran	0.04	0.190	0.001	>	99%
carbon tetrachloride	0.005	0.078	0.0018	>	98%
chlorobenzene	0.1	0.077	0.001	>	99%
chloropicrin	—	0.015	0.0002	>	99%
2,4-D	0.07	0.110	0.0017	>	98%
dibromochloropropane (DBCP)	0.0002	0.052	0.00002	>	99%
o-dichlorobenzene	0.6	0.080	0.001	>	99%
p-dichlorobenzene	0.075	0.040	0.001	>	98%
1,2-dichloroethane	0.005	0.088	0.0048	>	95%
1,1-dichloroethylene	0.007	0.083	0.001	>	99%
cis-1,2-dichloroethylene	0.07	0.170	0.0005	>	99%
trans-1,2-dichloroethylene	0.1	0.086	0.001	>	99%
1,2-dichloropropane	0.005	0.080	0.001	>	99%
cis-1,3-dichloropropylene	—	0.079	0.001	>	99%
dinoseb	0.007	0.170	0.0002	>	99%
endrin	0.002	0.053	0.00059	>	99%
ethylbenzene	0.7	0.088	0.001	>	99%
ethylene dibromide (EDB)	0.00005	0.044	0.00002	>	99%
haloacetonitriles (HAN)					
bromochloroacetonitrile	—	0.022	0.0005	>	98%
dibromoacetonitrile	—	0.024	0.0006	>	98%
dichloroacetonitrile	—	0.0096	0.0002	>	98%
trichloroacetonitrile	—	0.015	0.0003	>	98%
haloketones (HK)					
1,1-dichloro-2-propanone	—	0.0072	0.0001	>	99%
1,1,1-trichloro-2-propanone	—	0.0082	0.0003	>	96%
heptachlor (H-34, Heptox)	0.0004	0.025	0.00001	>	99%
heptachlor epoxide	0.0002	0.0107	0.0002	>	98%
hexachlorobutadiene	—	0.044	0.001	>	98%
hexachlorocyclopentadiene	0.05	0.060	0.000002	>	99%
lindane	0.0002	0.055	0.00001	>	99%
methoxychlor	0.04	0.050	0.0001	>	99%
pentachlorophenol	0.001	0.096	0.001	>	99%
simazine	0.004	0.120	0.004	>	97%
styrene	0.1	0.150	0.0005	>	99%
1,1,2,2-tetrachloroethane	—	0.081	0.001	>	99%
tetrachloroethylene	0.005	0.081	0.001	>	99%
toluene	1	0.078	0.001	>	99%
2,4,5-TP (silvex)	0.05	0.270	0.0016	>	99%
tribromoacetic acid	—	0.042	0.001	>	98%
1,2,4-trichlorobenzene	0.07	0.160	0.0005	>	99%
1,1,1-trichloroethane	0.2	0.084	0.0046	>	95%
1,1,2-trichloroethane	0.005	0.150	0.0005	>	99%
trichloroethylene	0.005	0.180	0.0010	>	99%
trihalomethanes (THMs)					
bromodichloromethane (THM)	0.080	0.300	0.015	95%	Percent Reduction
bromoform (THM)					
chloroform (THM)					
chlorodibromomethane (THM)					
xylenes (total)	10	0.070	0.001	>	99%



For use with municipally treated water only. Do not use with water that is microbiologically unsafe or of unknown water quality without adequate disinfection before or after the system.