

Inverter Driven Heat Pump

9,000 BTU Single Zone Compact Cassette

Job Name _____
 Location _____
 Engineer _____
 Submitted To _____
 Submitted By _____
 Reference _____

Date _____
 Approval _____
 Construction _____
 Unit No _____
 Drawing No _____

PRODUCT FEATURES

- 24 hr. Timer/Weekly Timer
- Auto louver: Up/Down
- Auto Mode
- Auto Changeover
- Daisy Chain Compatible
- Built-in Condensate Pump
- Auto Restart
- Economy Mode
- Auto Fan Mode



MODEL NUMBERS	
Indoor Unit	ACUH09LUAS1
Outdoor Unit	AOUH09LUAS1
System	09LUAS1C
EFFICIENCIES	
SEER	22.5
SEER 2	23.5
EER	13.6
EER 2	13.6
HSPF	12.5
HSPF 2	11.8
COP	3.78
COP	12.9
COP2	3.78
COP2	12.9

OUTDOOR TEMPERATURE OPERATION RANGE	
Cooling	14 to 115 (-10 to 46)
Heating	-5 to 75 (-21 to 24)

CAPACITIES			
Cooling	Rated	Btu/h	9000
	Min.-Max.		3,100-11,000
Heating	Rated	Btu/h	12000
	Min.-Max.		3,100-16,000

LINESET REQUIREMENTS			
Connection Method		Flare	
Liquid	in (mm)	Ø 1/4 (Ø 6.35)	
Gas	in (mm)	Ø 3/8 (Ø 9.52)	
Pre-charge length	ft (m)	49 (15)	
Minimum Length		16 (5)	
Max. length		66 (20)	
Max. height difference		49 (15)	

INDOOR DIMENSIONS & WEIGHT		
Net (H x W x D)	in (mm)	9-5/8 x 22-7/16 x 22-7/16 (245 x 570 x 570)
Gross (H x W x D)	in (mm)	10-7/16 x 28-3/4 x 24-5/8 (265 x 730 x 625)
Net Weight	lb (kg)	33 (15)
Gross Weight	lb (kg)	40 (18)

OUTDOOR DIMENSIONS & WEIGHT		
Net (H x W x D)	in (mm)	21-5/16 x 31-7/16 x 11-7/16 (542 x 799 x 290)
Gross (H x W x D)	in (mm)	23-11/16 x 37 x 14-3/4 (602 x 940 x 375)
Net Weight	lb (kg)	71 (32)
Gross Weight	lb (kg)	77 (35)

Warranty Information



7 Year Compressor, 5 Year Parts out-of-the-box Warranty

10 Year Compressor, 10 Year Parts Warranty when registered within 60 days of installation in a residence

12 Year Compressor, 12 Year Parts Warranty when registered within 60 days of installation in a residence, and installed by a Fujitsu Elite contractor

ACCESSORIES

UTY-RNRUZ*	Wired Remote Controller
UTY-RSRY	Simple Remote Controller
UTY-RHRY	Simple Remote Controller
UTY-LNTU	Wireless Remote Controller
UTY-XWZXZG	External Connect Kit
UTR-YDZB	Air Outlet Shutter Plate
UTZ-VXAA	Fresh Air Intake Kit
UTZ-KXGC	Insulation for High Humidity
UTY-XCSX	External Input and Output PCB
UTZ-GXEA	External Input and Output PCB Box
UTY-TFSXZ2	WLAN Adapter
UTY-VMSX	Modbus Converter
UTG-CCGFGA	Cassette Grille
UTY-TTRXZ1	Thermostat Converter
UTY-VTGX	Network Converter
UTY-VTGXV	Network Converter (AC power supply)
UTY-TERX	External Switch Controller



This system combination is Energy Star qualified

Due to continuous product improvements, specifications are subject to change without notice. Please log in to the Fujitsu Portal for the most up-to-date documentation <https://connect.fujitsugeneral.com>

Effective Date: 12/14/2022

Inverter Driven Heat Pump

9,000 BTU Single Zone Compact Cassette

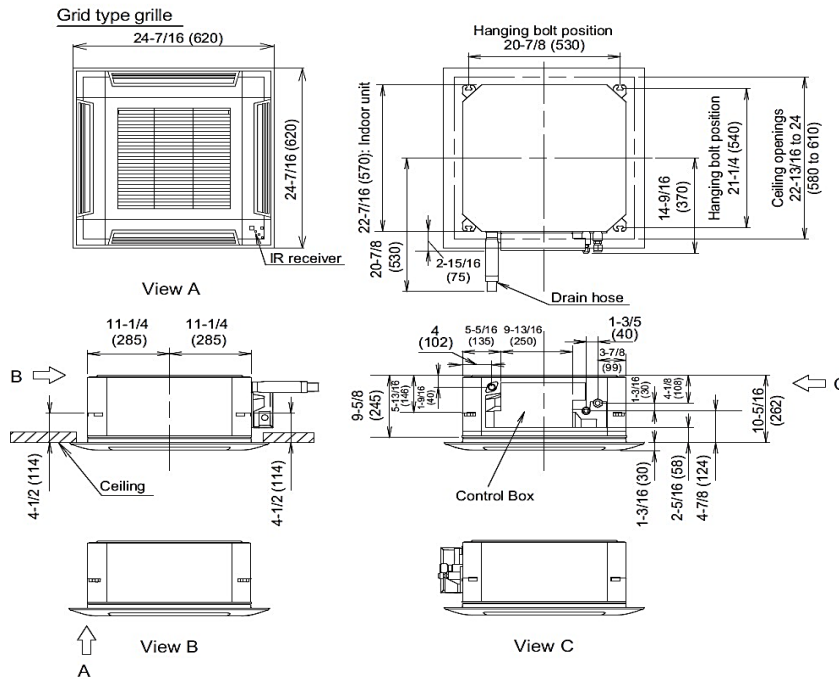
FAN DATA				
Indoor Unit Airflow rate	Cooling	HIGH	CFM (m3/h)	318 (540)
		MED		288 (490)
		LOW		259 (440)
		QUIET		230 (390)
	Heating	HIGH		318 (540)
		MED		288 (490)
		LOW		259 (440)
		QUIET		230 (390)
Outdoor Unit Airflow rate	Cooling		906 (1,540)	
	Heating		906 (1,540)	
SOUND PRESSURE				
Indoor Unit	Cooling	HIGH	dB (A)	33
		MED		32
		LOW		29
		QUIET		28
	Heating	HIGH		34
		MED		32
		LOW		29
		QUIET		27
Outdoor Unit	Cooling		44	
	Heating		48	
REFRIGERANT				
Type				R410A
Charge	lb oz			2lbs.3oz.
	g			1000
Oil Type				RB68A

ELECTRICAL SPECIFICATIONS				
Voltage/Frequency/Phase		208/230 V ~ 60 Hz		
Available Voltage Range		187-253 V		
Current	Cooling	Rated	A	3.3
	Heating	Rated		4.6
Maximum Operating Current		Cooling		6.8
		Heating		9.3
Starting current		4.6		
MCA		9.3		
Maximum Circuit Breaker		15		
Input Power	Cooling	Rated	kW	0.66
		Max.		1.05
	Heating	Rated		0.93
		Max.		1.72
Power Factor	Cooling	%		87
	Heating			86
OTHER				
Moisture Removal		pints/h (L/h)	1.3 (0.6)	
Energy Star		Yes		
Drain hose	Material		LDPE	
	Tip diameter	in (mm)	Ø1 (Ø25.0) [I.D.] Ø1-1/4 (Ø32.0) [O.D.]	
Operation Range	Cooling	°F (°C)	64 to 90 (18 to 32)	
		%RH	80 or less	
	Heating	°F (°C)	60 to 86 (16 to 30)	

DIMENSIONS:

Indoor Unit

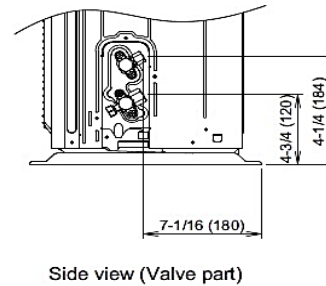
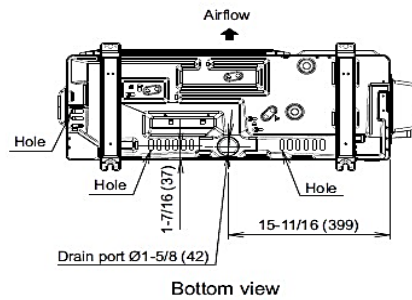
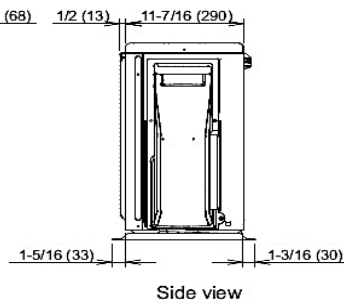
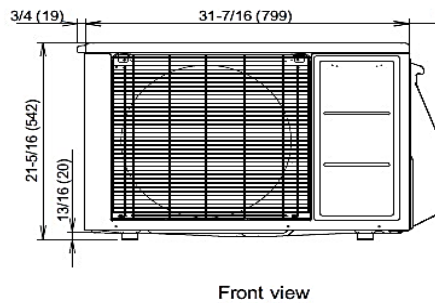
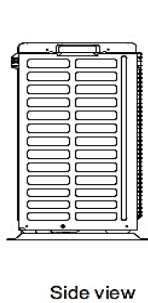
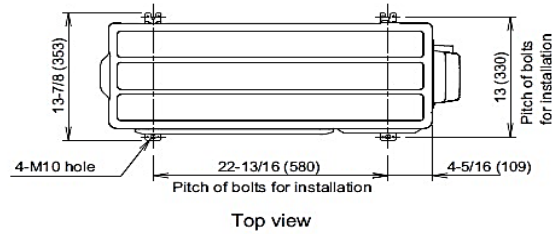
Units: In. (mm)



DIMENSIONS

Units: In. (mm)

Outdoor Unit



The Fujitsu logo is a worldwide trademark of Fujitsu General Limited. The Airstage logo and name is a worldwide trademark of Fujitsu General Limited and is a registered trademark in Japan, the USA and other countries or areas. Copyright 2022 Fujitsu General America, Inc. Fujitsu's products are subject to continuous improvements. Fujitsu reserves the right to modify product design, specifications and information in this brochure without notice and without incurring any obligations.

Note: Specifications are based on the following conditions:
 Cooling: Indoor temperature of 80°F (26.7°C) DB/67°F (19.4°C) WB, and outdoor temperature of 95°F (35°C) DB/75°F (23.9°C) WB. Heating: Indoor temperature of 70°F (21.1°C) DB/60°F (15.6°C) WB, and outdoor temperature of 47°F (8.3°C) DB/43°F (6.1°C) WB. Pipe length: 25ft. (7.5m), Height difference: 0ft. (0m) (Outdoor unit - indoor unit).