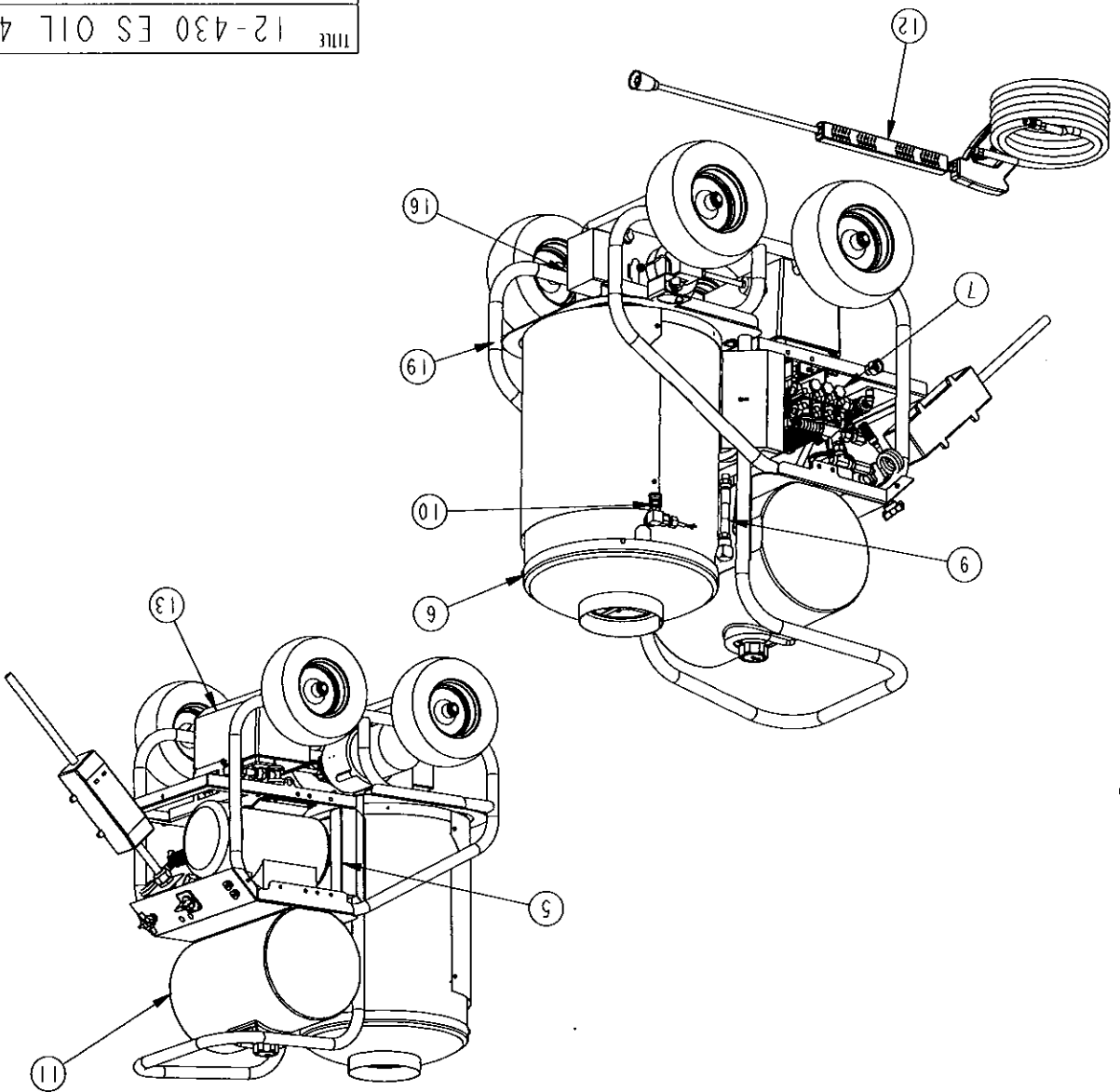


TITLE	12-430 ES OIL 4-WHEEL
DESCRIPTION	230V 1PH 8HP AR
DATE	10-Jun-09
DWG#	A01-5025-2



NOTE: SOME ITEMS NOT SHOWN FOR CLARITY

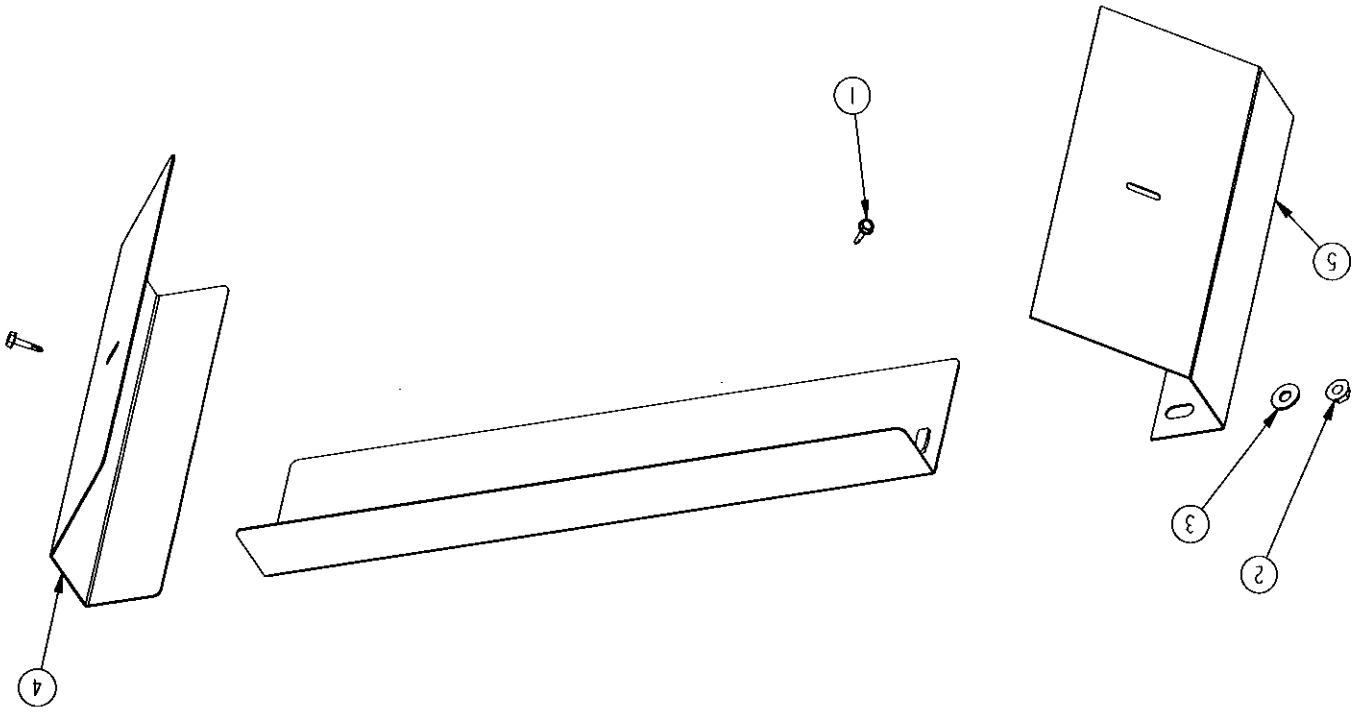
ITEM QTY	PART DESCRIPTION	PART \ DRW#
11	FUEL TANK ASSY	E01-5000-1
12	GUN & PRESSURE HOSE ASS'Y	E01-6001-1
13	FLOAT TANK ASSEMBLY	E01-6003-2
14	WIRING DIAGRAM	F01-6001-1
15	PANEL ASSEMBLY	F01-6002-1
16	BURNER ASS'Y	G01-6004
17	DECAL GROUP	I01-6000-1
18	PACKAGING ASSEMBLY	J01-5000
19	MACHINE SUB-ASSEMBLY	X01-6003-1

BILL OF MATERIALS

ITEM QTY	PART DESCRIPTION	PART \ DRW#
1	POP RIVET	02-522200
2	WASH JET	06-415045-1
3	WASH JET	06-425045-1
4	SPECIFICATIONS TAG	26-101003
5	BELT GUARD ASSY	B01-3012-1
6	HEAT CHAMBER ASS'Y	B01-6015-3
7	PUMP ASSEMBLY	C01-6000
8	DRIVE ASSEMBLY	D01-6000-1
9	COIL INLET ASS'Y	E01-3022
10	COIL OUTLET ASS'Y	E01-4007

BILL OF MATERIALS

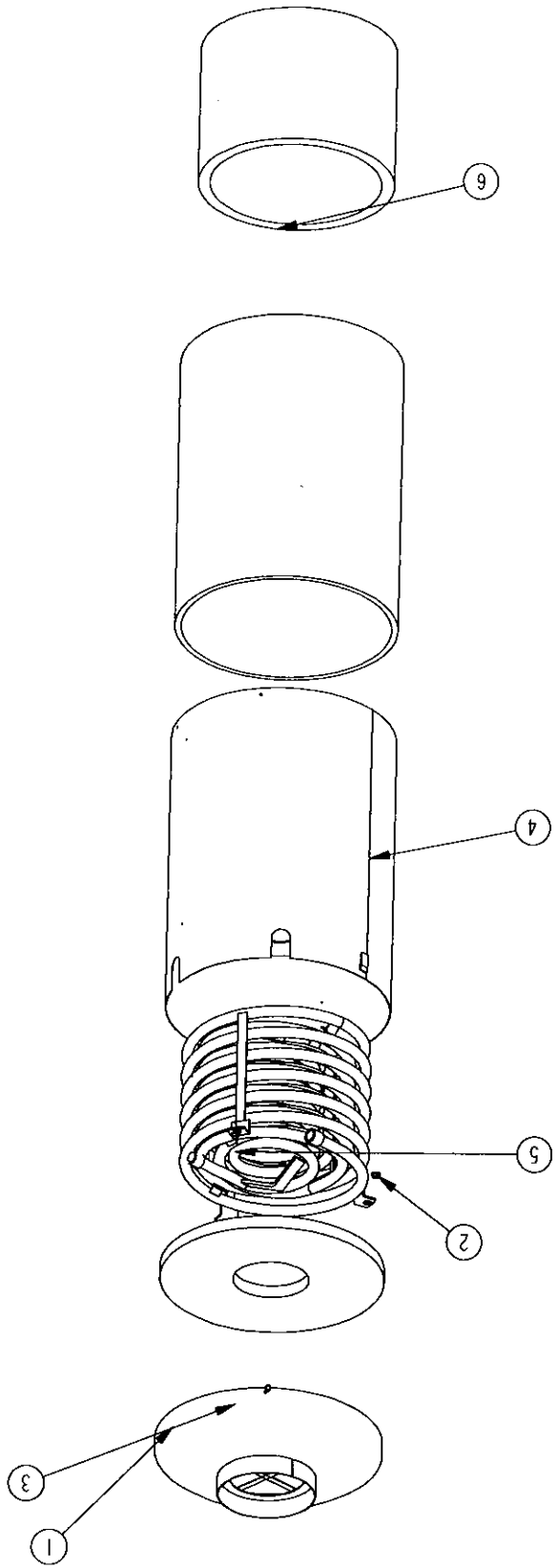
BILL OF MATERIALS			
ITEM QTY	PART DESCRIPTION	PART \ DRW#	
1	SCREW	02-101400	
2	NUT	02-301100	
3	WASHER	02-501100	
4	BELT GUARD WELDMENT	B01-3011-1	
5	BELT GUARD END	B01-3050-1	



TITLE	BELT GUARD ASSY
DESCRIPTION	SENIOR SERIES
DATE	DWG# B01-3012-1

D 8/22/05 BK ADDED B01-3011-1 & B01-3050-1  
 C 04-Apr-03 CS REDRAWN IN PRO ENGINEER

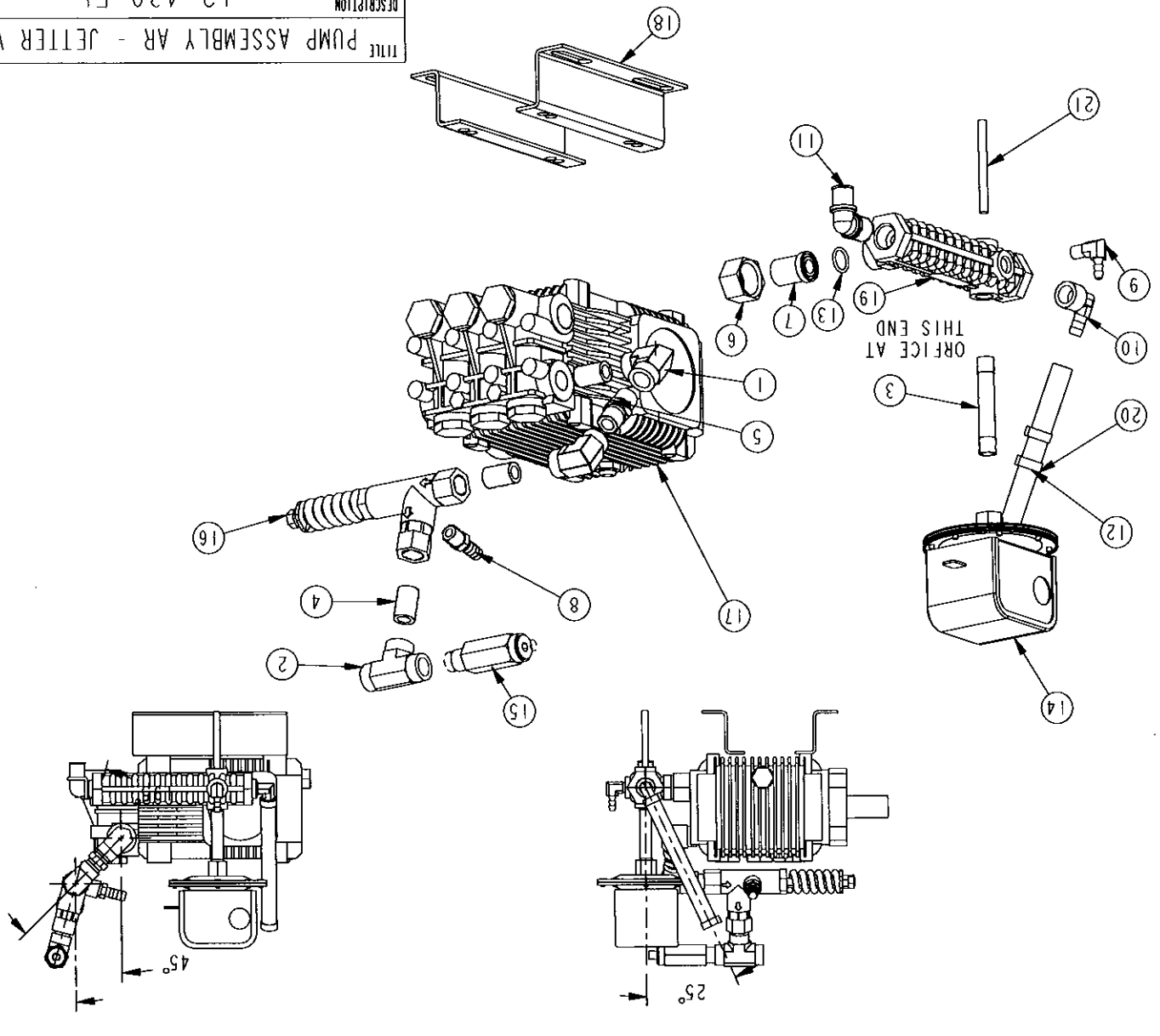
TITLE	HEAT CHAMBER ASS'Y
DESCRIPTION	24" S.S. WRAP W/HEAT SHIELD HOLES
DATE	17-NOV-08
DWG#	B01-6015-3



BILL OF MATERIALS			
ITEM QTY	PART DESCRIPTION	PART \ DRWH	
1	4	SCREW	02-101600
2	3	NUT	02-301300
3	1	STACK HEAD WELDMENT	B01-0068
4	1	24" CR CHAMBER WRAPPER ASS'Y	B01-3006-3
5	1	COIL WELDMENT	B01-6016
6	1	INSULATION KIT	H01-3000

TITLE PUMP ASSEMBLY AR - JETTER VAC  
 DESCRIPTION 12-430 EL  
 DATE 04-Aug-05  
 DWG# C01-6000

C 01/18/06 WG WENT TO DRILLED MANIFOLD FOR ORFICE  
 B 9/26/05 BK ITEM #9 WAS AT 20" F/ ZERO; ITEM #19 WAS 10"  
 A 8/29/05 BK DELETED 01-271304 & ADDED 01-271004



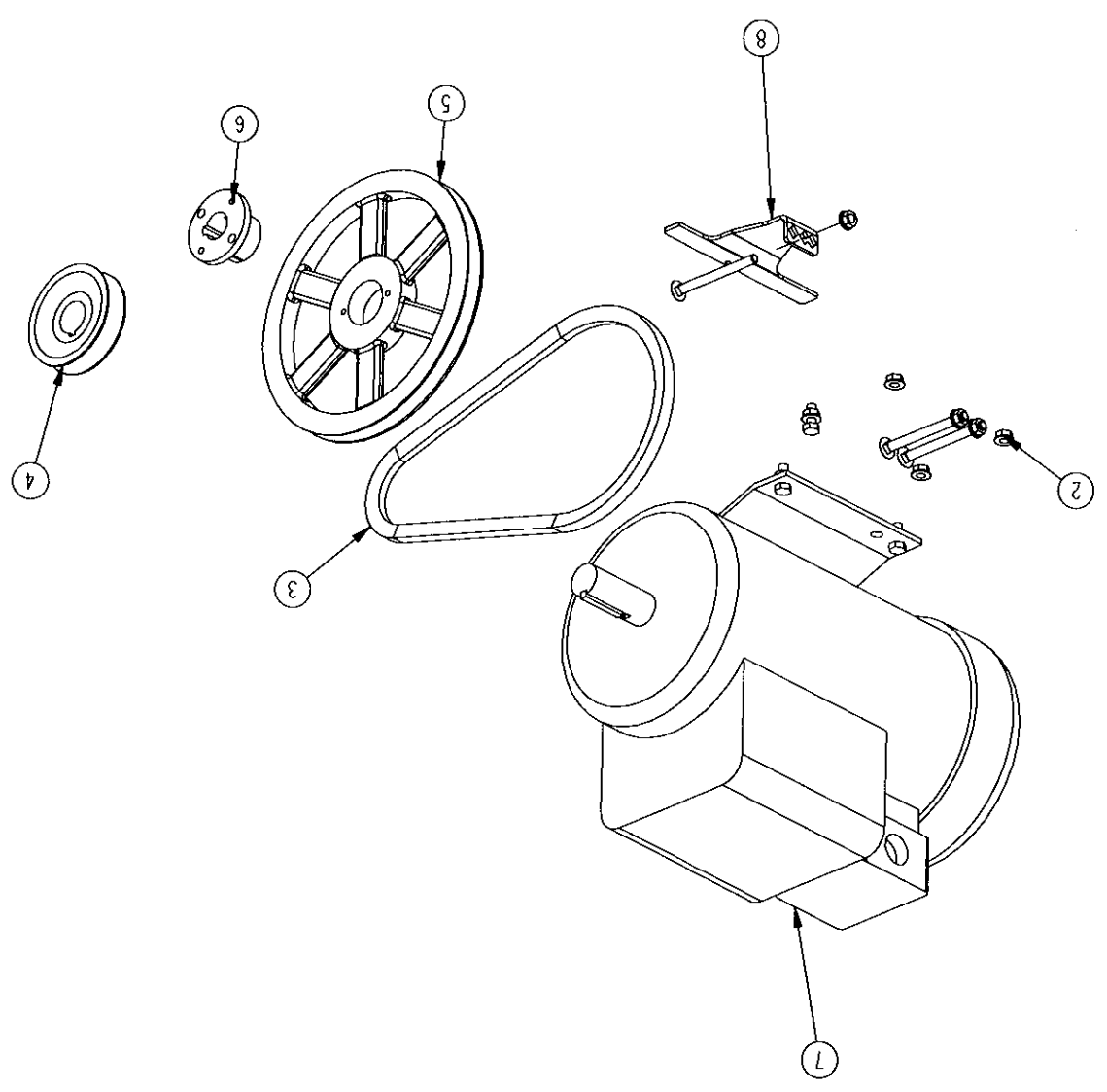
**BILL OF MATERIALS**

ITEM QTY	PART DESCRIPTION	PART \ DRW#
12 2	CLAMP	01-451006
13 1	O-RING	02-991100
14 1	VAC SWITCH	04-101320
15 1	RELIEF VALVE	05-111310
16 1	UNLOADER	05-185400
17 1	PUMP	08-173800
18 1	RAILS	08-173901
19 1	MANIFOLD-19/64" ORF.	29-144000-H
20 1	HOSE: 3/8" MULTI PURPOSE	2204-12
21 1	ROD	2304-2P88

**BILL OF MATERIALS**

ITEM QTY	PART DESCRIPTION	PART \ DRW#
1 2	ELBOW	01-111204
2 1	TEE	01-161204
3 1	NIPPLE ORFICE	01-261405-1
4 3	NIPPLE	01-271004
5 1	NIPPLE	01-271104
6 1	NUT	01-401000
7 1	HOSE ADAPTOR	01-401027
8 1	HOSE BARB	01-411101
9 1	HOSE BARB	01-411102
10 1	HOSE BARB	01-411601
11 1	HOSE BARB	01-411602

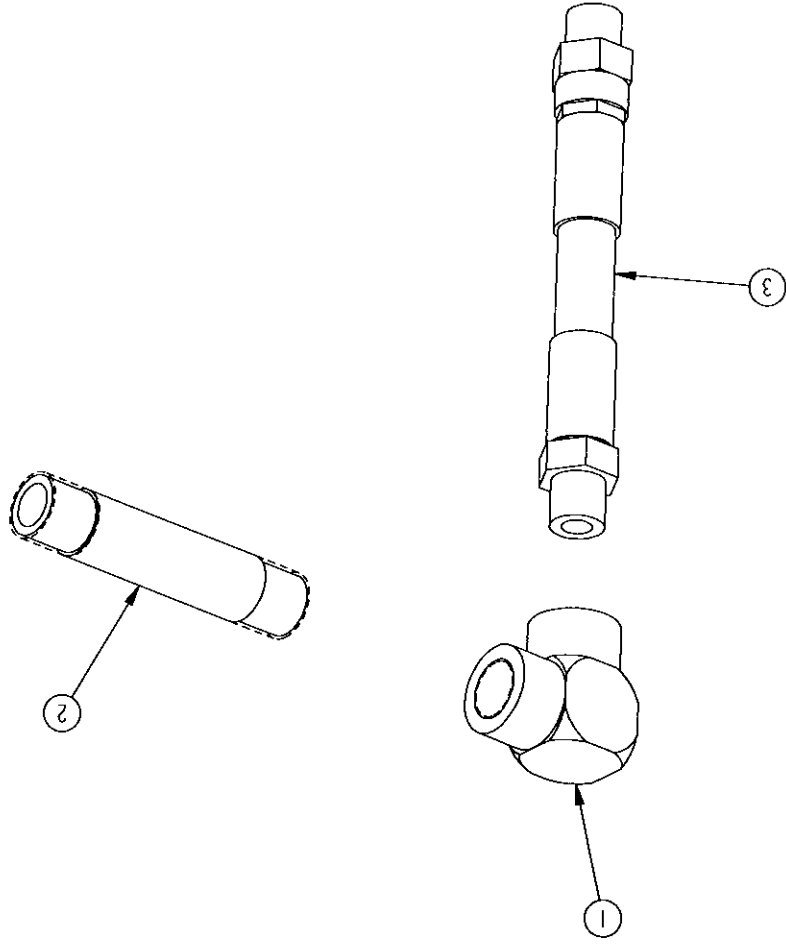
TITLE	DRIVE ASSEMBLY
DESCRIPTION	12-430 EL RK15.28 8HP 1PH
DATE	11-Oct-04
DWG#	D01-6000-1



BILL OF MATERIALS			
ITEM	QTY	PART DESCRIPTION	PART \ DRW#
1	5	BOLT	02-121100
2	8	NUT	02-301200
3	1	BELT	07-133401
4	1	PULLEY	07-223402
5	1	PULLEY	07-229000
6	1	BUSHING	07-311200
7	1	MOTOR	09-112060-1
8	1	BELT TIGHTENER	E01-0366

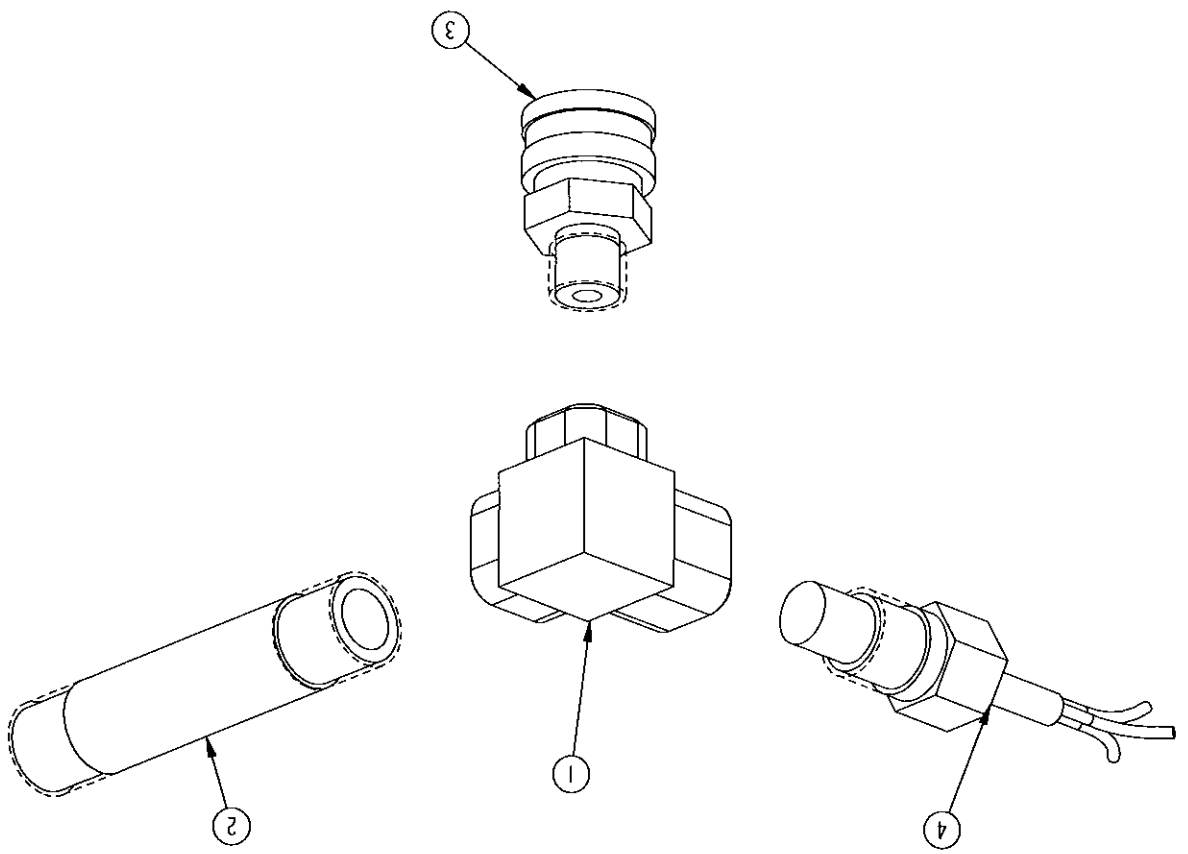
A 8/24/05 BK ITEM #2 WAS INCORRECT

TITLE	COIL INLET ASS'Y
DESCRIPTION	E01-0013
DATE	12-JUN-05
DWG#	E01-3022



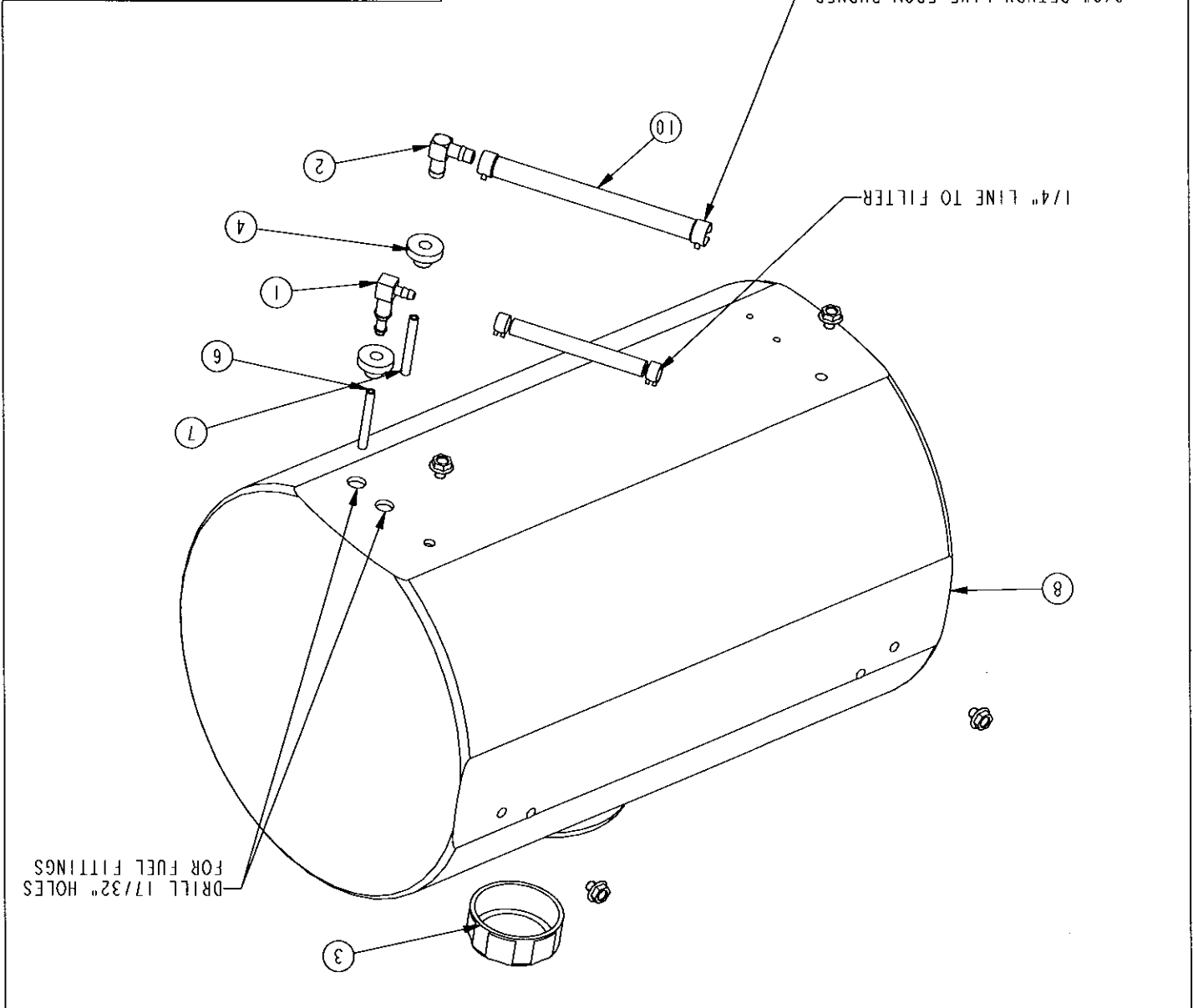
BILL OF MATERIALS			
ITEM QTY	PART DESCRIPTION	PART \ DRW#	
1	ELBOW	01-111304	
2	NIPPLE	01-281604	
3	HOSE	11-111725	

TITLE	COIL OUTLET ASS'Y
DESCRIPTION	12-000 ES
DATE	03-Aug-05
DWG#	E01-4007



BILL OF MATERIALS			
ITEM	QTY	PART DESCRIPTION	PART \ DRW#
1	1	ELBOW, 90	01-151304
2	1	NIPPLE	01-281604
3	1	COUPLER	01-421200
4	1	SENSOR	04-101003

TITLE	FUEL TANK ASSY
DESCRIPTION	SENIOR SERIES
DATE	17-Sep-04
DMG#	E01-5000-1



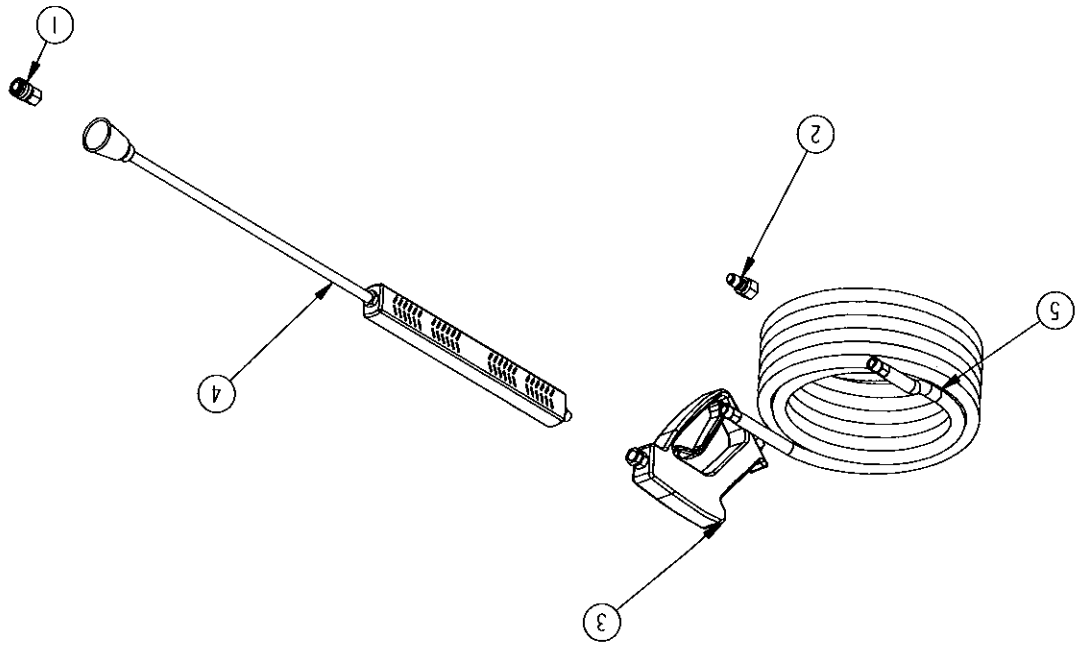
DRILL 17/32" HOLES FOR FUEL FITTINGS

ITEM QTY	PART DESCRIPTION	PART \ DRW#
1	BARB	01-41113
2	FITTING - 90°	01-41118
3	CAP	01-431203
4	GROMMET	01-41112-1
5	BOLT	02-121001
6	TUBING	1051-2
7	TUBING	1051-6
8	FUEL TANK	29-131126
9	FUEL LINE ASSEMBLY	E01-0335-32
10	40" x 3/8" FUEL LINE	E01-0363-40

BILL OF MATERIALS

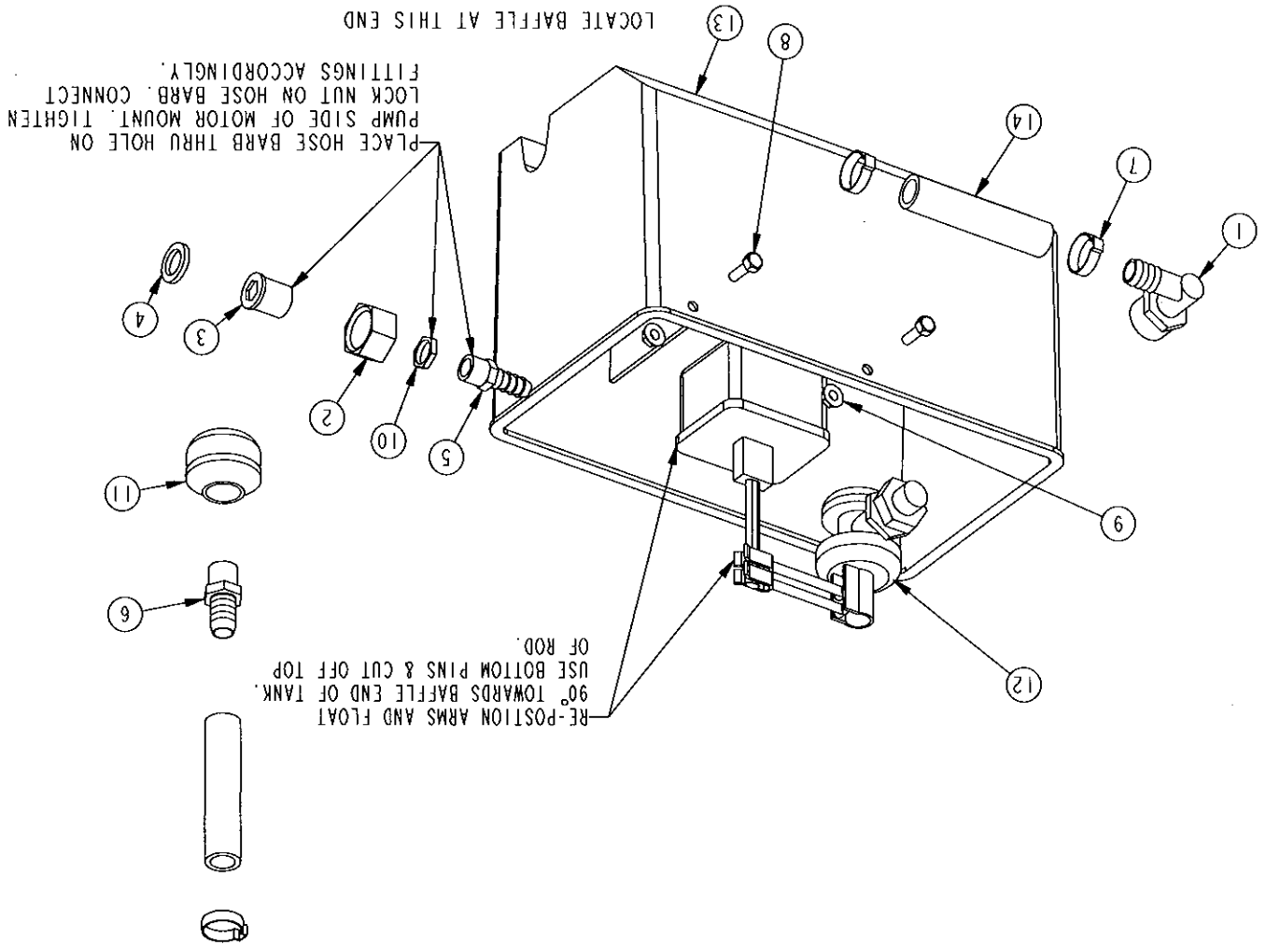


TITLE	GUN & PRESSURE HOSE ASS'Y
DESCRIPTION	JR & SR
DATE	03-Aug-05
DRW#	E01-6001-1

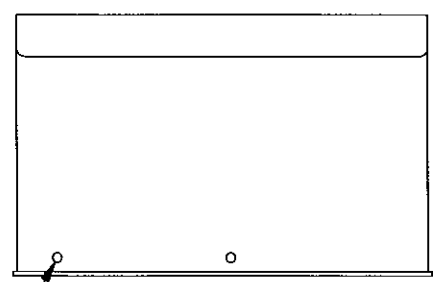


BILL OF MATERIALS			
ITEM QTY	PART DESCRIPTION	PART \ DRW#	
1	QUICK COUPLER	01-421000	
1	QUICK COUPLER	01-421300	
3	TRIGGER	06-152500	
4	LANCE	06-201300	
5	HOSE	11-114015	

DATE	16-Feb-09	DWG#	E01-6003-2
DESCRIPTION			
TITLE			
FLOAT TANK ASSEMBLY			



ITEM	QTY	PART DESCRIPTION	PART \ DRW#
1	1	ELBOW	01-111300
2	1	NUT	01-401000
3	1	HOSE ADAPTOR	01-401011
4	1	WASHER	01-401020
5	1	HOSE BARB	01-411401
6	1	HOSE BARB	01-411606
7	3	CLAMP	01-451202
8	2	CAPSCREW	02-111100
9	2	NUT	02-301100
10	1	3/8" NPT LOCK NUT	02-301334
11	1	SCREEN	05-121500
12	1	FLOAT VALVE	05-171400
13	1	FLOAT TANK	29-131500
14	2	HOSE	2207-20



NOTE: USE HOLES ON FRAME TO MARK HOLES ON FLOAT TANK  
 $\varnothing 9/32 (2)$

BILL OF MATERIALS

DESCRIPTION 12-430 EL 230V 1PH 8HP 09-112060-1  
 DWG# F01-6001-1

A S.GAPP/FH 3-10-2010 ADDED MANUFACTURING NOTES

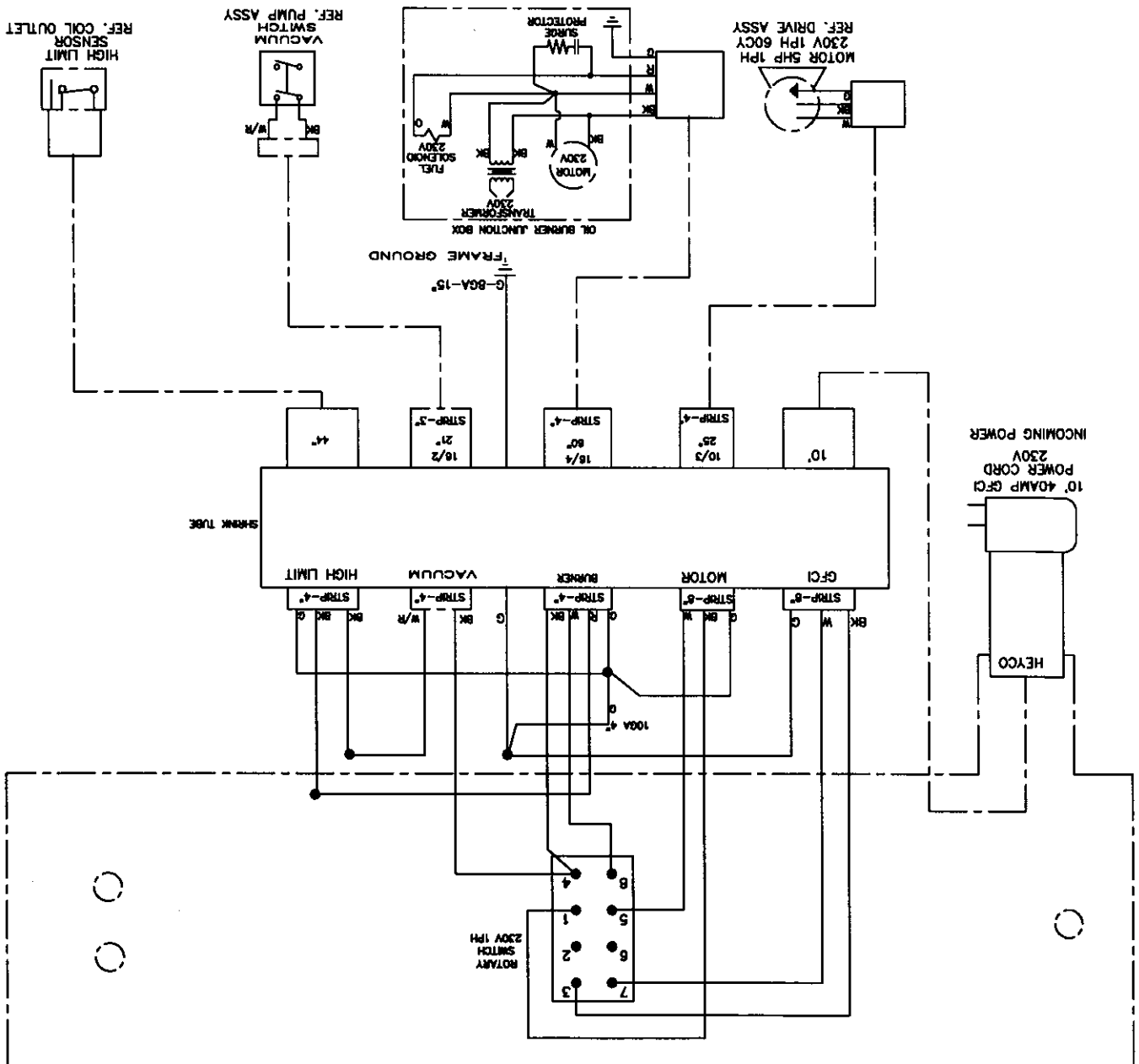
WIRING DIAGRAM

12-430 ES 4-WHEEL  
 12-430 EL 4-WHEEL

WIRE COLOR CODES:  
 BK= BLACK  
 G= GREEN  
 W= WHITE  
 V= VIOLET  
 BK/BL= BLACK WIRE WITH BLUE TAPE  
 W/R= WHITE WIRE WITH RED TAPE  
 G/R= GREEN WIRE WITH RED TAPE

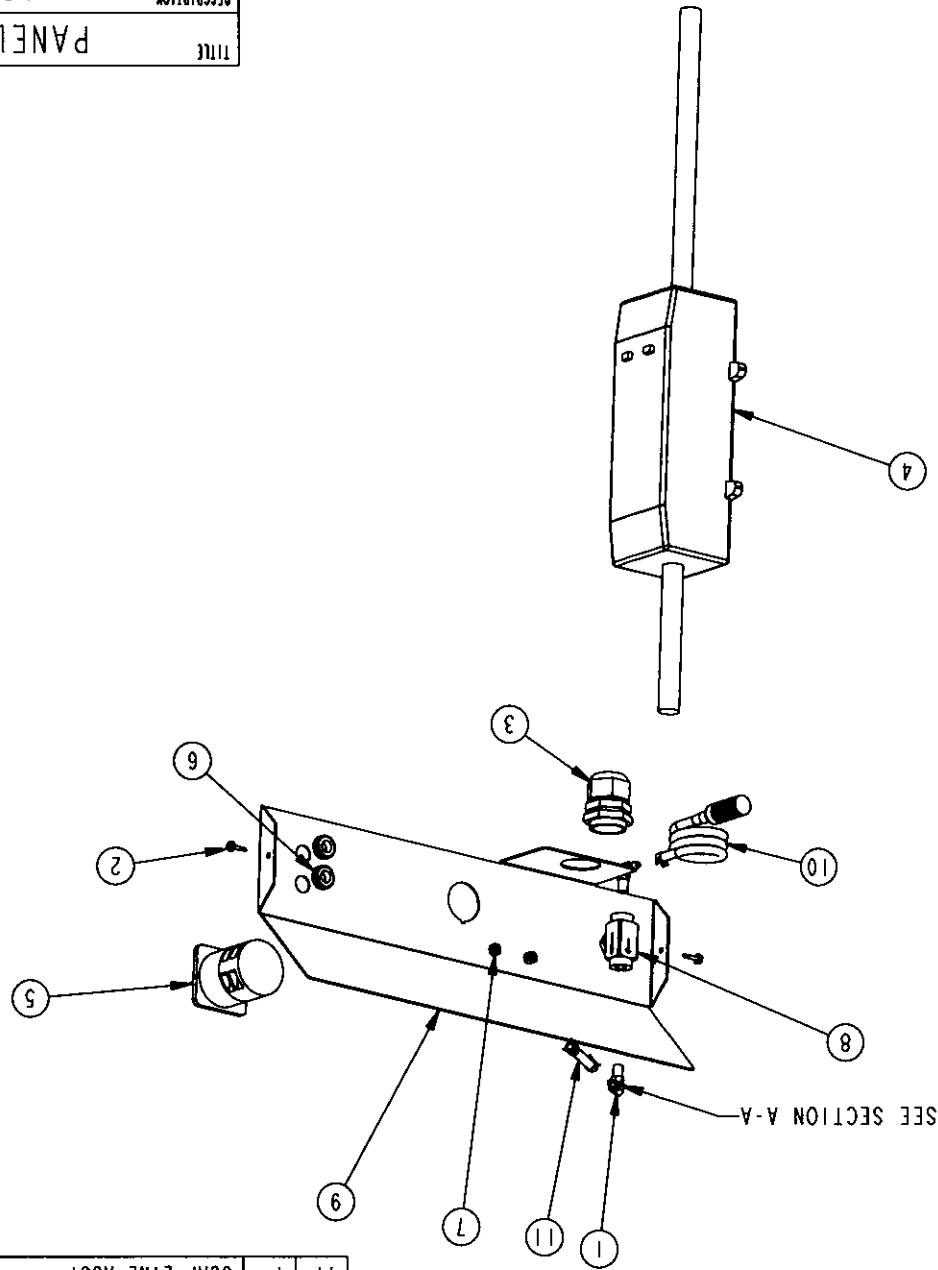
SOAP LINE 7'

SOAP LINE 10'

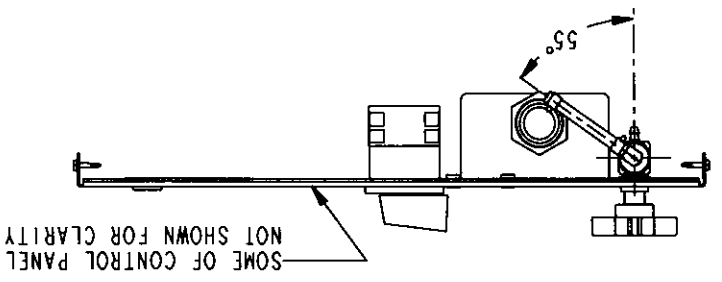


TITLE	PANEL ASSEMBLY
DESCRIPTION	12-430 ES
DATE	04-Aug-05
	DWG# F01-6002-1

A 8/9/11 LG 03-241901 WAS 03-242003



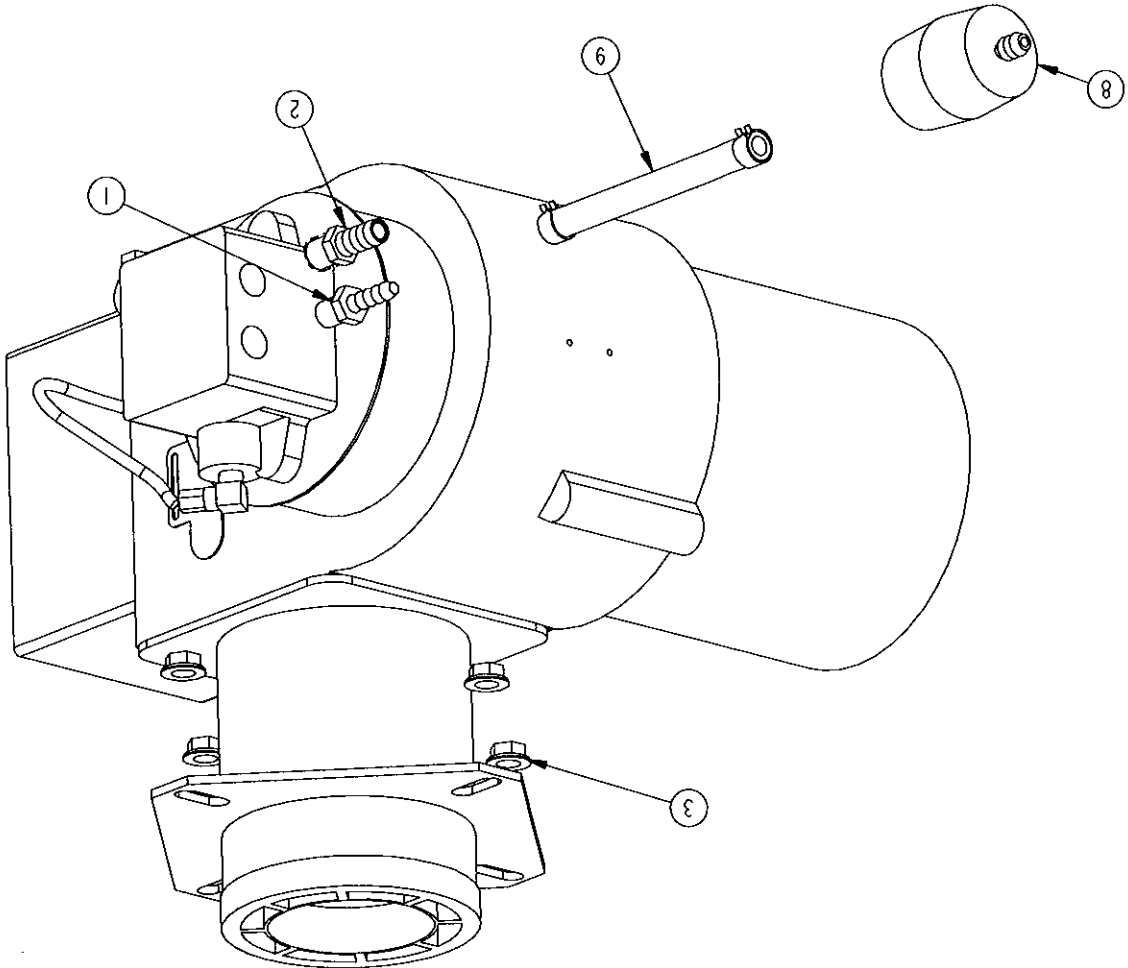
SECTION A-A  
SCALE 0.190



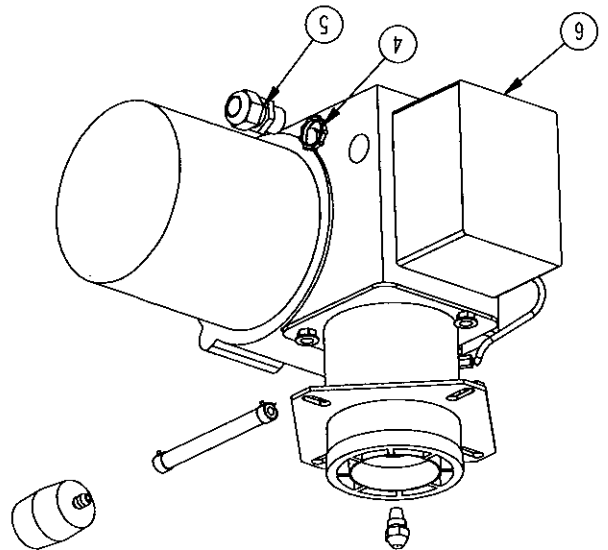
BILL OF MATERIALS		
ITEM QTY	PART DESCRIPTION	PART \ DRW#
1	HOSE BARB	01-411102
2	SCREW	02-101400
3	HEXCO CONN.	03-192540
4	GFCL 10' CORD	03-211726
5	SWITCH	03-222100
6	TIP GROMMET	03-241000
7	HOLE PLUG	03-241901
8	METERING VALVE	05-221000
9	CONTROL PANEL SS	B01-5004
10	84" SOAP HOSE ASSY	E01-0020
11	SOAP LINE ASSY	E01-6004-11

TITLE	BURNER ASS'Y
DESCRIPTION	12-423 ES / 12-430 ES
DATE	03-Aug-05
DMG#	G01-6004

B 8/29/05 BK 10-201500 WAS 10-201305  
 A 8/26/05 BK 10-201500 WAS 10-201305



REMOVE JUNCTION BOX

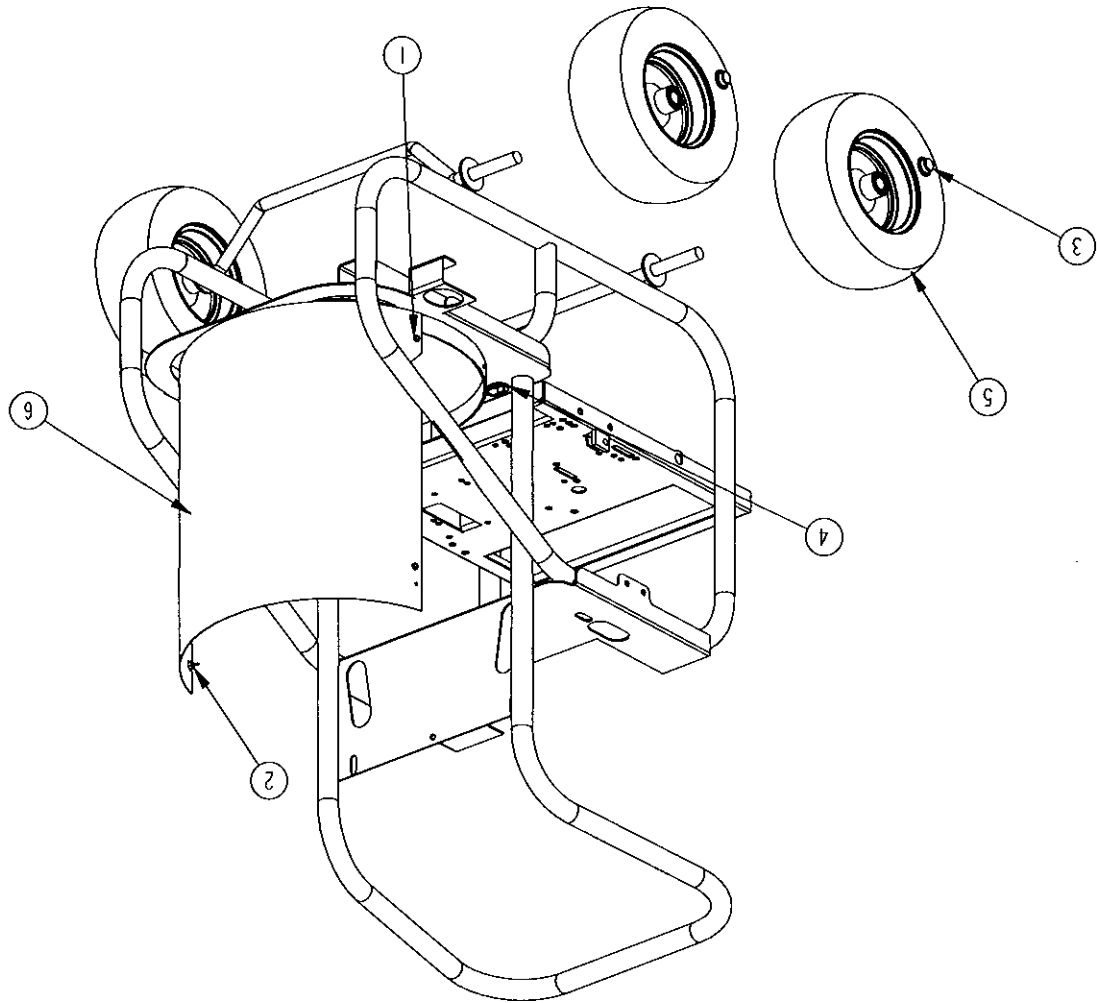


ITEM #10 IS NOT SHOWN

ITEM QTY	PART DESCRIPTION	PART \ DRW#
1	HOSE BARB	01-41100
1	HOSE BARB	01-41101
3	NUT	02-301300
4	NUT	03-191005
5	HEYCO CONN.	03-192520
6	BURNER	10-111041
7	NOZZLE	10-201500
8	FUEL FILTER	10-301150
9	4" FUEL LINE ASS'Y	E01-0335-4
10	VOLTAGE SUPPRESSOR ASSY.	F01-0500

BILL OF MATERIALS

DATE	23-Apr-09	DWG#	X01-6003-1
DESCRIPTION	4 WHEELS		
TITLE	MACHINE SUB-ASSEMBLY		



ITEM QTY	PART DESCRIPTION	PART \ DRW#
1	SCREW, TEKS #10-16 x 3/4	02-101400
2	HEX NUT: 1/4-20 SERATED	02-301100
3	PUSH CAP 3/4"	02-521203
4	GROMMET 1"	03-241105
5	WHEEL 13x 500 x 6 SILVER	12-151350
6	CHAMBER HEAT SHIELD	B01-0019-3
7	SR FRAME WELDMENT	B01-6000-5

BILL OF MATERIALS