

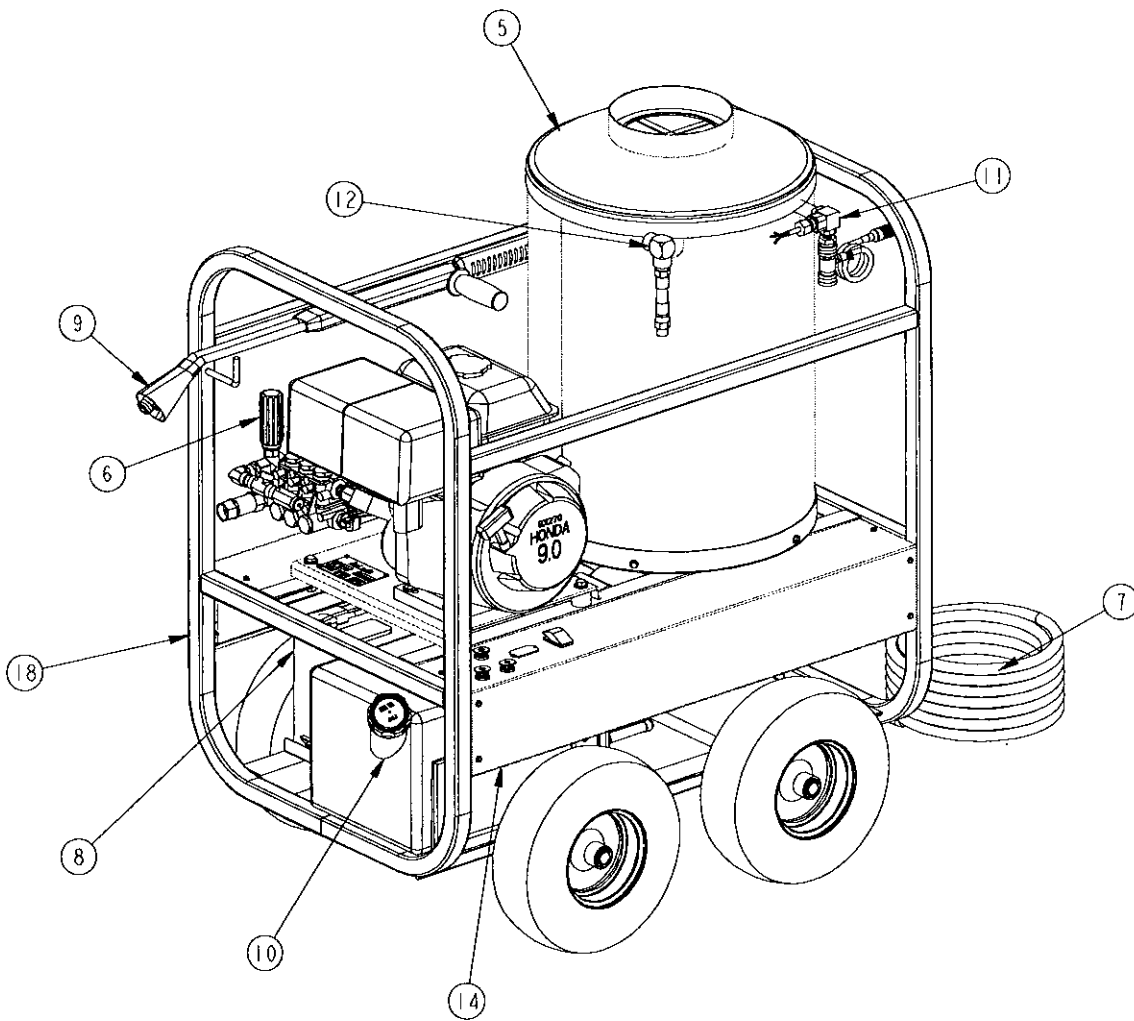
BILL OF MATERIALS

ITEM	QTY	PART DESCRIPTION	PART \ DRW#
1	1	WASH JET	06-400045-1
2	1	WASH JET	06-415045-1
3	1	WASH JET	06-425045-1
4	1	WASH JET	06-440045-1
5	1	HEAT CHAMBER ASSEMBLY	B04-0839
6	1	PUMP/DRIVE ASSEMBLY	CA4-0006
7	1	HOSE ASSEMBLY	E01-0295
8	1	BATTERY COMPONENT ASSEMBLY	E04-0094
9	1	GUN ASSEMBLY	E04-0261

BILL OF MATERIALS

ITEM	QTY	PART DESCRIPTION	PART \ DRW#
10	1	FUEL TANK ASS'Y, DIESEL	E04-1004-1
11	1	COIL OUTLET ASSEMBLY	EA4-0038
12	1	COIL INLET ASSEMBLY	EA4-0039
13	1	WIRING DIAGRAM	F04-0144-3
14	1	CONTROL PANEL ASSEMBLY	FA4-0032
15	1	BURNER ASSEMBLY	GA4-0004-3
16	1	DECAL ASSEMBLY	I04-0043
17	1	PACKAGING ASSEMBLY	J04-0008
18	1	SUB-ASSEMBLY	X04-0016-2

NOTE: SOME ITEMS NOT SHOWN FOR CLARITY

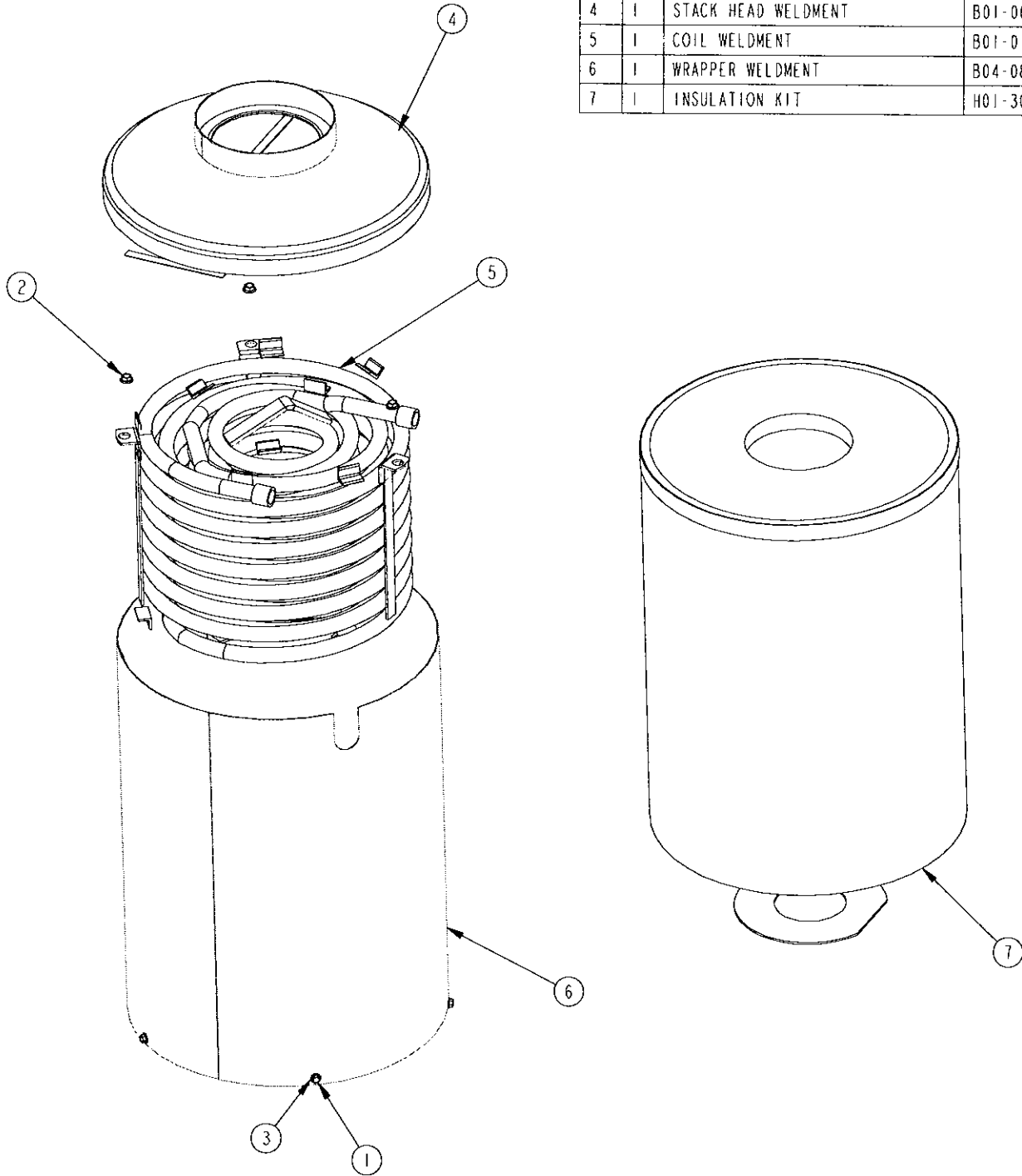


TITLE	41-425 OIL GC 9HP	
DESCRIPTION	HONDA/AR 3.5@2500	
DATE	11-Mar-04	DWG# A04-0143-2

A 30-0c1-08 WG UPDATED FOR 4 TIP CHANGE

BILL OF MATERIALS

ITEM	QTY	PART DESCRIPTION	PART \ DRW#
1	5	SCREW	02-101600
2	3	NUT	02-301300
3	5	STAR WASHER	02-501202
4	1	STACK HEAD WELDMENT	B01-0068
5	1	COIL WELDMENT	B01-0156
6	1	WRAPPER WELDMENT	B04-0841
7	1	INSULATION KIT	H01-3000

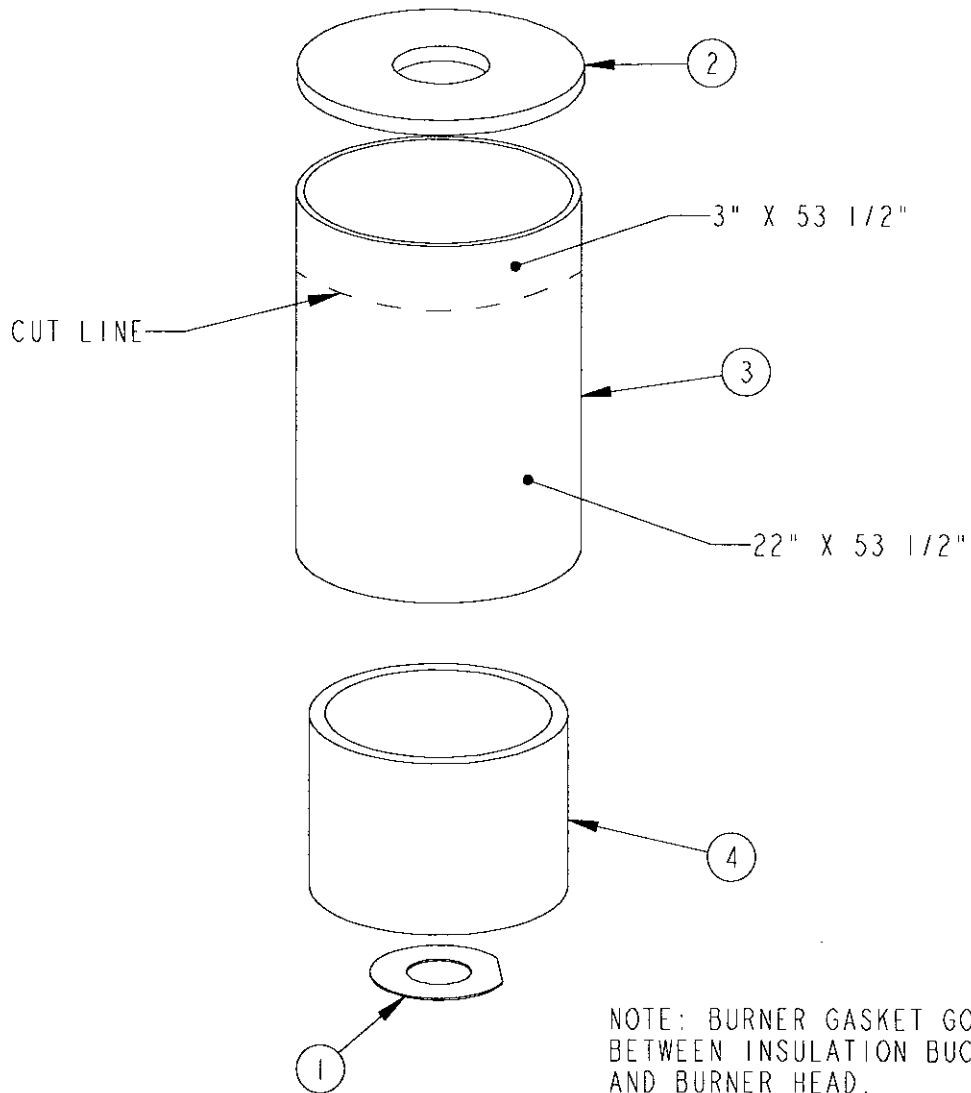


B 22-Jan-01 BH CORRECTED SCREW # AND QTY.

TITLE	HEAT CHAMBER 24" SS OIL
DESCRIPTION	41-000
DATE	DWG# B04-0839

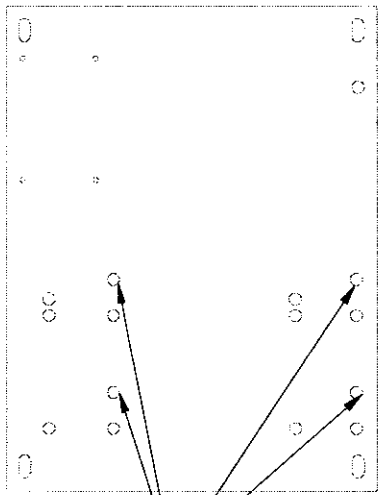
BILL OF MATERIALS

ITEM	QTY	PART DESCRIPTION	PART \ DRW#
1	1	BURNER GASKET	10-111236-1
2	1	STACK HEAD RING	H01-0002
3	1	INSULATION BLANKET	H01-0019
4	1	INSULATION BUCKET	101-0349



TITLE	INSULATION PKG. OIL 24"	
DESCRIPTION		
DATE		DWG# H01-3000

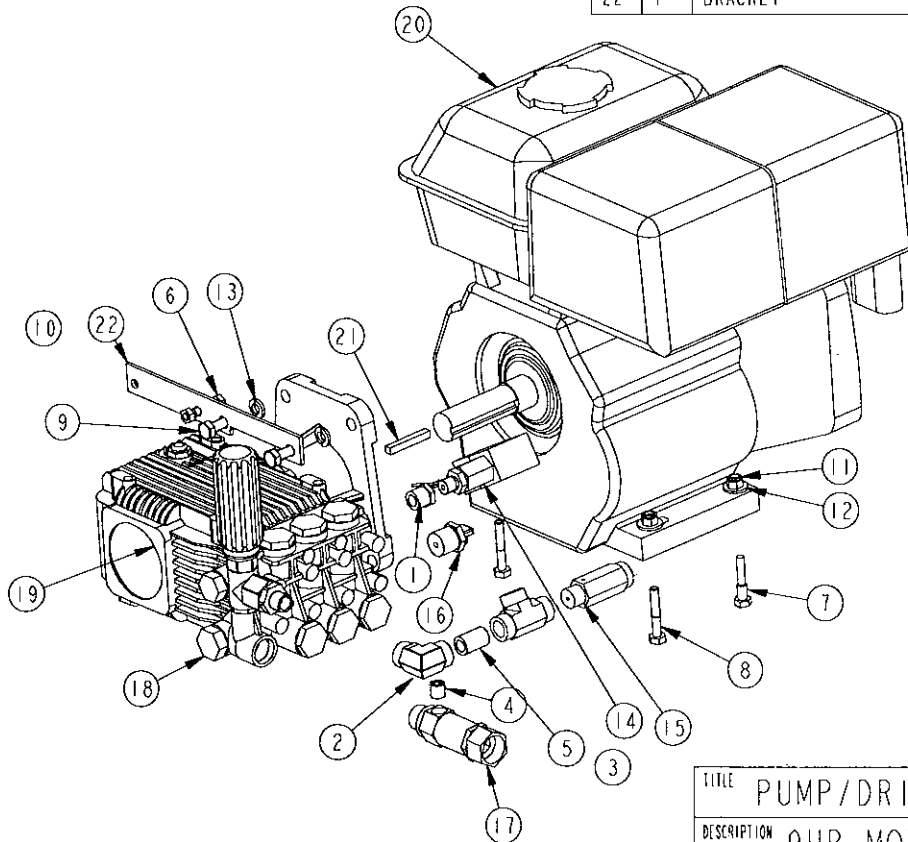
A 30-Nov-06 WG ADDED BURNER GASKET TO ASSEMBLY (10-111236-1)



USE THESE HOLES
TO MOUNT MOTOR

BILL OF MATERIALS

ITEM	QTY	PART DESCRIPTION	PART \ DRW#
1	1	BUSHING	01-101203
2	1	ELBOW	01-111204
3	1	TEE	01-161204
4	1	PLUG	01-231108
5	1	NIPPLE	01-271004
6	1	CAPSCREW	02-111200
7	2	CAPSCREW	02-121400
8	2	CAP SCREW	02-121500
9	4	BOLT	02-131300
10	1	NUT	02-301130
11	4	NUT	02-301230
12	4	WASHER	02-501200
13	4	WASHER	02-511301
14	1	PRESSURE SWITCH	04-101951
15	1	RELIEF VALVE	05-111310
16	1	THERMO RELIEF VALVE	05-112400
17	1	INLET FILTER	05-121701
18	1	CONTROL SET	05-171050
19	1	PUMP	08-172600
20	1	ENGINE	09-501320
21	1	SHAFT KEY	1209-1P75
22	1	BRACKET	B04-0924

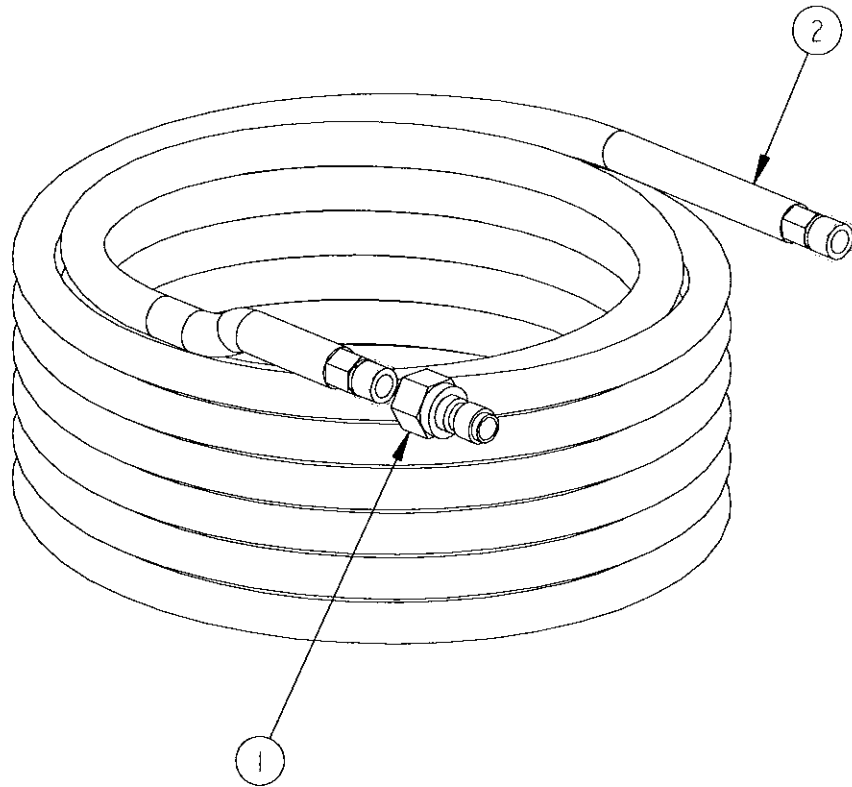


TITLE	PUMP/DRIVE ASSY. 41425	
DESCRIPTION	9HP MOTOR W/AR PUMP	
DATE		DWG# CA4-0006

C 8-Apr-03 BH PART# 02-121500 WAS QTY. (4); ADDED PART# 02-121400

BILL OF MATERIALS

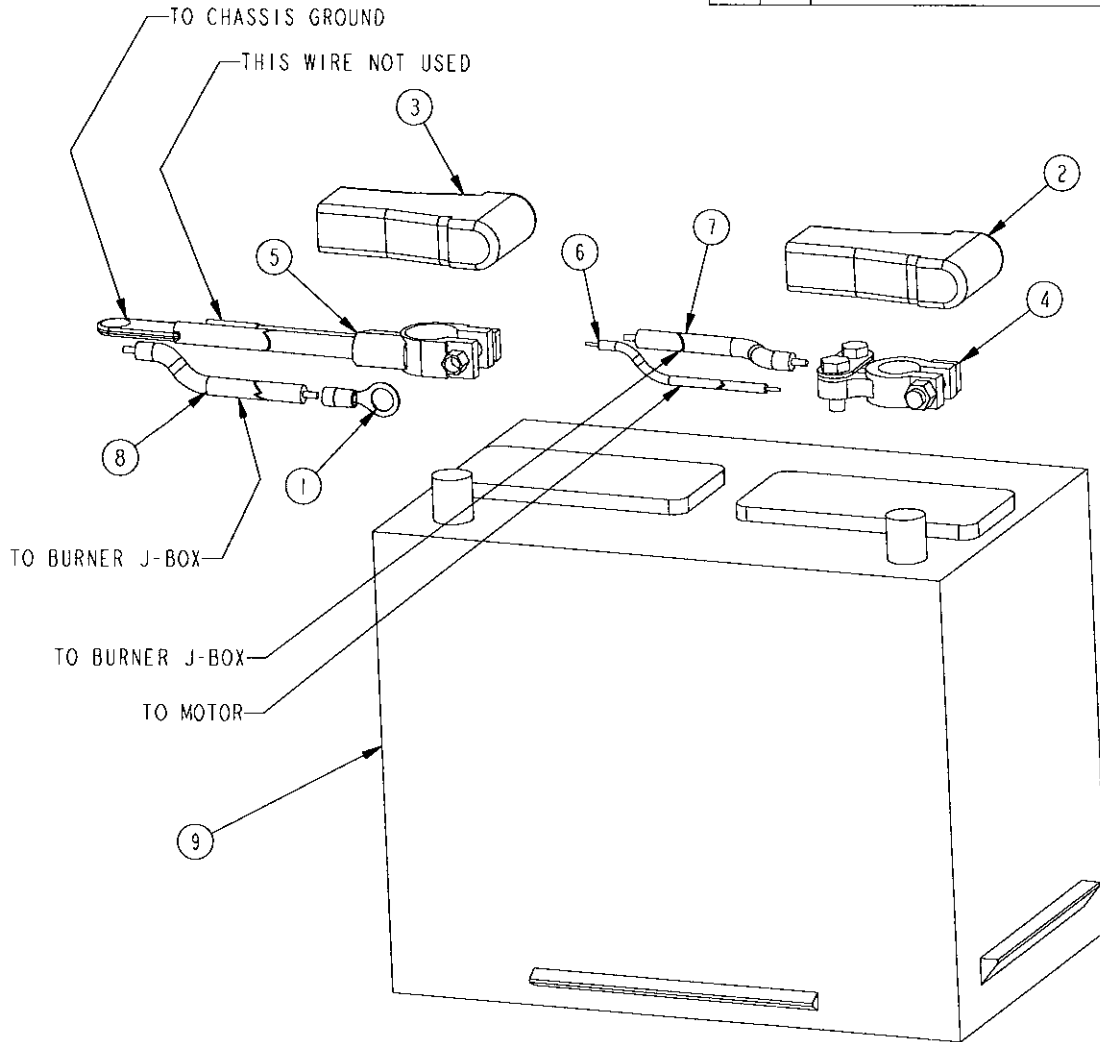
ITEM	QTY	PART DESCRIPTION	PART \ DRW#
1	1	QUICK COUPLER	01-421300
2	1	HOSE	11-115021



TITLE		HOSE ASS'Y	
DESCRIPTION			
DATE		DWG# E01-0295	

BILL OF MATERIALS

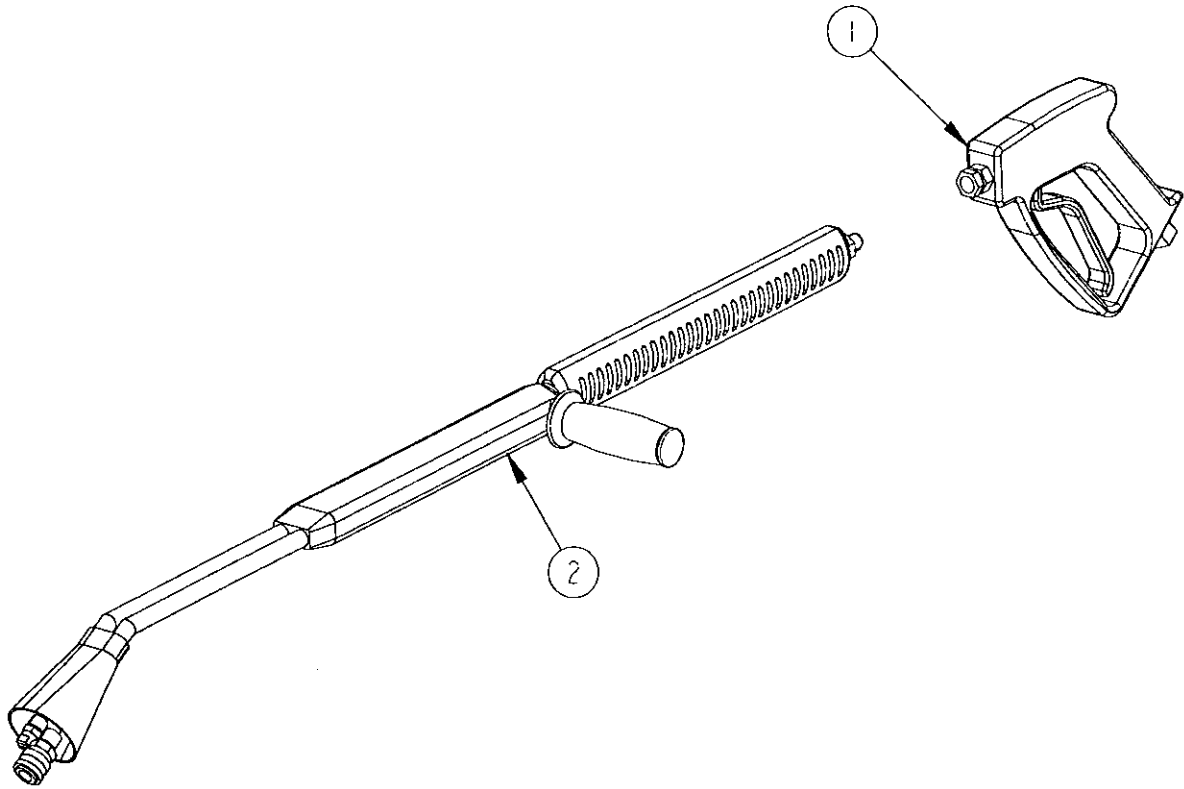
ITEM	QTY	PART DESCRIPTION	PART \ DRW#
1	1	EYELET	03-181208
2	1	TERMINAL COVER	03-271010
3	1	TERMINAL COVER	03-271020
4	1	POST CLAMP	03-272002
5	1	GROUND CABLE, BLACK	03-272215
6	1	WIRE	2113-36
7	1	WIRE	2114-72
8	1	WIRE, BLACK	2115-24
9	1	(NOT INCLUDED)	BATTERY



TITLE		BATTERY COMPONENT ASSY
DESCRIPTION		41425 MODEL
DATE	DWG#	E04-0094

BILL OF MATERIALS

ITEM	QTY	PART DESCRIPTION	PART \ DRW#
1	1	HANDLE	06-131101
2	1	DUAL LANCE WAND	06-201260

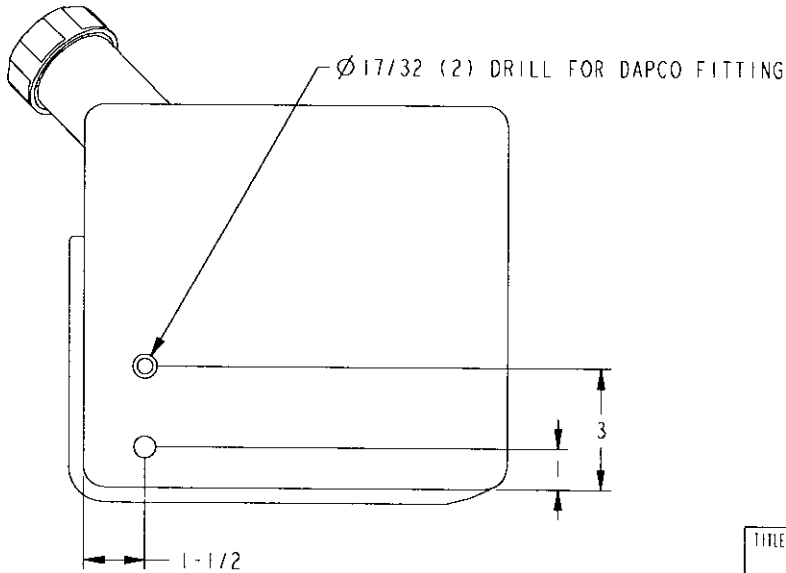
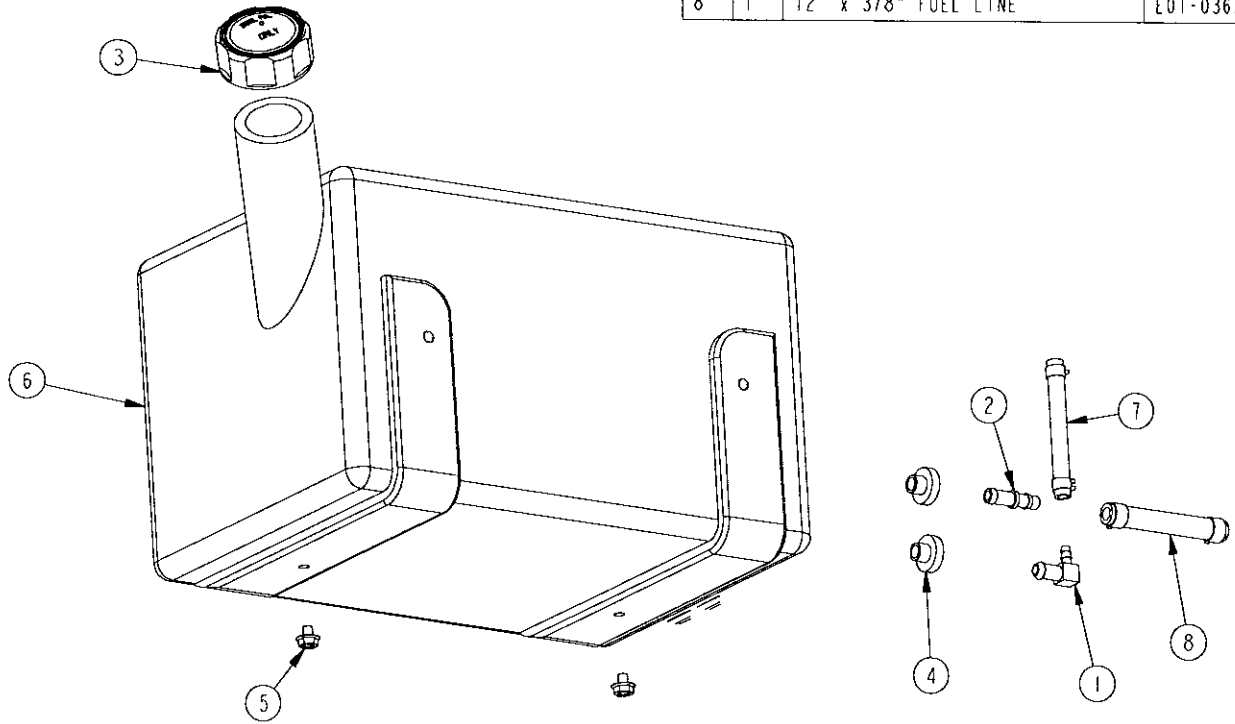


TITLE	GUN ASSEMBLY
DESCRIPTION	
DATE	DWG# E04-0261

A 05-Mar-09 WG UPDATED B.O.M. WITH 06-201260

BILL OF MATERIALS

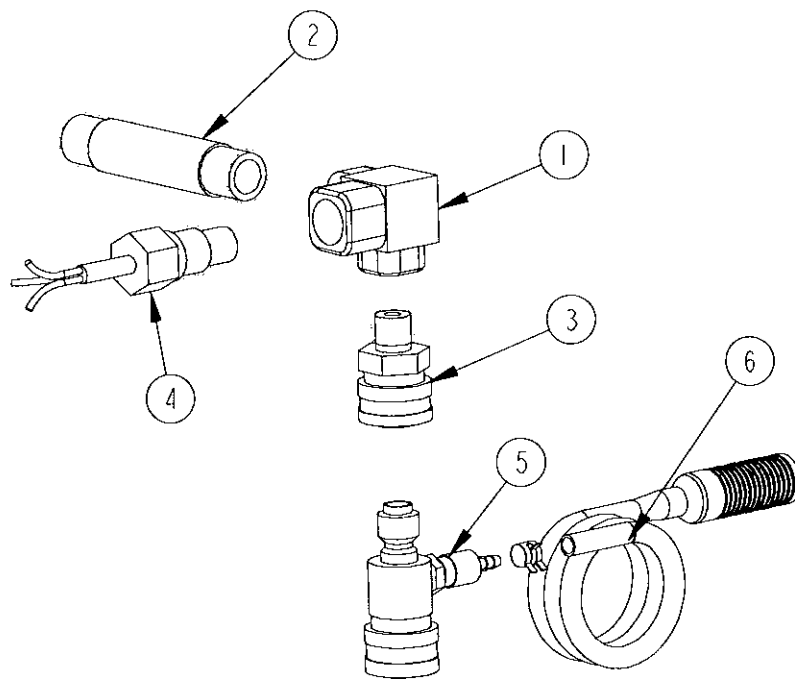
ITEM	QTY	PART DESCRIPTION	PART & DRW#
1	1	BARB	01-411113
2	1	FITTING - STRAIGHT	01-411117
3	1	CAP	01-431203
4	2	GROMMET	01-411112-1
5	2	BOLT	02-121001
6	1	FUEL TANK	29-131109
7	1	8" FUEL LINE ASSEMBLY	E01-0335-8
8	1	12" x 3/8" FUEL LINE	E01-0363-12



TITLE	FUEL TANK ASS'Y, DIESEL	
DESCRIPTION	41-000 BD	
DATE	08-Oct-04	DWG# E04-1004-1

BILL OF MATERIALS

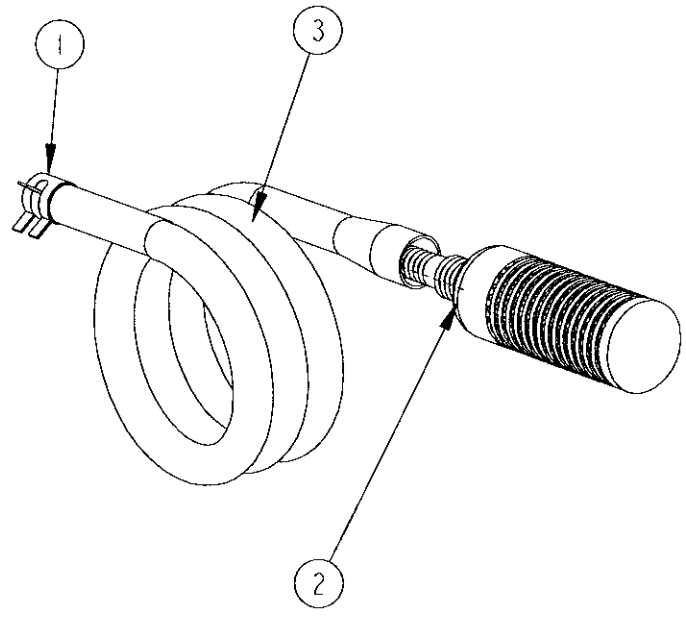
ITEM	QTY	PART DESCRIPTION	PART \ DRW#
1	1	ELBOW, SO	01-151304
2	1	NIPPLE	01-281604
3	1	COUPLER	01-421200
4	1	SENSOR	04-101003
5	1	INJECTOR	06-161501-1
6	1	84" SOAP HOSE ASSY	E01-0020



B 20-Dec-01 BH REVISED FITTINGS w/ NEW SO ELBOW

TITLE	COIL OUTLET ASSY.	
DESCRIPTION		
DATE	DWG#	EA4-0038

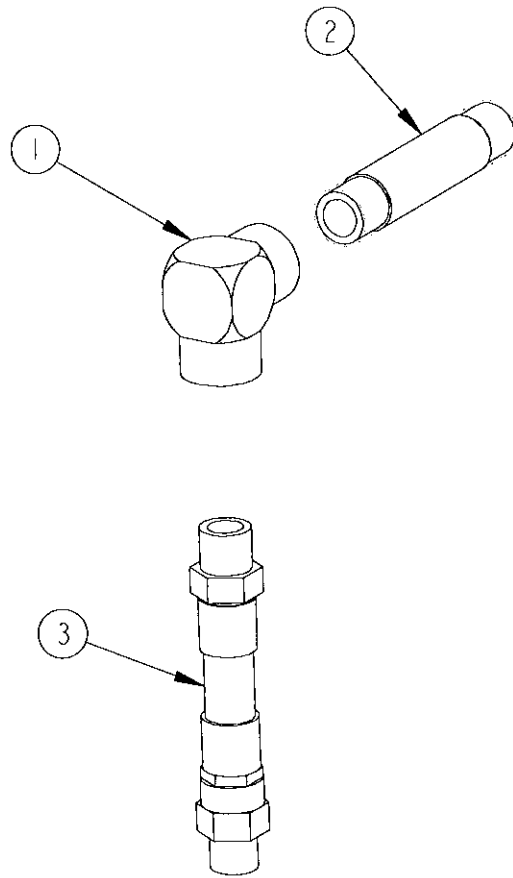
BILL OF MATERIALS			
ITEM	QTY	PART DESCRIPTION	PART \ DRW#
1	1	CLAMP	01-451011
2	1	CHECK VALVE	05-121000
3	1	HOSE	2211-84



TITLE	HOSE ASSY	
DESCRIPTION		
DATE	DWG#	E01-0020

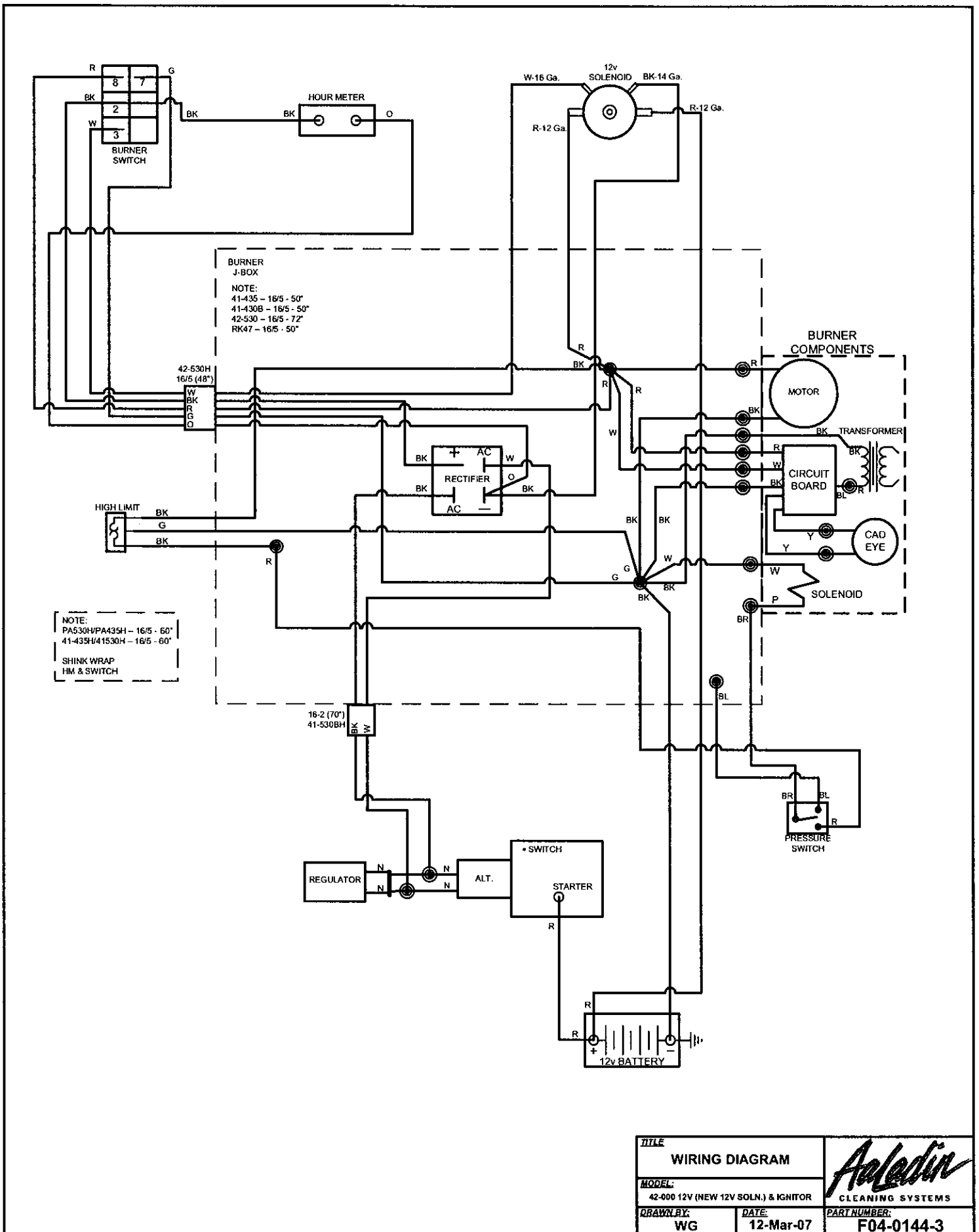
BILL OF MATERIALS

ITEM	QTY	PART DESCRIPTION	PART \ DRW#
1	1	ELBOW 1/2X90 DEG SCH80	01-111304
2	1	NIPPLE 1/2 X 4 SCH80	01-281604
3	1	3/8 HOSE: 100R1-37"	11-113722



TITLE	COIL INLET ASSY.	
DESCRIPTION	41425 MODEL	
DATE		DWG# EA4-0039

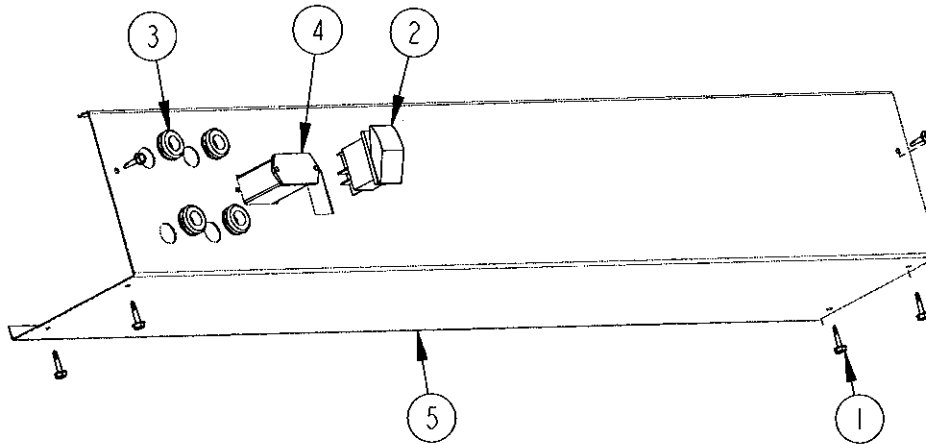
A 14-Jan-02 BH HOSE WAS PER 11-113721



TITLE WIRING DIAGRAM		<i>Aaledin</i> CLEANING SYSTEMS
MODEL: 42-000 12V (NEW 12V SOLN.) & IGNITOR		
DRAWN BY: WG	DATE: 12-Mar-07	PART NUMBER: F04-0144-3

BILL OF MATERIALS

ITEM	QTY	PART DESCRIPTION	PART \ DRW#
1	6	SCREW	02-101400
2	1	SWITCH	03-211321
3	4	TIP GROMMET	03-241000
4	1	HOUR METER	03-291000
5	1	CONTROL PANEL	B04-0949



C 03-Oct-08 WG ADDED (2) TIP GROMMETS TO ASSEMBLY
 B 16-Jan-01 BH REMOVED WASH JETS

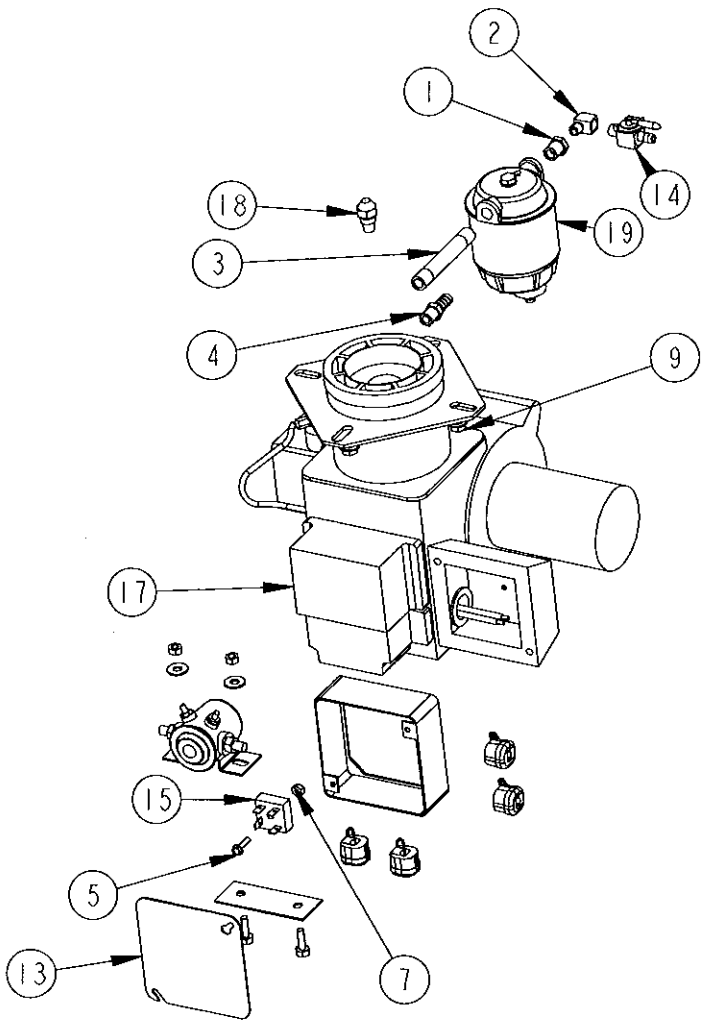
TITLE	CONTROL PANEL ASSEMBLY		
DESCRIPTION	41000 SERIES		
DATE		DWG#	FA4-0032

BILL OF MATERIALS

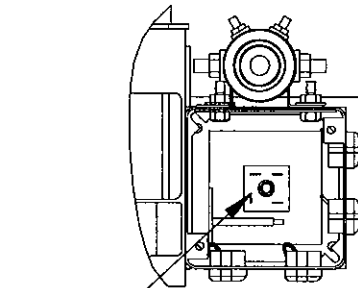
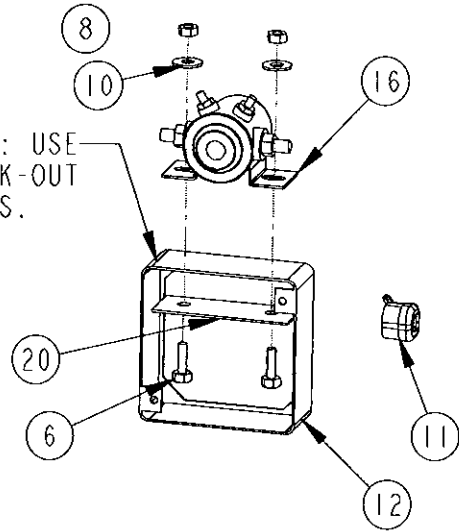
ITEM	QTY	PART DESCRIPTION	PART \ DRW#
1	1	BUSHING	01-101003
2	1	ELBOW	01-131005
3	1	NIPPLE	01-261503
4	1	HOSE BARB	01-411101
5	1	MACH. SCREW	02-101700
6	2	CAPSCREW	02-111100
7	1	HEX NUT	02-301004
8	2	NUT	02-301130
9	4	NUT	02-301300
10	2	WASHER	02-501100

BILL OF MATERIALS

ITEM	QTY	PART DESCRIPTION	PART \ DRW#
11	4	K CONNECTOR	03-192000
12	1	J-BOX	03-201101
13	1	J-BOX COVER	03-201110
14	1	BALL VALVE	05-201002
15	1	RECTIFIER	09-501340
16	1	RELAY	09-501342
17	1	BURNER W/ IGNITOR CAD CELL	10-111053
18	1	NOZZLE	10-201303
19	1	FILTER	10-301250
20	1	PLATE	B04-2208



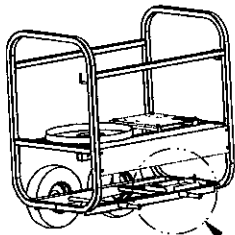
NOTE: USE
KNOCK-OUT
HOLES.



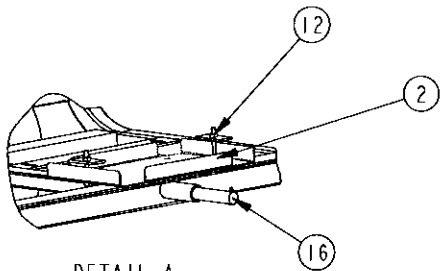
DRILL 3/16" HOLE
CENTERED IN BOX
ON BURNER TO
MOUNT RECTIFIER

B 02/24/05 BK 01-261503 WAS 01-261602
A 2/10/05 BK 01-261602 WAS 01-261403

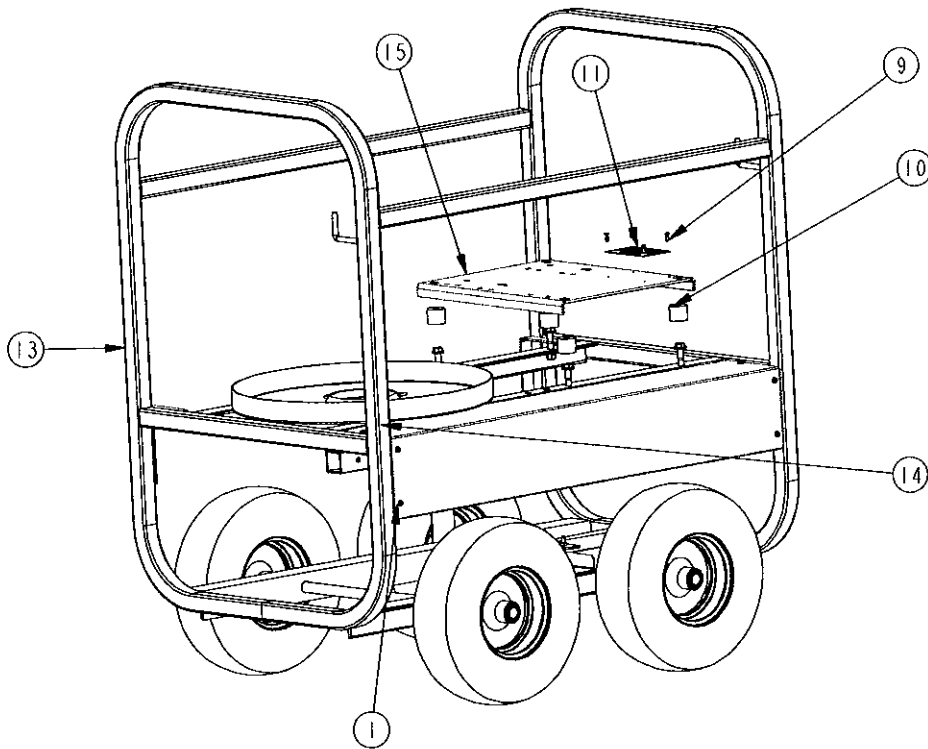
TITLE	BURNER ASSY.	
DESCRIPTION	41-000	
DATE	8-Oct-04	DWG# GA4-0004-3



WHEELS REMOVED FOR CLARITY
SEE DETAIL A



DETAIL A



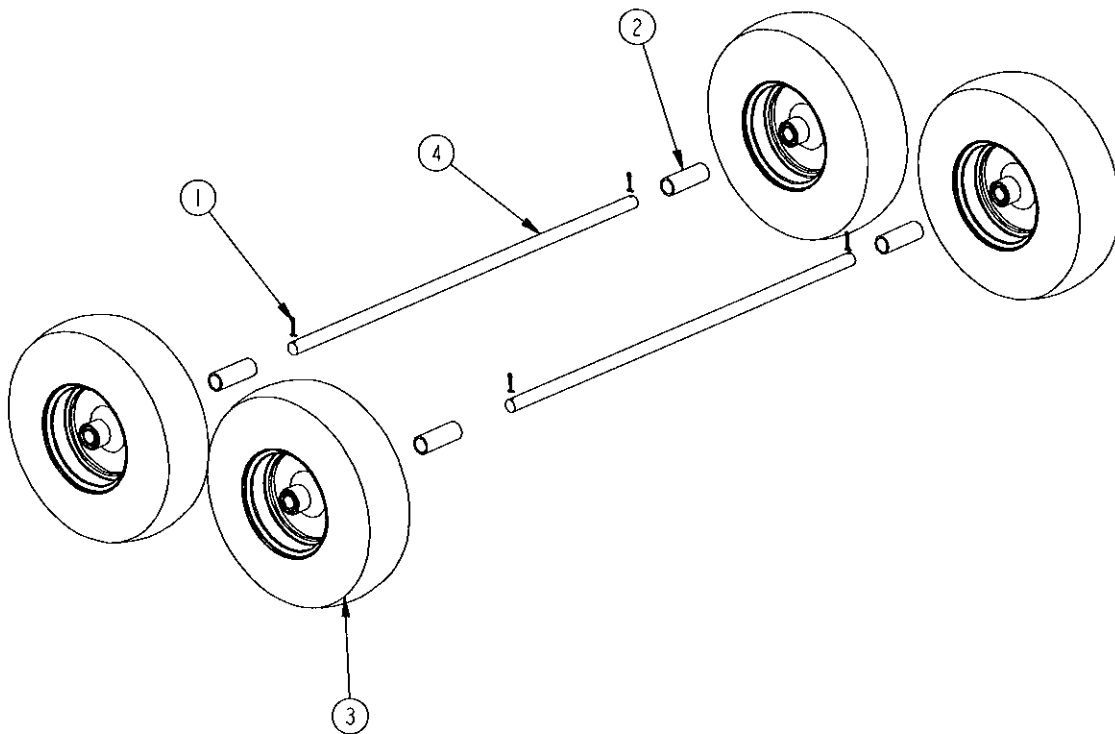
BILL OF MATERIALS

ITEM	QTY	PART DESCRIPTION	PART \ DRW#
1	6	SCREW	02-101400
2	2	BOLT	02-111600
3	4	CAPSCREW	02-131800
4	2	NUT	02-301130
5	4	NUT	02-301331
6	4	WASHER	02-501200
7	4	WASHER	02-501300
8	1	WASHER	02-501400
9	4	POP RIVET	02-522200
10	4	SHOCK MOUNT	02-551115
11	1	SPECIFICATIONS TAG	26-101003
12	2	CLIP	B04-0125
13	1	FRAME WELDMENT	B04-0836
14	1	SIDE PANEL	B04-0950
15	1	MOTOR MOUNT	BHOP4-0002
16	1	WHEEL KIT, 13" WHEELS	K04-0078-2

TITLE	41000 SUB-ASSEMBLY	
DESCRIPTION	41425	
DATE	21-NOV-05	DWG# X04-0016-2

BILL OF MATERIALS

ITEM	QTY	PART DESCRIPTION	PART \ DRW#
1	4	PIN	02-521000
2	4	PIPE, 2-1/8"	1003-2P875
3	4	WHEEL, SILVER	12-151350
4	2	AXLE 28 1/4"	B01-3025



D 02/13/06 WG 1003-2P875 WAS 1000-2P875
 C 9/26/05 BK REMOVED WASHERS; ITEM #2 WAS B01-3027
 B 12-Apr-05 CS CHANGED WASHERS FROM 01-151600
 A 21-Feb-05 CS ADDED 02-501600 WASHERS

TITLE	WHEEL KIT, 13" WHEELS	
DESCRIPTION	41-000	
DATE	01-Nov-04	DWG# K04-0078-2