

RKV-F24

HOLLOW SHAFT PUMP



Commercial

140° F - Max Water Temp
 1/2" F - Inlet Thread
 3/8" F - Discharge Thread
 15 oz - Oil Capacity



● brass head



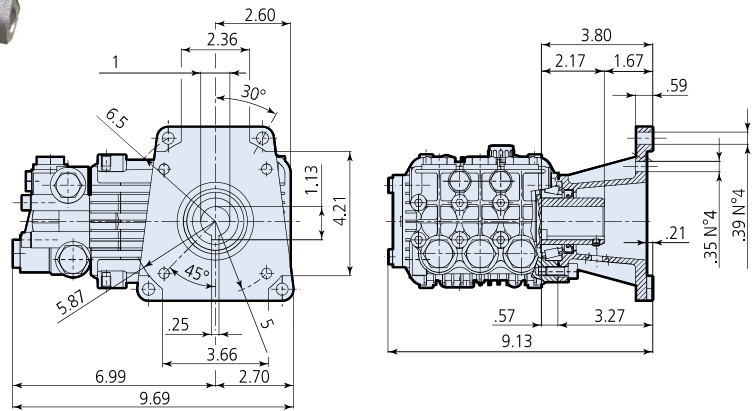
● nickel plated brass head



○ bronze connecting rods



○ aluminum connecting rods



D version + F24

| MOD | MAX | MAX | | NET | BORE DIA | STROKE | CRANKSHAFT ID STAMP | LIST PRICE | | | | |
|--|-------|------|-----|-----|----------|--------|---------------------|------------|----|-----|----|------------|
| | l/min | gpm | bar | psi | ebhp | rpm | lbs | mm | mm | \$ | | |
| RKV 3400rpm D version 1" with Gas Engine Flange | | | | | | | | | | | | |
| RKV35G30AD-F24 | ● ○ | 13.2 | 3.5 | 206 | 3000 | 7.5 | 3400 | 21 | 18 | 6.2 | 9 | \$939.56 |
| RKV35G40HD-F24 | ○ ○ | 13.2 | 3.5 | 275 | 4000 | 10.0 | 3400 | 21 | 18 | 6.2 | 9 | \$939.56 |
| RKV4G37D-F24 | ● ○ | 15.1 | 4 | 255 | 3700 | 7.5 | 3400 | 21 | 18 | 7 | 8 | \$944.28 |
| RKV4G40HD-F24 | ○ ○ | 15.1 | 4 | 275 | 4000 | 11.0 | 3400 | 21 | 18 | 7 | 8 | \$1,038.70 |
| RKV45G32D-F24 | ● ○ | 17 | 4.5 | 220 | 3200 | 10.0 | 3400 | 21 | 18 | 8 | 7 | \$944.28 |
| RKV45G40HD-F24 | ○ ○ | 17 | 4.5 | 275 | 4000 | 12.4 | 3400 | 21 | 18 | 8 | 7 | \$1,038.70 |
| RKV5G40HD-F 24 | ● ○ | 18.3 | 5 | 275 | 4000 | 13.7 | 3400 | 21 | 18 | 8.6 | 11 | \$1,038.70 |
| RKV55G40HD-F24 | ○ ○ | 20.8 | 5.5 | 275 | 4000 | 15.0 | 3400 | 21 | 18 | 9.8 | 6 | \$1,038.70 |

SPECIAL PARTS / KITS

| MOD | DESCRIPTION | LIST PRICE |
|---------|-------------------------------------|------------|
| AR2809 | Viton Water Seals ø 18 | \$292.85 |
| AR42213 | Kit for up to 180° F ø 18 High Temp | \$636.29 |
| AR42149 | Single Cylinder Pistons Kit | \$55.64 |
| AR64516 | Oil (16 oz) | \$15.80 |

REPAIR KITS

| MOD | DESCRIPTION | QTY | LIST PRICE |
|--------|--------------------|-----|------------|
| AR1828 | Valves | 6 | \$69.79 |
| AR2546 | Pistons ø 18 | 3 | \$227.40 |
| AR1857 | Water Seals ø 18 | 3 | \$136.00 |
| AR1856 | Oil Seals | 7 | \$62.76 |
| AR1829 | Support Rings ø 18 | 3 | \$18.41 |