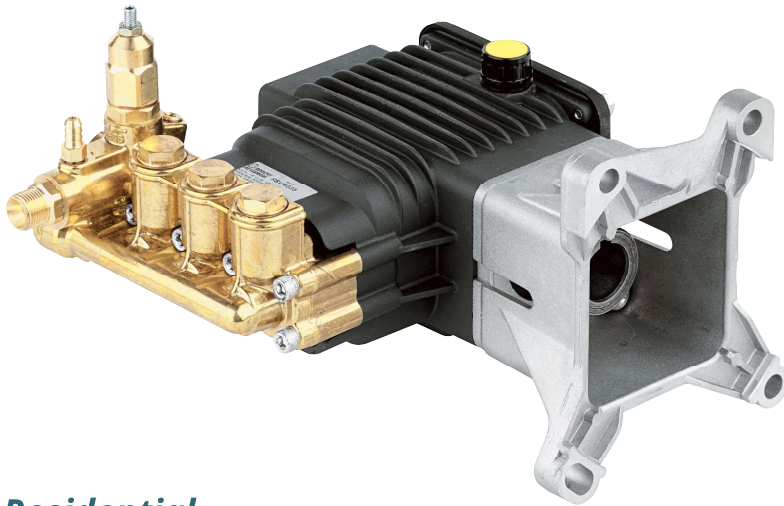




RSV-40

HOLLOW SHAFT PUMP



On request

Residential

140° F - Max Water Temp
 3/8" F - Inlet Thread
 3/8" M - Discharge Thread
 16 oz - Oil Capacity



● brass head



○ bronze connecting-rods



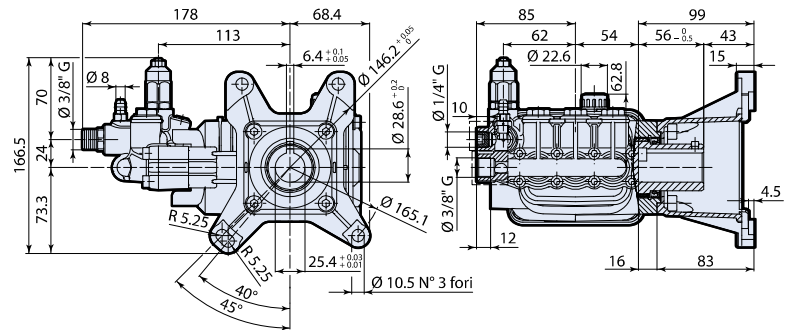
○ aluminum connecting-rods



○ thermal relief valve



● easy start valve



D version + F40

MOD	MAX		MAX		rpm	lbs	BORE DIA	STROKE	CRANKSHAFT ID STAMP	LIST PRICE		
	l/min	gpm	bar	psi								
RSV 3400rpm D version + F40 Ø1" with Gas Engine Flange												
RSV3G34D-F40	● ○ ○	11.4	3	234	3400	7.0	3400	14	15	7.6	9	\$766.05
RSV33G31D-F40EZ	● ○ ○ ●	12.6	3.3	213	3100	7.0	3400	14	15	7.6	9	\$766.05
RSV35G40D-F40	● ○ ○	13.2	3.5	275	4000	9.6	3400	14	15	8.2	8	\$766.05
RSV4G40HDF40EZ	● ○ ○ ●	15.1	4	275	4000	11.0	3400	14	15	9.4	7	\$766.05

SPECIAL PARTS / KITS

MOD	DESCRIPTION	LIST PRICE
AR42304	EZ Start assembly	\$38.99
AR2280	Unloader Kit - up to 3200 PSI (no knob with seat)	\$121.76
AR42369	Unloader Kit - above 3200 PSI (no knob with seat)	\$101.06
AR42128	Unloader Kit - above 3200 PSI (with knob without seat)	\$108.96
AR42527	Complete manifold with EZ start	\$524.82
AR42546	Complete manifold non EZ start	\$556.24
AR2761050	Bare manifold with EZ start	\$262.43
AR2760330	Bare manifold non EZ start	\$262.43
AR64516	Oil (16 oz)	\$15.80

REPAIR KITS

MOD	DESCRIPTION	QTY	LIST PRICE
AR42666	Valves and Caps	6	\$81.03
AR2187	Pistons	3	\$200.36
AR2189	Water Seals	3	\$94.28
AR2188	Oil Seals	4	\$61.84
AR2190	O-Rings	17	\$15.01
AR2191	Support Ring	3	\$7.21