



RCV-F7

HOLLOW SHAFT PUMP



Commercial

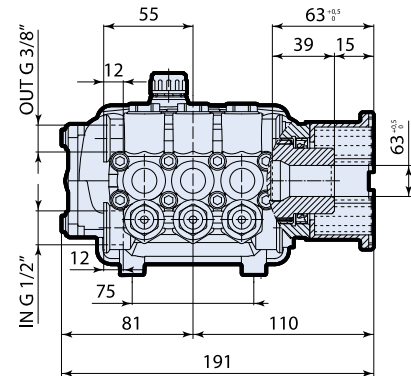
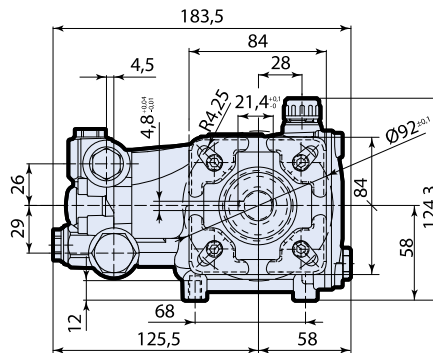
140° F - Max Water Temp
 1/2" F - Inlet Thread
 3/8" F - Discharge Thread
 9.81 oz - Oil Capacity



● brass head



○ aluminum connecting rods



D version + F7

MOD	MAX	MAX		NET	BORE DIA	STROKE	CRANKSHAFT ID STAMP	LIST PRICE
	l/min	gpm	bar	psi	ebhp	rpm	lbs	mm

RCV 3400rpm D version 3/4" with Gas Engine Flange

RCV2G22D-F7	● ○	8	2	150	2200	3.0	3400	11	15	4.4	11	\$649.19
RCV25G27D-F7-SX	● ○	9.5	2.5	186	2700	4.6	3400	11	15	5.6	9	\$649.19
RCV25G27D-F7	● ○	9.5	2.5	186	2700	4.6	3400	11	15	5.6	9	\$649.19
RCV3G27D-F7	● ○	11.4	3	186	2700	5.6	3400	11	15	6.5	8	\$649.19
RCV35G25D-F7	● ○	13.2	3.5	170	2500	6.0	3400	11	15	7.4	7	\$649.19

SX - 180° Rotated Shaft Configuration

SPECIAL PARTS / KITS

MOD	DESCRIPTION	LIST PRICE
AR64516	Oil (16 oz)	\$15.80

REPAIR KITS

MOD	DESCRIPTION	QTY	LIST PRICE
AR2186	Valves	6	\$62.00
AR42475	Pistons	3	\$119.30
AR42476	Water Seals	3	\$51.10
AR42474	Oil Seals	4	\$30.18
AR42470	O-Rings	15	\$20.34
AR2191	Support Ring	3	\$7.21
AR43434	Hot Water Seal Kit	3	\$536.20