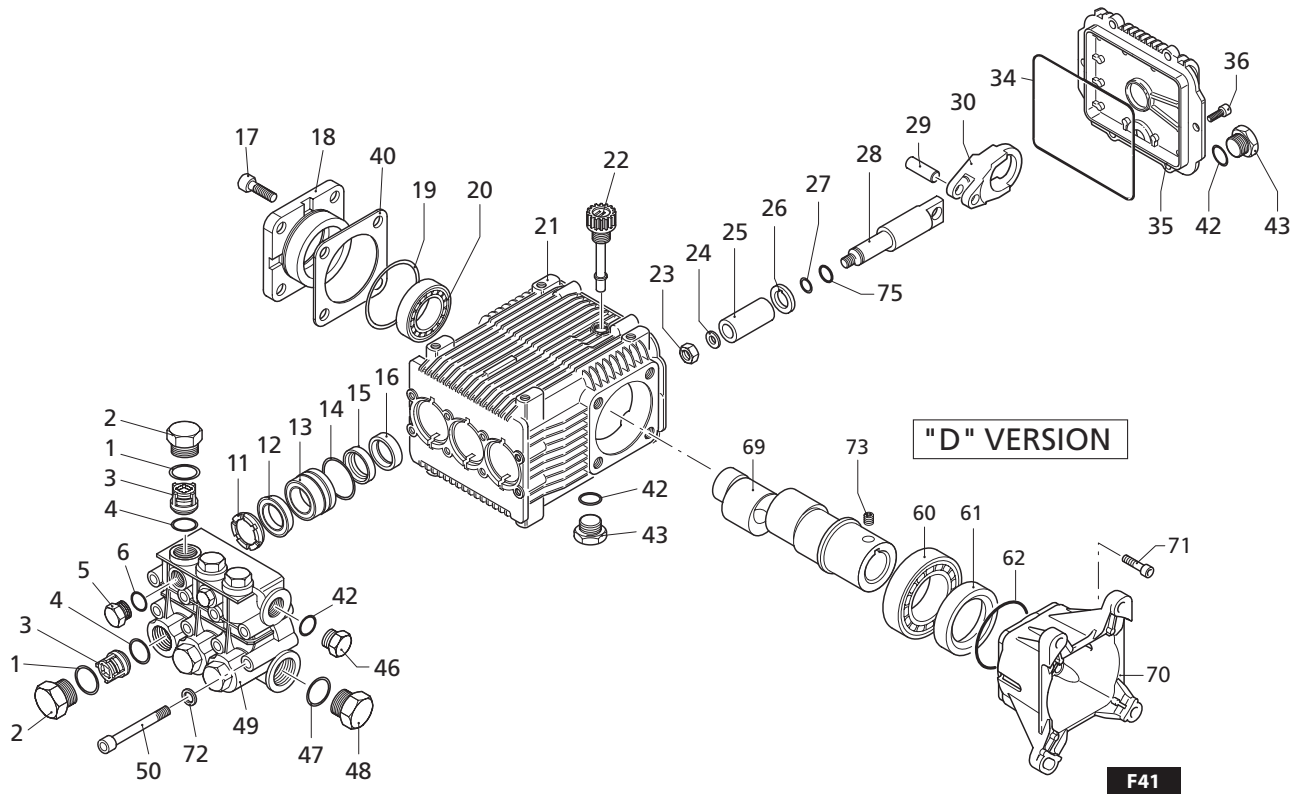
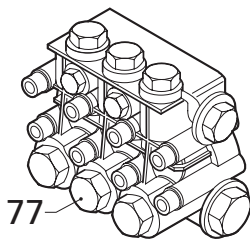


A.R. NORTH AMERICA RKV 3400 RPM



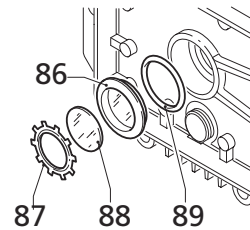
50 - 1

Complete Pump Head



50 - 2

Rear Sight Glass



50 - 3

RKV 3400 RPM PARTS/KITS

Commercial Pumps

Pos	Code	Description	Qty	Note
1	960160	O-Ring	6	
	960090	Valve Cap	6	○ ●
2	960850	Valve Cap	6	▽ ■ □ ☒ ★
	1380740	Valve Cap	6	□
3	889052	Complete Valve	6	
4	880830	O-Ring	6	
	880581	Plug	2	○ ● ■
5	1380690	Plug	2	▽ ☒ ☒ ★
6	820510	O-Ring	2	
11	960110	Support Ring	3	
12	1382740	High Pressure Seal	3	
13	1380090	Piston Guide	3	
14	961240	O-Ring	3	
15	880330	Low Pressure Seal	3	
16	880520	Oil Seal	3	
17	850370	Bolt	8	
18	1380050	Closed Bearing Support	1	
19	640030	O-Ring	2	
20	2280340	Bearing	1	
21	1382770	Pump Housing	1	
22	880130	Oil Cap (Vented Dipstick)	1	
23	962010	Nut	3	
24	962000	Washer	3	
25	1380940	Ceramic Piston	3	
26	1380950	Washer (Slinger)	3	
27	600180	O-Ring	3	
28	1380920	Piston Rod	3	
29	1380060	Connecting Rod Pin	3	
30	1383020	Connecting Rod	3	
	1383050	Connecting Rod	3	
34	1780510	O-Ring	1	
35	1789010	Rear Cover	1	
36	1343510	Bolt	6	
	1380120	Shim	1-3	
	1380130	Shim	1-3	
40	1380530	Shim	1-3	
	1382810	Shim	1-3	
42	740290	O-Ring	3	
43	1989600	Plug	2	
	1989600	Plug	1	○ ● ■
46	1981180	Plug	1	▽ ☒ ☒ ★
47	180101	O-Ring	1	
	820361	Plug	1	○ ● ■
48	960870	Plug	1	▽ ☒ ☒ ★
49	1381071	Blank Pump Head	1	○ ● ■
	1381070	Blank Pump Head	1	▽ ☒ ☒ ★
50	820150	Head Bolt	8	
60	1380320	Bearing	1	
61	621170	Shaft Oil Seal	1	

Pos	Code	Description	Qty	Note
62	1380220	O-Ring	1	
	2280140	Hollow Shaft	1	○ ▽
69	2280130	Hollow Shaft	1	● ■ ★
	2280590	Hollow Shaft	1	☒
	2280600	Hollow Shaft	1	☒
70	2281510	Blank F41 Flange	1	
71	180030	Bolt	4	
72	1381850	Lock Washer	8	
73	820440	Set Screw	1	
75	1080401	Fiber Ring	3	
	2289208	Complete Pump Head	1	○ ●
77	2289209	Complete Pump Head	1	■
	2289221	Complete Pump Head	1	▽ ☒ ☒ ★
86	1260250	Oil Sight Glass	1	
87	1260430	Retainer Ring	1	
88	1780690	Sight Glass Diffuser	1	
89	1140450	O-Ring	1	

AR64516 Oil (16 oz) - Capacity 15 oz, QTY 1
Pumps are Prefilled with Oil from the Factory.
Change oil every 3-5 months or every 500 hours of operation.
When replacing the flange, will need to order the Pos 61 and 62.
H = Nickel Plated
SS = Stainless Steel
Tightening torque (Tolerance + 0 - -10%)

OPTIONAL PARTS/KITS				
Pos	Code	Description	Qty	Note
	2809	Viton Water Seals Kit	1	
	42213	Water Seal Kit for up to 180° F	1	
	42149	Single Cylinder Piston Kit	1	Pos 23, 24, 25, 26, 27, 75
2	960090T	Tapped Valve Cap	1	
2	960850T	Tapped Valve Cap	1	
	1829	Support Ring Kit	1	Pos 11

LEGEND				
Symbol	Material	Description	Qty	Note
▽	-	RKV3.5G35H, RKV3.5G40H	1	Ø 18
○	-	RKV3.5G25, RKV3.5G30, RKV3.5G37, RKV4037	1	Ø 18
●	-	RKV4G30A, RKV4G30, RKV4G36, RKV4G37	1	Ø 18
□	-	RKV3.5G30H	1	Ø 18
■	-	RKV4G32	1	Ø 18
☒	-	RKV5.5G40H	1	Ø 18
☒	-	RKA4.5G32, RKV4.5G40H	1	Ø 18
★	-	RKV4G35H, RKV4G40H	1	Ø 18

Valve Kit 1828	
Pos.	Qty
3	6
4	6

Piston Kit 2546	
Pos.	Qty
23	3
24	3
25	3
26	3
27	3
75	3

Water Seal Kit 1857	
Pos.	Qty
12	3
14	3
15	3

Oil Seal Kit 1856	
Pos.	Qty
16	3
19	1
34	1
61	1
62	1

COUNTRY OF ORIGIN: ITALY
LAST UPDATED: APRIL 2023