

GXSHC40N

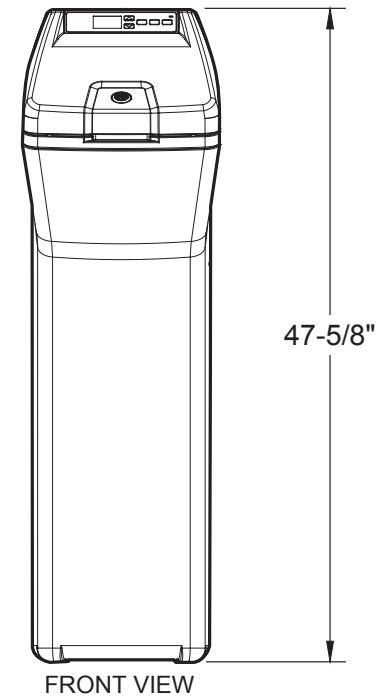
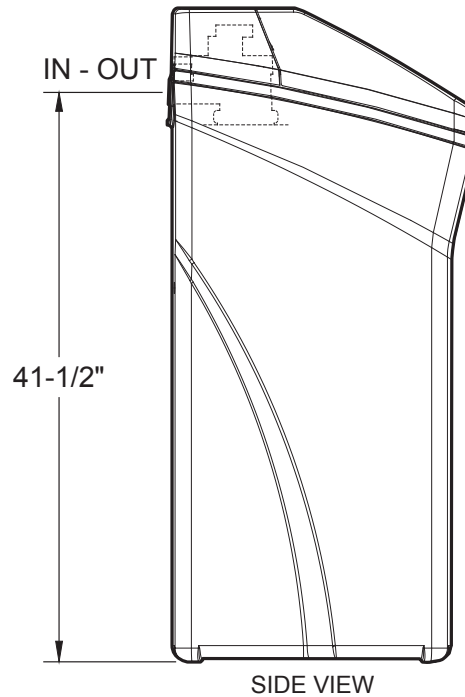
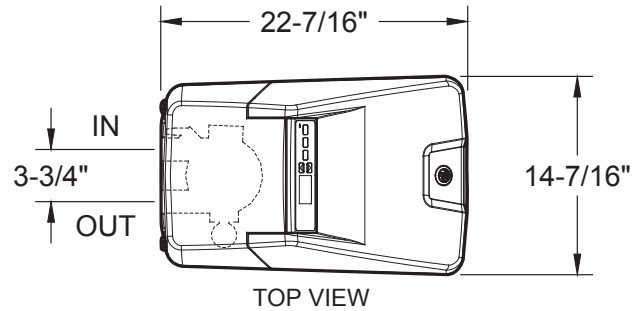
GE® Smart 40,000 Grain Water Softener

DIMENSIONS AND INSTALLATION INFORMATION (IN INCHES)

SALT CAPACITY – 230 lbs.

IMPORTANT: All units must be installed according to local codes.

NOTE: Before installing, consult installation instructions packed with product for current dimensional data.



For answers to your Monogram, GE Café™, GE Profile™ or GE Appliances product questions, visit our website at geappliances.com or call GE Answer Center® Service, 800.626.2000.



GXSHC40N

GE® Smart 40,000 Grain Water Softener

FEATURES AND BENEFITS

Built-in WiFi powered by Smart HQ™

Easy to use up-front electronic controls with status light indicator

40,000 Grain Capacity

Efficiency (5100 grains per lb.-salt)

Maximum Hardness Removal (110 gpg) / Maximum Iron Removal (8 ppm)

Salt Capacity (230 lbs)

GE Exclusive Custom Select blending valve allows you to select how soft you want your water.

GE Exclusive Salt Saver helps reduce salt consumption and uses up to 34% less salt*

GE Exclusive SmartSoft™ Technology ensures there is always plenty of softened water available by "learning" a family's water-use patterns

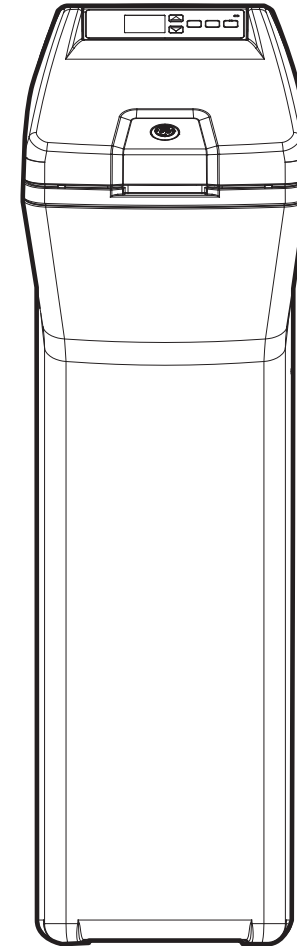
Days to Empty Indicator makes sure you never have to guess when to refill the salt tank

Self-cleaning sediment filter protects your home's plumbing

Plumbing connection up to 1.25"

Model GXSHC40N

*Based on internal analysis. Verses GE water softeners manufactured prior to 2009



For answers to your Monogram, GE Café™, GE Profile™ or GE Appliances product questions, visit our website at geappliances.com or call GE Answer Center® Service, 800.626.2000.