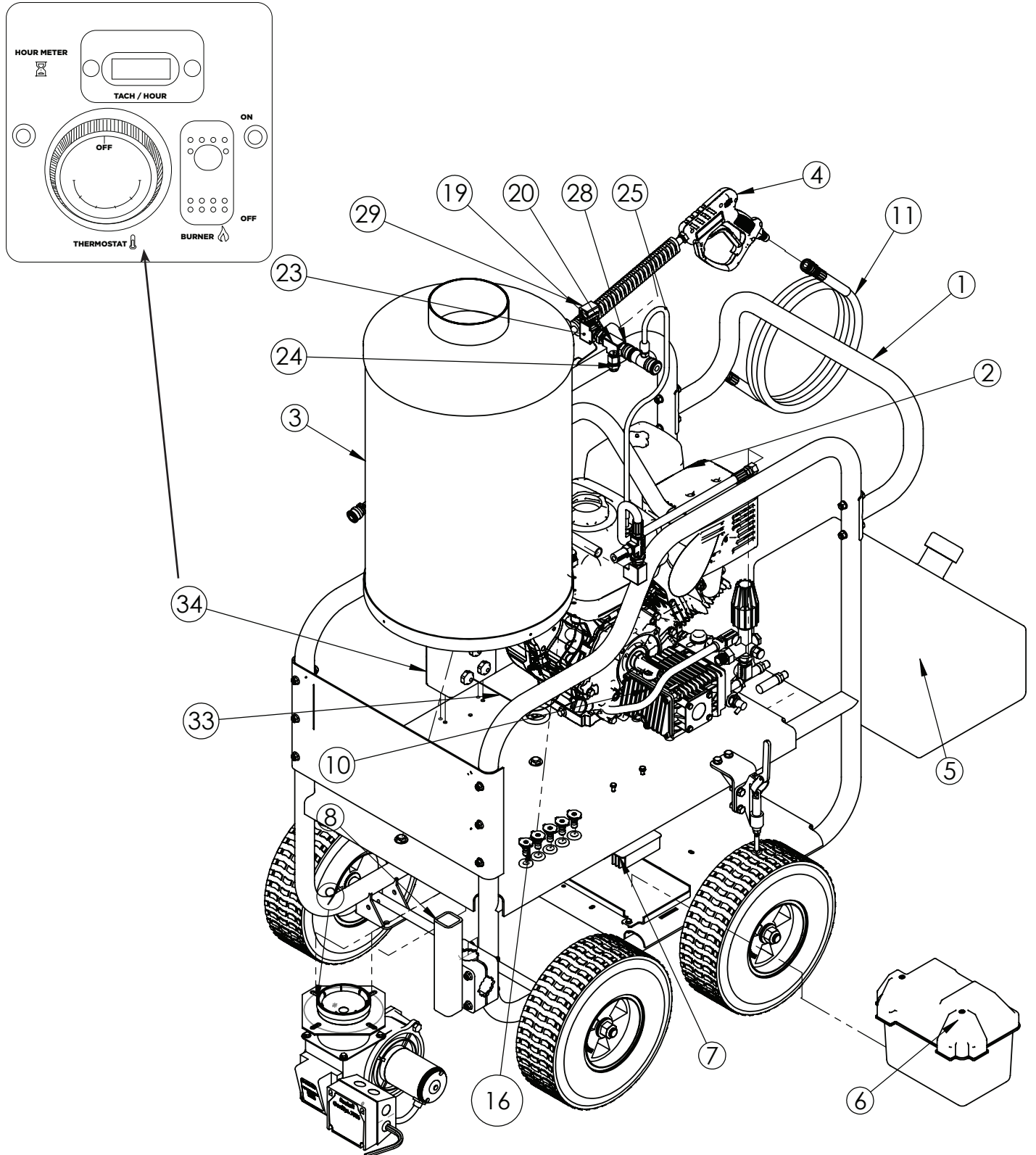




# HOT WATER PRESSURE WASHER BREAKDOWN

HW4013HG (HONDA)

HW4015RA (POWEEASE)





# HOT WATER PRESSURE WASHER BREAKDOWN

HW4013HG (HONDA)

HW4015RA (POWEEASE)

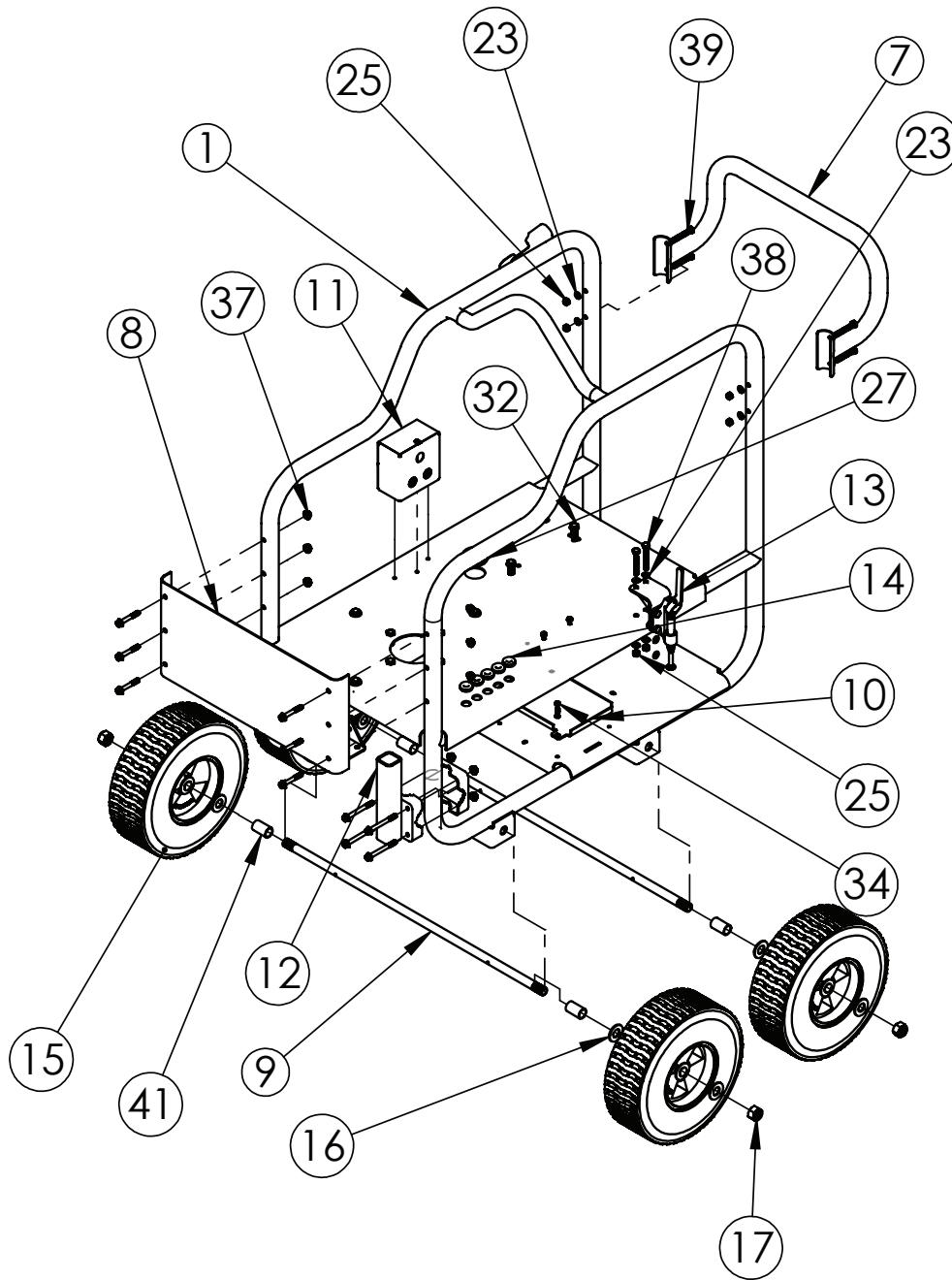
ITEM	PART NUMBER	DESCRIPTION	QTY.
1	85.600.220	Frame	1
2	N/A	Engine, 13 HP, 389cc (GX390 2QNR)	1
2	85.578.150	Engine, 420cc Powerease Engine	1
3	59.000.000	Hot Water Coil Assy, 4 GPM	1
-	59.000.117	Top Cap Coil Insulation	1
-	59.000.116	Bottom Coil Insulation	1
4	85.205.064	5000 PSI Gun & Wand Assy	1
5	85.609.039	7 Gallon Fuel Tank	1
6	85.603.003	Battery Package (Battery, Case, and Cover)	1
7	Engine Charger	18A Engine Charger (For GX390)	1
8	85.600.220-13	Hose Reel Bracket	1
9	59.000.001	Burner Assy With Fuel Pump (Beckett, ADC-12V)	1
10	85.139.021H	Triplex High Pressure Pump (EZ4040G)	1
11	85.238.251	50' High Pressure Hot Water Hose	1
12	85.704.006	Elbow, 3/8" MNPT x 3/8" FNPT - 90	2
13	85.300.055	Water Inlet Filter	1
14	85.300.024	Thermal Valve, 1/2" MNPT, 145F, 200 PSI	1
15	85.704.004	Elbow, 1/4" FNPT x 1/4" FNPT Brass	1
16	85.210.040BEP	Nozzle Set	1
17	85.202.078	3/8" Bypass Hose (36")	1
18	85.704.209	Elbow, 1/2" FNPT x 1/2" FNPT Brass	1
19	85.706.086	Nipple, 1/2" MNPT x 3/8 MNPT	2
20	85.701.006	Female Tee, 3/8" FNPT (3) Brass	2
21	85.300.042	Safety Relief Valve, 3/8" MNPT, 6000 PSI, 195F	1
22	85.238.020	3/8" Hose	1
23	85.701.008	Female Tee, 1/2" FNPT (3) Brass	1
24	Coil Pressure Relief	Pressure Relief Device for Hot Water Coil, 5000 PSI	1
25	85.400.001	Low Pressure Chemical Injector, 4000 PSI, 2.5 GPM	1
26	85.300.082	Pressure Switch, 1/4" MNPT	1
27	85.709.064	Reducer, 3/8" MNPT x 1/4" FNPT, Brass	1
28	85.300.108S	Quick-Connect Coupler, 3/8" MNPT	1
29	85.704.009	Elbow, 1/2" MNPT x 1/2" FNPT - 90 Brass	2
30	85.710.066	Hose Barb, Straight - 3/8" Barb, 3/8" MNPT	1
31	85.710.047	Hose Barb, Elbow - 3/8" Barb, 1/4" MNPT	1
32	AL607	Unloader, VRT3 4500 PSI	1
33	85.400.070	Thermostat W/ Immersed Probe	1
34	Starter Box	Starter Box (Burner ON/OFF Switch, Temp Control, Hour Meter)	1
-	806-109	Hour Meter	1
-	85.400.071	Thermostat (Temp Control)	1
-	59.000.103	Burner On/Off Switch	1



# HOT WATER PRESSURE WASHER BREAKDOWN

HW4013HG (HONDA)

HW4015RA (POWEREASE)





# HOT WATER PRESSURE WASHER BREAKDOWN

HW4013HG (HONDA)

HW4015RA (POWEEASE)

ITEM	PART NUMBER	DESCRIPTION	QTY.
1	85.600.220-01	Frame Sub Assy	1
7	85.600.220-02R2	Handle	1
8	85.600.220-09	Front Decal	1
9	85.600.220-10	Axle	2
10	85.600.220-11	Battery Tray	1
11	85.600.220-12	Burner Control Box (ON/OFF Switch, Temp Control, Hour Meter)	1
-	806-109	Hour Meter	1
-	85.400.071	Thermostat (Temp Control)	1
-	59.000.103	Burner On/Off Switch	1
12	85.600.220.13.2	Hose Reel Bracket	1
13	85.604.104	Brake Assy	1
14	85.660.008	Nozzle Grommet, Black	5
15	85.660.020F	13" Flat-Free Tires	4
16	N/A	Flat Washer, M20x40 Zinc Plated	8
17	N/A	Nylock Nut, M18	4
21	N/A	M8X80 Carriage Bolt, Zinc Plated Grade 8.8	1
22	N/A	Hex Nut, M8-Plated	1
23	N/A	Flat Washer, M8X16, 2mm Zinc Plated	20
24	N/A	M8X25 - 1.5 Hexhead Bolt-Zinc Plated	4
25	N/A	Nylock Nut, M8-Zinc Plated Grade	10
27	N/A	Nozzle Gromet, Black, 1.75" Bore Diameter	1
28	N/A	Flat Washer, M10X25, 2mm	14
29	N/A	Hex Head Bolt, M10X30	8
30	N/A	M10 Nut, Serrated-Flange	12
31	N/A	Flat Washer - M10X20, 2mm Zinc Plated	4
32	N/A	M10X50, Hexhead - Grade 8.8 Zinc Plated	4
33	N/A	Flat Washer, M6X11.5, 1.7mm Zinc Plated	11
34	N/A	Bolt, M6X25 - Hex Head, Steel Plated	4
35	N/A	Nylock Nut, M6, Zinc Plated	7
36	N/A	M8X55, Flange Head, Grade 8.8 Plated	6
37	N/A	Serrated Flange M8 Nut, Locknut	10
38	N/A	Bolt, M8X60, Hex Head, Steel Plated, 8.8 Grade	2
39	N/A	Bolt, Hex Head, M8X55	4
41	N/A	Wheel Spacer	4
43	N/A	M8X80 Flange Head	4
-	KIT123	Valve Kit (Sold Separately)	1
-	RKI153	Seal Kit (HP) (Sold Separately)	1

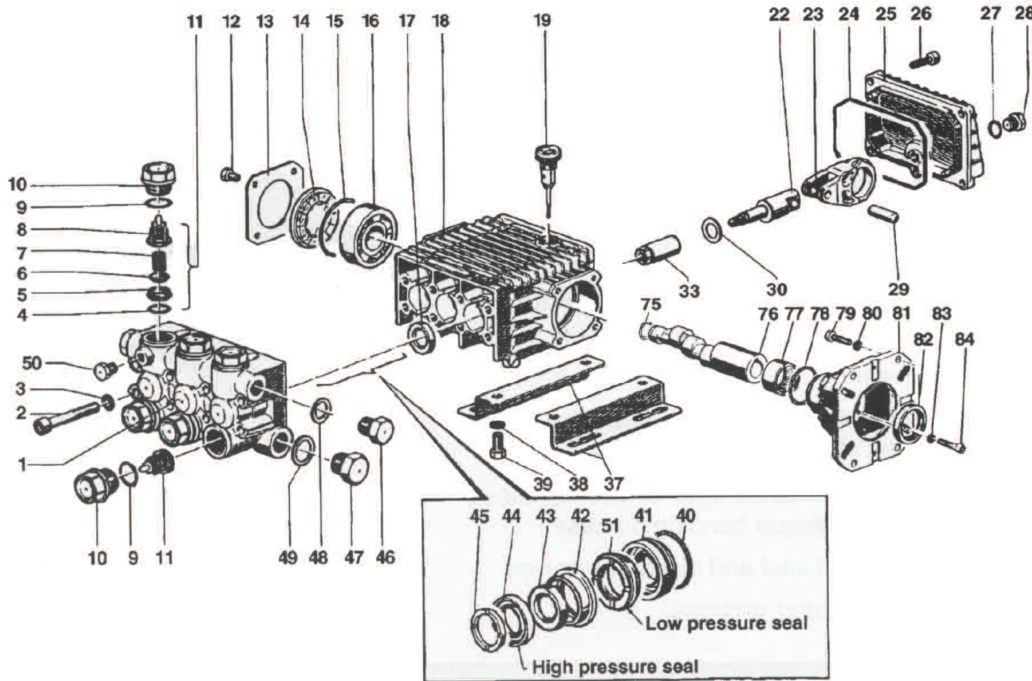


# HOT WATER PRESSURE WASHER BREAKDOWN

HW4013HG (HONDA)

## EZ Series 44 - Triplex

## GENERAL PUMP *A member of the Interpump Group*



### PARTS LIST

ITEM	PART NO.	DESCRIPTION	KIT NO.	QTY.	ITEM	PART NO.	DESCRIPTION	KIT NO.	QTY.	ITEM	PART NO.	DESCRIPTION	KIT NO.	QTY.
1.	44120641	Manifold		1	23.	44030022	Connecting Rod		3	48.	96738000	Washer		1
2.	99317500	Screw		8	24.	90392000	O-ring		1	49.	96751400	Washer		1
3.	96701400	Washer		8	25.	44160022	Rear Cover		1	50.	98196600	Cap Screw		1
4.	90384100	O-ring	123	6	26.	99183700	Screw		5	51.	90260300	Seal, Low Pressure	153,156	1
5.	36200366	Valve Seat	123	6	27.	90358500	O-ring		1	75.	90063500	Retaining Ring		1
6.	36200176	Valve	123	6	28.	98204100	Cap Screw		1	76.	44022165	Crankshaft (EZ4040G)		1
7.	94737600	Spring	123	6	29.	97734000	Pin		3		44021265	Crankshaft (EZ4035G34)		1
8.	36202551	Valve Cage	123	6	30.	96696700	Washer		3		44020965	Crankshaft (EZ4030G34)		1
9.	90384700	O-ring	124	6	33.	44040266	Plunger, 13 mm		3	77.	91856800	Roller Bearing		1
10.	98222600	Cap Screw	124	6	37.	50200074	Rail		2	78.	90409700	O-ring		1
11.	36711501	Valve Assembly	123	6	38.	96701600	Washer		4	79.	99275500	Screw, 5/16 x 1		4
12.	99180700	Screw		4	39.	99303700	Nut		4		99334500	Screw, 3/8 x 1		4
13.	50150074	Bearing Cover		1	40.	90361200	O-ring	156	3	80.	96702000	Washer, 8 mm		4
14.	44211801	Spacer		1	41.	44080370	Packing Retainer	156	3		96710400	Washer, 10 mm		4
15.	90409700	O-ring		1	42.	44216270	Intermediate Ring	156	3	81.	10051822	Gas Flange		1
16.	91832800	Ball Bearing		1	43.	90507600	Packing	153,156	3	82.	90169000	Oil Seal		1
17.	90161400	Oil Seal	23	3	44.	90260200	Packing	153,156	3	83.	96693800	Washer		4
18.	44010022	Crankcase		1	45.	44100251	Head Ring	156	3	84.	99191200	Screw		4
19.	98210300	Oil Dip Stick		1	46.	98210000	Cap Screw		1					
22.	44050166	Piston Guide		3	47.	98217600	Cap Screw		1					

### REPAIR KITS

KIT NO.	K23	K123	K124	K153	K156
ITEM NO's INCLUDED IN KIT	17	4, 5, 6, 7, 8, (11)	9, 10	43, 44, 51	40, 41, 42, 43, 44, 45, 51
NUMBER OF ASSEMBLIES IN KIT	3	6	6	3	1
NUMBER OF CYLINDERS KIT WILL SERVICE	3	3	3	3	1

### TORQUE SPECS\*

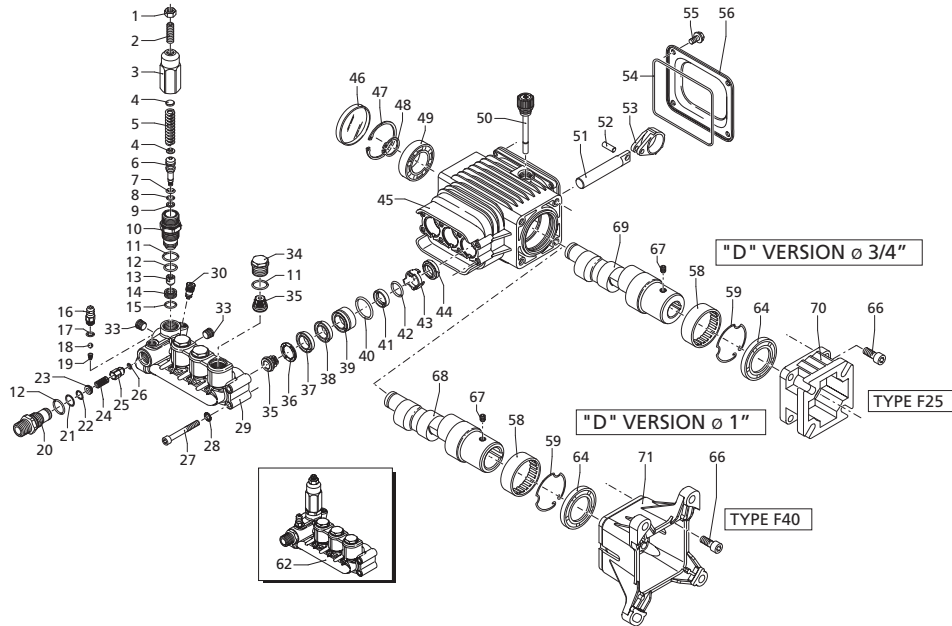
Pos.	Ft/lb	N-M
2	14.7	20
10	95.9	130
12	7.3	10
26	7.3	10
28	14.7	20
46	29.4	40
47	29.4	40
50	9.6	13
79	14.7	20
84	7.3	10

\* Decrease torque by 20% if threads are lubricated

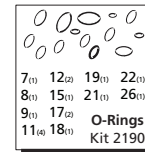
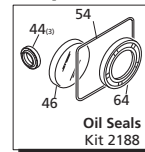
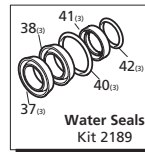


# HOT WATER PRESSURE WASHER BREAKDOWN

HW4015RA (POWEREASE)



## Repair Kits



Pos	Code	Description	Qty.	Pos	Code	Description	Qty.	Pos	Code	Description	Qty.
1	1980300	Nut M6	1	39	1981570	Piston guide	3		AR64516	Oil	1
2	2760420	Grub screw M6x12	1	40	770260	O-Ring $\phi$ 23.52x1.78	3			OIL CAPACITY - 16 OZ	
3	1980540	Unloader knob	1	41	1260440	Gasket	3		<b>Special Parts / Kits</b>		
4	1980220	Spring plate	2	42	640070	O-Ring $\phi$ 13.95x2.62	3		<b>Code</b>	<b>Description</b>	<b>Qty.</b>
5	2760410	Spring	1	43	2760310	Spacer	3		42304	EZ Start assembly	1
6	2760400	Valve piston	1	44	1260460	Oil seal	3		2186	Valve kit - up to 3200 PSI	1
7	2260100	O-Ring $\phi$ 6.02x2.62	1	45	2760010	Pump body	1		42302	Valve kit - above 3200 PSI	1
8	660190	O-Ring $\phi$ 6.07x1.78	1	46	1266740	Bearing cap	1		2280	Unloader kit up to 3200 PSI	
9	2760210	Ring	1	47	1260790	Circlip $\phi$ 1.52	1			no knob with seat	1
10	2760050	Piston guide	1	48	1780550	Snap ring	1		42369	Unloader kit above 3200 PSI	
11	1200690	O-Ring $\phi$ 15.6x1.78	4	49	2760340	Bearing	1	<input type="checkbox"/> <input type="checkbox"/> <input checked="" type="checkbox"/> <input type="checkbox"/>		no knob with seat	1
12	394280	O-Ring $\phi$ 12.42x1.78	2	50	1780490	Bearing	1	<input type="checkbox"/> <input checked="" type="checkbox"/> <input type="checkbox"/> <input type="checkbox"/>	42128	Unloader kit above 3200 PSI	
13	2260070	By-pass jet	1	51	880130	Oil cap	1			with knob without seat	1
14	2760090	Seat	1	52	2760040	Piston	3		42129	Unloader kit above 3200 PSI	
15	770140	O-Ring $\phi$ 11.11x1.78	1	53	1780050	Piston pin	3			with knob with seat	1
16	1982520	Hose nipple	1	54	1780040	Con rod Aluminum	3	<input type="checkbox"/> <input type="checkbox"/> <input checked="" type="checkbox"/> <input type="checkbox"/>	42527	Complete manifold with EZ start	1
18	1250280	Ball	1	55	1780710	Con rod Bronze	3	<input type="checkbox"/> <input checked="" type="checkbox"/> <input type="checkbox"/> <input type="checkbox"/>	2769201	Complete manifold non EZ start	1
19	1560520	Spring	1	56	2760280	O-Ring $\phi$ 101.27x2.62	1		2761050	Bare manifolds with EZ start	1
20	2760230	Detergent injector 3/8" G	1	58	802190	Bolt M6x12	4	(71 in/lbs)	2760330	Bare manifolds non EZ start	1
21	2760270	O-Ring $\phi$ 12x1	1	59	2760110	Rear cover	1				
22	1470210	O-Ring $\phi$ 9x1	1	62	2760350	Bearing	1	<input type="checkbox"/> <input type="checkbox"/> <input checked="" type="checkbox"/> <input type="checkbox"/>			
23	2760120	Injector insert	1	68	1321190	Bearing	1	<input type="checkbox"/> <input checked="" type="checkbox"/> <input type="checkbox"/> <input type="checkbox"/>			
24	2760200	Spring	1	69	1321080	Snap ring	1				
25	2760130	Jet	1		2769201	Complete pump head w/o EZ start	1				
26	1460430	O-Ring $\phi$ 4x2.5	1		2769209	Complete pump head EZ-start	1				
27	801080	Bolt M6x50	8	64	480671	Oil seal	1				
28	1381550	Lockwasher	8	66	180030	Bolt M8x20	4				
29	2760020	Head - w/o EZ-start	1	67	820440	Set screw M6	1				
	2761050	Head - Bare EZ-start	1		1780340	Hollow shaft $\phi$ 1"	1	<input type="checkbox"/> <input checked="" type="checkbox"/> <input type="checkbox"/> <input type="checkbox"/>			
	2760330	Head - Bare w/o EZ-start	1		1780920	Hollow shaft $\phi$ 1"	1	<input type="checkbox"/> <input type="checkbox"/> <input checked="" type="checkbox"/> <input type="checkbox"/>			
30	2760630	EZ-start plug	1		1780330	Hollow shaft $\phi$ 1"	1	<input type="checkbox"/> <input type="checkbox"/> <input type="checkbox"/> <input checked="" type="checkbox"/>			
33	2760260	Plug 1/4" G	2		1780590	Hollow shaft $\phi$ 3/4"	1	3GPM #9			
34	2760180	Plug	3		1780600	Hollow shaft $\phi$ 3/4"	1	2.5GPM #10			
35	2769050	Complete valve	6	70	1780580	Flange F25	1	<input type="checkbox"/> <input checked="" type="checkbox"/> <input type="checkbox"/> <input type="checkbox"/>			
36	2760220	Support ring	3	71	2760290	Flange F40	1	<input type="checkbox"/> <input checked="" type="checkbox"/> <input type="checkbox"/> <input type="checkbox"/>			
37	1342761	Gasket	3								
38	1981580	Ring	1								

Legend			
$\phi$ 15	$\phi$ 15	$\phi$ 15	$\phi$ 15
For <input type="checkbox"/> RSV2.5G25	For <input type="checkbox"/> RSV3G25	For <input type="checkbox"/> RSV3.5G35	For <input type="checkbox"/> RSV4G30
	For <input type="checkbox"/> RSV3G30		For <input type="checkbox"/> RSV4G35
	For <input type="checkbox"/> RSV3G34		For <input type="checkbox"/> RSV4G40
	For <input type="checkbox"/> RSV3G35		