

KV NOZZLE WEAR KIT P/N 891127



BILLY GOAT KV NOZZLE WEAR KIT (P/N 891127)

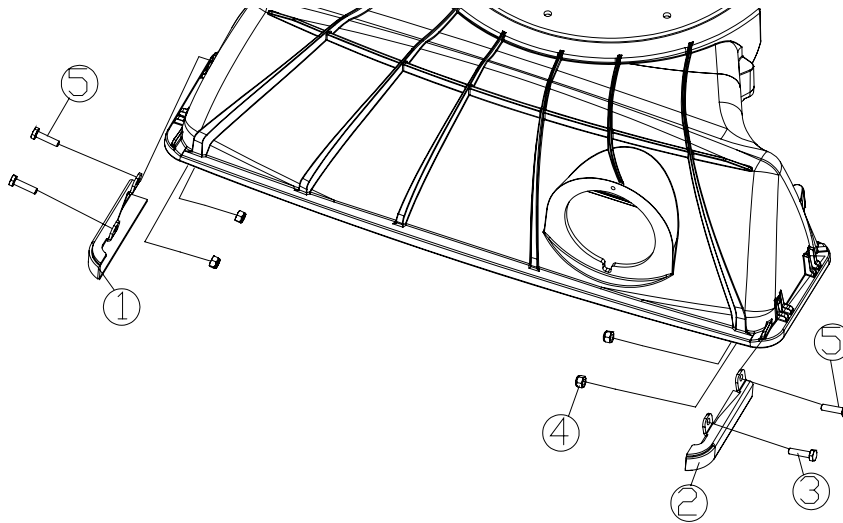
PURPOSE: Keeps nozzle from scraping the ground and decreases damage to nozzle.



KV NOZZLE WEAR KIT P/N 891127

INSTALLATION:

1. Disconnect spark plug wire.
2. Raise the nozzle height to its highest position and secure the unit from moving.
3. Remove the two bolts, nuts and washers on the sides of the nozzle that hold the reinforcement bracket on the interior of the nozzle.
4. Slide the guards into place then secure the guards with the two front bolts previously removed and replace the rear bolts with the ones provided with the kit.
5. Tighten the hardware using two 7/16" wrenches.
6. Repeat steps 2 through 5 on the left hand side.
7. Reconnect spark plug.



ITEM NO.	PART NUMBER	DESCRIPTION	QTY.
1	891029	NOZZLE GUARD RH	1
2	891031	NOZZLE GUARD LH	1
5	8041007	SCREWCAP 1/4-20 X 1 1/4"	2
Reference parts			
3	8041006	SCREWCAP 1/4-20 X 1"	2
4	8160001	NUT LOCK 1/4-20	4