



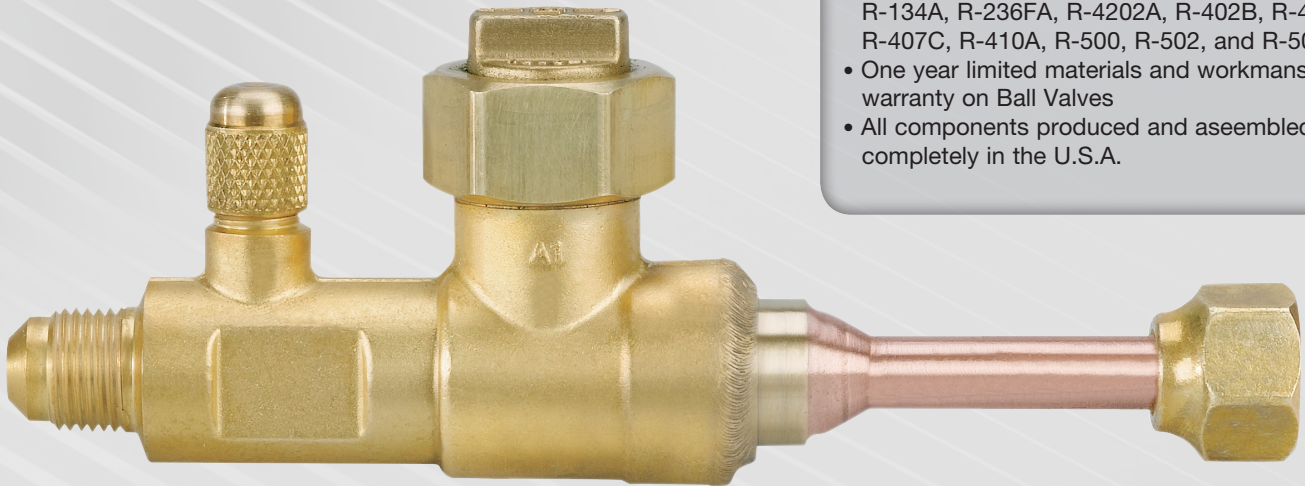
BV-FF Series Unibody Design Ball Valves

- Engineered for Mini-split and Multi-split HVAC Units
- Full Port Design
- 700 PSIG Rated
- R410A Compatible
- Flare Connections

Model numbers:

- BV14FFSI2**
- BV38FFSI2**
- BV12FFSI2**
- BV58FFSI2**

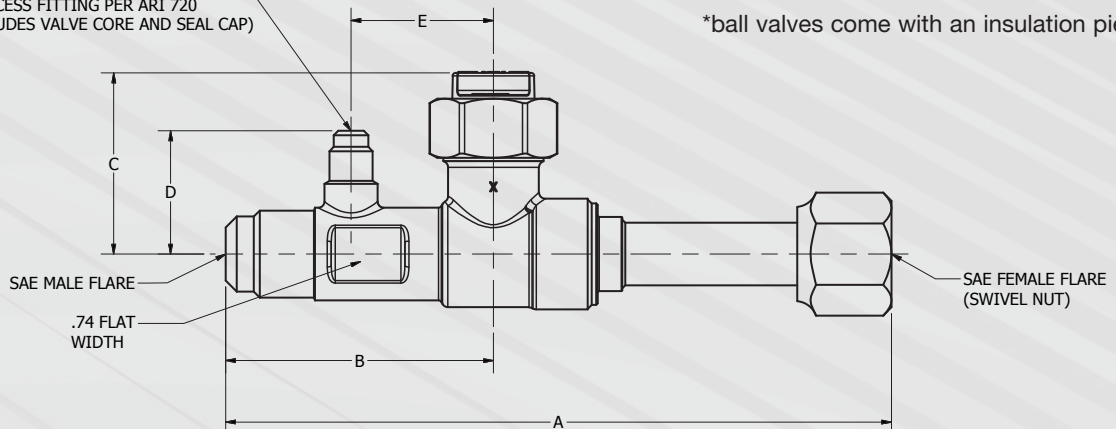
- Size available: 1/4"; 3/8"; 1/2"; 5/8"
- Fully factory assembled
- Single piece "Unibody" design to eliminate most welded joints
- Furnace brazed and pressure tested
- Each ball valve is equipped with Schrader Valve for refrigerant service—valve rated to 700 psi
- Design working pressure: 700 PSIG
- Temperature range: -40° F to +325° F (-40° C to +149° C)
- Forged brass body and seal cap
- Teflon® seals and gaskets (no synthetic O-rings)
- Seal cap design permits valve operation without removal of seal cap
- Suitable for use with R-11, R-22, R-123, R-125, R-134A, R-236FA, R-4202A, R-402B, R-404A, R-407C, R-410A, R-500, R-502, and R-507
- One year limited materials and workmanship warranty on Ball Valves
- All components produced and assembled completely in the U.S.A.



Part Number	SAE Flare	A	B	C	D	E	F
BV14FFSI2	1/4"	6.26	2.67	1.81	1.23	1.42	1.10
BV38FFSI2	3/8"	6.30	2.67	1.81	1.23	1.42	1.10
BV12FFSI2	1/2"	6.51	2.67	1.81	1.23	1.42	1.10
BV58FFSI2	5/8"	6.64	2.67	1.81	1.23	1.42	1.10

1/4" SAE MALE FLARE
W/ACCESS FITTING PER ARI 720
(INCLUDES VALVE CORE AND SEAL CAP)

*ball valves come with an insulation piece





DIAMONDBACK™

BV-FF Series Unibody Design Ball Valves (insulation details)

Design Ball Valves

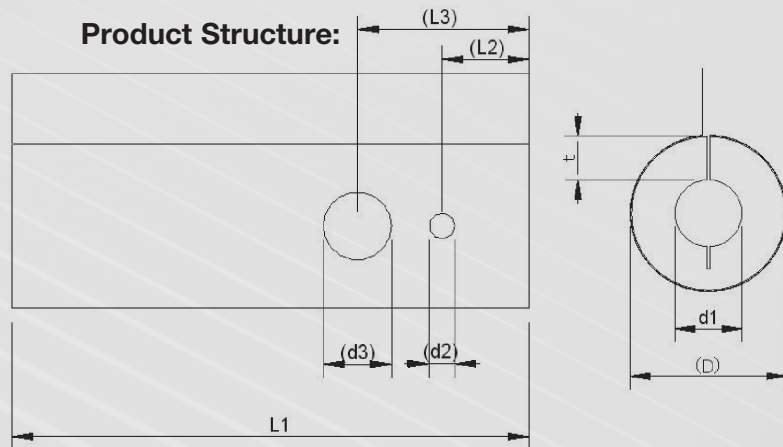


Product name: Ball valve insulation
Product code: HKG-20HF

Materials:

- 1) Insulation
inner and outer layer Polyethylene foam (PEF)
- 2) Covering
Adhesive tape of Polyvinyl chloride (PVC)
- 3) Separator
Soft film of Polyvinyl chloride (PVC)

Product Structure:



Physical property:

Insulation

Unit: inches (mm)

Performance items	Unit	Performance
Density	lb/ft ³ (kg/m ³)	1.87 (30)
Heat Conductivity (at 23° C)	W/m•K	0.040
Tensile Strength	N/cm ²	23
Heat Resistant	° F (° C)	≤176 (≤ 80)
UL-94	-	HF-1

Product Code	d1	t	(D)	L1	(d2)	(d3)	(L2)	(L3)
HKG-20HF	1 3/8 (30)	3/4 (20)	2 3/4 (70)	8 9/16 220	7/8 (11)	1 9/64 (29)	1 15/32 (37)	2 7/8 (73)

Package includes two Zip Ties for closure in addition to adhesive flap.



Mitsubishi Electric Cooling & Heating
1340 Satellite Boulevard
Suwanee, GA 30024
Phone: 888-467-7546 Fax: 800-658-1458

