



**PRO**



**145 YEARS OF  
INNOVATION**

**DESIGNED, ENGINEERED, AND BUILT TO LAST**



**A.O. Smith Pro Water Treatment  
Residential Product Catalog**

[aosmith.com/wholesale](https://aosmith.com/wholesale)



---

## WHY A. O. SMITH

Every product that carries the A. O. Smith name has a reputation to live up to, one that we've earned through 145 years of innovation. As leaders in our industry, we constantly look for new materials and develop new technologies that can improve energy efficiency, perform better, and make our customers' lives easier. When you choose an A. O. Smith residential water solution, whether it's a water filter, water softener, or whole house conditioner, know that you are getting the best solution - for today, and for years to come.

---





## TABLE OF CONTENTS

Water Solutions.....	3
Water Softening Product Selector.....	4-5
Water Filtration Product Selector.....	6-7
Water Softening.....	8-9
Water Filtration.....	10-13
Accessories.....	14-15
Water Conditioning.....	16
Contractor Rewards.....	17

## CONTACT US

[watertreatmentpro@aosmith.com](mailto:watertreatmentpro@aosmith.com)

Wholesale Filters 833.232.9711

Wholesale Softeners 833.232.9712



## Water Softening

**Soften water throughout your home to protect your appliances and eliminate hard water spots and stains.**

A. O. Smith water softeners reduce excessive calcium and magnesium to solve hard water problems throughout your home.



## Water Conditioning

**Reduce chlorine taste and odor along with scale buildup to lengthen the life of pipes and appliances.**

The A. O. Smith water conditioner combines obsessively engineered filtration and salt-free scale reduction technology.



## Water Filtration

**Get clean, filtered water for all of your drinking and cooking needs.**

A. O. Smith water filters reduce contaminants and undesirable color, taste and odor, so you can drink with confidence.

# I NEED A SOLUTION FOR HARD WATER

I want a salt-free solution.



**STOP**  
Test your water for hardness and iron.  
Does your water contain iron?

YES

NO

I need a water softener.



I have a high-flow shower or large jetted bathtub.



I have 1-2.5 standard bathrooms.

I have 3-5 standard bathrooms.

**Water Conditioner**  
AOW-FC600  
*See page 16 for more details.*



**Water Softener**  
AOW-S400\*  
*See page 8 for more details.*



**Water Softener**  
AOW-S500\*  
*See page 9 for more details.*

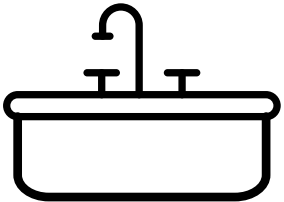


\*Softener is rated up to 10 parts per million of iron.

\*Softener is rated up to 10 parts per million of iron.

# I NEED A SOLUTION FOR BAD TASTE, ODOR OR CONTAMINANTS

**I want to use my existing faucet.**  
I do not want to drill a hole in my countertop.



**I want a dedicated faucet at my sink with the highest contaminant removal.**

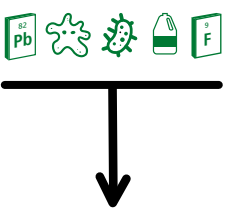
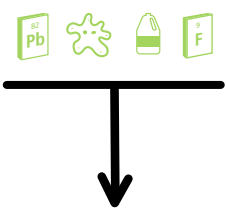
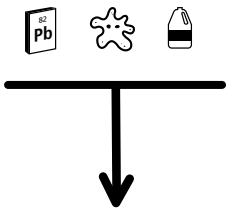
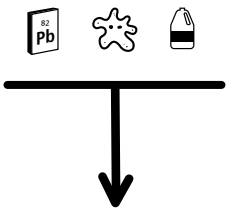


**GOOD**  
Reduces 5 contaminants.  
Includes lead, cysts, and chlorine taste & odor

**GOOD**  
Reduces 77 contaminants.  
Includes, lead, cysts, pharmaceuticals, VOCs, chlorine taste & odor and more.

**BETTER**  
Reduces 88 contaminants.  
Includes, fluoride, lead, cysts, pharmaceuticals, VOCs, chlorine taste & odor and more.

**BEST**  
Reduces 90 contaminants.  
Includes bacteria, viruses, fluoride, lead, cysts, pharmaceuticals, VOCs, chlorine taste & odor and more.



**High Flow Main Faucet Filter**  
AOW-100  
*See page 10 for more details.*



**2- Stage Drinking Water Filter**  
AOW-2000  
*See page 11 for more details.*



**Reverse Osmosis**  
AOW-3000  
*See page 12 for more details.*



**Reverse Osmosis + Microbial Boost**  
AOW-4000  
*See page 13 for more details.*





# A. O. Smith Pro Water Softeners

Designed for durability - protect your home from the effects of hard water. Reduce scale buildup, eliminate water spots and stains, extend the life of your appliances and preserve the colors in your favorite fabrics.



Perfect for 1-2.5 bathroom homes

**AOW-S400**  
34,000 Grain Capacity



Perfect for 3-5 bathroom homes

**AOW-S500**  
49,800 Grain Capacity



## Features and benefits of the AOW-S400 and AOW-S500



**Designed, engineered and built to last.**  
Patented, slim, single-unit design with bypass valve



**Get peace of mind with our limited warranty**



**No sediment filter changes - ever.**  
Save time and money with the self-cleaning sediment filter



**Power loss protection.**  
Backup battery saves your settings in case of power loss



**Fast and quiet regeneration.**  
Recharges softening media quickly so you don't experience downtime



**Modify settings with touchscreen**  
2.7" monochrome touchscreen controller

### AOW-S400 34,800 Grain Capacity Specifications

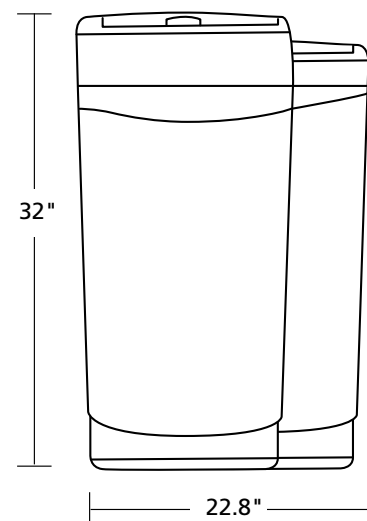
AOW-S400	
Flow Rate	7 GPM (L/min)
Grain Capacity	34,800
Min Pressure	20 (1.4)
Max Pressure	120 (8.3)
Min Temperature	40° F (4° C)
Max Temperature	120° F (49° C)
Inlet/Outlet	1" MIP
Certification #'s	Standard 44
Certifier	NSF/ANSI
Max Iron Rating	10 parts per million
Warranty	1yr complete unit 3yr electronics 5 yr valve 12yr media tank and cabinet

### Installation Location

Place before water heater

### Salt Storage Capacity

200 lbs



### AOW-S500 49,800 Grain Capacity Specifications

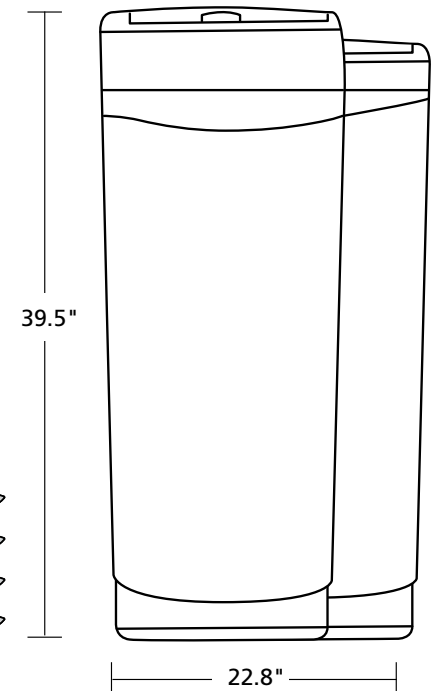
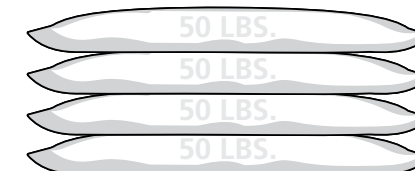
AOW-S500	
Flow Rate	7 GPM (L/min)
Grain Capacity	49,800
Min Pressure	20 (1.4)
Max Pressure	120 (8.3)
Min Temperature	40° F (4° C)
Max Temperature	120° F (49° C)
Inlet/Outlet	1" MIP
Certification #'s	Standard 44
Certifier	NSF/ANSI
Max Iron Rating	10 parts per million
Warranty	1yr complete unit 3yr electronics 5 yr valve 12yr media tank and cabinet

### Installation Location

Place before water heater

### Salt Storage Capacity

200 lbs



## High Flow Main Faucet Filter

AOW-100

Enjoy great-tasting water straight from your kitchen faucet. Reduce up to 99% of lead, cysts, and chlorine taste and odor without sacrificing water pressure.

- Reduce up to 99% of lead, cysts, chlorine taste and odor
- Single stage filtration provides access to clean, filtered water straight from your cold water line to your main faucet
- Install your system and change your filters with ease
- Works with existing kitchen faucet - No dedicated faucet required
- IAPMO certified to NSF/ANSI standards 42 & 53
- No electricity required



**GOOD PERFORMANCE**



1 Year Limited Warranty



Each filter lasts 1 Year or 4,750 gallons

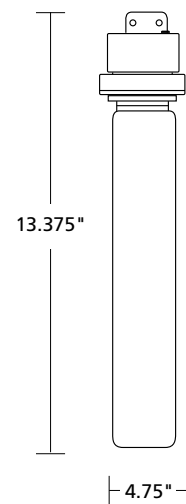
### Specifications

AOW-100	
Flow Rate	1.5 GPM
Capacity	4,750 gal
Min Pressure	10 psi
Max Pressure	125 psi
Min Temperature	35° F (1° C)
Max Temperature	100° F (37° C)
Cold Water Line*	Yes
Certification #'s	42, 53
Certifier	IAPMO
Cartridge length	10"
Dims	4" x 4.75" 13.375"
Connections I/O	3/8" push fit
Warranty	1 year

\*Used on cold water line only. Will not filter hot water.

### Installation Location

Fits under sink



### Replacements

- Replace every year or 4,750 gallons

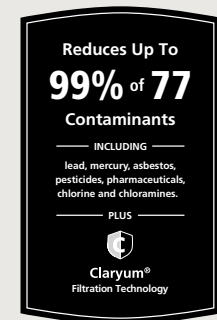


## 2-Stage Drinking Water Filter

AOW-2000

Optimally clean water for all of your water needs straight from a dedicated faucet. Reduce up to 99% of 77 harmful contaminants including lead, mercury, asbestos, pesticides, pharmaceuticals, chlorine, and more.

- Reduce up to 99% of 77 contaminants
- Two-stage Claryum filtration provides access to clean, filtered water whenever you need it
- Install your system and change your filters with ease
- Brushed Nickel, All Metal Faucet
- Conforms to NSF/ANSI standards 42, 53, 401, & P473
- No electricity required



**GOOD PERFORMANCE**



1 Year Limited Warranty



Each filter lasts 6 months or 500 gallons

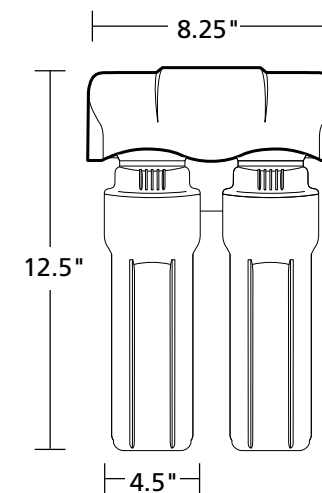
### Specifications

AOW-2000	
Flow Rate	.5 GPM
Capacity	500 gal
Min Pressure	20 psi
Max Pressure	80 psi
Min Temperature	40° F (4° C)
Max Temperature	90° F (32° C)
Cold Water Line*	Yes
Certification #'s	42, 53, 401 and P473
Certifier	NSF
Dims	8.25" x 4.5" x 12.5"
Warranty	1 year

\*Used on cold water line only. Will not filter hot water.

### Installation Location

Fits under sink



### Replacements

- 2-pack Claryum
- Replace every 6 months or 500 gallons



## Reverse Osmosis

### AOW-3000

Reverse Osmosis - reduce up to 99% of 88 harmful contaminants including lead, fluoride, chromium, mercury, asbestos, pesticides, pharmaceuticals, chlorine, and more.

- Reduce up to 99% of 88 contaminants
- Access to clean, filtered water from your dedicated faucet
- Designed for easy filter replacements
- Brushed Nickel, All Metal Faucet
- Conforms to NSF/ANSI standards 42, 53, 58, 401 & P473
- No electricity required



BETTER PERFORMANCE



Perfect for 1-4+ people



2 Year Limited Warranty



Each filter lasts 6 months to two years

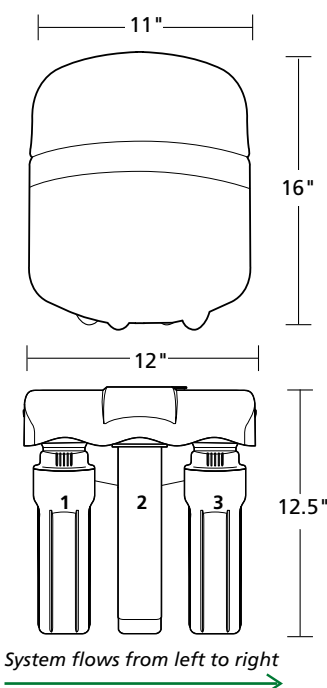
### Specifications

AOW-3000	
Flow Rate	up to .8 GPM
Capacity	13.32 GPD
Min Pressure	40 psi
Max Pressure	100 psi
Min Temperature	40° F (4° C)
Max Temperature	100° F (37° C)
Cold Water Line*	Yes
Certification #'s	42, 53, 58, 401 and P473
Certifier	NSF
Warranty	2 years

\*Used on cold water line only. Will not filter hot water.

### Installation Location

Fits under sink



System flows from left to right

### Replacements

- **RO membrane Cartridge**  
Replace every 12-24 months
- **Carbon Filter & Claryum Filter**  
Replace every 6-12 months or 365 gallons



## Reverse Osmosis

### AOW-4000

Reverse Osmosis with Microbial filtration - reduce up to 99% of 90 harmful contaminants including fluoride, bacteria, viruses, lead, chromium, mercury, pesticides, pharmaceuticals, chlorine, and more.

- Reduce up to 99% of 90 contaminants including bacteria and viruses
- Access to clean, filtered water from your dedicated faucet
- Remineralizer with Microbial Filtration returns the healthy minerals lost while removing bacteria and viruses
- Designed for easy filter replacements
- Brushed Nickel, All Metal Faucet
- Conforms to NSF/ANSI standards 42, 53, 58, 401, P473, & P231



BEST PERFORMANCE



Perfect for 1-4+ people



2 Year Limited Warranty



Each filter lasts 6 months to two years

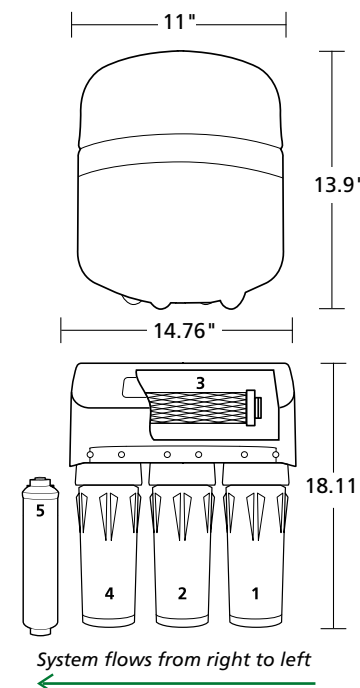
### Specifications

AOW-4000	
Flow Rate	.8 GPM
Capacity	83.93 GDP
Min Pressure	40 psi
Max Pressure	100 psi
Min Temperature	40° F (4° C)
Max Temperature	100° F (37° C)
Cold Water Line*	Yes
Certification #'s	42, 53, 58, 401, P473 and P231
Certifier	NSF
Warranty	2 years

\*Used on cold water line only. Will not filter hot water.

### Installation Location

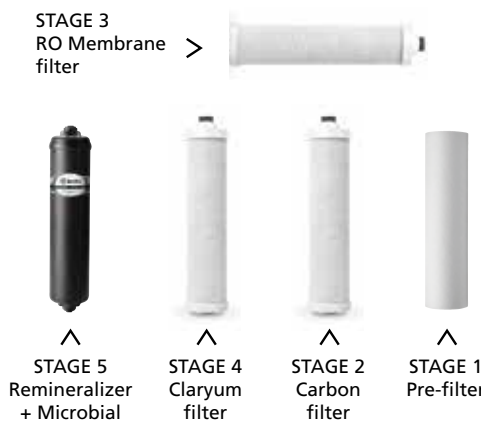
Fits under sink



System flows from right to left

### Replacements

- **Pre-filter, Carbon, Claryum® and Remineralizer with Microbial Filter**  
Replace every 6 months
- **Membrane Filter**  
Replace every 12-24 months





## Acid Neutralizer

Neutralize acidic condensation from high efficiency tankless water heaters making it safe to discharge into the sewage or septic system.

- Prevents premature deterioration or damage to metal pipe, ABS pipe, septic tanks, plants, concrete and other materials



**PERFECT FOR**  
NEUTRALIZING ACID CONDENSATION



1 Year Limited Warranty



Each filter lasts 1 year

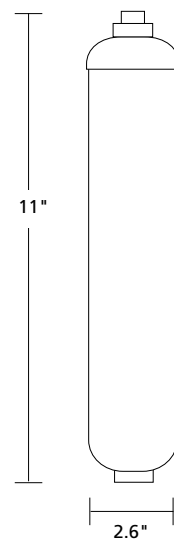
### Specifications

ACID NEUTRALIZER	
Flow Rate	Gravity Flow
Min Pressure	Non-Pressurized
Max Pressure	Non-Pressurized
Cold Water Line*	Condensate Line
Sump lengths	11"
Dims	11" x 2.6"
Connections I/O	3/8" NPT
Warranty	1 Year

\*Used on cold water line only. Will not filter hot water.

### Installation Location

On the condensate drain line



### Replacements

- Replace every year



## Inline Descaler

### AOW-AS20

Prevent scale buildup and extend the life of your water heater with the Inline Descaler.

- Save on extensive, costly repairs from damage due to scale buildup
- Promote formation of inactive scale crystals that flow through the water heater to stop them from sticking to the heat exchanger
- Filter does not add chemicals to the water and does not require electricity



**PERFECT FOR**  
WATER HEATER PROTECTION



2 Year Limited Warranty



Each filter lasts 2 years

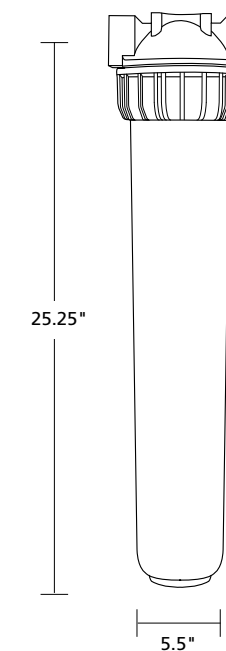
### Specifications

AOW-AS20	
Flow Rate	7 GPM
Min Pressure	20 psi
Max Pressure	100 psi
Min Temperature	40° F (4° C)
Max Temperature	100° F (37° C)
Cold Water Line*	Yes
Sump lengths	20"
Dims	25.25" x 5.5"
Connections I/O	1" NPT
Warranty	2 Years

\*Used on cold water line only. Will not filter hot water.

### Installation Location

Place before water heater



### Replacement

- Replace every 2 years



## Water Conditioner

### AOW-FC600

With A. O. Smith, reducing scale in your water has never been easier. Lengthen the life of your appliances and reduce scale buildup in pipes and plumbing while reducing more than 97% of chlorine throughout your entire home.

- Salt-free technology – No cleaning, backwashing, salt-bags or electricity required
- Reduce scale build up and more than 97% of chlorine for up to 6 years or 600,000 gallons
- City or Well Water – engineered to work with both
- Includes one Whole House Conditioner and hose adapter
- NSF certified to NSF/ANSI standards 42



Perfect for 1-5 bathroom homes



Long lasting 6-year filter includes a 6-year warranty



Improves skin & hair softness



Engineered for city or well water

### Specifications

AOW-FC600	
Flow Rate	7 GPM
Capacity	600,000 Gal
Min Pressure	20 psi
Max Pressure	100 psi
Min Temperature	40° F (4° C)
Max Temperature	90° F (32° C)
Cold Water Line*	Yes
Connections I/O	1" FIP
Max Iron Rating	Up to 0 Parts per million
Certification #'s	42
Certifier	NSF
Warranty	6 Years

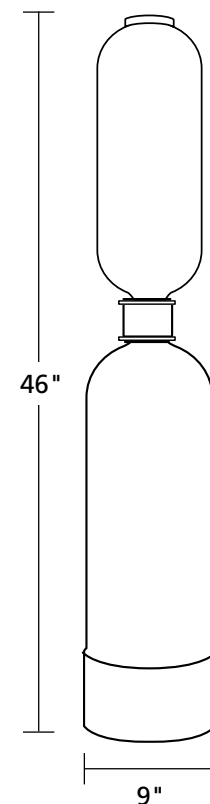
\*Used on cold water line only. Will not filter hot water.

### Installation Location

Place before softener or water heater

### Replacements

- Replace every 6 years or 600,000 gallons



## Earn points with Contractor Rewards with every purchase:

Earn points by purchasing A. O. Smith Water Treatment systems. Enroll online at [contractorrewards.com](http://contractorrewards.com). Eligible products will have an indication on the outside and inside of the box.

### 3 WAYS TO SUBMIT

It's free and now easier than ever to participate.

- 1 Email
- 2 Desktop
- 2 Mobile

### REQUIRED INFORMATION

However you submit, your invoices should contain everything below.

- Distributor Name
- Business Address
- Invoice Date
- Product Name
- Invoice Number
- Quantity
- Business Name

With over 1,000,000 items in the shop, your choices are endless.

Invoices must be submitted within 60 days of the Invoice Date. Look for the helpful new feature on the "Submit Invoices" tab: Accepting invoices dated back to Month Day, Year.

## A.O. Smith provides 4 key tools to help you grow your business and become more profitable.



**Contractor Rewards Program**  
Our program rewards our loyal contractors for buying our products. Buy more and get rewarded with prizes and higher status on our Contractor Locator.



**Brand Support**  
Marketing investment in our brands drives consumers to recognize our name, visit our websites, locate local contractors and request products.

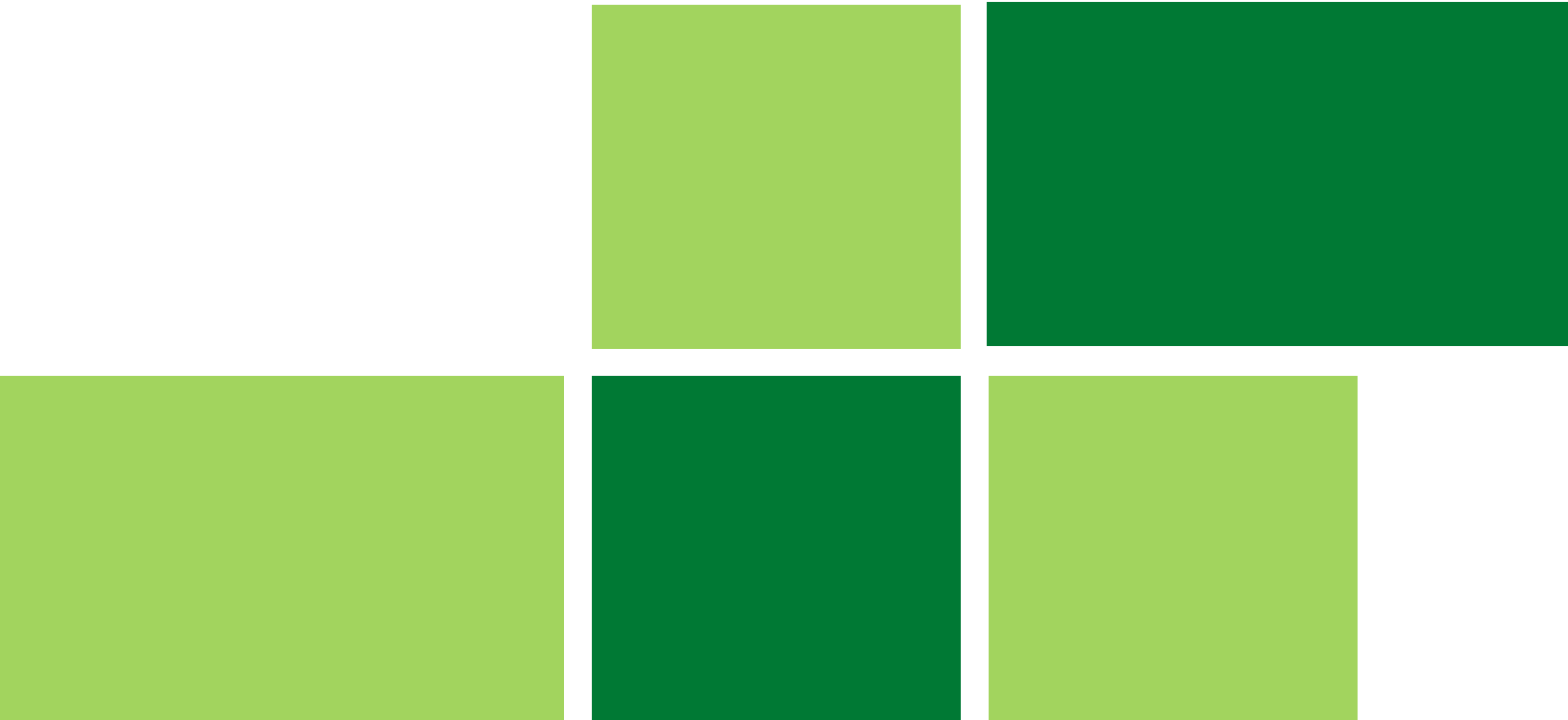


**Product Sales Tools**  
We provide contractors access to the sales tools needed to close more sales.



**Contractor Locator**  
Online locator driving thousands of consumers from our website right to our loyal contractors — you. Your company listing is free and generated for you when you participate in our Contractor Rewards™ program.

Visit [www.aosmith.com/wholesale](http://www.aosmith.com/wholesale) to learn more.



**PRO**

**A. O. Smith Corporation**

P.O. Box 1597 | Johnson City, TN 37605-1597

**Wholesale Filters 833.232.9711 | Wholesale Softeners 833.232.9712**

[www.aosmith.com/wholesale](http://www.aosmith.com/wholesale)