

CALAIR 60037BD 3.7 HP 60 GALLON ASME TANK AIR COMPRESSOR

3.7 HP
Electric Motor

Pressure Gauge

CONTINUOUS RUNNING
Up To 8 Hours At 90 Psi

Manual
Ball Drain Valve

Power On/
Pressure Switch

Motor Thermal
Overload Protector
(Trips @135C)

1/2" NPT
Output Port

60 Gallon ASME
Steel Air Tank

Belt-Driven Pump
(2 Cylinder, Oil Lubricated)



5000 - 10000+ Hour Life
Cycle Before Wear



Ideal for
Continuous
Tool Operations



Less Maintenance
And Costs

Oil-Lubricated



SPECIFICATIONS AND PERFORMANCE



Weight
265 Pounds



Noise Level
90 Decibels



Maximum Pressure
180 PSI



Voltage
208 Volt (200V-216V) to
230 Volt (220V-240V) / 60 Hertz / Single Phase



Low Amp Draw
16.7 Amps



VERSATILE USE IN ANY ENVIRONMENT



Trim & Impacting/Wrenching



Air Brushing

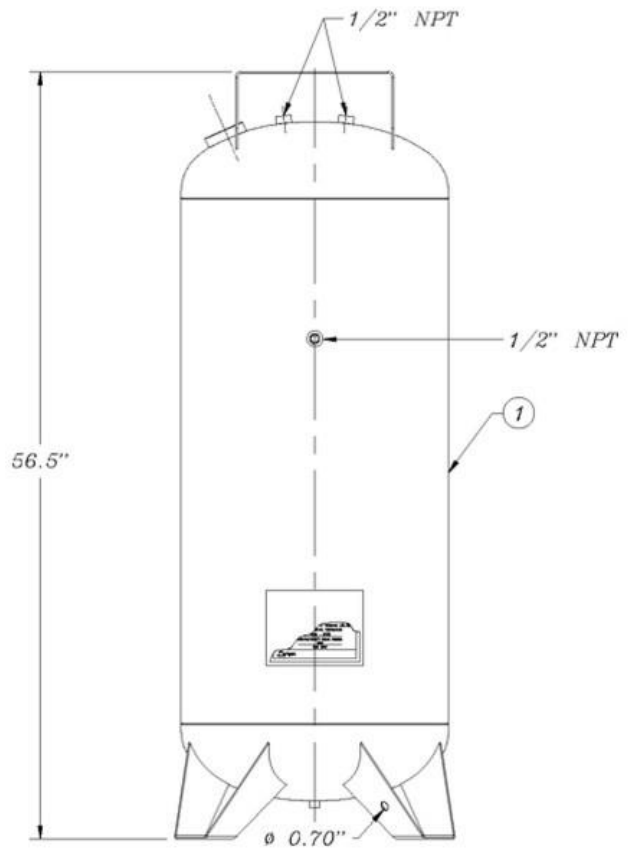
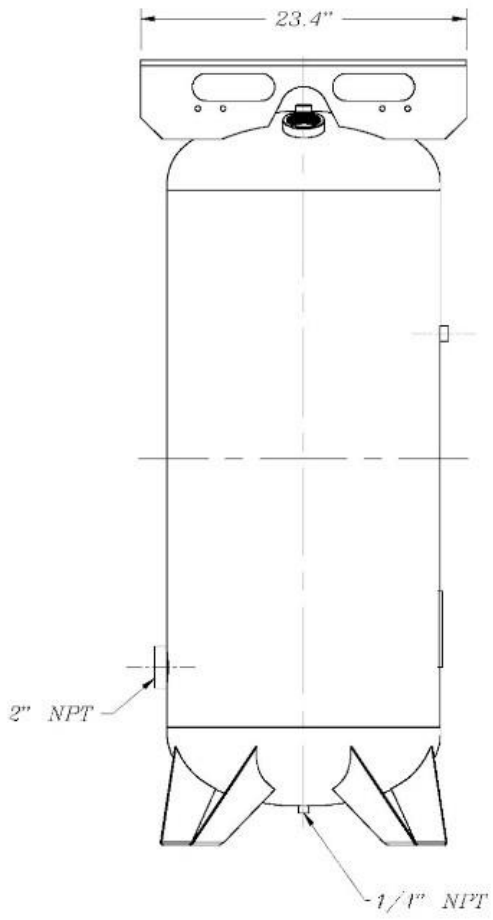
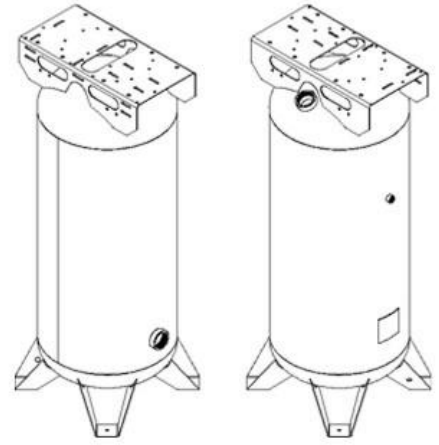
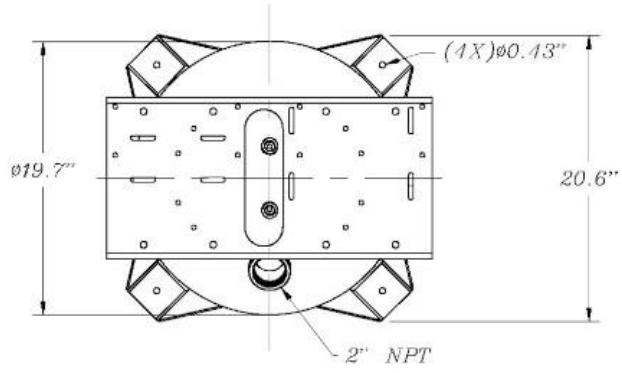


Grinding



Nailing

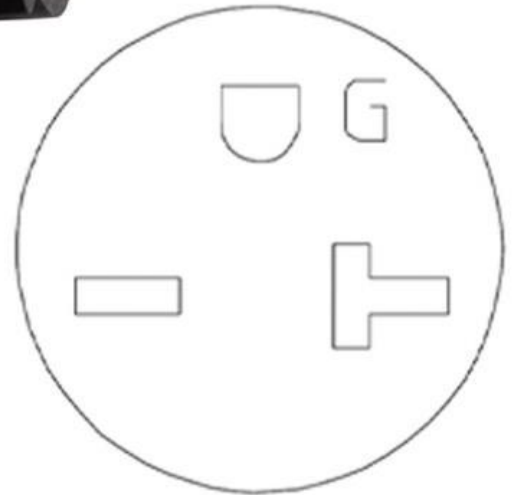
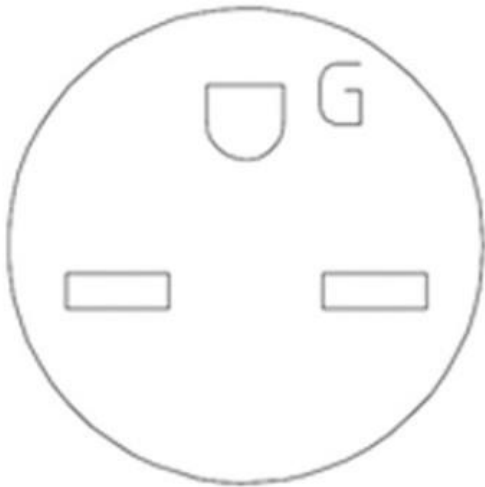






6-15P

6-15R



6-20R

VERSATILE USE IN ANY ENVIRONMENT



Trim & Impacting/Wrenching



Air Brushing



Grinding



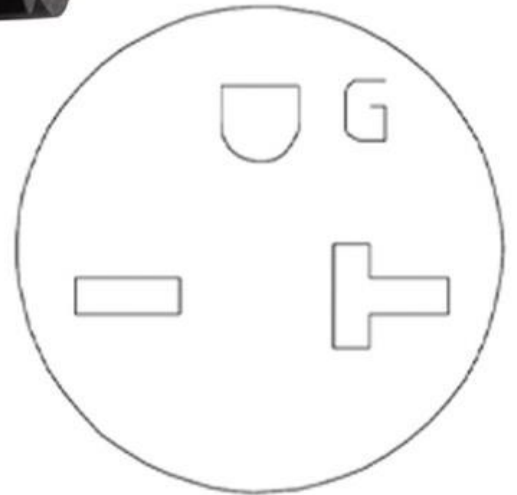
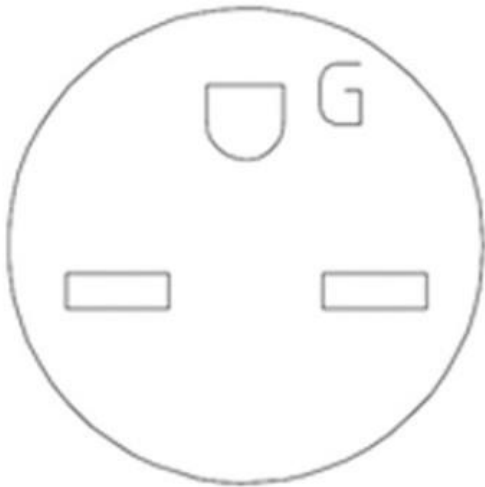
Nailing





6-15P

6-15R



6-20R