



Digital Humidity Control

DV6062A1001

SPECIFICATION DATA

Specifications

Part Number:	DV6062A1001
Supply Voltage:	18 to 30 VAC (50/60 Hz)
Amps:	0.1 A, 2 VA

Dimensions (See Fig. 1):

Width:	3.4 in.
Height:	1.27 in.
Length:	4.5 in.
Weight:	0.5 lbs

Shipping Dimensions:

Width:	4.05 in.
Height:	2.55 in.
Length:	5.88 in.
Weight:	0.67 lbs

Humidity Ranges:

- Humidify Control Range:
 - 20 - 60 % (Automatic mode)
 - 10 - 90 % (Manual mode)
- Dehumidify Control Range:
 - 40 - 80 % (Automatic mode)
 - 10 - 90 % (Manual mode)
- Operating Ambient Temperature:
 - 32 to 120 °F (0 to 48.9 °C)
- Operating Relative Humidity:
 - 5 to 95 %, non-condensing

Relative Humidity Accuracy: +/- 5 % RH

For assistance please visit www.cleancomfort.com or call Customer Care toll-free at 1-833-40-CLEAN (25326).

Application and Benefits

DV6062A digital humidity control offers homeowners convenience and control with automatic and manual control options as well as optional advanced features such as expandable range stops and dehumidification.

DV6062A digital humidity control automatically adjusts humidity to protect windows from condensation in cold weather and can shut off humidification based on a preset outdoor high temperature limit (up to 90 °F). The homeowner can set DV6062A once at the beginning of a season and forget it. If needed, the homeowner can use the humidity boost feature to temporarily raise the humidity by 5% or 10%.

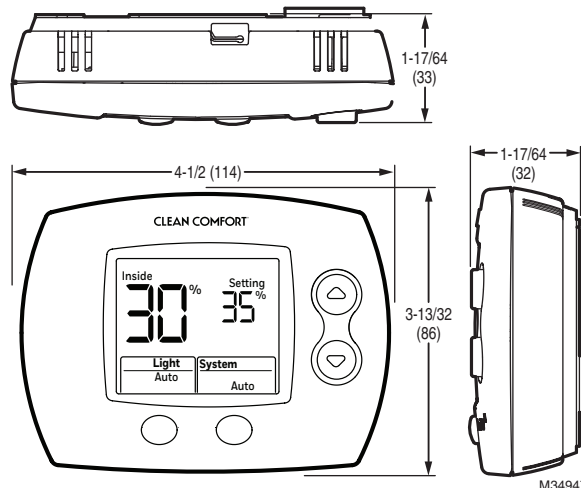


Fig. 1. Dimensions in inches (mm).

Frost Index

The table below shows the levels of humidity DV6062A digital humidity control delivers based on the outdoor temperature and window protection settings.

	Outdoor Temp						
	-10°F	0°F	10°F	20°F	30°F	40°F	
Frost Index	1	10 10	10 10	11 11	17 17	25 25	35 36
	2	10 10	10 10	15 15	21 21	29 29	35 39
	3	10 10	14 14	19 19	26 26	34 34	35 46
	4	15 15	19 19	25 25	32 32	35 39	35 52
	5	21 21	26 26	32 32	35 38	35 48	35 58
	6	29 29	34 34	35 39	35 48	35 56	35 60
	7	35 39	35 46	35 52	35 58	35 60	35 60
	8*	35 56	35 60	35 60	35 60	35 60	35 60
	9	35 60	35 60	35 60	35 60	35 60	35 60
	10	35 60	35 60	35 60	35 60	35 60	35 60

*Black Numbers show highest humidity allowed when Default RH% (35%) is Selected.
Note: Smaller grey numbers show highest humidity allowed when Maximum RH% (60%) is selected.

Job Name	
Engineer	
Mechanical Contractor	
Contractor's P.O. No.	
Representative	
Notes	

Model(s)	Qty.
DV6062A1001	
Approval	
Service	
Tag. No.	



33-00599-01

Goodman Manufacturing Company, L.P., reserves the right to discontinue, or change at any time, specifications or designs without notice or without incurring obligations. ©2021 Goodman Manufacturing Company, L.P. • Houston, Texas • Printed in Mexico.

WWW.CLEANCOMFORT.COM • TECHNICAL SUPPORT: 1-833-40-CLEAN (25326)