

Inverter Driven Heat Pump

9,000 BTU Single Zone Floor Mount System

Job Name _____
 Location _____
 Engineer _____
 Submitted To _____
 Submitted By _____
 Reference _____

Date _____
 Approval _____
 Construction _____
 Unit No _____
 Drawing No _____

PRODUCT FEATURES

- Auto Changeover
- 24 hr. Timer
- Auto Louver
- Minimum Heat Mode
- Auto Restart
- Wireless Remote Controller Included
- Powerful Mode
- Floor Level Heating



MODEL NUMBERS	
Indoor Unit	AGU9RLF
Outdoor Unit	AOU9RLFF
System	9RLFF

EFFICIENCIES		
SEER	26	
SEER 2	26	
EER	16	
EER 2	16	
HSPF	12.6	
HSPF 2	11.8	
COP	kW/kW	4
	Btu/h	13.6
COP2	kW/kW	4
	Btu/h	13.6

OUTDOOR TEMPERATURE OPERATION RANGE	
Cooling	*F(°C) 14 to 115 (-10 to 46)
Heating	-5 to 75 (-21 to 24)

CAPACITIES			
Cooling	Rated	Btu/h	9000
	Min.-Max.		3,100-13,000
Heating	Rated	Btu/h	12000
	Min.-Max.		3,100-18,800

LINESET REQUIREMENTS	
Connection Method	Flare
Liquid	in (mm) Ø 1/4 (Ø 6.35)
Gas	Ø 3/8 (Ø 9.52)
Pre-charge length	ft (m) 49 (15)
Minimum Length	10 (3)
Max. length	66 (20)
Max. height difference	49 (15)

INDOOR DIMENSIONS & WEIGHT	
Net (H x W x D)	in (mm) 23-5/8 x 29-1/8 x 7-7/8 (600 x 740 x 200)
Gross (H x W x D)	27-9/16 x 32-5/16 x 12-3/16 (700 x 820 x 310)
Net Weight	lb (kg) 31 (14)
Gross Weight	37 (17)

OUTDOOR DIMENSIONS & WEIGHT	
Net (H x W x D)	in (mm) 24-7/16 x 31-1/8 x 11-7/16 (620 x 790 x 290)
Gross (H x W x D)	28-1/16 x 37-3/16 x 15-9/16 (713 x 945 x 395)
Net Weight	lb (kg) 84 (38)
Gross Weight	93 (42)

Warranty Information



7 Year Compressor, 5 Year Parts out-of-the-box Warranty



10 Year Compressor, 10 Year Parts Warranty when registered within 60 days of installation in a residence



12 Year Compressor, 12 Year Parts Warranty when registered within 60 days of installation in a residence, and installed by a Fujitsu Elite contractor

ACCESSORIES

UTY-RVNUM	Wired remote controller
UTY-RNNUM	Wired remote controller
UTY-RSNUM	Simple remote controller
UTY-XWZXZ5	External Connect Kit
FJ-IR-WIFI-1NA	Intesis IR WiFi module
FJ-RC-WIFI-1BT	Intesis Wired WiFi module



This system combination is Energy Star qualified



+App available in Apple® App Store and Google® Play Store.



Due to continuous product improvements, specifications are subject to change without notice. Please log in to the Fujitsu Portal for the most up-to-date documentation <https://connect.fujitsugeneral.com>

Effective Date: 11/7/2022

Inverter Driven Heat Pump

9,000 BTU Single Zone Floor Mount System

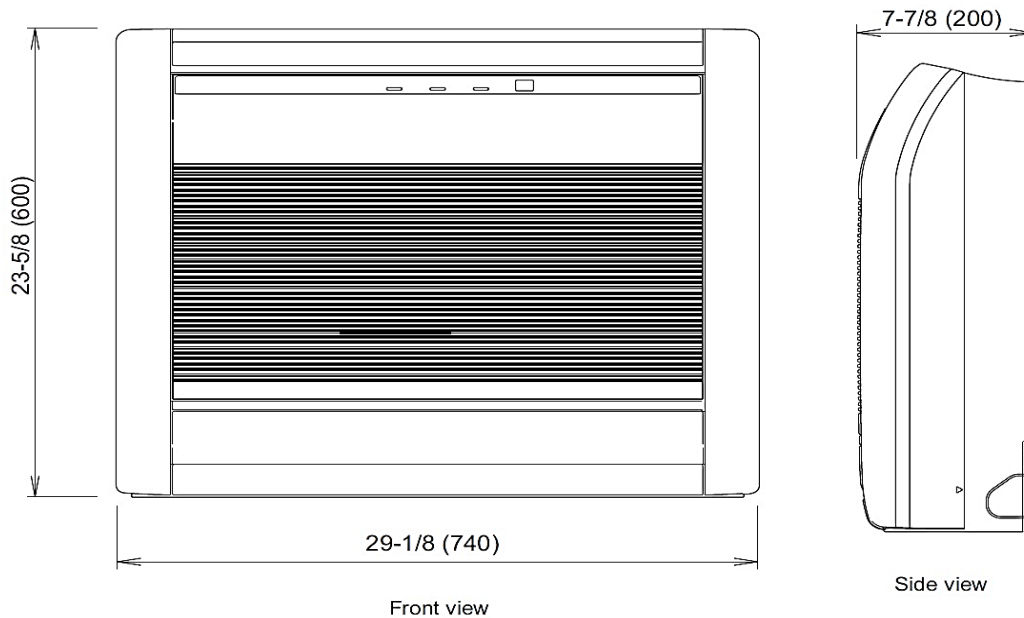
FAN DATA			
Indoor Unit Airflow rate	Cooling	HIGH	336 (570)
		MED	271 (460)
		LOW	212 (360)
		QUIET	159 (270)
Indoor Unit Airflow rate	Heating	HIGH	353 (600)
		MED	283 (480)
		LOW	218 (370)
		QUIET	159 (270)
Outdoor Unit Airflow rate	Cooling		1,207 (2,050)
	Heating		1,207 (2,050)
SOUND PRESSURE			
Indoor Unit	Cooling	HIGH	40
		MED	35
		LOW	29
		QUIET	23
Indoor Unit	Heating	HIGH	40
		MED	35
		LOW	29
		QUIET	23
Outdoor Unit	Cooling		49
	Heating		50
REFRIGERANT			
Type			R410A
Charge	lb oz		2lb 10oz
	g		1200
Oil Type			FREOL α68SZ

ELECTRICAL SPECIFICATIONS			
Voltage/Frequency/Phase		208/230 V ~60 Hz	
Available Voltage Range		187–253 V	
Current	Cooling	Rated	2.9
	Heating	Rated	4.1
Maximum Operating Current	Cooling		9.3
	Heating		10.8
Starting current			4.1
MCA			10.8
Maximum Circuit Breaker			15
Input Power	Cooling	Rated	0.56
		Min.–Max.	0.20–2.05
	Heating	Rated	0.88
		Min.–Max.	0.20–2.62
Power Factor	Cooling		84
	Heating		93.3
OTHER			
Moisture Removal		pints/h (L/h)	2.7 (1.3)
Energy Star			Yes
Drain hose	Material		PP + LLDPE
	Tip diameter	in (mm)	Ø 9/16 (Ø 13.8) (I.D.), Ø 5/8 to Ø 11/16 (Ø 15.8 to Ø 16.7) (O.D.)
Operation Range	Cooling	°F (°C)	64 to 90 (18 to 32)
		%RH	80 or less
	Heating	°F (°C)	60 to 88 (16 to 30)

DIMENSIONS:

Units: In. (mm)

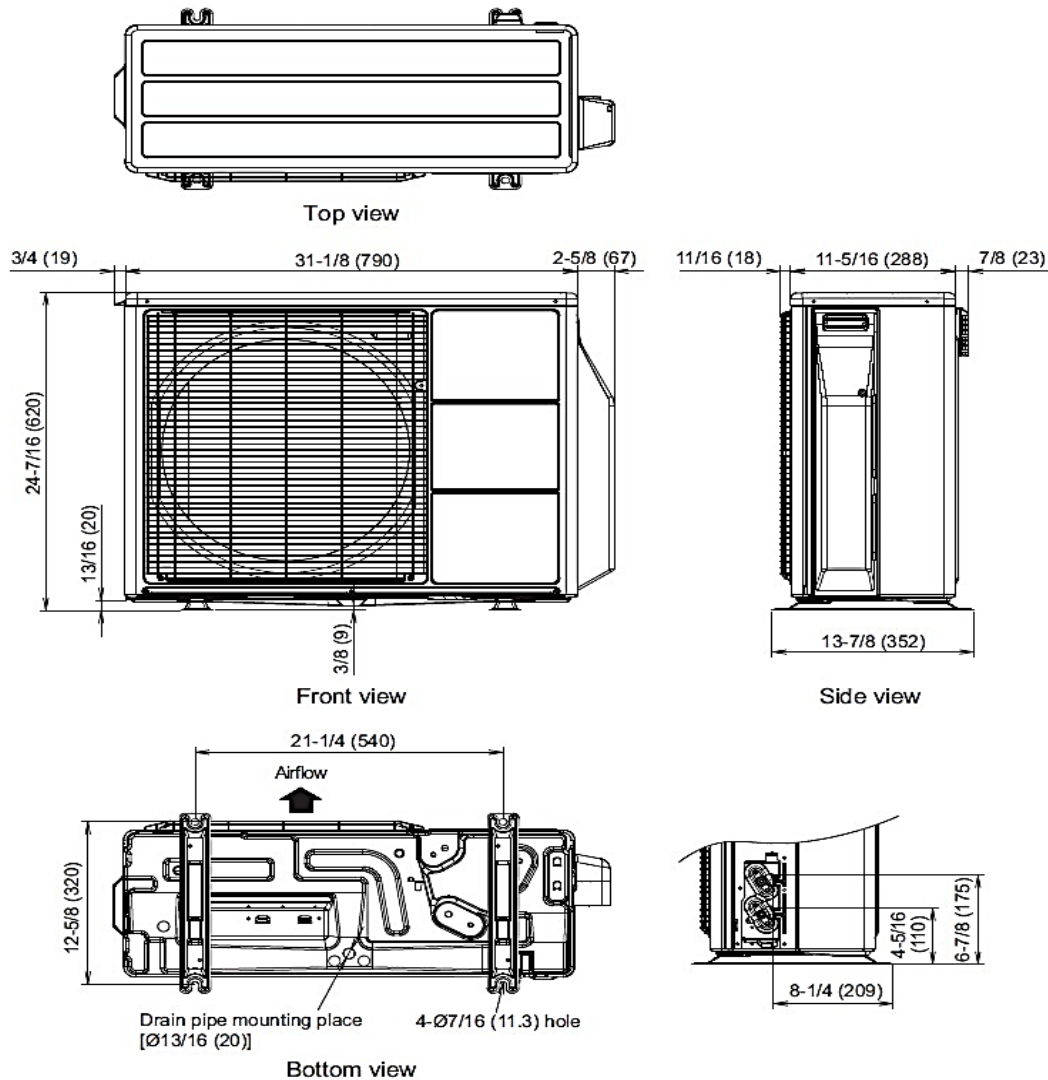
Indoor Unit:



DIMENSIONS

Units: In. (mm)

Outdoor Unit



The Fujitsu logo is a worldwide trademark of Fujitsu General Limited. The Airstage logo and name is a worldwide trademark of Fujitsu General Limited and is a registered trademark in Japan, the USA and other countries or areas. Copyright 2022 Fujitsu General America, Inc. Fujitsu's products are subject to continuous improvements. Fujitsu reserves the right to modify product design, specifications and information in this brochure without notice and without incurring any obligations.

Note: Specifications are based on the following conditions:
 Cooling: Indoor temperature of 80°F (26.7°C) DB/67°F (19.4°C) WB, and outdoor temperature of 95°F (35°C) DB/75°F (23.9°C) WB. Heating: Indoor temperature of 70°F (21.1°C) DB/60°F (15.6°C) WB, and outdoor temperature of 47°F (8.3°C) DB/43°F (6.1°C) WB. Pipe length: 25ft. (7.5m), Height difference: 0ft. (0m) (Outdoor unit - indoor unit).