



GE APPLIANCES

SUBMITTALS

Endure Multi Series

Rev. June 2020

Outdoor

**ASH220NCDWA
ASH324NCDWA
ASH436NCDWA**

Indoor

**ASYW07URDWA
ASYW09URDWA
ASYW12URDWA
ASYW18URDWA
AB09SC2VHA
AB12SC2VHA
AB18SC2VHA
USYM09UCDSA
USYM12UCDSA
USYM18UCDSA
USYM24UCDSA
USYF09UCDWA
USYF12UCDWA
USYF15UCDWA**



GE APPLIANCES
a Haier company

For more information visit us:
www.geappliances.com/ductless



Revision History

Rev. June 2020 - Submittal edition release.



ENDURE MULTI SERIES SUBMITTAL

20000 BTU/HR INVERTER DRIVEN MULTI-ZONE HEAT PUMP SYSTEM ASH220NCDWA

Job Name: _____
 Purchaser: _____
 Submitted To: _____
 Construction: _____
 Reference: _____

Approval: _____
 Date: _____
 Submitted By: _____
 Unit: _____
 Drawing #: _____



Accessories

Wind Baffle

Uses wind baffle UAWB46A

Snow Hood

Uses snow hood UAWB80A

Cooling Performance	
Cooling Capacity Range (Non-Ducted/Ducted)	7,000-20,000 BTU/ 7,000-19,000 BTU
Rated Power Input (Non-Ducted/Ducted)	1,448/1,481 W
SEER (Non-Ducted/Ducted)	17.0/15.0
EER (Non-Ducted/Ducted)	12.5/10.8

Heating Performance	
Heating Capacity Range (Non-Ducted/Ducted)	8,000-23,000 BTU/ 8,000-21,000 BTU
HSPF (Non-Ducted/Ducted)	9.6/10.5

Pipe Length	
Minimum Pipe Length (Each)	6 ft
Maximum Pipe Length (Each/All)	82 ft /164 ft
Maximum Pipe Height Difference	50 ft
Flare Connections	Liquid: 1/4", 1/4" Vapor: 3/8", 3/8"

Electrical Requirement	
Power Supply	208/230V, 1 Phase, 60 HZ
Operating Voltage Range	187-253 VAC
Recommended Fuse/Breaker Size	25A
MCA	15A

Connecting cable to indoor units must be 14/4 AWG unshielded stranded copper. Cable must be ran continuous, without splicing.

Operating Range	
Cooling	14~115°F (-10~46°C)
Heating	-15~75°F (-26~24°C)

Rated heating performance down to -15°F and continuous operation at -22°F

Outdoor Unit	
Compressor	DC inverter Driven Rotary
Uncrated Dimension (HxWxD)	33 x 37 1/4 x 13 1/2 in (840 x 948 x 340 mm)
Crated (HxWxD)	41 1/4 x 41 3/4 x 16 1/2 in (1050 x 1060 x 420 mm)
Outdoor Sound Rating dB	56
Heat Exchanger Fin Type	Blue Fin
Weight (Ship/Net)	202.3/185.6 lbs
Factory Refrigerant Charge	R-410A (99.0 oz)



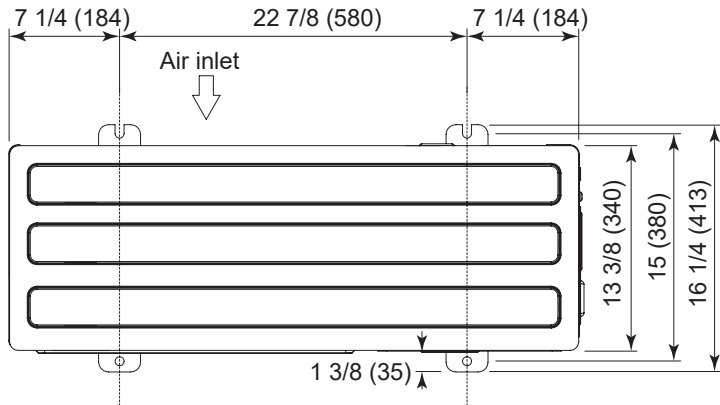
For more information visit us:
www.geappliances.com/ductless



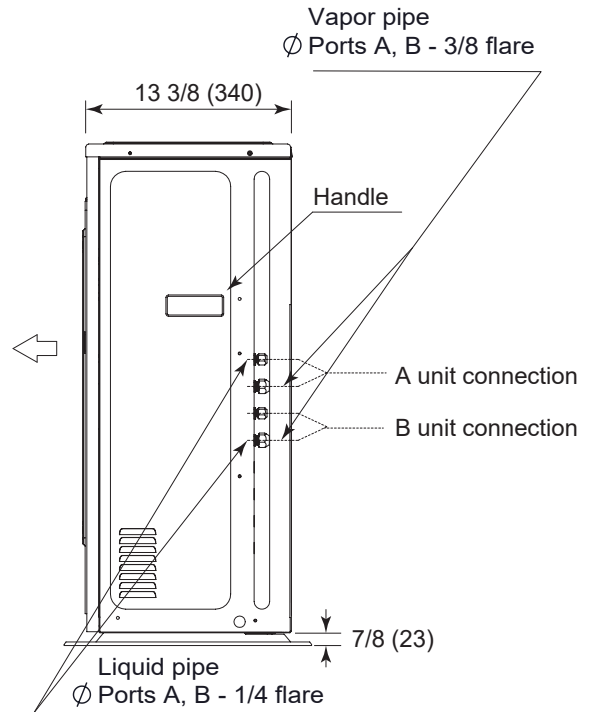
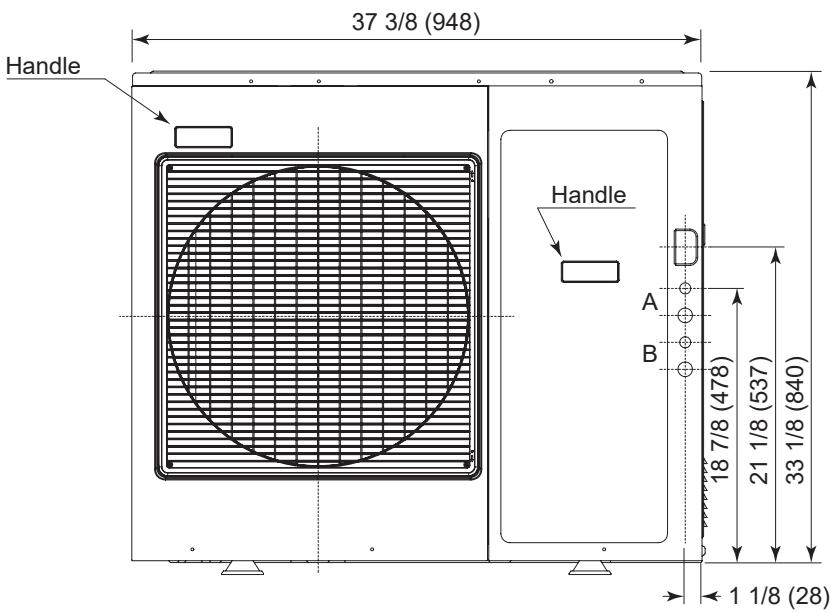


ENDURE MULTI SERIES SUBMITTAL

20000 BTU/HR INVERTER DRIVEN MULTI-ZONE HEAT PUMP SYSTEM ASH220NCDWA



Air outlet





GE APPLIANCES

ENDURE MULTI SERIES SUBMITTAL

20000 BTU/HR INVERTER DRIVEN MULTI-ZONE HEAT PUMP SYSTEM ASH220NCDWA

Heating Capacity Data - Non Ducted

Outdoor Air Temp DB	Indoor Set Temperature					
	60°F (16°C)		70°F (21°C)		77°F (25°C)	
	Maximum Heating Capacity (Btu/h)	Power Usage (w)	Max Heating Capacity (Btu/h)	Power Usage (w)	Max Heating Capacity (Btu/h)	Power Usage (w)
-15°F (-26°C)	19,320	2,920	17,250	3,190	16,200	3,330
-4°F (-20°C)	23,150	3,010	20,060	3,290	16,700	3,420
5°F (-15°C)	25,600	3,110	23,500	3,350	21,200	3,670
17°F (-8°C)	27,100	3,120	25,360	3,560	22,650	3,730
47°F (8°C)	29,470	3,350	27,890	3,780	25,170	4,030

Heating Capacity Data - Ducted

Outdoor Air Temp DB	Indoor Set Temperature					
	60°F (16°C)		70°F (21°C)		77°F (25°C)	
	Maximum Heating Capacity (Btu/h)	Power Usage (w)	Max Heating Capacity (Btu/h)	Power Usage (w)	Max Heating Capacity (Btu/h)	Power Usage (w)
-15°F (-26°C)	17,880	3,160	16,310	3,220	15,260	3,280
-4°F (-20°C)	19,930	3,260	18,690	3,310	15,830	3,320
5°F (-15°C)	21,850	3,320	21,000	3,380	19,210	3,710
17°F (-8°C)	25,310	3,560	24,340	3,610	21,030	3,760
47°F (8°C)	26,860	3,680	25,890	3,820	23,460	4,130

Cooling Capacity Data - Non Ducted

Outdoor Air Temp DB	Indoor Set Temperature					
	70°F (21°C)		75°F (24°C)		80°F (27°C)	
	Total Capacity (Btu/h)	Power Usage (w)	Total Capacity (Btu/h)	Power Usage (w)	Total Capacity (Btu/h)	Power Usage (w)
14°F (-10°C)	7,560	720	9,160	810	10,320	890
65°F (18°C)	17,840	980	19,560	1,040	20,520	1,070
75°F (24°C)	16,630	990	19,010	1,110	20,030	1,150
85°F (29°C)	15,260	1,020	18,690	1,230	19,670	1,290
95°F (35°C)	15,091	1,260	18,230	1,430	19,020	1,466
105°F (41°C)	14,860	1,390	16,510	1,490	17,830	1,590
115°F (46°C)	11,580	1,250	14,870	1,540	15,856	1,620

Cooling Capacity Data - Ducted

Outdoor Air Temp DB	Indoor Set Temperature					
	70°F (21°C)		75°F (24°C)		80°F (27°C)	
	Total Capacity (Btu/h)	Power Usage (w)	Total Capacity (Btu/h)	Power Usage (w)	Total Capacity (Btu/h)	Power Usage (w)
14°F (-10°C)	6,370	750	7,020	810	7,500	830
65°F (18°C)	16,210	1,350	19,120	1,550	20,130	1,580
75°F (24°C)	15,100	1,620	18,760	1,690	19,940	1,720
85°F (29°C)	14,950	1,660	17,800	1,780	19,150	1,810
95°F (35°C)	14,680	1,630	16,420	1,790	18,780	1,860
105°F (41°C)	13,360	1,730	15,690	1,870	17,490	2,040
115°F (46°C)	10,200	1,450	13,860	1,810	15,700	2,190

- Capacity output and power usage are measured approximately at 50% indoor RH.
- Capacities are obtained at standard piping length of each outdoor model



ENDURE MULTI SERIES SUBMITTAL

24000 BTU/HR INVERTER DRIVEN MULTI-ZONE HEAT PUMP SYSTEM ASH324NCDWA

Job Name: _____
 Purchaser: _____
 Submitted To: _____
 Construction: _____
 Reference: _____

Approval: _____
 Date: _____
 Submitted By: _____
 Unit: _____
 Drawing #: _____



Accessories

Wind Baffle

Uses wind baffle UAWB46A

Snow Hood

Uses snow hood UAWB80A

Cooling Performance	
Cooling Capacity Range (Non-Ducted/Ducted)	6,000~23,600 BTU/ 6,000~22,300 BTU
Rated Power Input (Non-Ducted/Ducted)	1,760/1,786 W
SEER (Non-Ducted/Ducted)	18.5/15
EER (Non-Ducted/Ducted)	12.5/11.2

Heating Performance	
Heating Capacity Range (Non-Ducted/Ducted)	8,000~30,600 BTU/ 8,000~28,600 BTU
HSPF (Non-Ducted/Ducted)	10.5/9.3

Pipe Length	
Minimum Pipe Length (Each)	6 ft
Maximum Pipe Length (Each/All)	82 ft /196 ft
Maximum Pipe Height Difference	50 ft
Flare Connections	Liquid: 1/4", 1/4", 1/4" Vapor: 3/8", 3/8", 1/2"

Outdoor Unit	
Compressor	DC inverter Driven Rotary
Uncrated Dimension (HxWxD)	33 x 37 1/4 x 13 1/2 in (840 x 948 x 340 mm)
Crated (HxWxD)	41 1/4 x 41 3/4 x 16 1/2 in (1050 x 1060 x 420 mm)
Outdoor Sound Rating dB	56
Heat Exchanger Fin Type	Blue Fin
Weight (Ship/Net)	205.9/189.5 lbs
Factory Refrigerant Charge	R-410A (99.0 oz)

Electrical Requirement	
Power Supply	208/230V, 1 Phase, 60 HZ
Operating Voltage Range	187~253 VAC
Recommended Fuse/Breaker Size	25A
MCA	16A

Connecting cable to indoor units must be 14/4 AWG unshielded stranded copper. Cable must be ran continuous, without splicing.

Operating Range	
Cooling	14~115°F (-10~46°C)
Heating	-15~75°F (-26~24°C)

Rated heating performance down to -15°F and continuous operation at -22°F



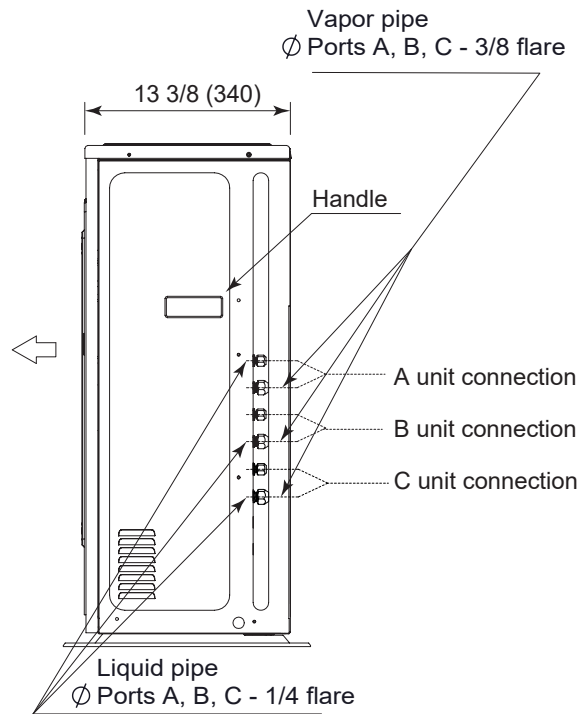
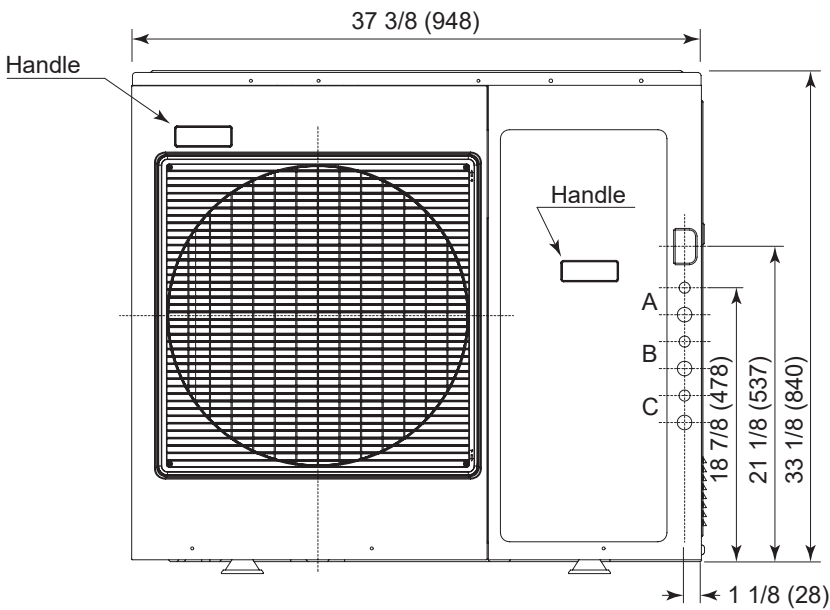
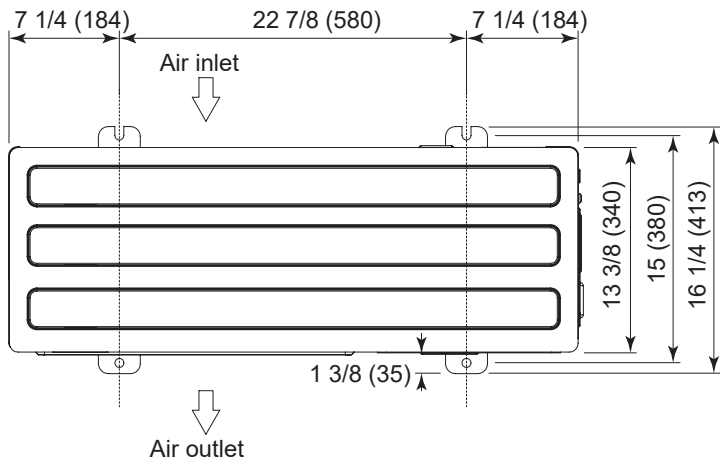
For more information visit us:
www.geappliances.com/ductless





ENDURE MULTI SERIES SUBMITTAL

24000 BTU/HR INVERTER DRIVEN MULTI-ZONE HEAT PUMP SYSTEM ASH324NCDWA





GE APPLIANCES

ENDURE MULTI SERIES SUBMITTAL

24000 BTU/HR INVERTER DRIVEN MULTI-ZONE HEAT PUMP SYSTEM ASH324NCDWA

Heating Capacity Data - Non Ducted

Outdoor Air Temp DB	Indoor Set Temperature					
	60°F (16°C)		70°F (21°C)		77°F (25°C)	
	Maximum Heating Capacity (Btu/h)	Power Usage (w)	Max Heating Capacity (Btu/h)	Power Usage (w)	Max Heating Capacity (Btu/h)	Power Usage (w)
-15°F (-26°C)	18,120	2,960	18,000	3,090	16,580	3,220
-4°F (-20°C)	19,930	3,060	19,430	3,250	17,330	3,360
5°F (-15°C)	24,860	3,290	24,120	3,510	21,870	3,620
17°F (-8°C)	28,210	3,390	27,220	3,810	25,500	3,920
47°F (8°C)	31,230	3,720	29,600	4,030	27,850	4,120

Heating Capacity Data - Ducted

Outdoor Air Temp DB	Indoor Set Temperature					
	60°F (16°C)		70°F (21°C)		77°F (25°C)	
	Maximum Heating Capacity (Btu/h)	Power Usage (w)	Max Heating Capacity (Btu/h)	Power Usage (w)	Max Heating Capacity (Btu/h)	Power Usage (w)
-15°F (-26°C)	18,000	3,480	17,100	3,360	16,100	3,530
-4°F (-20°C)	19,820	3,510	19,200	3,560	17,200	3,610
5°F (-15°C)	22,860	3,440	23,240	3,540	21,160	3,730
17°F (-8°C)	27,140	3,470	26,410	3,620	24,170	3,810
47°F (8°C)	29,130	3,550	28,820	3,780	27,660	3,920

Cooling Capacity Data - Non Ducted

Outdoor Air Temp DB	Indoor Set Temperature					
	70°F (21°C)		75°F (24°C)		80°F (27°C)	
	Total Capacity (Btu/h)	Power Usage (w)	Total Capacity (Btu/h)	Power Usage (w)	Total Capacity (Btu/h)	Power Usage (w)
14°F (-10°C)	13,210	1,080	14,010	1,120	15,330	1,190
65°F (18°C)	24,860	1,560	25,940	1,610	27,480	1,690
75°F (24°C)	23,560	1,680	24,860	1,710	26,190	1,780
85°F (29°C)	23,350	1,710	24,560	1,790	25,430	1,840
95°F (35°C)	22,860	1,860	23,360	1,880	24,320	1,910
105°F (41°C)	21,320	2,060	22,720	2,160	23,560	2,190
115°F (46°C)	16,960	2,120	18,160	2,190	18,680	2,230

Cooling Capacity Data - Ducted

Outdoor Air Temp DB	Indoor Set Temperature					
	70°F (21°C)		75°F (24°C)		80°F (27°C)	
	Total Capacity (Btu/h)	Power Usage (w)	Total Capacity (Btu/h)	Power Usage (w)	Total Capacity (Btu/h)	Power Usage (w)
14°F (-10°C)	12,320	1,150	13,120	1,180	14,680	1,220
65°F (18°C)	24,300	1,610	25,010	1,650	26,560	1,720
75°F (24°C)	23,130	1,710	24,140	1,760	25,310	1,830
85°F (29°C)	23,310	1,880	24,110	1,920	24,900	1,960
95°F (35°C)	22,360	1,990	23,060	2,050	24,130	2,070
105°F (41°C)	21,230	2,220	22,170	2,280	22,690	2,310
115°F (46°C)	16,830	2,230	17,850	2,320	18,560	2,400

- Capacity output and power usage are measured approximately at 50% indoor RH.
- Capacities are obtained at standard piping length of each outdoor model



ENDURE MULTI SERIES SUBMITTAL

36000 BTU/HR INVERTER DRIVEN MULTI-ZONE HEAT PUMP SYSTEM ASH436NCDWA

Job Name: _____
 Purchaser: _____
 Submitted To: _____
 Construction: _____
 Reference: _____

Approval: _____
 Date: _____
 Submitted By: _____
 Unit: _____
 Drawing #: _____



Accessories

Wind Baffle

Uses wind baffle UAWB46A

Snow Hood

Uses snow hood UAWB80A

Cooling Performance	
Cooling Capacity Range (Non-Ducted/Ducted)	5,000~34,000 BTU/ 5,000~34,400 BTU
Rated Power Input (Non-Ducted/Ducted)	2,720/3,440 W
SEER (Non-Ducted/Ducted)	20.0/17
EER (Non-Ducted/Ducted)	12.5/10.0

Heating Performance	
Heating Capacity Range (Non-Ducted/Ducted)	6,100~36,000 BTU/ 6,100~35,000 BTU
HSPF (Non-Ducted/Ducted)	10.5/10.5

Pipe Length	
Minimum Pipe Length (Each)	6 ft
Maximum Pipe Length (Each/All)	82 ft /230 ft
Maximum Pipe Height Difference	50 ft
Flare Connections	Liquid: 1/4", 1/4", 1/4", 1/4" Vapor: 3/8", 3/8", 3/8", 1/2"

Outdoor Unit	
Compressor	DC inverter Driven Rotary
Uncrated Dimension (HxWxD)	33 1/8 x 37 3/8 x 13 3/8 in (840 x 948 x 340 mm)
Crated (HxWxD)	37 3/8 x 37 1/2 x 15 3/8 in (956 x 951 x 390 mm)
Outdoor Sound Rating dB	59
Heat Exchanger Fin Type	Blue Fin
Weight (Ship/Net)	215/198.4 lbs
Factory Refrigerant Charge	R-410A (113 oz)

Electrical Requirement	
Power Supply	208/230V, 1 Phase, 60 HZ
Operating Voltage Range	187~253 VAC
Recommended Fuse/Breaker Size	40A
MCA	30A

Connecting cable to indoor units must be 14/4 AWG unshielded stranded copper. Cable must be ran continuous, without splicing.

Operating Range	
Cooling	23~115°F (-5~46°C)
Heating	-15~77°F (-26~25°C)

Rated heating performance down to -15°F and continuous operation at -22°F



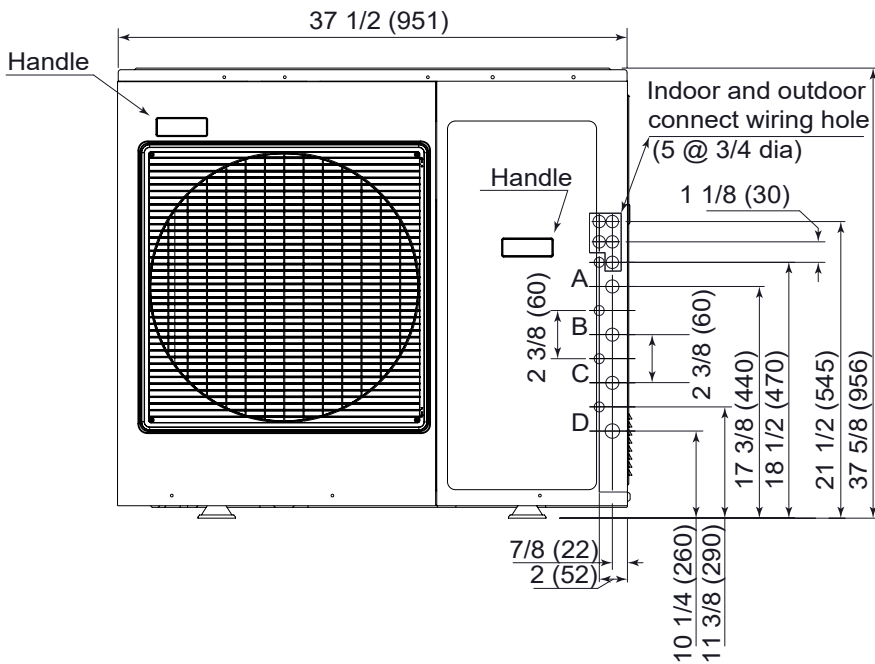
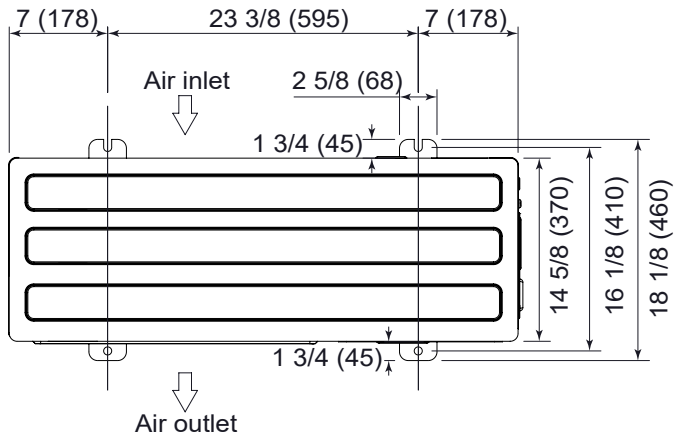
For more information visit us:
www.geappliances.com/ductless



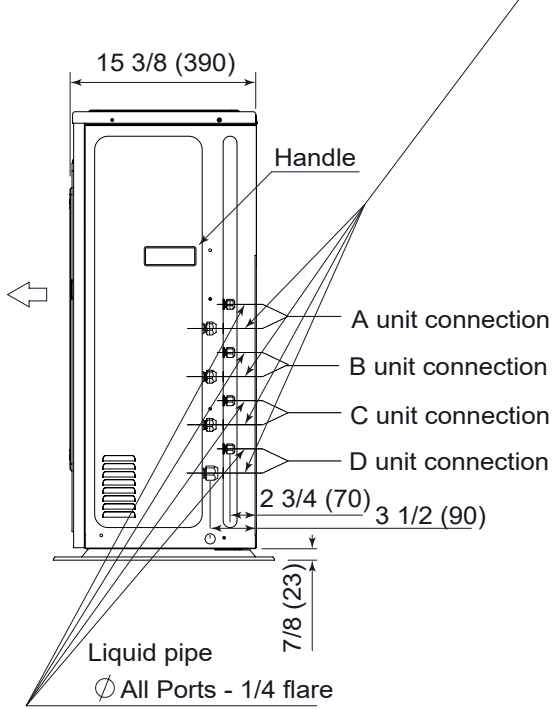


ENDURE MULTI SERIES SUBMITTAL

36000 BTU/HR INVERTER DRIVEN MULTI-ZONE HEAT PUMP SYSTEM ASH436NCDWA



Vapor pipe
 ∅ Ports A, B, C - 3/8 flare
 ∅ Port D - 1/2 flare





GE APPLIANCES

ENDURE MULTI SERIES SUBMITTAL

36000 BTU/HR INVERTER DRIVEN MULTI-ZONE HEAT PUMP SYSTEM ASH436NCDWA

Heating Capacity Data - Non Ducted

Outdoor Air Temp DB	Indoor Set Temperature					
	60°F (16°C)		70°F (21°C)		77°F (25°C)	
	Maximum Heating Capacity (Btu/h)	Power Usage (w)	Max Heating Capacity (Btu/h)	Power Usage (w)	Max Heating Capacity (Btu/h)	Power Usage (w)
-15°F (-26°C)	25,900	4,960	25,700	5,010	25,000	5,020
-4°F (-20°C)	30,100	4,970	29,800	5,040	28,200	5,060
5°F (-15°C)	36,200	4,980	36,000	5,270	35,100	5,300
17°F (-8°C)	38,500	3,940	37,000	3,950	36,500	4,200
47°F (8°C)	38,900	3,100	38,000	3,190	37,800	3,200

Heating Capacity Data - Ducted

Outdoor Air Temp DB	Indoor Set Temperature					
	60°F (16°C)		70°F (21°C)		77°F (25°C)	
	Maximum Heating Capacity (Btu/h)	Power Usage (w)	Max Heating Capacity (Btu/h)	Power Usage (w)	Max Heating Capacity (Btu/h)	Power Usage (w)
-15°F (-26°C)	25,500	5,100	25,000	5,200	24,500	5,430
-4°F (-20°C)	29,700	5,200	29,000	5,400	28,100	5,490
5°F (-15°C)	35,800	5,300	35,000	5,480	34,600	5,560
17°F (-8°C)	36,600	4,010	36,000	4,030	35,700	4,760
47°F (8°C)	36,300	3,310	37,000	3,180	35,900	3,760

Cooling Capacity Data - Non Ducted

Outdoor Air Temp DB	Indoor Set Temperature					
	70°F (21°C)		75°F (24°C)		80°F (27°C)	
	Total Capacity (Btu/h)	Power Usage (w)	Total Capacity (Btu/h)	Power Usage (w)	Total Capacity (Btu/h)	Power Usage (w)
14°F (-10°C)	23,300	1,900	24,070	1,920	25,330	1,960
65°F (18°C)	34,780	2,180	35,980	2,230	37,340	2,290
75°F (24°C)	33,560	2,390	34,870	2,410	36,120	2,450
85°F (29°C)	33,380	2,440	34,650	2,520	35,300	2,550
95°F (35°C)	35,500	2,950	35,600	2,970	35,700	2,980
105°F (41°C)	31,210	3,010	32,600	3,020	33,650	3,120
115°F (46°C)	26,980	3,370	28,230	3,400	29,700	3,500

Cooling Capacity Data - Ducted

Outdoor Air Temp DB	Indoor Set Temperature					
	70°F (21°C)		75°F (24°C)		80°F (27°C)	
	Total Capacity (Btu/h)	Power Usage (w)	Total Capacity (Btu/h)	Power Usage (w)	Total Capacity (Btu/h)	Power Usage (w)
14°F (-10°C)	23,500	2,320	24,980	2,320	25,440	2,360
65°F (18°C)	35,980	2,460	36,200	2,630	37,420	2,690
75°F (24°C)	33,960	2,790	34,980	2,830	36,200	2,950
85°F (29°C)	33,780	2,850	34,780	2,930	35,400	2,950
95°F (35°C)	35,900	3,320	35,700	3,340	34,200	3,420
105°F (41°C)	31,600	3,420	32,800	3,430	33,700	3,520
115°F (46°C)	27,420	3,770	28,920	3,820	29,900	3,900

- Capacity output and power usage are measured approximately at 50% indoor RH.
- Capacities are obtained at standard piping length of each outdoor model



ENDURE MULTI SERIES SUBMITTAL

7000 BTU/HR WALL MOUNTED INVERTER DRIVEN HEAT PUMP SYSTEM ASYW07URDWA

Job Name: _____
 Purchaser: _____
 Submitted To: _____
 Construction: _____
 Reference: _____

Approval: _____
 Date: _____
 Submitted By: _____
 Unit: _____
 Drawing #: _____

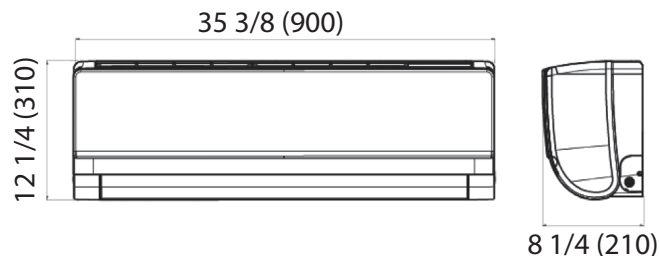


Electrical Requirement	
Power Supply	208/230V, 1 Phase, 60 HZ
Operating Voltage Range	187-253 VAC

Performance	
Rated Cooling Capacity	7,000 BTU
Rated Heating Capacity	10,000 BTU

Piping	
Flare Connections	Liquid: 1/4" Vapor: 3/8"

Indoor Unit	
Uncrated Dimension (HxWxD)	12 1/4 x 35 3/8 x 8 1/4 in (310 x 900 x 210 mm)
Crated (HxWxD)	15 3/4 x 39 x 12 3/8 in (399 x 991 x 313 mm)
Airflow CFM (Turbo/High/Med/Low/Quiet)	420/360/300/240/180
Indoor Sound Level dB (Turbo/High/Med/Low/Quiet)	42/39/37/28/23
Motor Rating (HP)	0.054
Heat Exchanger Fin Type	Blue Fin
Weight (Ship/Net)	30.9/ 25.4 lbs



Accessories

Remote Controller

Ships with WJ01X24721 (YR-HG)

Wired Controller

Compatible with ACT17CWA when paired with WK-B

WiFi

Compatible with WiFi adapter QAWF01A



For more information visit us:
www.Haierductless.com
www.Haierductlesshelp.com



ENDURE MULTI SERIES SUBMITTAL

9000 BTU/HR WALL MOUNTED INVERTER DRIVEN HEAT PUMP SYSTEM ASYW09URDWA

Job Name: _____
 Purchaser: _____
 Submitted To: _____
 Construction: _____
 Reference: _____

Approval: _____
 Date: _____
 Submitted By: _____
 Unit: _____
 Drawing #: _____

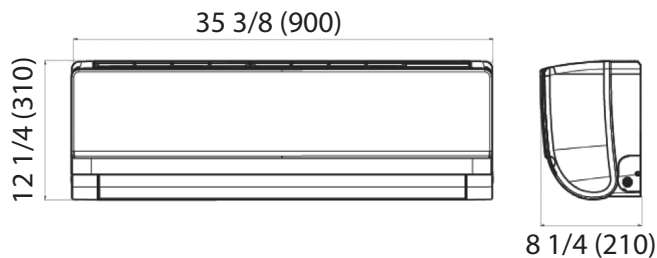


Electrical Requirement	
Power Supply	208/230V, 1 Phase, 60 HZ
Operating Voltage Range	187-253 VAC

Performance	
Rated Cooling Capacity	9,000 BTU
Rated Heating Capacity	12,000 BTU

Piping	
Flare Connections	Liquid: 1/4" Vapor: 3/8"

Indoor Unit	
Uncrated Dimension (HxWxD)	12 1/4 x 35 3/8 x 8 1/4 in (310 x 900 x 210 mm)
Crated (HxWxD)	15 3/4 x 39 x 12 3/8 in (399 x 991 x 313 mm)
Airflow CFM (Turbo/High/Med/Low/Quiet)	470/410/350/290/230
Indoor Sound Level dB (Turbo/High/Med/Low/Quiet)	42/39/37/28/23
Motor Rating (HP)	0.054
Heat Exchanger Fin Type	Blue Fin
Weight (Ship/Net)	30.9/ 25.4 lbs



Accessories

Remote Controller

Ships with WJ01X24721 (YR-HG)

Wired Controller

Compatible with ACT17CWA when paired with WK-B

WiFi

Compatible with WiFi adapter QAWF01A



For more information visit us:
www.Haierductless.com
www.Haierductlesshelp.com



ENDURE MULTI SERIES SUBMITTAL

12000 BTU/HR WALL MOUNTED INVERTER DRIVEN HEAT PUMP SYSTEM ASYW12URDWA

Job Name: _____
 Purchaser: _____
 Submitted To: _____
 Construction: _____
 Reference: _____

Approval: _____
 Date: _____
 Submitted By: _____
 Unit: _____
 Drawing #: _____

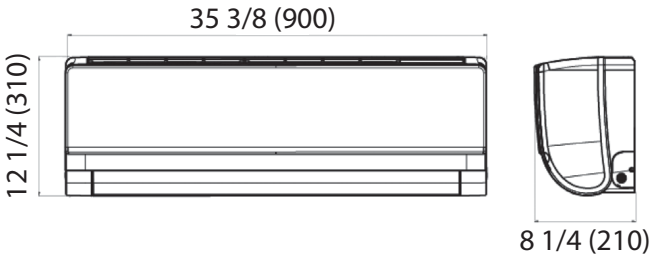


Electrical Requirement	
Power Supply	208/230V, 1 Phase, 60 HZ
Operating Voltage Range	187-253 VAC

Performance	
Rated Cooling Capacity	12,000 BTU
Rated Heating Capacity	16,500 BTU

Piping	
Flare Connections	Liquid: 1/4" Vapor: 3/8"

Indoor Unit	
Uncrated Dimension (HxWxD)	12 1/4 x 35 3/8 x 8 1/4 in (310 x 900 x 210 mm)
Crated (HxWxD)	15 3/4 x 39 x 12 3/8 in (399 x 991 x 313 mm)
Airflow CFM (Turbo/High/Med/Low/Quiet)	440/410/380/311/260
Indoor Sound Level dB (Turbo/High/Med/Low/Quiet)	42/39/37/28/23
Motor Rating (HP)	0.054
Heat Exchanger Fin Type	Blue Fin
Weight (Ship/Net)	30.9/25.4 lbs



Accessories

Remote Controller
 Ships with WJ01X24721 (YR-HG)

Wired Controller
 Compatible with ACT17CWA when paired with WK-B

WiFi
 Compatible with WiFi adapter QAWF01A



ENDURE MULTI SERIES SUBMITTAL

18000 BTU/HR WALL MOUNTED INVERTER DRIVEN HEAT PUMP SYSTEM ASYW18URDWA

Job Name: _____
 Purchaser: _____
 Submitted To: _____
 Construction: _____
 Reference: _____

Approval: _____
 Date: _____
 Submitted By: _____
 Unit: _____
 Drawing #: _____



Electrical Requirement	
Power Supply	208/230V, 1 Phase, 60 HZ
Operating Voltage Range	187-253 VAC

Performance	
Rated Cooling Capacity	19,000 BTU
Rated Heating Capacity	20,400 BTU

Piping	
Flare Connections	Liquid: 1/4" Vapor: 1/2"

Accessories

Remote Controller

Ships with WJ01X24721 (YR-HG)

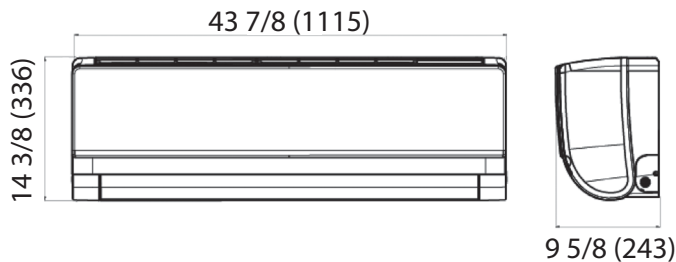
Wired Controller

Compatible with ACT17CWA when paired with WK-B

WiFi

Compatible with WiFi adapter QAWF01A

Indoor Unit	
Uncrated Dimension (HxWxD)	14 3/8 x 43 7/8 x 9 5/8 in (366 x 1115 x 243 mm)
Crated (HxWxD)	16 1/2 x 47 1/2 x 13 1/2 in (418 x 1206 x 342 mm)
Airflow CFM (Turbo/High/Med/Low/Quiet)	710/650/560/440/410
Indoor Sound Level dB (Turbo/High/Med/Low/Quiet)	49/47/42/36/34
Motor Rating (HP)	0.094
Heat Exchanger Fin Type	Blue Fin
Weight (Ship/Net)	45.4/37.5 lbs



For more information visit us:
www.Haierductless.com
www.Haierductlesshelp.com



ENDURE MULTI SERIES SUBMITTAL

9000 BTU/HR CASSETTE TYPE INDOOR AB09SC2VHA

Job Name: _____
 Purchaser: _____
 Submitted To: _____
 Construction: _____
 Reference: _____

Approval: _____
 Date: _____
 Submitted By: _____
 Unit: _____
 Drawing #: _____



Electrical Requirement	
Power Supply	208/230V, 1 Phase, 60 HZ
Operating Voltage Range	187-253 VAC

Performance	
Rated Cooling Capacity	9,000 BTU
Rated Heating Capacity	10,000 BTU

Piping	
Flare Connections	Liquid: 1/4" Vapor: 3/8"

Indoor Unit	
Chassis Uncrated Dimension (HxWxD)	10 1/4 x 22 1/2 x 22 1/2 in (260 x 570 x 570 mm)
Chassis Crated (HxWxD)	15 x 28 1/4 x 26 3/4 in (380 x 718 x 680 mm)
Panel Uncrated Dimension (HxWxD)	2 3/8 x 27 1/2 x 27 1/2 in (60 x 700 x 700 mm)
Panel Crated (HxWxD)	4 1/2 x 29 1/8 x 29 1/2 in (115 x 740 x 750 mm)
Airflow CFM (Turbo/High/Med/Low/Quiet)	410/365/305/265/205
Indoor Sound Level dB (Turbo/High/Med/Low/Quiet)	42/40/36/32/25
Motor Rating (HP)	0.033
Heat Exchanger Fin Type	Blue Fin
Condensate Pump	Included - 47.2 in Lift
Weight (Ship/Net)	46.3/37.5 lbs

Accessories

Remote Controller

WJ01X24721 (YR-HG) ships with Cassette panel PB-700IB

Wired Controller

Compatible with ACT17CWA

Panel

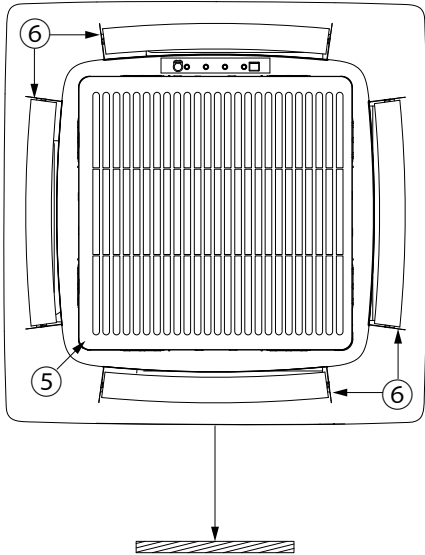
PB-700IB is required to complete the installation and it must be ordered separately



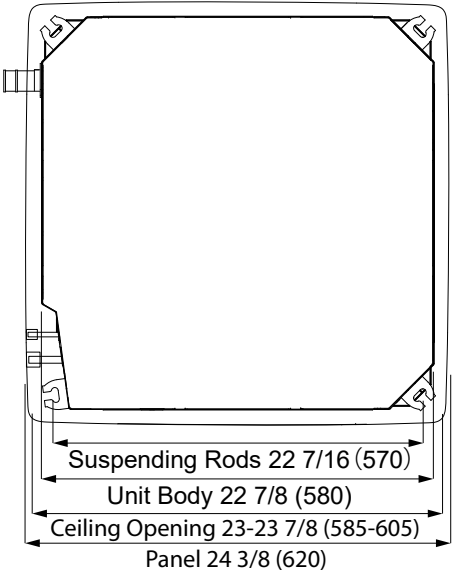


ENDURE MULTI SERIES SUBMITTAL

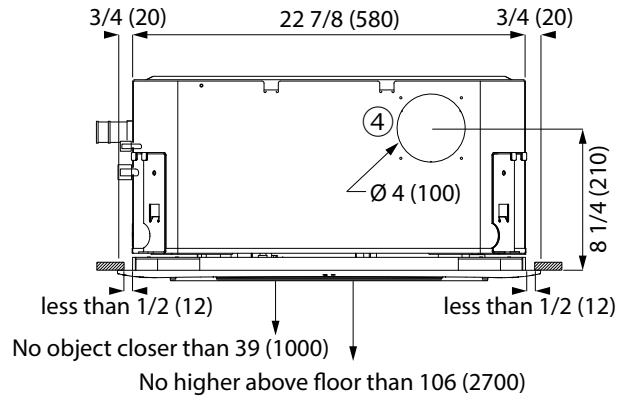
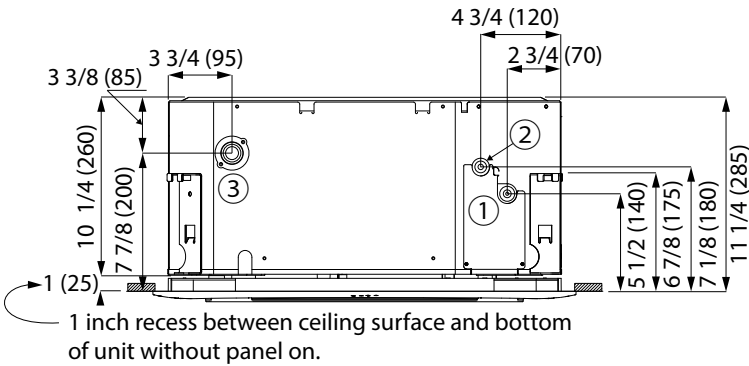
9000 BTU/HR CASSETTE TYPE INDOOR AB09SC2VHA



#	Part Name
1	Vapor Pipe
2	Liquid Pipe
3	Drain Pump Outlet
4	Fresh Air Inlet
5	Air Return Grille
6	Air Supply



More than 59 (1500) to wall on all sides





ENDURE MULTI SERIES SUBMITTAL

12000 BTU/HR CASSETTE TYPE INDOOR AB12SC2VHA

Job Name: _____
 Purchaser: _____
 Submitted To: _____
 Construction: _____
 Reference: _____

Approval: _____
 Date: _____
 Submitted By: _____
 Unit: _____
 Drawing #: _____



Electrical Requirement	
Power Supply	208/230V, 1 Phase, 60 HZ
Operating Voltage Range	187-253 VAC

Performance	
Rated Cooling Capacity	12,000 BTU
Rated Heating Capacity	13,000 BTU

Piping	
Flare Connections	Liquid: 1/4" Vapor: 3/8"

Indoor Unit	
Chassis Uncrated Dimension (HxWxD)	10 1/4 x 22 1/2 x 22 1/2 in (260 x 570 x 570 mm)
Chassis Crated (HxWxD)	15 x 28 1/4 x 26 3/4 in (380 x 718 x 680 mm)
Panel Uncrated Dimension (HxWxD)	2 3/8 x 27 1/2 x 27 1/2 in (60 x 700 x 700 mm)
Panel Crated (HxWxD)	4 1/2 x 29 1/8 x 29 1/2 in (115 x 740 x 750 mm)
Airflow CFM (Turbo/High/Med/Low/Quiet)	410/365/305/265/205
Indoor Sound Level dB (Turbo/High/Med/Low/Quiet)	42/40/36/32/25
Motor Rating (HP)	0.033
Heat Exchanger Fin Type	Blue Fin
Condensate Pump	Included - 47.2 in Lift
Weight (Ship/Net)	48.5/40.8 lbs

Accessories

Remote Controller

WJ01X24721 (YR-HG) ships with Cassette panel PB-700KB

Wired Controller

Compatible with ACT17CWA

Panel

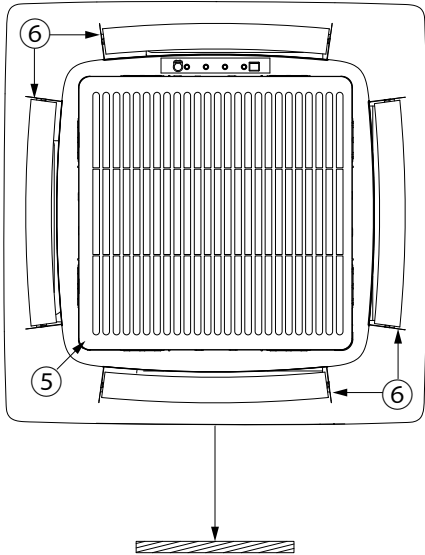
PB-700IB is required to complete the installation and it must be ordered separately



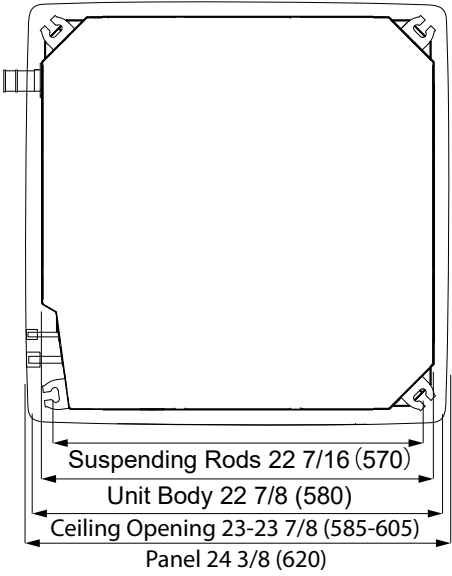


ENDURE MULTI SERIES SUBMITTAL

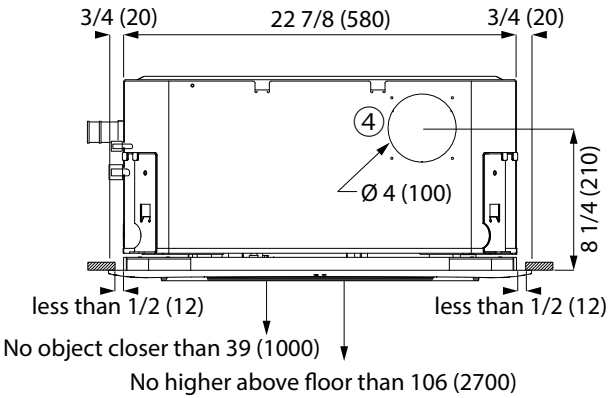
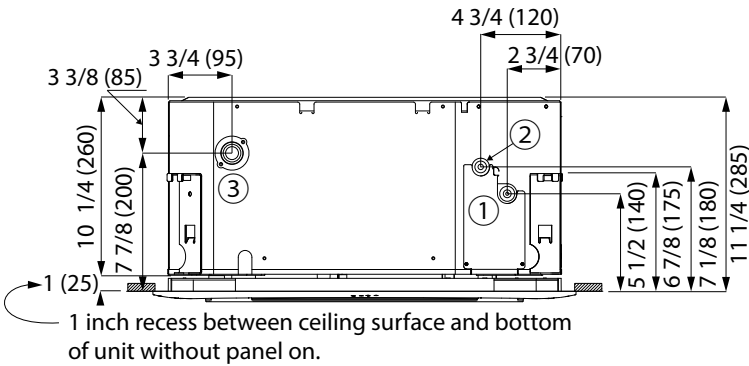
12000 BTU/HR CASSETTE TYPE INDOOR AB12SC2VHA



#	Part Name
1	Vapor Pipe
2	Liquid Pipe
3	Drain Pump Outlet
4	Fresh Air Inlet
5	Air Return Grille
6	Air Supply



More than 59 (1500) to wall on all sides





ENDURE MULTI SERIES SUBMITTAL

18000 BTU/HR CASSETTE TYPE INDOOR AB18SC2VHA

Job Name: _____
 Purchaser: _____
 Submitted To: _____
 Construction: _____
 Reference: _____

Approval: _____
 Date: _____
 Submitted By: _____
 Unit: _____
 Drawing #: _____



Electrical Requirement	
Power Supply	208/230V, 1 Phase, 60 HZ
Operating Voltage Range	187-253 VAC

Performance	
Rated Cooling Capacity	18,000 BTU
Rated Heating Capacity	19,000 BTU

Piping	
Flare Connections	Liquid: 1/4" Vapor: 1/2"

Indoor Unit	
Chassis Uncrated Dimension (HxWxD)	10 1/4 x 22 1/2 x 22 1/2 in (260 x 570 x 570 mm)
Chassis Crated (HxWxD)	15 x 28 1/4 x 26 3/4 in (380 x 718 x 680 mm)
Panel Uncrated Dimension (HxWxD)	2 3/8 x 27 1/2 x 27 1/2 in (60 x 700 x 700 mm)
Panel Crated (HxWxD)	4 1/2 x 29 1/8 x 29 1/2 in (115 x 740 x 750 mm)
Airflow CFM (Turbo/High/Med/Low/Quiet)	470/410/365/295/252
Indoor Sound Level dB (Turbo/High/Med/Low/Quiet)	45/42/40/36/32
Motor Rating (HP)	0.033
Heat Exchanger Fin Type	Blue Fin
Condensate Pump	Included - 47.2 in Lift
Weight (Ship/Net)	48.5/40.8 lbs

Accessories

Remote Controller

WJ01X24721 (YR-HG) ships with Cassette panel PB-700KB

Wired Controller

Compatible with ACT17CWA

Panel

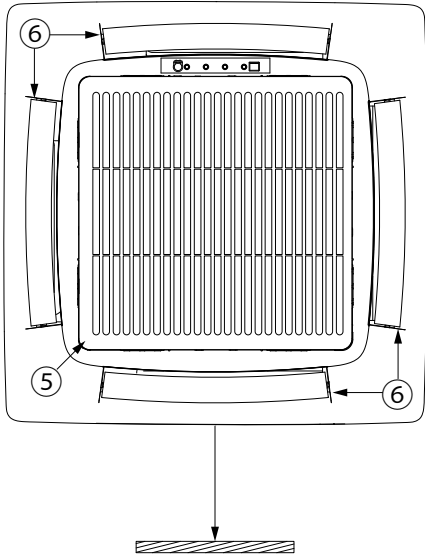
PB-700IB is required to complete the installation and it must be ordered separately



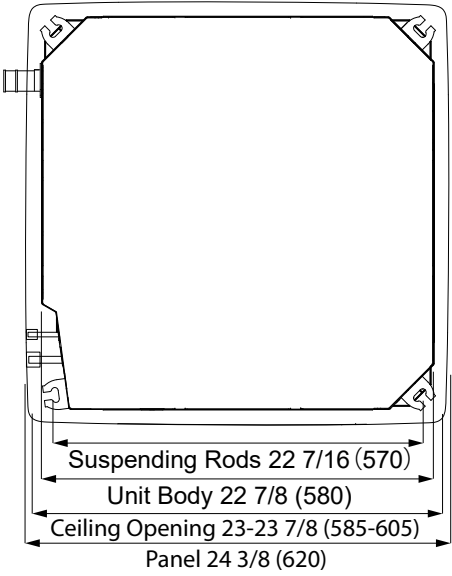


ENDURE MULTI SERIES SUBMITTAL

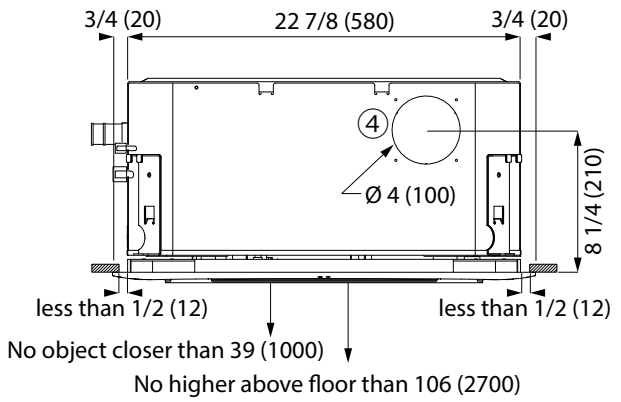
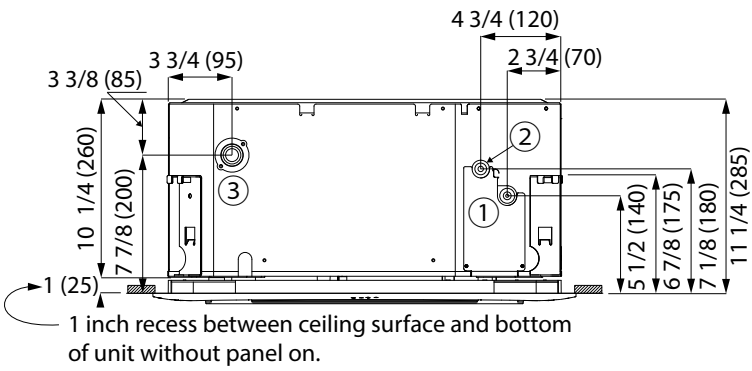
18000 BTU/HR CASSETTE TYPE INDOOR AB18SC2VHA



#	Part Name
1	Vapor Pipe
2	Liquid Pipe
3	Drain Pump Outlet
4	Fresh Air Inlet
5	Air Return Grille
6	Air Supply



More than 59 (1500) to wall on all sides





ENDURE MULTI SERIES SUBMITTAL

9000 BTU/HR MID-STATIC DUCTED INDOOR USYM09UCDSA

Job Name: _____
 Purchaser: _____
 Submitted To: _____
 Construction: _____
 Reference: _____

Approval: _____
 Date: _____
 Submitted By: _____
 Unit: _____
 Drawing #: _____



Electrical Requirement	
Power Supply	208/230V, 1 Phase, 60 HZ
Operating Voltage Range	187-253 VAC

Performance	
Rated Cooling Capacity	9,000 BTU
Rated Heating Capacity	10,000 BTU

Piping	
Flare Connections	Liquid: 1/4" Vapor: 3/8"
Drain Pipe	1 1/4"

Accessories

Wired Controller

Controller must be ordered separately. Compatible with ACT17CWA.

Built-in WiFi

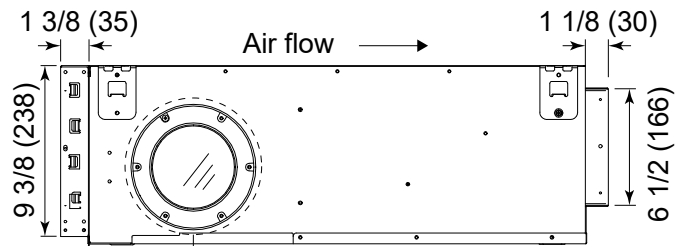
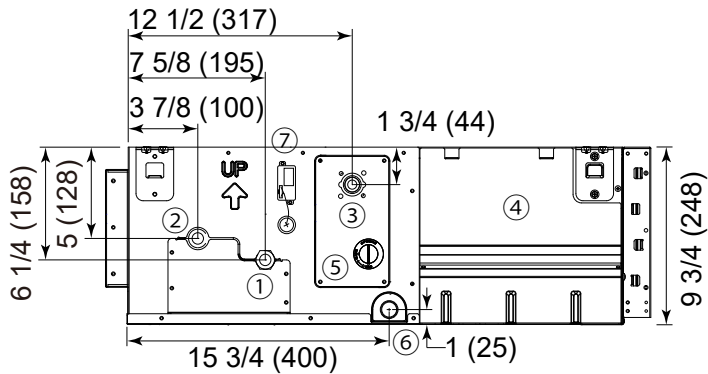
Indoor Unit	
Uncrated Dimension (HxWxD)	9 3/4 x 27 1/2 x 27 1/2 in (248 x 700 x 700 mm)
Crated (HxWxD)	13 1/4 x 37 1/2 x 35 1/2 in (340 x 950 x 900 mm)
Maximum ESP (IWC)	0.6
Airflow CFM (Turbo/High/Med/Low)	494/423/352/264
Indoor Sound Level dB (Turbo/High/Med/Low)	35/32/29/26
Motor Rating (HP)	0.18
Heat Exchanger Fin Type	Blue Fin
Condensate Pump	Included - 39 in. Lift
Weight (Ship/Net)	57/66 lbs



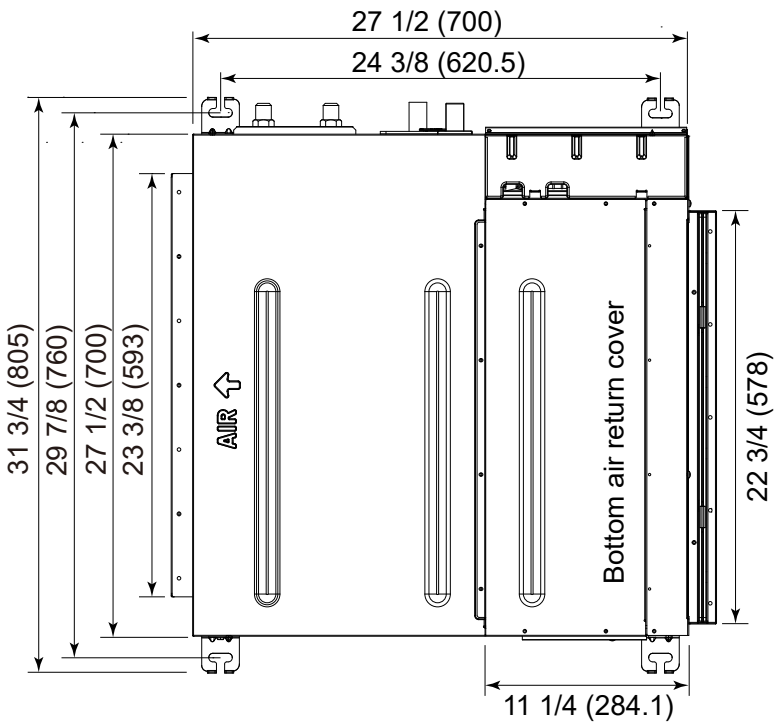
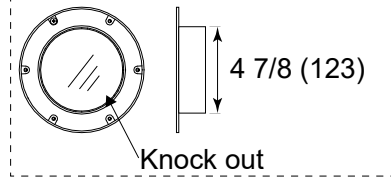


ENDURE MULTI SERIES SUBMITTAL

9000 BTU/HR MID-STATIC DUCTED INDOOR USYM09UCDSA



Reversible fresh air supply adapter



#	Description
1	Liquid pipe connection
2	Vapor pipe connection
3	Drain pump outlet
4	Control board cover
5	Inspection hole
6	Gravity drain outlet
7	WiFi module



ENDURE MULTI SERIES SUBMITTAL

12000 BTU/HR MID-STATIC DUCTED INDOOR USYM12UCDSA

Job Name: _____
 Purchaser: _____
 Submitted To: _____
 Construction: _____
 Reference: _____

Approval: _____
 Date: _____
 Submitted By: _____
 Unit: _____
 Drawing #: _____



Electrical Requirement	
Power Supply	208/230V, 1 Phase, 60 HZ
Operating Voltage Range	187-253 VAC

Performance	
Rated Cooling Capacity	12,000 BTU
Rated Heating Capacity	13,000 BTU

Piping	
Flare Connections	Liquid: 1/4" Vapor: 3/8"
Drain Pipe	1 1/4"

Accessories

Wired Controller

Controller must be ordered separately. Compatible with ACT17CWA.

Built-in WiFi

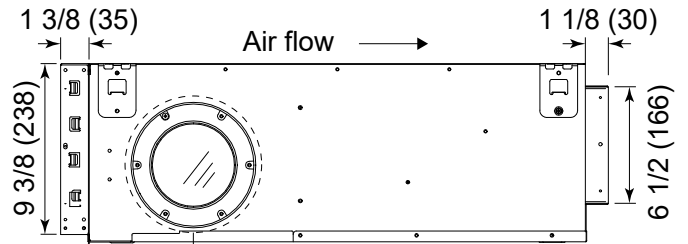
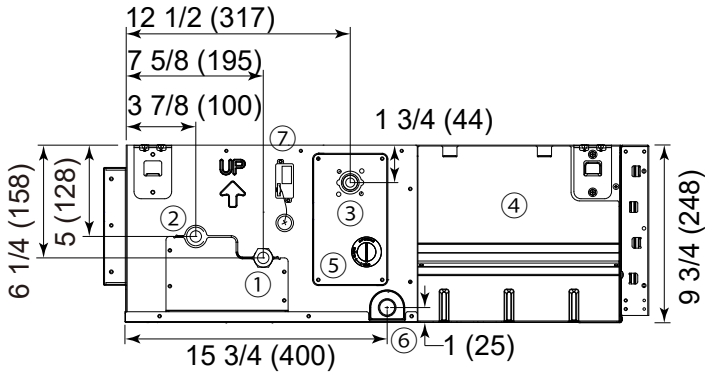
Indoor Unit	
Uncrated Dimension (HxWxD)	9 3/4 x 27 1/2 x 27 1/2 in (248 x 700 x 700 mm)
Crated (HxWxD)	13 1/4 x 37 1/2 x 35 1/2 in (340 x 950 x 900 mm)
Maximum ESP (IWC)	0.6
Airflow CFM (Turbo/High/Med/Low)	494/423/352/264
Indoor Sound Level dB (Turbo/High/Med/Low)	35/32/29/26
Motor Rating (HP)	0.18
Heat Exchanger Fin Type	Blue Fin
Condensate Pump	Included - 39 in. Lift
Weight (Ship/Net)	57/66 lbs



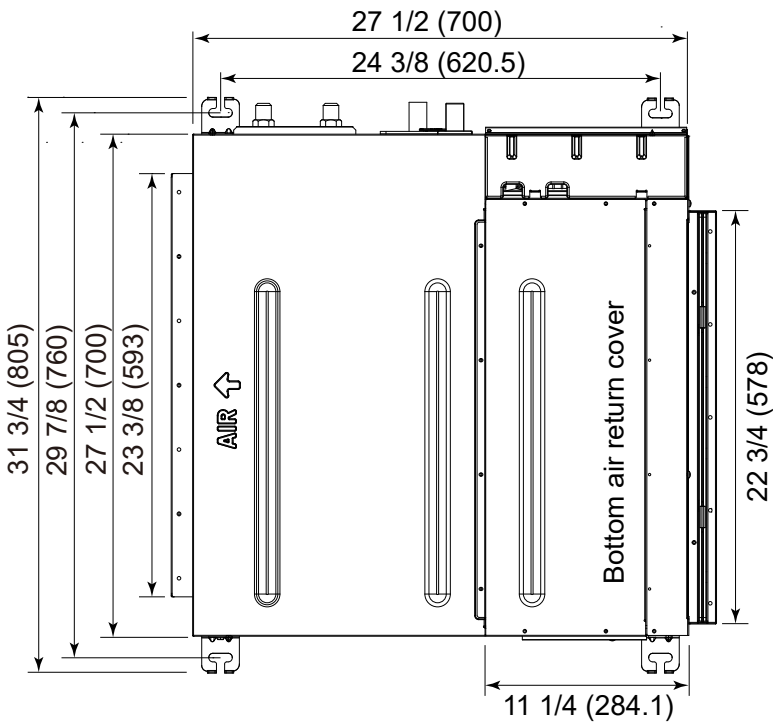
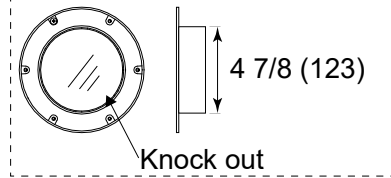


ENDURE MULTI SERIES SUBMITTAL

12000 BTU/HR MID-STATIC DUCTED INDOOR USYM12UCDSA



Reversible fresh air supply adapter



#	Description
1	Liquid pipe connection
2	Vapor pipe connection
3	Drain pump outlet
4	Control board cover
5	Inspection hole
6	Gravity drain outlet
7	WiFi module



ENDURE MULTI SERIES SUBMITTAL

18000 BTU/HR MID-STATIC DUCTED INDOOR USYM18UCDSA

Job Name: _____
 Purchaser: _____
 Submitted To: _____
 Construction: _____
 Reference: _____

Approval: _____
 Date: _____
 Submitted By: _____
 Unit: _____
 Drawing #: _____



Electrical Requirement	
Power Supply	208/230V, 1 Phase, 60 HZ
Operating Voltage Range	187-253 VAC

Performance	
Rated Cooling Capacity	18,000 BTU
Rated Heating Capacity	19,000 BTU

Piping	
Flare Connections	Liquid: 1/4" Vapor: 3/8"
Drain Pipe	1 1/4"

Indoor Unit	
Uncrated Dimension (HxWxD)	9 3/4 x 43 1/4 x 27 1/2 in (248 x 1100 x 700 mm)
Crated (HxWxD)	13 1/2 x 46 x 33 3/4 in (340 x 1170 x 860 mm)
Maximum ESP (IWC)	0.6
Airflow CFM (Turbo/High/Med/Low)	635/529/458/388
Indoor Sound Level dB (Turbo/High/Med/Low)	37/34/32/29
Heat Exchanger Fin Type	Blue Fin
Motor Rating (HP)	0.27
Condensate Pump	Included - 39 in. Lift
Weight (Ship/Net)	70/77 lbs

Accessories

Wired Controller

Controller must be ordered separately. Compatible with ACT17CWA.

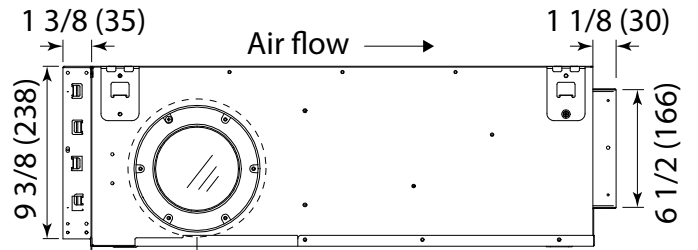
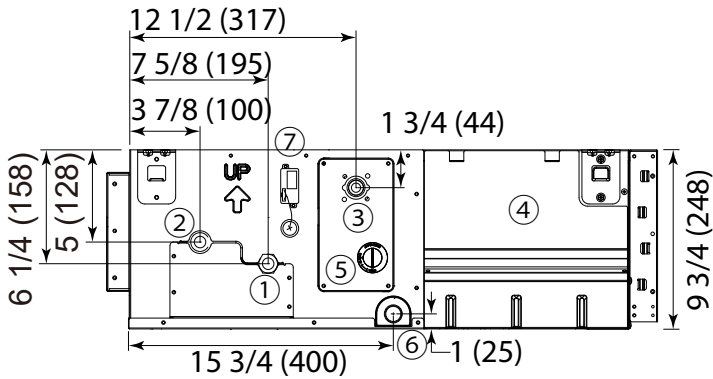
Built-in WiFi



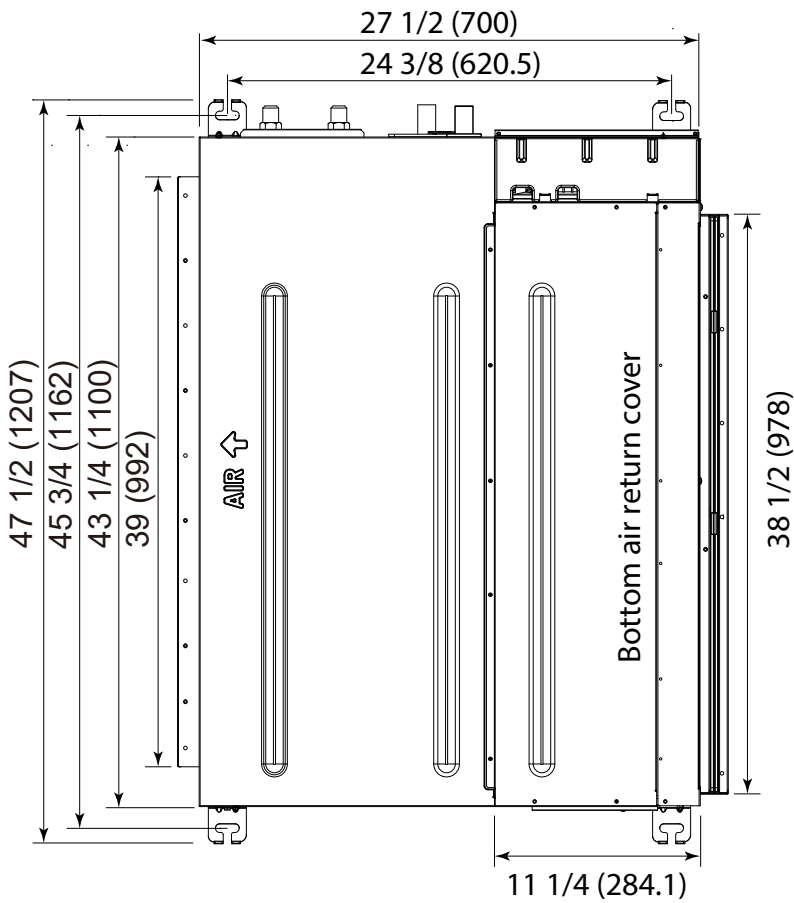
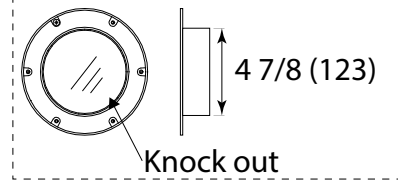


ENDURE MULTI SERIES SUBMITTAL

18000 BTU/HR MID-STATIC DUCTED INDOOR USYM18UCDSA



Reversible fresh air supply adapter



#	Description
1	Liquid pipe connection
2	Vapor pipe connection
3	Drain pump outlet
4	Control board cover
5	Inspection hole
6	Gravity drain outlet
7	WiFi module



ENDURE MULTI SERIES SUBMITTAL

24000 BTU/HR MID-STATIC DUCTED INDOOR USYM24UCDSA

Job Name: _____
 Purchaser: _____
 Submitted To: _____
 Construction: _____
 Reference: _____

Approval: _____
 Date: _____
 Submitted By: _____
 Unit: _____
 Drawing #: _____



Electrical Requirement	
Power Supply	208/230V, 1 Phase, 60 HZ
Operating Voltage Range	187-253 VAC

Performance	
Rated Cooling Capacity	24,000 BTU
Rated Heating Capacity	25,000 BTU

Piping	
Flare Connections	Liquid: 3/8" Vapor: 5/8"
Drain Pipe	1 1/4"

Indoor Unit	
Uncrated Dimension (HxWxD)	9 3/4 x 43 1/4 x 27 1/2 in (248 x 1100 x 700 mm)
Crated (HxWxD)	13 1/2 x 46 x 33 3/4 in (340 x 1170 x 860 mm)
Maximum ESP (IWC)	0.6
Airflow CFM (Turbo/High/Med/Low)	845/670/530/470
Indoor Sound Level dB (Turbo/High/Med/Low)	39/36/33/30
Motor Rating (HP)	0.27
Heat Exchanger Fin Type	Blue Fin
Condensate Pump	Included - 39 in. Lift
Weight (Ship/Net)	70/77 lbs

Accessories

Wired Controller

Controller must be ordered separately. Compatible with ACT17CWA.

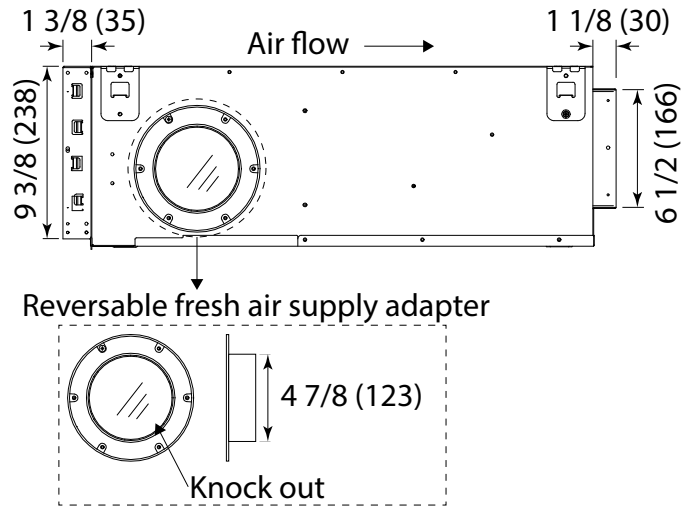
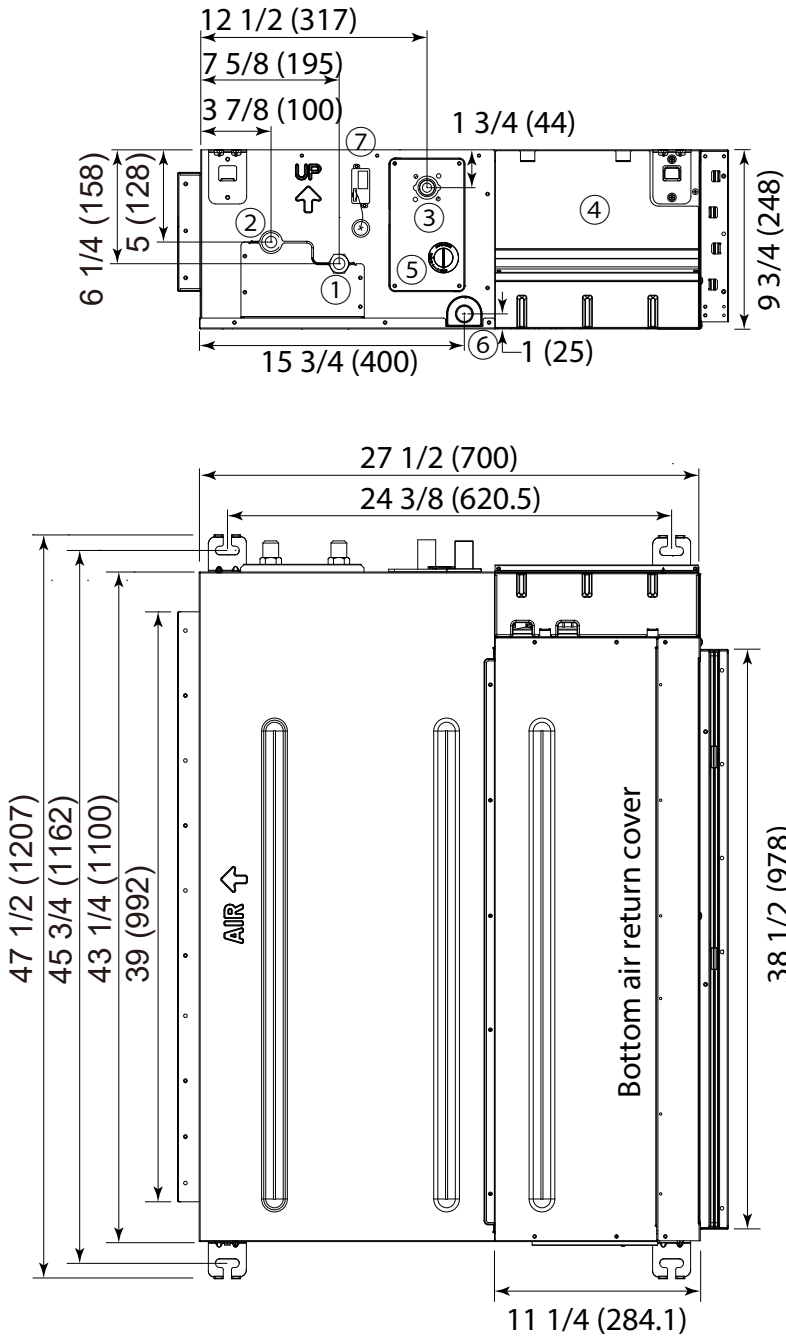
Built-in WiFi





ENDURE MULTI SERIES SUBMITTAL

24000 BTU/HR MID-STATIC DUCTED INDOOR USYM24UCDSA



#	Description
1	Liquid pipe connection
2	Vapor pipe connection
3	Drain pump outlet
4	Control board cover
5	Inspection hole
6	Gravity drain outlet
7	WiFi module



ENDURE MULTI SERIES SUBMITTAL

9000 BTU/HR FLOOR CONSOLE INDOOR USYF09UCDWA

Job Name: _____
 Purchaser: _____
 Submitted To: _____
 Construction: _____
 Reference: _____

Approval: _____
 Date: _____
 Submitted By: _____
 Unit: _____
 Drawing #: _____



Indoor Unit	
Uncrated Dimension (HxWxD)	23 3/4 x 27 1/2 x 8 1/4 in (600 x 700 x 210 mm)
Crated (HxWxD)	27 1/2 x 30 3/4 x 12 in (695 x 783 x 303 mm)
Airflow CFM (Turbo/High/Med/Low)	264/235/205/176
Indoor Sound Level dB (Turbo/High/Med/Low)	40/32/25/20
Motor Rating (HP)	0.04
Heat Exchanger Fin Type	Blue Fin
Weight (Ship/Net)	36/40 lbs

Electrical Requirement	
Power Supply	208/230V, 1 Phase, 60 HZ
Operating Voltage Range	187~253 VAC

Performance	
Rated Cooling Capacity	9,000 BTU
Rated Heating Capacity	10,000 BTU

Piping	
Flare Connections	Liquid: 1/4" Vapor: 3/8"
Drain Pipe	5/8"

Accessories

Remote Controller

Ships with WJ01X24721 (YR-HG)

Wired Controller

Compatible with wired controllers YR-E16B and QACT17A

Built-in WiFi



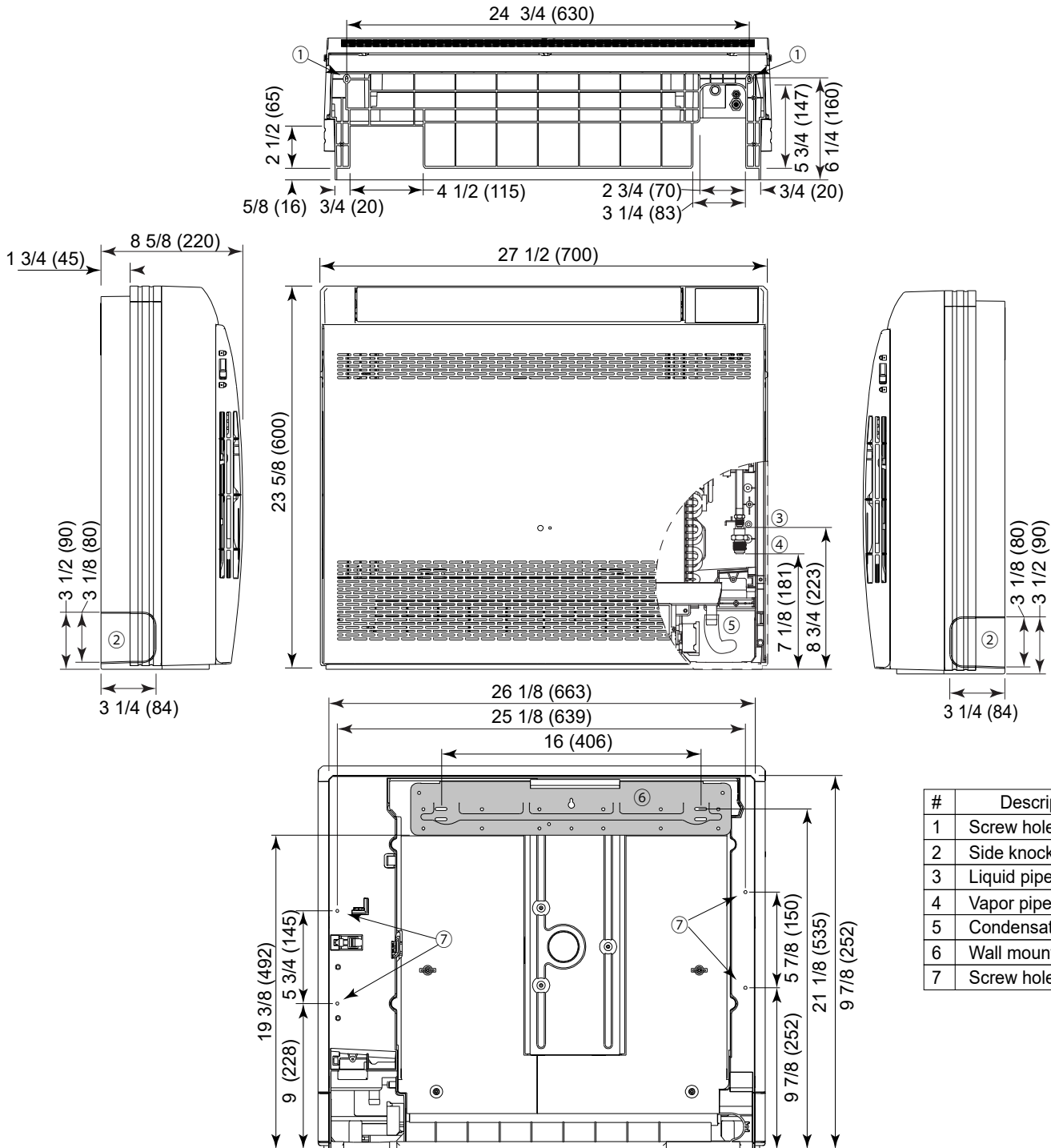
For more information visit us:
www.geappliances.com/ductless



GE APPLIANCES

ENDURE MULTI SERIES SUBMITTAL

9000 BTU/HR FLOOR CONSOLE INDOOR USYF09UCDWA



#	Description
1	Screw holes for floor install
2	Side knockout
3	Liquid pipe connection
4	Vapor pipe connection
5	Condensate drain
6	Wall mounting plate
7	Screw holes for wall install



ENDURE MULTI SERIES SUBMITTAL

12000 BTU/HR FLOOR CONSOLE INDOOR USYF12UCDWA

Job Name: _____
 Purchaser: _____
 Submitted To: _____
 Construction: _____
 Reference: _____

Approval: _____
 Date: _____
 Submitted By: _____
 Unit: _____
 Drawing #: _____



Indoor Unit	
Uncrated Dimension (HxWxD)	23 3/4 x 27 1/2 x 8 1/4 in (600 x 700 x 210 mm)
Crated (HxWxD)	27 1/2 x 30 3/4 x 12 in (695 x 783 x 303 mm)
Airflow CFM (Turbo/High/Med/Low)	294/264/235/176
Indoor Sound Level dB (Turbo/High/Med/Low)	42/34/26/21
Motor Rating (HP)	0.04
Heat Exchanger Fin Type	Blue Fin
Weight (Ship/Net)	36/40 lbs

Electrical Requirement	
Power Supply	208/230V, 1 Phase, 60 HZ
Operating Voltage Range	187~253 VAC

Performance	
Rated Cooling Capacity	12,000 BTU
Rated Heating Capacity	13,000 BTU

Piping	
Flare Connections	Liquid: 1/4" Vapor: 3/8"
Drain Pipe	5/8"

Accessories

Remote Controller

Ships with WJ01X24721 (YR-HG)

Wired Controller

Compatible with wired controllers YR-E16B and QACT17A

Built-in WiFi



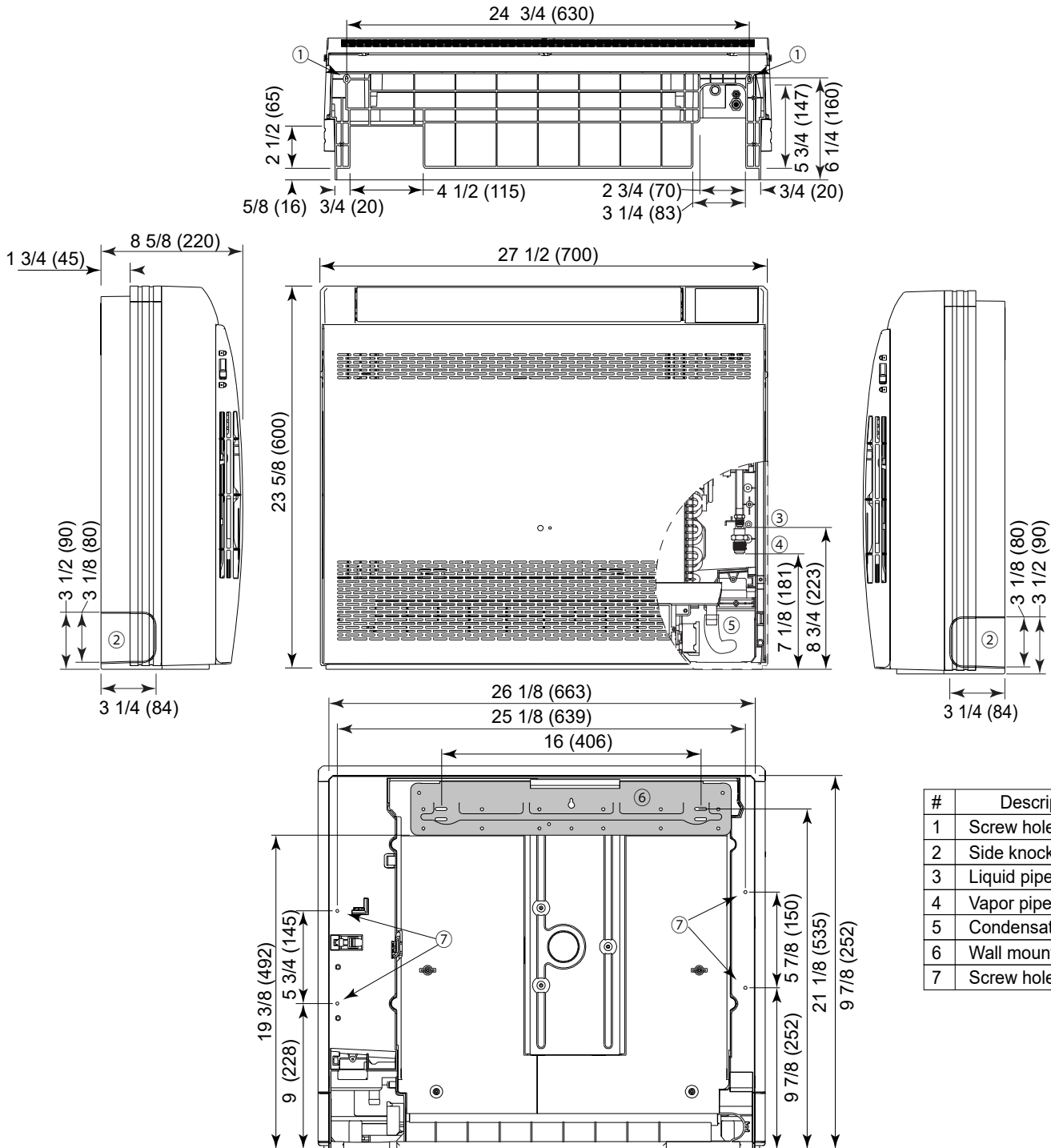
For more information visit us:
www.geappliances.com/ductless



GE APPLIANCES

ENDURE MULTI SERIES SUBMITTAL

12000 BTU/HR FLOOR CONSOLE INDOOR USYF12UCDWA



#	Description
1	Screw holes for floor install
2	Side knockout
3	Liquid pipe connection
4	Vapor pipe connection
5	Condensate drain
6	Wall mounting plate
7	Screw holes for wall install



ENDURE MULTI SERIES SUBMITTAL

15000 BTU/HR FLOOR CONSOLE INDOOR USYF15UCDWA

Job Name: _____
 Purchaser: _____
 Submitted To: _____
 Construction: _____
 Reference: _____

Approval: _____
 Date: _____
 Submitted By: _____
 Unit: _____
 Drawing #: _____



Indoor Unit	
Uncrated Dimension (HxWxD)	23 3/4 x 27 1/2 x 8 1/4 in (600 x 700 x 210 mm)
Crated (HxWxD)	27 1/2 x 30 3/4 x 12 in (695 x 783 x 303 mm)
Airflow CFM (Turbo/High/Med/Low)	341/311/282/252
Indoor Sound Level dB (Turbo/High/Med/Low)	46/37/33/28
Motor Rating (HP)	0.04
Heat Exchanger Fin Type	Blue Fin
Weight (Ship/Net)	36/40 lbs

Electrical Requirement	
Power Supply	208/230V, 1 Phase, 60 HZ
Operating Voltage Range	187~253 VAC

Performance	
Rated Cooling Capacity	15,000 BTU
Rated Heating Capacity	18,000 BTU

Piping	
Flare Connections	Liquid: 1/4" Vapor: 3/8"
Drain Pipe	5/8"

Accessories

Remote Controller

Ships with WJ01X24721 (YR-HG)

Wired Controller

Compatible with wired controllers YR-E16B and QACT17A

Built-in WiFi





GE APPLIANCES

ENDURE MULTI SERIES SUBMITTAL

15000 BTU/HR FLOOR CONSOLE INDOOR USYF15UCDWA

